

INSTALLATION MANUAL



Luxury Concealed Shower Set

1、 New installations

NOTE!!!

1. Supply lines should be purged to clean impurities before connecting the unit.
2. The hot water supply should be connected to the left and the cold water supply to the right, when viewed from the operating position. If this is not taken into account can cause permanent damage to the cartridge.
3. Screw connections and test for leaks.
4. Using a spirit level on the cams, the mixer align horizontally, vertically and parallel to the wall.
5. Warm reminder:
In the cold areas or the indoor temperature is less than 39°F in Winter, if no using the faucets for a long time, please turn off the inlet water valve and drain the remaining water inside the supply pipe, which can avoid the faucet damage caused by the expansion of the frozen water.

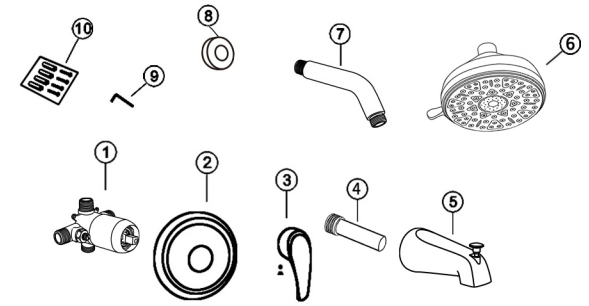
2、 Installation Preparation

1. Read the instructions carefully before installing.
2. The installation must be performed by a qualified person
3. Installation tools:



1

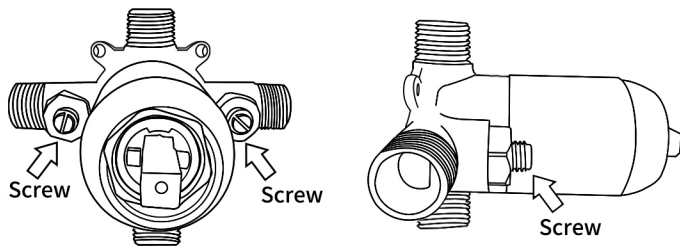
3、 Accessory list



No	Description	Qty
1	Pressure balanced valve	1
2	Cover board	1
3	Cartridge handle	1
4	Brass adapter	1
5	Tub spout	1
6	Shower head	1
7	Shower arm	1
8	Decorative cover	1
9	Allen-Key	1
10	Screws bag	1

2

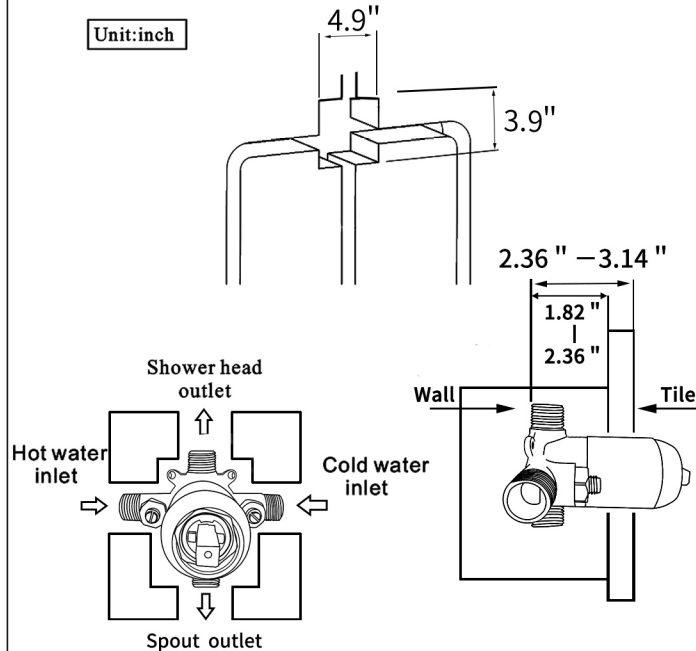
4、 Pressure-balanced valve



- 1.) The both side screws can be screwed deeper to adjust the water flow
- 2.) When the cartridge need to be change, just screw the screws deepest, so that you do not need to turn off the main switch of your water

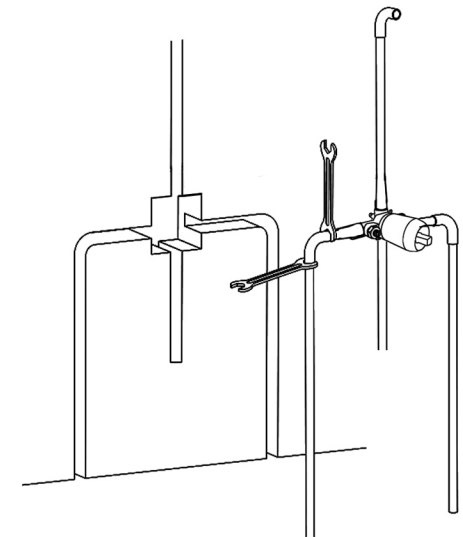
3

5、 Chiseling wall diagram



4

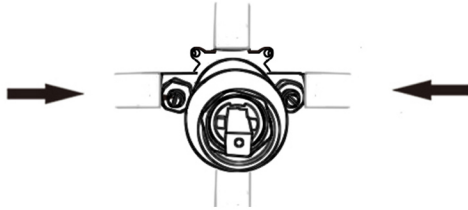
6、 Pipe-connection diagram



5

7、 Water test and leak detection

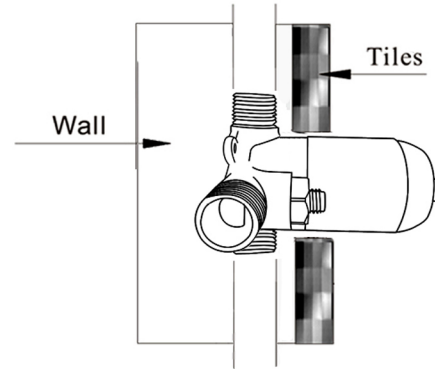
1. After connecting all pipes, please dis-assembling the plastic protection cover, and switch on/off the cartridge, check all connections without any leakage, and all connections connecting to the required functional outlets.
2. Re-install the plastic protection cover to the valve.



6

8、 Wall tiling program

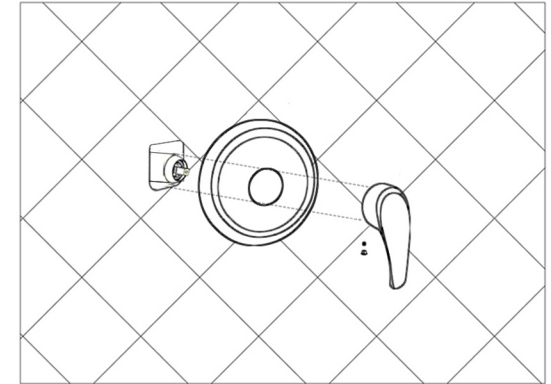
1. Use a parallel ruler to make sure the wall and valve being parallel.



7

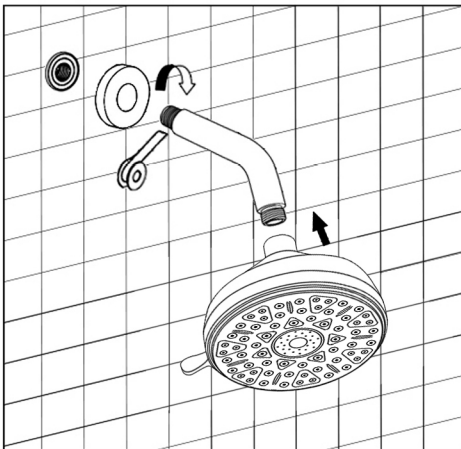
9、 Cover and handle installation

1. Take off the plastic protection cover.
2. Put the cover board on the valve and tighten the handle firmly.



8

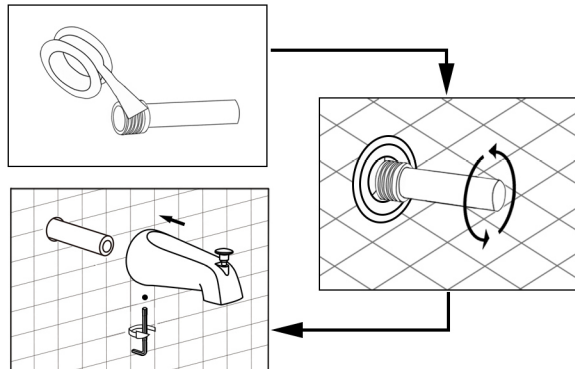
10、 Shower installation



1. Wrap some teflon tape on the shower arm connector, then insert the shower arm to flange and water pipe connector.
2. Screw shower head to shower arm.

9

11、 Spout installation



- 1: Wrapped some teflon tape on the thread of the adapter.
- 2: Screw the brass adapter into the pipe connector, and then insert spout and tighten the screw under the tub spout.

10

12、 Important notice

1. If must taken the cartridge off, please make sure the blue D-shape washers still on the cartridge!

13、 Cleaning & Maintenance

1. Flush with clean water & dry with soft cloth only.
2. If any dirt, clean with soft liquid or transparent glass detergent.
3. Do not use any scrubbing detergent, polisher, sand-cloth, paper tissue or scraper.
4. Do not use acid detergent, insoluble & grain-like detergent or soap.

11