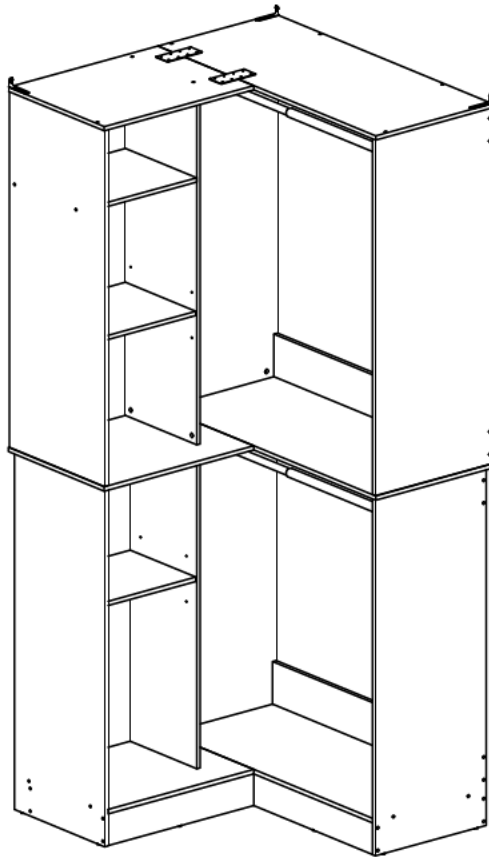


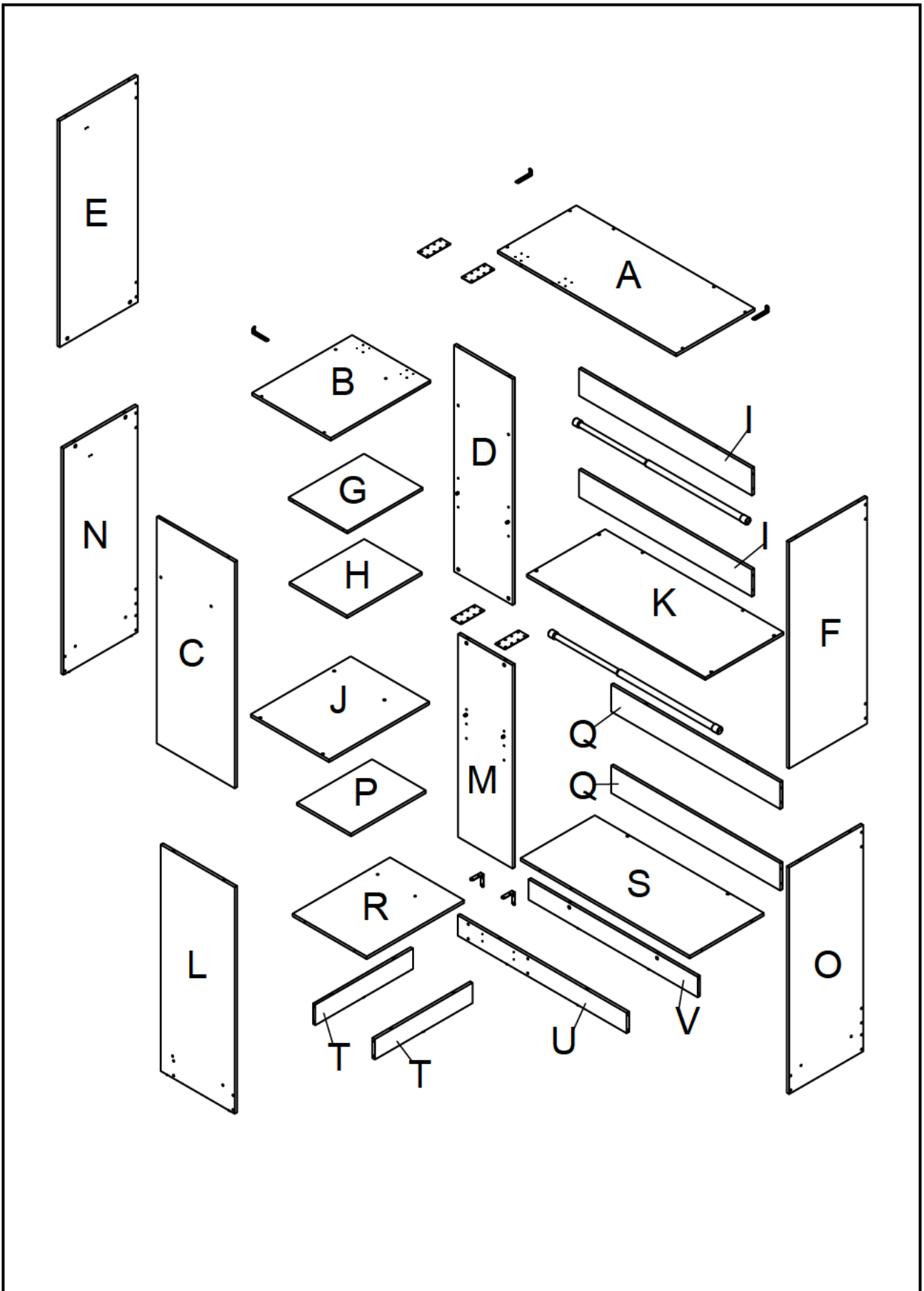
# ***Corner Closet System with Shelves***

## **Assembly Instructions**

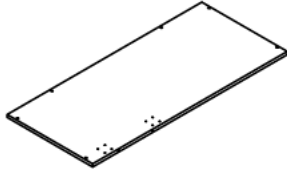
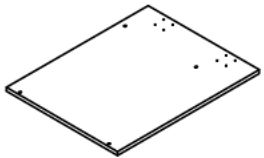
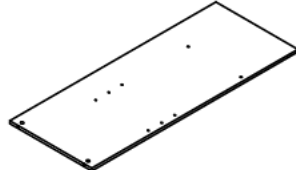
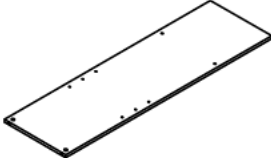
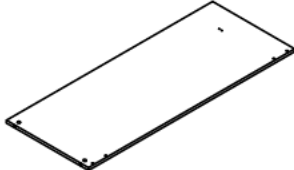

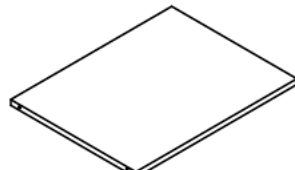
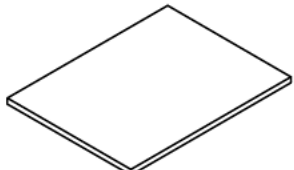
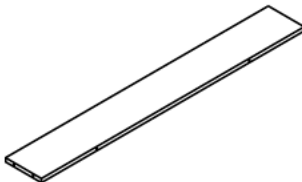
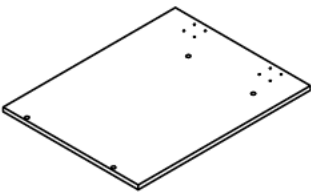
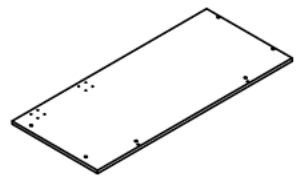
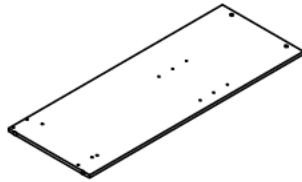
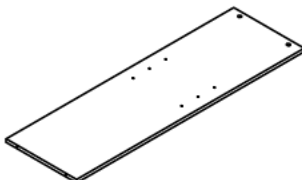
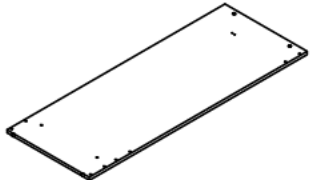

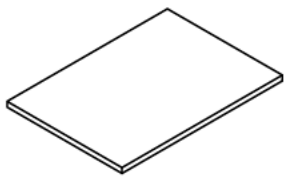

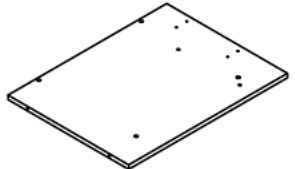
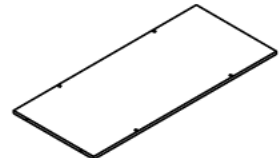
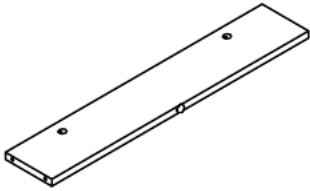
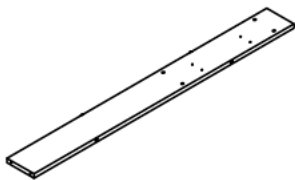
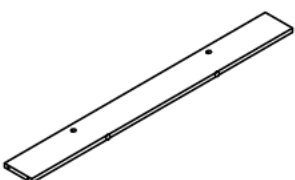


**Attention:** Please ensure you have all parts before commencing assembly.  
Please read all the instructions before commencing.

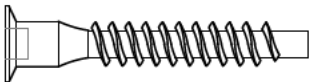
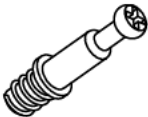






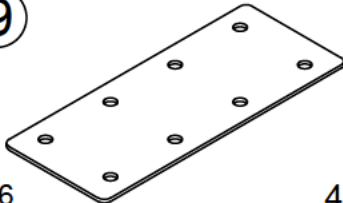
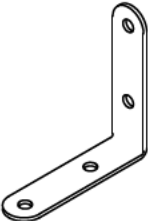



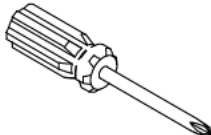

PART LIST



**PART LIST**

<p><b>A x 1pc</b></p> 	<p><b>B x 1pc</b></p> 	<p><b>C x 1pc</b></p> 	<p><b>D x 1pc</b></p> 
<p><b>E x 1pc</b></p> 	<p><b>F x 1pc</b></p> 	<p><b>G x 1pc</b></p> 	<p><b>H x 1pc</b></p> 
<p><b>I x 2pcs</b></p> 	<p><b>J x 1pc</b></p> 	<p><b>K x 1pc</b></p> 	<p><b>L x 1pc</b></p> 
<p><b>M x 1pc</b></p> 	<p><b>N x 1pc</b></p> 	<p><b>O x 1pc</b></p> 	<p><b>P x 1pc</b></p> 
<p><b>Q x 2pcs</b></p> 	<p><b>R x 1pc</b></p> 	<p><b>S x 1pc</b></p> 	<p><b>T x 2pcs</b></p> 
<p><b>U x 1pc</b></p> 	<p><b>V x 1pc</b></p> 		

## HARDWARE LIST

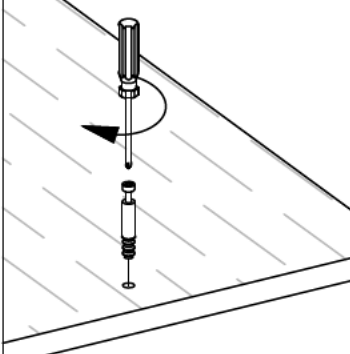
<b>1</b>  M6x40 56 pcs	<b>2</b>  M6x28 28 pcs	<b>3</b>  Ø12 28 pcs
<b>4</b>  M6x30 6 pcs	<b>5</b>  M4x12 8 pcs	<b>6</b>  56-101cm 2 pcs
<b>7</b>  2 pcs	<b>8</b>  2 pcs	<b>9</b>  M6 4 pcs
<b>10</b>  M6 2 pcs	<b>11</b>  M3.5x12 40 pcs	<b>12</b>  M4x40 3 pcs
<b>13</b>  Ø7x19 8 pcs	<b>14</b>  1 pc	<b>15</b>  M4 1 pc

\*Please count and verify all parts before assembly.\*

# How to install Camlocks

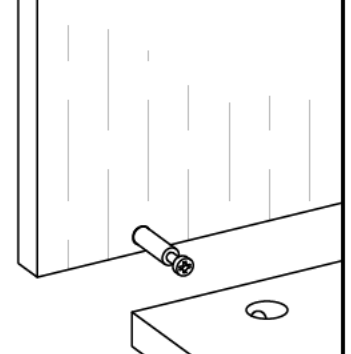
Connect the male camlock as directed in the assembly instructions with a screwdriver.

**1** DO NOT OVER TIGHTEN



Put the male camlock into the entry hole.

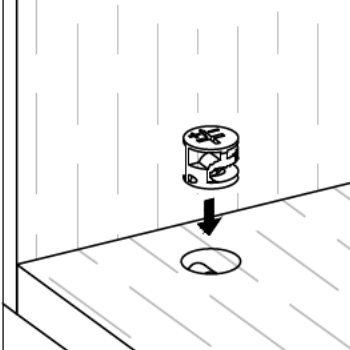
**2**



Insert the female camlock as shown in the instruction.

Note: ensure that the arrow on the top of the camlock points toward the entry hole for the male camlock.

**3**

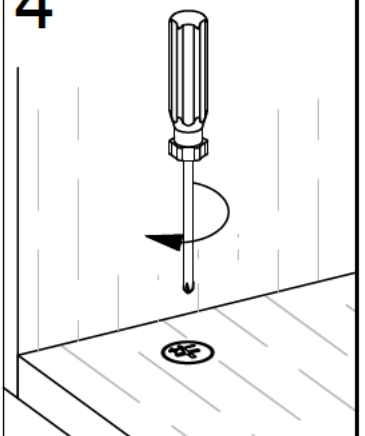


Screw the female camlock clockwise with a screwdriver.

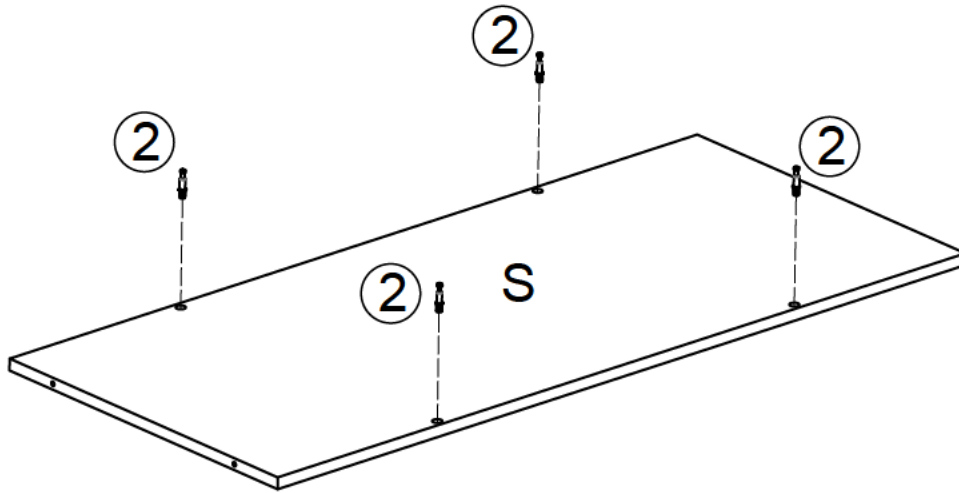
You will feel a click when the camlock is locked in place.

The camlock is now completed.

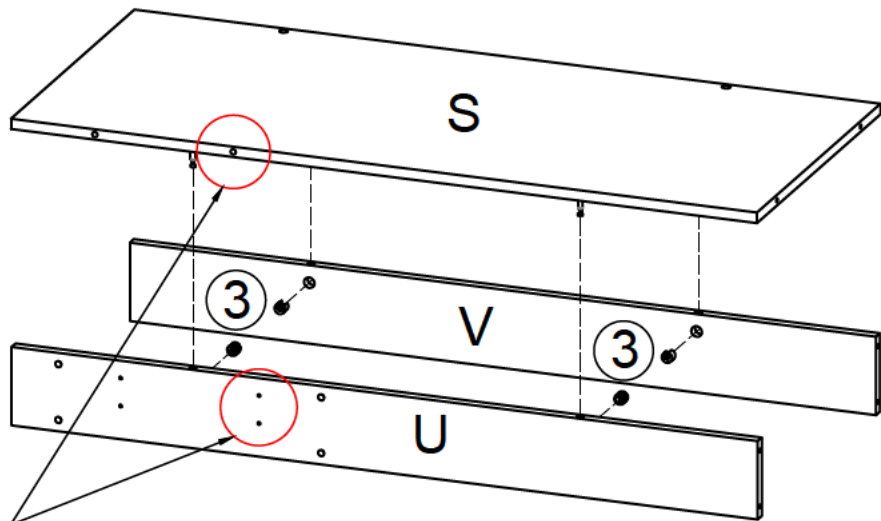
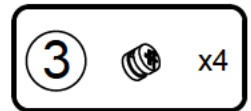
**4**



## STEP 1

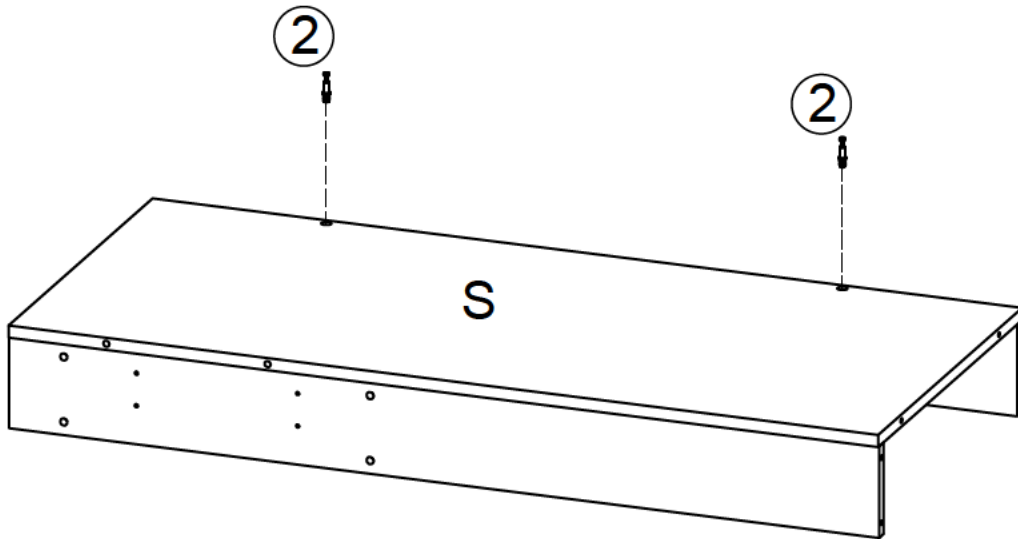
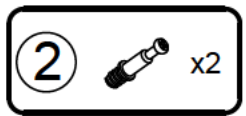


## STEP 2

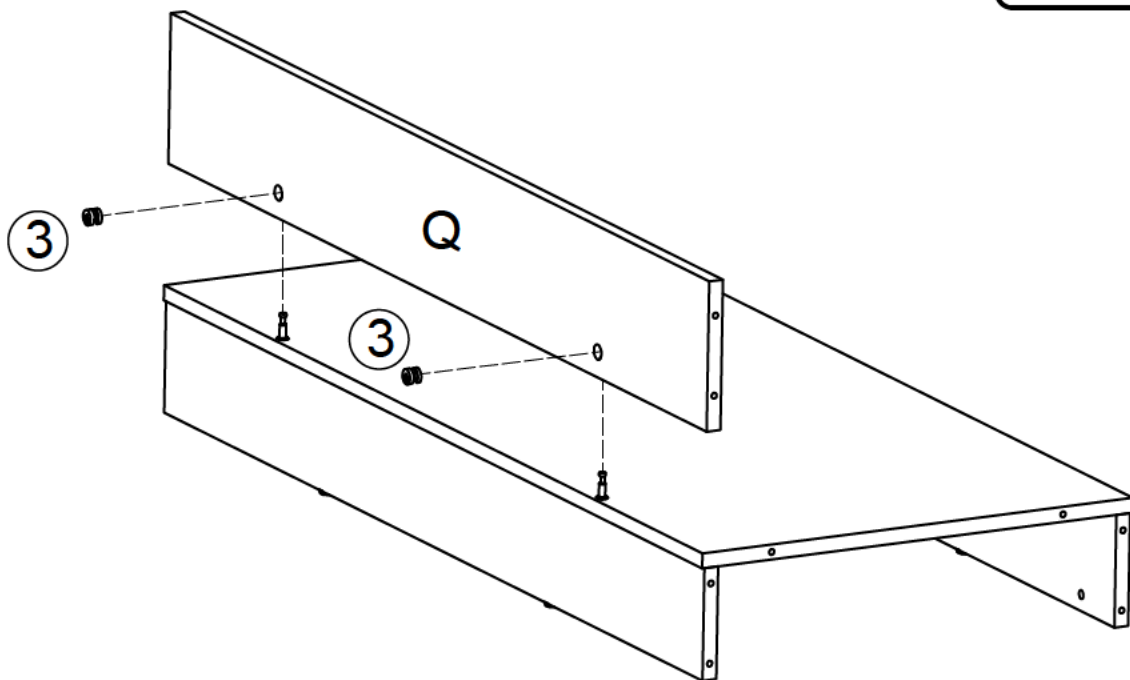
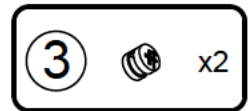


*Keep the holes of the Part S  
and Part U toward this  
direction as shown*

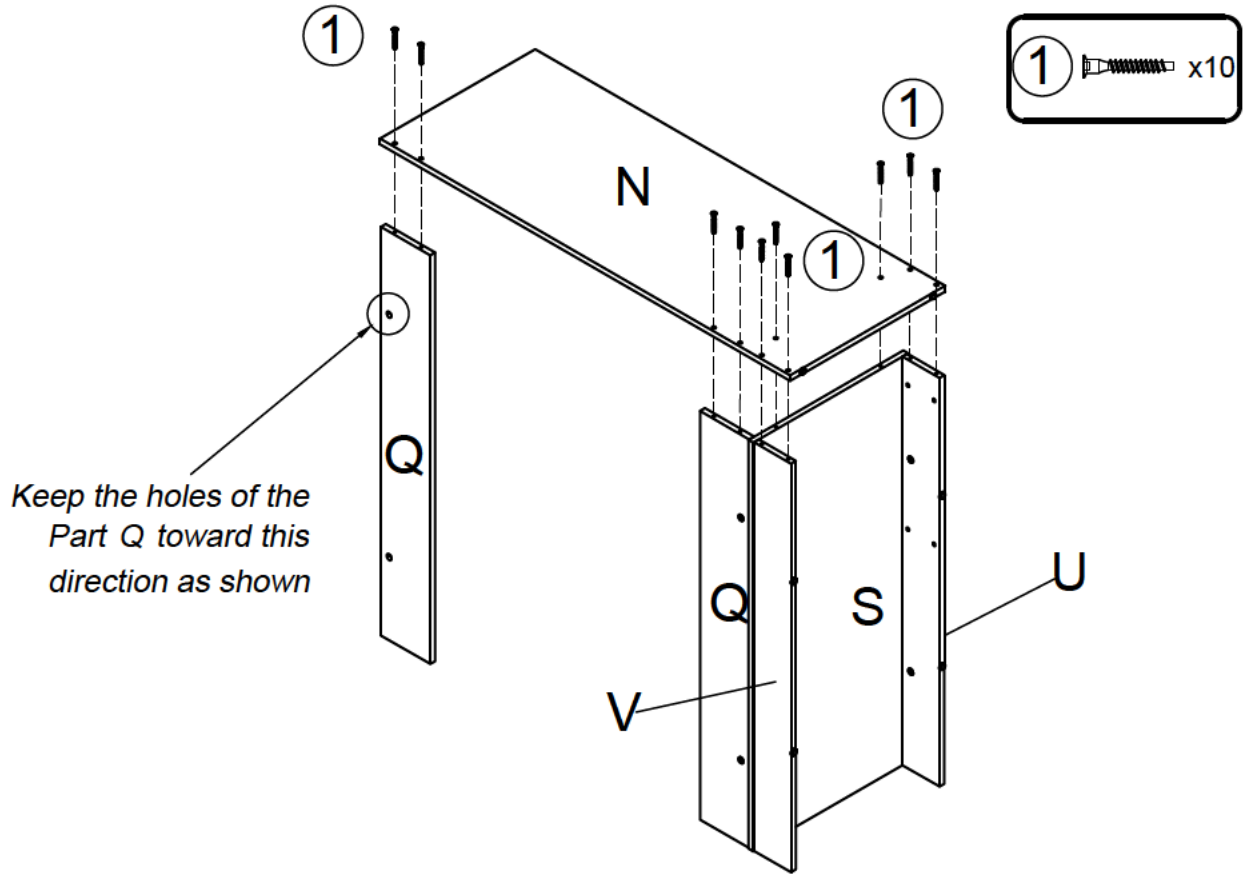
### STEP 3



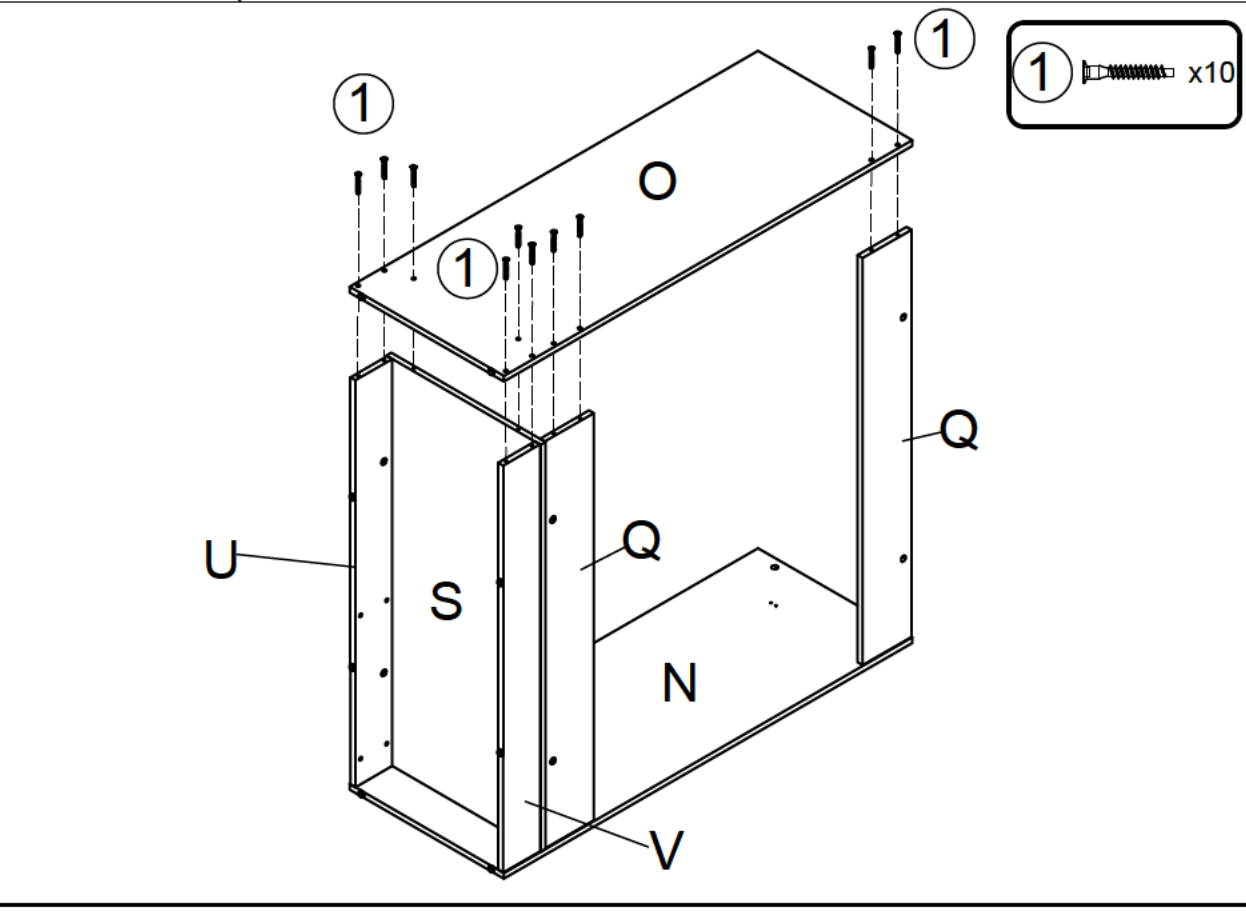
### STEP 4



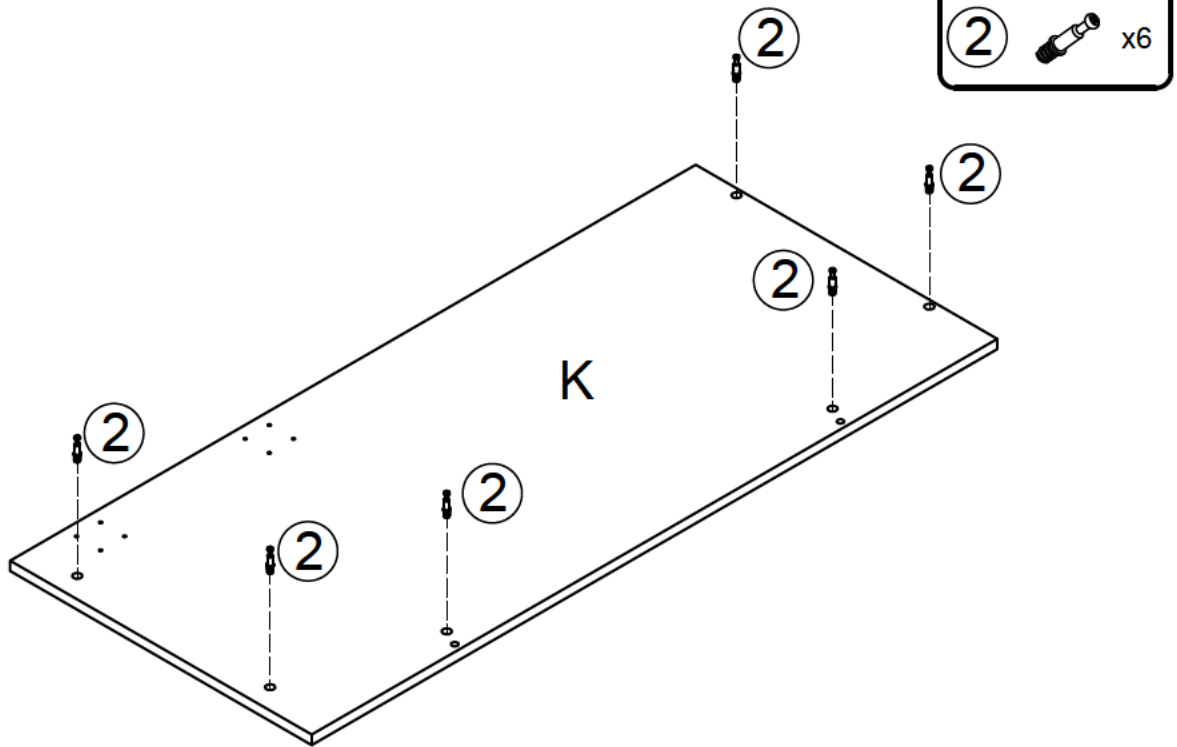
### STEP 5



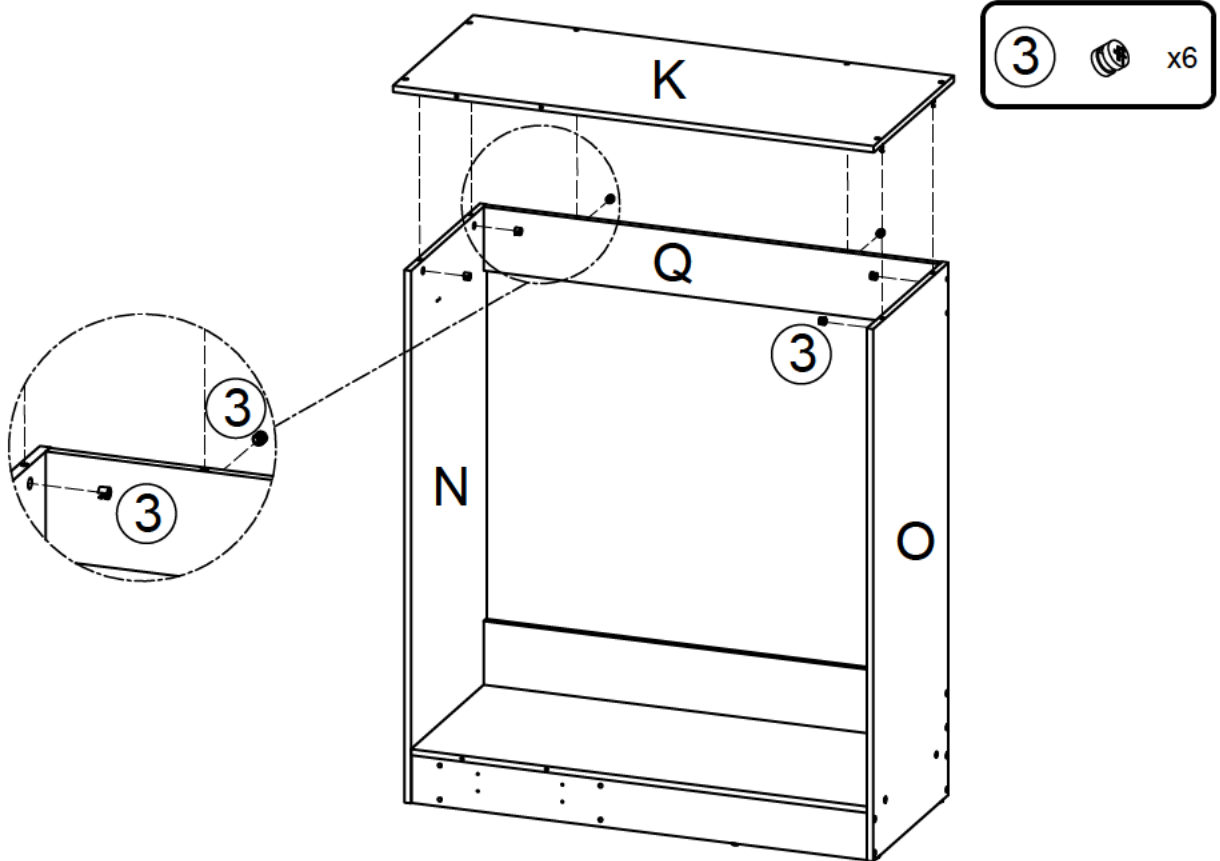
### STEP 6



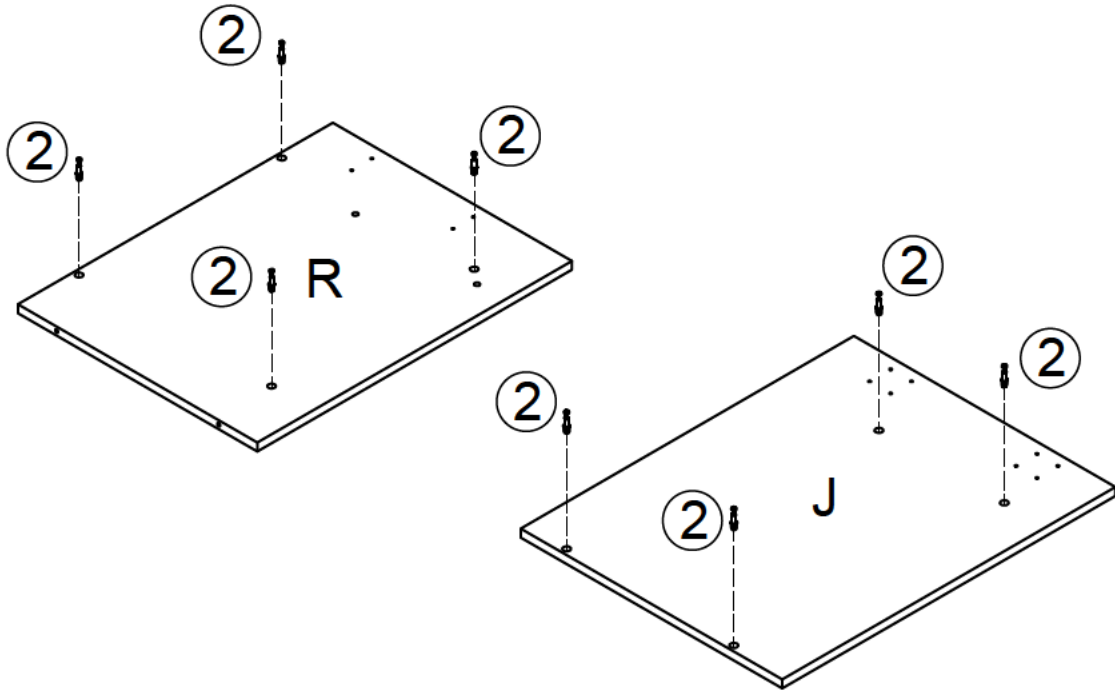
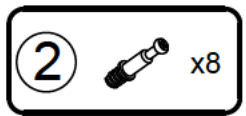
### STEP 7



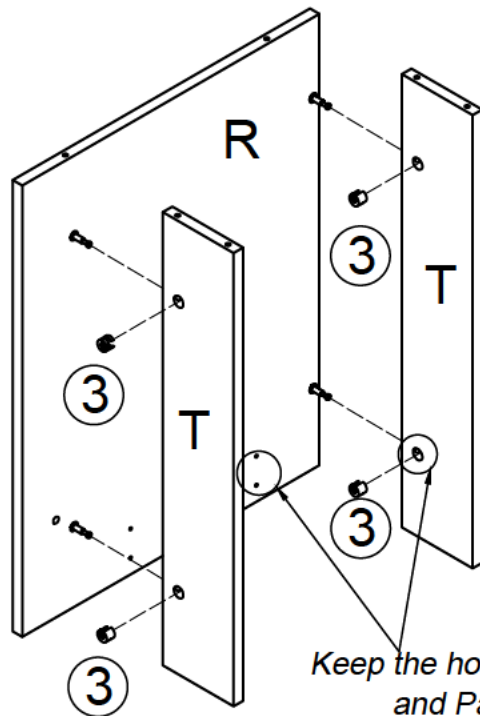
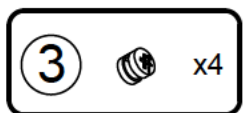
### STEP 8



### STEP 9

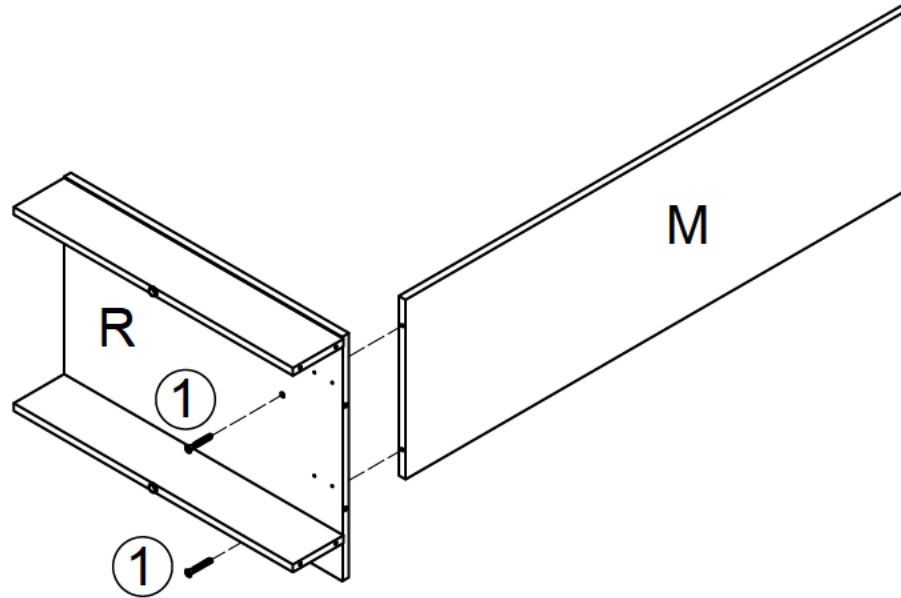
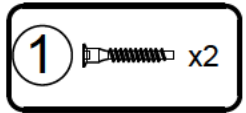


### STEP 10

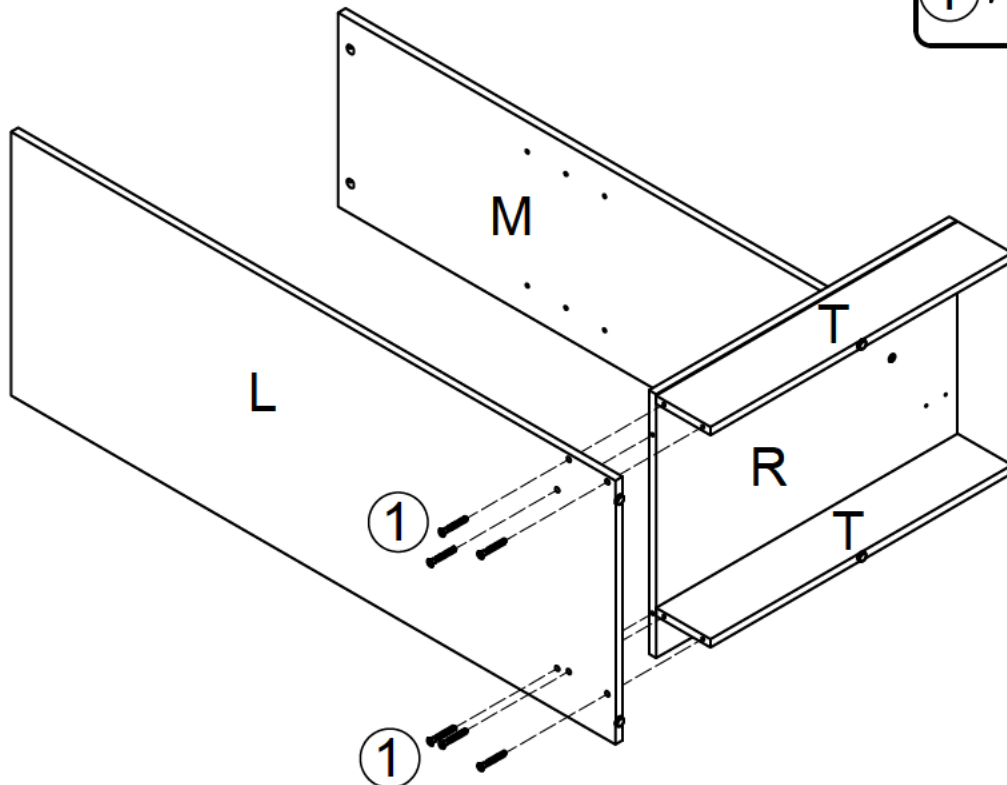
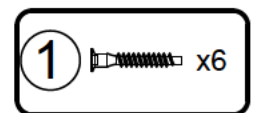


Keep the holes of the Part R  
and Part T toward this  
direction as shown

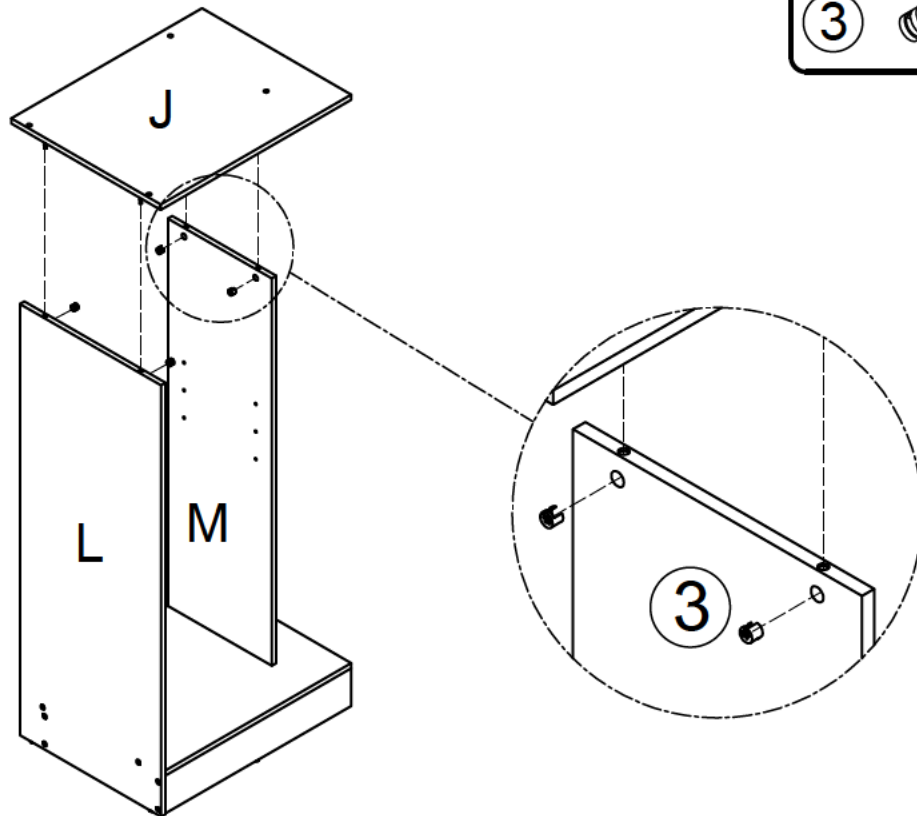
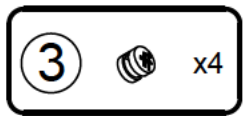
### STEP 11



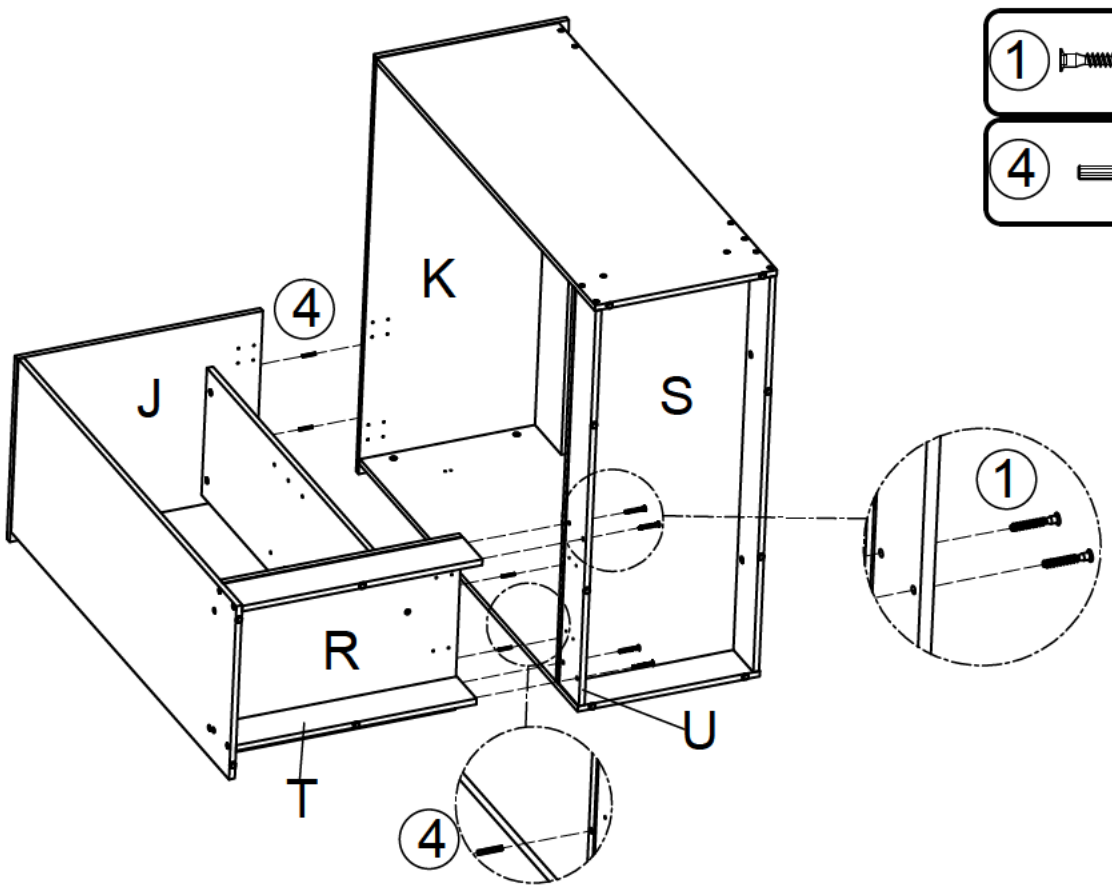
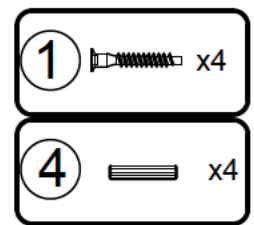
### STEP 12



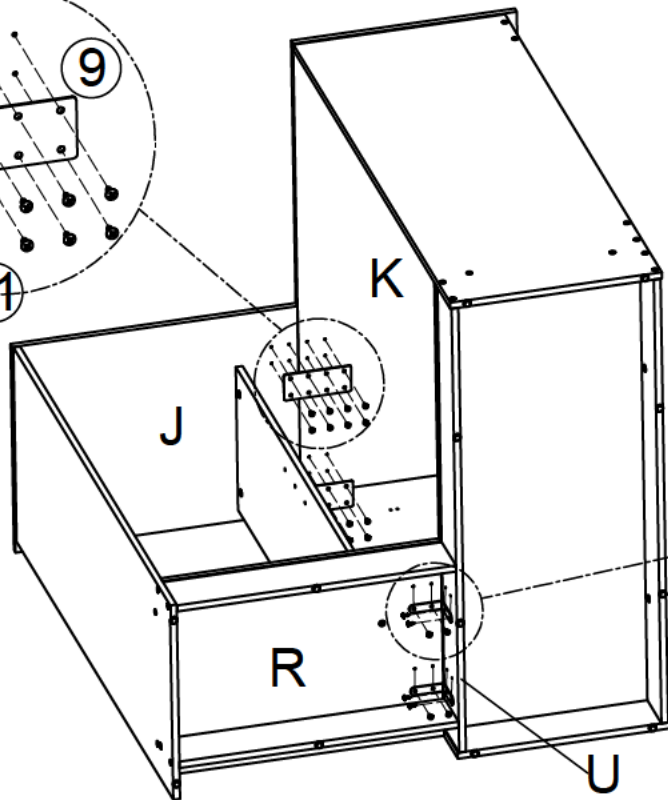
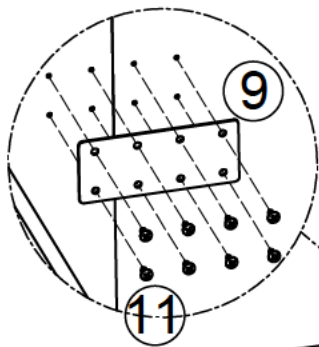
### STEP 13



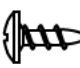


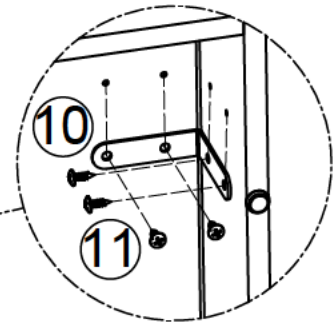
### STEP 14



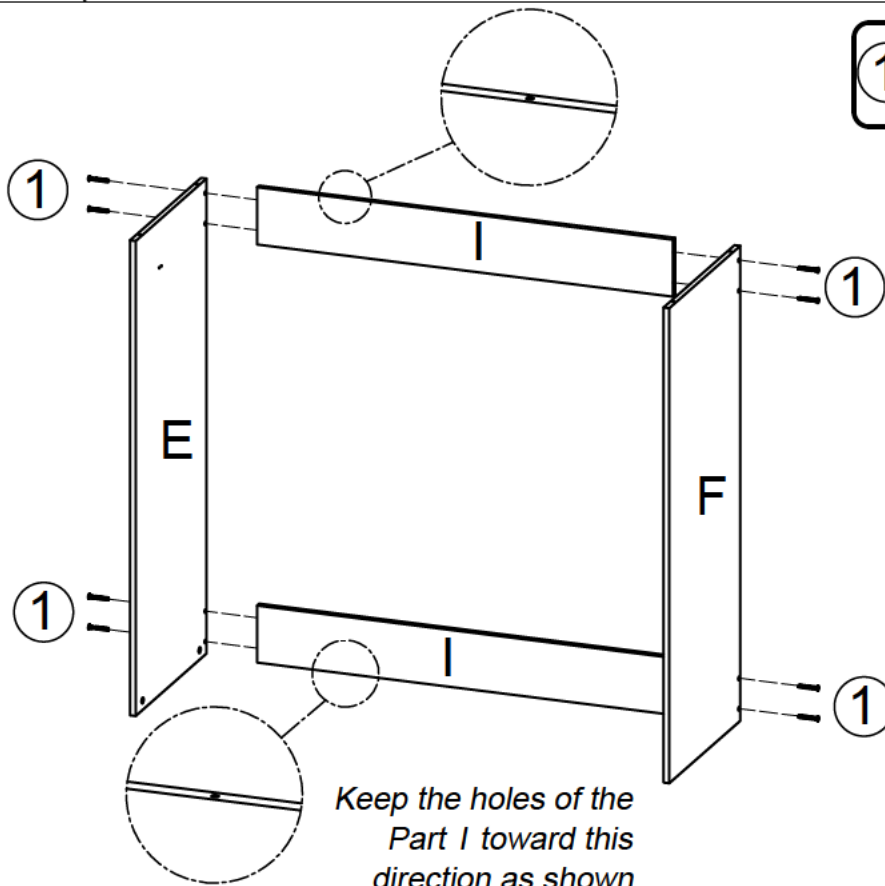
### STEP 15




- 9  x2
- 10  x2
- 11  x24



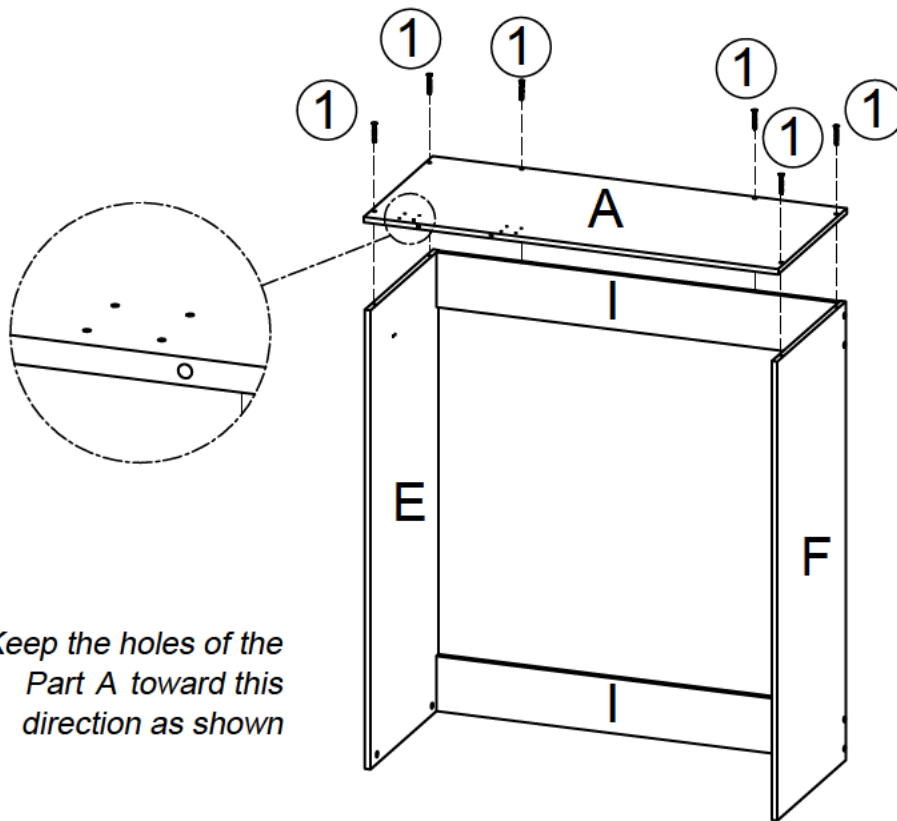
### STEP 16



- 1  x8

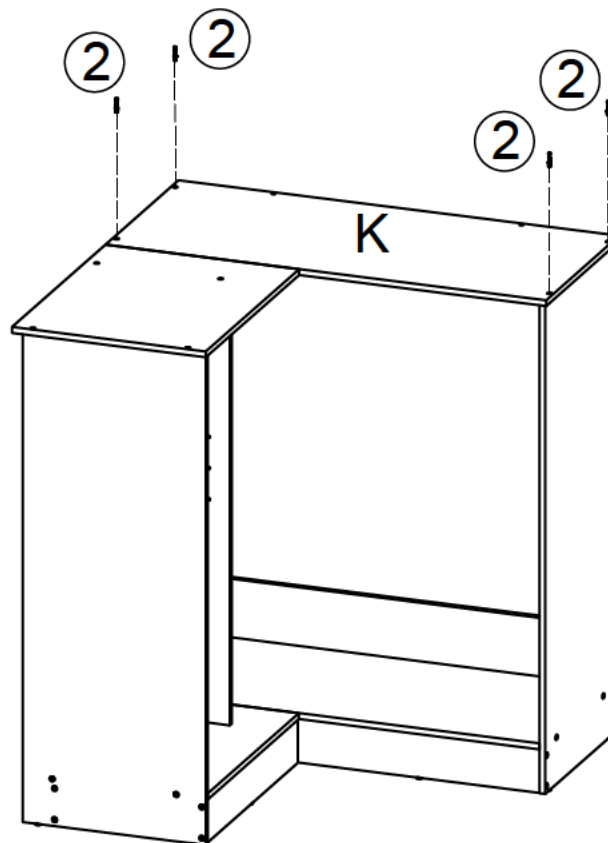
Keep the holes of the Part I toward this direction as shown

### STEP 17

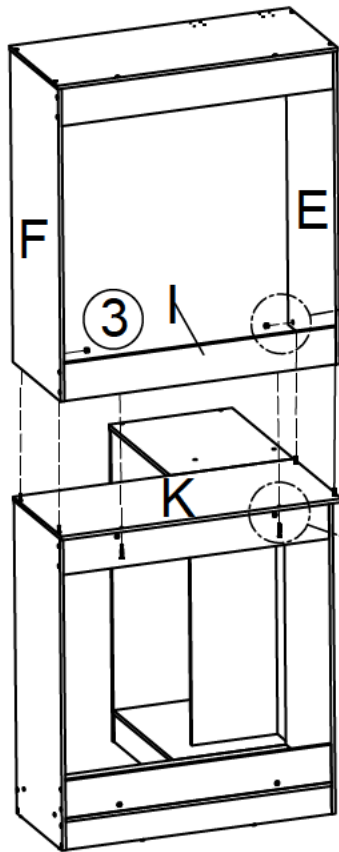


*Keep the holes of the Part A toward this direction as shown*

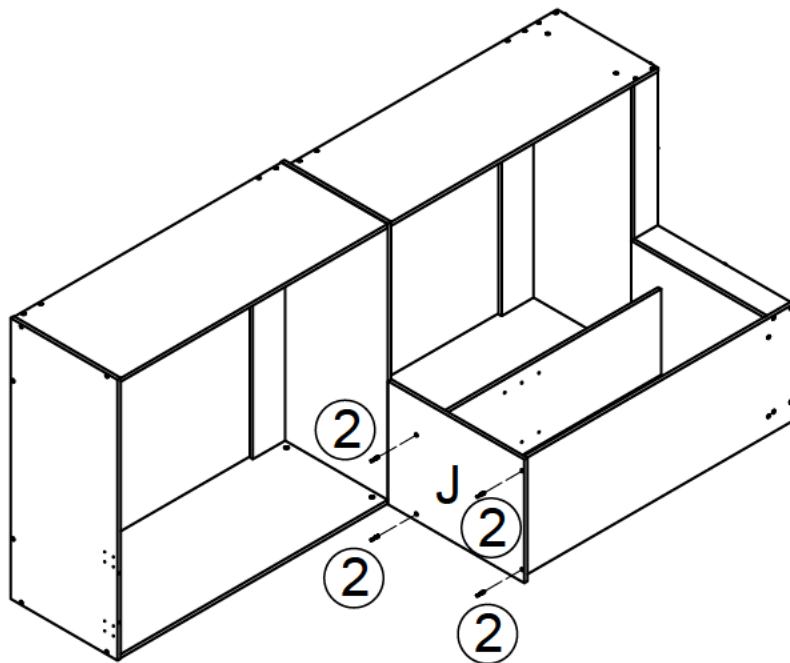
### STEP 18



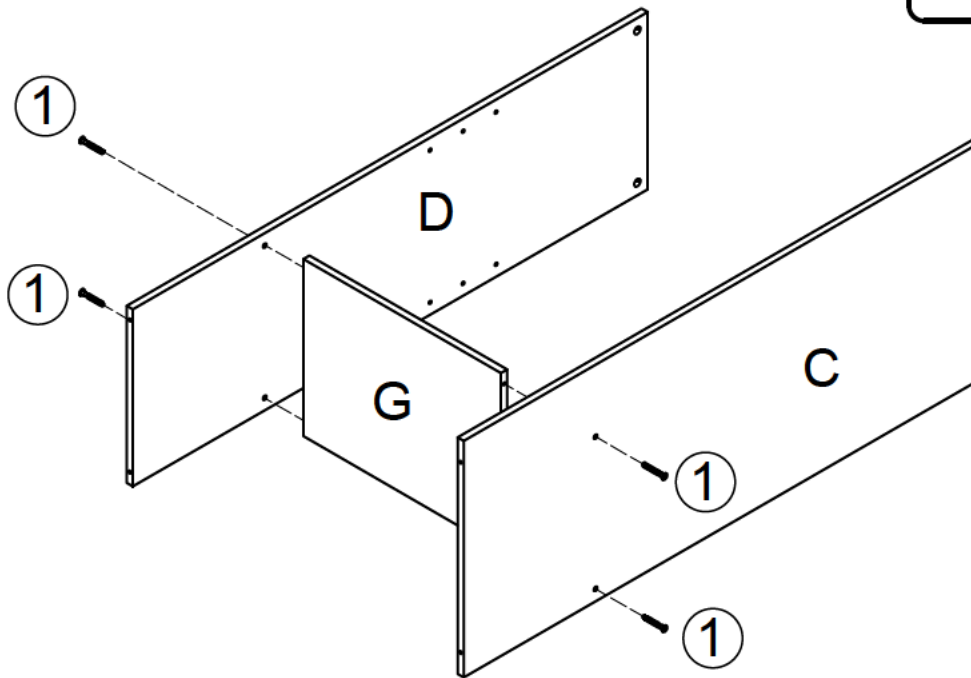
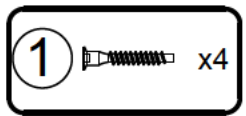
### STEP 19



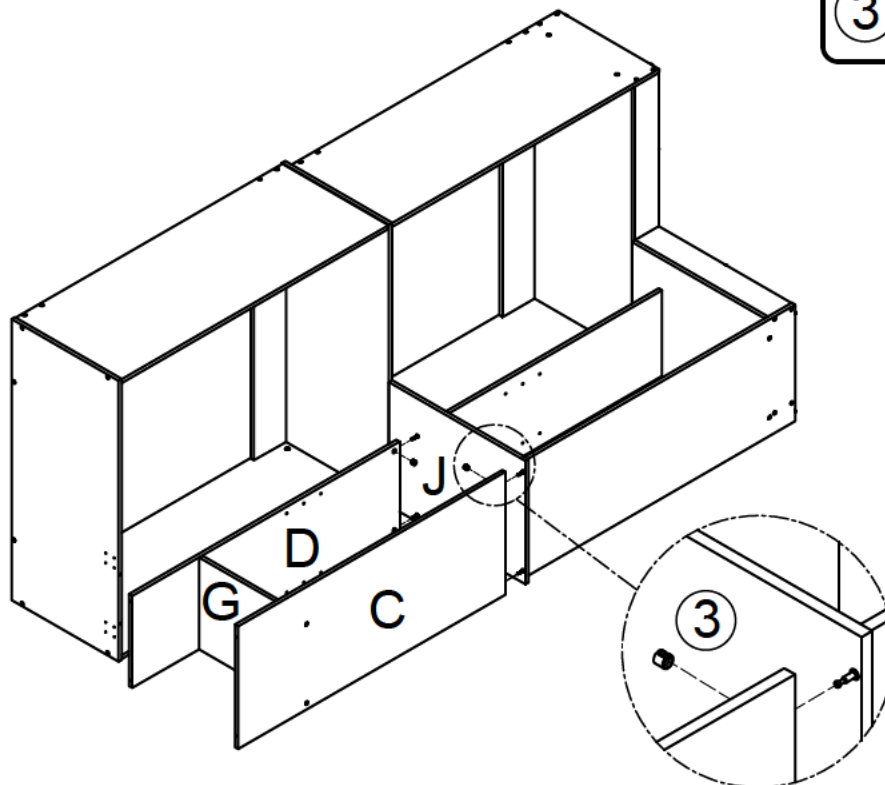
### STEP 20




### STEP 21

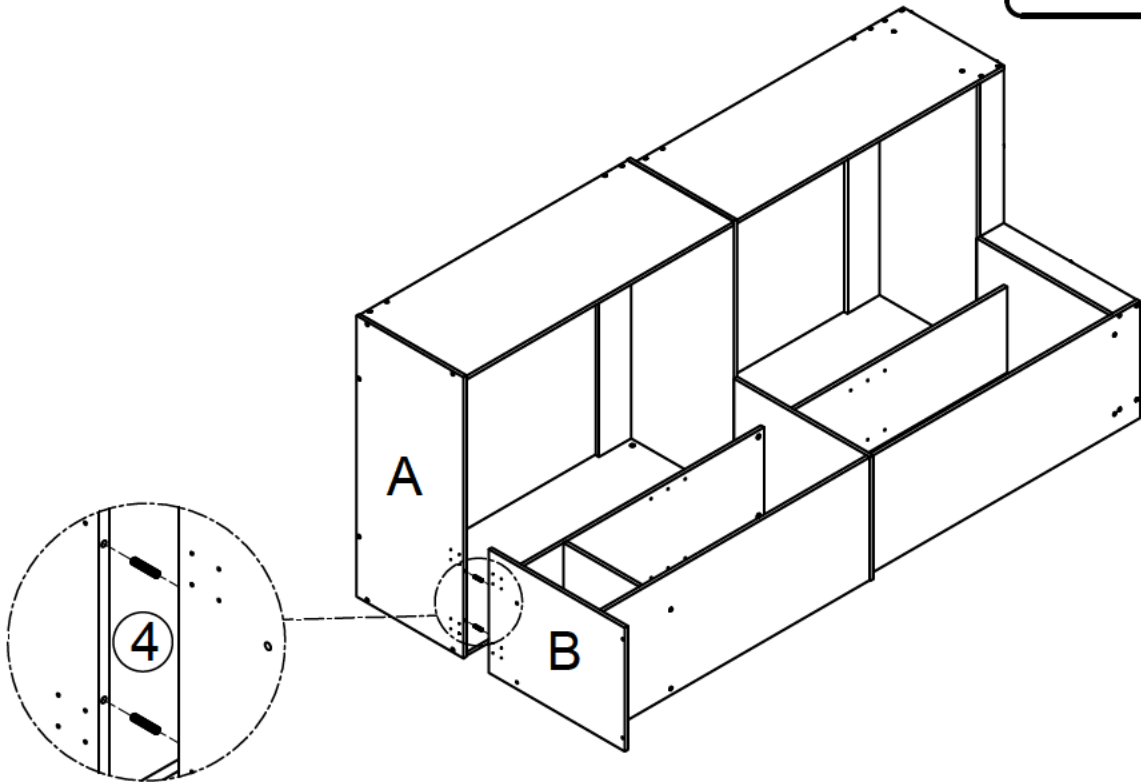


### STEP 22






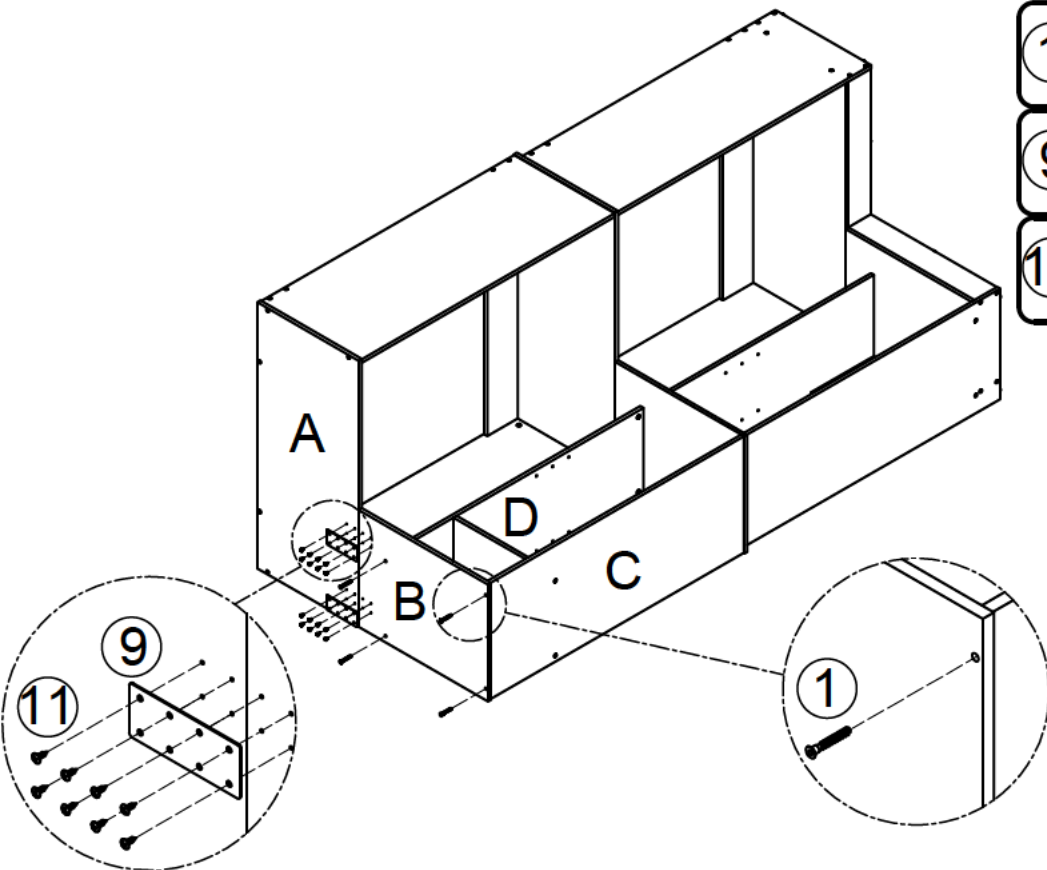
### STEP 23

④  x2

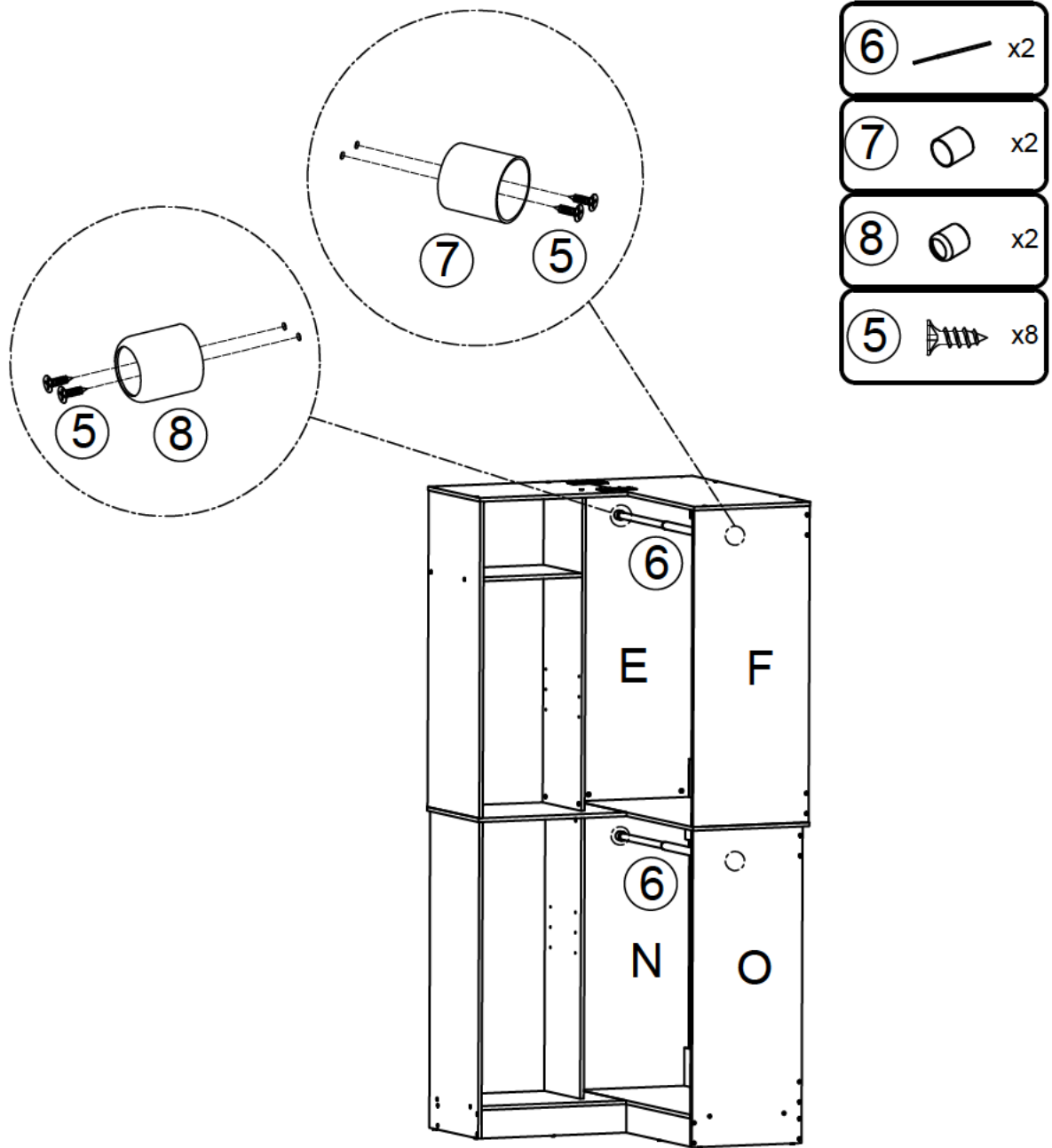


### STEP 24

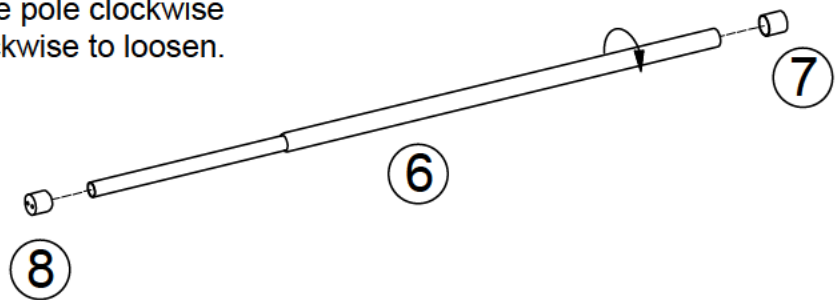
①  x4  
⑨  x2  
⑪  x16



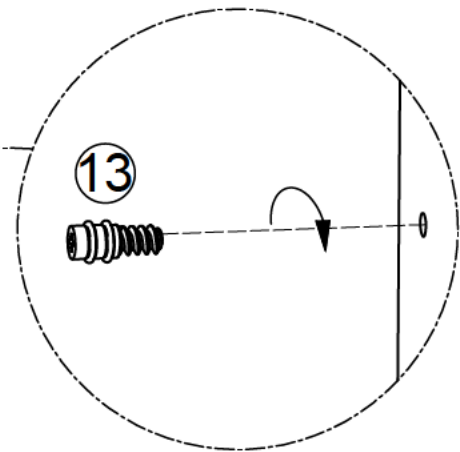
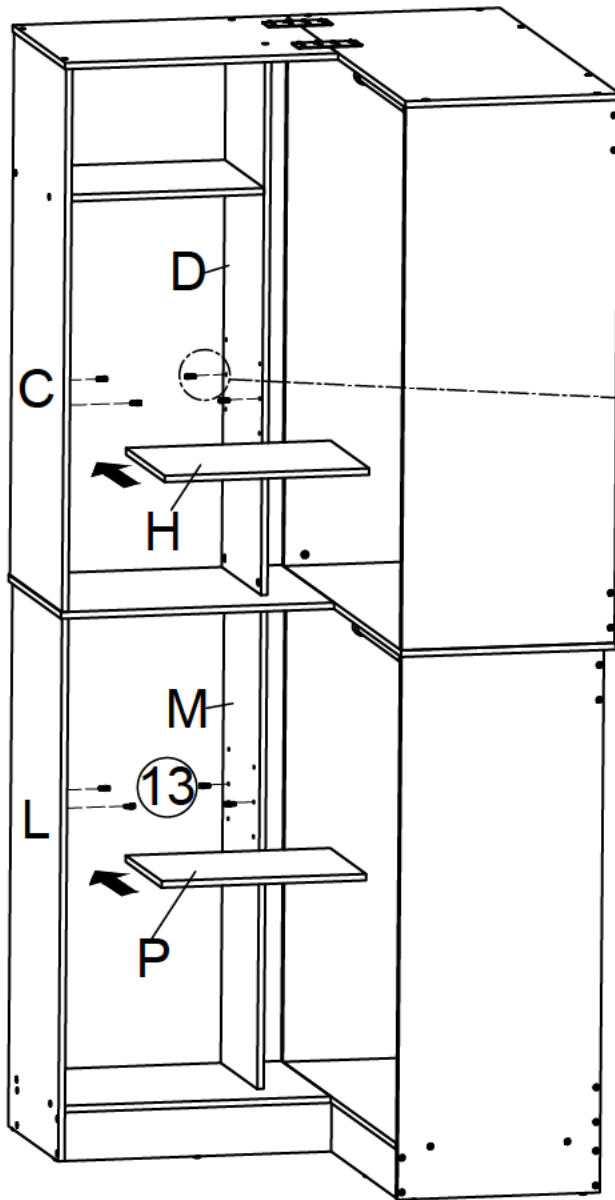
# STEP 25



Note: Twist the expandable pole clockwise to tighten. anticlockwise to loosen.



# STEP 26



*There are 3 heights for the 2 shelves (Part H and Part P) to be adjusted as you need.*

## STEP 27

### TIPPING RESTRAINT HARDWARE



**Note:** We have included three Tipping Restraint Hardware set for this Unit. When properly installed, this restraint can provide protection against the unexpected tipping of the Unit due to small tremors, bumps or climbing. We strongly recommend mounting this hardware to a wall stud and your Unit.

**Note:** You must install the Tipping Restraint Hardware with the unit in use to prevent any accidents or damage to the unit.

