

# Specifications

## TUB AND SHOWER FAUCET TRIM

- Valve Only
- Shower Only
- Tub/Shower

### FEATURES:

- Monitor® 14 Series pressure balanced bath mixing valve
- H<sub>2</sub>Okinetic® Technology

### STANDARD SPECIFICATIONS:

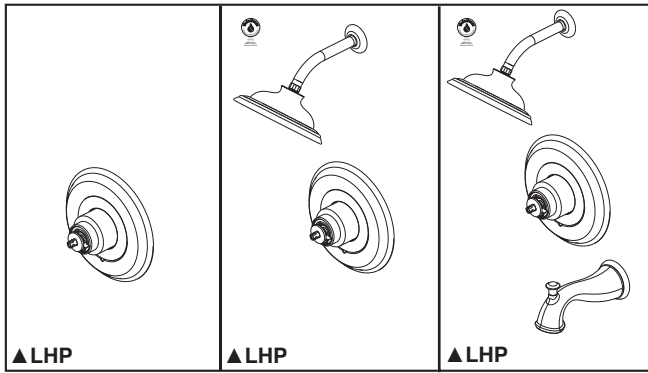
- Maintains a balanced pressure of hot when a valve is turned on or off elsewhere in the system
- Must also order universal rough separately
- Back-to-back installation capability
- Solid brass fabricated body
- Temperature only controlled with handle
- Field adjustable to limit handle rotation into hot water zone
- 120° maximum handle rotation
- All parts replaceable from the front of the valve
- LHP - less handle program - see recommended handle options below
- Maximum 1.75 gpm @ 80 psi, 6.6 L/min @ 550 kPa
- Tub port maximum flow rate 6.0 gpm @ 60 psi with R10000-UNBX
- Shower arm overall horizontal length = 7" (178 mm), including threaded ends
- 1/2" CWT sweat and 1/2" IPS threaded spout adapter

### WARRANTY

- Parts and Finish - Lifetime limited warranty; or for commercial purchasers, 10 years for multi-family residential (apartments and condominiums) and 5 years for all other commercial uses, in each case from the date of purchase.
- Electronic Parts and Batteries (if applicable) - 5 years from the date of purchase; or for commercial purchasers, 1 year from the date of purchase. No warranty is provided on batteries.

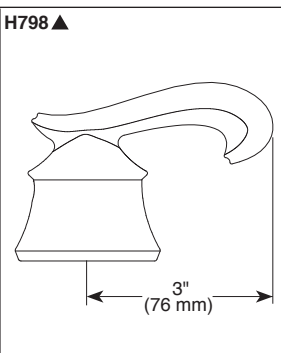
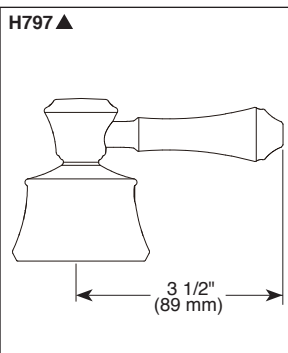
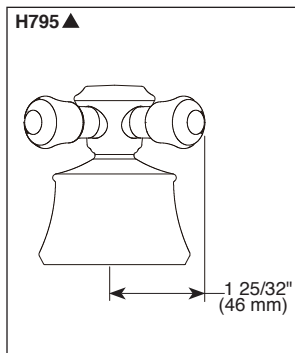
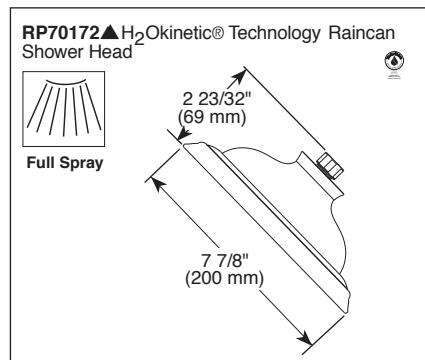
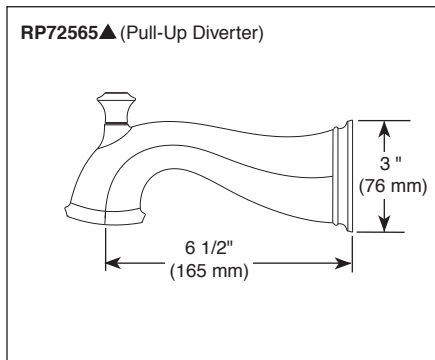
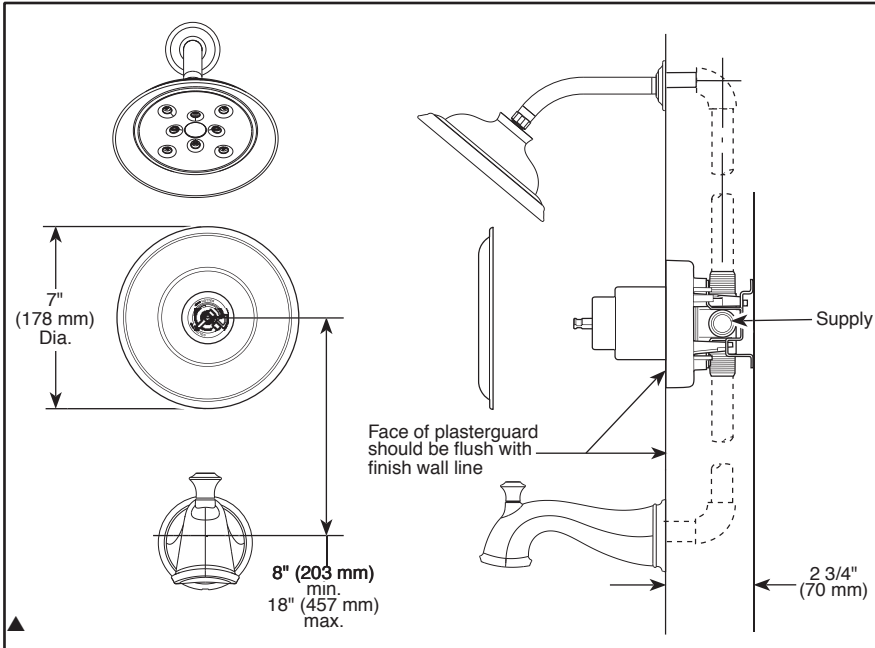
### COMPLIES WITH:

- ASME A112.18.1 / CSA B125.1
- ASSE 1016
- EPA WaterSense®



Submitted Model No.: \_\_\_\_\_

Specific Features: \_\_\_\_\_



▲ Designate proper finish suffix

Delta reserves the right (1) to make changes in specifications and materials, and (2) to change or discontinue models, both without notice or obligation. Dimensions are for reference only. See current full-line price book for finish options and product availability.