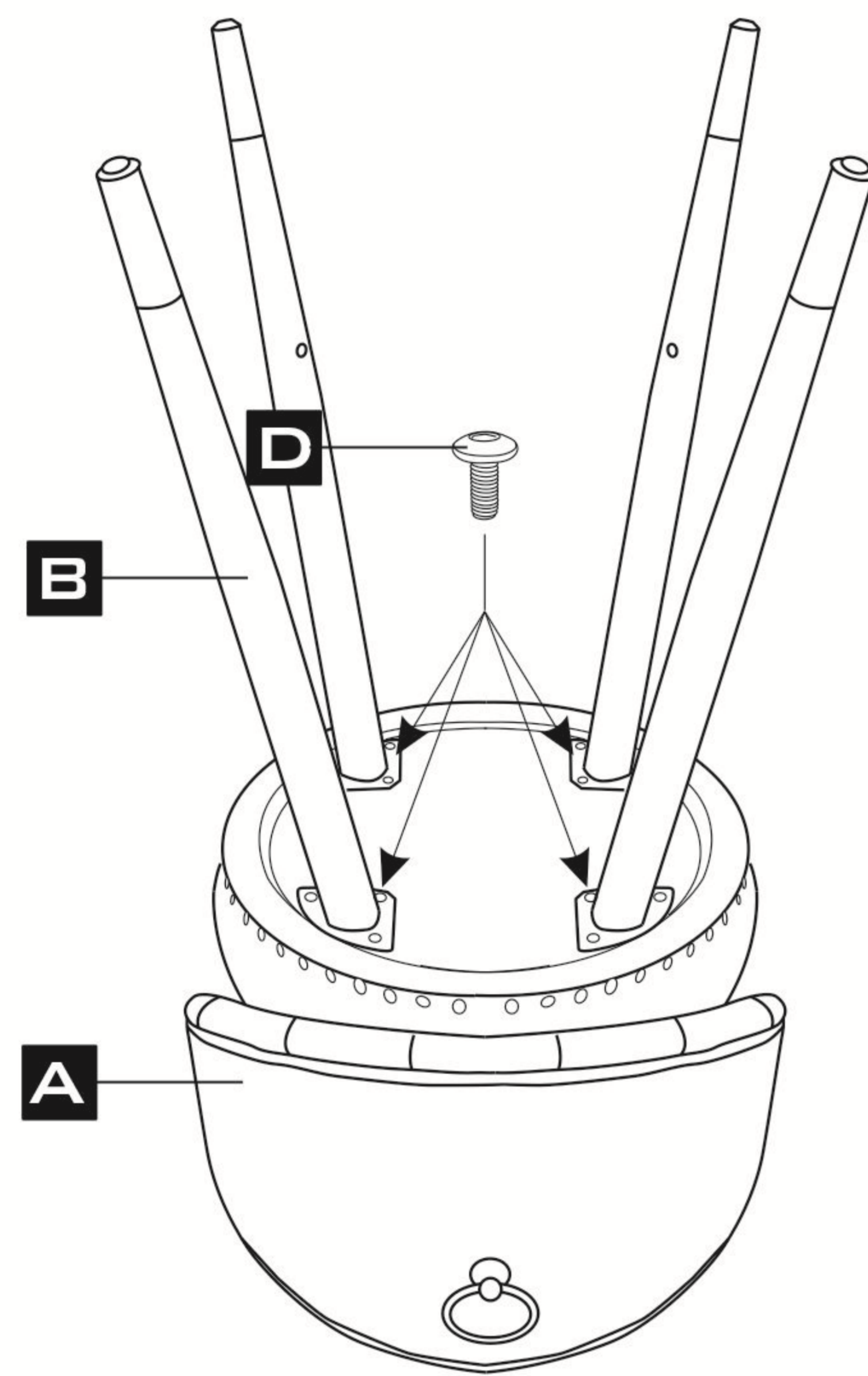
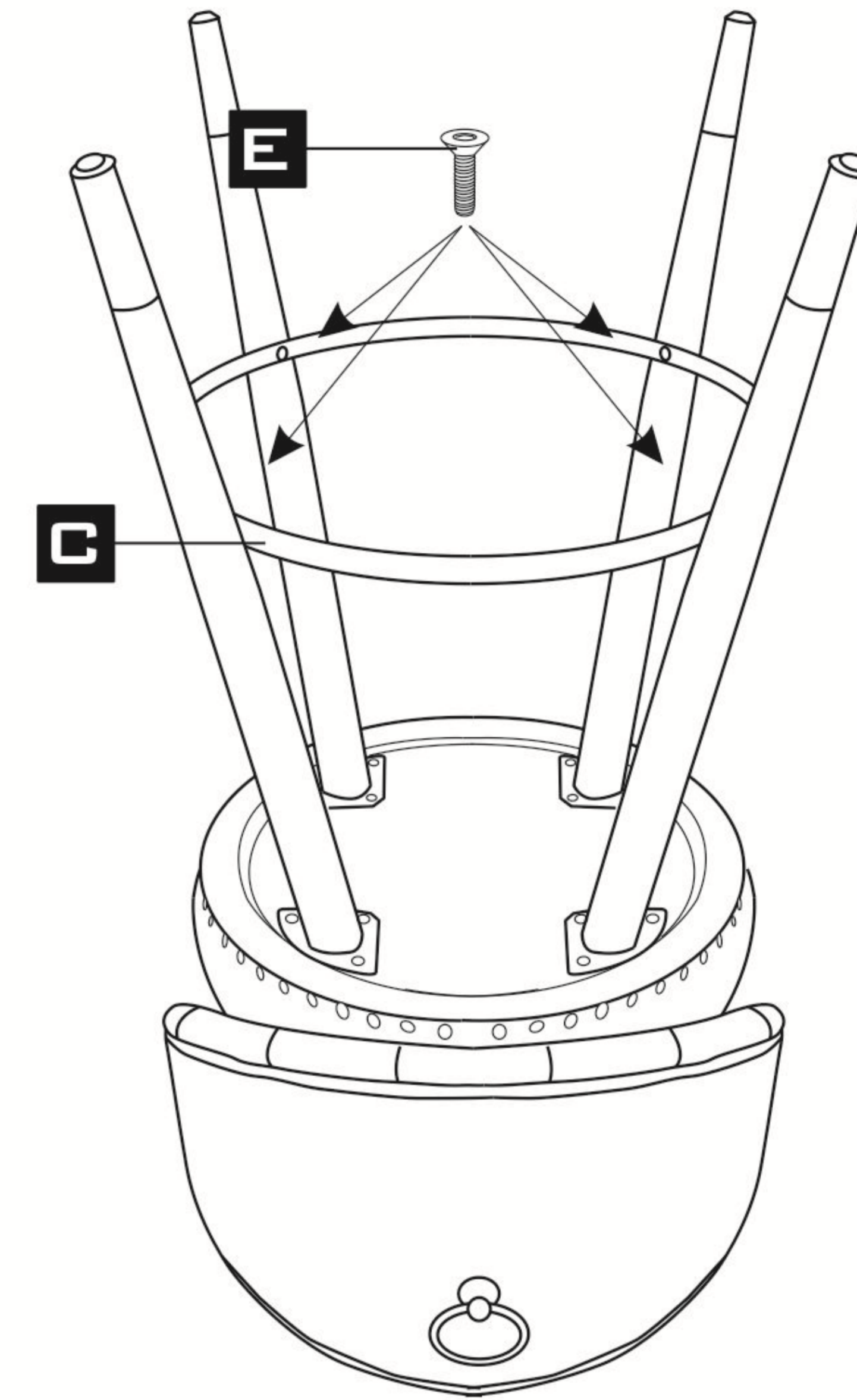


ASSEMBLY INSTRUCTION HFSN-670



①

Put the screws in the holes, tight the screws, but not too tight, 90% is ok



②

Put the screws in the holes, tight the screws, but not too tight, 90% is ok

③

Stand the chair upright & ensure it is level before tightening all screws. Then tight all the screws to 100%

