



Ceiling Fan Light

Manual

Important: Please read and understand this manual before any assembly. Before assembling this product, please ensure that all parts are in place. Compare the details with the product display presentation. If you have any questions, don't hesitate to contact us.

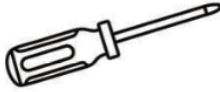
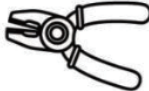


Important safety instructions

Caution!

1. To avoid possible electric shock, make sure the power supply of box or circuit breaker is shut off before wiring.
2. All wiring must be carried out under national and local specifications. Please consult a qualified electrician to ensure that the live, neutral, and ground wires are connected correctly.
3. If you do not have sufficient knowledge of electrical wiring, please have the fan installed by a licensed electrician.
4. The ceiling fan light mounting carrier is solid and can reliably support at least 66 lbs(30kg)
5. Mount the lowest moving parts at least 7.5ft(2.3m) above the floor or ground level.
6. Ensure that all electrical connections are sealed with appropriate connectors and electrical tape in the outlet box.
7. All set screws must be checked and re-tightened if necessary before operating the ceiling fan.



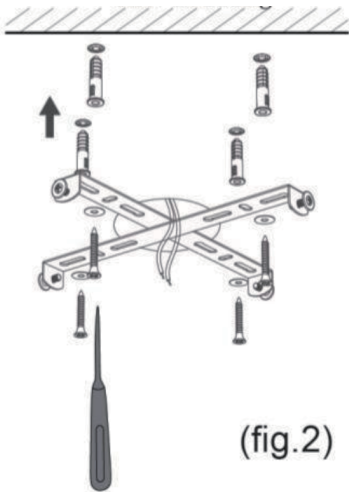
Tools Required

Star-head Screwdriver	
Wire-stripping Pliers	
Stepladder	
Electrical Tape	

Mounting options

a : Wooden ceiling

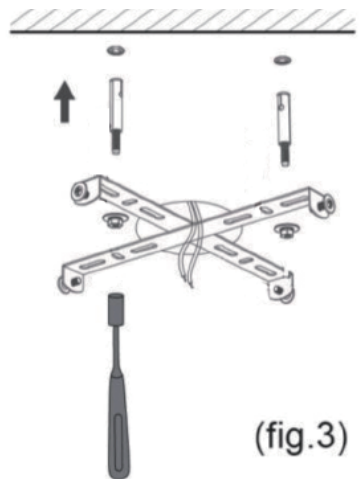
If you have a wooden ceiling, use wood screws with a plastic expansion anchor. (fig.2)



(fig.2)

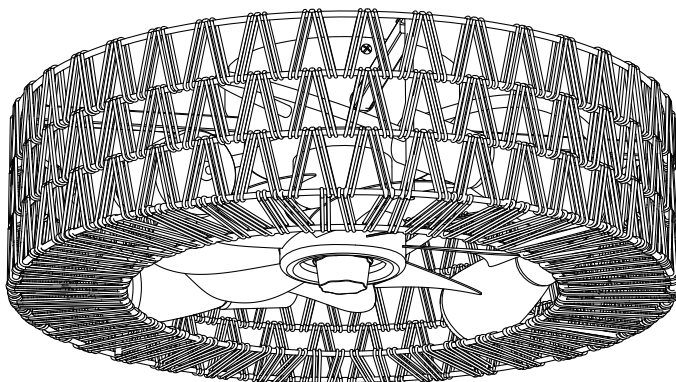
b : Concrete ceiling

If you have a concrete ceiling, use expansion screws. (fig.3)

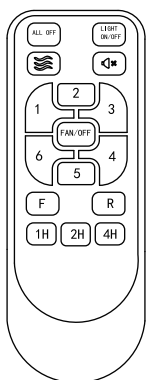


(fig.3)

Package contents



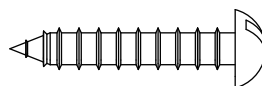
Ceiling fan light X 1



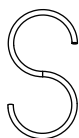
Remote control X 1



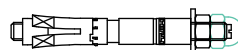
7-shaped holes X 1



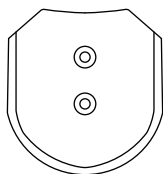
Wood screws X 4



S-hook (auxiliary mounting tool) X 1



Expansion screws X 2



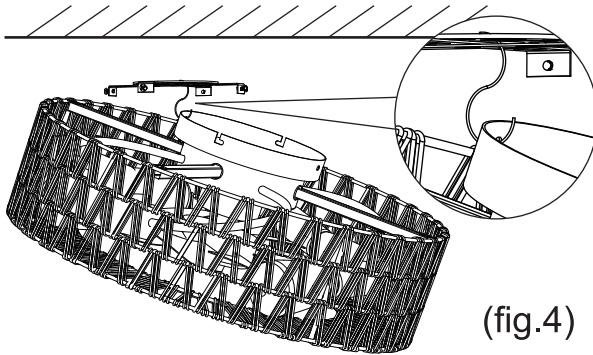
Remote control wall bracket X 1



plastic expansion anchor X 4

Installation

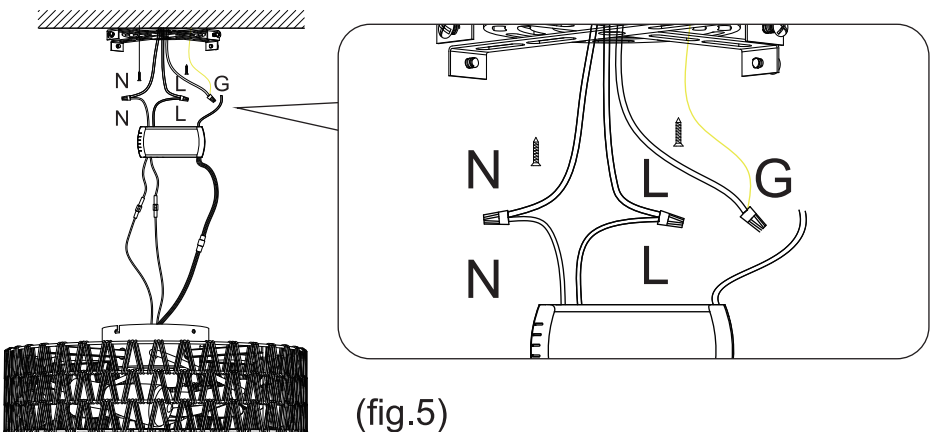
Step 1: Use the auxiliary mounting tool S-hook to hang the ceiling fan with light under the ceiling. (fig.4)



(fig.4)

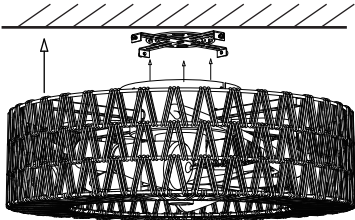
Step 2: Wiring (fig.5)

- a. Connect the black live wire marked "L" on the receiver to the livewire (typically black) on the outlet box.
- b. Connect the white neutral wire marked "N" on the receiver to the neutral wire (typically white) on the outlet box.
- c. Connect the ground wire (bare wire) from the base of the ceiling fan base with the ground wire (bare wire) of the outlet box.

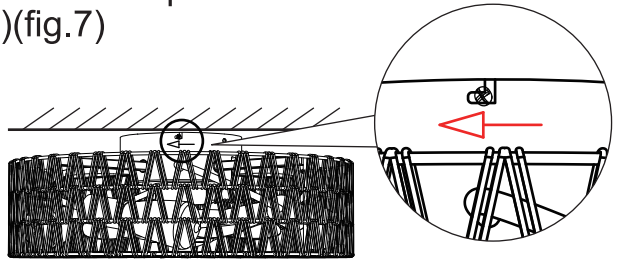


(fig.5)

Step 3: Remove the S-shaped hook and snap the 7-shaped hole of the ceiling fan light holder onto the cross-hanging plate, rotate the ceiling fan and snap the screws into the 7-shaped holes.(fig.6)(fig.7)

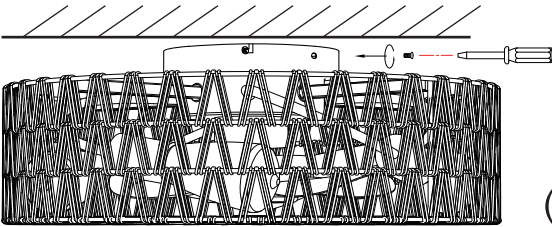


(fig.6)



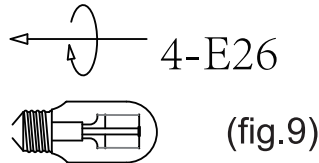
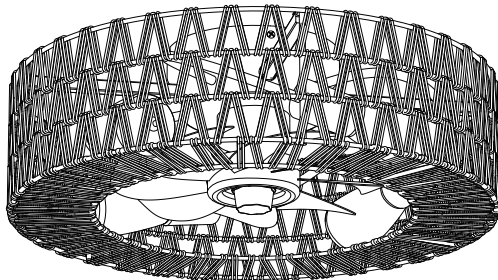
(fig.7)

Step 5: Tighten the 4 screws to complete the installation.(fig.8)



(fig.8)

Step 6: Put in 4 E26 bulbs(fig.9)





Turn off the lights and Fan



Light switch



Natural Wind



Turn ON /OFF the buzzer sound



Fan Off



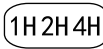
Fan Speed



Forward rotation



inverts



Timing



NOTICE:

This remote control does not contain batteries. Please insert **2x1.5V** batteries before use.

if the remote control not work, please follow the instruction to code pair:

1. Turn on the power switch lights at the same time hear the "Beep"immediately press the " FAN/OFF ", press each key at the same time will issue a beep, code success.
2. if the code is not successfully matched, turn of the power and wait one minute to repeat the operation.

Remote control can not effectively control: Please check the battery,long term non-use please take out the battery.