

# Installation & Assembly

## FOOTSTOOL



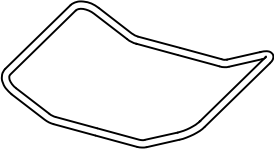
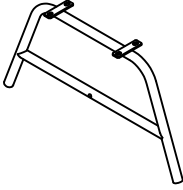
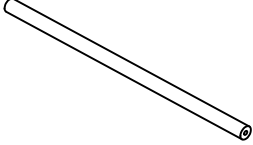
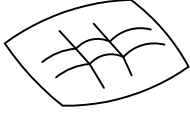
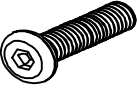
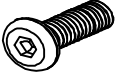


### ATTENTION Section:

1. If you encounter any issues, such as missing accessories or damaged parts, please contact us immediately and include pictures

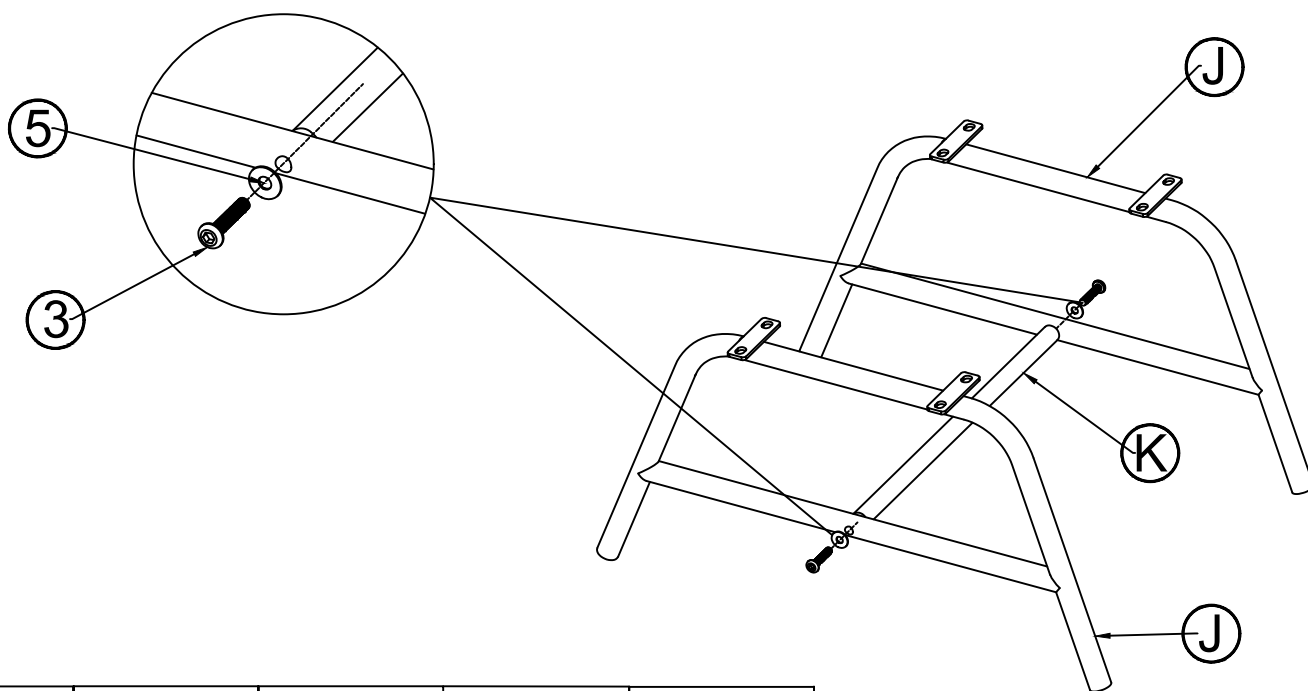
### Assembly Instructions:

1. Assembly requires two people to complete.
2. For optimal assembly, we highly recommend using the provided Allen key.  
If using a power tool, please set it to a low speed to prevent any damage
3. Do not fully tighten the screws until all screws are properly aligned with their holes.

# PARTS LIST OF BOX A

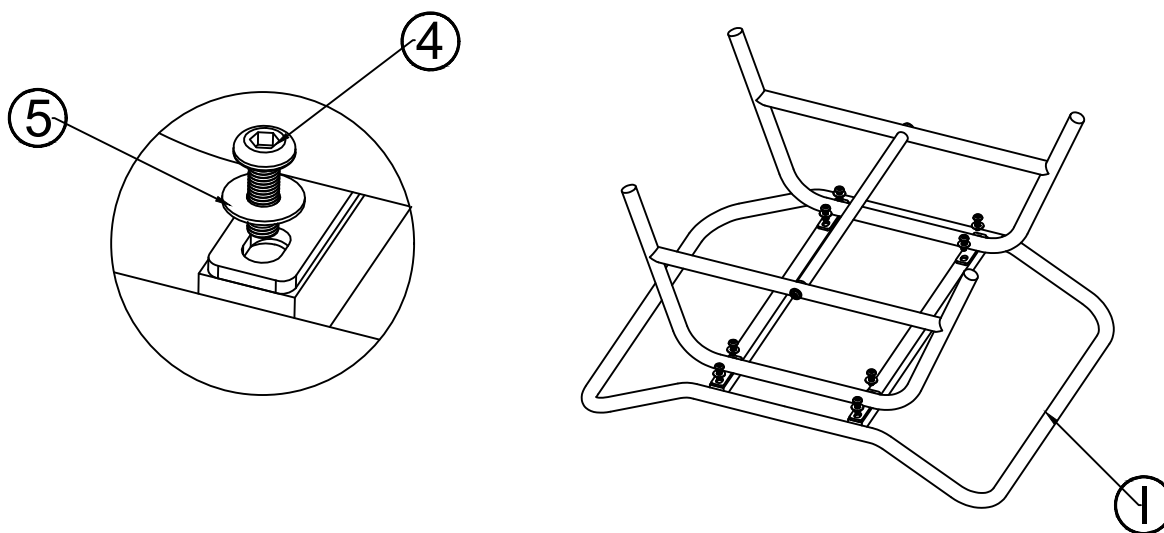
I	J	K	L
 PANEL OF FOOTSTOOL 1pc	 LEGS OF FOOTSTOOL 2pcs	 CROSSBAR 1pc	 CUSHION OF FOOTSTOOL 1pc
③	④	⑤	⑦
 M6*30 2pcs	 M6*18 8pcs	 M6 10pcs	 M6 1pc

STEP 1



B*2pcs	C*1pc	3*2pcs	5*2pcs	7*1pc
		M6*30	M6	ALLEN KEY M6

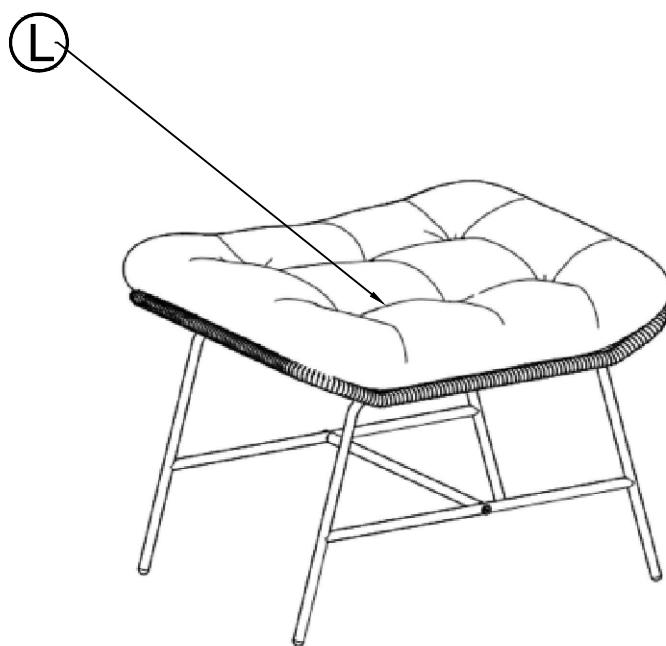
STEP 2



A*1pc	4*8pcs	5*8pcs	7*1pc
	M6*18	M6	ALLEN KEY M6

Do not fully tighten all screws until assembly is completed.

STEP 3



L\*1pc



Do not fully tighten all screws until assembly is completed.