

ASSEMBLY INSTRUCTIONS

Espresso	Sea green
Red	White
Ocean Blue	Black
Buttercup Yellow	Aqua

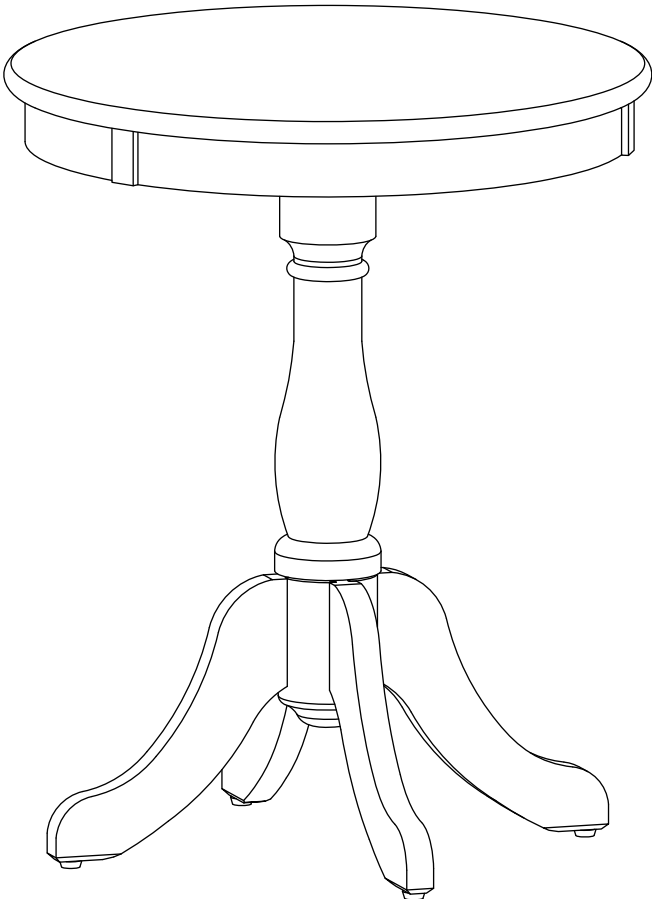
Made in China

Thank you for purchasing this product. We want to make sure it is complete and to your satisfaction. Please check all packing material carefully for small parts which may have come loose inside the carton during shipment. Hardware can be identified by bright red packaging, Separate, identify, and count all parts and hardware to make sure they match with the illustrations herein and are all present. If any part(s) are missing or defective please contact Customer Service. Contact information is given separately on parts request form.

ATTENTION: SOME LETTERED PARTS LISTED ON THE INSTRUCTION SHEET MAY NOT BE IN PARTS BAG AS THEY MAY ALREADY BE ASSEMBLED. CAREFULLY CHECK PARTS AND PACKING MATERIALS PRIOR TO ORDERING REPLACEMENTS.

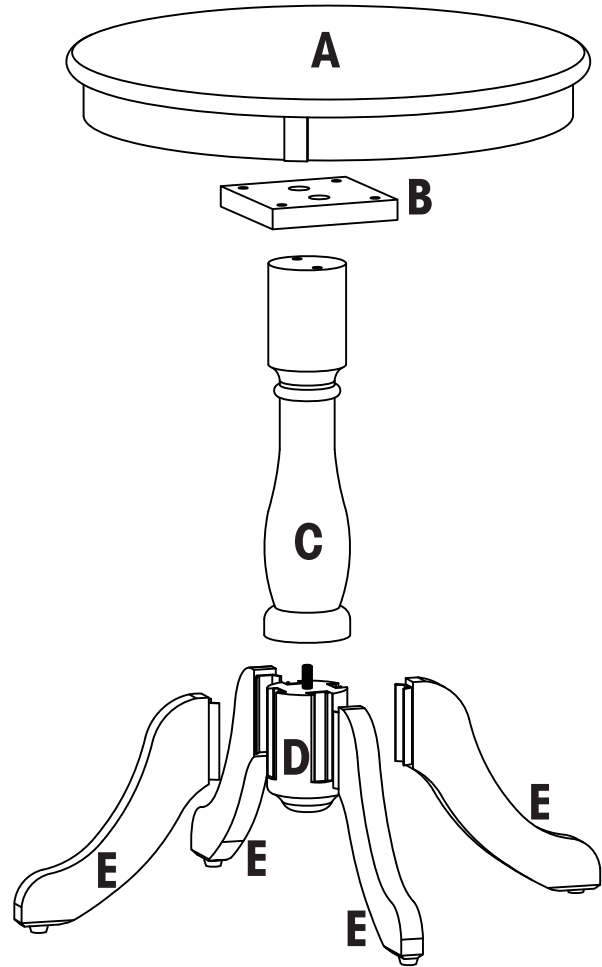
Tools Required for assembly: Allen Wrench (included)

WARNING: DO NOT FULLY TIGHTEN SCREWS AND BOLTS UNTIL ALL PARTS HAVE BEEN ASSEMBLED PROPERLY. TO PREVENT SCRATCHING THE TOP SURFACE, ASSEMBLE PRODUCT ON A SMOOTH SURFACE. DO NOT OVER TIGHTEN SCREWS AND BOLTS.

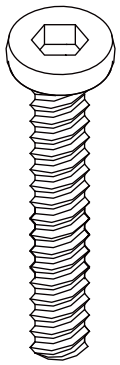


PARTS

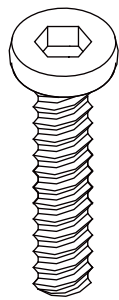
- (A) TABLE TOP
- (B) CONNECTOR
- (C) POST
- (D) BASE
- (E) LEGS(4)



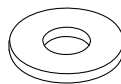
HARDWARE



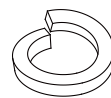
F
 Φ 1/4"x1-1/2"
(2PCS)



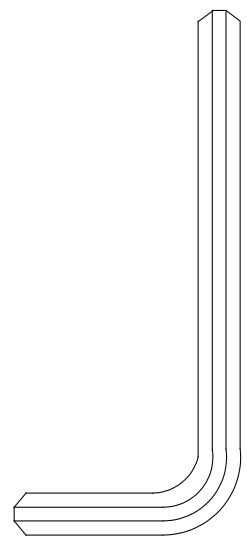
G
 Φ 1/4"x1"
(4PCS)



H
 Φ 5/8"x1/16"
(6PCS)

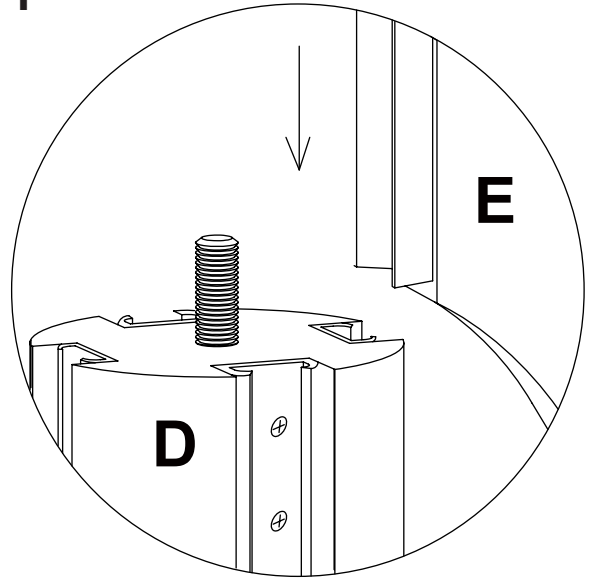
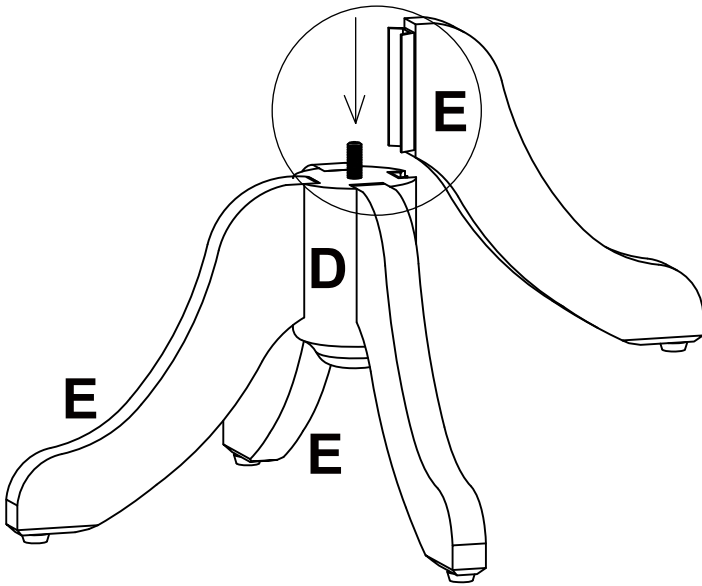


I
 Φ 3/8"x1/16"
(6PCS)

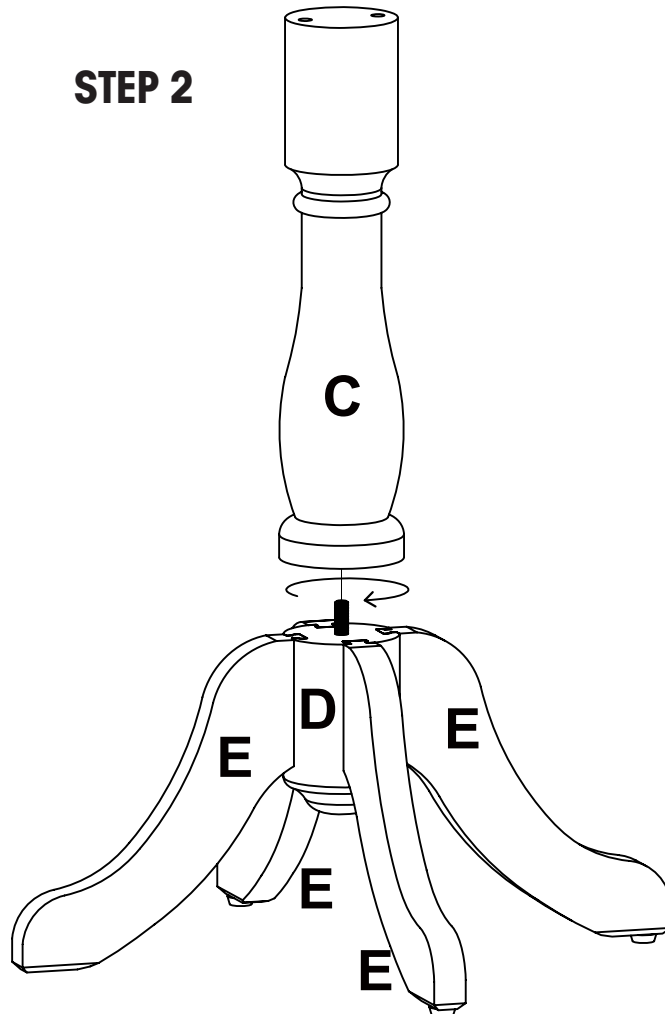


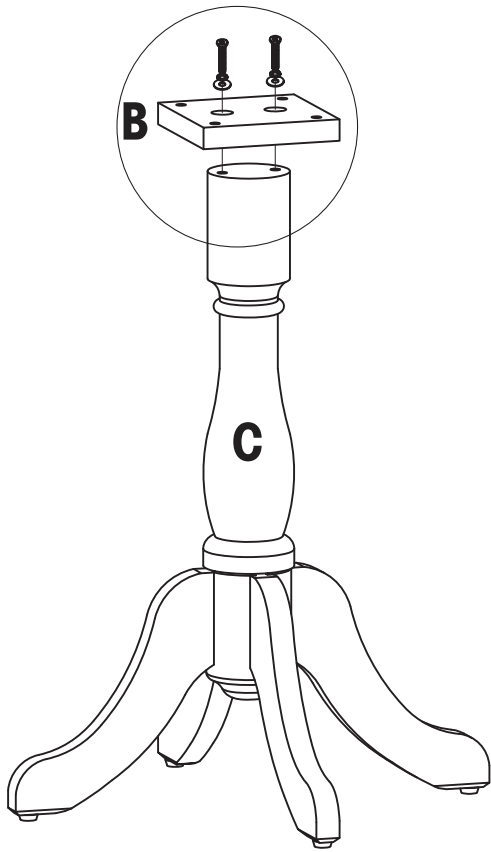
J
7/8"x2-1/4"
(1PC)

STEP 1

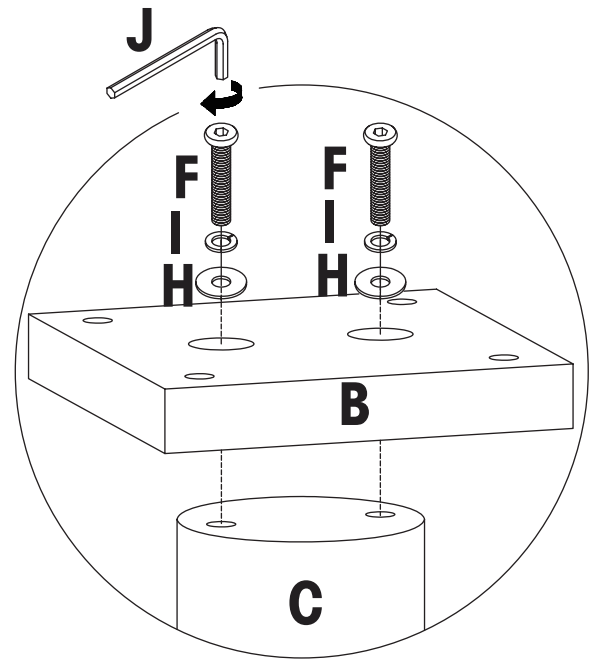


STEP 2

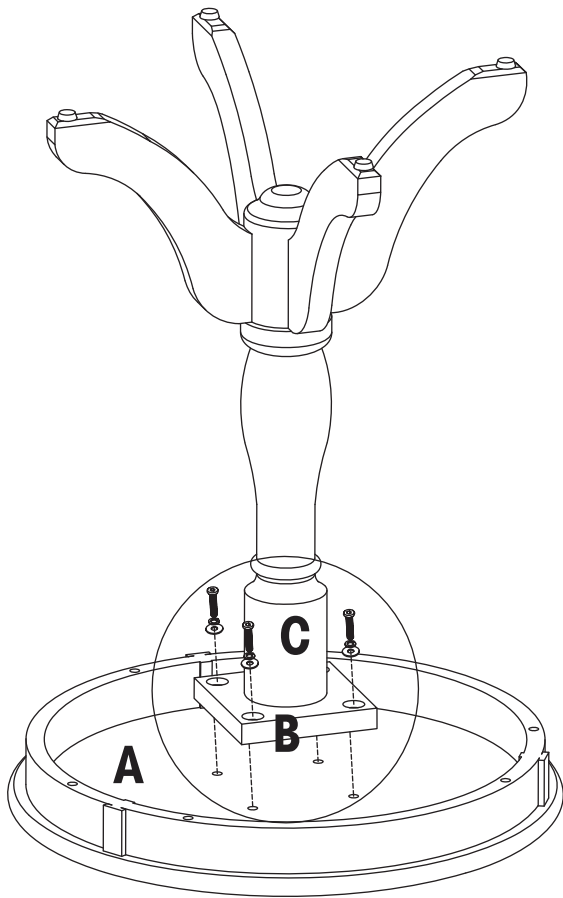




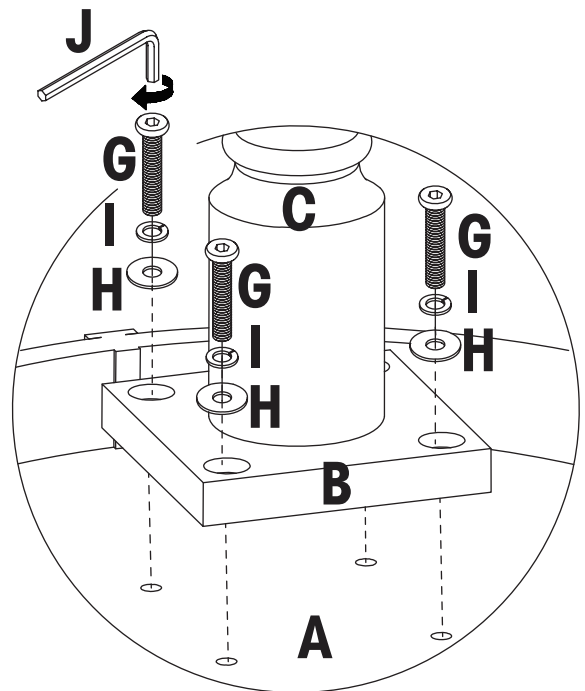
STEP 3



Please turn the adjustable plastic part on the bottom of leg to make sure this table is stable and without wobble leg.



STEP 4



- | | |
|------------------|-----------|
| Espresso | Sea green |
| Red | White |
| Ocean Blue | Black |
| Buttercup Yellow | Aqua |