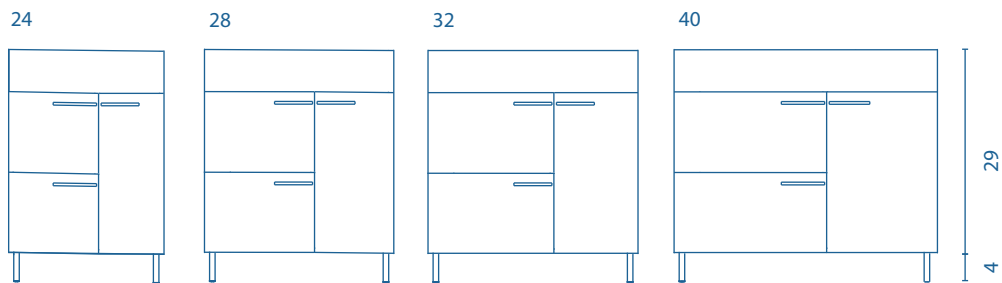


UNIT

Depth 18

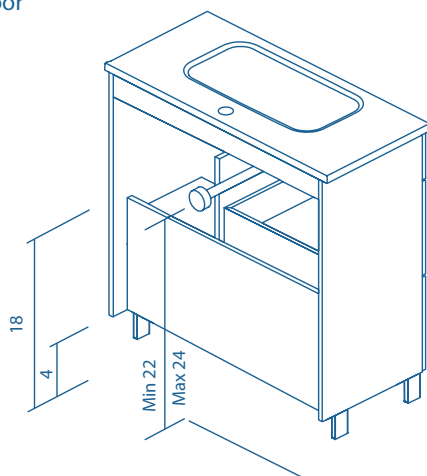


TECHNICAL INFORMATION

STRUCTURE:	High gloss lacquered 5/8 in.
FRONT:	High gloss lacquered 5/8 in.
HANDLE:	Metallic bright chrome finish.
HINGE:	105° opening, Ø 1 in. cap, easy assembly and soft closing system.
LEGS:	ABS, metallic in the finish of the handle.
PIPE DEPTH:	Pipe depth 3 in.

SIPHON PLACEMENT

2 Drawers 1 Door



FINISHES



WHITE



ANTHRACITE