

Please note that countertop ice makers are designed to make ice, and not store it.

***Before using the ice maker for the first time, please wait for 24 hours after the unit has been leveled and positioned.***

***For optimal results, please store ice in freezer as soon as the bin is full.***

***Empty the ice bin if the machine is powered off or unplugged.***

***Do not run the machine for more than 48 consecutive hours.***

orgoproducts.com



*Thank you for using Orgo products.*  
support@orgoproducts.com

Please read the instruction booklet before using and keep for future reference.

**Orgo**<sup>TM</sup>

# Countertop Ice Maker



## Instruction Booklet

*For your safety & enjoyment of this ice maker, always be certain you have read the instruction booklet carefully before using.*

# The Denali

# CONTENTS

1. Safety
2. Safety Information
4. Additional Information and Cautions
6. Troubleshooting
7. Before First Use - Important
8. Care & Cleaning
9. Introduction
11. Operation
13. Draining the Denali
14. Do's & Don'ts List

# SAFETY

*Your safety and the safety of others is very important. There are many important safety messages in this manual and on your appliance.*

*Always read and follow all safety messages.*

**⚠ Attention:** This is the safety alert symbol. This symbol alerts you to potential hazards that can cause serious injury to you and to others.

All safety messages will follow the safety alert symbol.

All safety messages tell you what the potential hazard is, how to reduce the chance of injury, and what can happen if the instructions are not followed.



## IMPORTANT:

LET THE UNIT REST AND REMAIN UNPLUGGED FOR 24 HOURS BEFORE USE.

# ⚠ GENERAL SAFETY INFORMATION

*Please read and understand the entire manual before attempting to operate or use this product. This will ensure you receive the most enjoyable and trouble-free operation of your new ice maker.*

**⚠ Warning:** To avoid fire, electric shock or accidents, please follow these basic safety rules.

- Do not, under any circumstances, alter or remove the third {ground} prong from the power cord. For personal safety, this product must be properly grounded.
- Do not exceed power outlet ratings. It is recommended that the ice maker is connected to its own circuit. Use only a 120V, 60Hz standard electrical supply that is properly grounded in accordance with the National Electric Code and local codes and ordinances.
- After unpacking the machine, it needs to stand at least 24 hours before powered on.
- Do not damage the power cord or plug. Avoid heating, twisting or pulling power cord. These actions may result in electric short circuit and/or fire.
- Use the correct power socket, the power socket must have reliable grounding, and ensure that the power plug is fully inserted into the socket.
- Due to the safety hazard in some conditions, we strongly recommend not to use an extension cord, if you must use it, please use a 3-wire grounded cord with a rated current (minimum) 15A.
- Do not squeeze or pull the power cord. The power cord should be placed in a place where it will not be disturbed and should not be immersed in water.
- Keep this product away from children or inexperienced persons unless they are supervised or prompted by those knowledgeable and responsible for their safety.
- Do not use wet hands to plug and unplug the power supply, otherwise it may cause electric shock, burn or other injuries.
- This product must be installed and used correctly, please read this manual carefully before installation.
- This product is only suitable for indoor use at home (such as home, hotel, bar, etc.), do not use it outdoors.
- Do not store or use flammable gas or liquid near the appliance.
- Do not store explosives (such as gasoline, accelerant, etc.) in the appliance.
- Do not allow children to climb, stand or hang from the ice maker.
- The machine can only be filled with potable (drinkable) water.
- Please unplug from power before manual cleaning, repair or maintenance.
- Do not clean the ice maker with flammable or caustic liquids. This may cause fire or an explosion.
- Do not disassemble, repair or change any part of the product.
- Do not use any accessories not recommended by the manufacturer.

**⚠ Attention:** To reduce the risk of injury to people or things, follow these basic safety precautions.

- Do not remove any safety, warning or product information identification from the product.
- It is recommended that 2 people carry and install the ice maker to avoid injury.
- When the UV lamp inside the machine is working, please do not look directly at the light of the UV lamp, it will cause serious damage to the eyes and damage the unprotected skin.
- In order to avoid being hurt by UV light, do not disassemble The Denali and then power back on.

**After the ice maker is disconnected from the power supply, please remove all ice from the bin to prevent ice from overflowing into the machine.**

**⚠ Warning:**  *Flammable refrigerants present a fire or explosion hazard.*

The refrigerant used in the refrigerator is flammable, please follow the safety warnings below to reduce the risk of injury or financial loss.

- Do not damage the refrigeration pipeline during transportation, installation and operation.
- When maintenance service is required, please contact the manufacturer support.
- A space of more than 12 inches should be reserved around the ice maker to ensure good ventilation.
- To defrost, use a plastic or wooden scraper or a wooden scraper. Do not remove mechanical devices or electrical appliances frost, as it can puncture the liner and damage the refrigeration lines.
- Do not use electrical appliances in the water tank/ice basket/ice storage drawer of the ice maker.

**Dispose of the device in accordance with federal and local regulations. The flammable refrigerants and thermal insulation materials used require special handling procedures, please contact your local authorities for safe and environmentally friendly disposal of your appliances.**

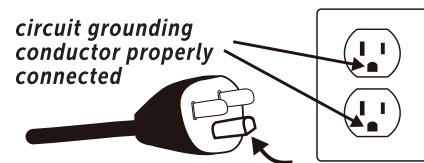
## ADDITIONAL INFORMATION & CAUTIONS

1. Please wipe the power plug with a dry cloth frequently to reduce the risk of fire.
2. If not using for long periods, turn off power supply, pull the power plug from the outlet, drain the remaining water, and store it in a dry area.
3. When the ice maker starts or stops, there will be a "click" sound. When the refrigerant flows in the pipe, there will be a flowing sound. During ice making cycle, the system will also make a "click" sound. *These are all normal functions.*
4. In case of abnormality or failures, please stop use immediately, or it may cause fire or electric shock. Turn off the power supply and pull the power plug out of the outlet.
5. When using the machine, please leave plenty of space around it. If the refrigerant leaks it may lead to fire or serious accidents.
6. Please use a separate socket for The Denali. Do not share one socket for multiple electric appliances, or it may lead to electric shock, short circuit and fire.
7. Please push the plug into the socket completely, if not, it may lead to electric shock or fire due to heat.
8. If the power cord is damaged, it must be replaced by professionals to avoid danger and unsafe situations.
9. Before using, please wash the water tank with clean water only.
10. Before using, please remove and wash the ice basket and scoop with mild soap and water.
11. **USE CLEAN WATER ONLY TO CLEAN THE WATER TANK. NEVER USE SOAP OR CLEANSERS OF ANY KIND IN THE WATER TANK.**
12. To ensure the ice is of the best quality, please use drinkable water and clean The Denali frequently.

- 
1. Do not disassemble, repair or refit the machine, it may cause fire, electric shock or accidents.
  2. Before daily maintenance, disconnect the power supply first, then pull the plug out of the outlet, or it may cause electric shock and short circuit.
  3. Do not use wet hands when plugging or unplugging the power supply, or it may cause electric shock, burn or other injuries.
  4. Do not immerse the machine into water or use it in bathroom or it may cause short circuit or electric shock.
  5. (1) Do not use it on uneven or unstable surfaces, or injuries and faults may occur due to falling or tipping over.  
(2) Please pay special attention: when placing the machine, always put it on a level, stable surface.
  6. (1) Do not damage the power cord or plug. Do not scratch it, use it near heat, twist it forcibly, or pull it hard.  
(2) Do not use a damaged power cord and/or plug. It may lead to electric shock, short circuit and fire.
  7. Please hold the insulated part of the power plug and pull out the power plug. Do not pull exposed wire or the power cord may break or catch fire.
  8. When doing daily maintenance, do not remove internal sensors or touch parts in any way, (not with hands or tools), or it may lead to failure or accidents.

## SAFETY INSTRUCTIONS

- Do not, under any circumstances, alter or remove the third, (ground) prong from the power cord. For personal safety, this product must be properly grounded.
- Do not exceed power outlet ratings. It is recommended that the ice maker is connected to its own circuit. Use only a 120V, 60Hz standard electrical supply that is properly grounded in accordance with the National Electric Code and local codes and ordinances.
- Due to potential safety hazards under certain conditions, we strongly advise against the use of an adapter or extension cord.
- Do not under any circumstances cut or remove the third ground prong from the power cord.



- Do not unplug the appliance by pulling the power cord. To properly disconnect the unit, grip the plug firmly and pull it straight out from the wall outlet.
- To protect against electrical shock do not immerse appliance plug or cord into water or other liquids.
- This product must be properly installed and located in accordance with the installation instructions before it is used. Product is for indoor household use only.
- Do not use outdoors. Do not store or use flammable vapors or liquids near this product.

## IMPORTANT:

LET THE UNIT REST AND REMAIN UNPLUGGED FOR 24 HOURS BEFORE USE.



*Use a grounded 3-prong outlet only*



*Never use a sharp knife to unpack*



*Do not put near heat or in direct sun*



*Recommended that 2 people lift machine*



*Indoor use only*



*Extension cord use is NOT recommended*



*Ensure a 12" clearance from back of unit from walls*



*Distilled or purified water is recommended*



**WARNING!** To reduce the risk of fire, explosion, electric shock, exposure to UV radiation, or injury when using your machine, follow these basic safety precautions.

## ⚠ IMPORTANT!

### FLUSH SYSTEM BEFORE FIRST USE

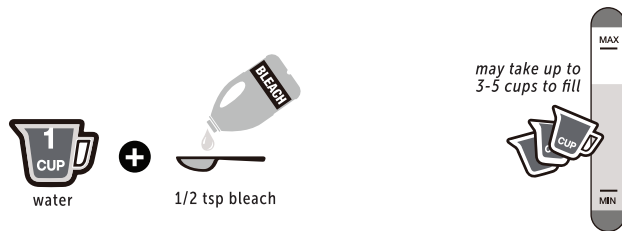
#### FIRST USE


The ice maker must stand level & upright for 24 hours before initial use for stabilization of internal parts.

*For initial use and to keep ice tasting fresh, unplug The Denali and follow these cleaning instructions.*

1. Fill reservoir with a solution of unscented bleach and distilled water mixed in the ratio of  $\frac{1}{2}$  tsp of unscented bleach to 1 cup distilled water. (It may take 3-5 cups to fill between the Min and Max line on the water tank indicator.) Fill slowly and do not exceed the Max line.

**DO NOT USE SOAP IN THE WATER RESERVOIR.**



2. Press and hold **clean** button  for 3 seconds. LED light turns off when the clean cycle is complete.
3. Unplug The Denali, and release the drain hose from the back of the appliance. Remove stopper from hose and empty the water into a sink or bucket placed lower than the ice maker.
4. After draining the hose, replace reattach the hose to the clip holder on the back of the ice maker.
5. Plug The Denali in and repeat Step 2 with clean, fresh water 3-4 times and draining between each cycle. *Always unplug the ice maker before and during the draining process.*

*Tip: cleaning is recommended 1X per week if using the ice maker daily, or in between uses. Some noises are common during ice making & cleaning cycles.*

## CARE & CLEANING

1. Wipe exterior of the ice maker and the interior of the ice bin and drip tray with a soft damp cloth and wipe dry to avoid any deposits. Do not use cleaning solvents or abrasive cleansers. **DO NOT USE SOAP IN THE WATER RESERVOIR.**
2. Create a sanitizing solution of (1) cup of water with  $\frac{1}{2}$  teaspoon of household bleach.
3. Carefully pour the solution from Step 2 into the water reservoir using the supplied funnel and add more fresh water into the reservoir until just below the maximum fill level. **DO NOT OVER FILL DO NOT EXCEED MAX FILL LEVEL.**
4. Plug the unit back in and press & hold the **CLEAN CYCLE** button for 3 seconds.
5. After the display ring lights white, the motor will be activated and will circulate for approximately 3 minutes.
6. When finished, the clean cycle will automatically stop and the display button will no longer be illuminated.
7. Unplug the unit and remove the drain hose from magnetic holder to empty into a sink, or bucket, placed below the level of the ice maker.
8. Allow the water to completely drain before re-inserting the drain hose to the back of The Denali.
9. Flush the unit with fresh water to the max fill line 3-4 times, unplugging and draining the unit for each rinse.
10. When complete, plug The Denali back in and add fresh water for ice-making.

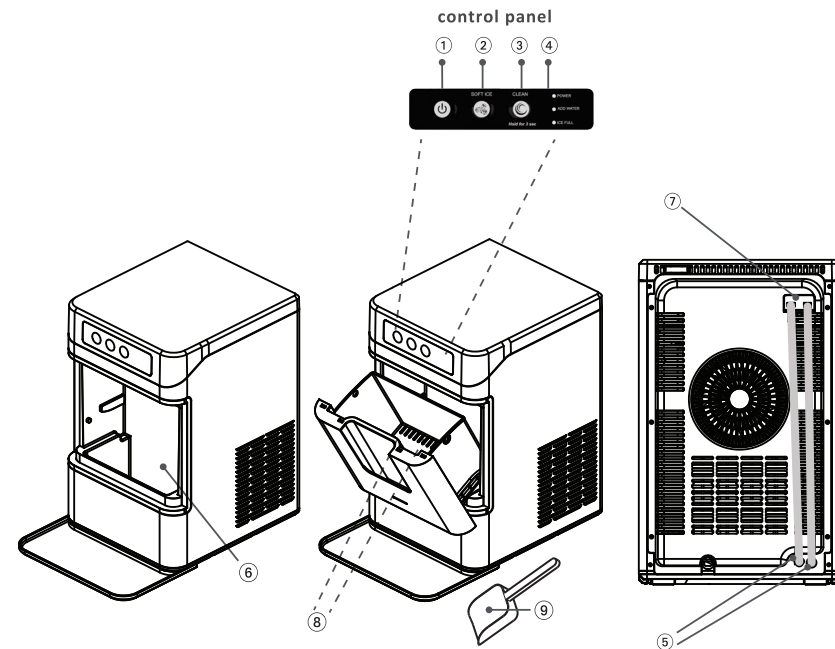
**TIP: Use PURIFIED WATER to improve ice making performance.**

## INTRODUCTION




# The Denali

- Makes up to 37lbs of ice in 24 hours
- Makes ice every 8-10 minutes
- Water tank capacity of .40 Gal (1.5L)
- Ice basket holds 1.5 lbs of fresh clean ice
- Easy to operate LED control panel
- Compact & Cool design
- Large window for easy viewing
- Removable ice basket
- Ice scoop included



- 1. Power Button:** Press the Power Button once to turn on the appliance.
- 2. Ice Making Button:** Press button once to start making ice.
- 3. Cleaning Button:** Press and hold for 3 seconds for Clean Cycle.
- 4. Indicator Lights:** Power • Add Water • Ice Full
- 5. Drainage Pipe - Located on back of machine**
- 6. Water Storage Tank - Located inside machine**
- 7. Drain Plug**
- 8. Detachable Ice Basket**
- 9. Ice Scoop**

## MAKING ICE

1. After cleaning & flushing for the initial use, place The Denali on a stable countertop or flat surface with a minimum of 12" of space, including the back of the ice maker, for proper ventilation.
2. Remove the water reservoir plug and use a water funnel to fill with potable water. Keep water at the Max Fill line. **DO NOT OVERFILL. DO NOT USE ANY LIQUID EXCEPT WATER AS IT WILL VOID THE WARRANTY.** Due to water hardness in some areas, it is recommended to use distilled or purified water.
3. Press the **power** button  to turn on The Denali.
4. Press the **Soft Ice** button to start making ice. Ice will be produced within 10 minutes and continue until the bin is full or the reservoir requires more water. When the ice bin is full, the **Ice Full** indicator will light up. Ice making will automatically pause when pulling out the ice bin to scoop or remove ice and will immediately resume once the bin is pushed back into place if the ice level is not full.
5. Ice making will resume once more water is added or the ice bin has been emptied.
6. **NOTE - Bin Removal PAUSE SENSOR: Soft ice making will stop when the bin is pulled out for scooping ice. Be sure to push the bin all the way back in to resume operation.**

**It is recommended to power off The Denali and drain the reservoir when it is not in use, or when it is relocated.**

**NOTE: UV sanitizing light illuminates the ice bin when The Denali is in the clean cycle, making ice, or in power standby mode. Power off The Denali when it's not in use.**

**TIP: Use PURIFIED WATER to improve ice making performance.**

 **WARNING - Do not touch the evaporator when the machine is in use or during the ice making process. THIS COULD CAUSE SEVERE BURNS.**

## ICE MAKING SOUNDS

The Orgo Denali Ice Maker is not your run of the mill hard ice machine. It produces top quality soft nugget ice, the ice you love! There are a number of internal processes required to produce this delicious, light, airy ice, so there are sounds that are unique to The Denali Ice Maker.

- WHIR** • When The Denali is first turned on, it makes a whirring sound which is the condenser fan spinning.
- BUZZ** • When the water pump first starts working, if dry it can create a buzzing sound, which goes away when filled with water.
- RATTLE** • Could occur from the flow of refrigerant and will subside once The Denali has been running for awhile.
- GURGLE** • When the refrigerant system shuts off, there may be a brief gurgle sound after the refrigerant stops flowing.
- HUM** • The compressor is also a motor, so it produces a low humming sound during operation.
- CLICK** • The first nuggets produced are the loudest because they are released into the ice bin first. As the bin fills, the sound reduces.

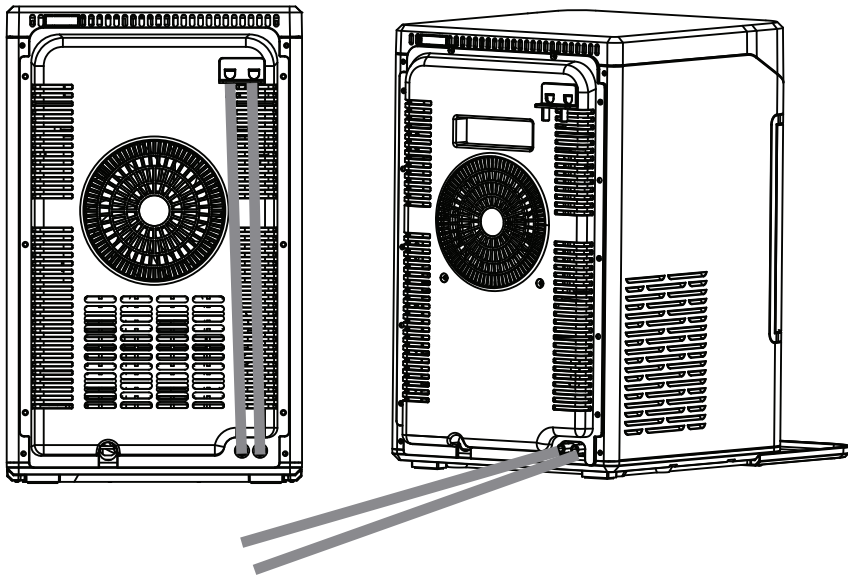
## TECHNICAL SPECIFICATIONS

Product name	The Denali Ice Maker
Rated voltage	120V
Rated frequency	60Hz
Ice making capacity/24hr	37lbs
Ice basket capacity	800G - 1.76lbs
Climate type	SN N ST
Power	105W
Refrigerant/g	R600a
Product size inches	12.24 in Width, 9.68 in Length, 15.72in Height
Package size inches	13.97 in Width, 11.41 in Length, 17.99 in Height

## FLUSHING THE UNIT

### Draining water from The Denali

1. Before flushing and draining, unplug unit.
2. Remove the water draining hose from the back of The Denali.
3. Make sure the other end of the drain hose is secure on the water drain port.
4. Detach hose from the holder and position the hose *below the level of the ice maker* into a sink or bucket (*remove stopper*).
5. Allow the water to completely drain before reattaching the drain hose to the back of the ice maker (*replace stopper*).
6. When complete, plug The Denali back in and add fresh drinkable water to start the ice making cycle.



**NOTE:**

- Use potable water only.
- Use Purified Water to improve ice making performance.
- Water TDS level must be 5-100 mg/L (PPM).
- Water hardness must be no greater than 50mg/L (3 grains/gal).

## Do

- Do let the machine rest for 24 hours before the first use
- Do remove the ice when machine is full & put it in your freezer
- Do remove the ice after machine is powered off or unplugged
- Do use the Auto Clean function regularly
- Do wipe it out & keep dry when not in use
- Do rest the machine after long use
- Do remember the machine is quiet, not silent

---

## Don't

- Don't run the machine longer than 48 hrs consecutively
- Don't use the machine as ice storage
- Don't leave ice in the machine after it is powered off or unplugged
- Don't use the machine near heat sources
- Don't operate the machine in direct sunlight
- Don't put in any liquid other than drinkable water in the tank
- Don't turn the machine upside down or tilt it more than 45 degrees

Please register your Orgo product warranty at  
[orgoproducts.com/product-registration](http://orgoproducts.com/product-registration)