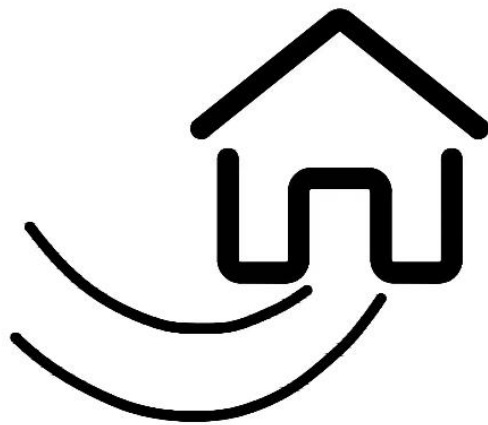

HAPPINESS HAPPINESS INSTALLATION



- If you have any questions with the product, please contact us by:
 - **Email: customerservice@zoy-living.com**
(we will reply to you within 24 hours)
-


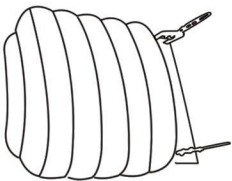
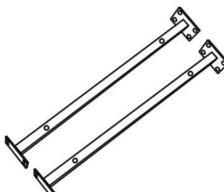
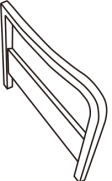
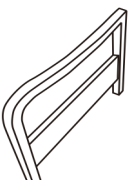





Assembly Instructions

CP010AF11D

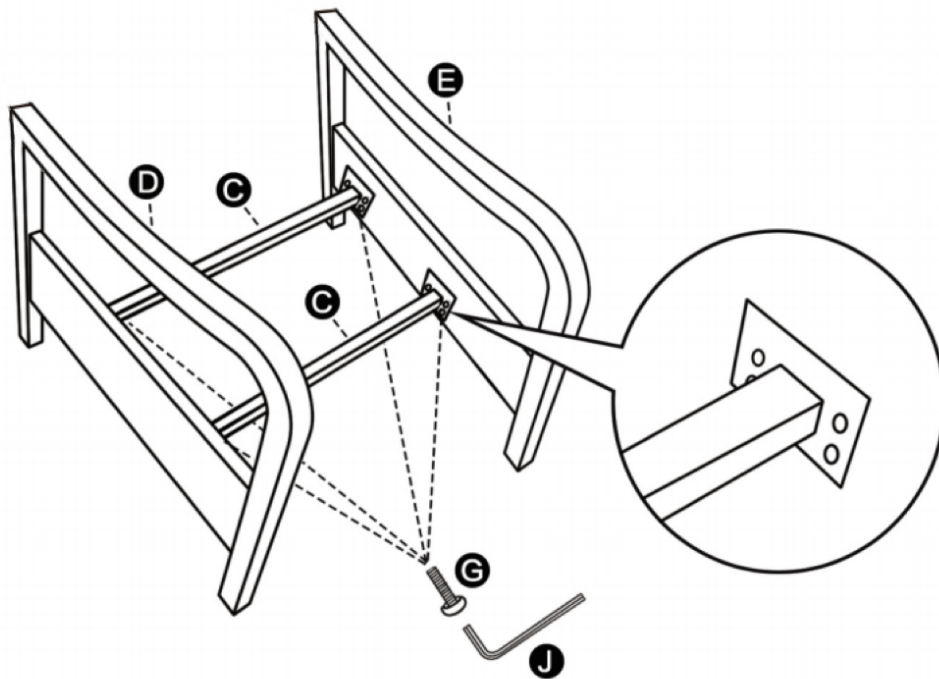
Your chair comes packaged in two boxes. Carefully remove all of components from the packaging and set aside for assembly.

CAUTION:
DO NOT use any sharp objects to open plastic wrapped components as damage to product or components may result

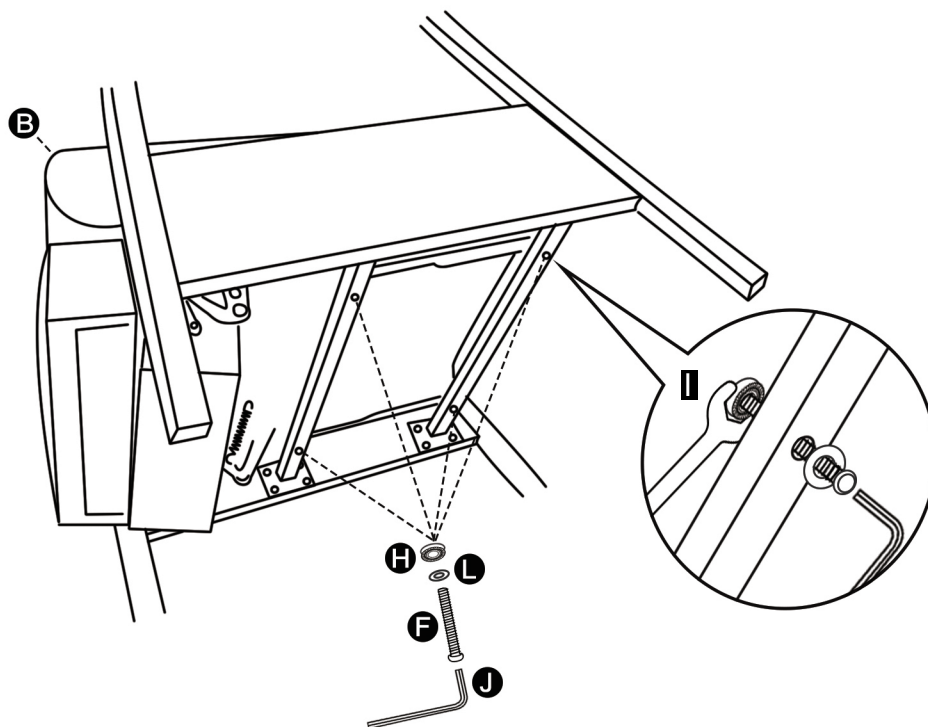
Package Contents

			
Ax1	Bx1	Cx2	Dx1
	 M6*40	 M6*18	
Ex1	Fx4	Gx16	Hx4
			
Ix1	Jx1	Kx4	Lx4

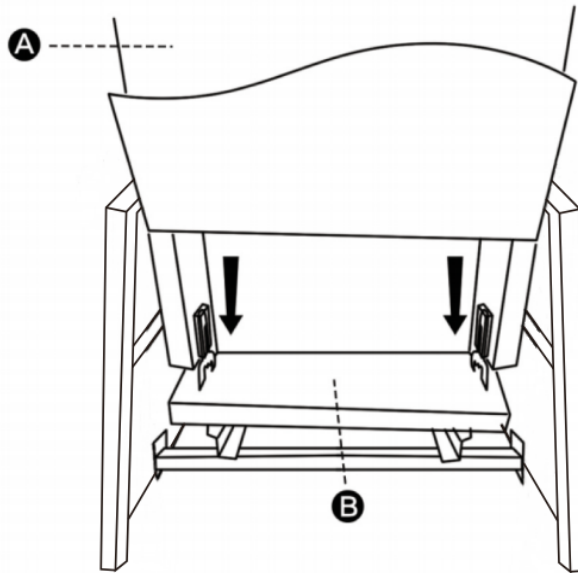
Step1. Install 2 armrests to the connections



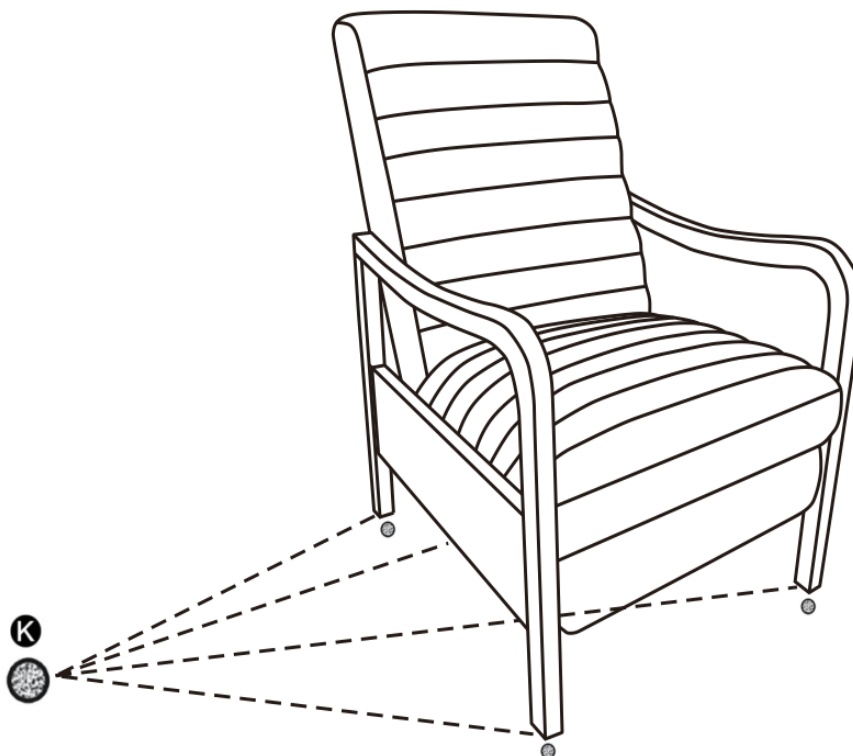
Step2. Install the steel frame to the connections



Step 3. Insert the back cushion to the back of seat



Step 4. Stick the felt pads at the bottom of legs



Warnings

1. Please check if the components of the chair are all included and can be used normally as the 5th tip.
2. Assemble all components according to the instruction correctly before you connect the chair with the power.
3. Please DO NOT sit on the armrests and footrest to eliminate the risk of tipping over.
4. If the sofa is damaged or doesn't match the website product, please send clear pictures of the product and label of the carton to our service team, and we'll help you to solve the problem.
5. If you have any questions with the product, please contact us by:
Email: customerservice@zoy-living.com (we will reply to you within 24 hours)
Phone: (314) 390-1178 (Eastern Time 9am to 5pm on Business Days)

