

NOTICE

- * Please make sure that you have all parts indicated and they are in good condition before you begin assembly of this item. Refer to part list and hardware list below for guidance.
- * This item should be assembled on a soft surface to prevent scratching the finish during assembly.
- * This item may require periodic tightening.
- * If you are having difficulty, our friendly Customer Care team is always here to help.

PREPARATION

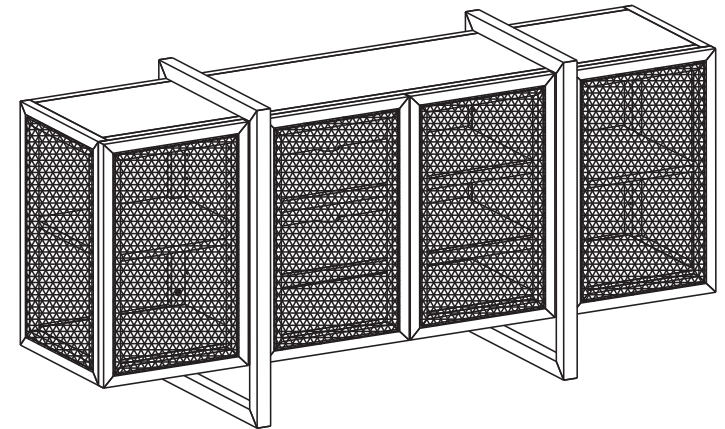
- * Before beginning assembly of product, make sure all parts are present. Compare parts with part contents list and hardware contents list.
- * If any part is missing or damaged, do not attempt to assemble the product.
- * Estimated Assembly Time: 15 minutes.
- * Tools Required for Assembly (Not included): Phillips Screwdriver

CARE AND MAINTENANCE

- * Spot clean using a mild water-free solvent. Only a professional cleaner should undertake a complete overall cleaning.
- * The use of steam or water-based cleaners may cause excessive shrinking or staining.

Owner Manual

Product Dimensions: 71 1/2"W x 20 6/7" D x 33 6/7"H



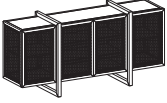
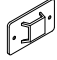

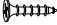

⚠ WARNING ⚠

Weight capacity: 175lbs

Warning: DO NOT STAND ON TABLE

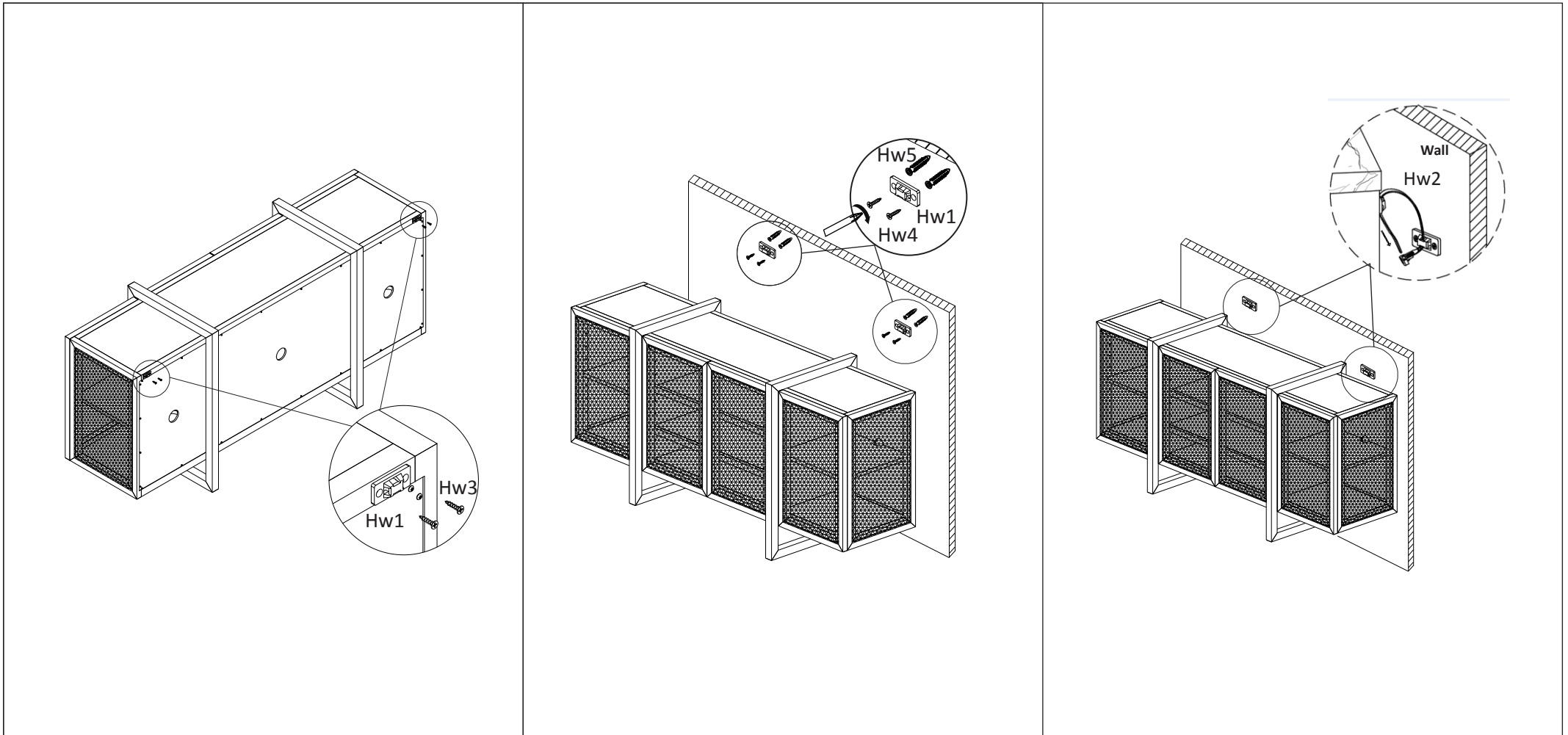
Warning: DO NOT OVER TORQUE BOLTS

Part List and Hardware List

PIECE	DESCRIPTION	PICTURE	QUANTITY	PIECE	DESCRIPTION	PICTURE	QUANTITY
A	SIDEBOARD		1X	HW1	Plastic Brackets		4X
				HW2	Restraint straps		2X
				HW3	Short screws		4X
				HW4	Long screws		4X
				HW5	Plastic anchor		4X

PREPARATION

- * Before beginning assembly of product, make sure all parts are present. Compare parts with part contents list and hardware contents list.
- * If any part is missing or damaged, do not attempt to assemble the product.
- * Estimated Assembly Time: 10 minutes.
- * Tools Required for Assembly (Not included): Phillips Screwdriver
- * If you are having difficulty, our friendly Customer Care team is always here to help.



STEP 1: **PLEASE NOTE:** To help prevent the possible of tip-over, install the tip-over restraint provided.