

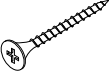







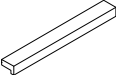








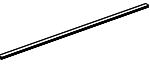
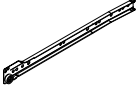
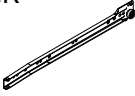
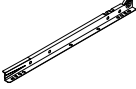
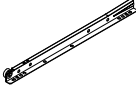




Fitting List

A  Cam Bolt 12 Pcs	B  Cam Lock 12 Pcs	C  Screw(ST4*40mm) 16 Pcs	D  Wood Dowel 14 Pcs	E  Screw(ST3*12mm) 48 Pcs	F  Screw(ST4*10mm) 19 Pcs
G  Wheel 2 Pcs	H  Locking Wheel 2 Pcs	I  Wheel 1 Pcs	J  Screw(M4*18mm) 6 Pcs	K  Handle 3 Pcs	L  Slide rail (L=330mm) 2 Pcs
M  Slide rail(L=325mm) 2 Pcs	N  File bar 2 Pcs	O  Screw(ST3*14mm) 4 Pcs	P  Plastic nail 4 Pcs	Q  Lock 1 Pcs	R  Locking plate 3 Pcs
S  Locking bar 1 Pcs	T  Back bar 1 Pcs	CL  Slide rail 2 Pcs	CR  Slide rail 2 Pcs	DL  Slide rail 2 Pcs	DR  Slide rail 2 Pcs

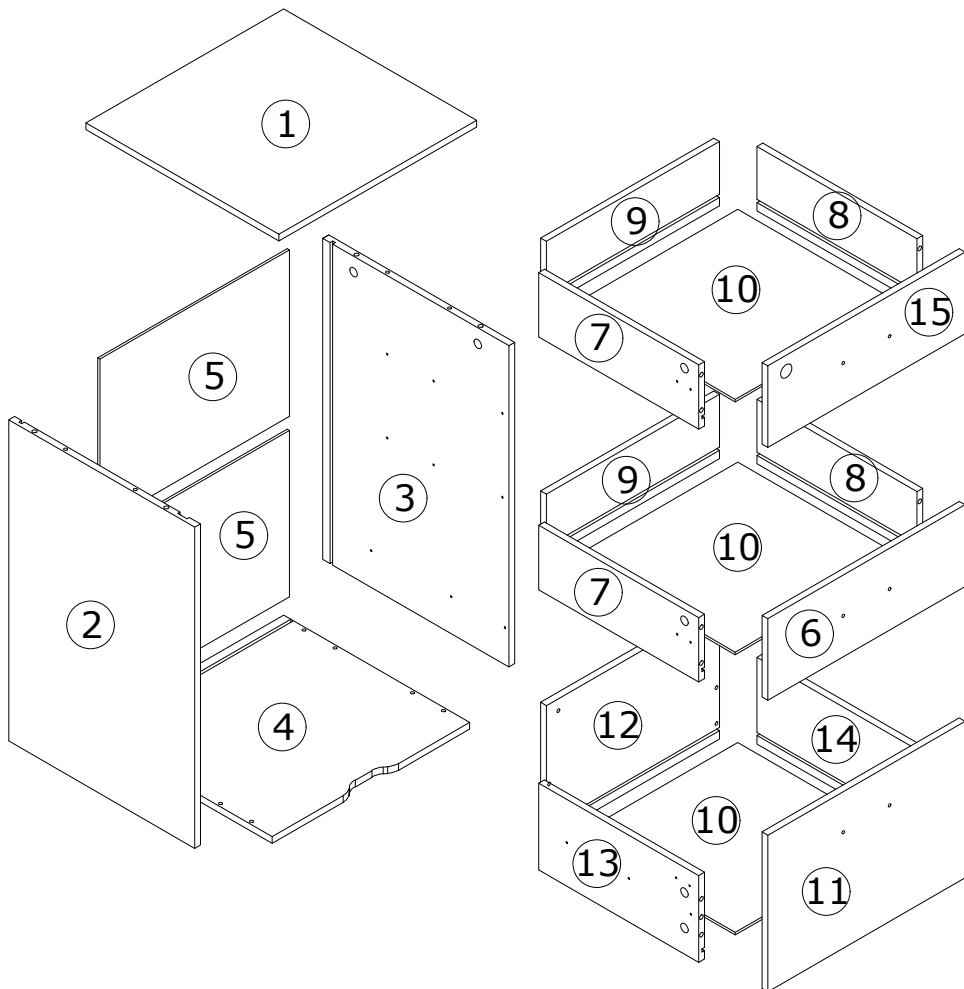
IMPORTANT NOTE:

- Place all laminated parts on a clean and smooth surface such as a rug or carpet to avoid the parts from being scratched.
- Check to be sure that you have all parts and hardware.
- Remove all wrapping materials, including staples and packing straps before you start to assemble.
- Don't tighten all screws/bolts until all the pieces are completely assembled.
- Keep all hardware parts out children's reach.
- It is recommended for 2 people to complete this assembled.



Assembly Instructions

Overall View

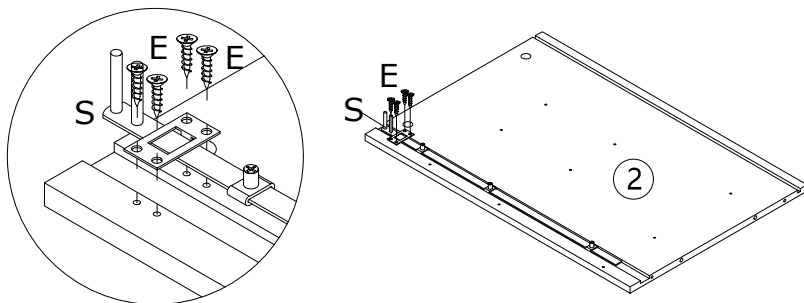
**IMPORTANT NOTE:**

- Place all laminated parts on a clean and smooth surface such as a rug or carpet to avoid the parts from being scratched.
- Check to be sure that you have all parts and hardware.
- Remove all wrapping materials, including staples and packing straps before you start to assemble.
- Don't tighten all screws/bolts until all the pieces are completely assembled.
- Keep all hardware parts out of children's reach.
- It is recommended for 2 people to complete this assembled.

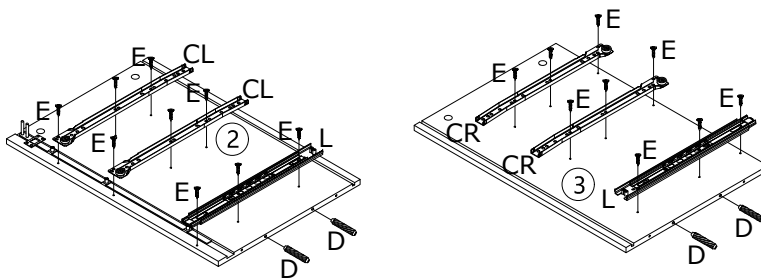
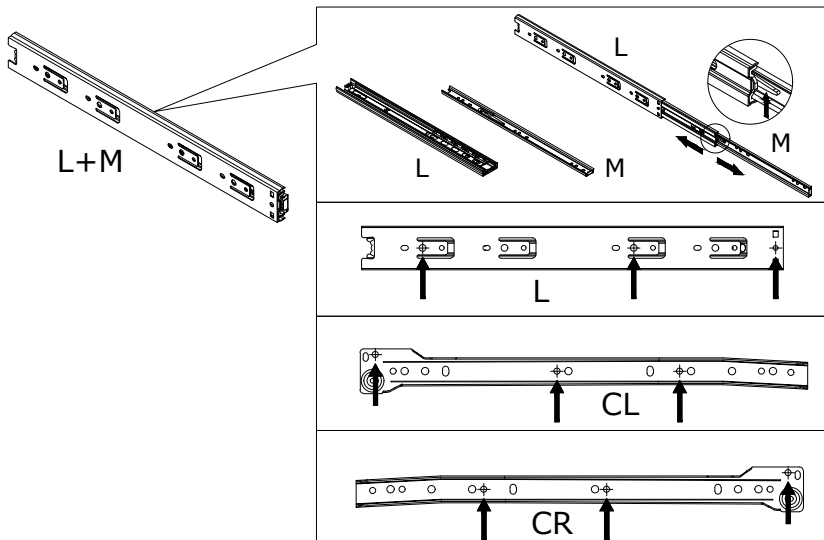


Two people are required to assemble and move this model.

Step 1

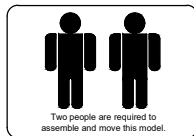


Step 2



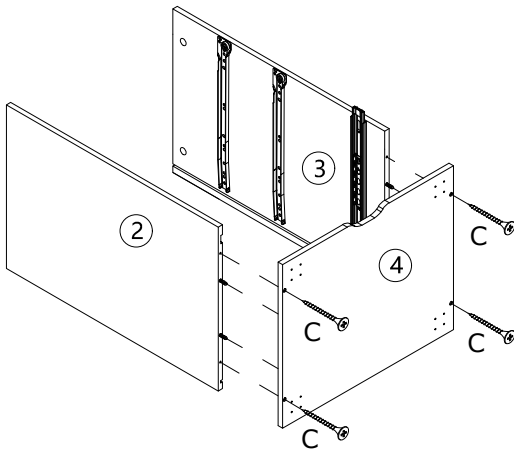
IMPORTANT NOTE:

- Place all laminated parts on a clean and smooth surface such as a rug or carpet to avoid the parts from being scratched.
- Check to be sure that you have all parts and hardware.
- Remove all wrapping materials, including staples and packing straps before you start to assemble.
- Don't tighten all screws/bolts until all the pieces are completely assembled.
- Keep all hardware parts out children's reach.
- It is recommended for 2 people to complete this assembled.

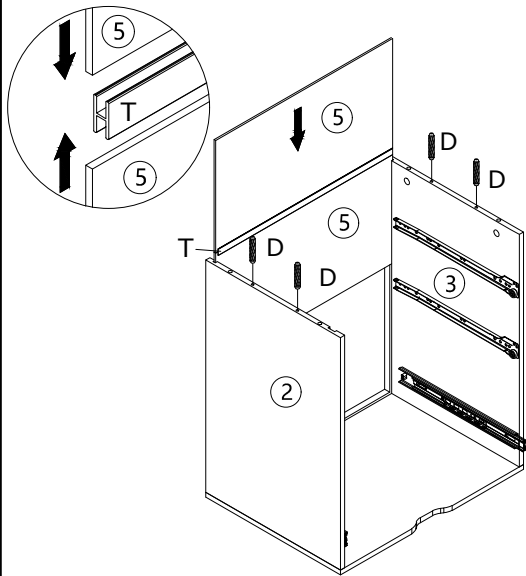


Assembly Instructions

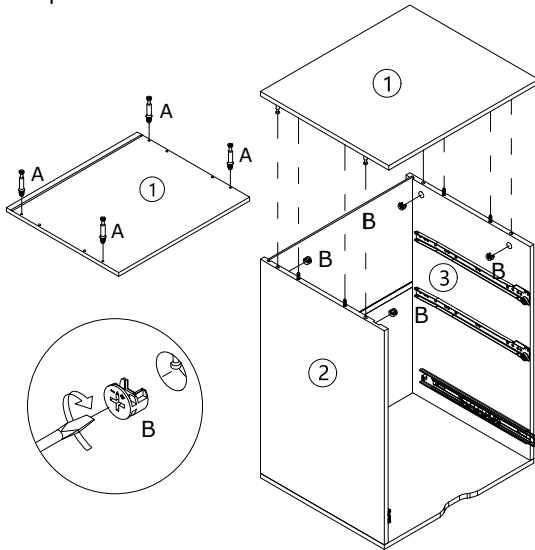
Step 3



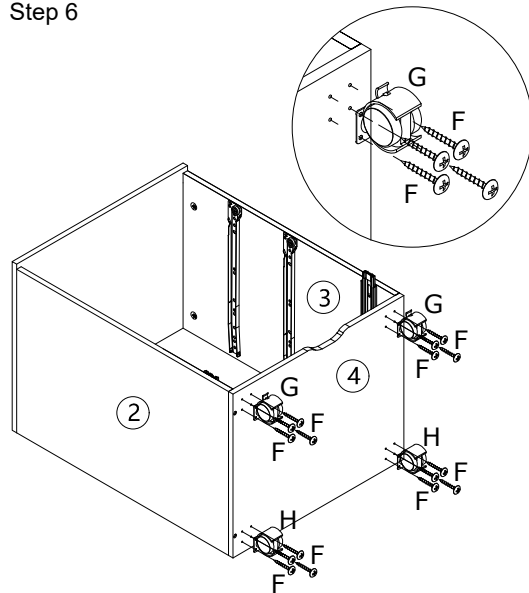
Step 4



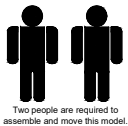
Step 5



Step 6

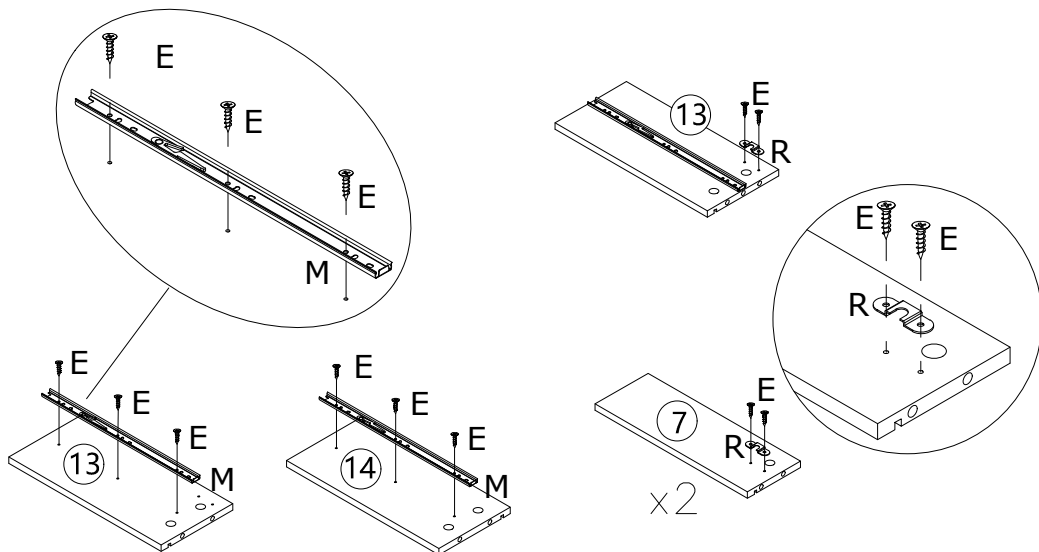
**IMPORTANT NOTE:**

- Place all laminated parts on a clean and smooth surface such as a rug or carpet to avoid the parts from being scratched.
- Check to be sure that you have all parts and hardware.
- Remove all wrapping materials, including staples and packing straps before you start to assemble.
- Don't tighten all screws/bolts until all the pieces are completely assembled.
- Keep all hardware parts out of children's reach.
- It is recommended for 2 people to complete this assembly.

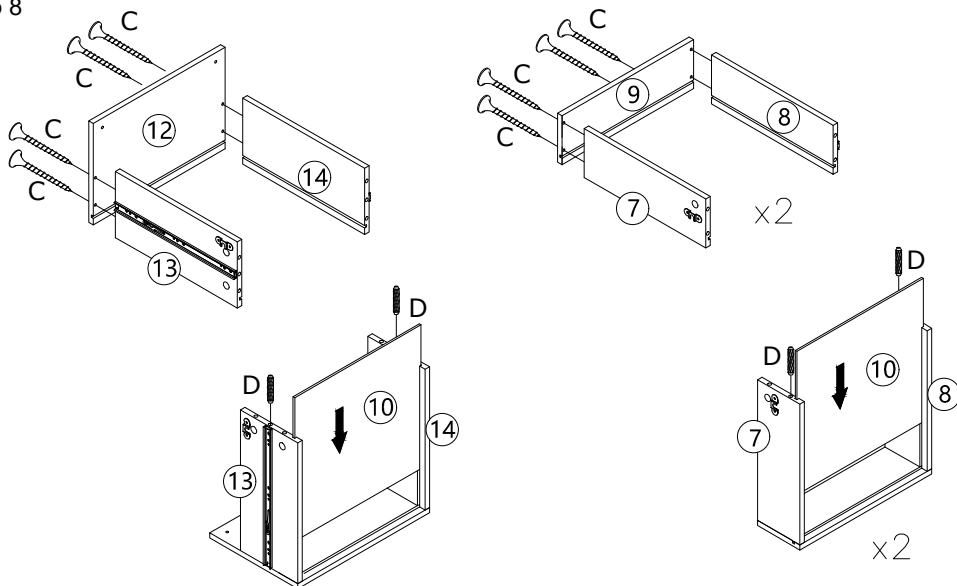


Assembly Instructions

Step 7

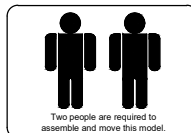


Step 8



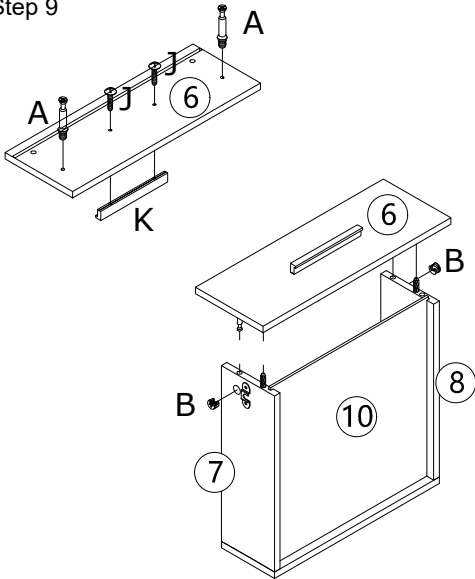
IMPORTANT NOTE:

- Place all laminated parts on a clean and smooth surface such as a rug or carpet to avoid the parts from being scratched.
- Check to be sure that you have all parts and hardware.
- Remove all wrapping materials, including staples and packing straps before you start to assemble.
- Don't tighten all screws/bolts until all the pieces are completely assembled.
- Keep all hardware parts out of children's reach.
- It is recommended for 2 people to complete this assembly.

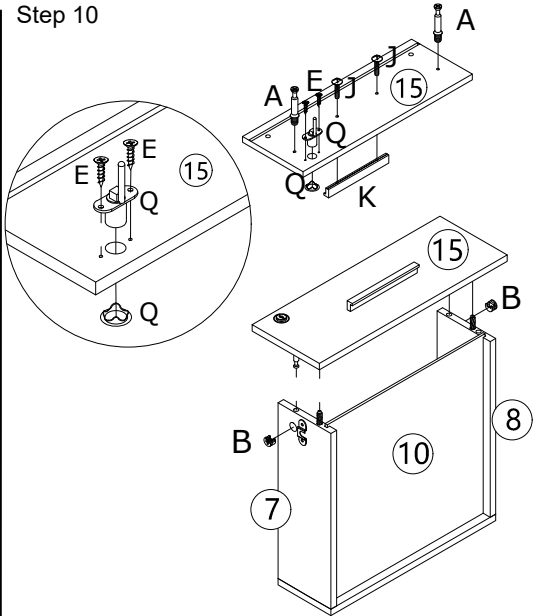


Assembly Instructions

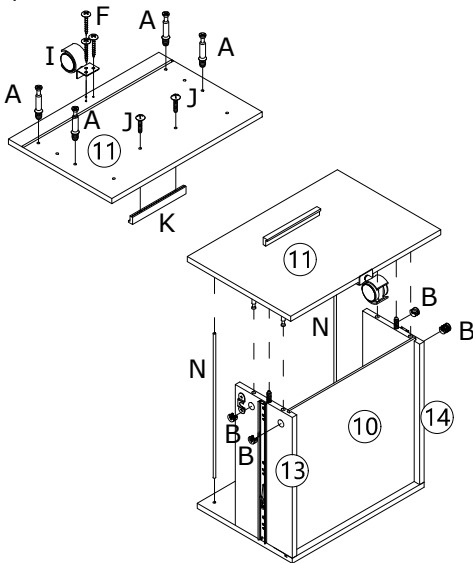
Step 9



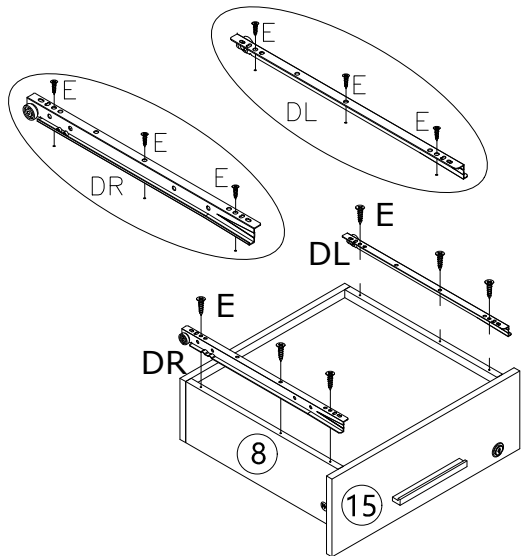
Step 10



Step 11

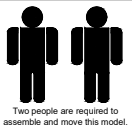


Step 12



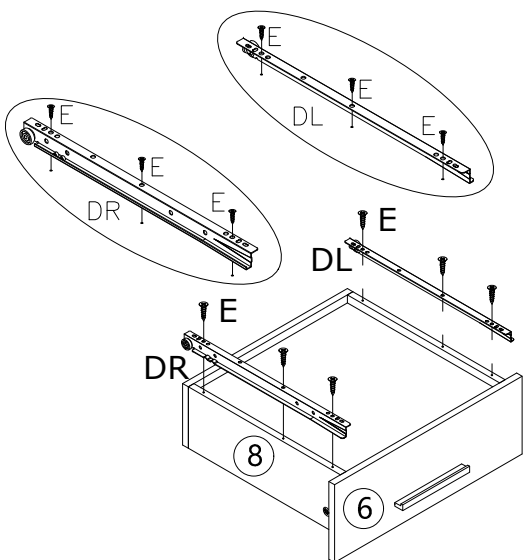
IMPORTANT NOTE:

- Place all laminated parts on a clean and smooth surface such as a rug or carpet to avoid the parts from being scratched.
- Check to be sure that you have all parts and hardware.
- Remove all wrapping materials, including staples and packing straps before you start to assemble.
- Don't tighten all screws/bolts until all the pieces are completely assembled.
- Keep all hardware parts out of children's reach.
- It is recommended for 2 people to complete this assembly.

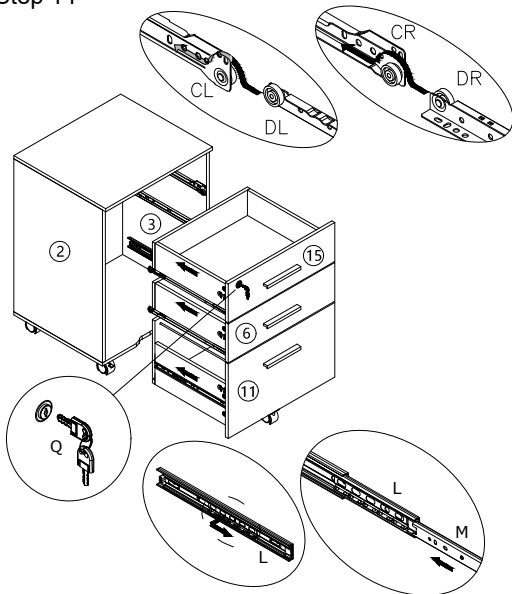


Assembly Instructions

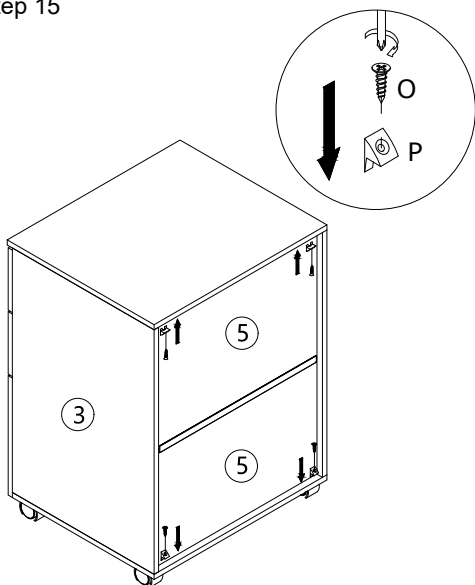
Step 13



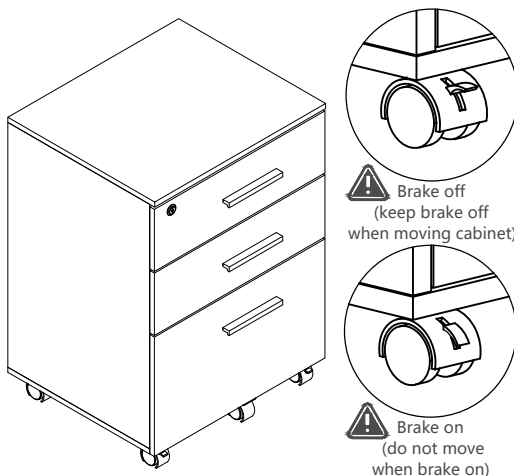
Step 14



Step 15



Step 16



IMPORTANT NOTE:

- Place all laminated parts on a clean and smooth surface such as a rug or carpet to avoid the parts from being scratched.
- Check to be sure that you have all parts and hardware.
- Remove all wrapping materials, including staples and packing straps before you start to assemble.
- Don't tighten all screws/bolts until all the pieces are completely assembled.
- Keep all hardware parts out children's reach.
- It is recommended for 2 people to complete this assembled.

