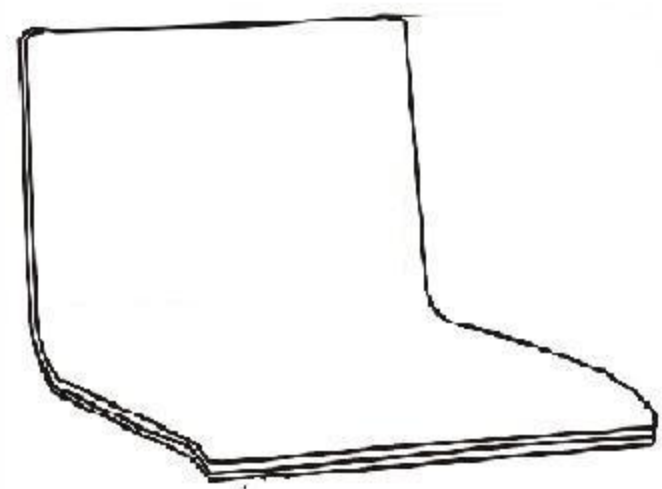


① SEAT



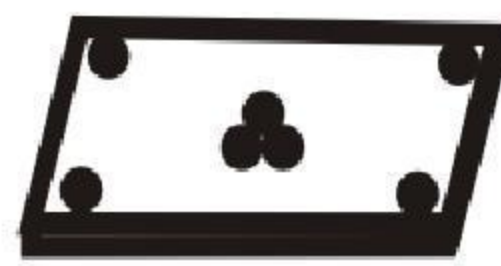
② GAS LIFT



③ COLUMN



④ BASE



⑤ Screw



M8x30  
3Pcs

⑥ Screw



M6x15  
4Pcs

⑦ Spanner



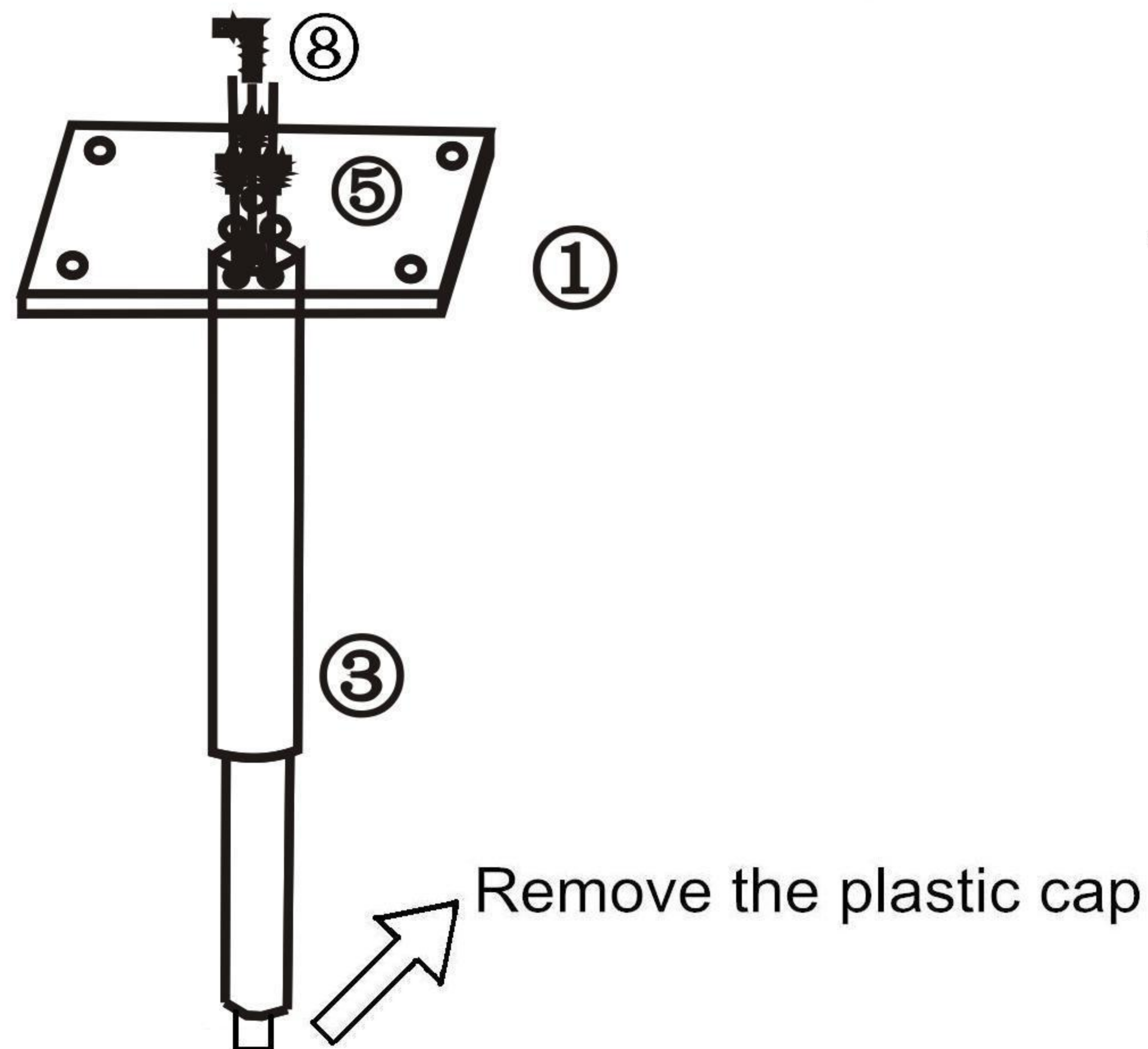
Φ4x1Pcs

⑧ Spanner

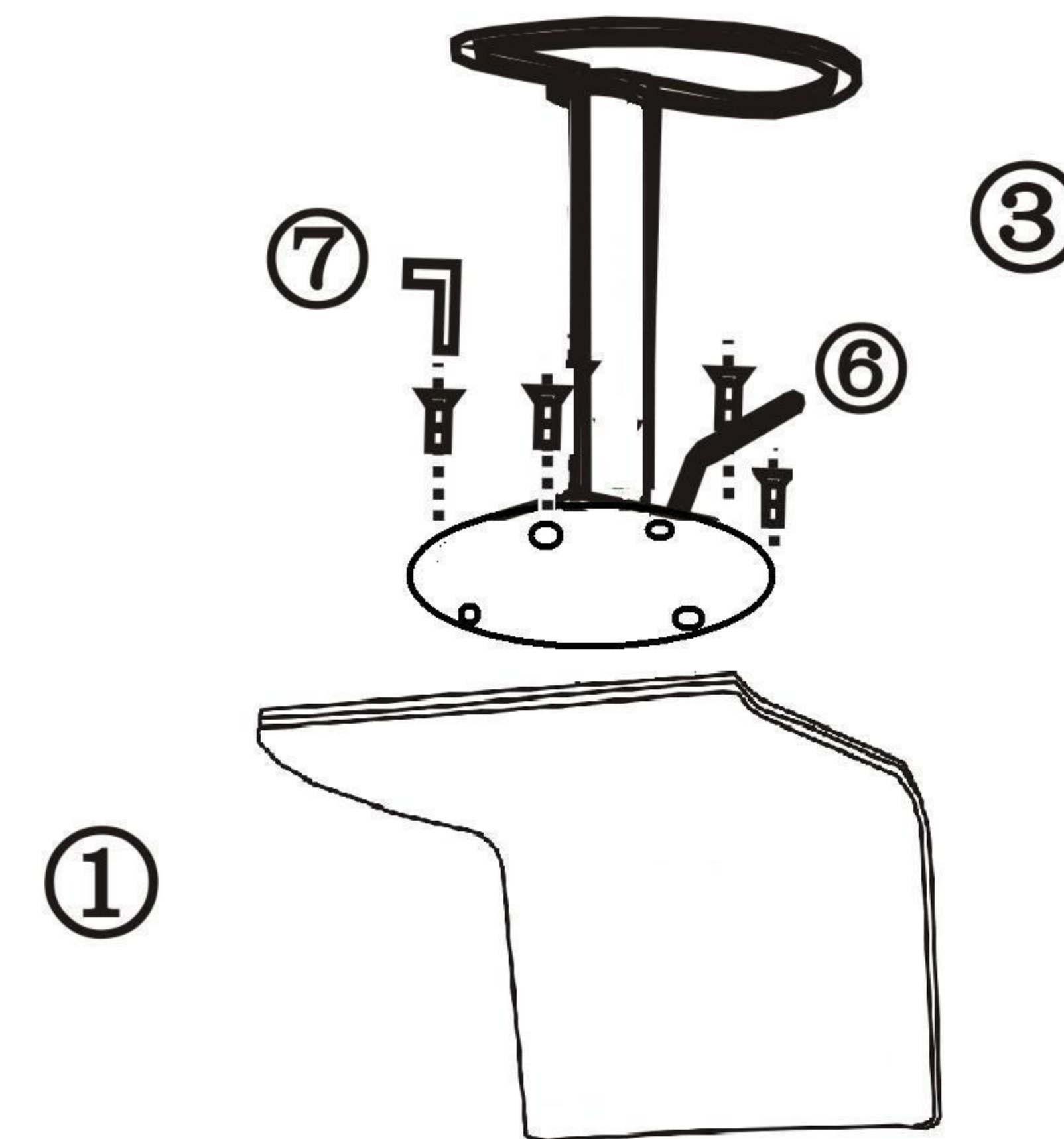


Φ5x1Pcs

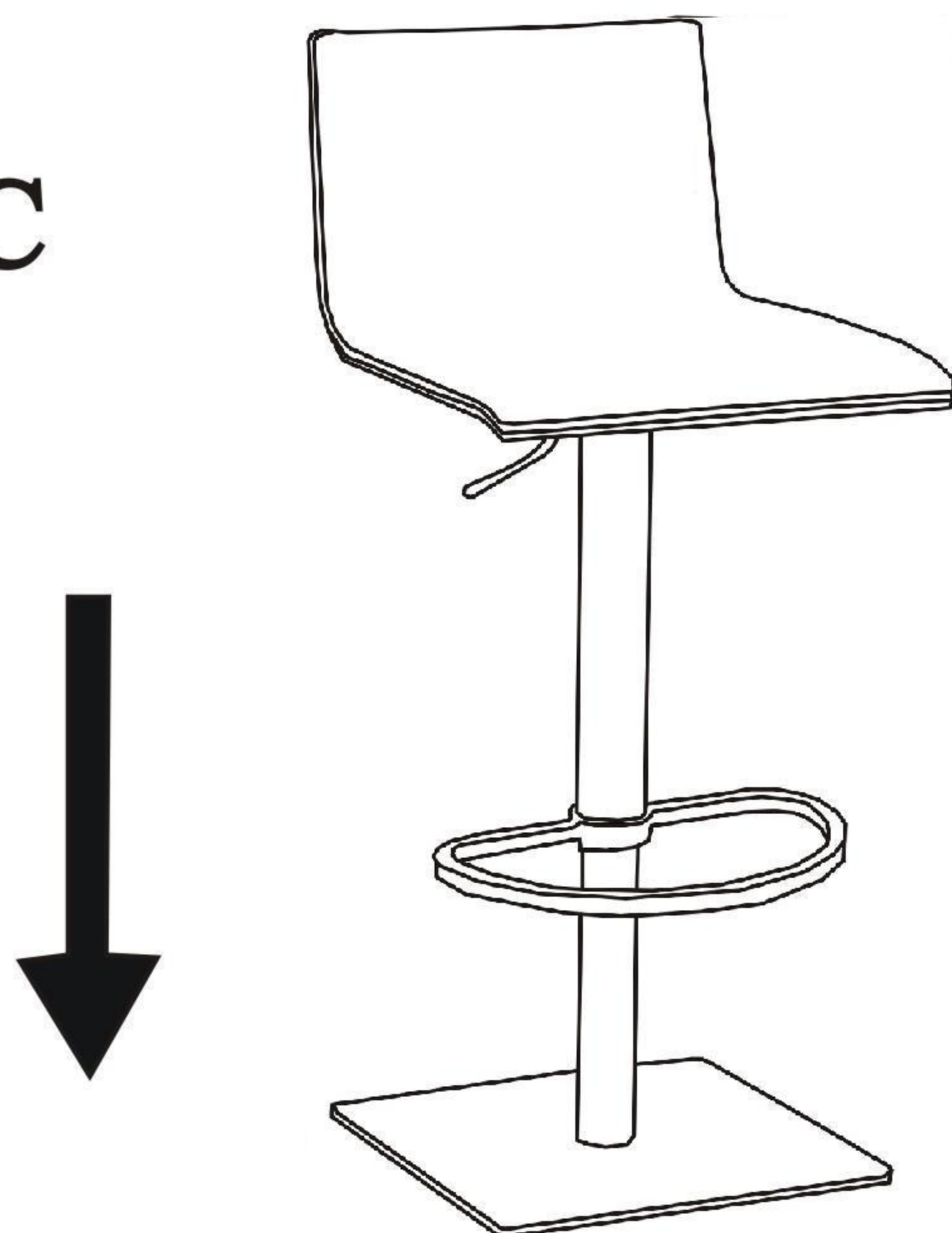
STEP A



STEP B



STEP C



STEP D

