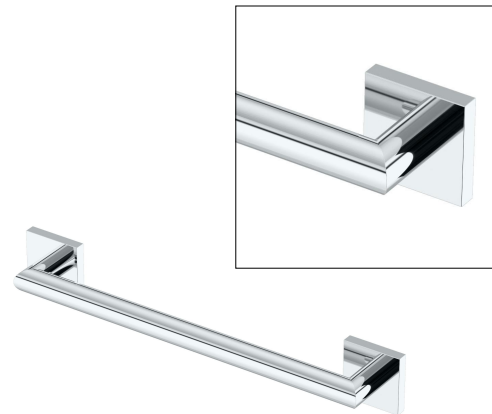


# Glam Too Collection

## Grab Bar Specifications

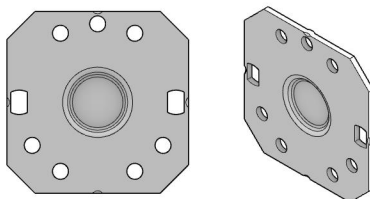
Bold and distinct, the Glam Too collection offers sophisticated simplicity for any modern bathroom.



### FEATURES & MATERIAL

GATCO's Grab Bars meet all Americans with Disability Act (ADA) & ASTM guidelines.

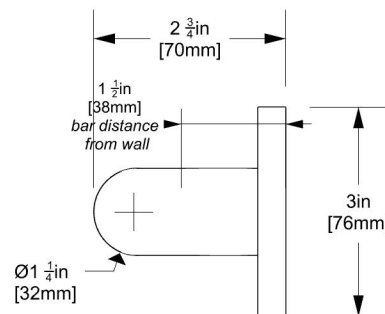
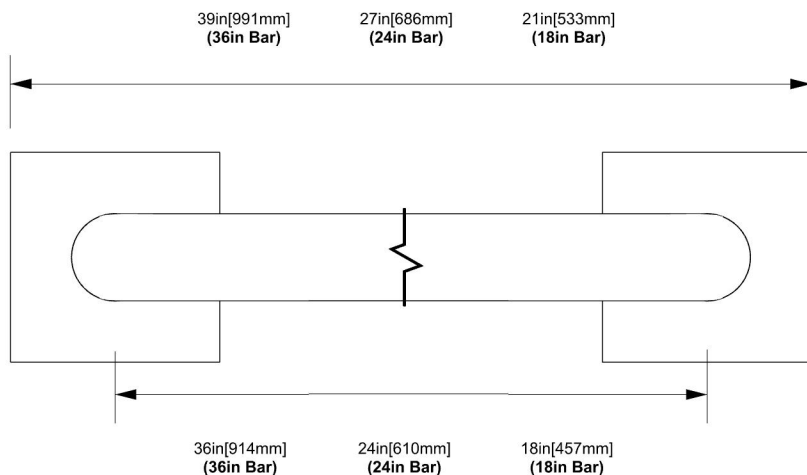
- Compatible with all major grab bar fastening systems
- Supports a minimum of 250lbs when properly installed
- 1 1/4 in. O.D. high caliber stainless steel bar
- Compliant to ICC/ANSI A117.1 accessibility standards
- Includes a LIFETIME WARRANTY



Mounting Bracket



### DIMENSIONS



Backed by our lifetime warranty, you can trust our products to always exceed your expectations and live up to their name.



1550 Factor Ave. San Leandro, CA 94577  
 Phone #: 800.227.5640  
 Email: cs@gatcoinc.com

The manufacturer reserves the right to, and do time to time, make changes and improvements in designs and dimensions.  
 Updated on January 27, 2025