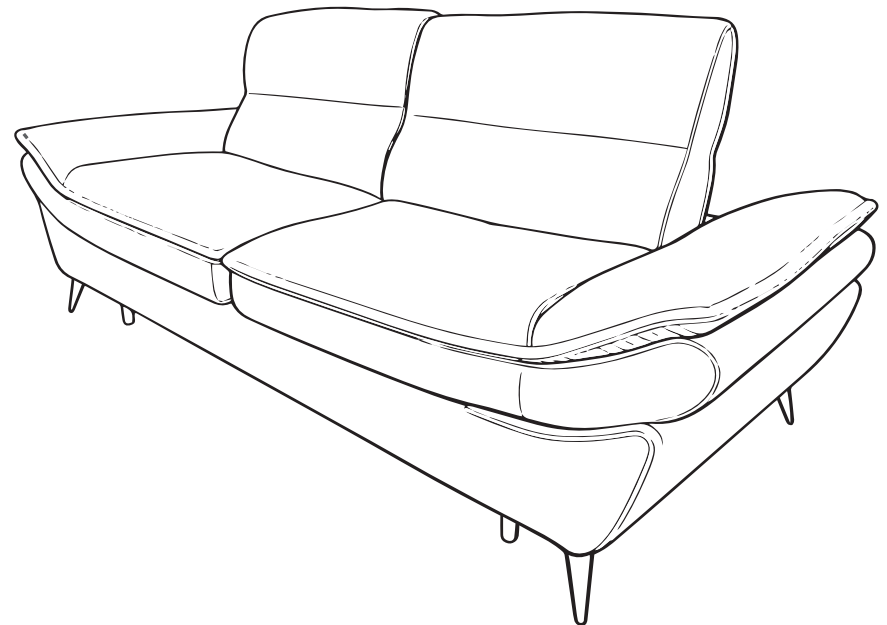


SECTIONAL SOFA 8046

USAGE GUIDELINES

(To use this product, please read this User Guide carefully)



Dear friends.

Thank you for using our products, in order to facilitate your correct operation of this product, please read this user guide carefully before use, and store it in a fixed place so that you can consult it in the future.

CATALOGS

Basic Product Parameters -----	01
Unpacking List -----	01
Installation instructions -----	04
Function Introduction -----	13
Transport and installation -----	14
Caveat -----	14
Methods of care -----	15





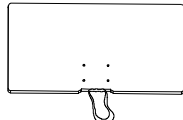


PREAMBLE

BASIC PRODUCT PARAMETERS

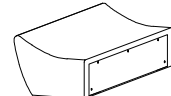

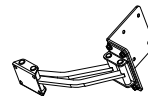
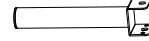
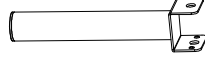
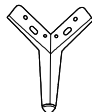

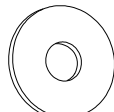
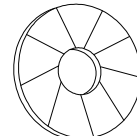
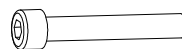
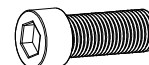
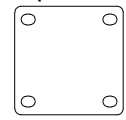
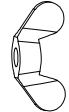
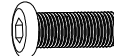
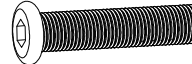

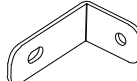

BRAND NAME	SECTIONAL SOFA
MODEL NUMBER	8046
SIZES	224X102X93CM;
MAKERS	Zhejiang Eskimo Technology Co., Ltd.
COMPANY ADDRESS	Building 4, No.63 Jiujuan Road, Shangcheng District, Hangzhou City, Zhejiang Province, China.

UNPACKING LIST

BOX A

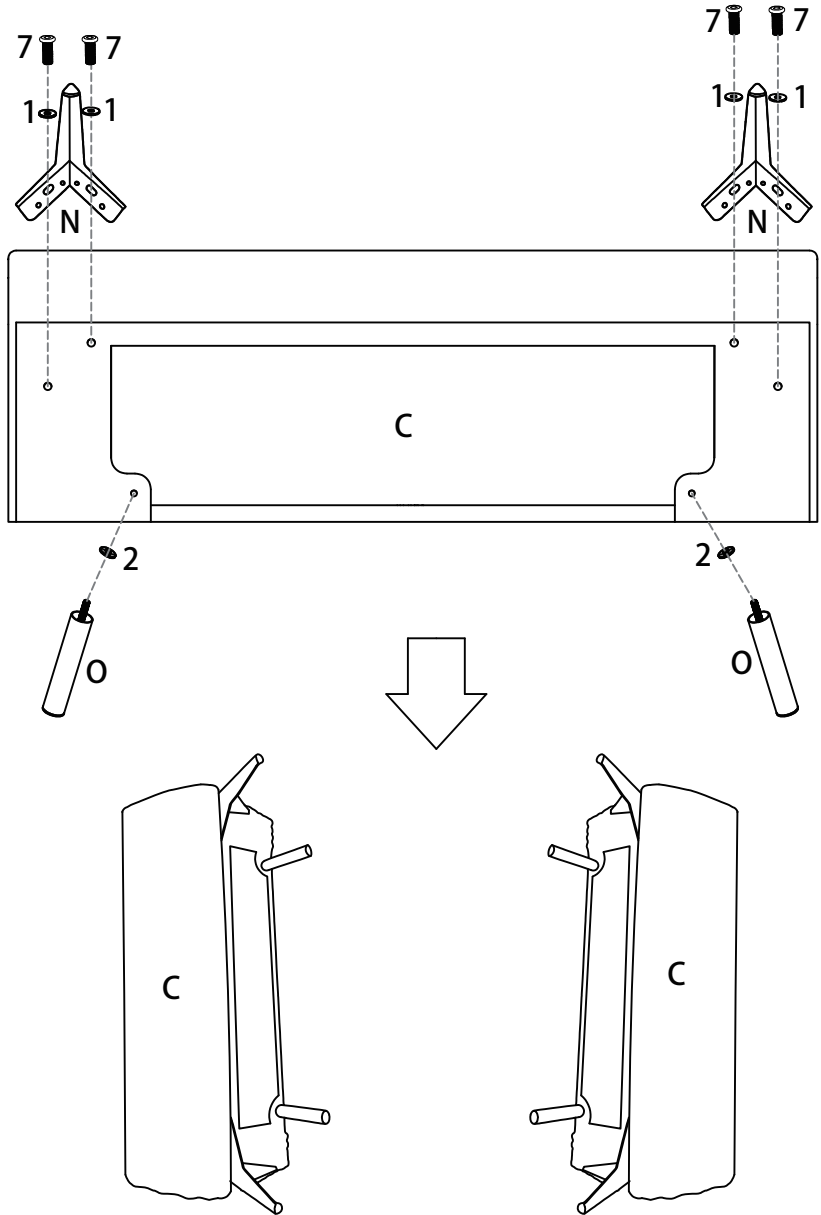
A Left seat frame  1PCS	B Right seat frame  1PCS	G Left seat cushion  1PCS	H Right seat cushion  1PCS
M Backrest  2PCS	D Rear decorative panel  1PCS	K Felt pad  1PCS	

BOX B

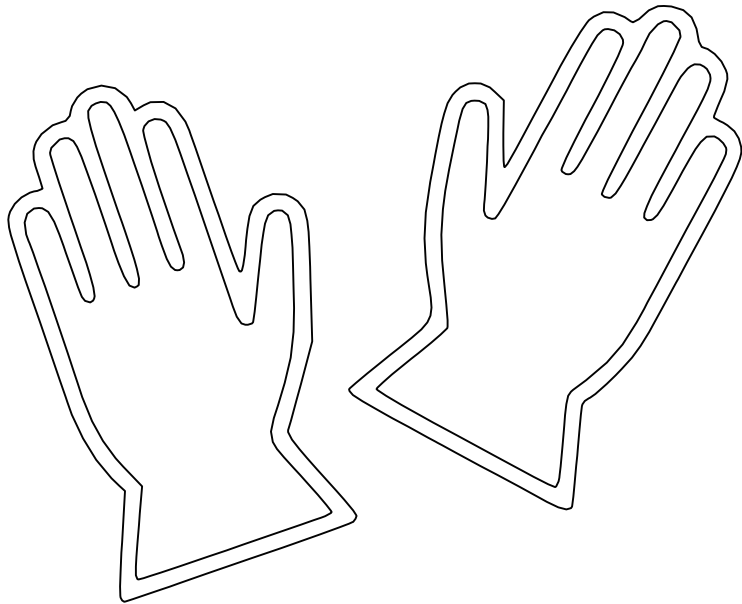
C Armrest  2PCS	E Back cushion  2PCS	F Backrest bracket  2PCS	I Front Middle leg 19.5CM  1PCS
J Back Middle leg 26.5CM  1PCS	N Armrest legs  4PCS	O Armrest legs  4PCS	
1 Flat washer  36PCS	2 Gasket  4PCS	3 Bolt M8*60mm  2PCS	4 Bolt M8*20mm  8PCS
5 Connecting iron piece  2PCS	6 Butterfly Nut  10PCS	7 Bolt M8*20mm  32PCS	8 Bolt M8*35mm  8PCS
9 Allen Key  1PCS	10 Connect the iron sheet  4PCS	11 Gloves  1PCS	

INSTALLATION INSTRUCTIONS

step1

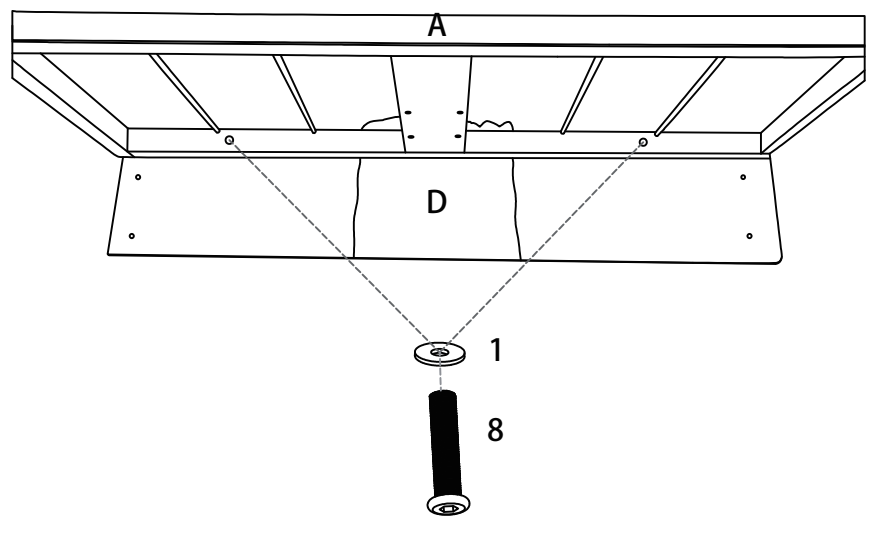


Wear gloves before assembly

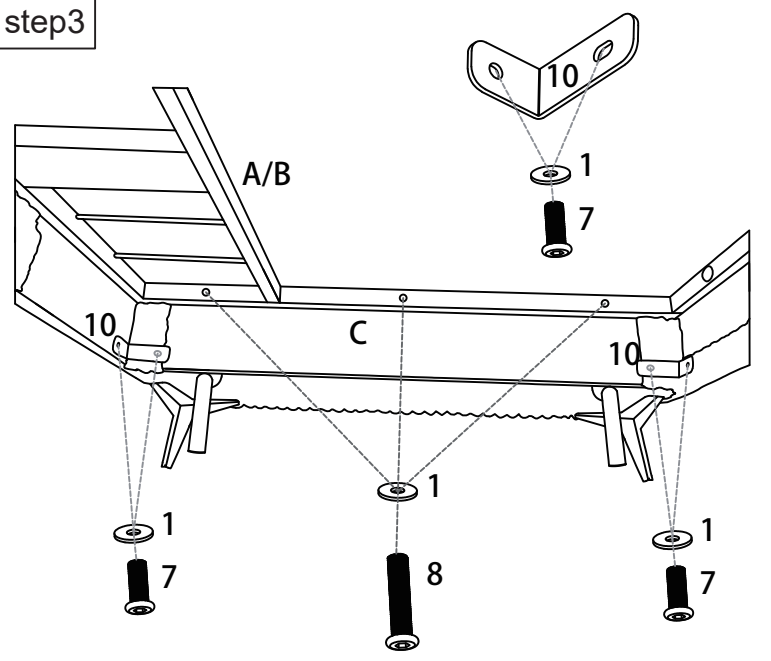


INSTALLATION INSTRUCTIONS

step2

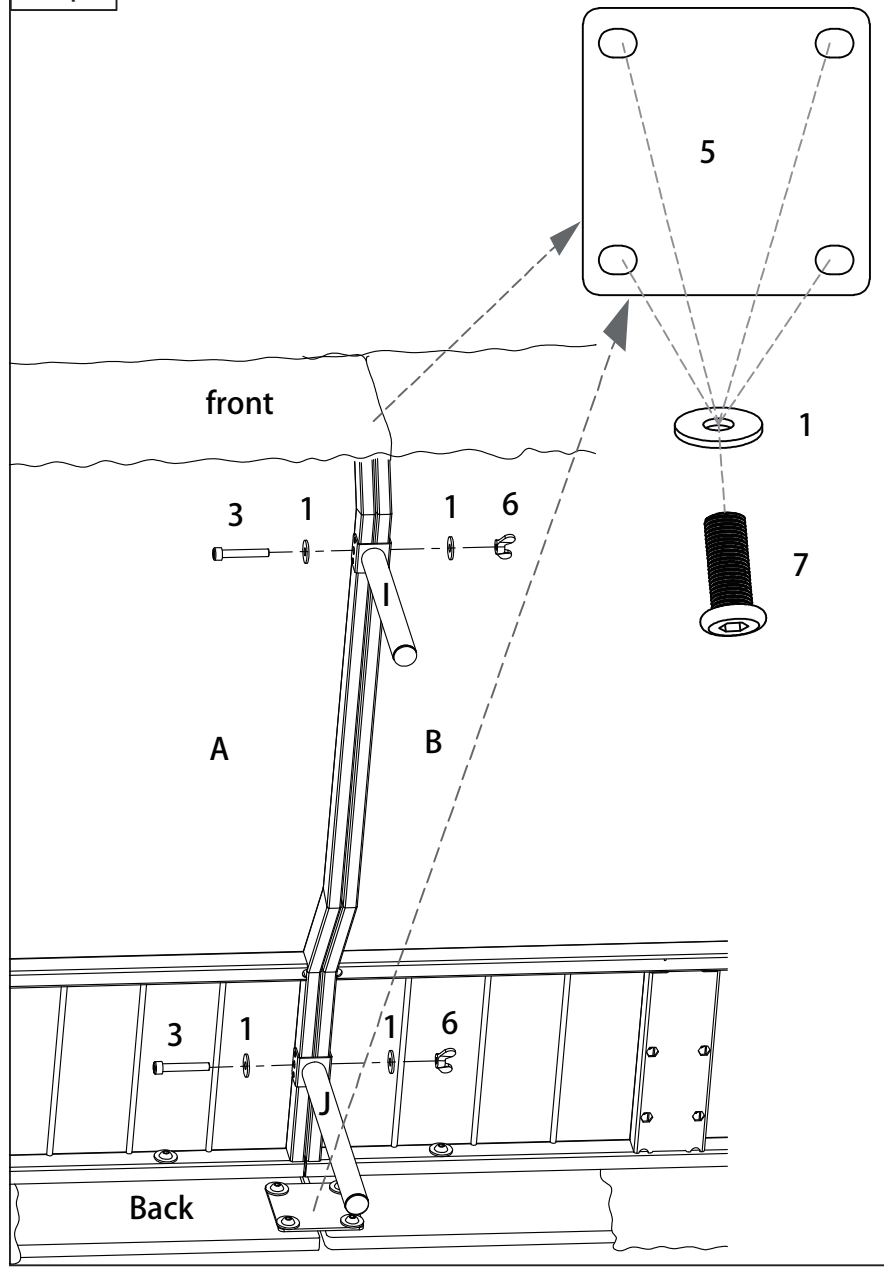


step3



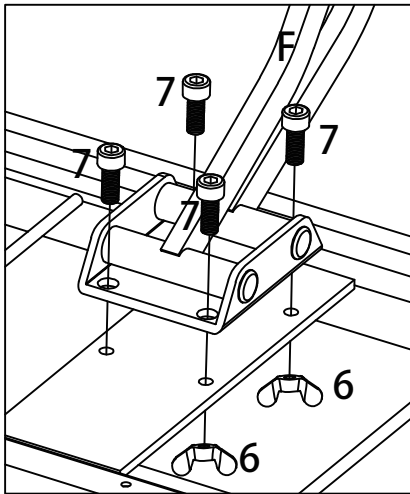
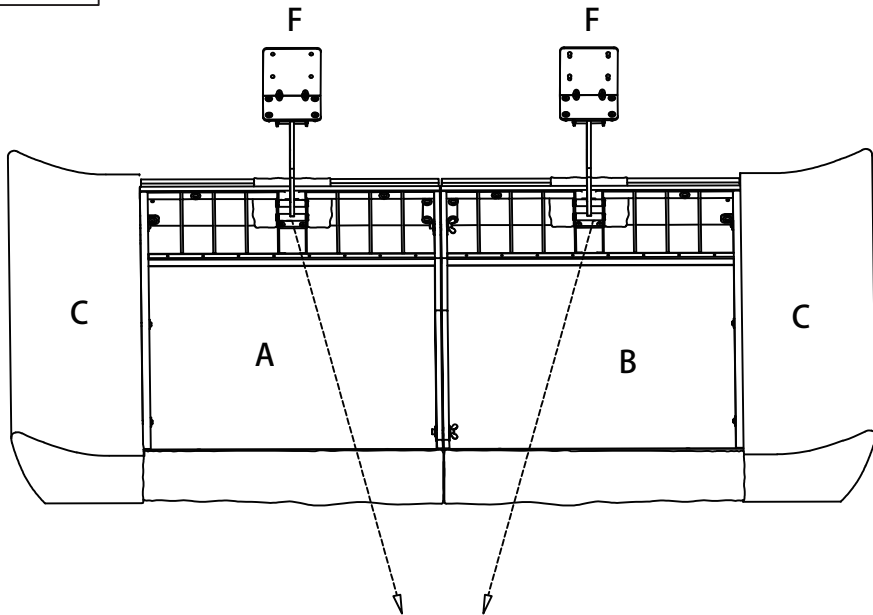
INSTALLATION INSTRUCTIONS

step4

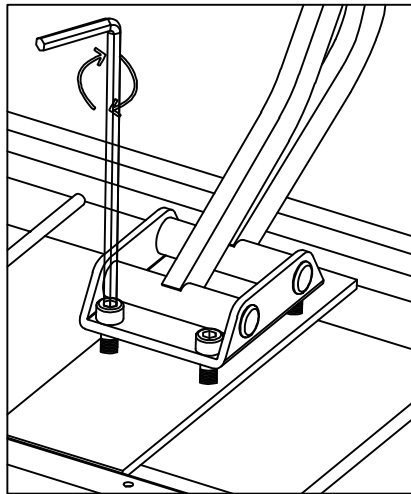


INSTALLATION INSTRUCTIONS

step5

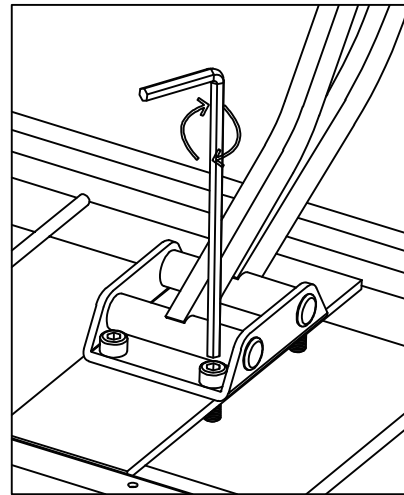


01

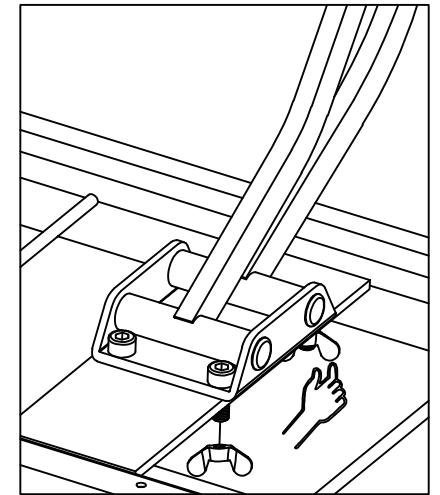


02 Twist 50% first

INSTALLATION INSTRUCTIONS

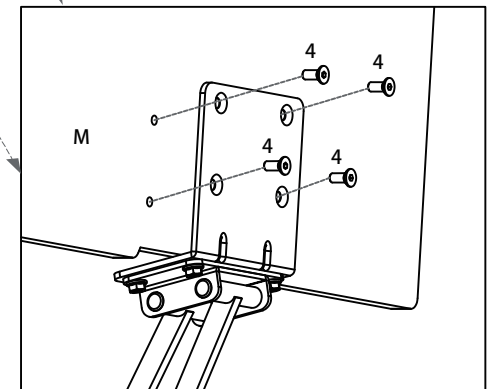
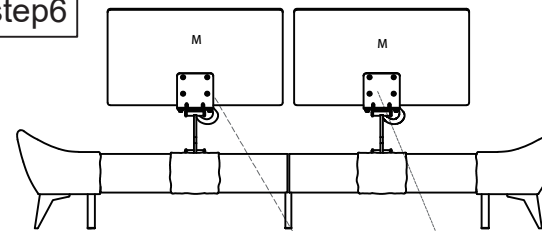


03 Tighten 100% again



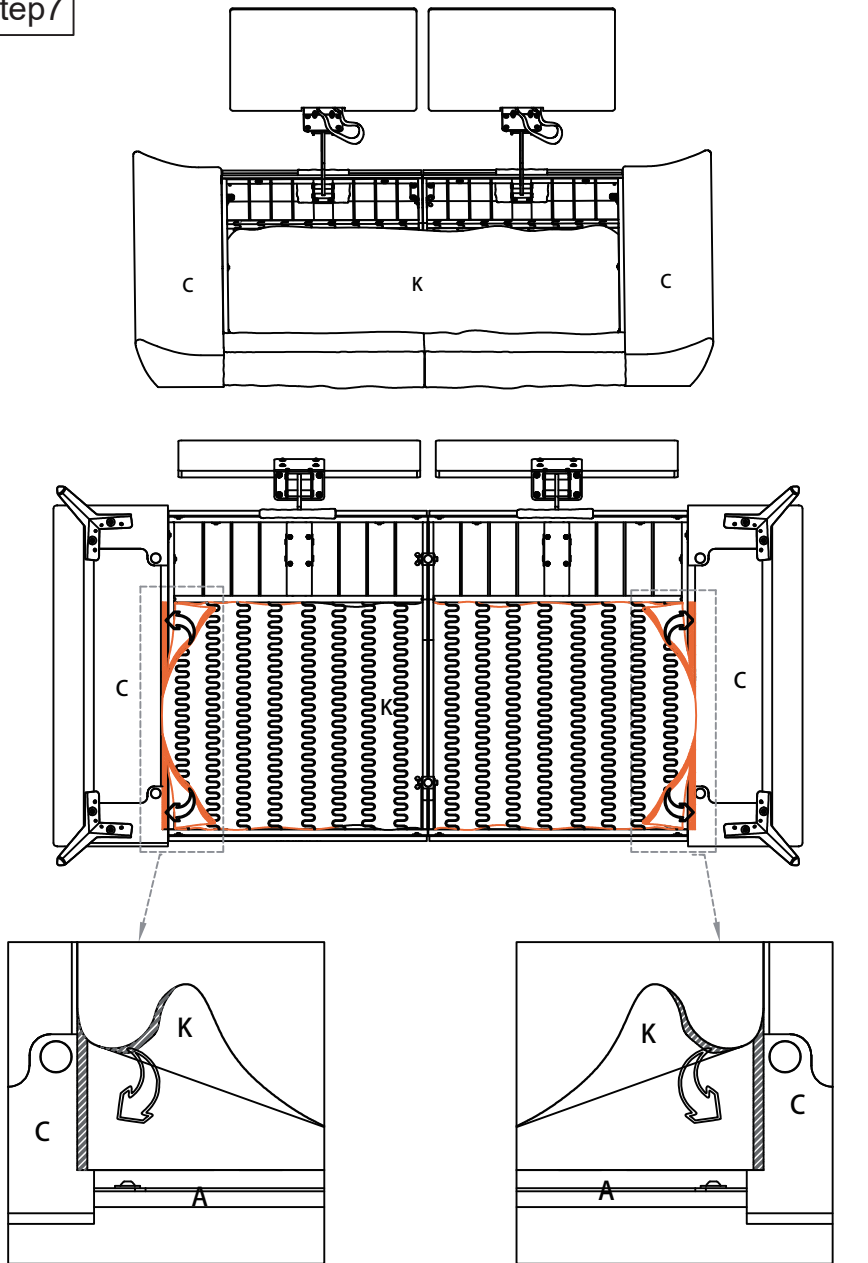
04 Finally, tighten the butterfly nut

step6



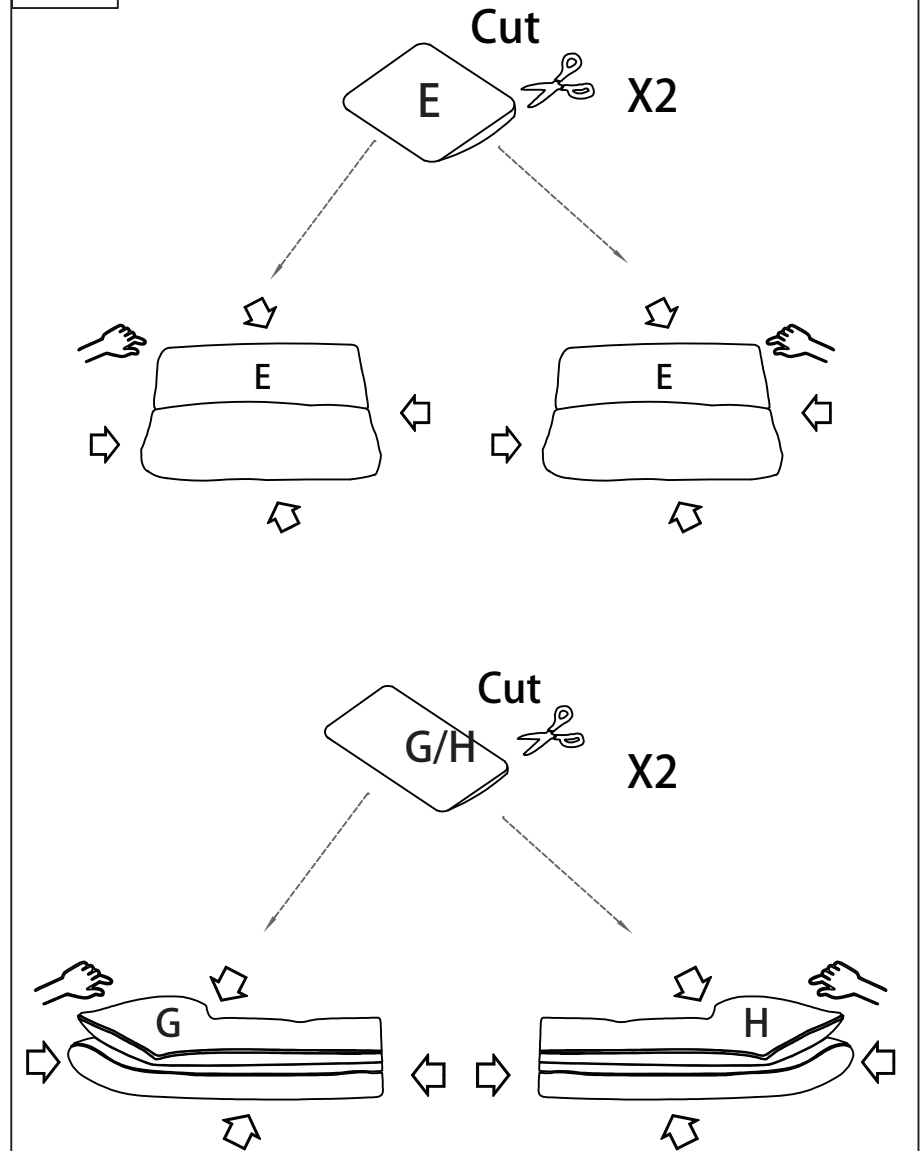
INSTALLATION INSTRUCTIONS

step7



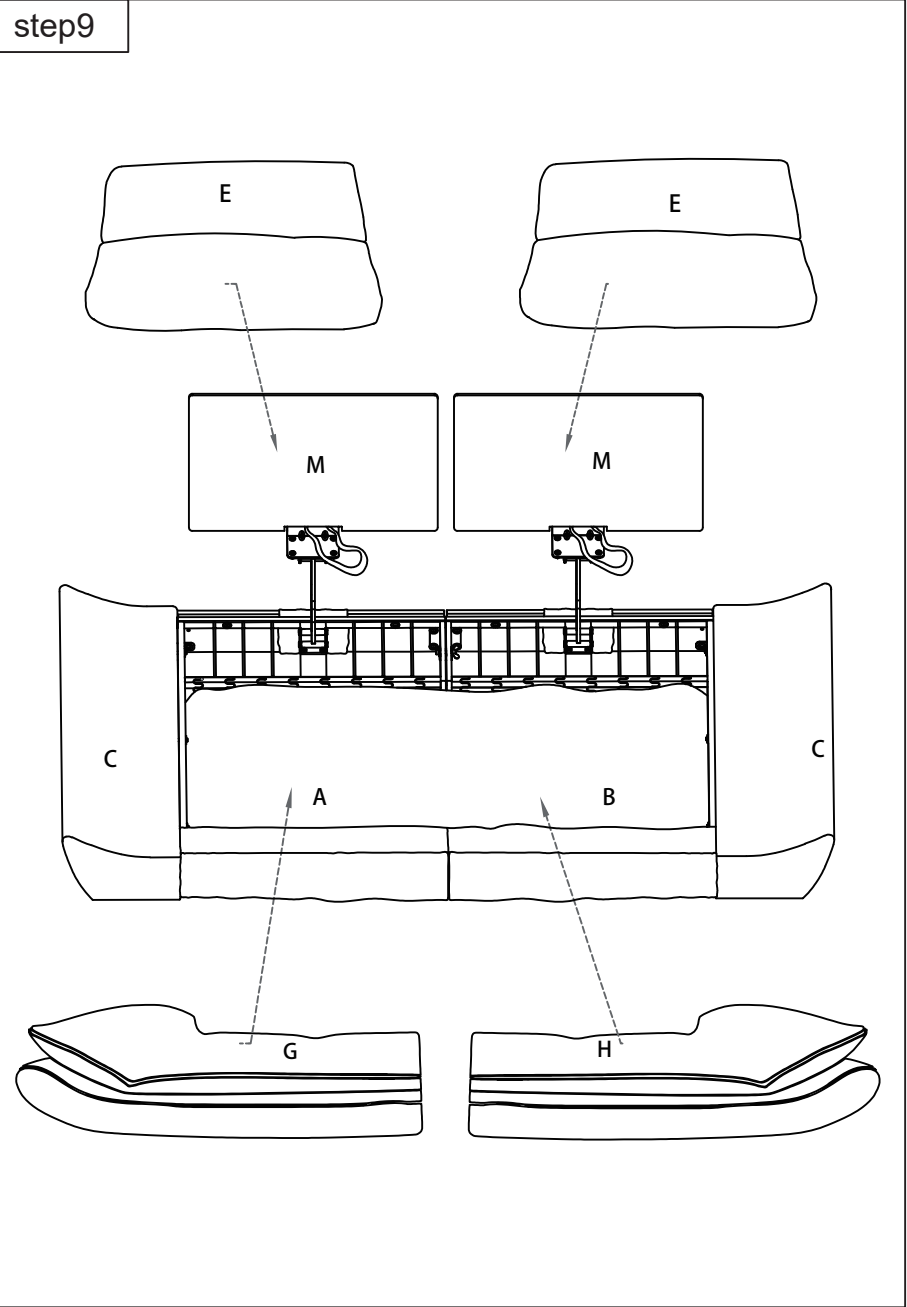
INSTALLATION INSTRUCTIONS

step8



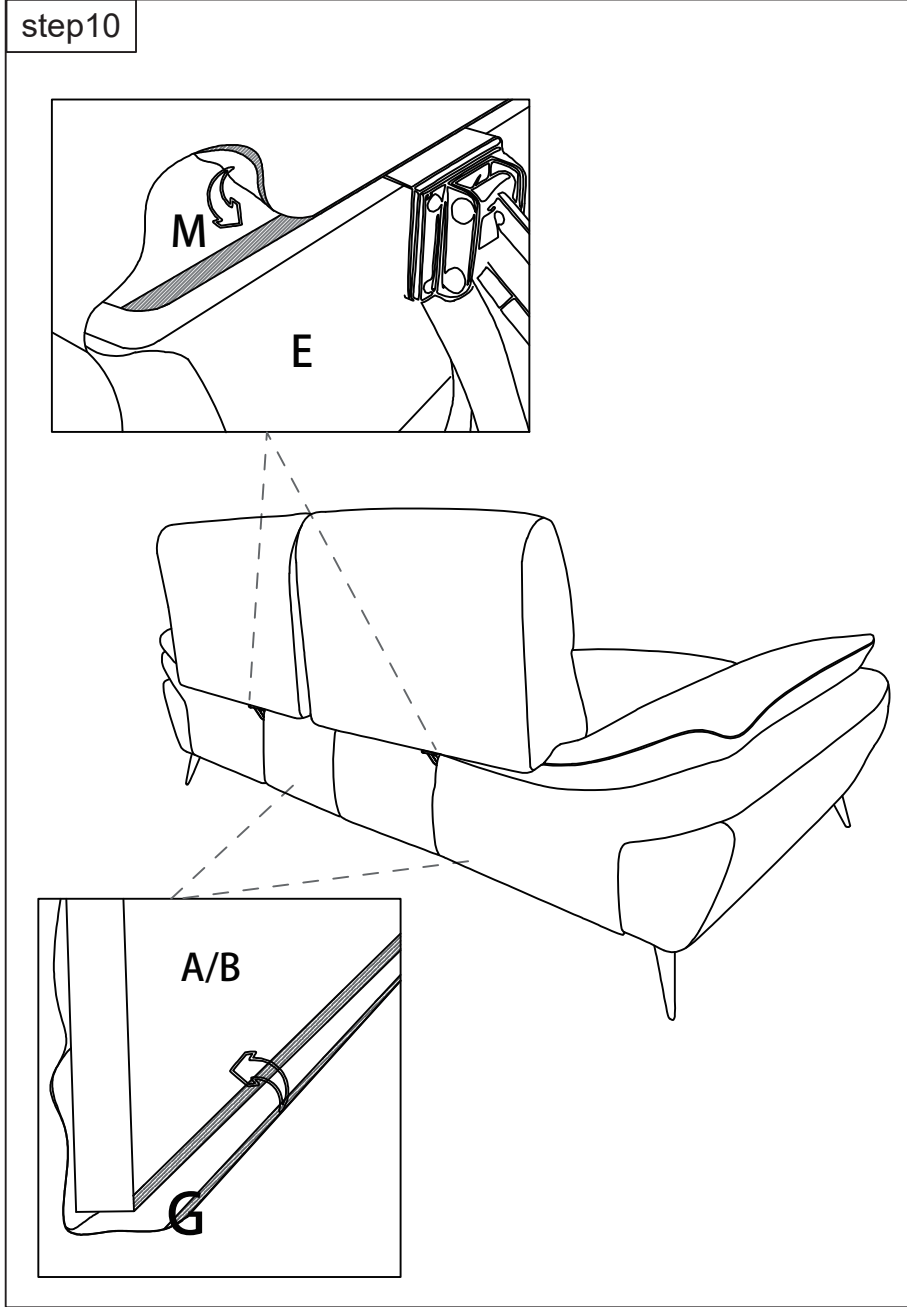
INSTALLATION INSTRUCTIONS

step9

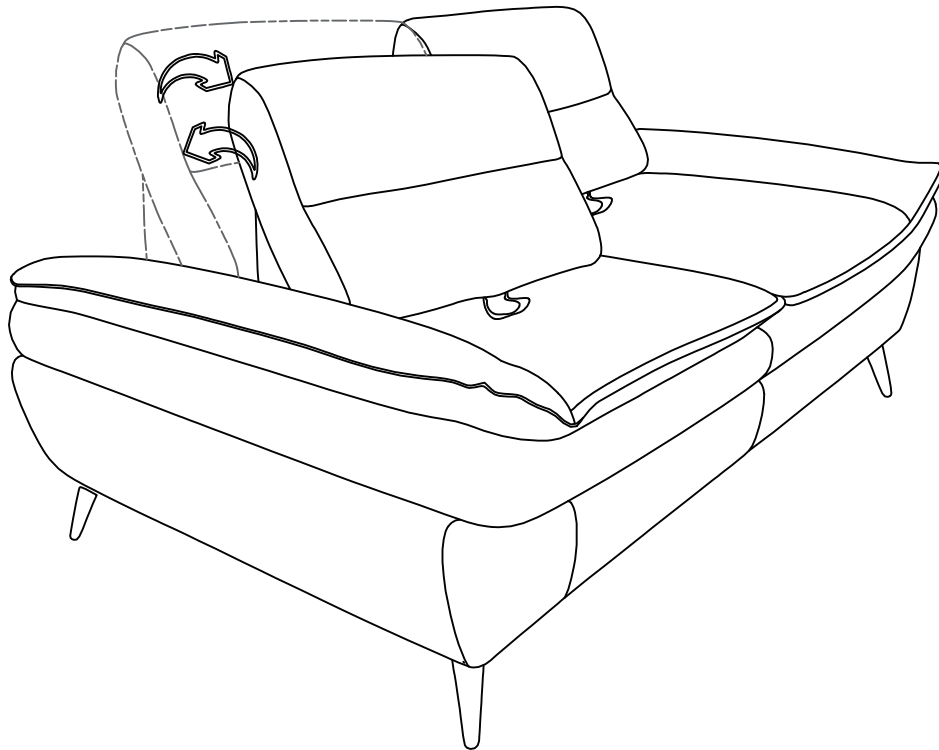
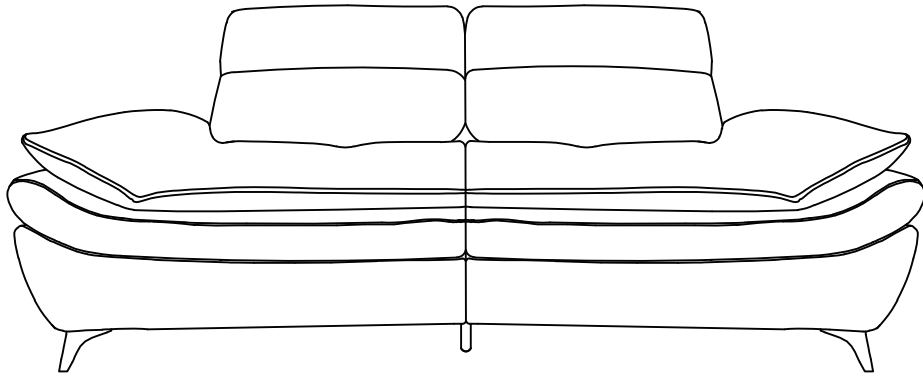


INSTALLATION INSTRUCTIONS

step10



FUNCTION INTRODUCTION



TRANSPORT AND INSTALLATION

1. The sofa should be especially protected against rain, moisture and crushing by heavy objects during transportation, in order to avoid quality problems during use.
2. Please make sure that the sofa has the safe access required for its entry before it enters your place of use.
3. Sofas are mainly fixed installation, a few are dismantling sofas. When purchasing a sofa, please give full consideration to the size of the door frame and the movable space of the entrance door. If necessary, ask a professional to disassemble the sofa and reassemble it after entering the house, so that it will not damage the sofa's internal structure, seating sensation and surface effect.

CAVEAT

Please read all instructions before use.

If in any doubt about safety, contact a specialized technician for inspection. When using this product, basic safety precautions must be observed to avoid the risk of injury to persons, including the following.

1. Do not use this product in high humidity environments.
2. Do not store or use this product outdoors or in direct sunlight.
3. Someone must be present to watch over children, disabled people or people with reduced mobility when they are near or using the sofa.
4. After using the sofa, please turn off the on/off function of the backrest/-footrest completely before getting up to avoid accidents.
5. Do not sit on the footrest when using the massage sofa to avoid accidents.
6. Do not try to stand on the armrests or backrests to avoid the massage sofa toppling over, this may cause an accident.
7. Always keep the sofa clean and avoid inserting other objects into the gap of the sofa.
8. Please ensure that there are no other obstacles under the footstool or backrest when lowering it, especially for children.

It is not recommended that children use the appliance alone. The following aspects must be considered.

1. Do not allow children to play freely on the sofa alone without adult supervision to be! Limbs may get caught in the seams of the product and the sofa may tilt and cause the child to fall.
2. Do not leave children unattended near the sofa when it opens and closes to avoid unnecessary injuries.

METHODS OF CARE

1. Avoid placing the sofa in direct sunlight above 30°C. Every 10-15 days, use a vacuum cleaner to remove dust etc. and clean the entire sofa.
2. Remove stains as soon as they are stained and avoid scratching or other damaging treatments, thus permanently maintaining the quality of the fabric surface. The surface of the sofa can be covered with a tight-fitting protective cover. When stained with ink-like stains, wipe with a soft white cloth or absorbent paper.
3. If a solvent is to be used to remove a stain, avoid applying it directly to the stain, but pour it onto a clean cloth first and then try to clean the hidden areas on the back. The stain should be wiped in a circular motion from the outside in until it is completely removed. Immediately after wiping, a low-power hair dryer should be used to dry the clean area from the outside in.
4. Be gentle and careful when wiping stains and spots, do not use excessive force. The massage sofa can be covered with a removable, tight-fitting protective cover.
- 5, If you have covered the sofa with a tight-fitting protective cover, please follow the instructions listed on the cover and clean it with a cleaner that does not contain bleach or oxidizing agents. Otherwise the texture and color of the fabric will change.
6. Vacuum regularly:
Vacuum once a week, paying special attention to removing dust between fabric folds. If there are stains, wipe with a dampened clean cloth to avoid leaving traces, preferably from the edge of the stain.
7. How to clean effectively:
Generally speaking, a soft cotton cloth can be moistened with a 1:10 soap

flake solution or 1:20 advanced shampoo, wrung out and gently wiped the stained area. If the stain is too heavy, repeat the process a few times and the stain will be removed. Don't use too much force or the fabric will fade.

8, How to remove stubborn stains:

If the sofa is stuck with chewing and other gelatinous substances, use an ice pack or ice water to cool it down, and then gently wipe it off with a fine silk cloth.