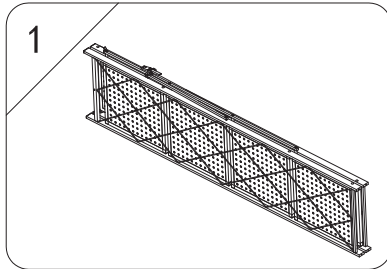


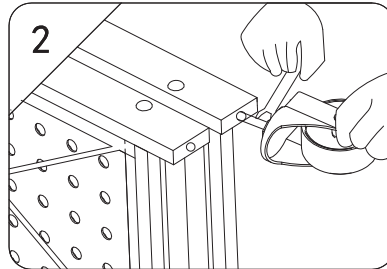
Three/four/five-layer folding commodity shelf

Installation Manual

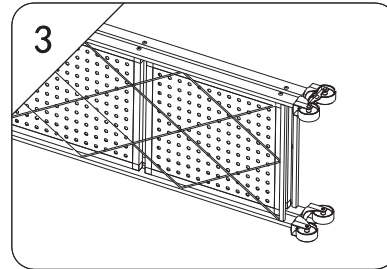
① Open package and take out product.



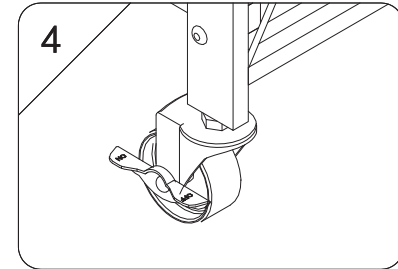
② Install wheel with spanner



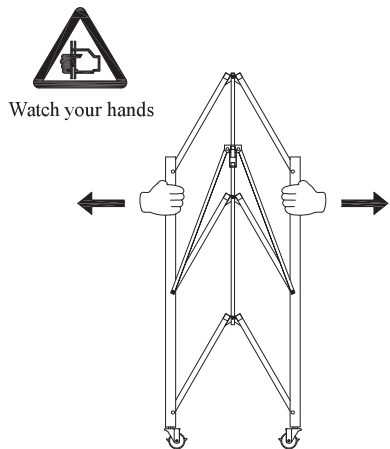
③ Ensure four wheels are installed in place



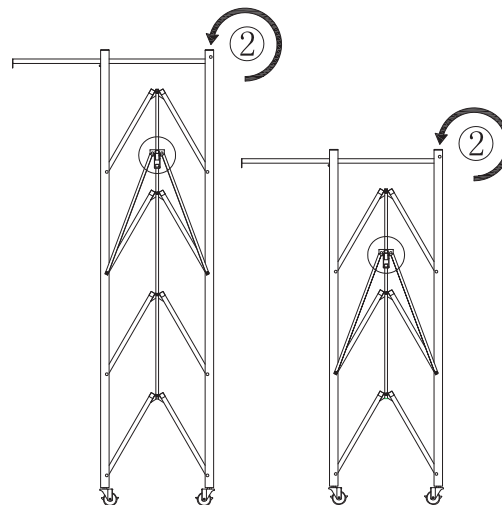
④ Loosen wheel brake



① Hold commodity shelf with hands, then unfold shelf steadily, and watch your hands upon opening



② Turn over four/five-layer top plate, flatten and buckle up clip



③ Fasten lock catch and fix scaffold for installation completion

