

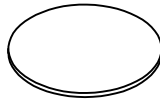
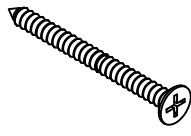
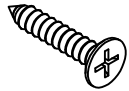
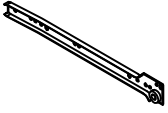
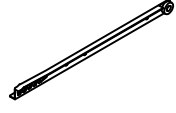
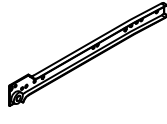

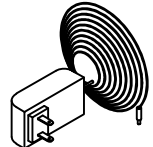
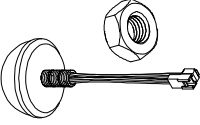


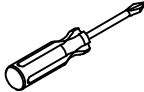
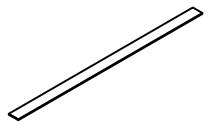
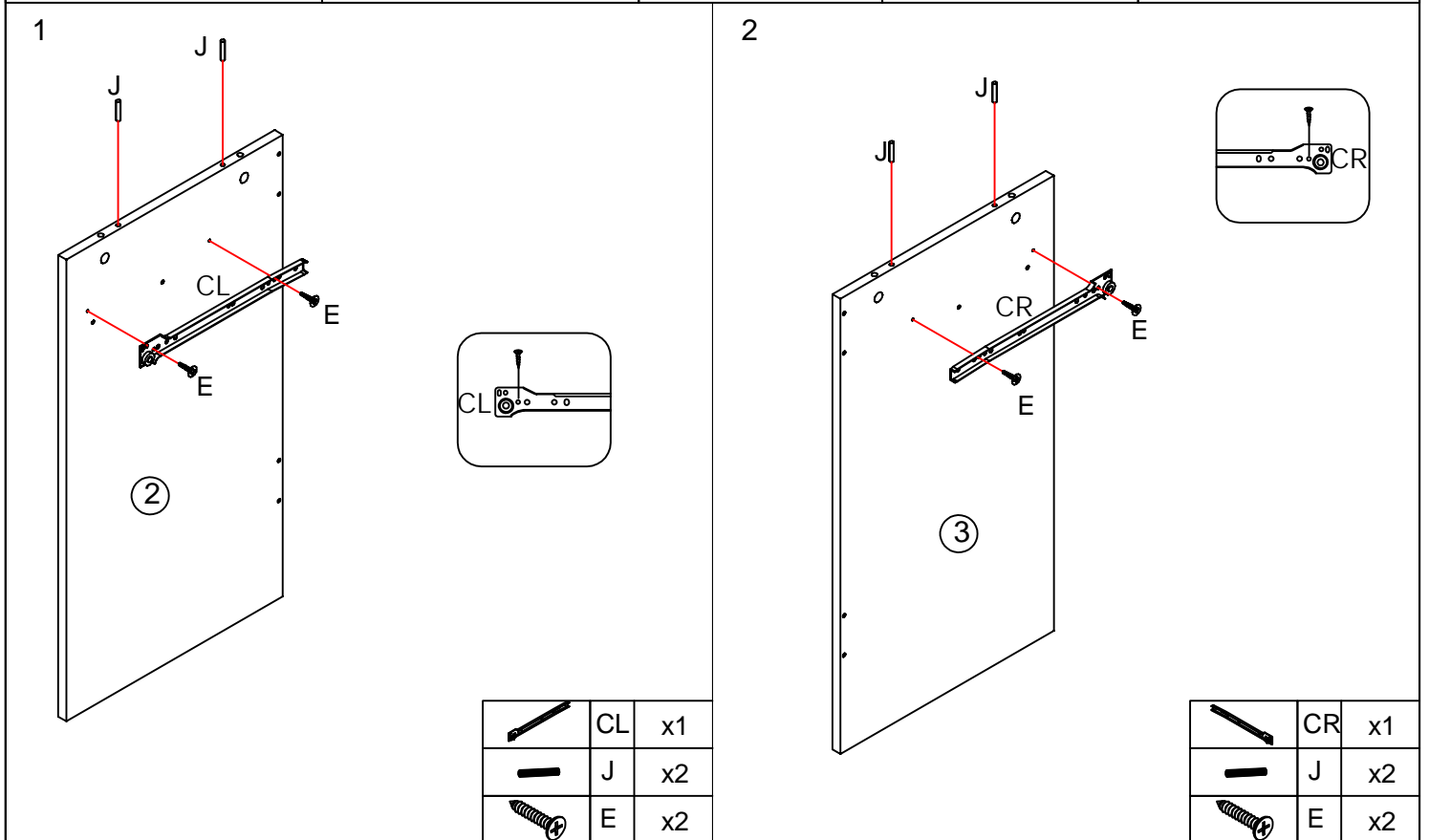
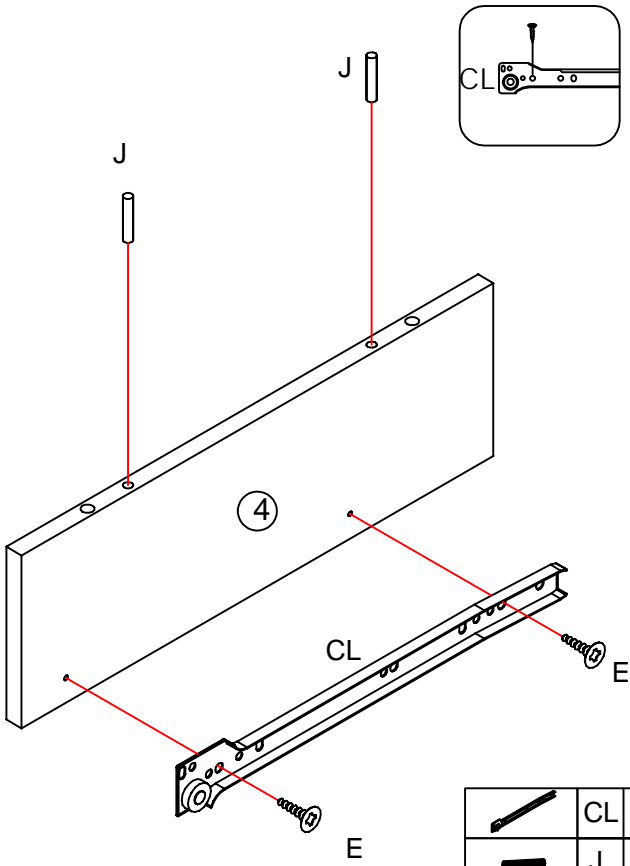


<p>A</p>  <p>M6x35 x42</p>	<p>B</p>  <p>Ø12 x42</p>	<p>Z</p>  <p>Ø15 x54</p>	<p>D</p>  <p>M4x35 x36</p>	<p>E</p>  <p>M4x12 x24</p>
<p>CR</p>  <p>300MM x2</p>	<p>DR</p>  <p>300MM x2</p>	<p>CL</p>  <p>300MM x2</p>	<p>DL</p>  <p>300MM x2</p>	<p>F</p>  <p>x1</p>
<p>H</p>  <p>x9</p>	<p>J</p>  <p>M6x30 x8</p>	<p>K</p>  <p>x2</p>	 <p>x1</p>	 <p>x2</p>

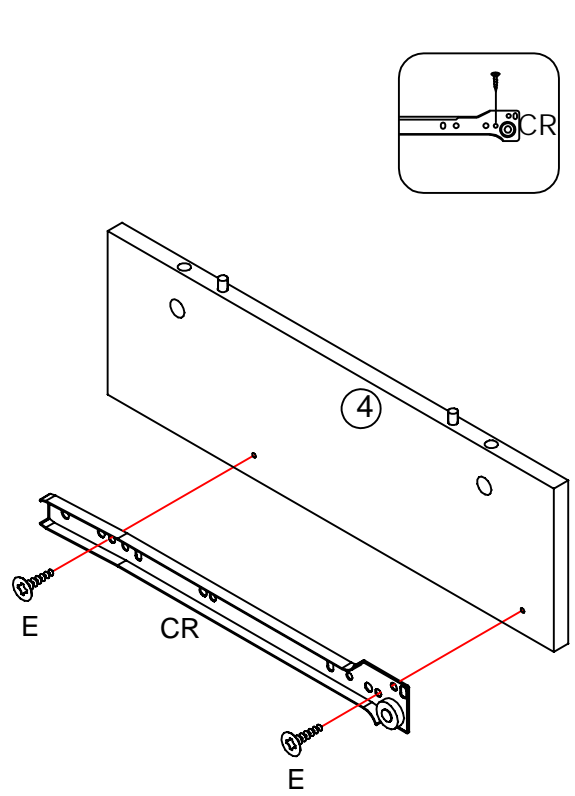


3



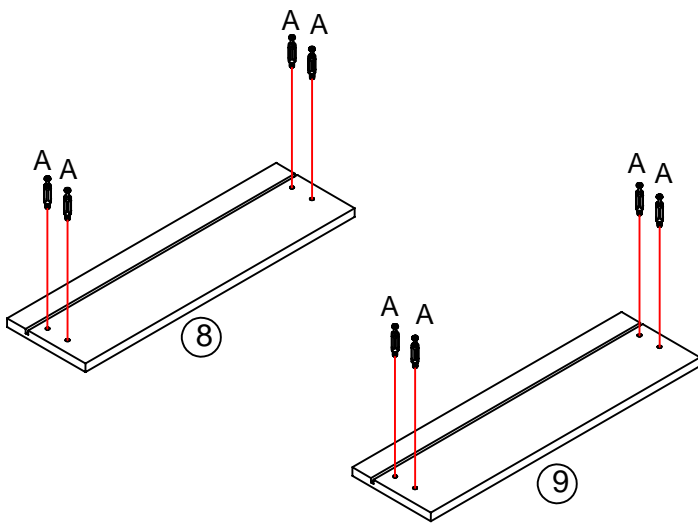
	CL	x1
	J	x2
	E	x2

4



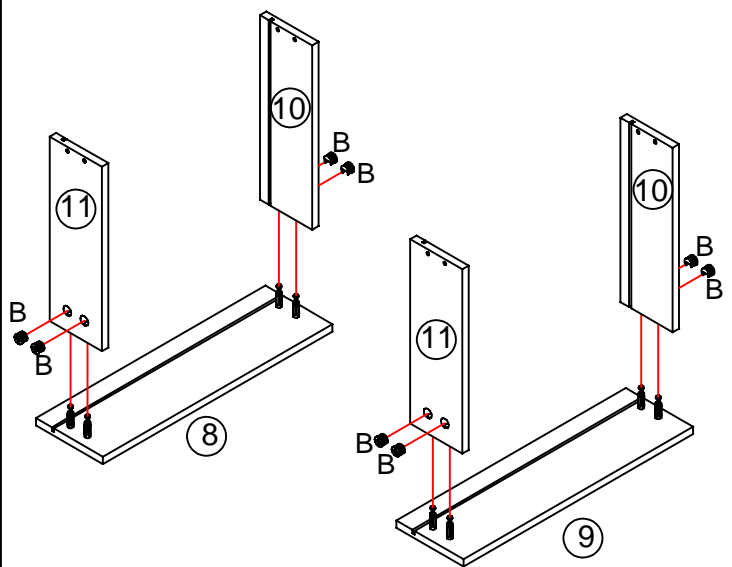
	CR	x1
	E	x2

5



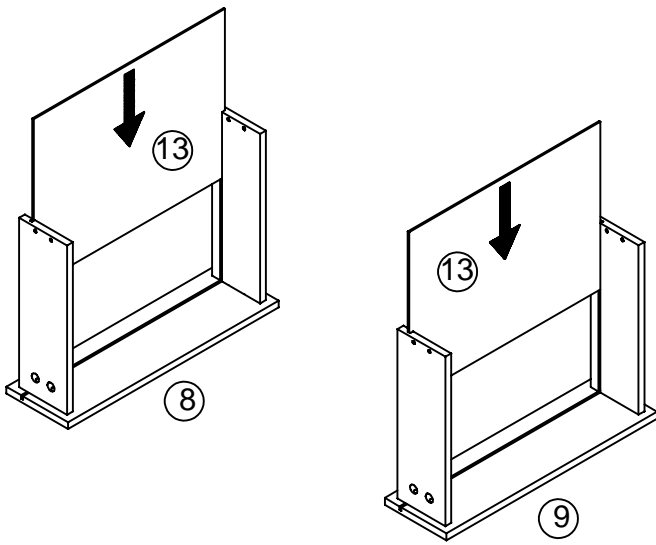
	A	x8
--	---	----

6

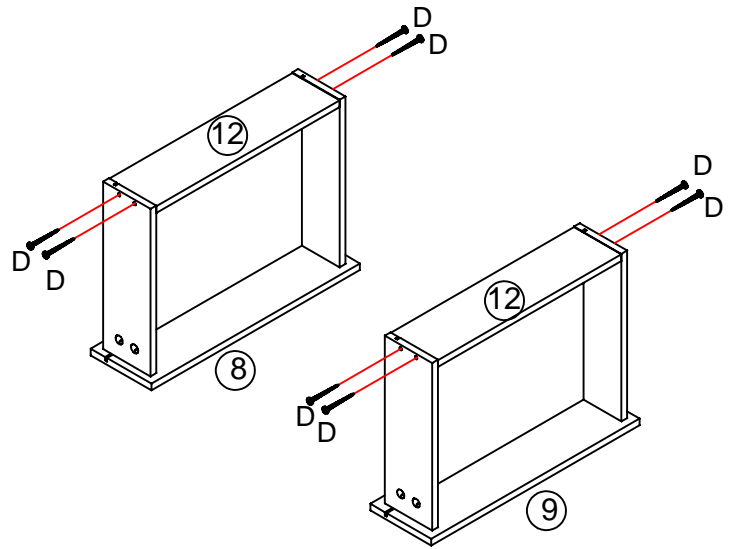


	B	x8
--	---	----

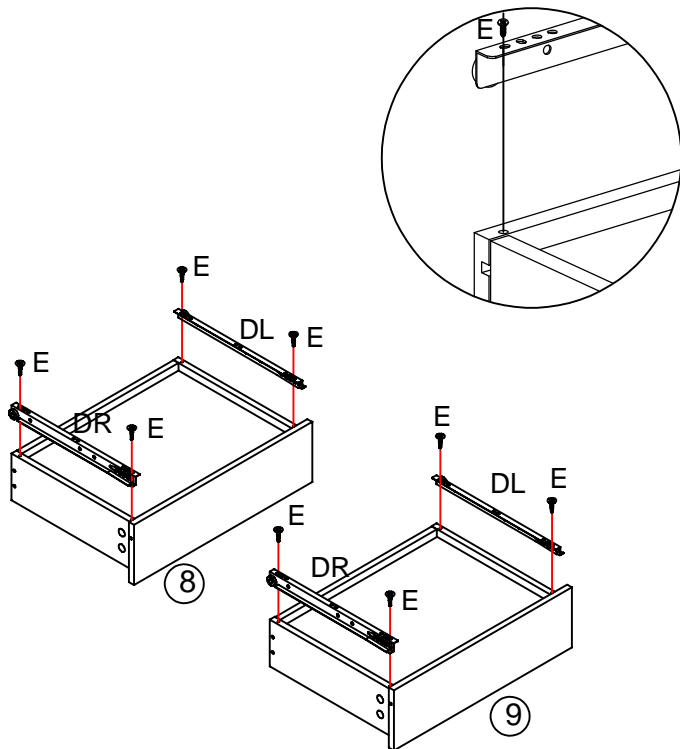
7



8

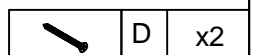
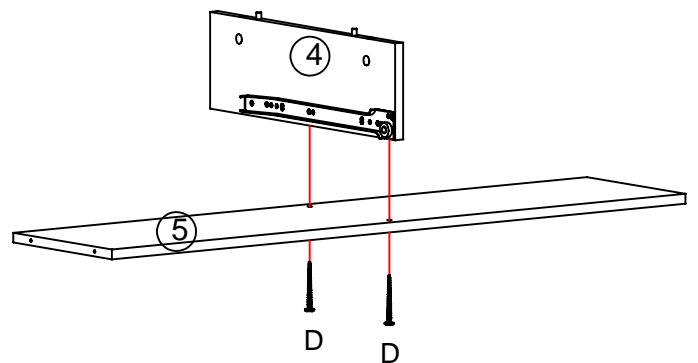


9

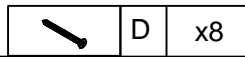
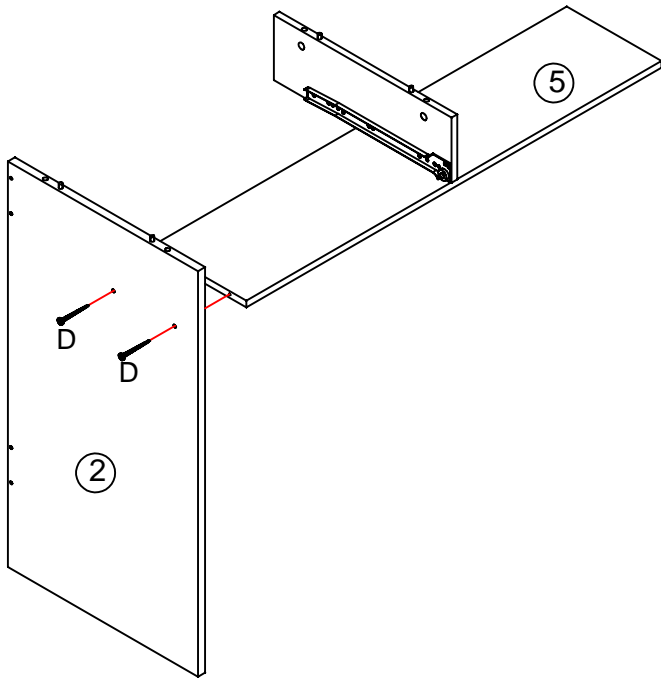


	DR	x2
	DL	x2
	E	x8

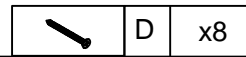
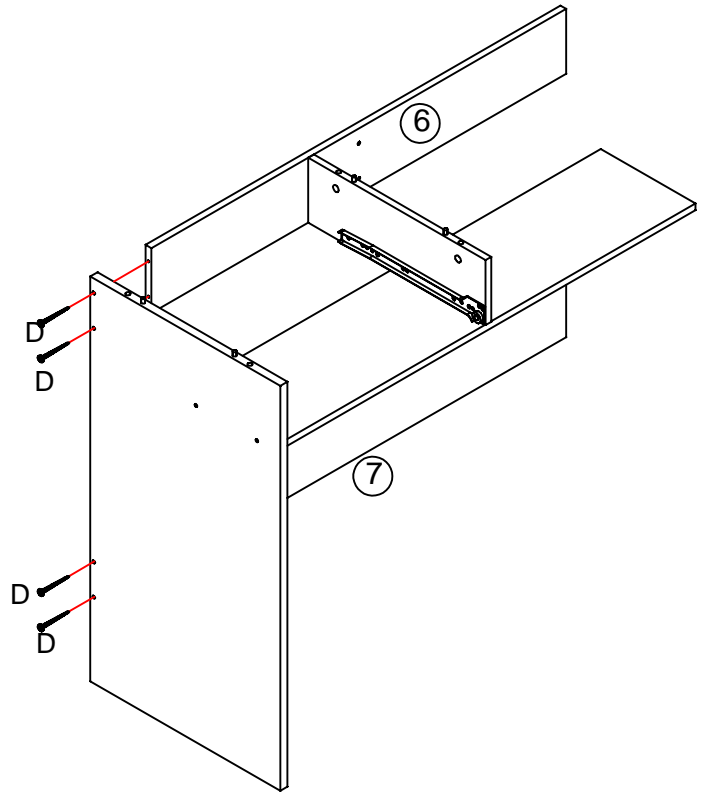
10



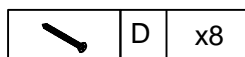
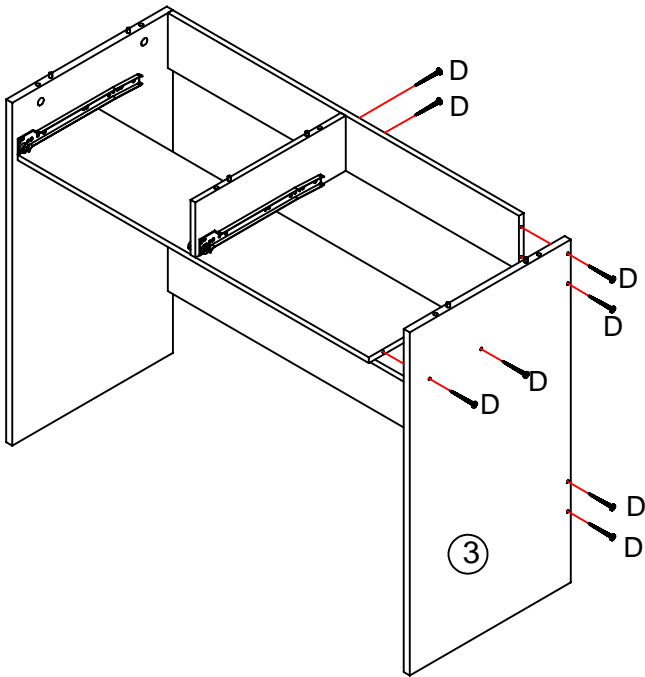
11



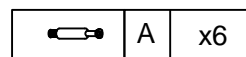
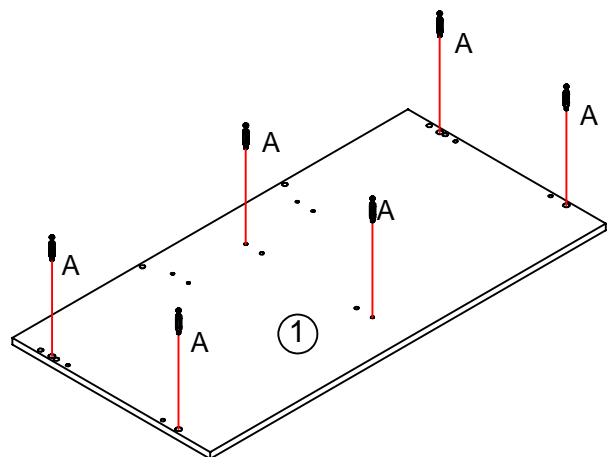
12



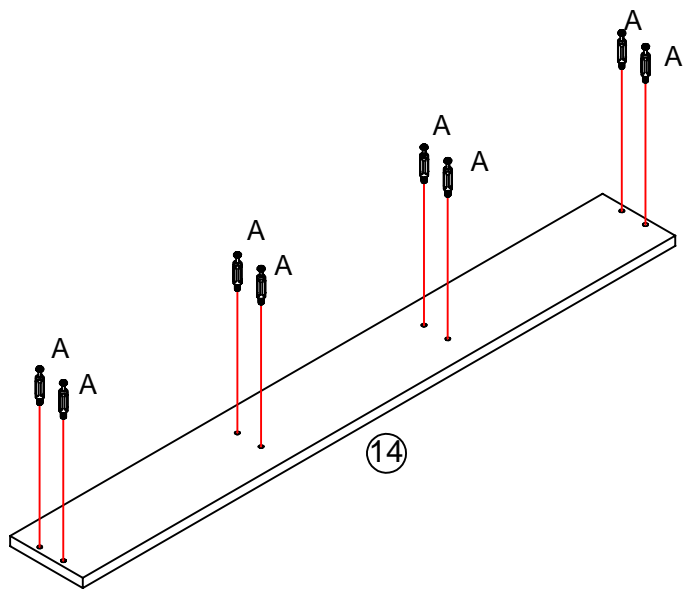
13

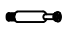


14

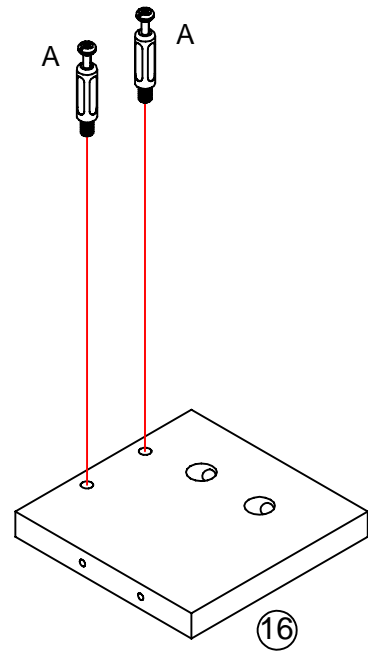


15

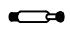


	A	x8
---	---	----

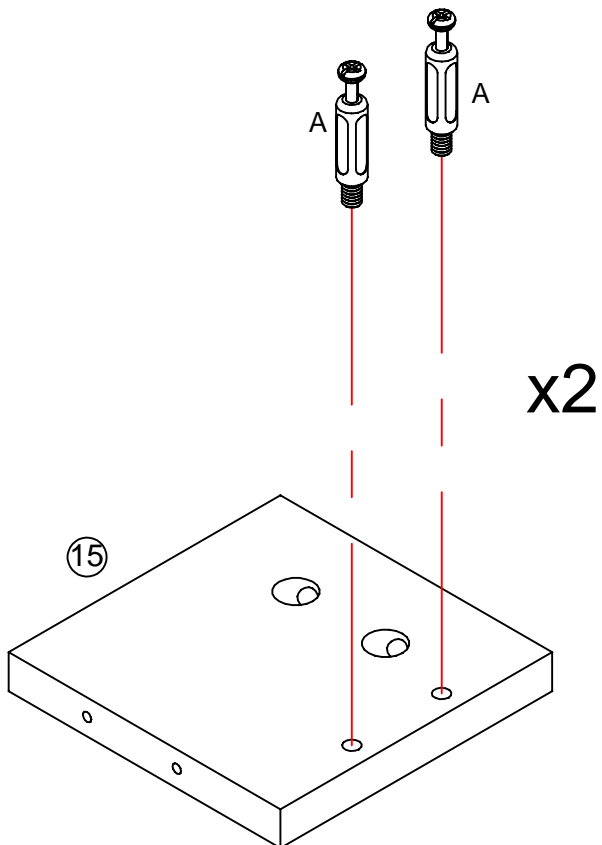
16



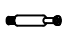
x2

	A	x4
---	---	----

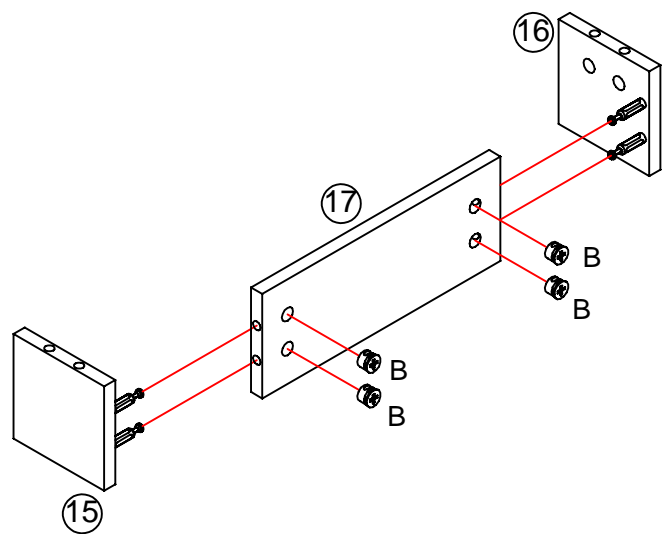
17




x2

	A	x4
---	---	----

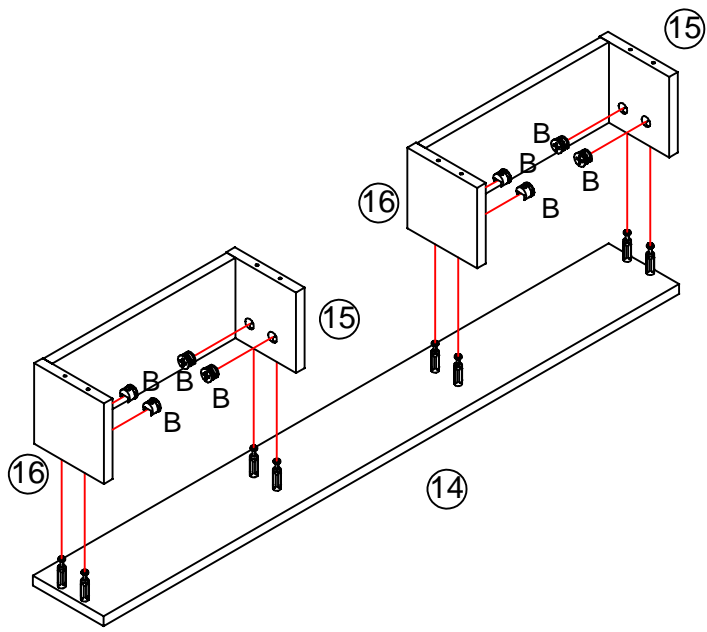
18




x2

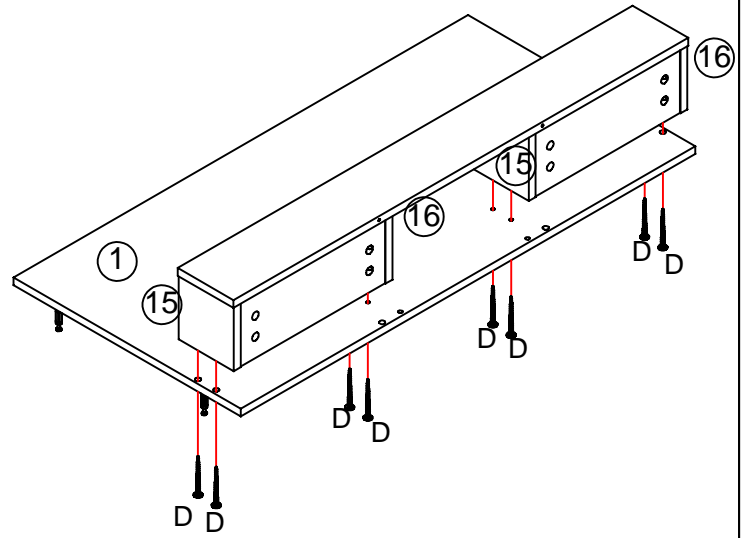
	B	x8
---	---	----

19



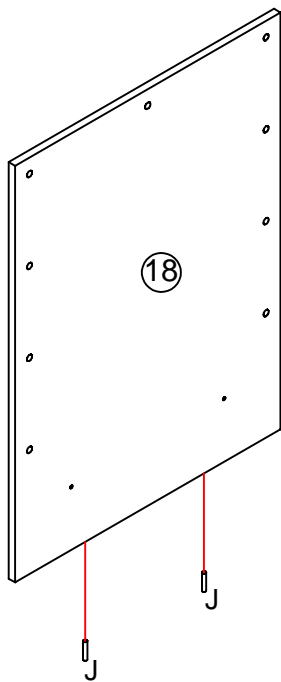
	B	x8
---	---	----


20



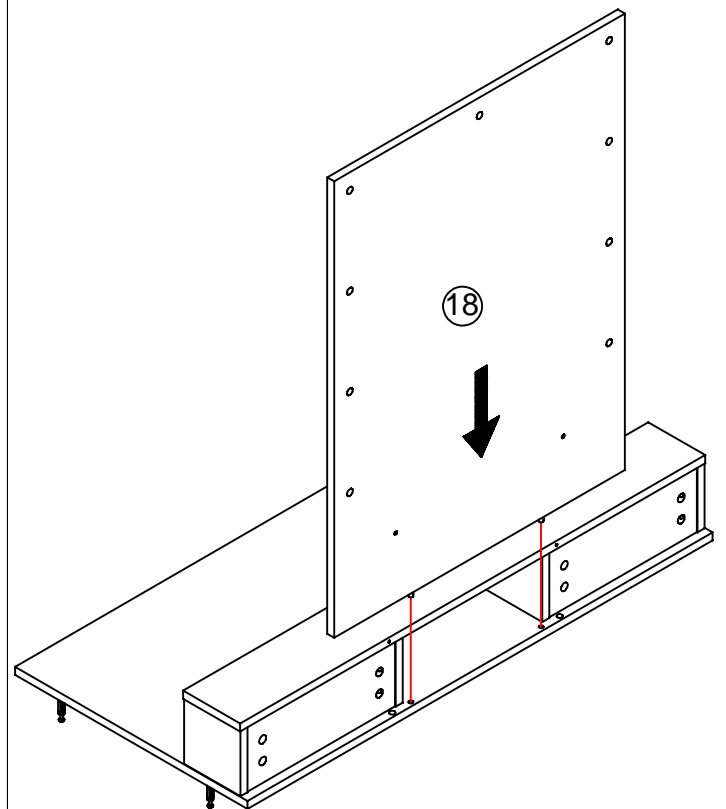
	D	x8
---	---	----

21

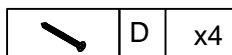
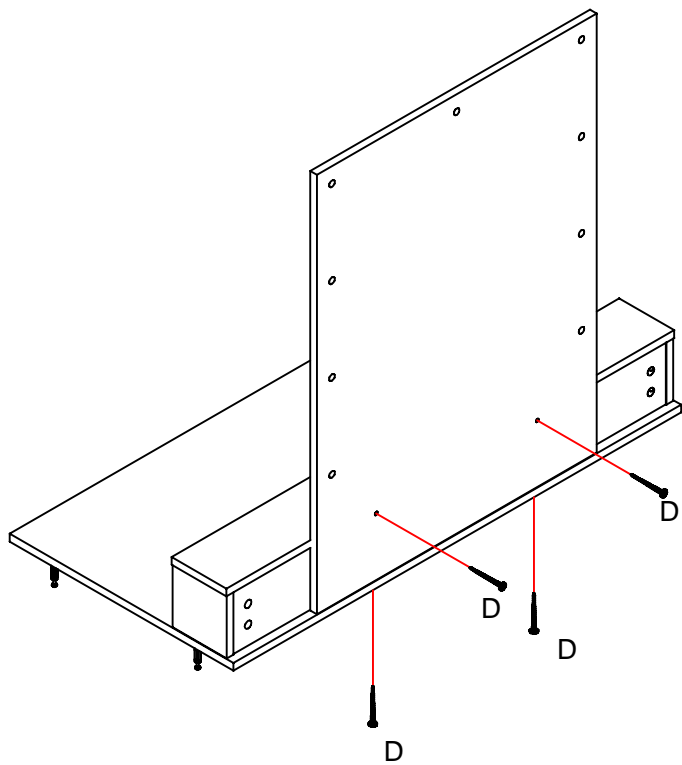


	J	x2
---	---	----

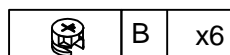
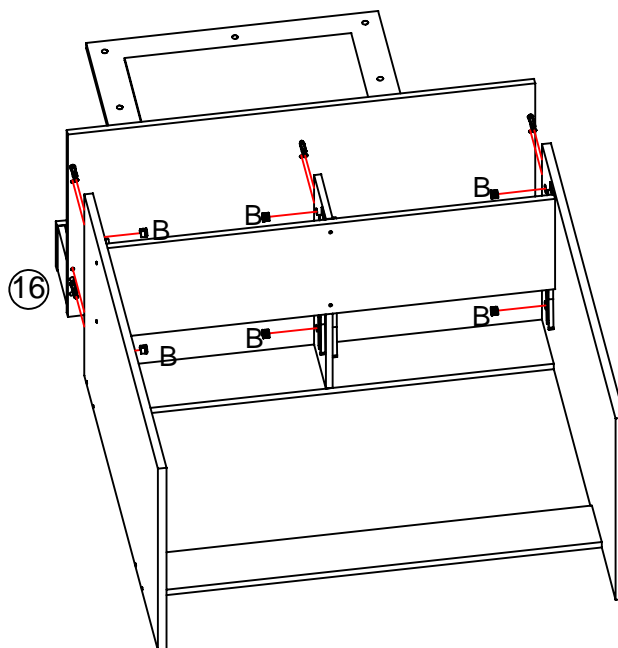
22



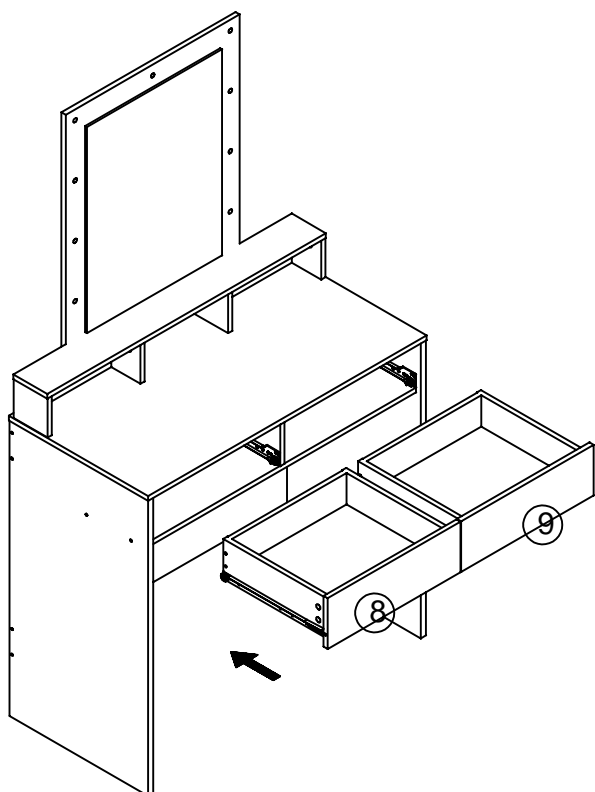
23



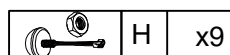
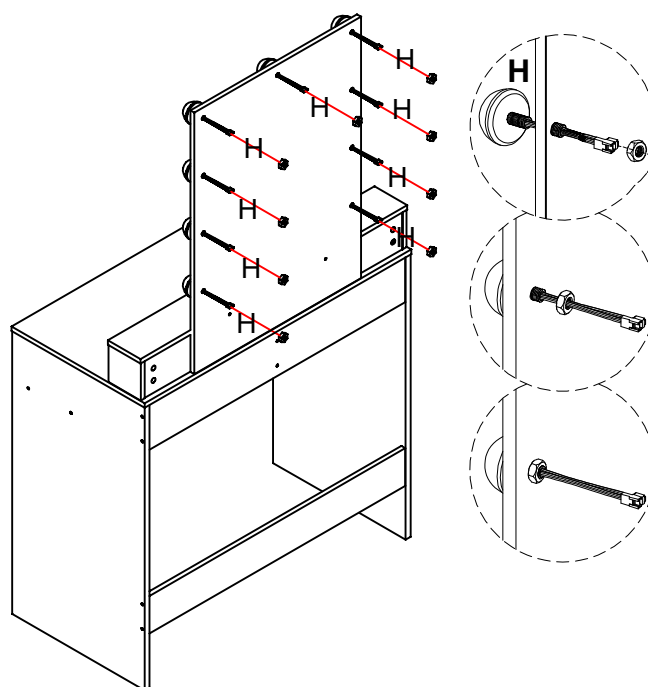
24



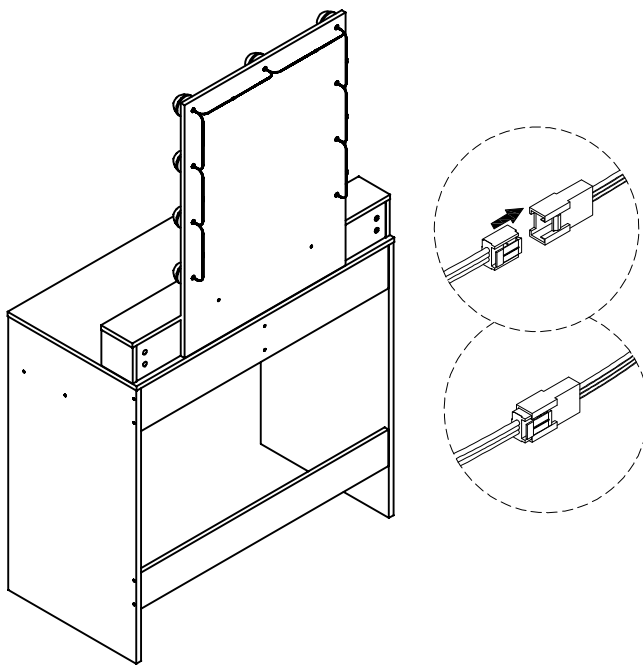
25



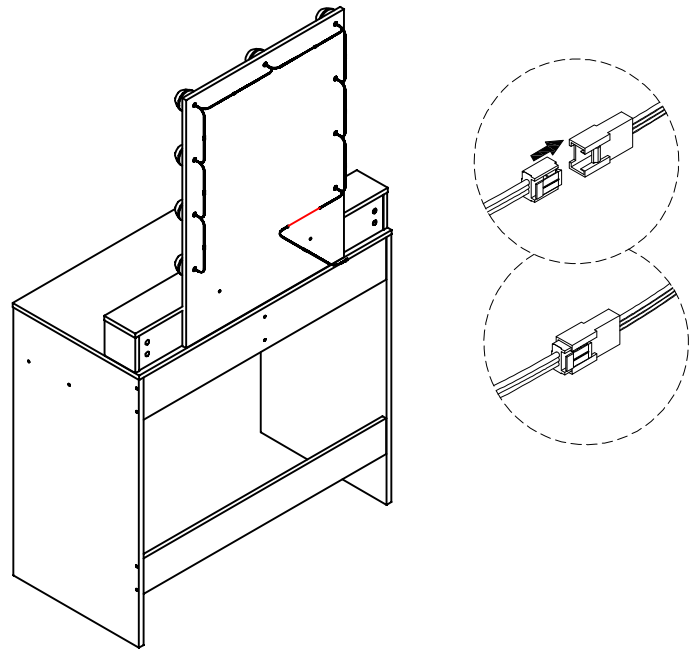
26



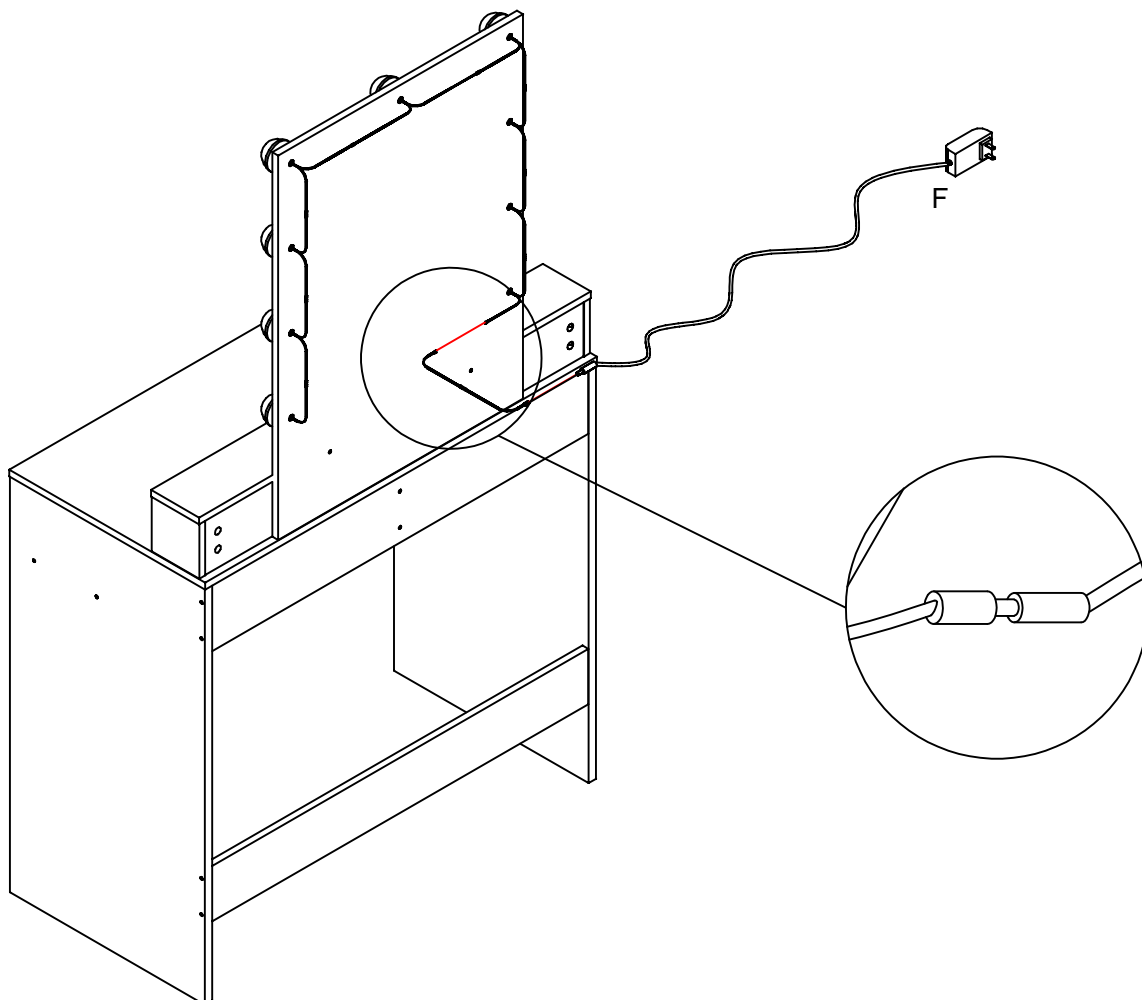
27



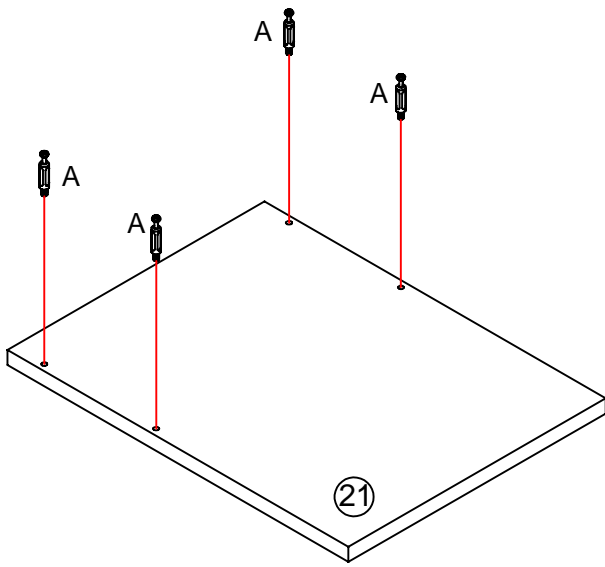
28



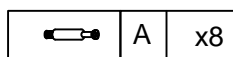
29



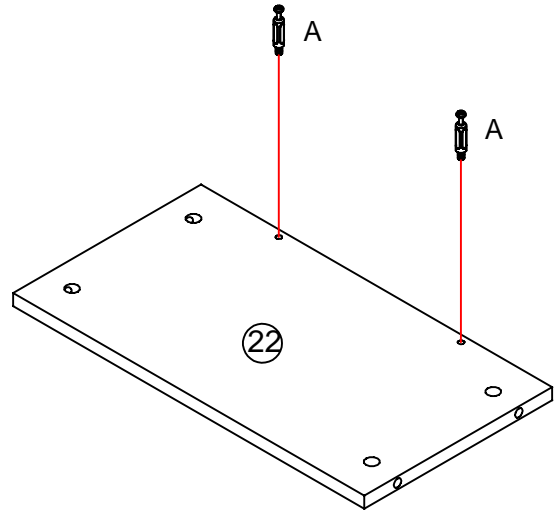
30



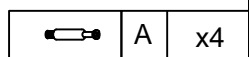
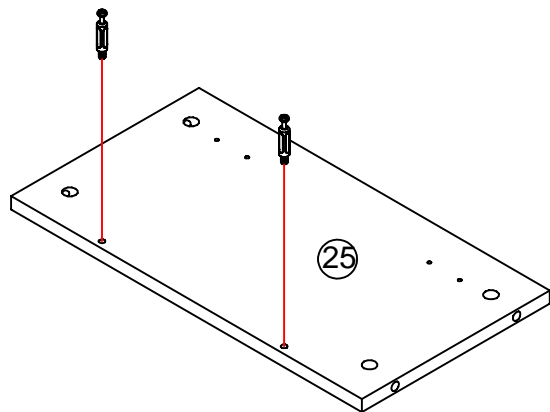
x2



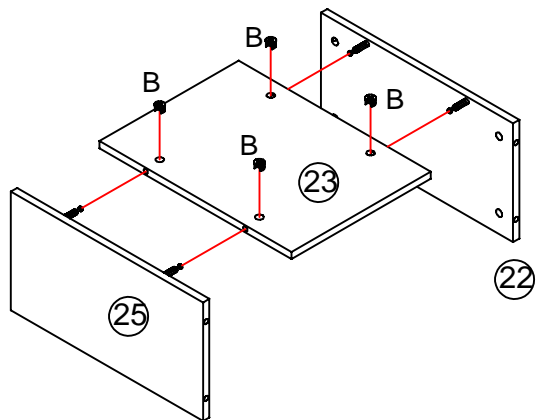
31



x2

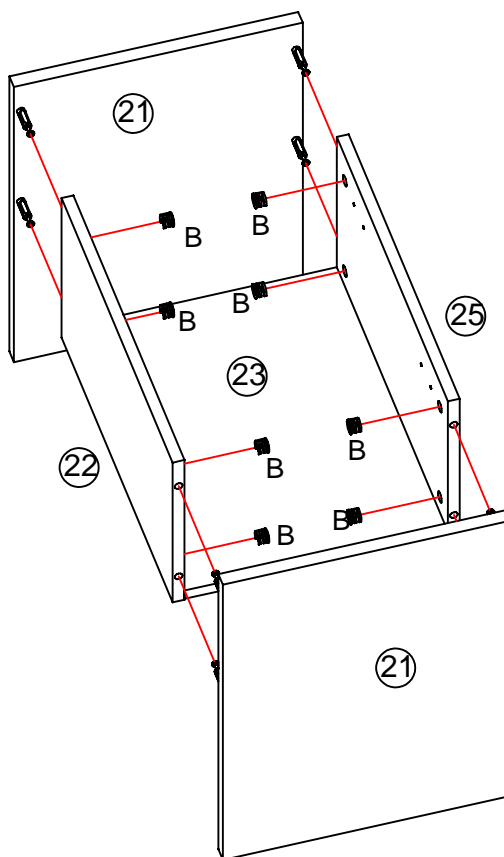


32



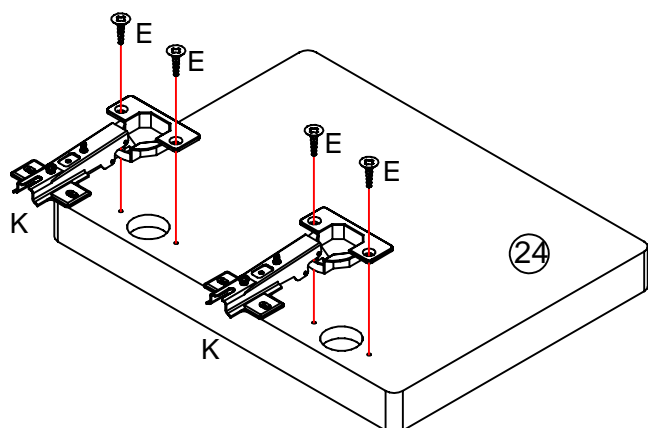
	B	x4
--	---	----

35



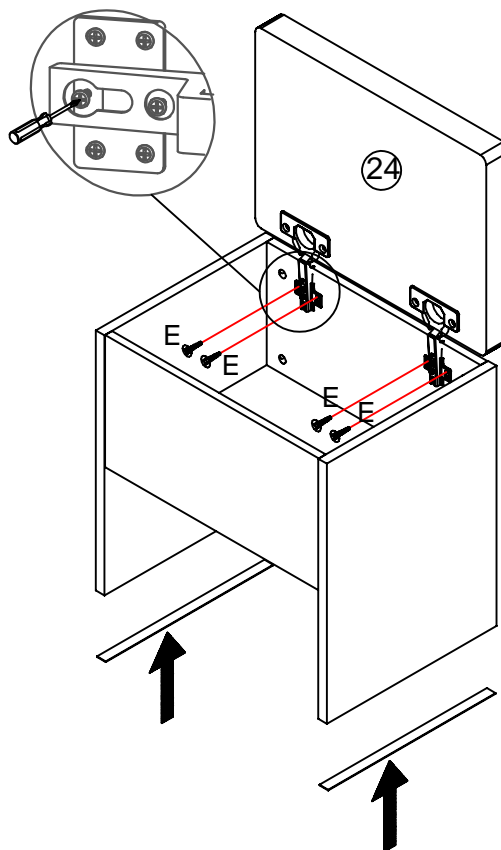
	B	x8
--	---	----

35



	E	x4
	K	x2

36



	E	x4
	F	x2

