

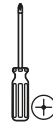
ASSEMBLY INSTRUCTIONS



CAUTION

- Inspect the wire insulation for any cuts, abrasions or exposed copper that may have resulted during shipping. If there is a defect in the wire, do not attempt installation.
- Before starting installation of this fixture or removal of a previous fixture, disconnect the power by turning off the circuit breaker or by removing the fuse at the fuse box.

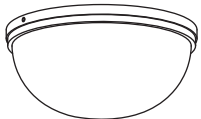
TOOLS REQUIRED



If you need further assistance, please contact us by Email:

*** PARTS SHOWN MAY DIFFER SLIGHTLY PER LIGHT FIXTURE**

HARDWARE INCLUDED



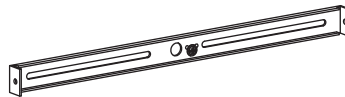
Fixture



Screws



Mounting Screws

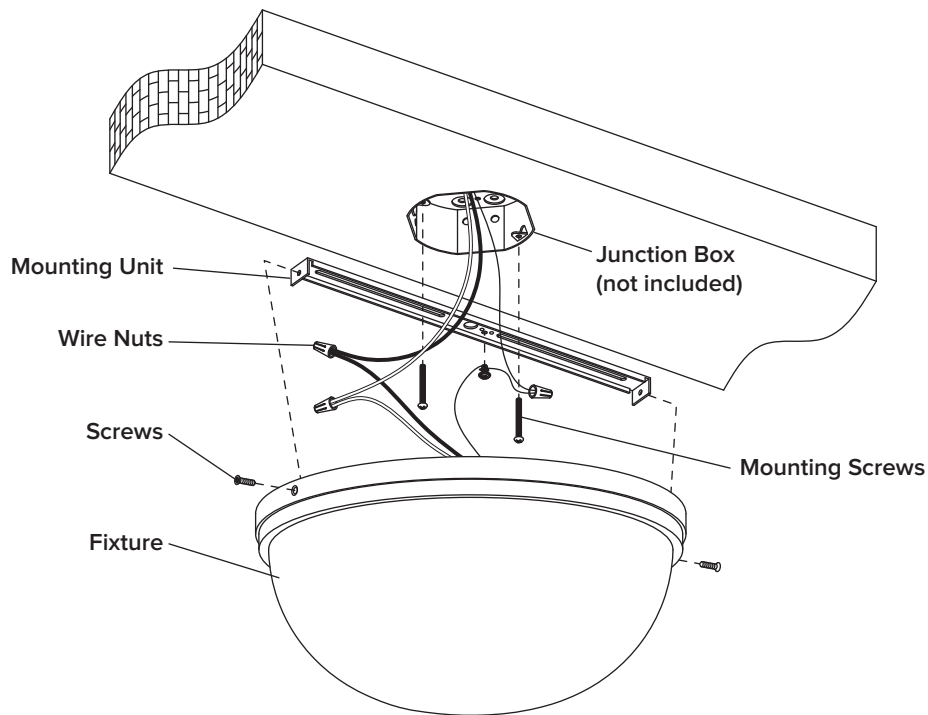


Mounting Unit



Wire Nuts

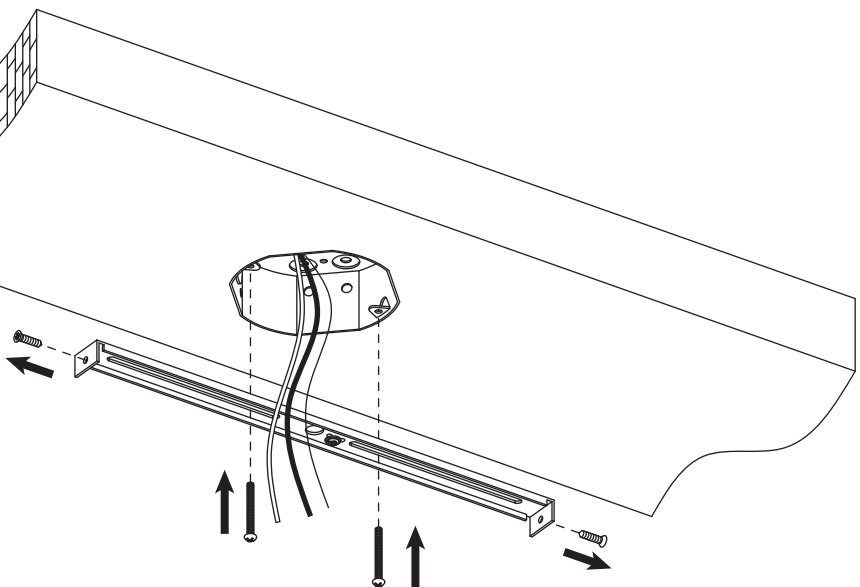
EXPLODED PARTS



INSTALLATION

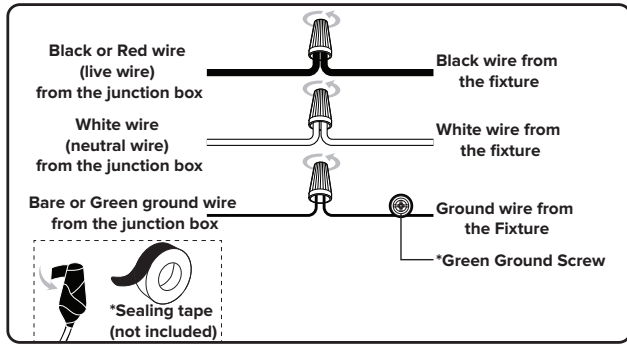
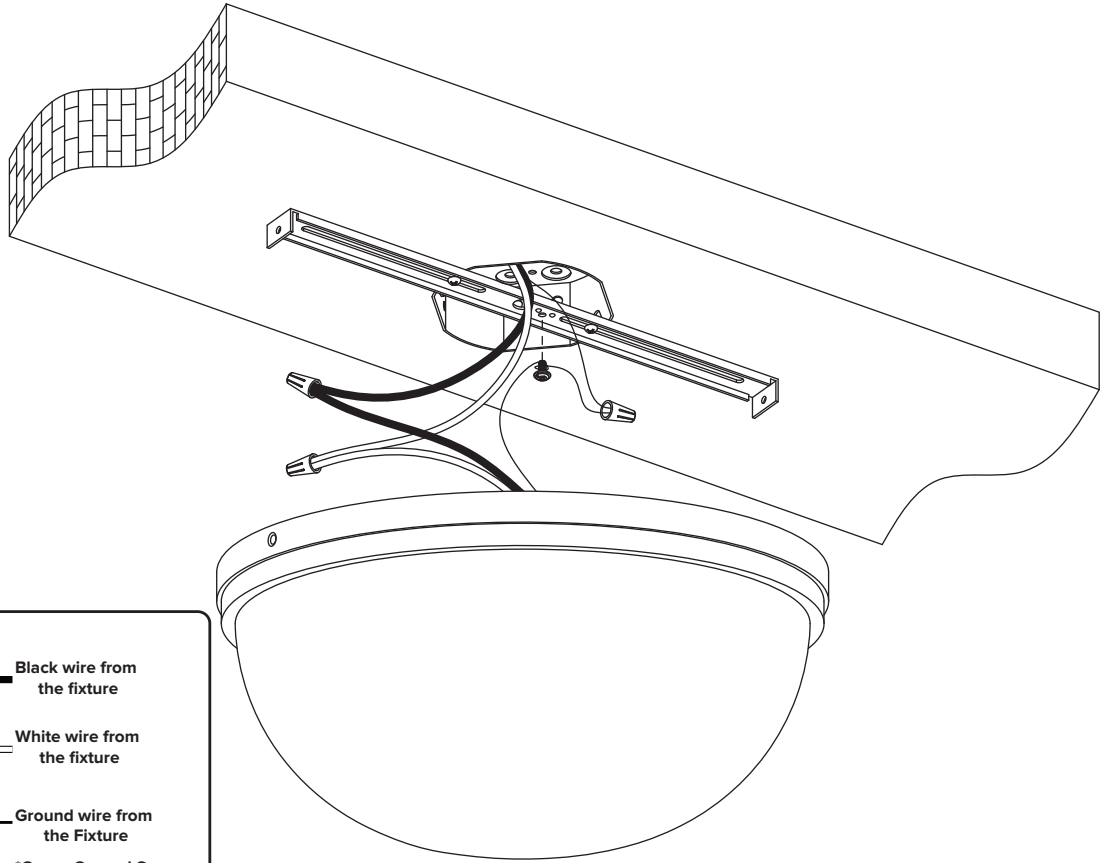
STEP 1

Unscrew the **screws** from the **mounting unit**.
Use the **mounting screws** to attach the **mounting unit** to the junction box (not included).



STEP 2

Make the electrical connection from the junction box (not included) to the **fixture**.
Connect the ground wire to the **mounting unit** using the preinstalled green ground screw.
Next, connect the live wire, neutral wire and ground wires with the supplied **wire nuts**.
Secure with electrical tape.



STEP 3

Attach the **fixture** to the **mounting unit** through screw holes as shown, and secure it with **screws**.

