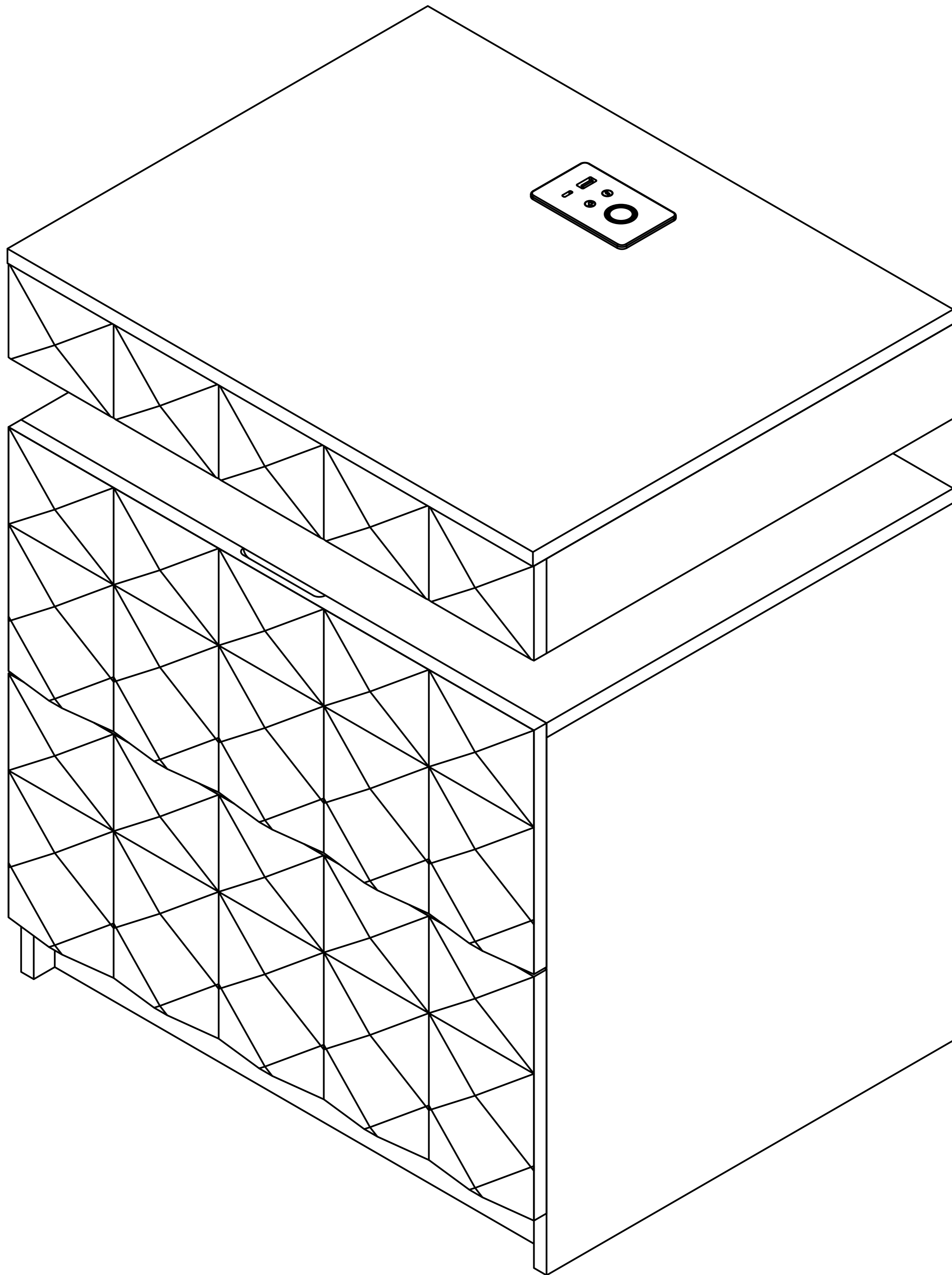
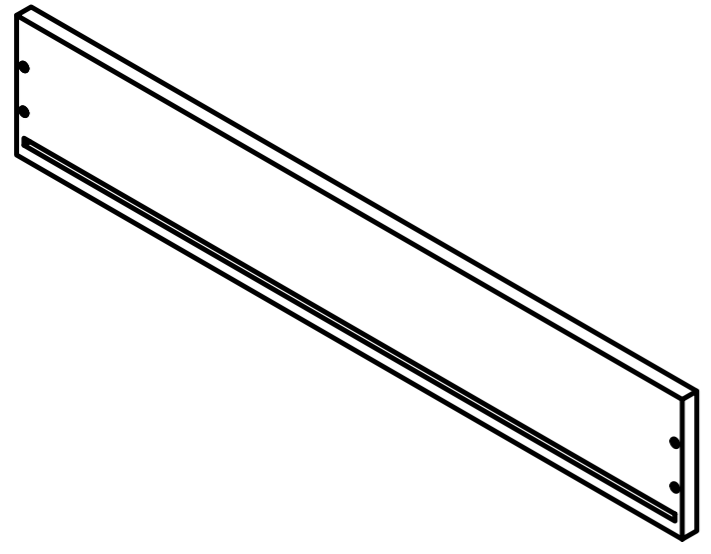
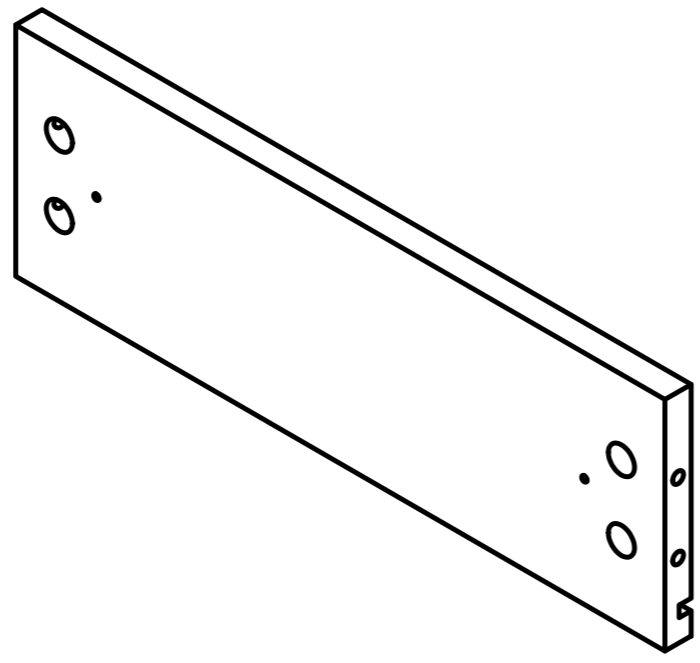


Product Installation Instructions

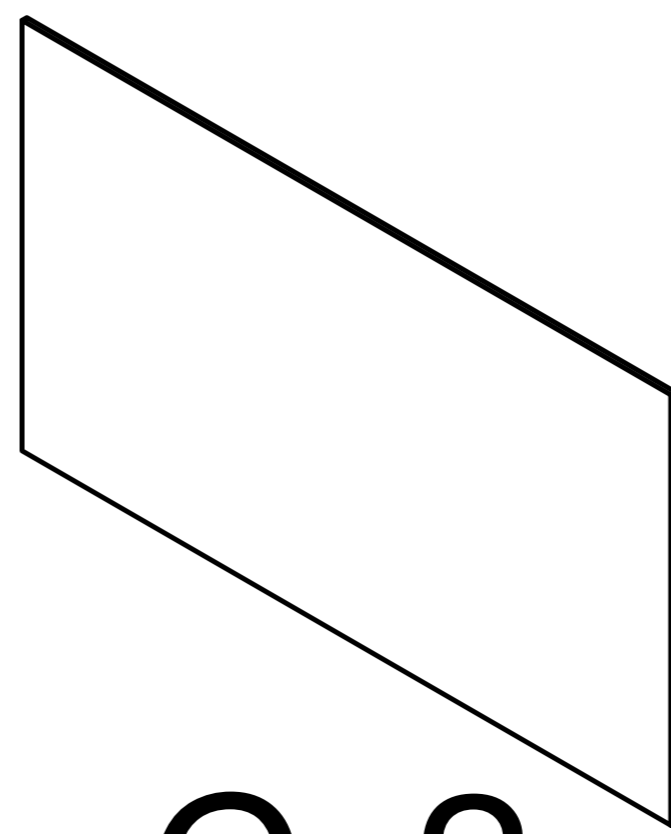




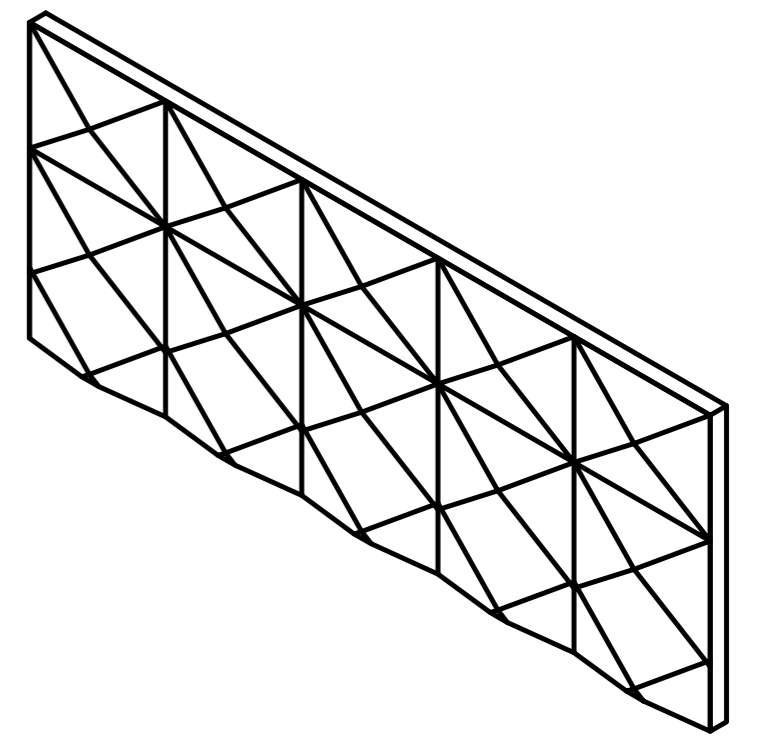
Ax2



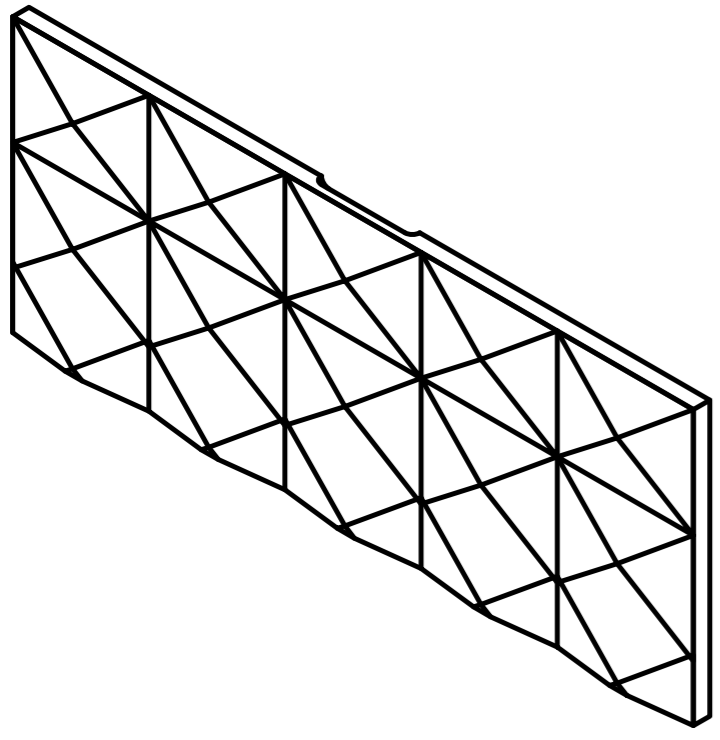
Bx4



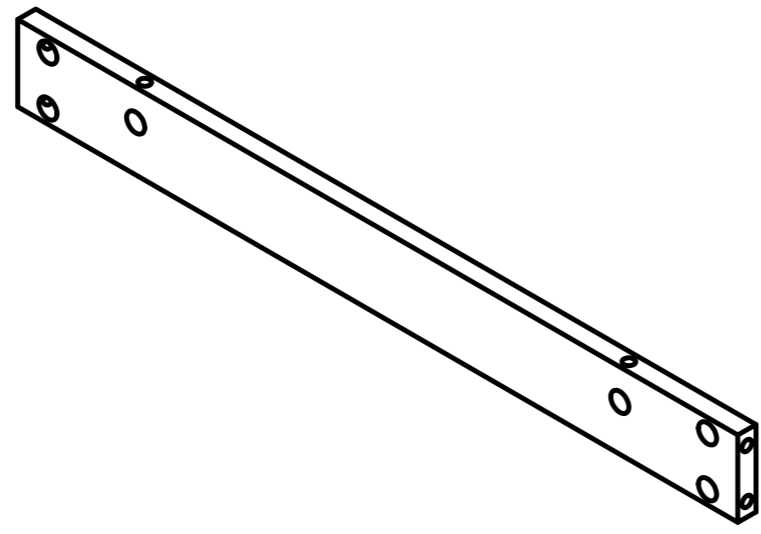
Cx2



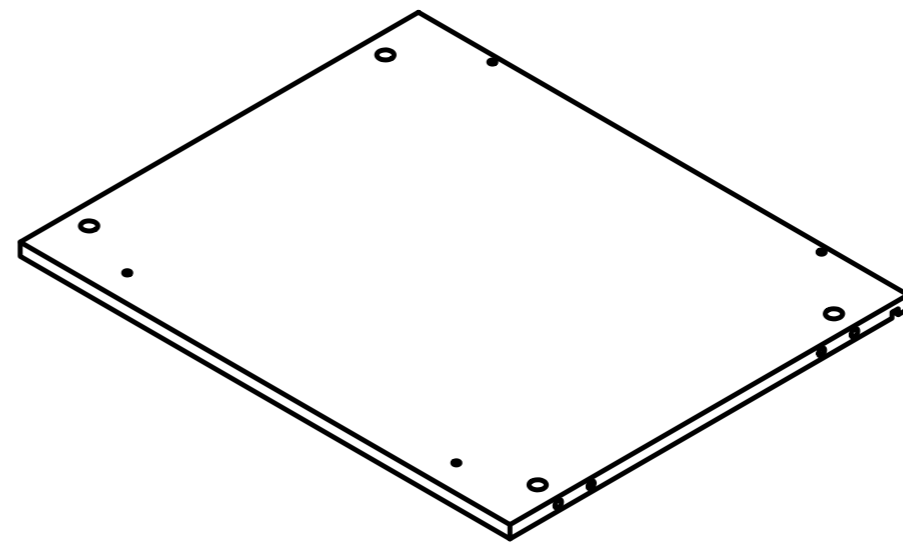
Dx1



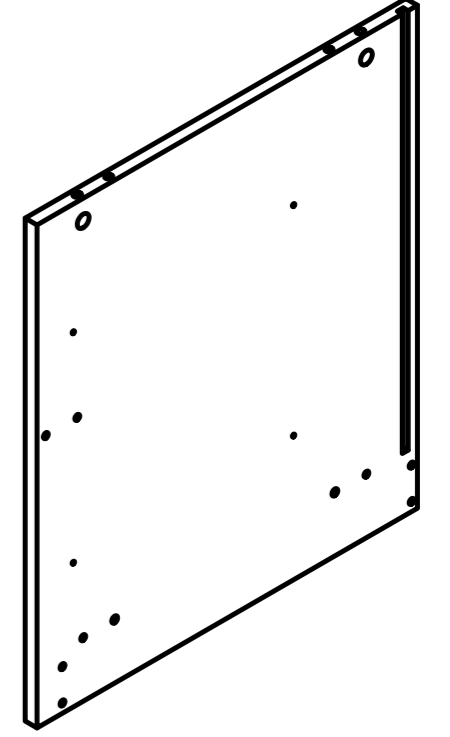
Ex1



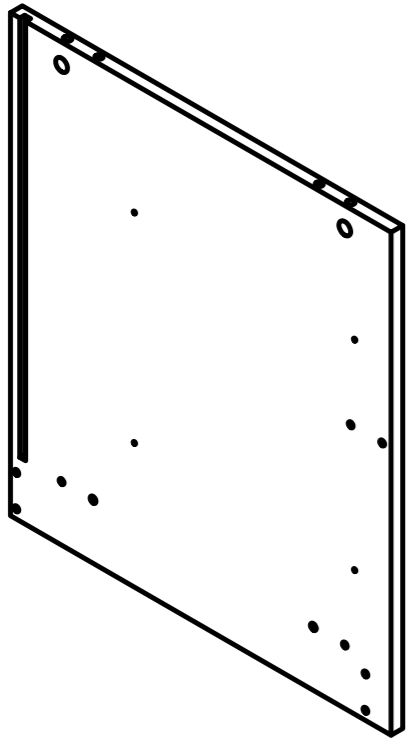
Fx2



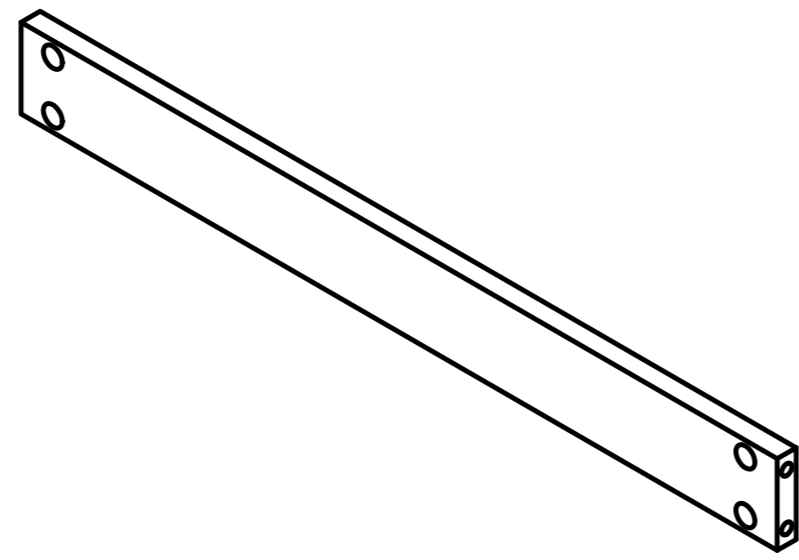
Gx1



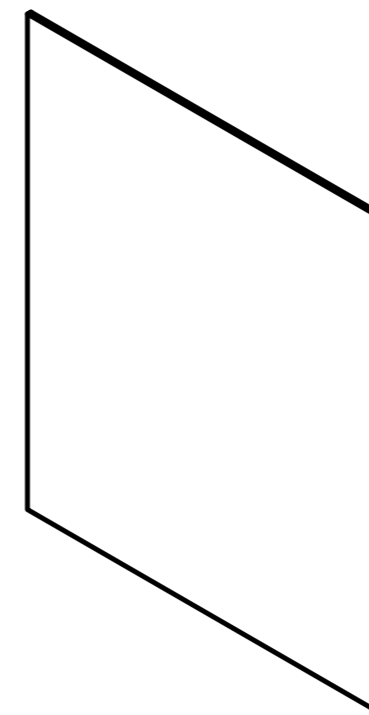
Hx1



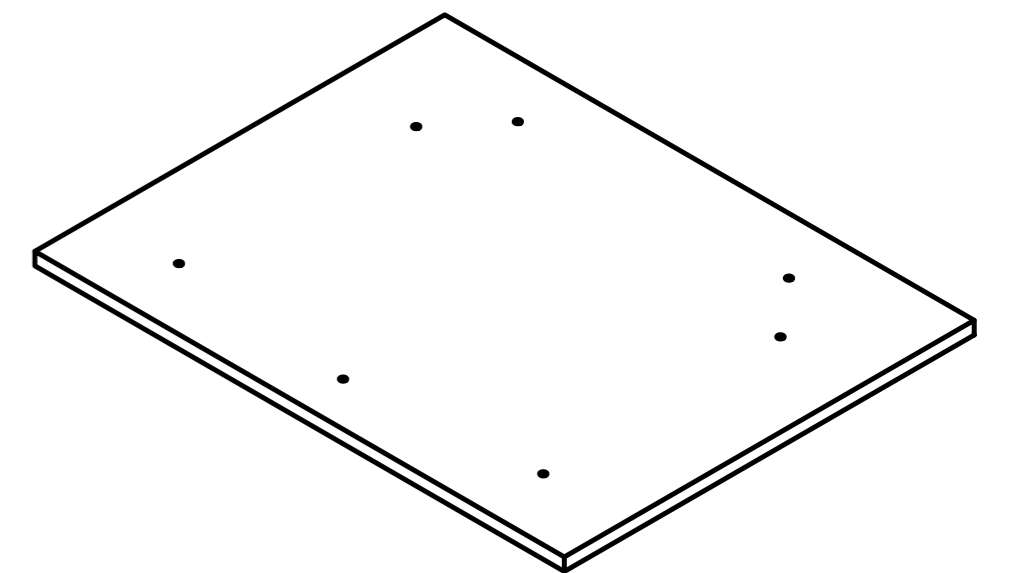
Ix1



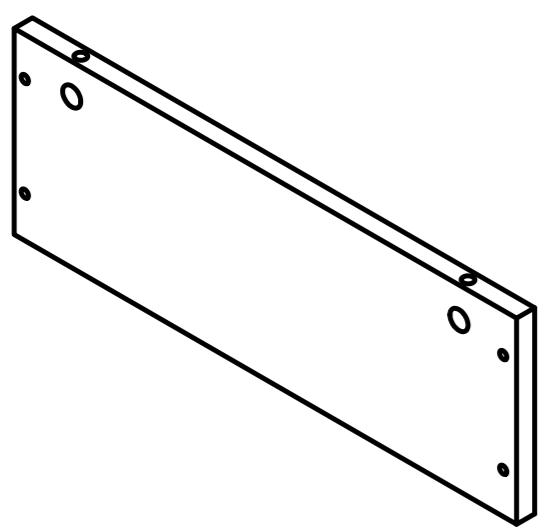
Jx1



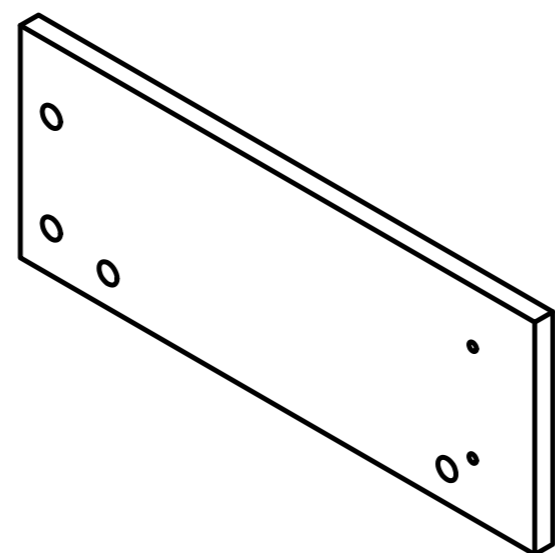
Kx1



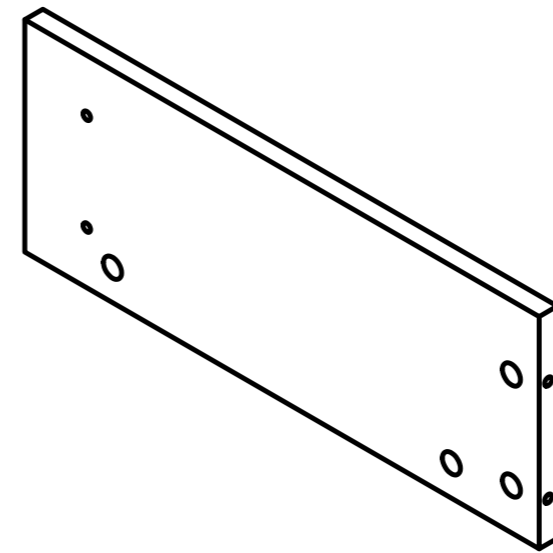
Lx1



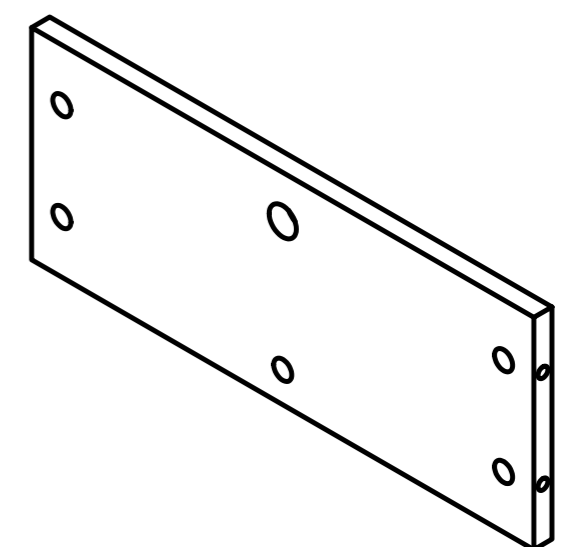
Mx1



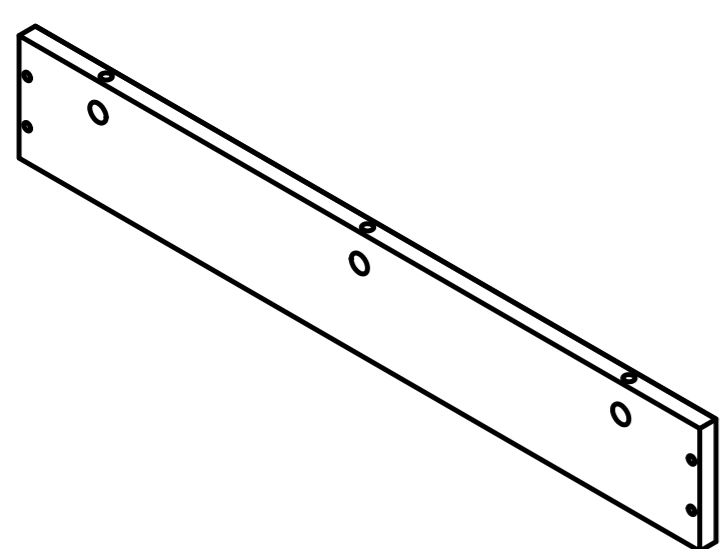
Nx1



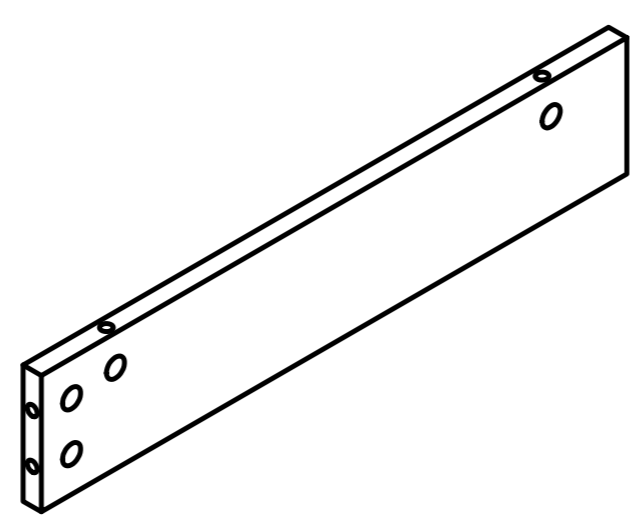
Ox1



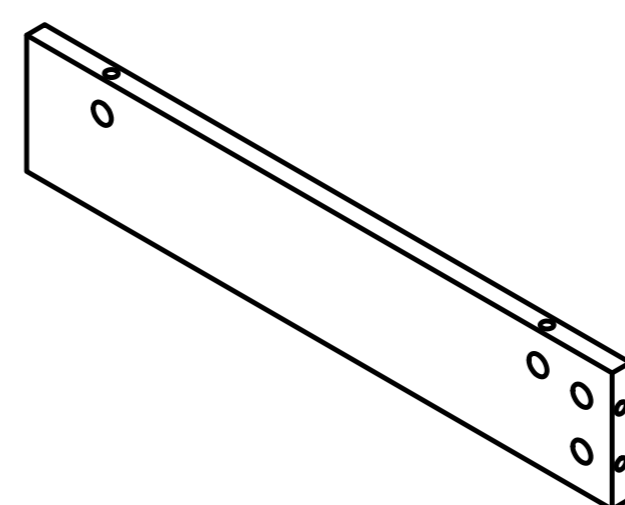
Px1



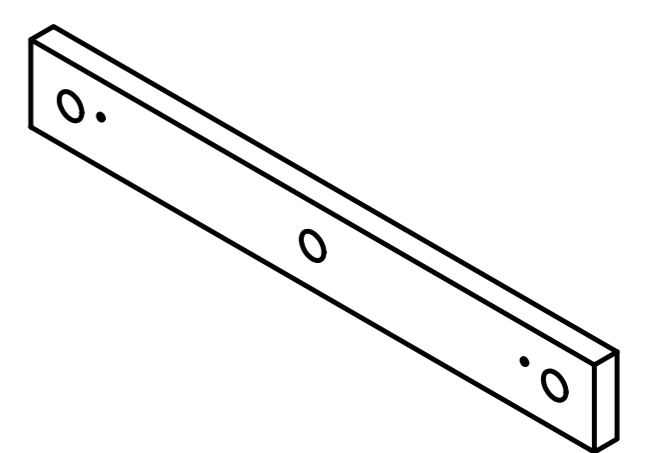
Qx1



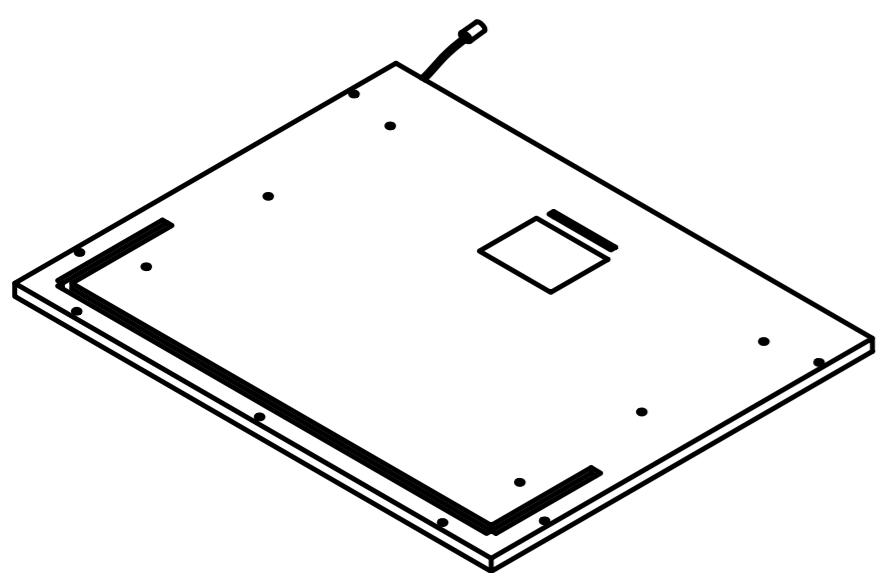
Rx1



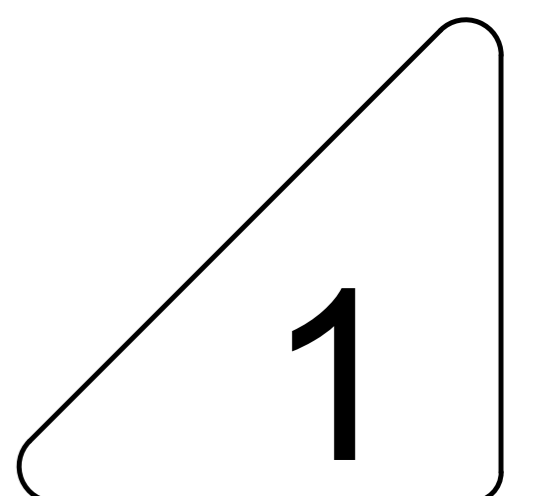
Sx1



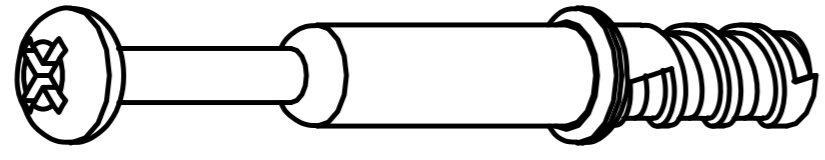
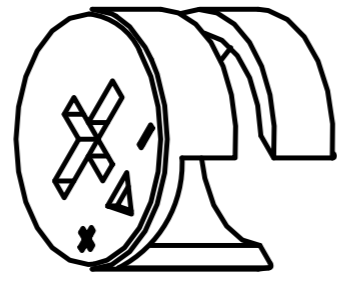
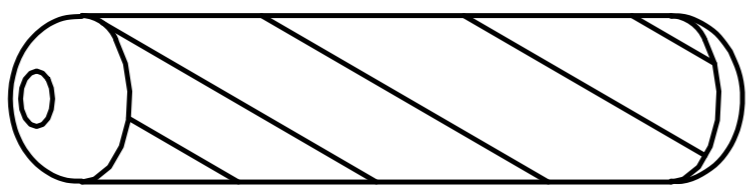
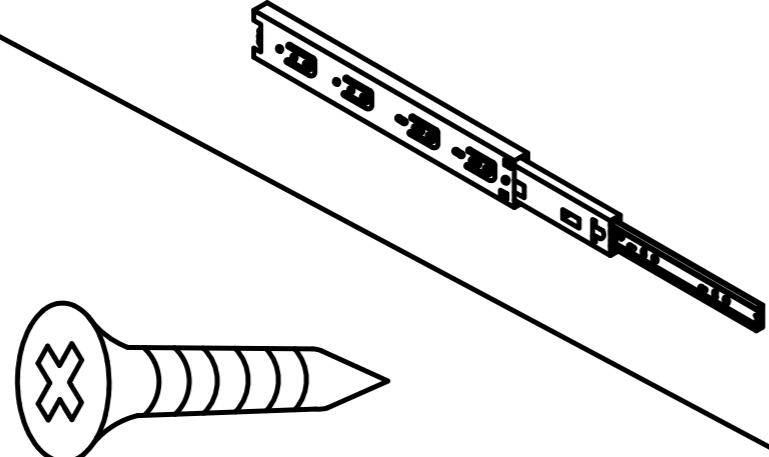
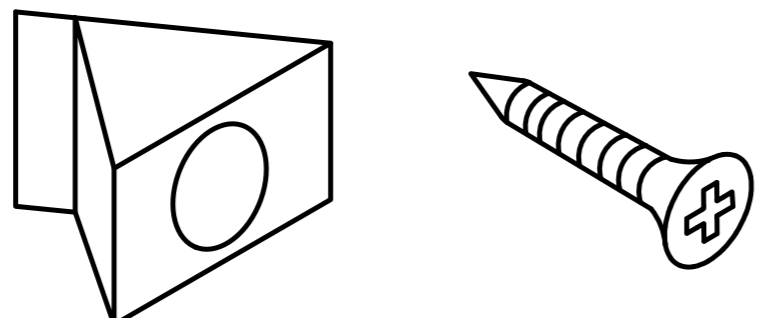
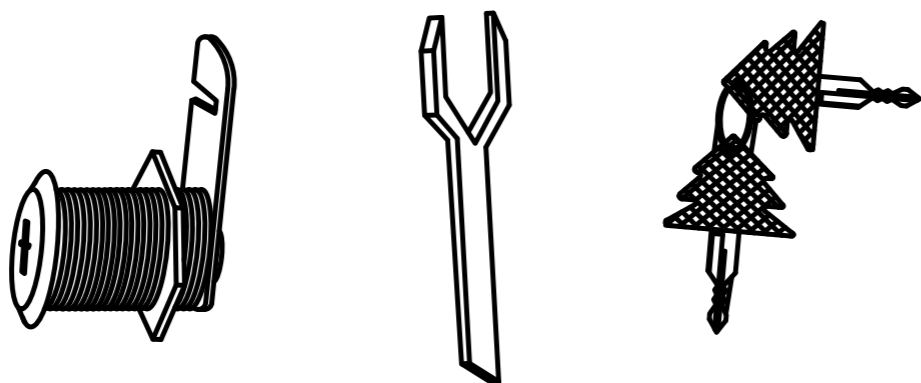

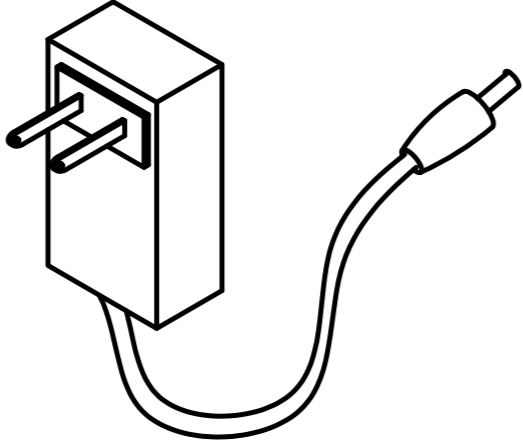
Tx2

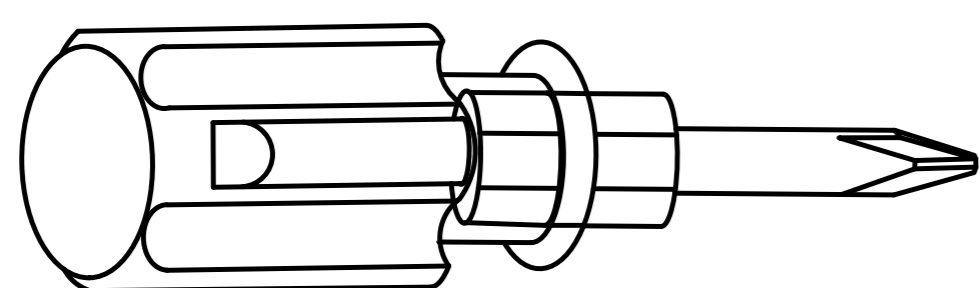


Ux1

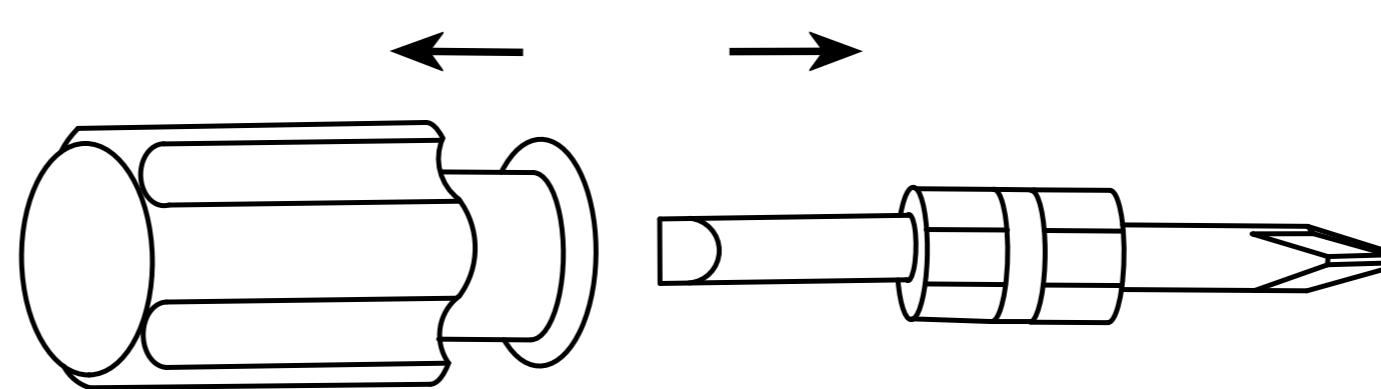


Accessories list

<p>1</p>		<p>Two In One Screw (6x28mm)</p>	<p>72pcs +6pcs</p>
<p>2</p>		<p>Two In One Nut (10x12mm)</p>	<p>72pcs +6pcs</p>
<p>3</p>		<p>Wood Chipping (6x30mm)</p>	<p>8pcs +2pcs</p>
<p>4</p>		<p>Screw & Guide (12 inch) (3x12mm)</p>	<p>6pcs 30pcs +6pcs</p>
<p>5</p>		<p>Back plate buckle & Screw (3x16mm)</p>	<p>4pcs +1pcs</p>
<p>6</p>		<p>Locks & tools & key</p>	<p>1pcs</p>
<p>7</p>		<p>Non-slip pads</p>	<p>8pcs +1pcs</p>
		<p>AC/DC Adapter(12V 3.0A)</p>	<p>1pcs</p>

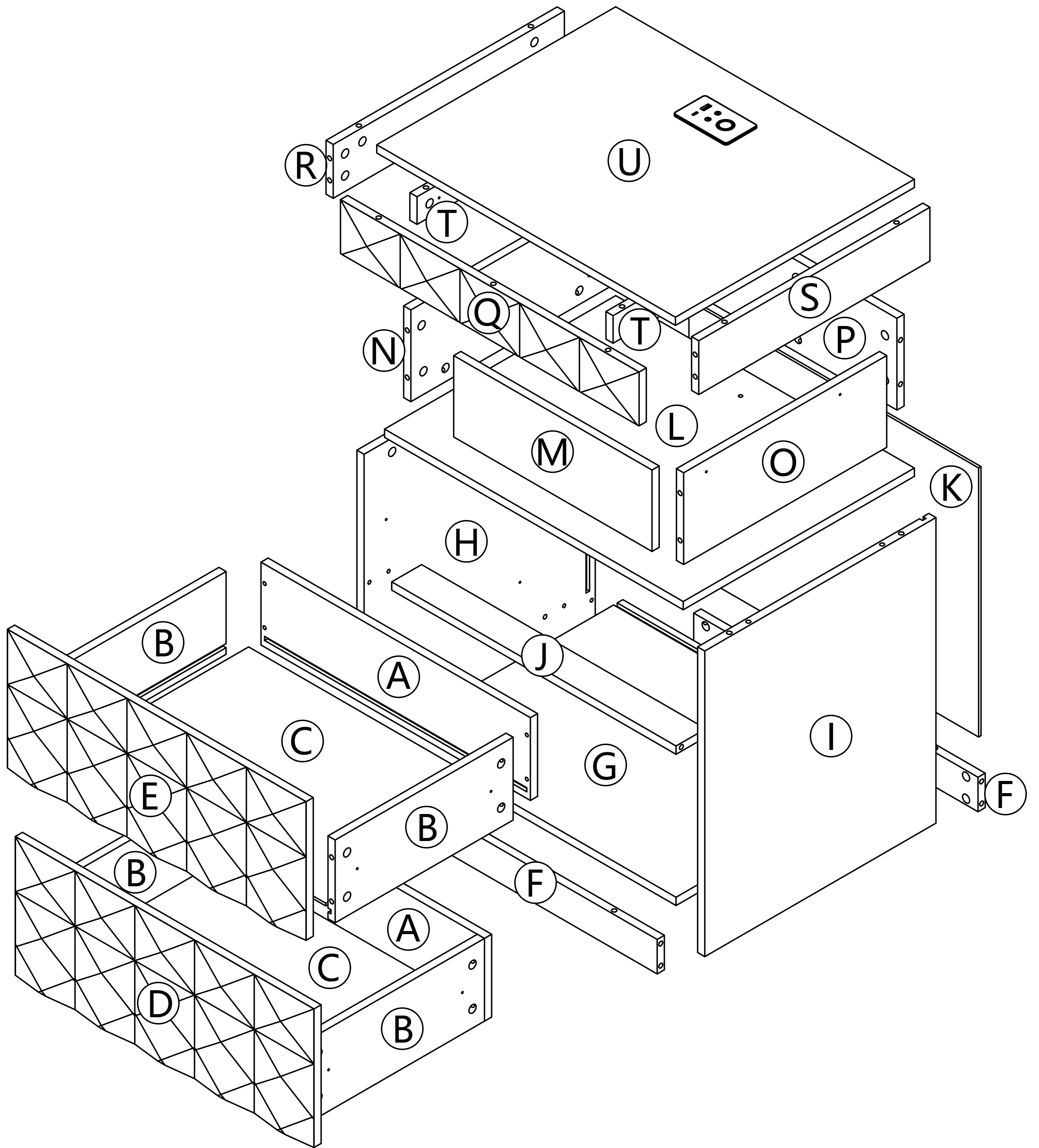


1pcs

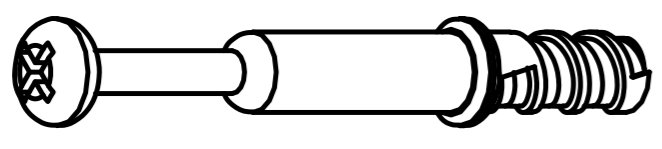


Double-head screwdriver, use as required

Product structure decomposition

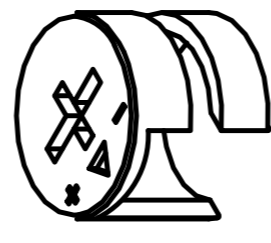


1



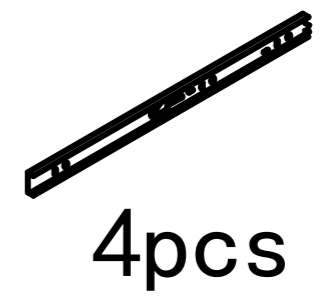
16pcs

2



16pcs

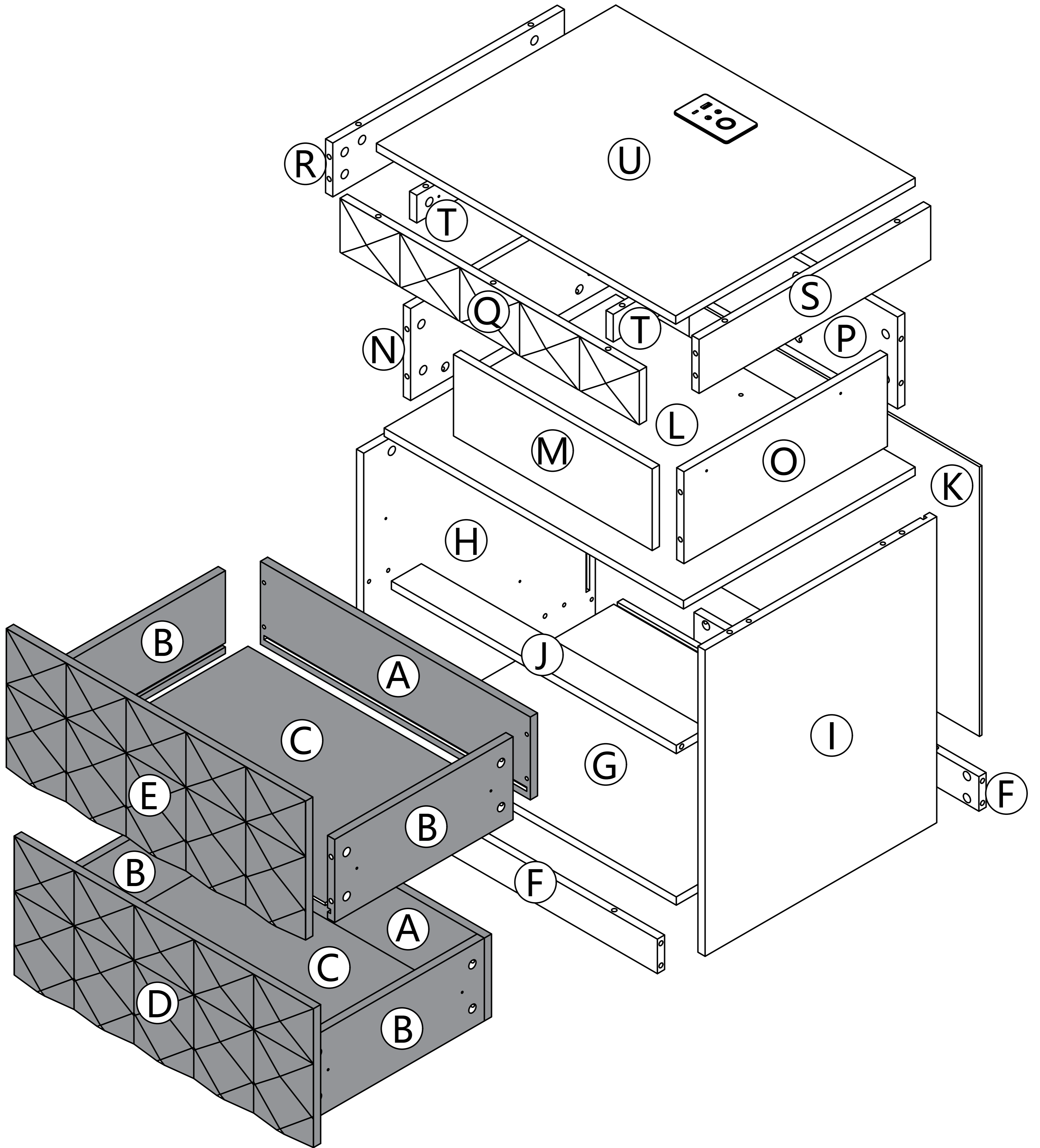
4



4pcs

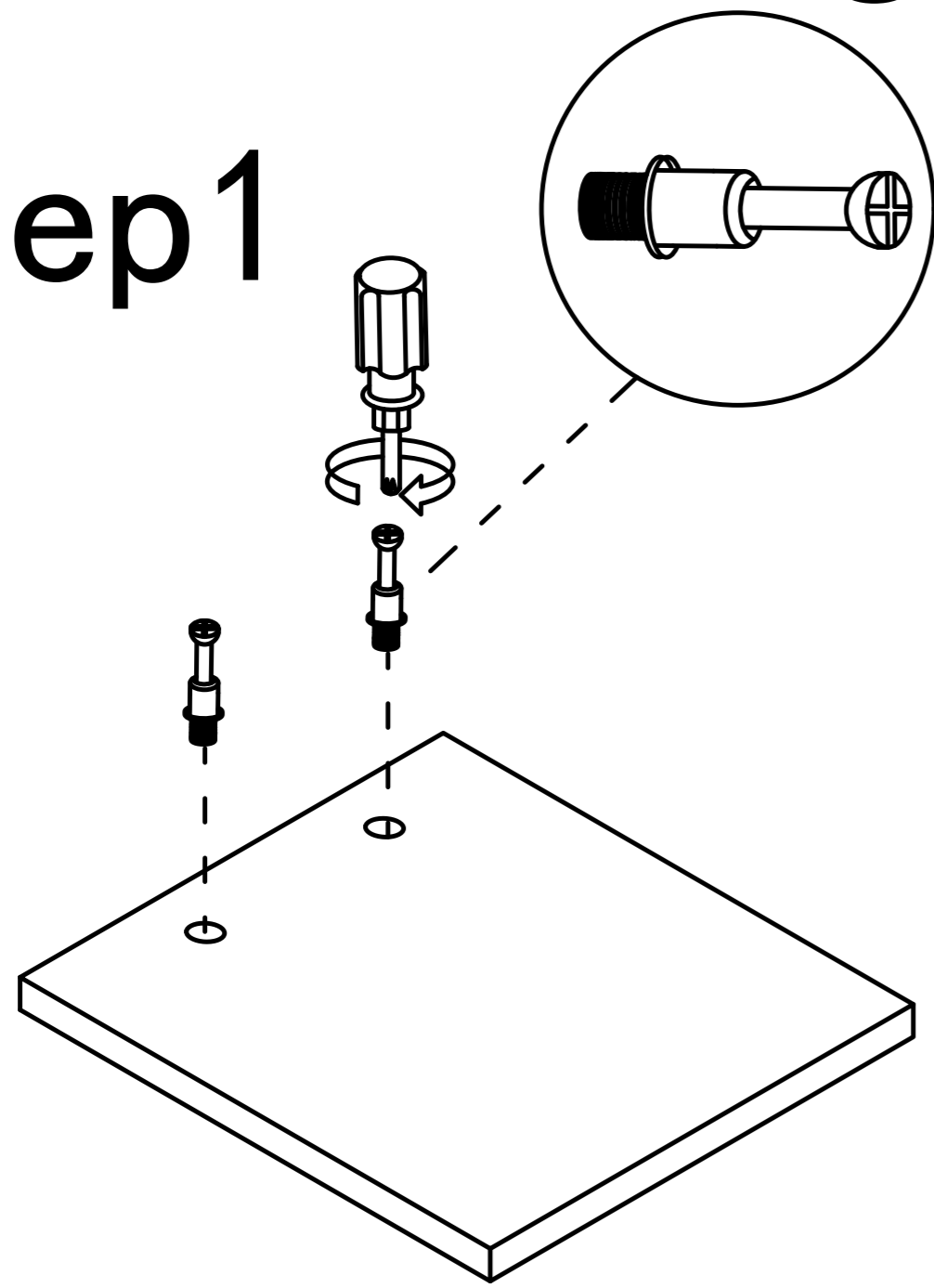


8pcs

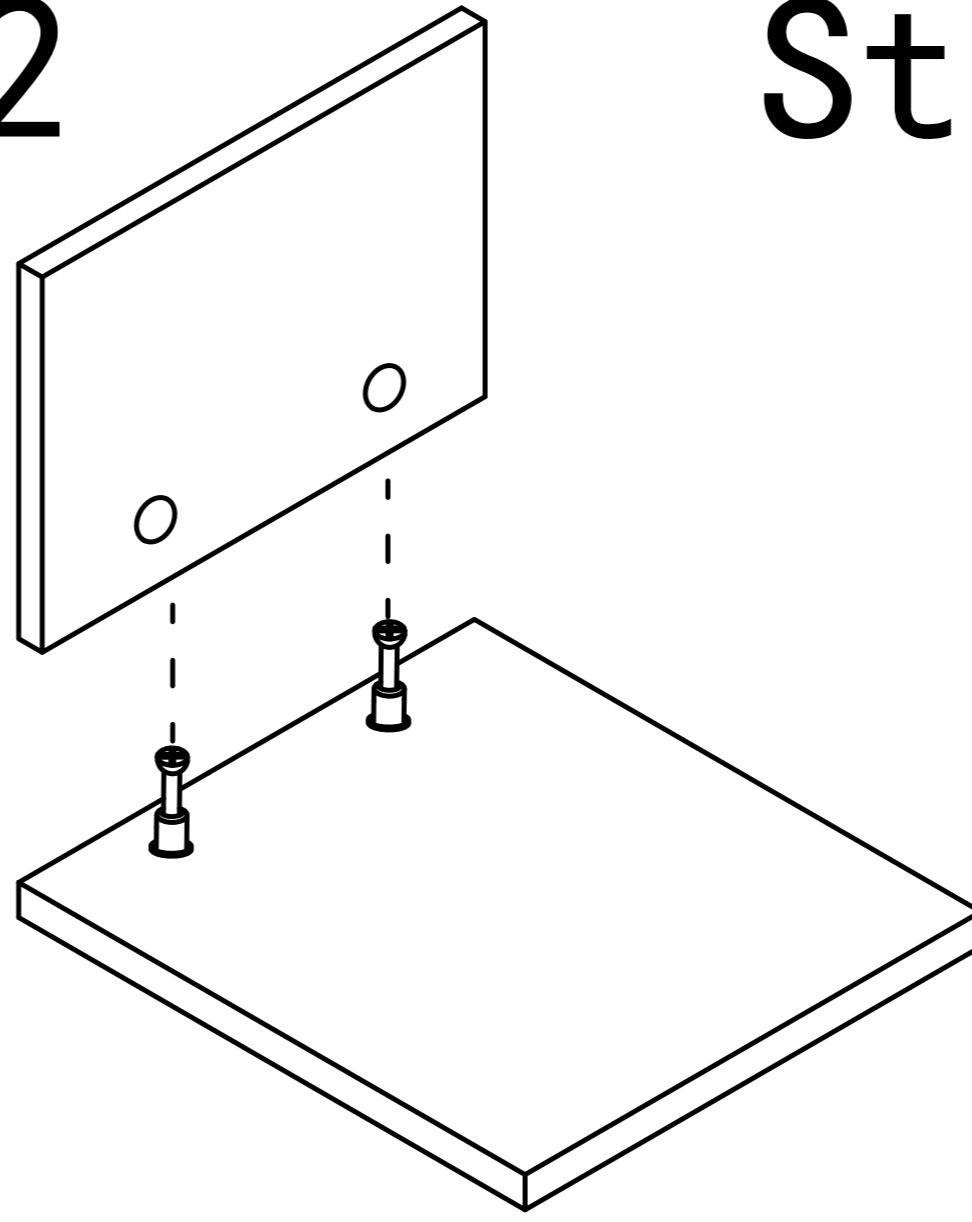


Use parts ① and ②

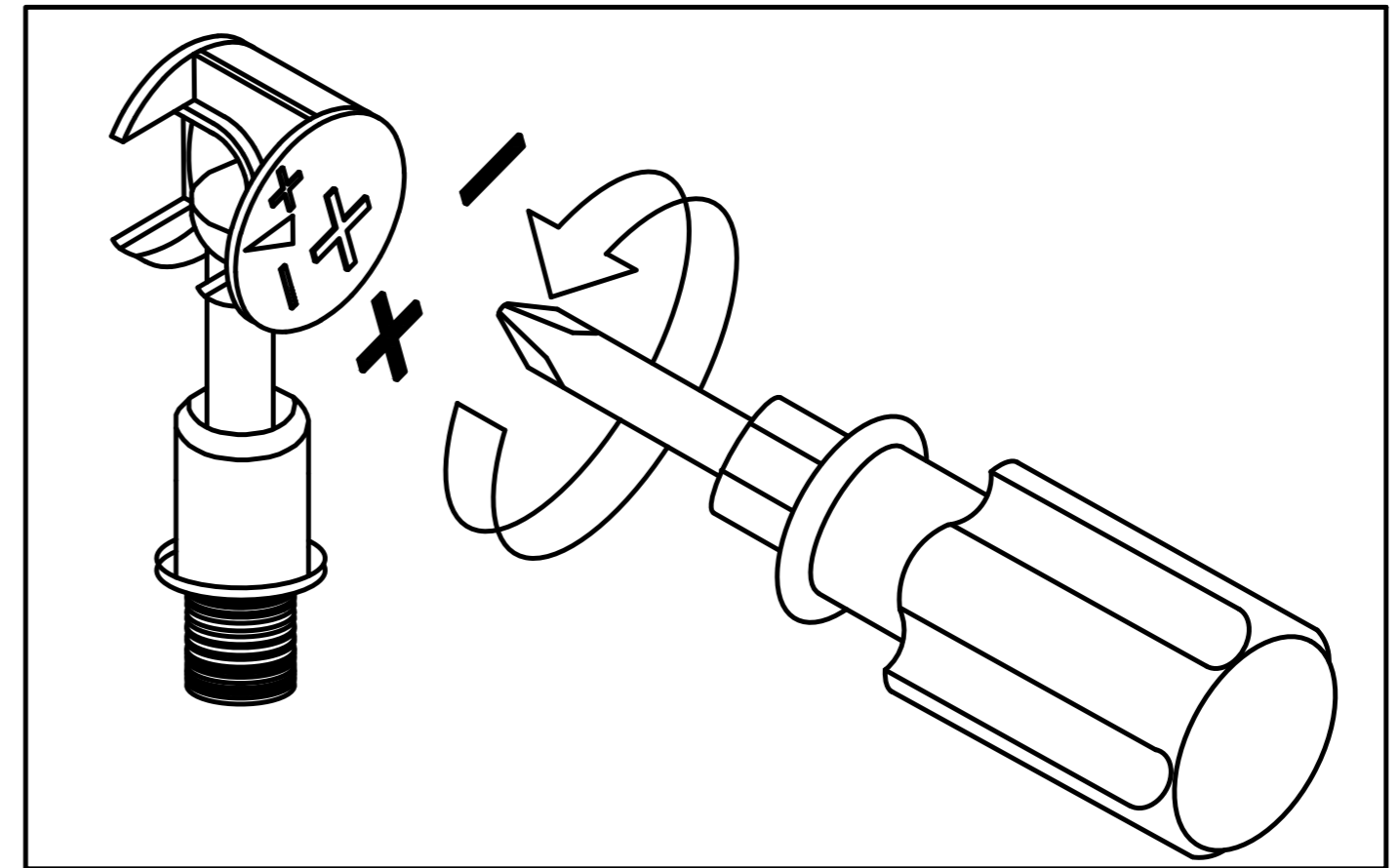
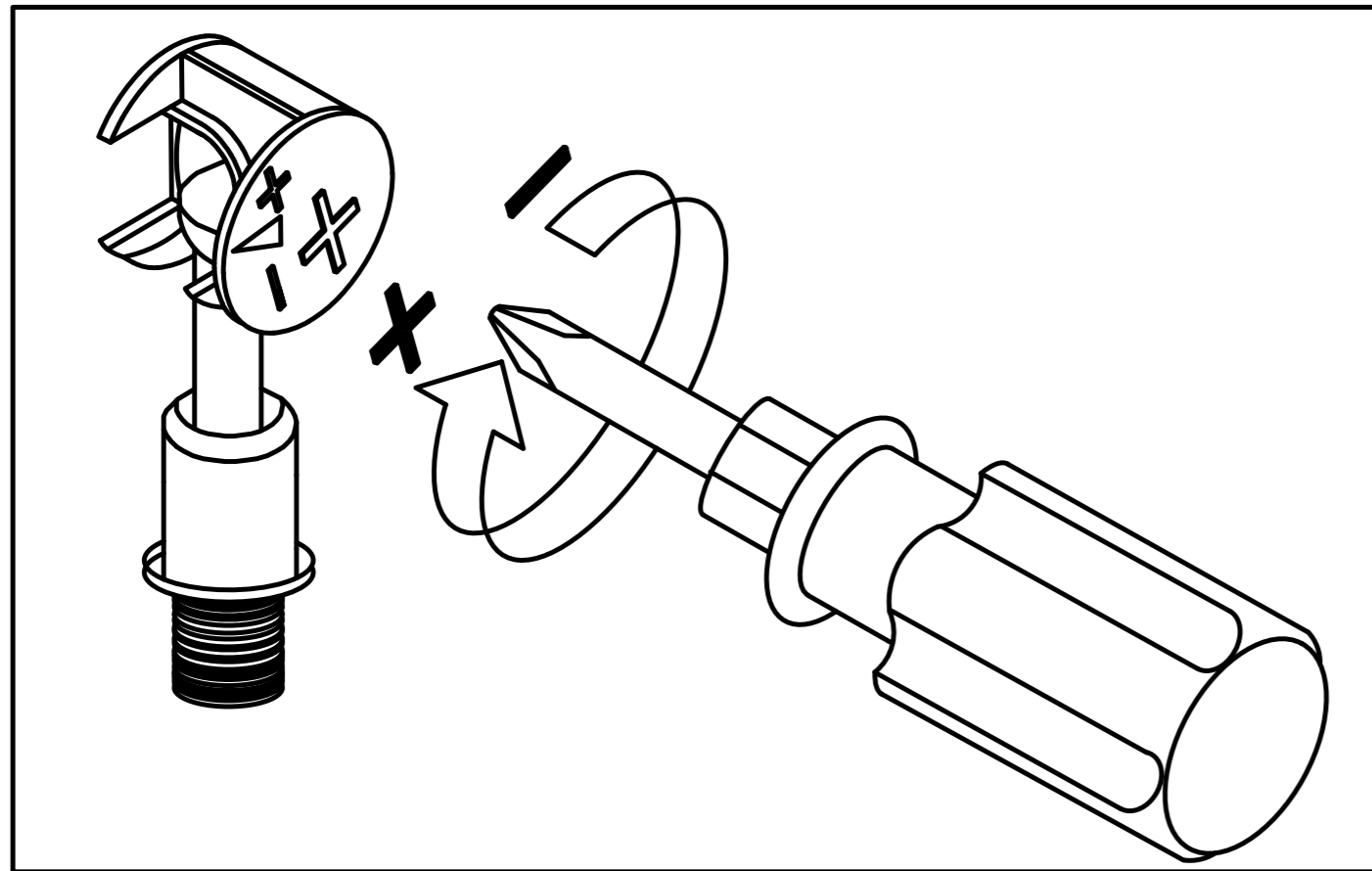
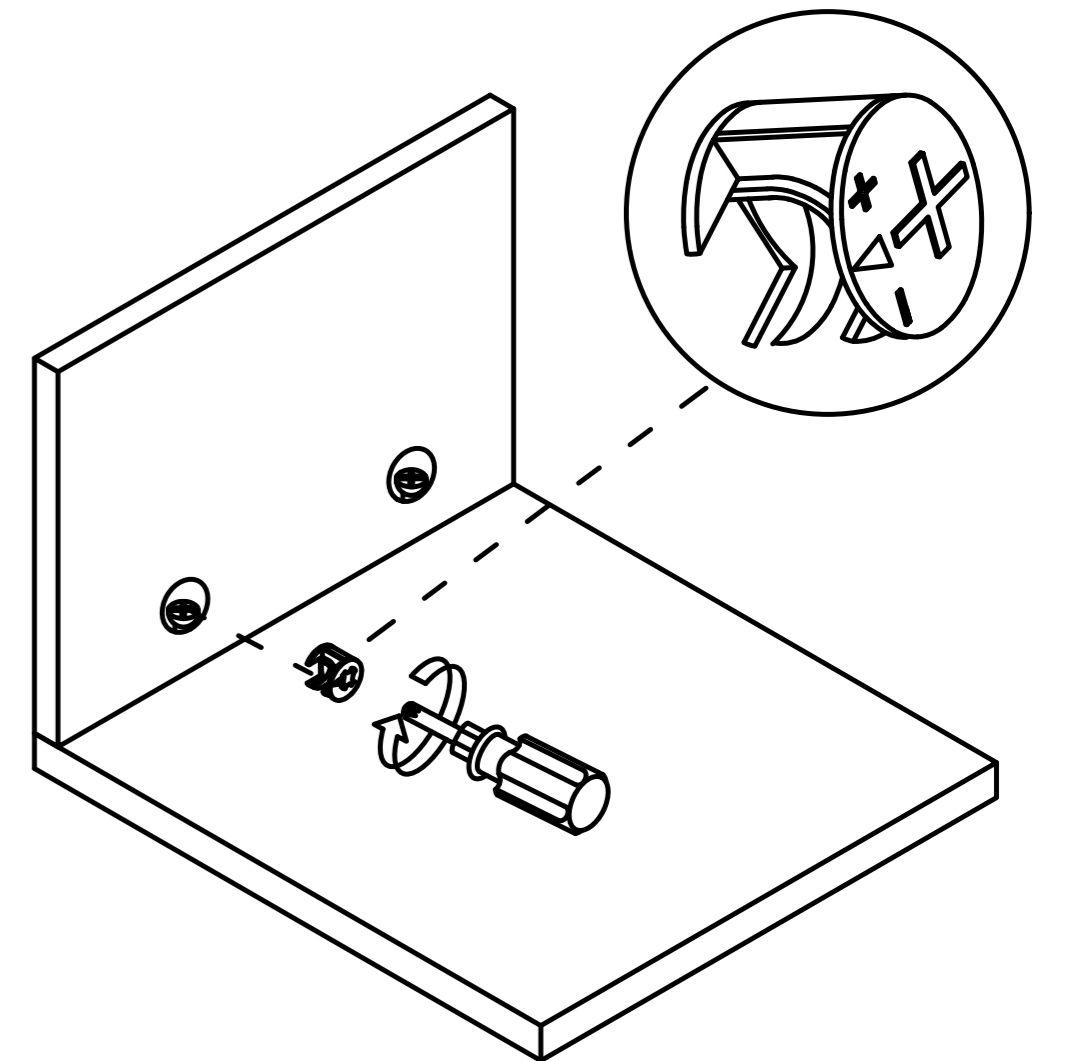
Step 1



Step 2



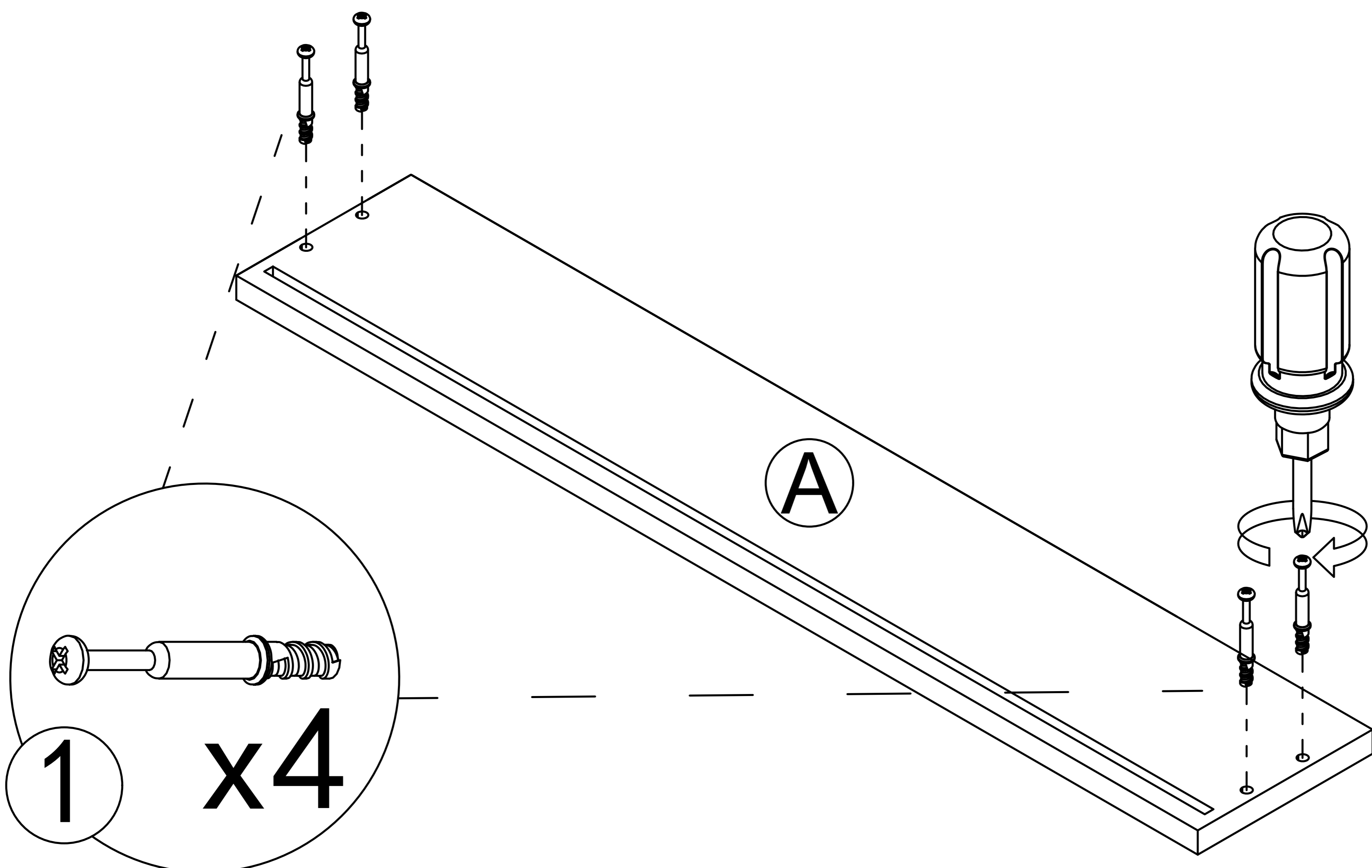
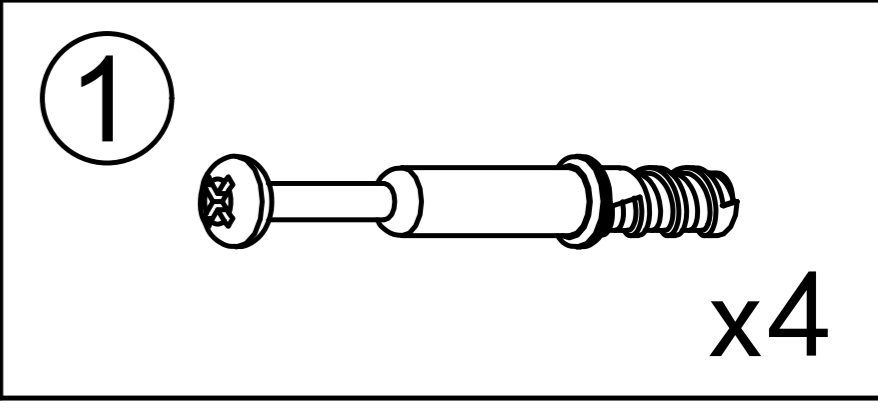
Step 3



Use a screwdriver to lock in the direction of the "+" sign

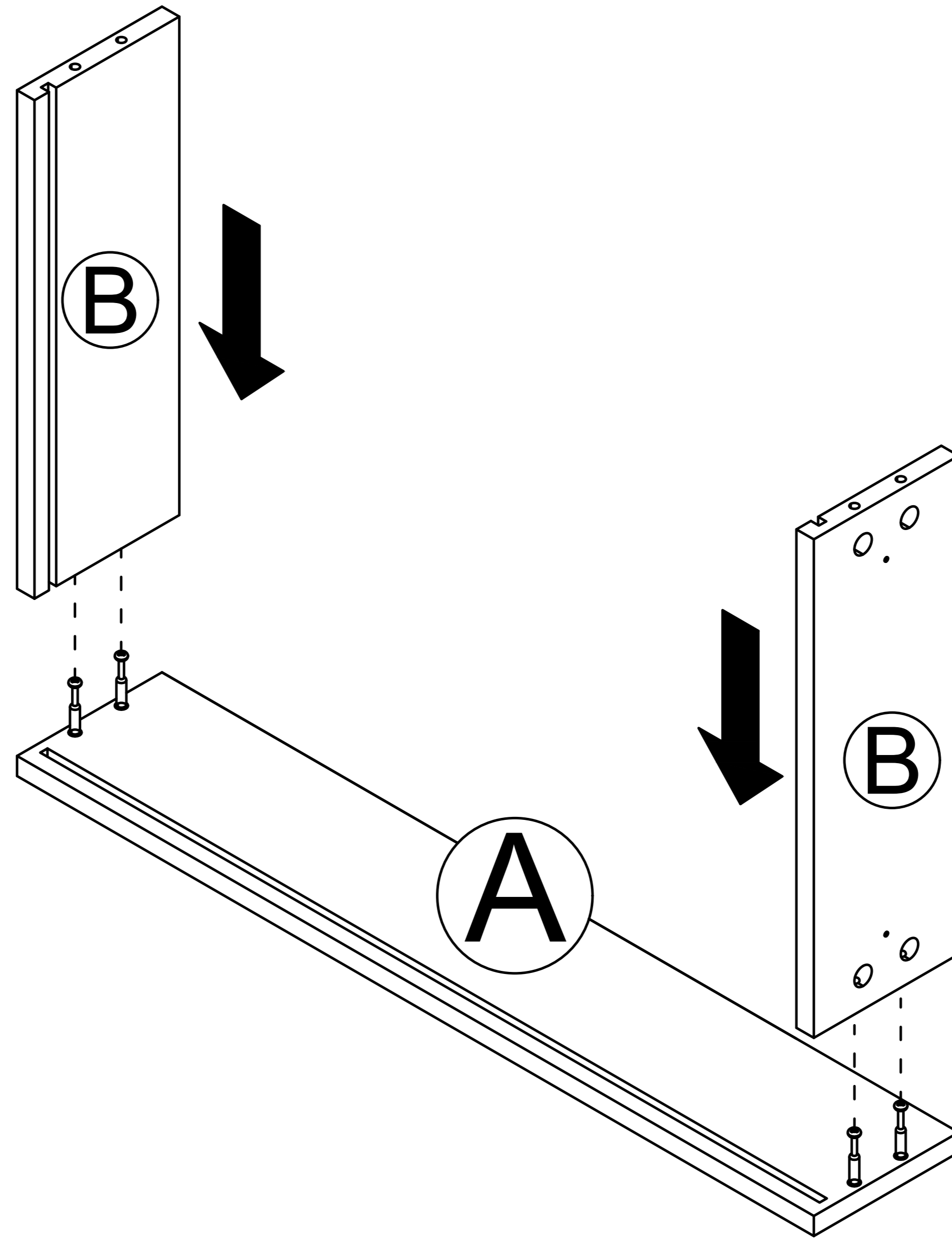
Disassemble along the direction of "-" sign

Step 1

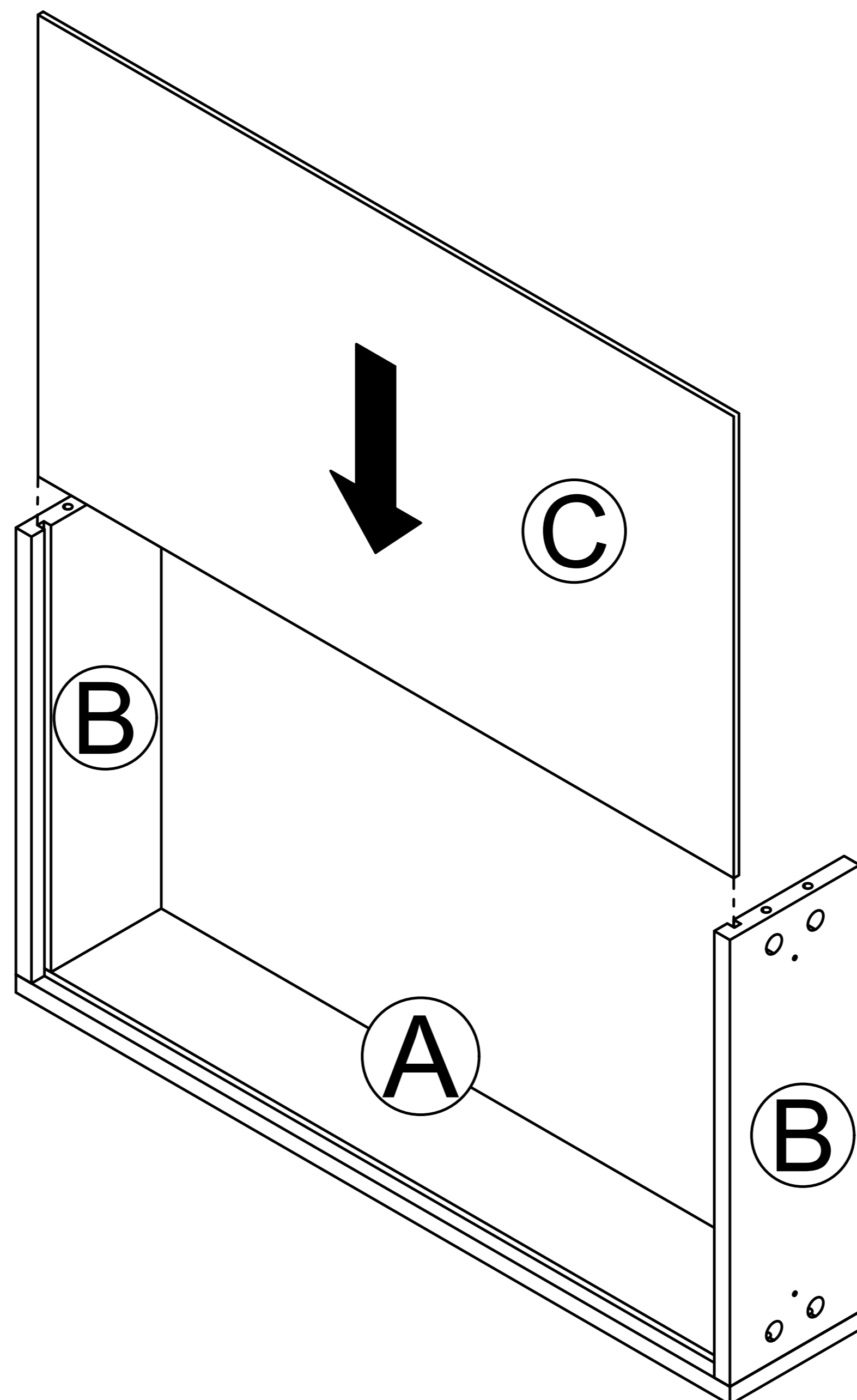


5

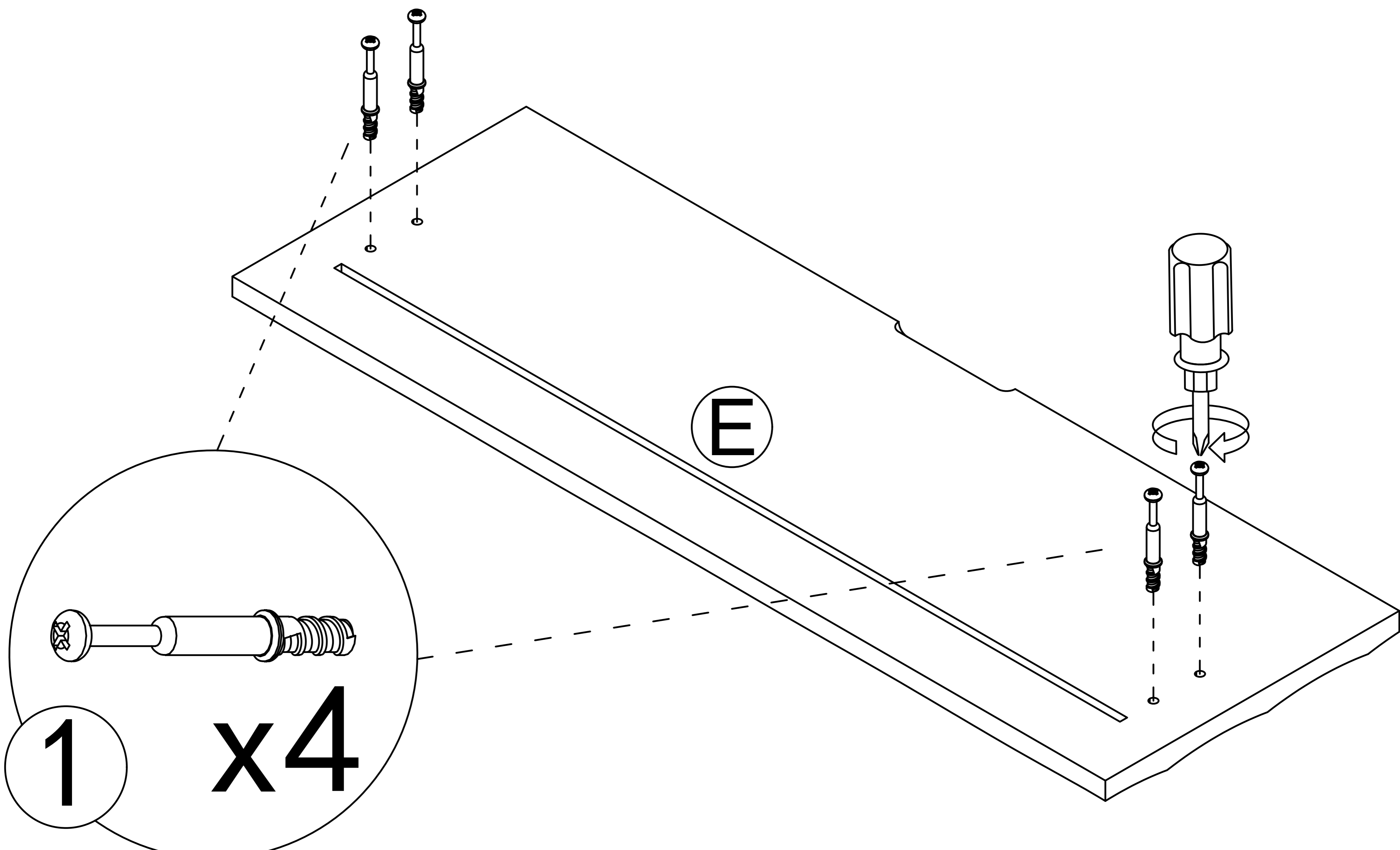
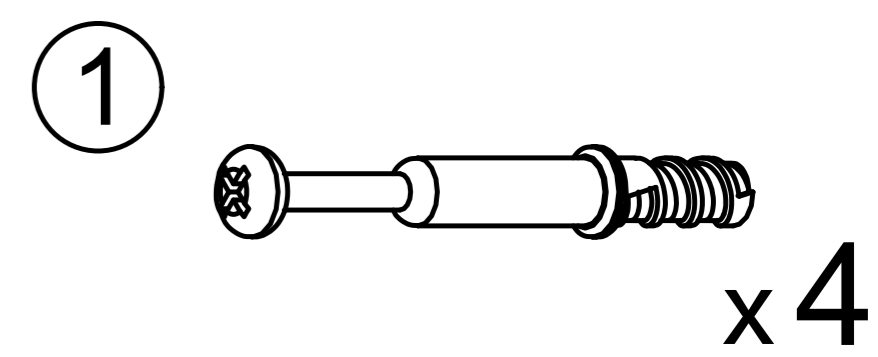
Step 2



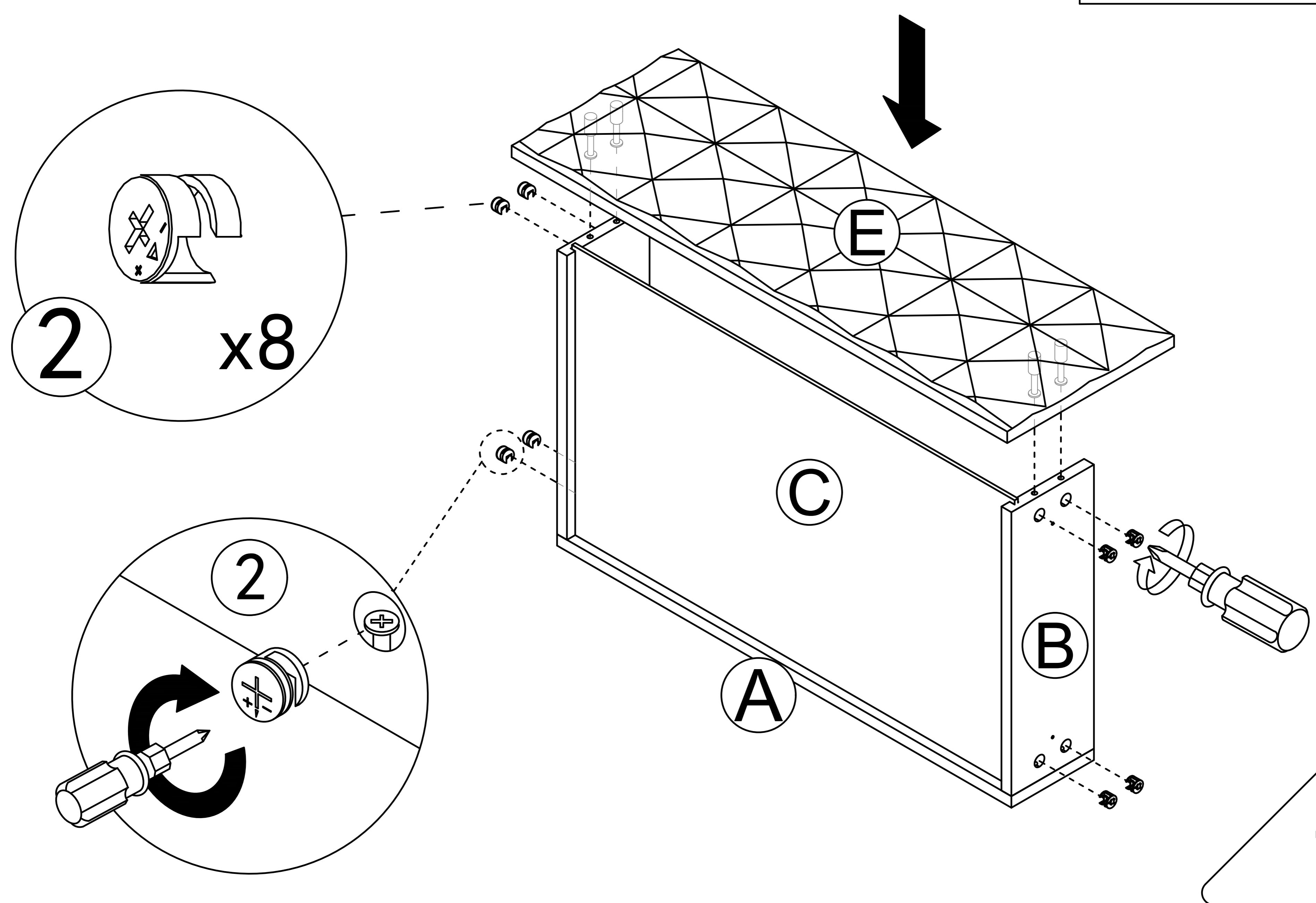
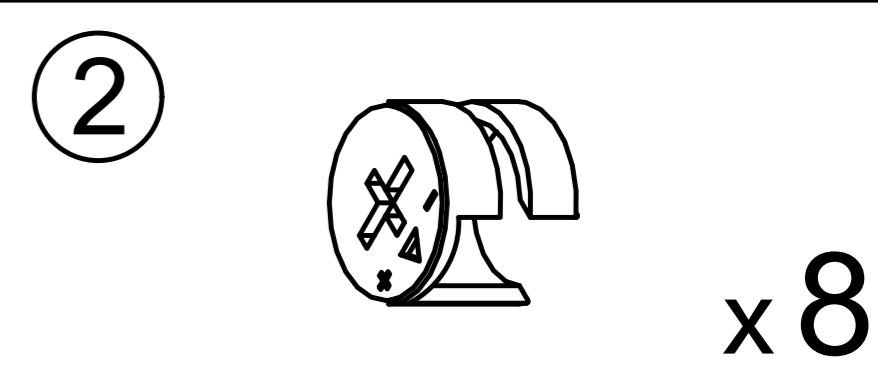
Step 3



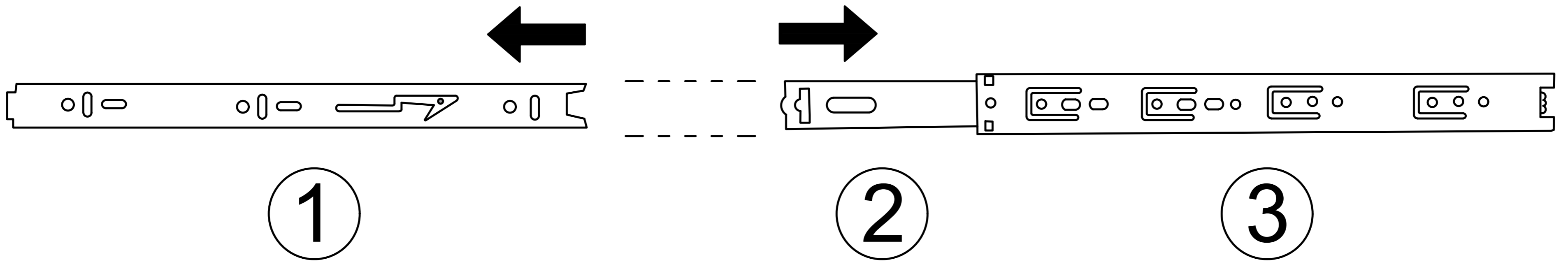
Step 4



Step 5

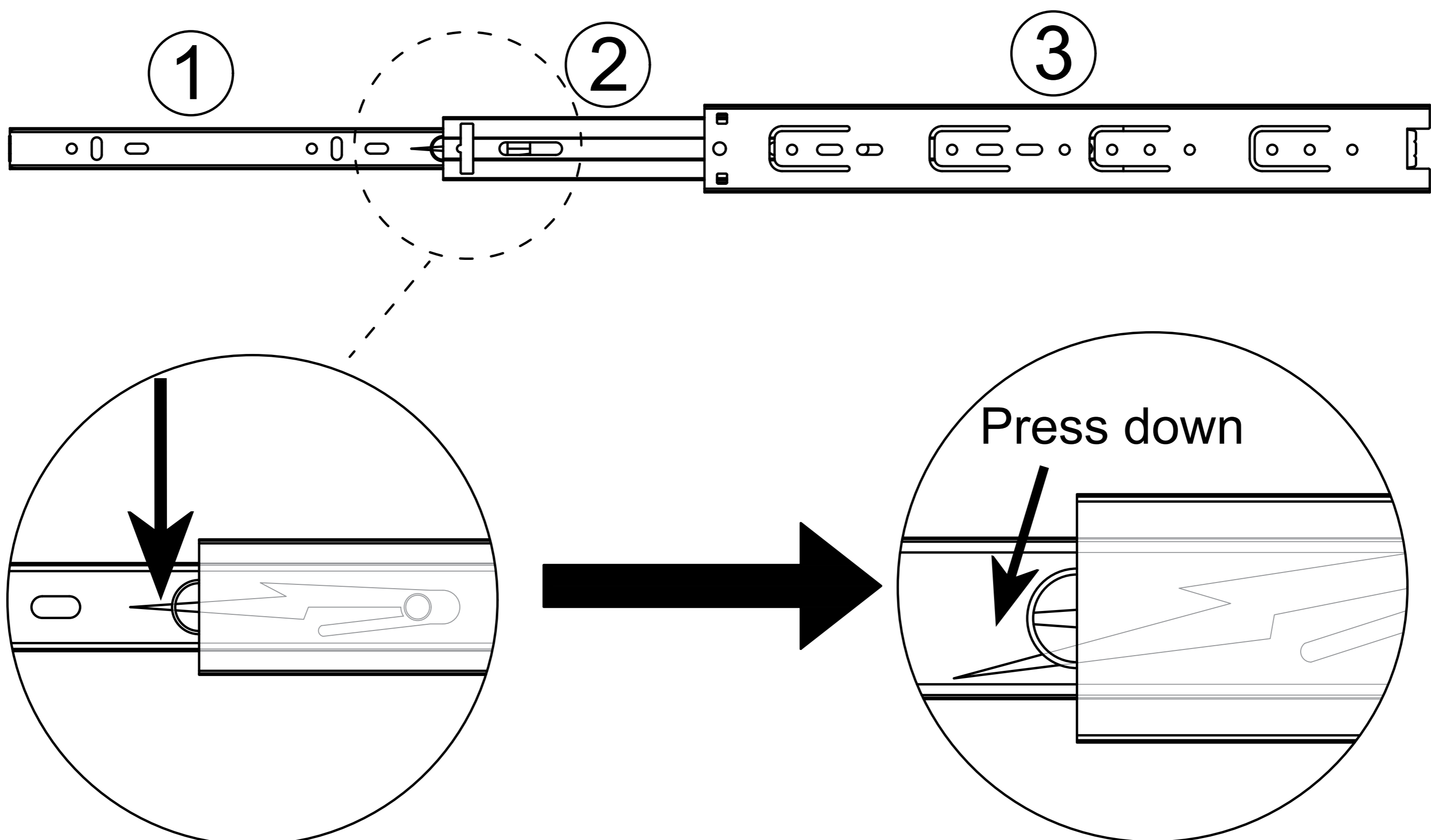


Drawer rail breakdown diagram



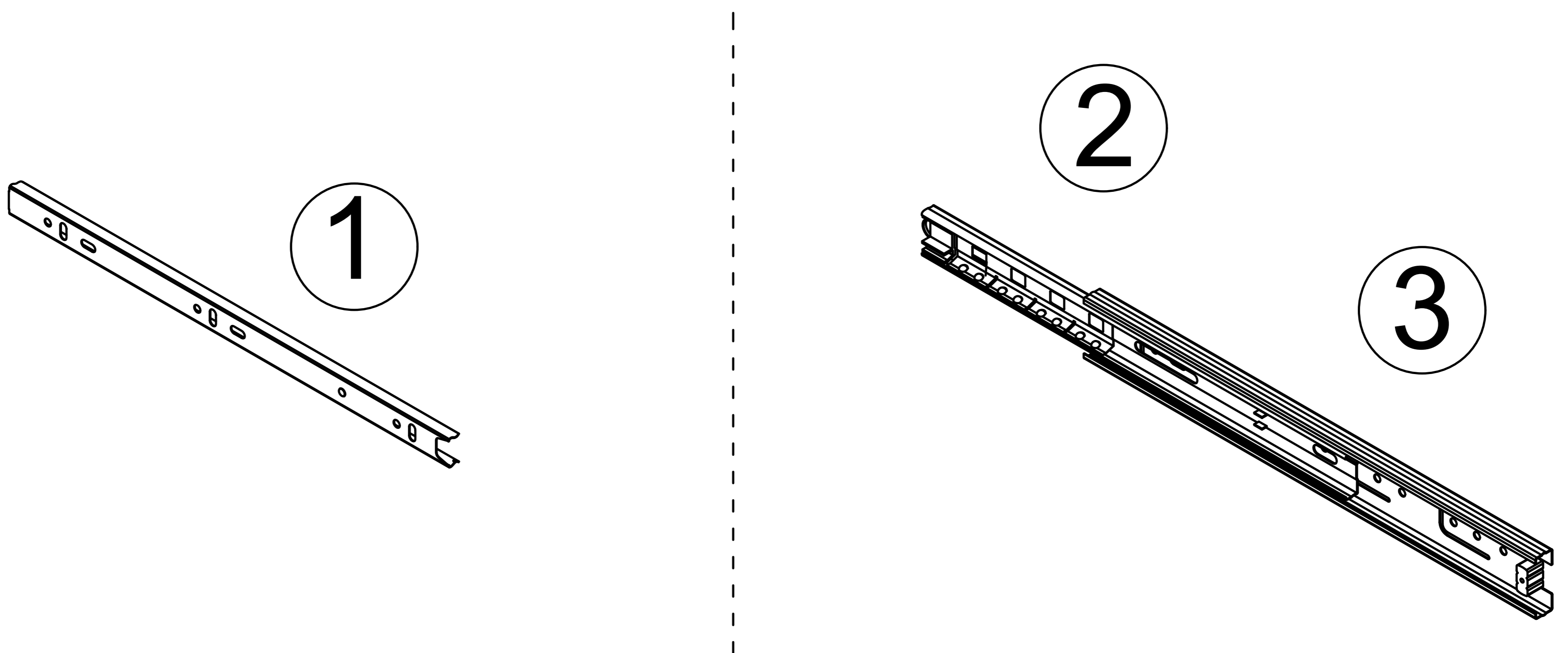
① Dismantle the schematic diagram

Step 1 : Pull the rails apart

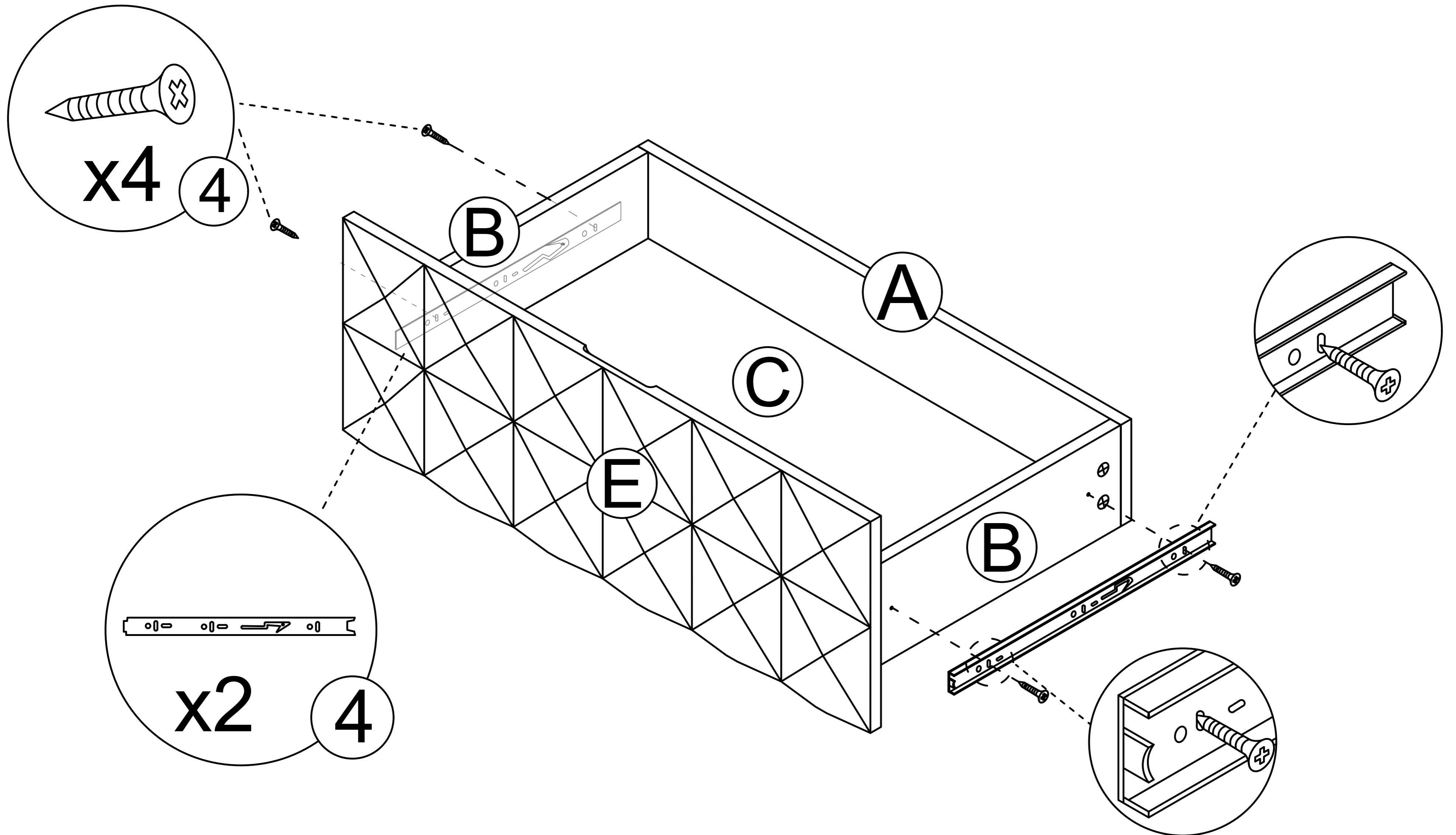
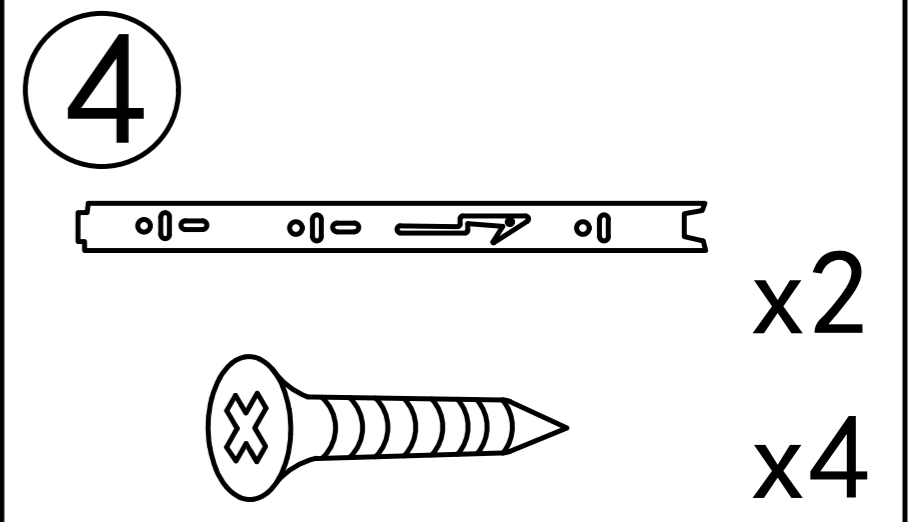
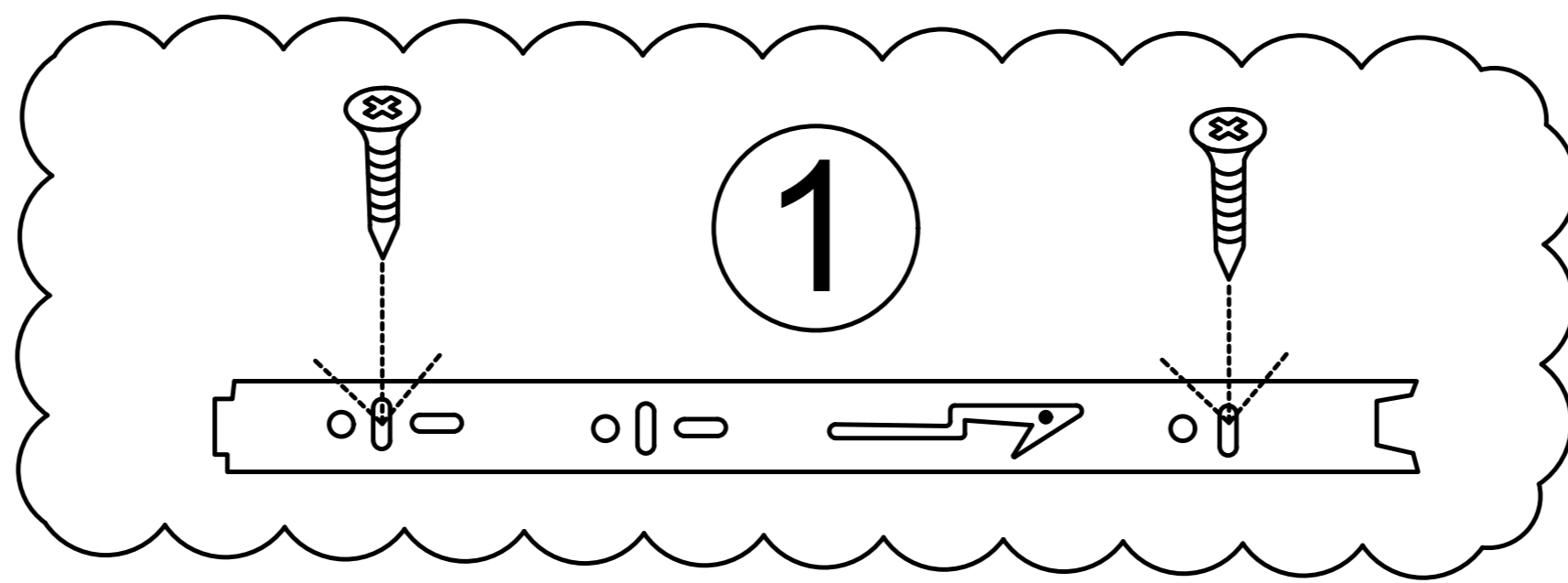


Step 2 : Press the nylon button and pull out ①.

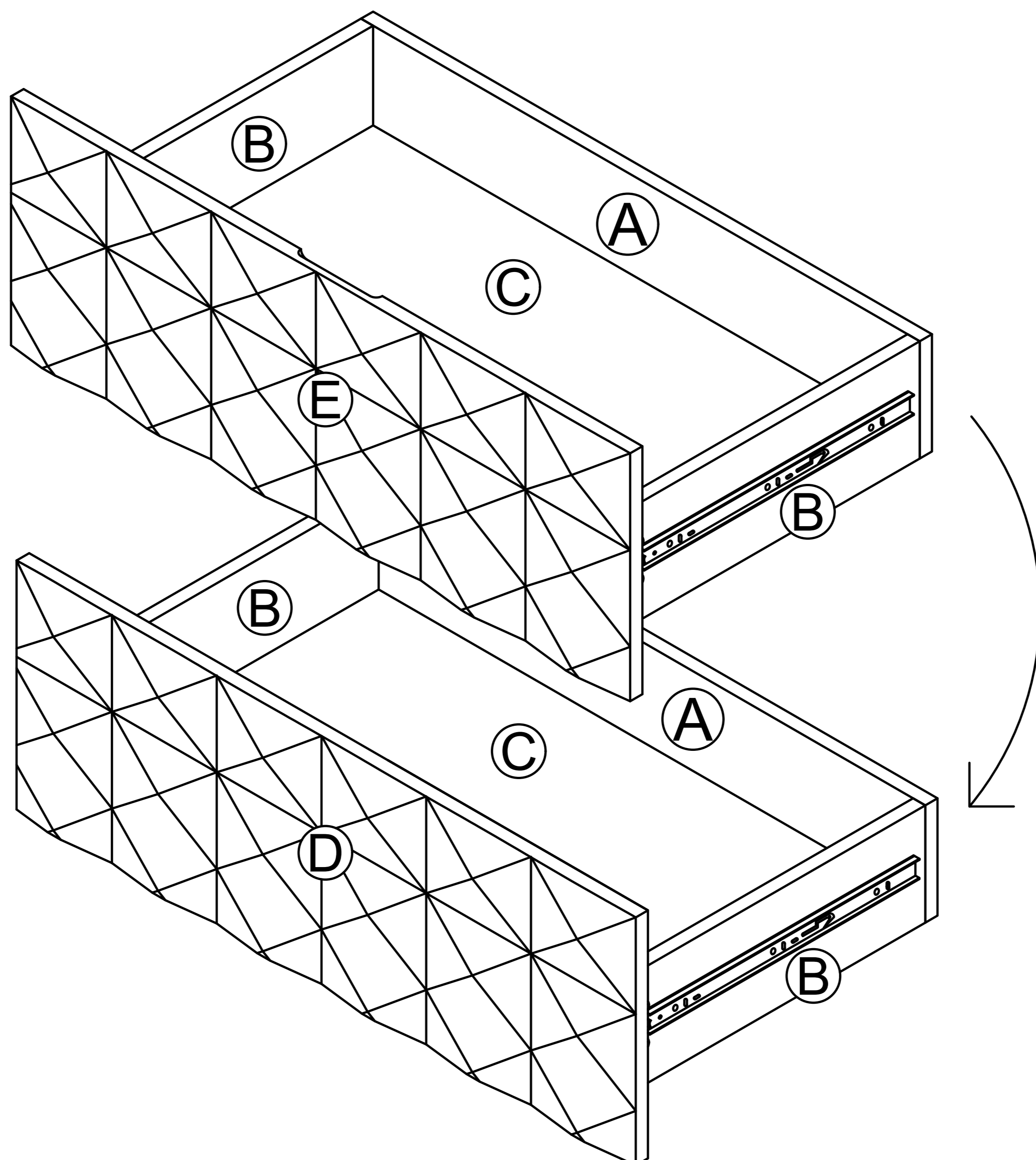
Drawer rail decomposition completed schematic diagram



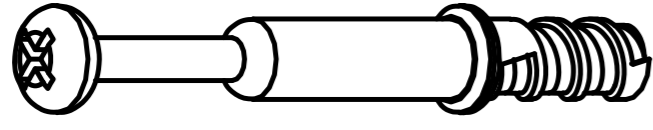
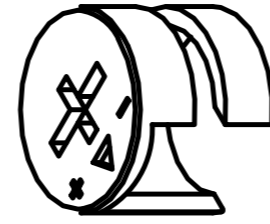
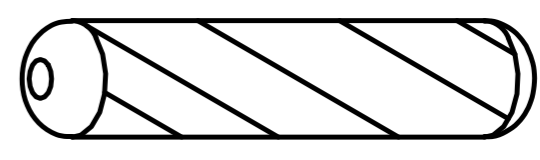
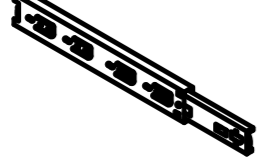





Step 6

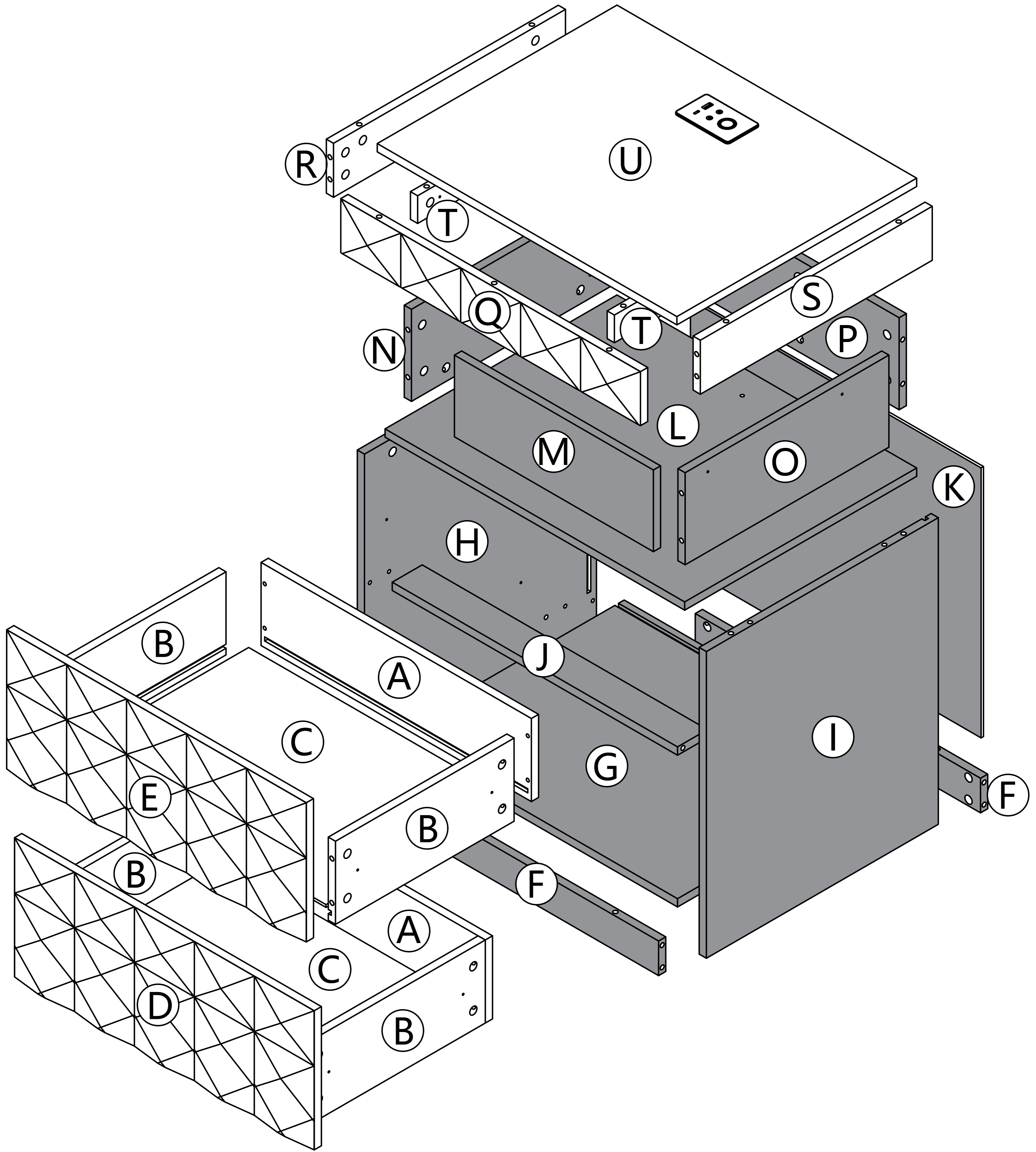


Step 7

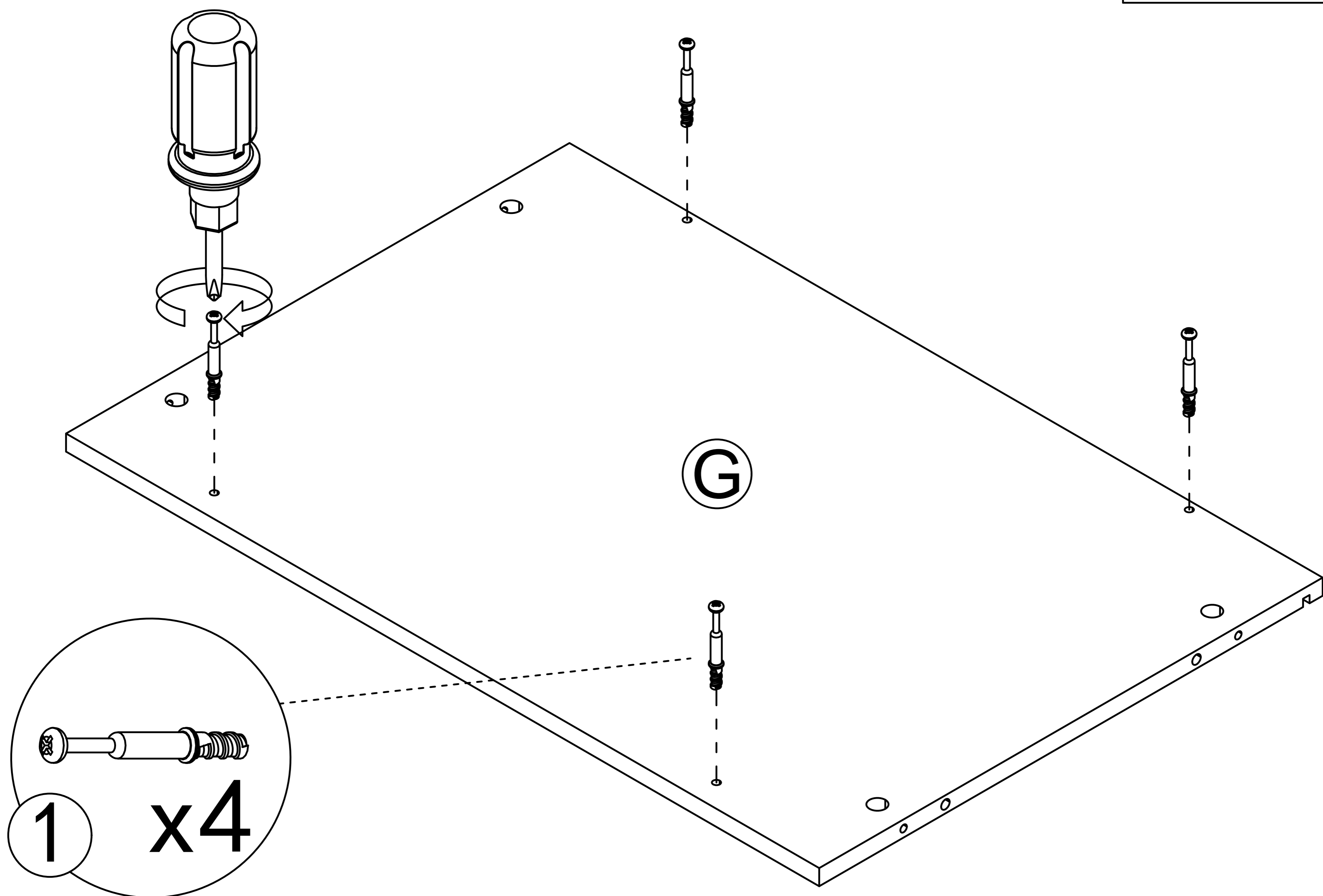
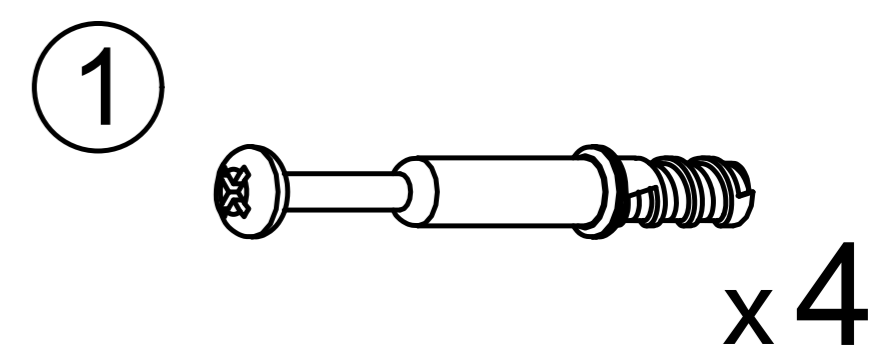


The installation method for the other drawer is the same

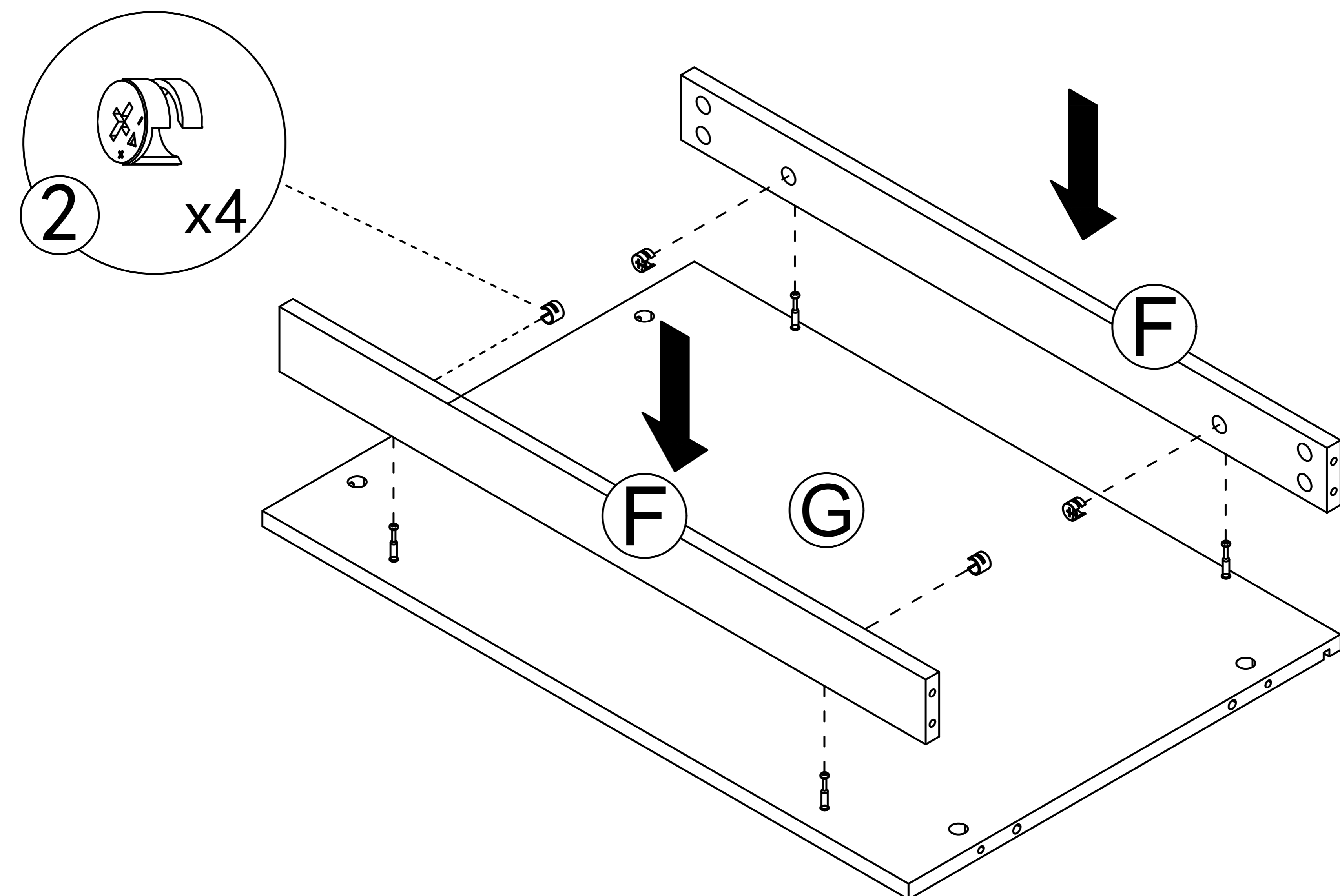
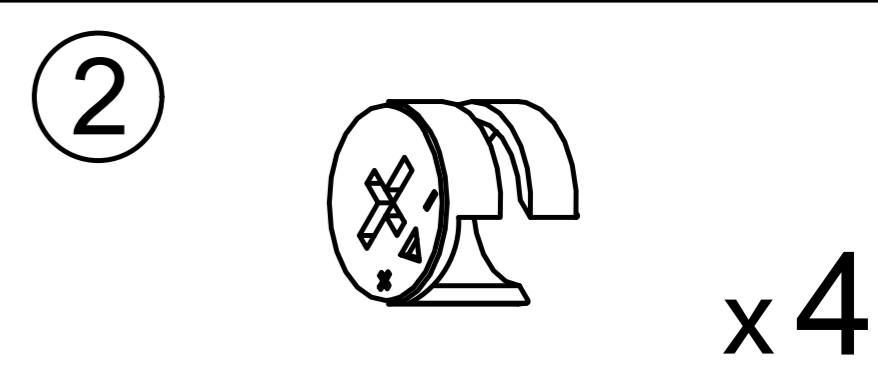
①		39pcs	②		39pcs	③		8pcs
④	 6pcs	 18pcs	⑥	  	1pcs	⑦		8pcs



Step 8

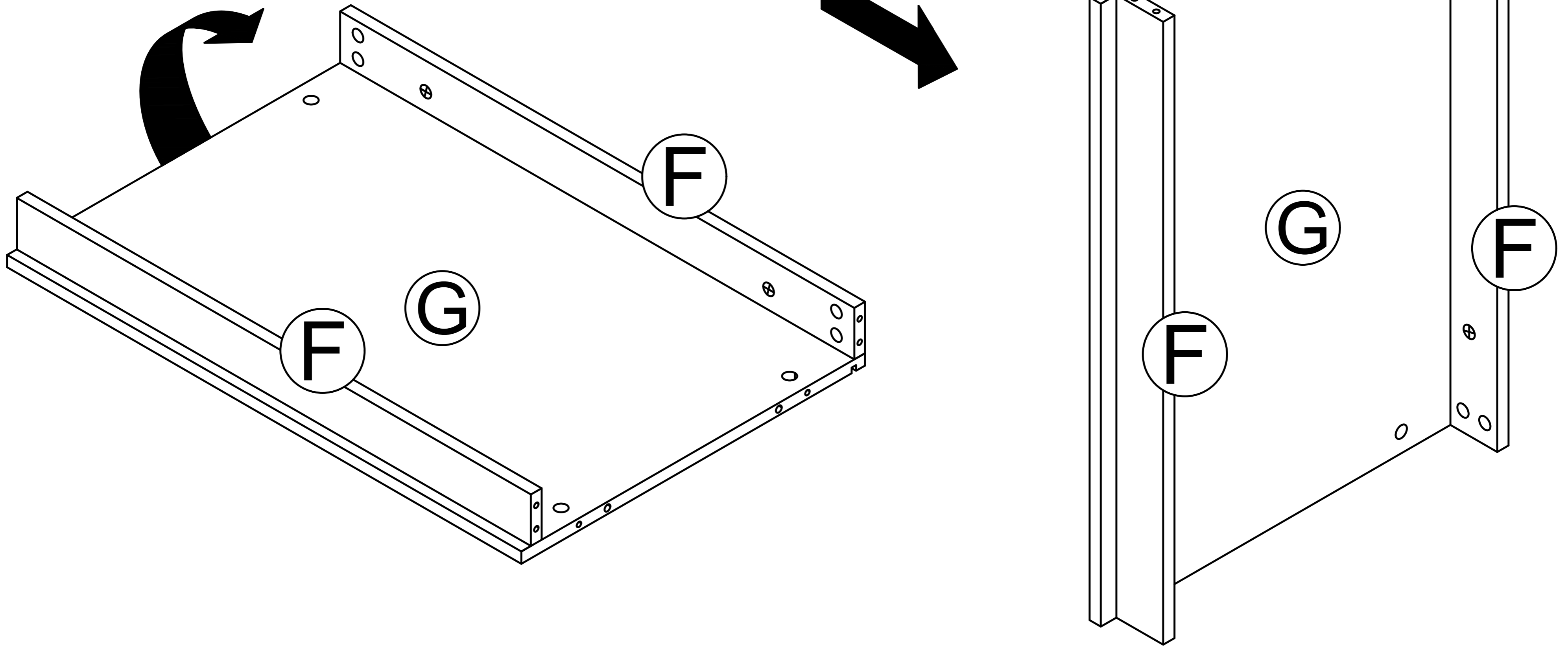


Step 9

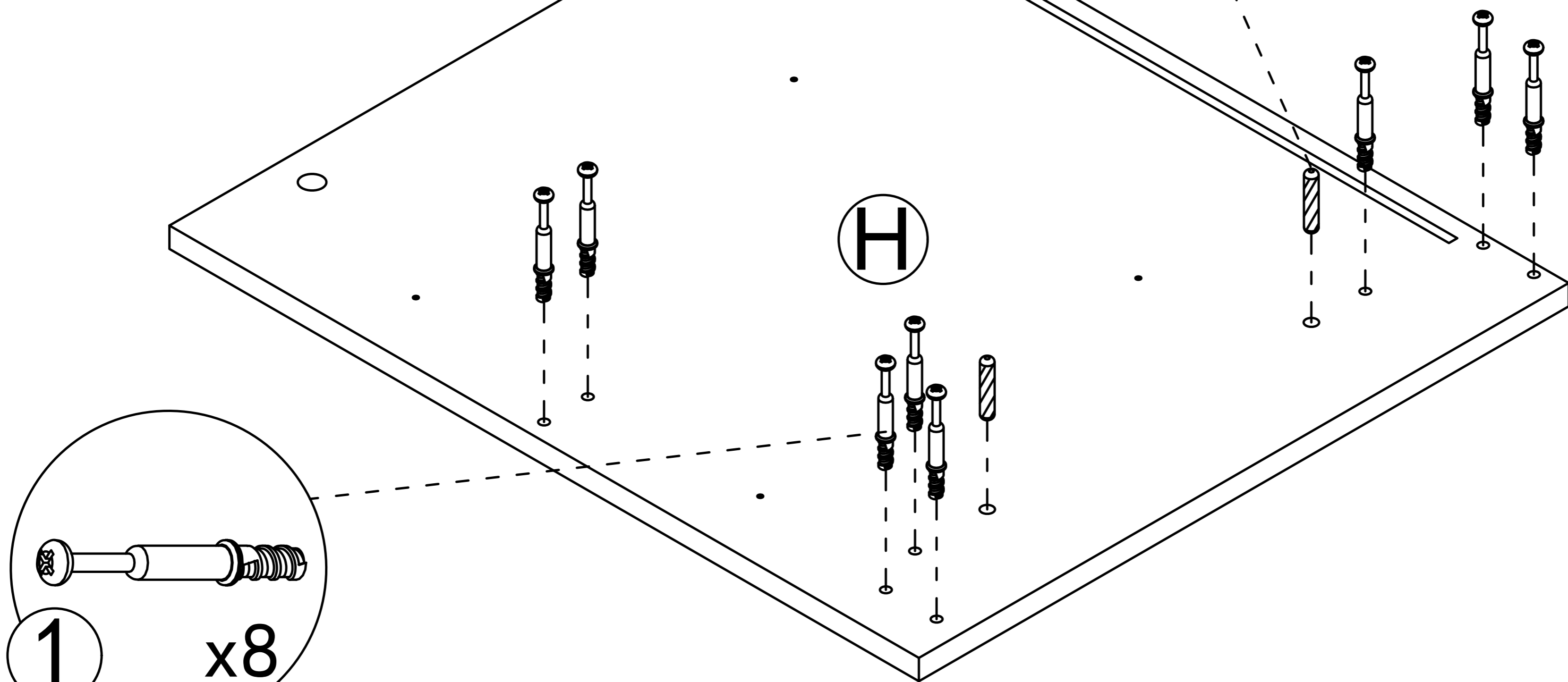


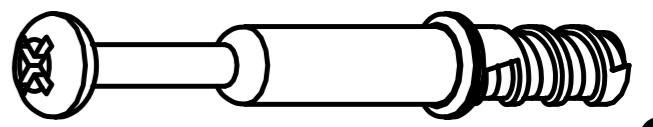
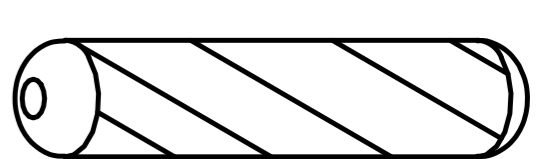
Step 10

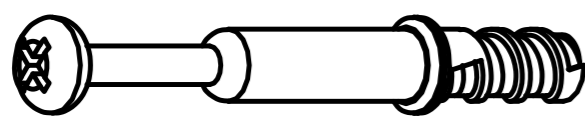
Flip it over

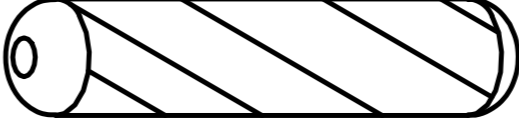


Step 11

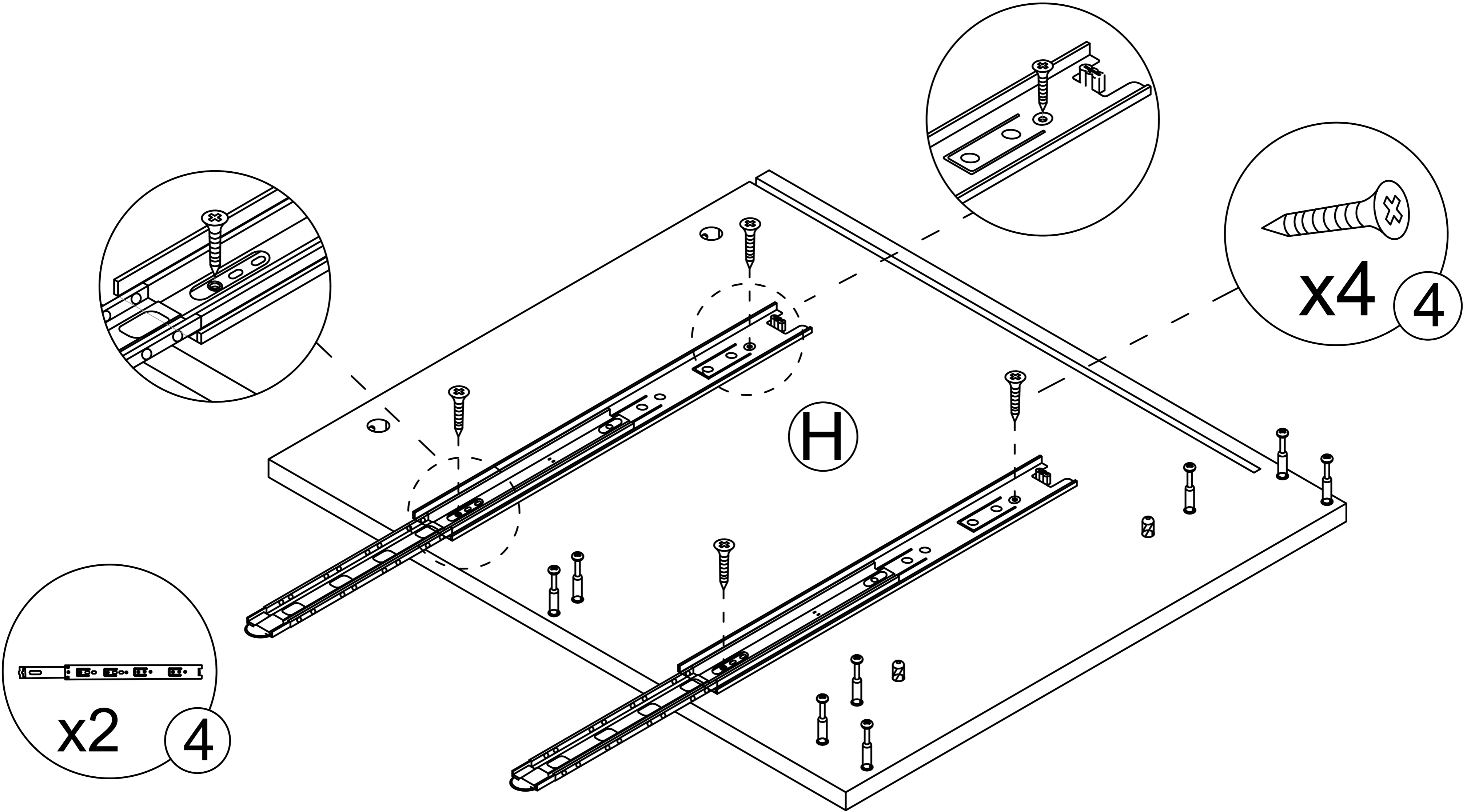
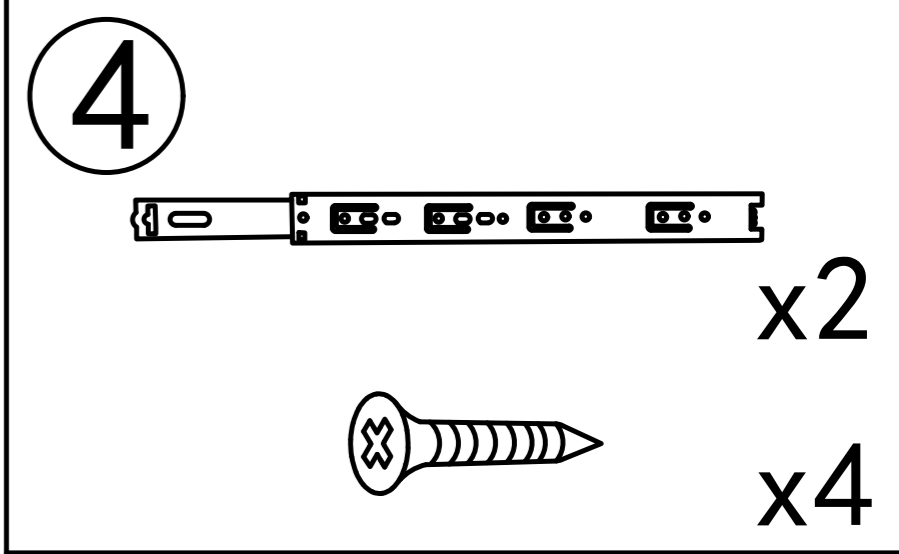
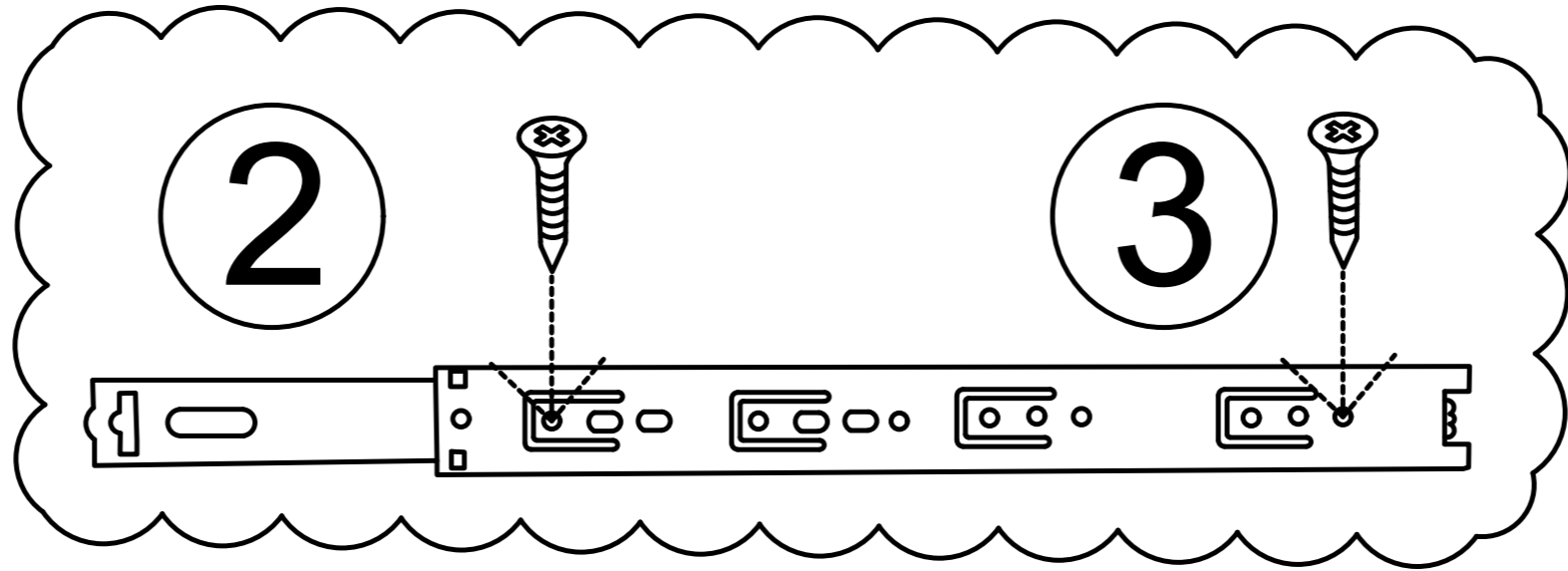


- ①  x8
- ③  x2

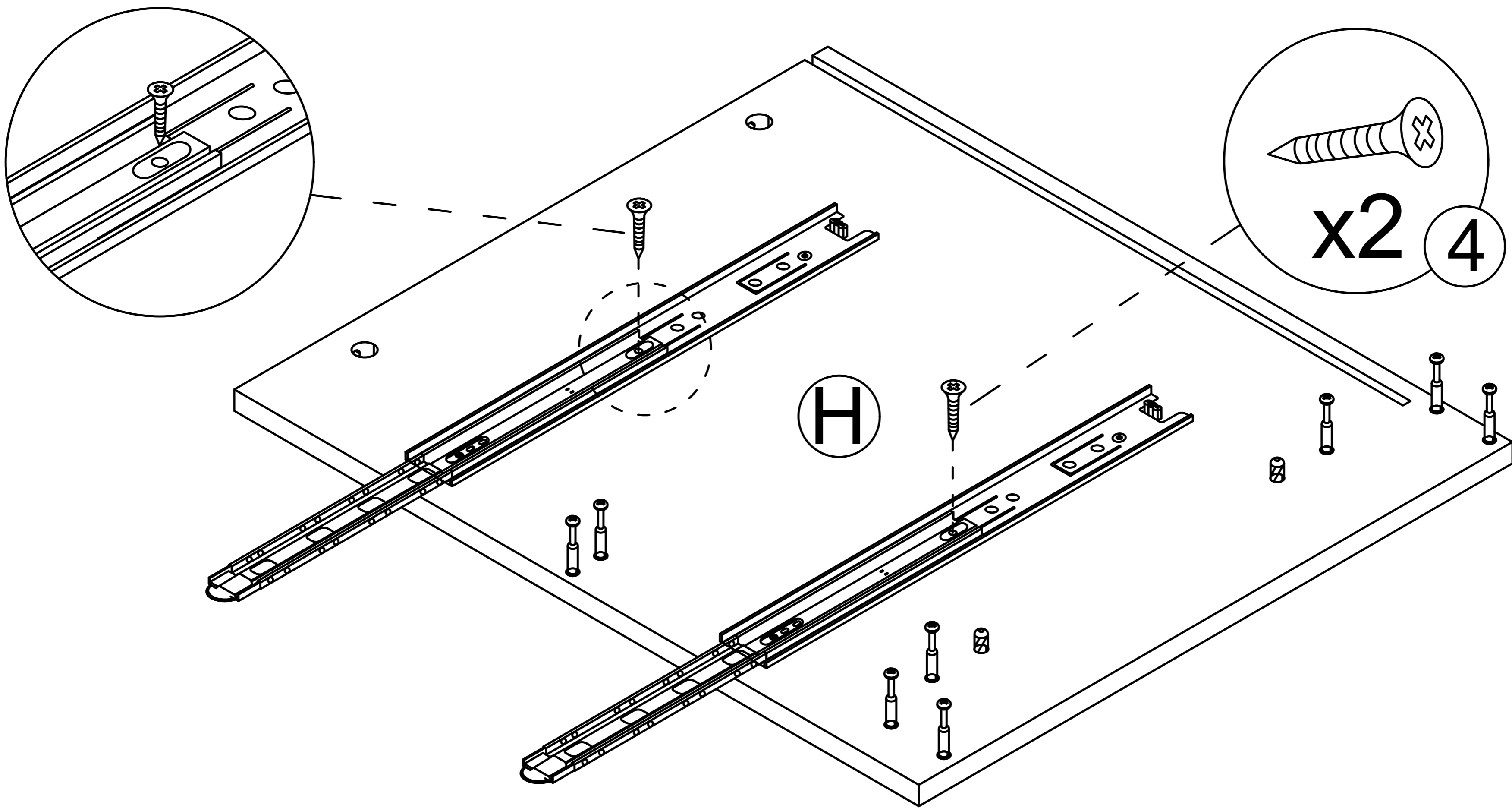
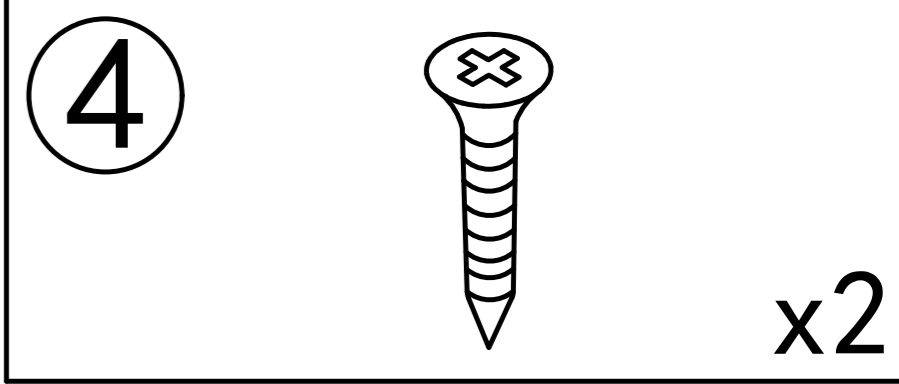
- ①  x8

- ③  x2

Step 12

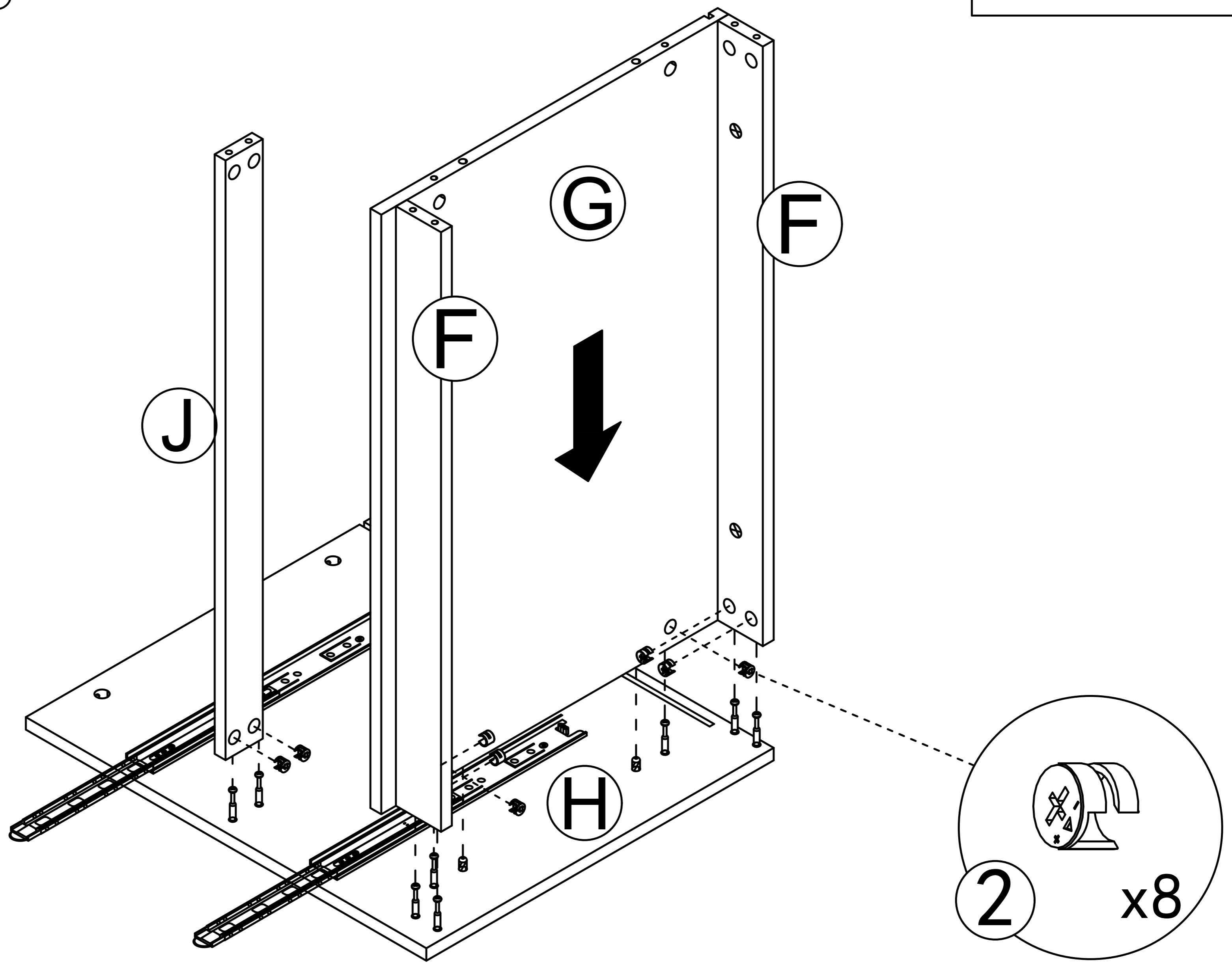
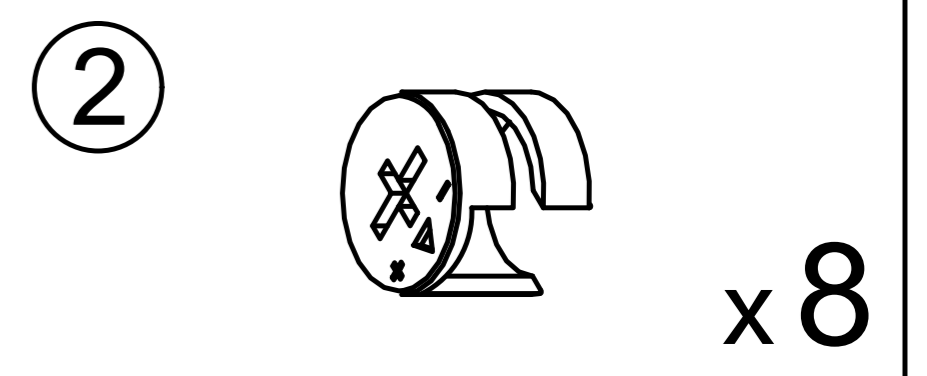


Step 13

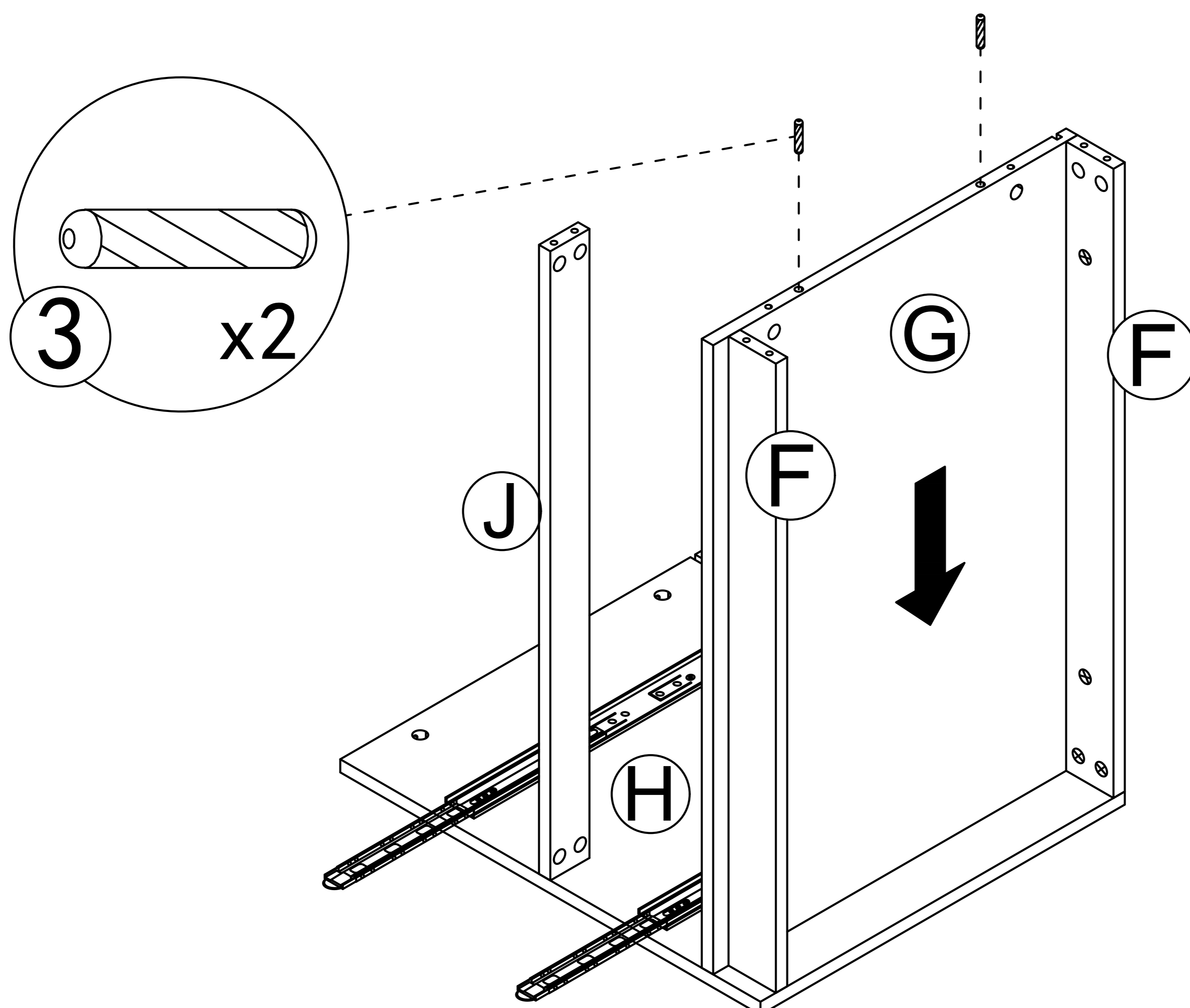
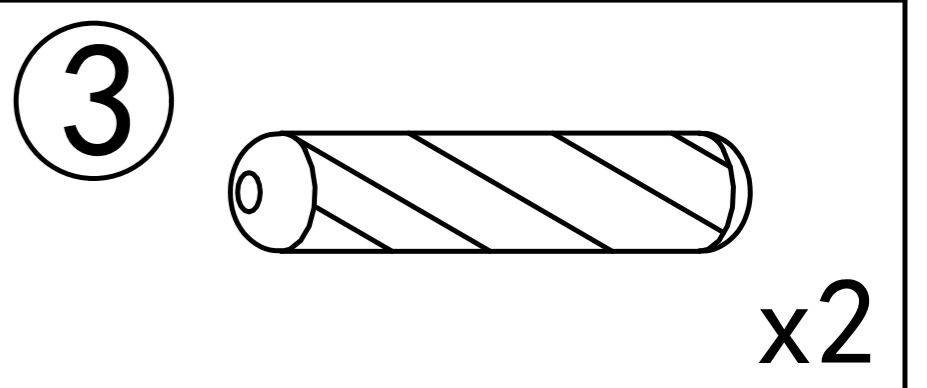


This hole is for strengthening fixed hole customers can choose to install according to their needs.

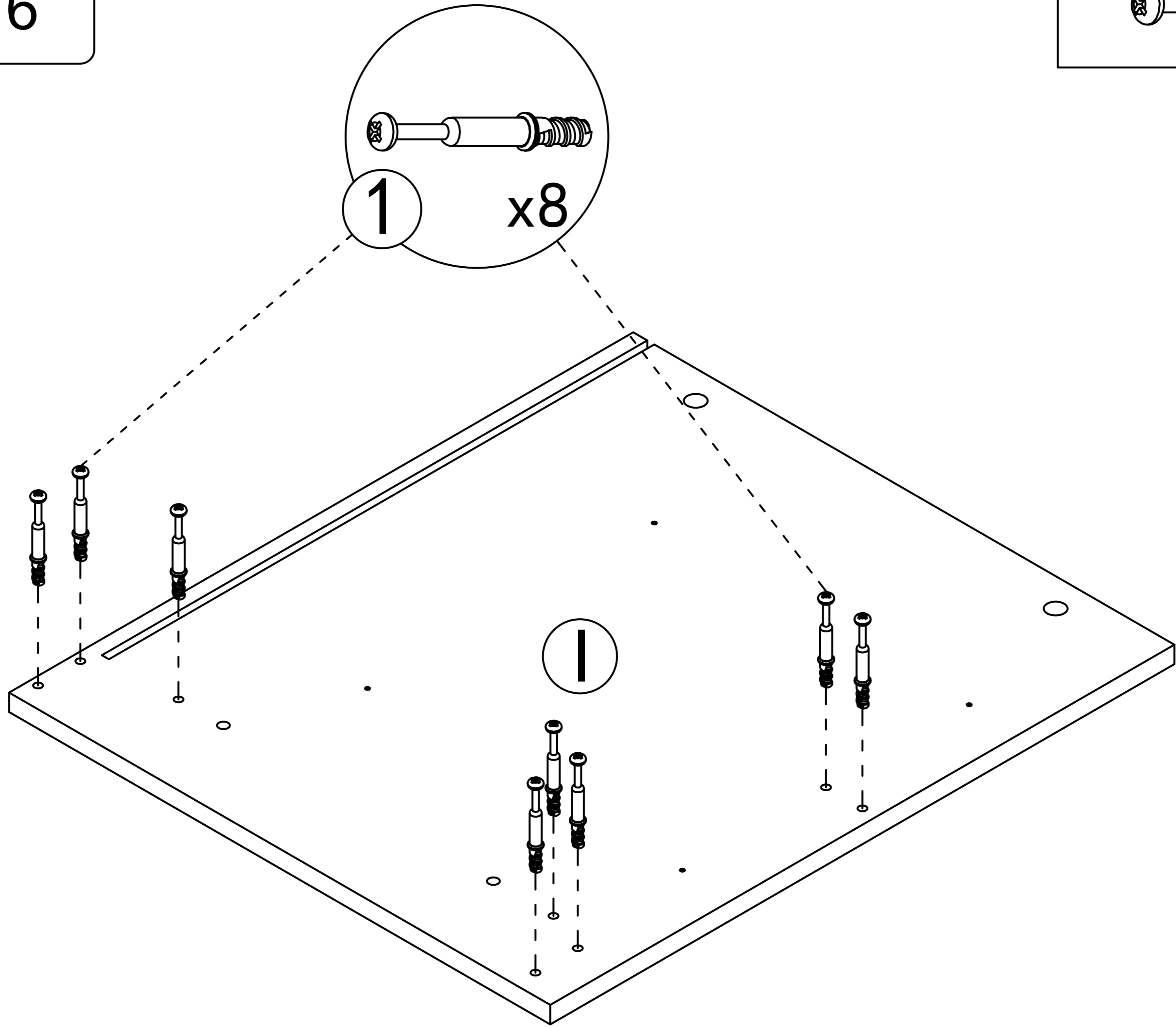
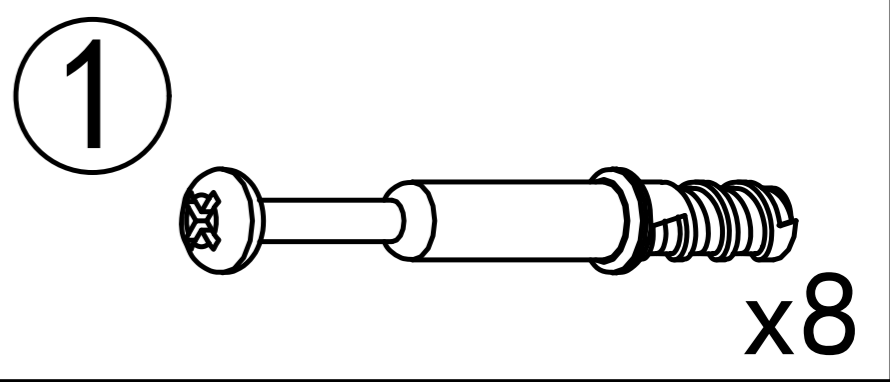
Step 14



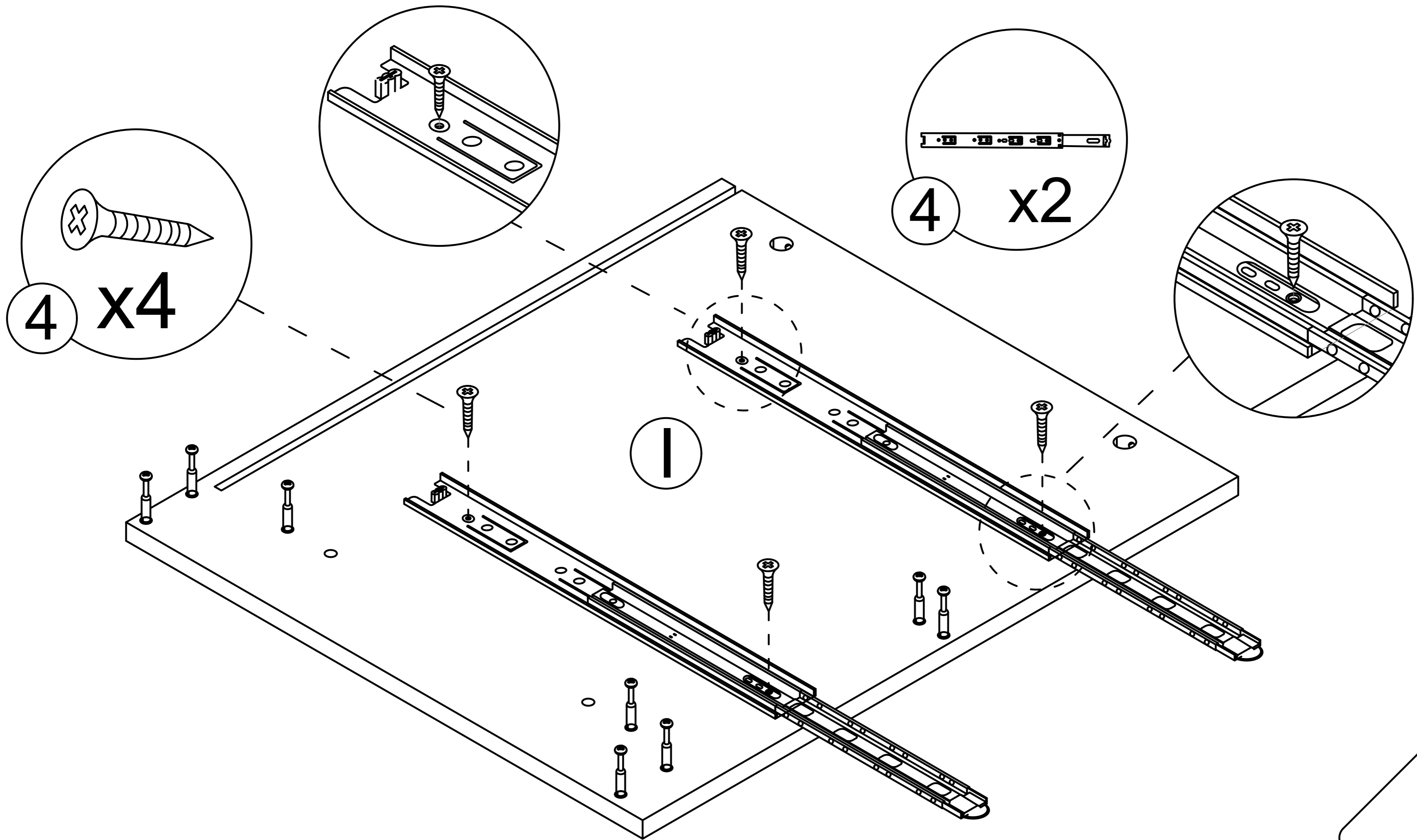
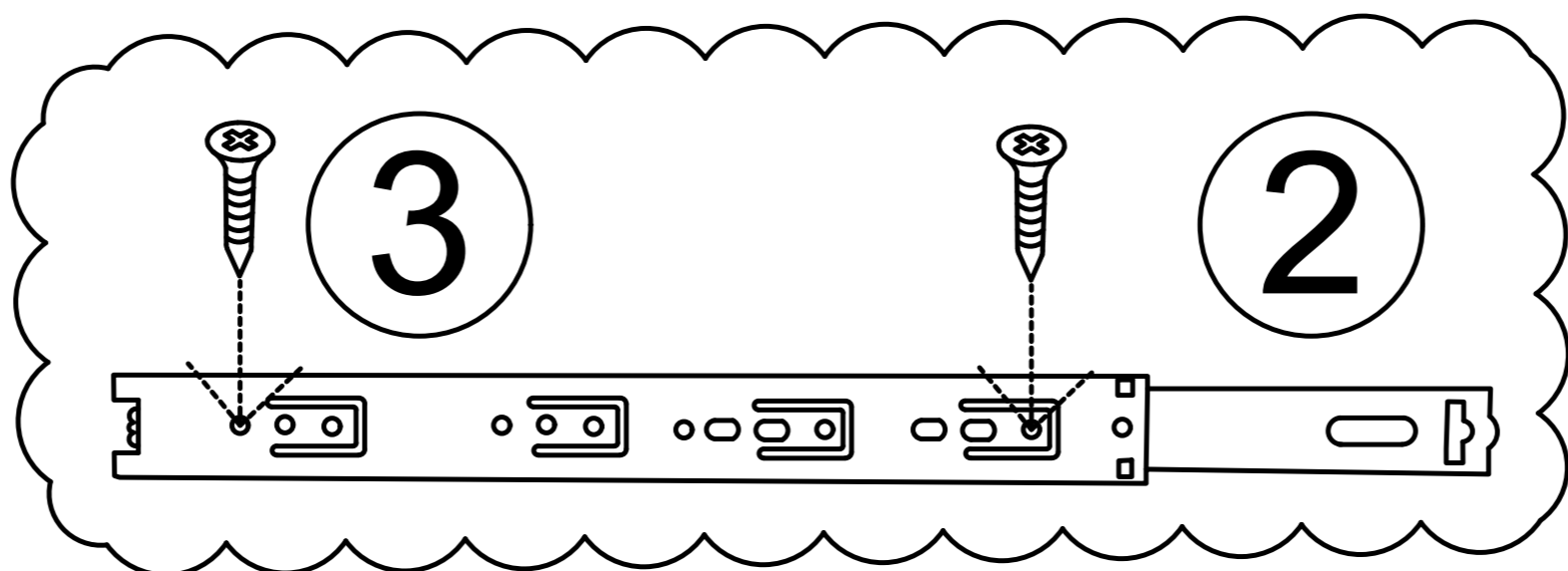
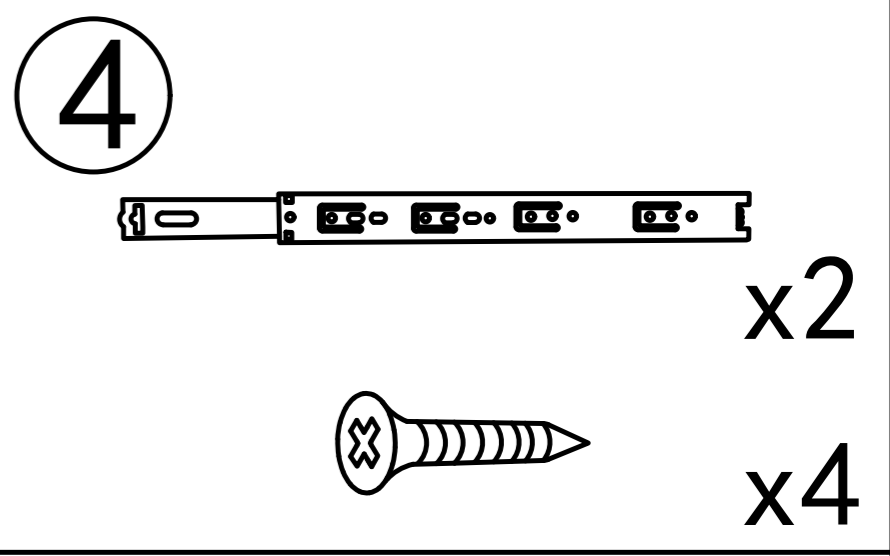
Step 15



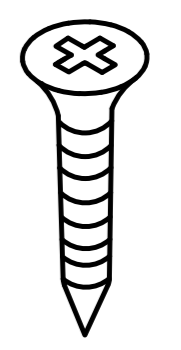
Step 16

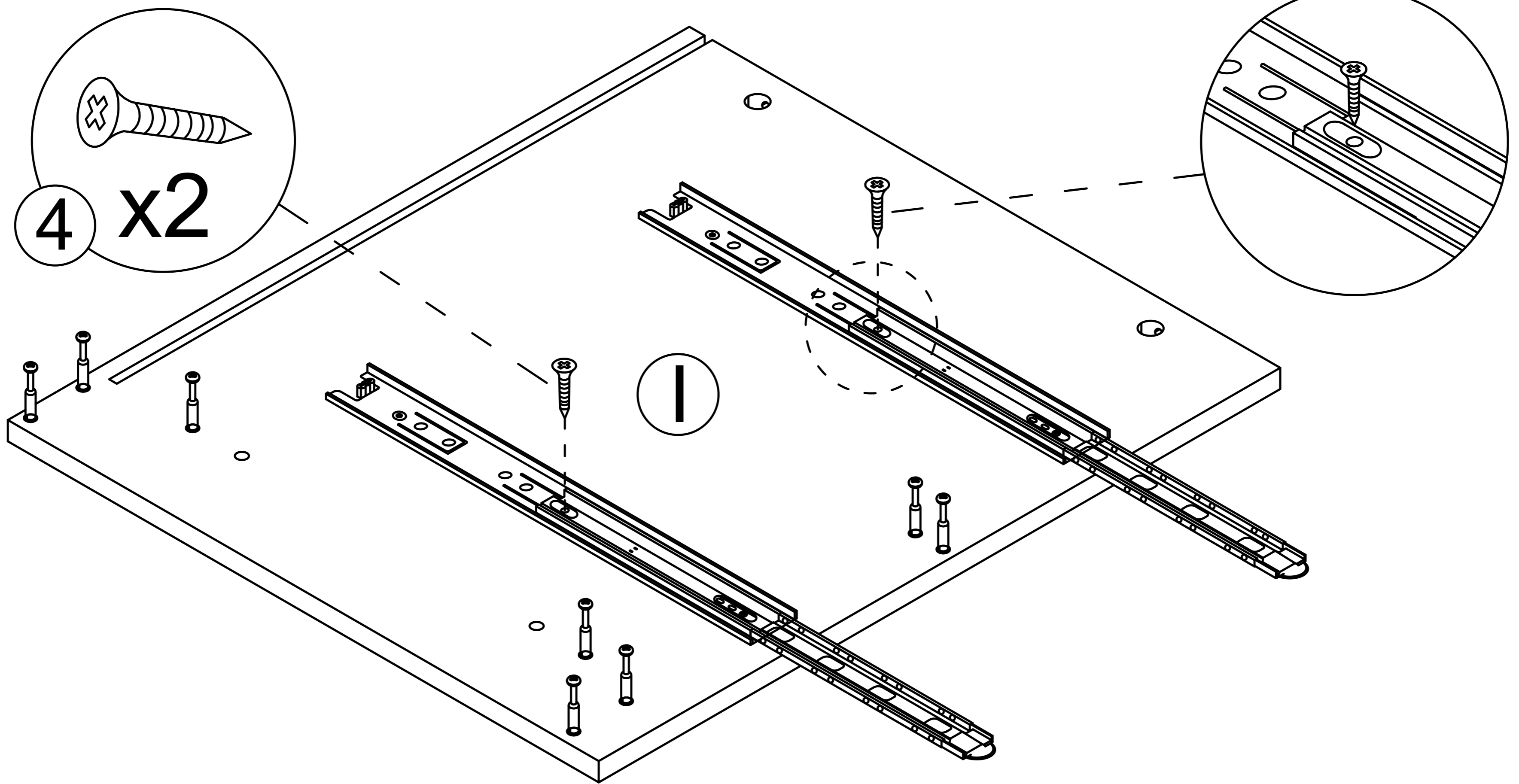


Step 17



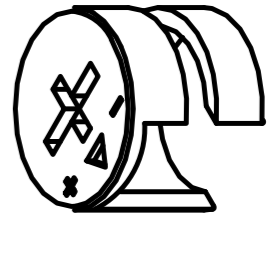
Step 18

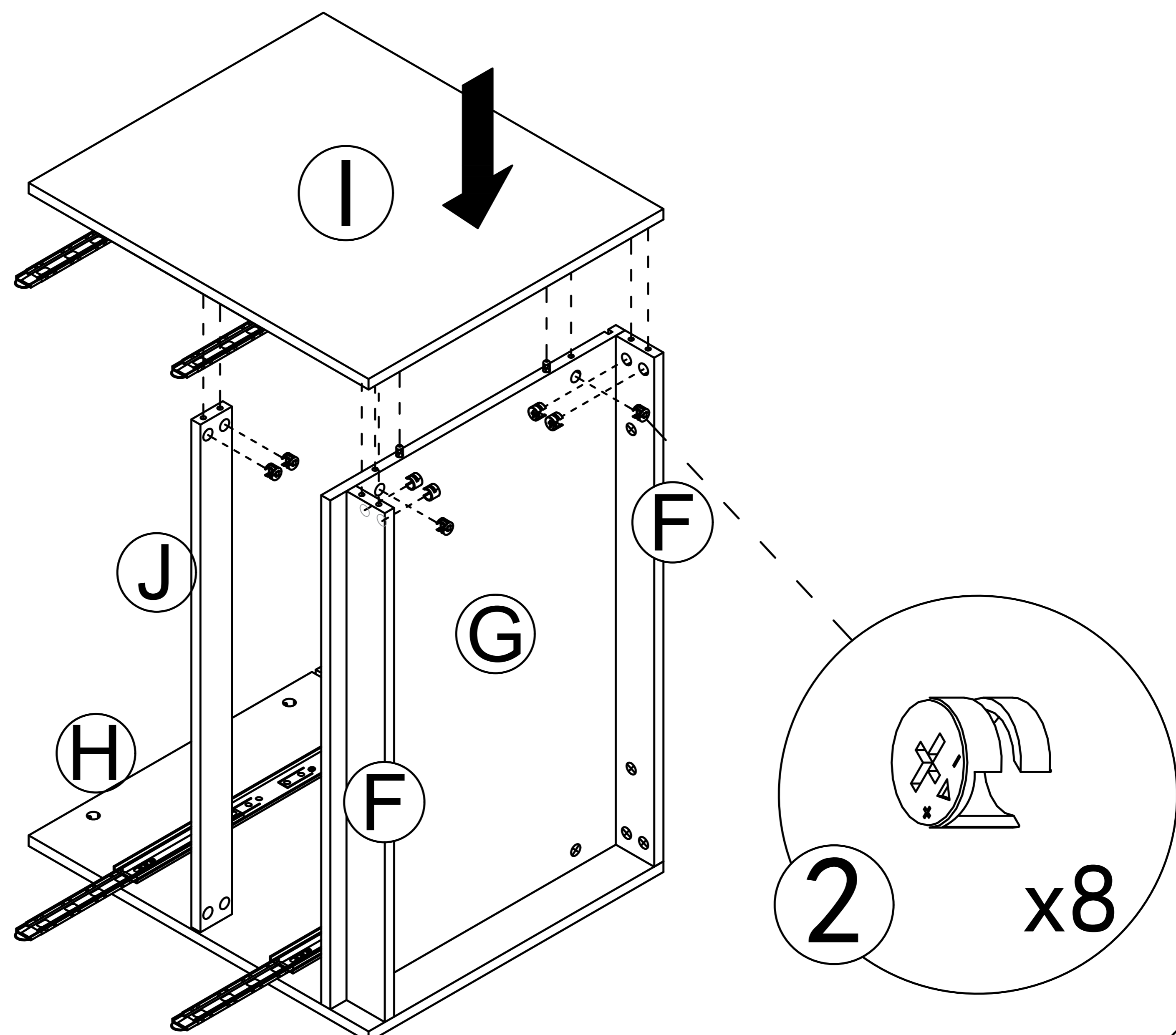
④  x2



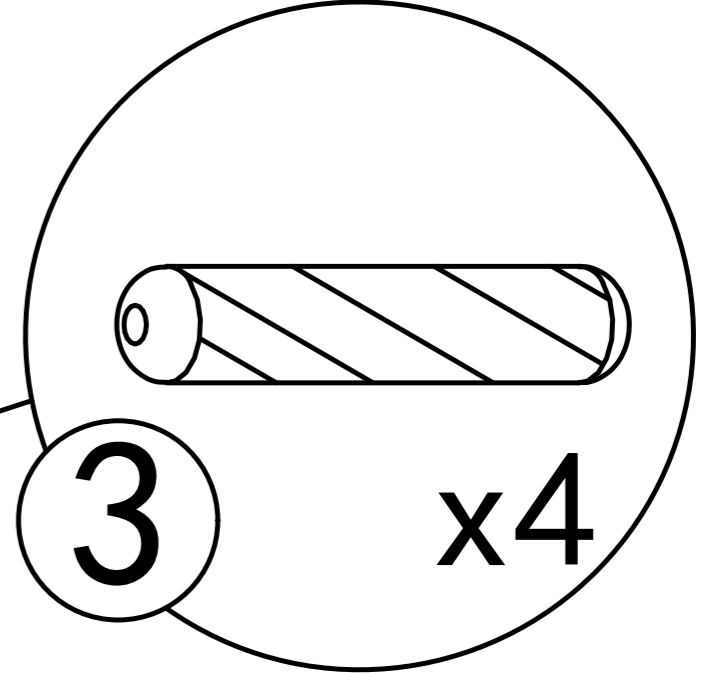
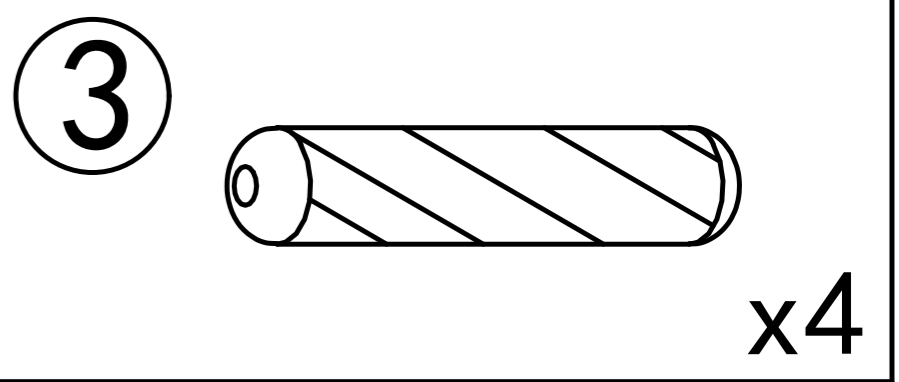
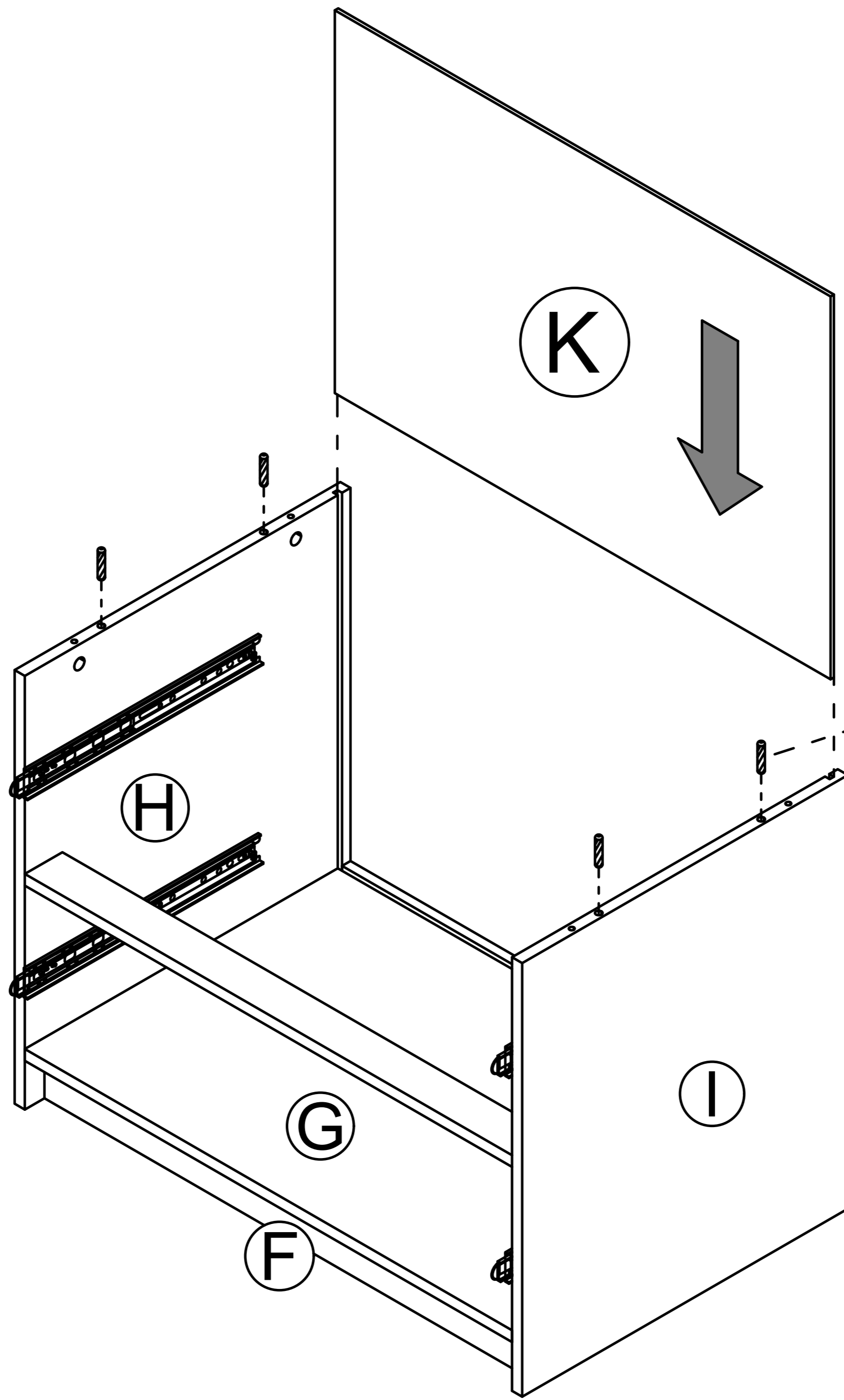
This hole is for strengthening fixed hole customers can choose to install according to their needs.

Step 19

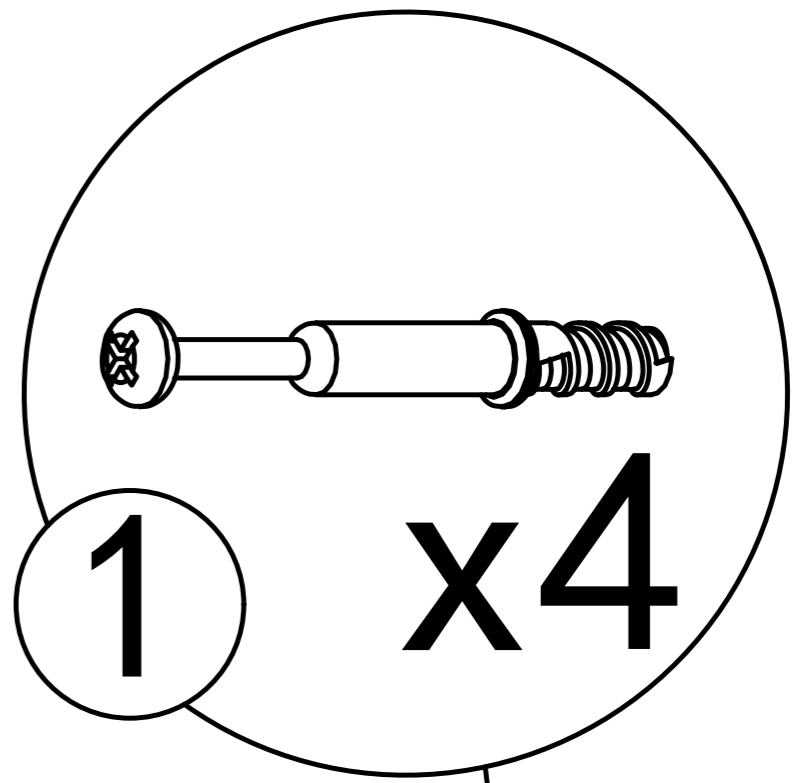
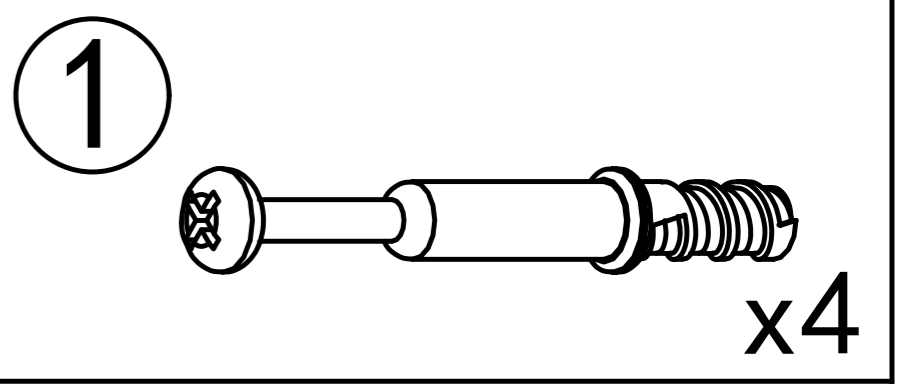
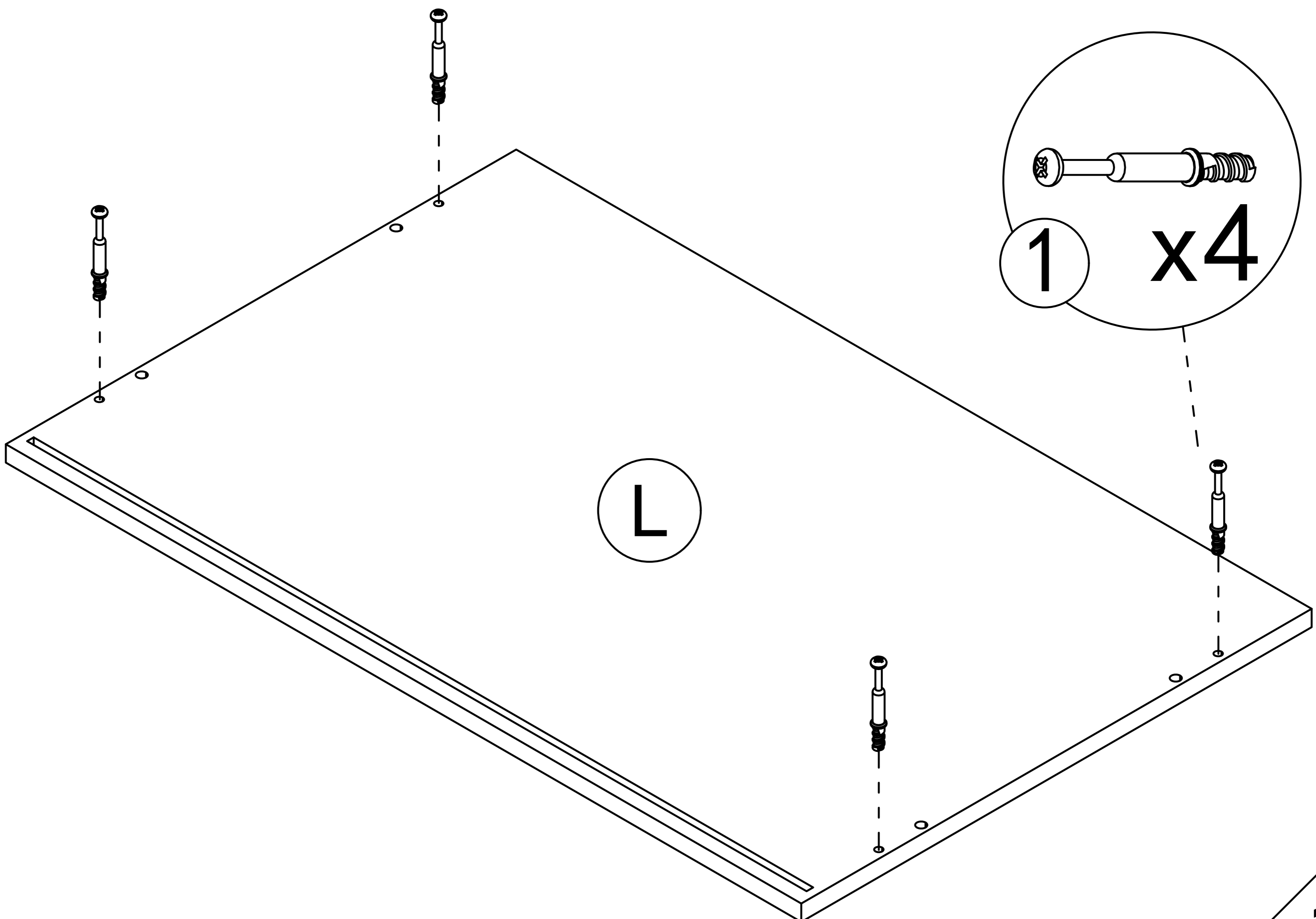
②  x8



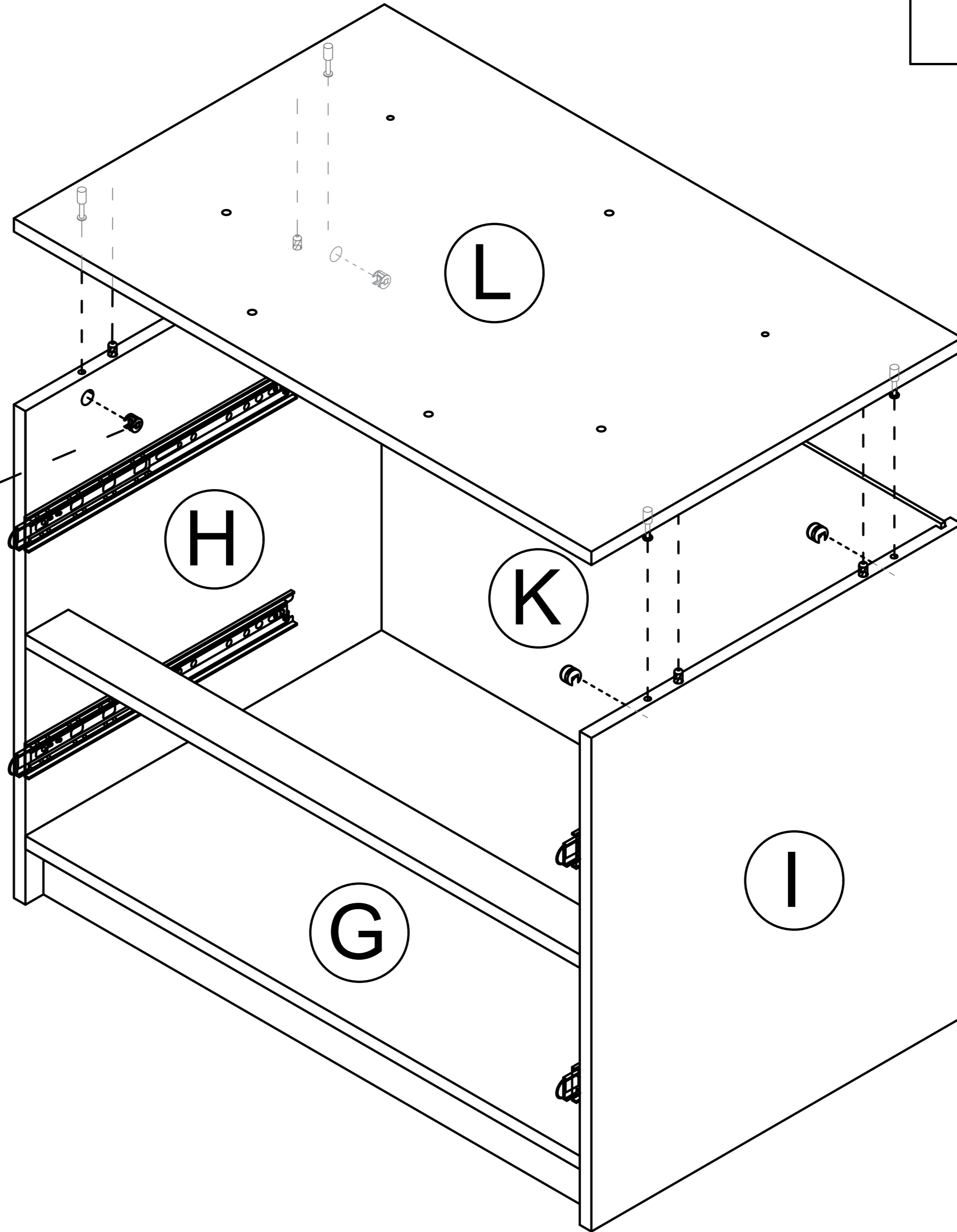
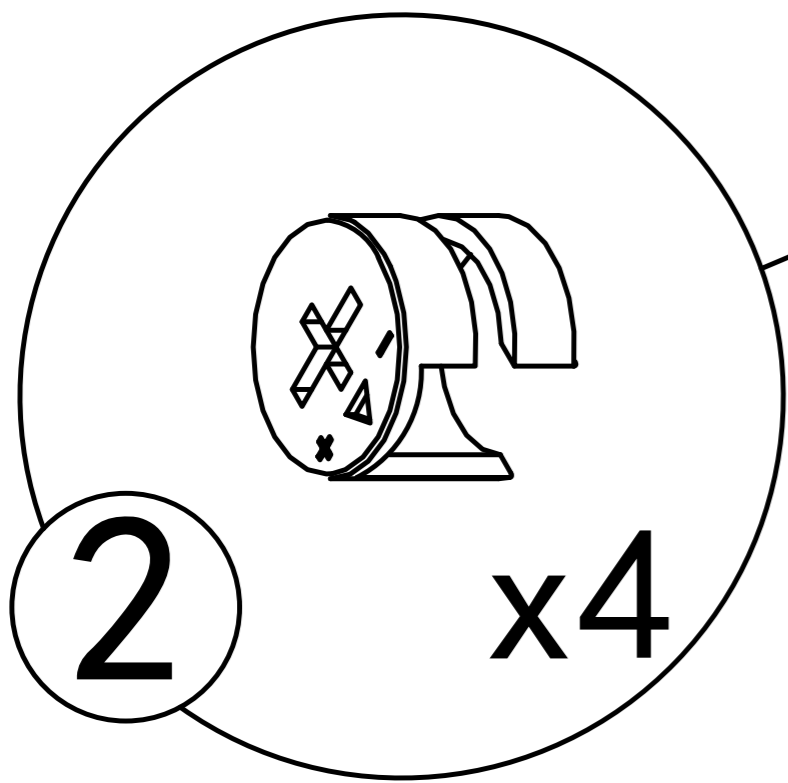
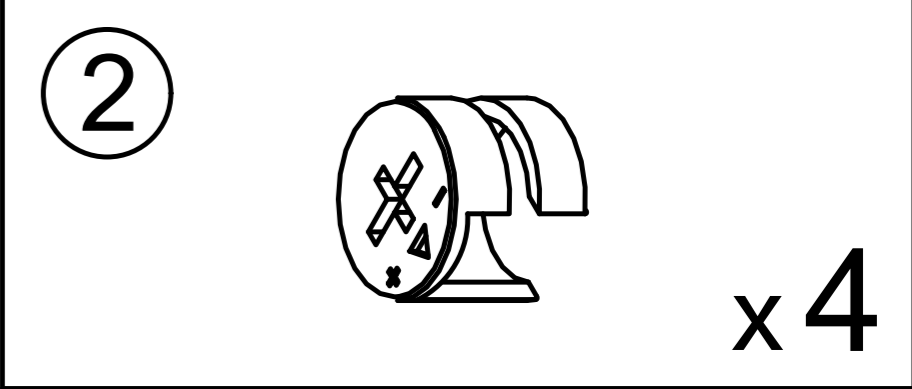
Step 20



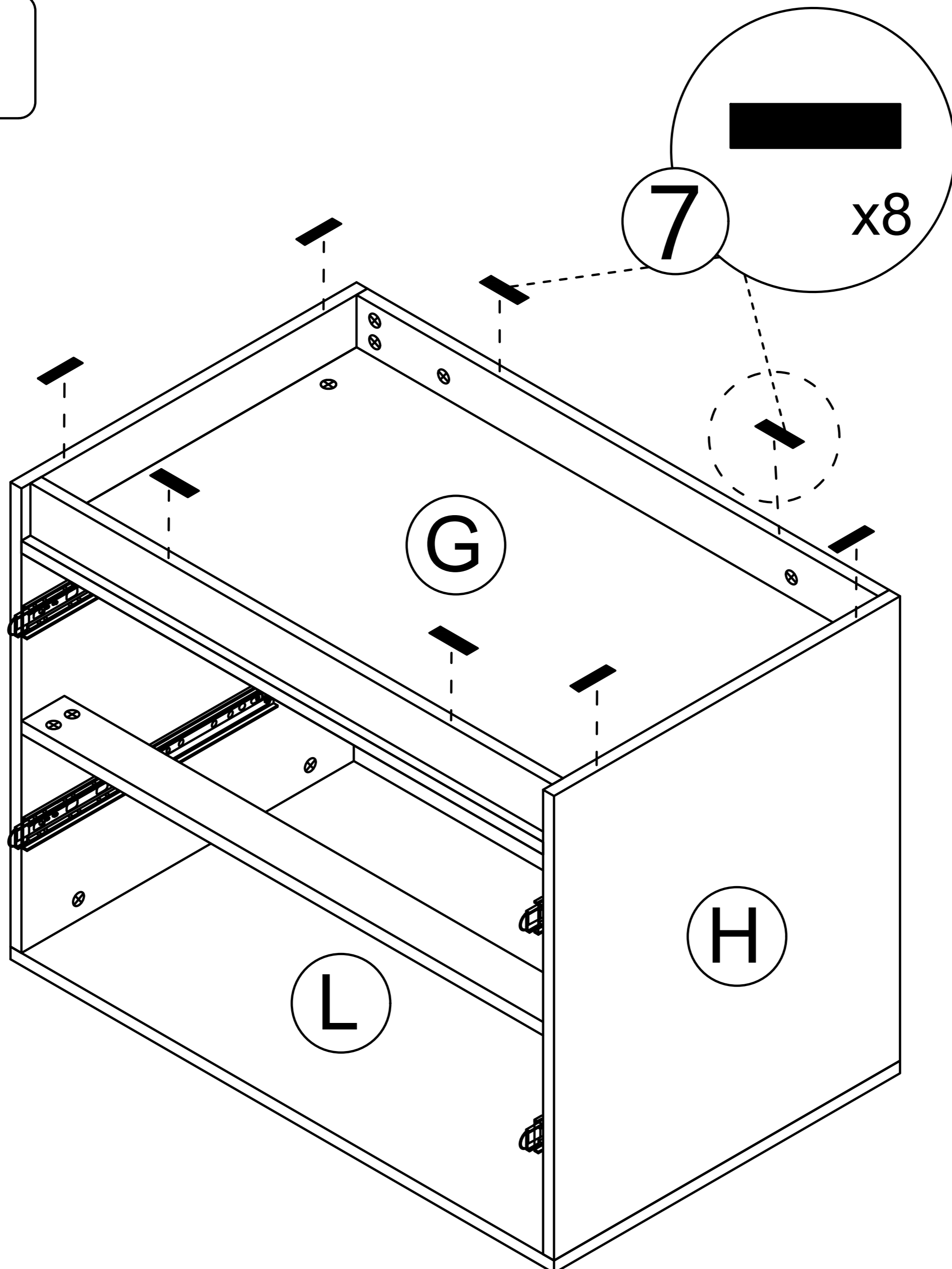
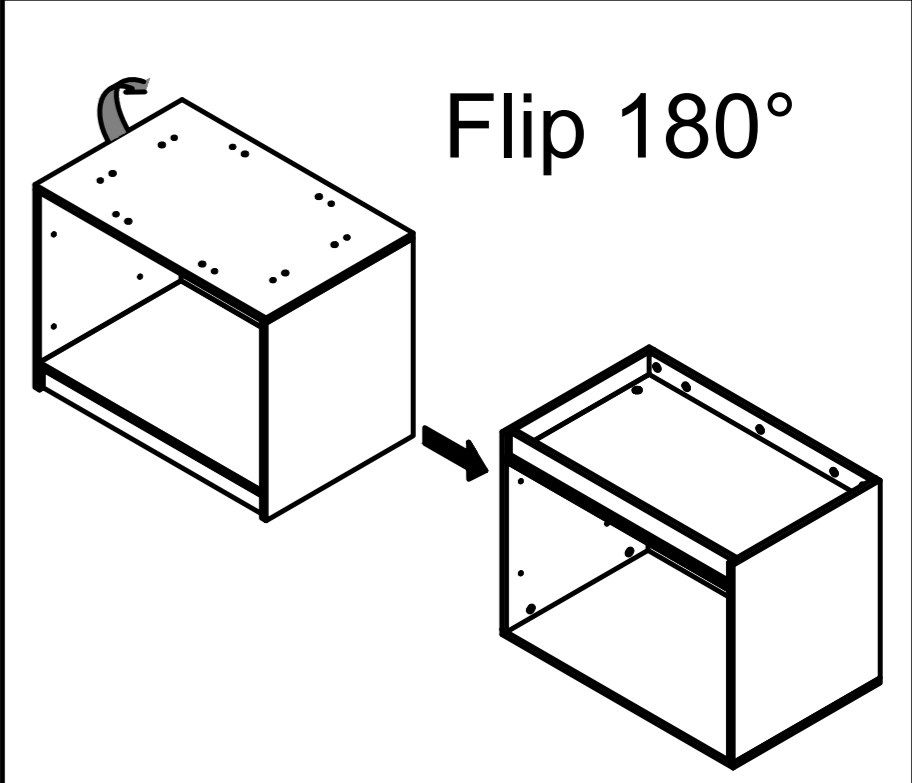
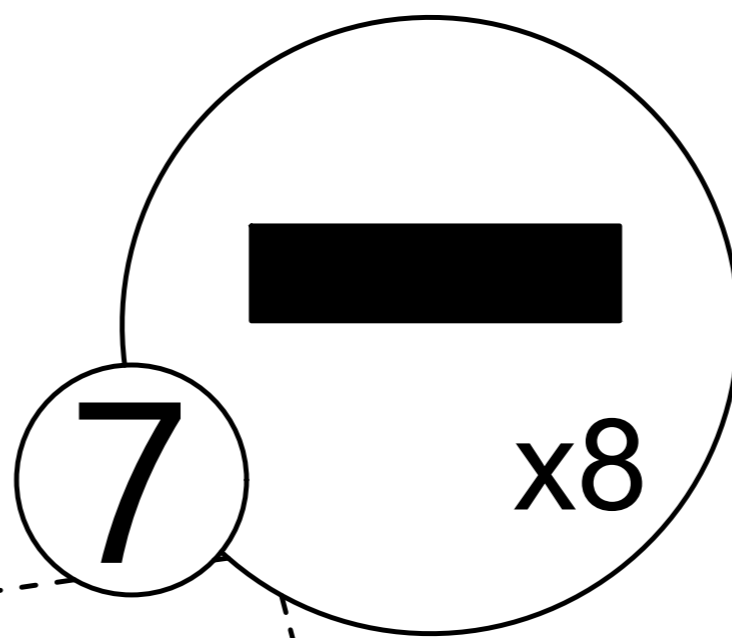
Step 21



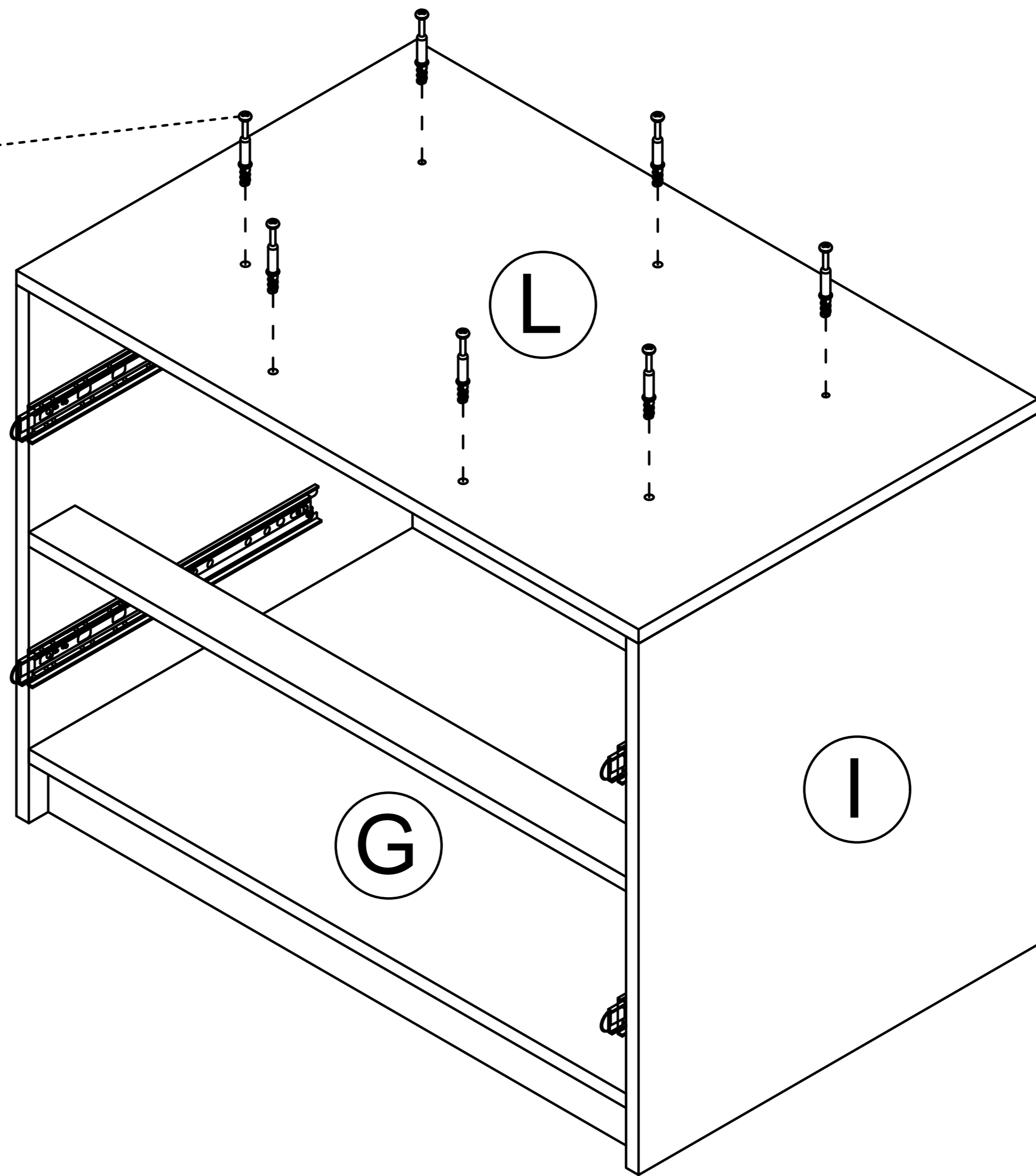
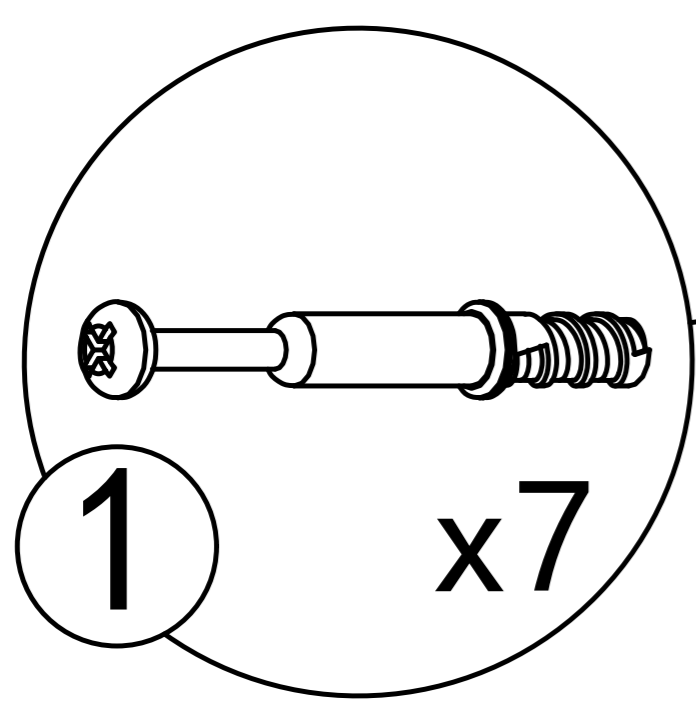
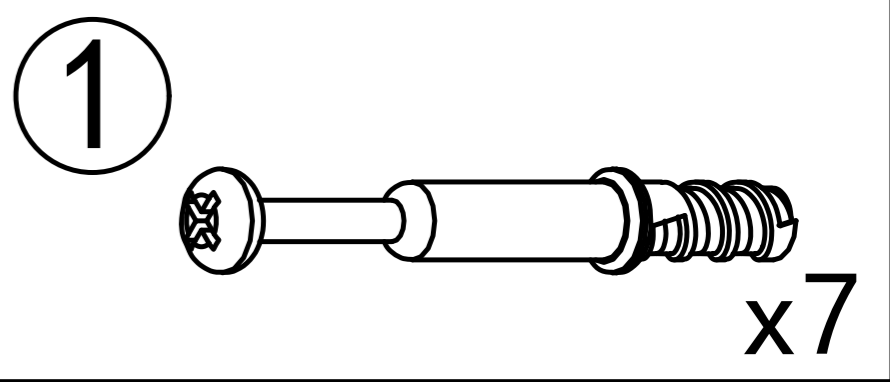
Step 22



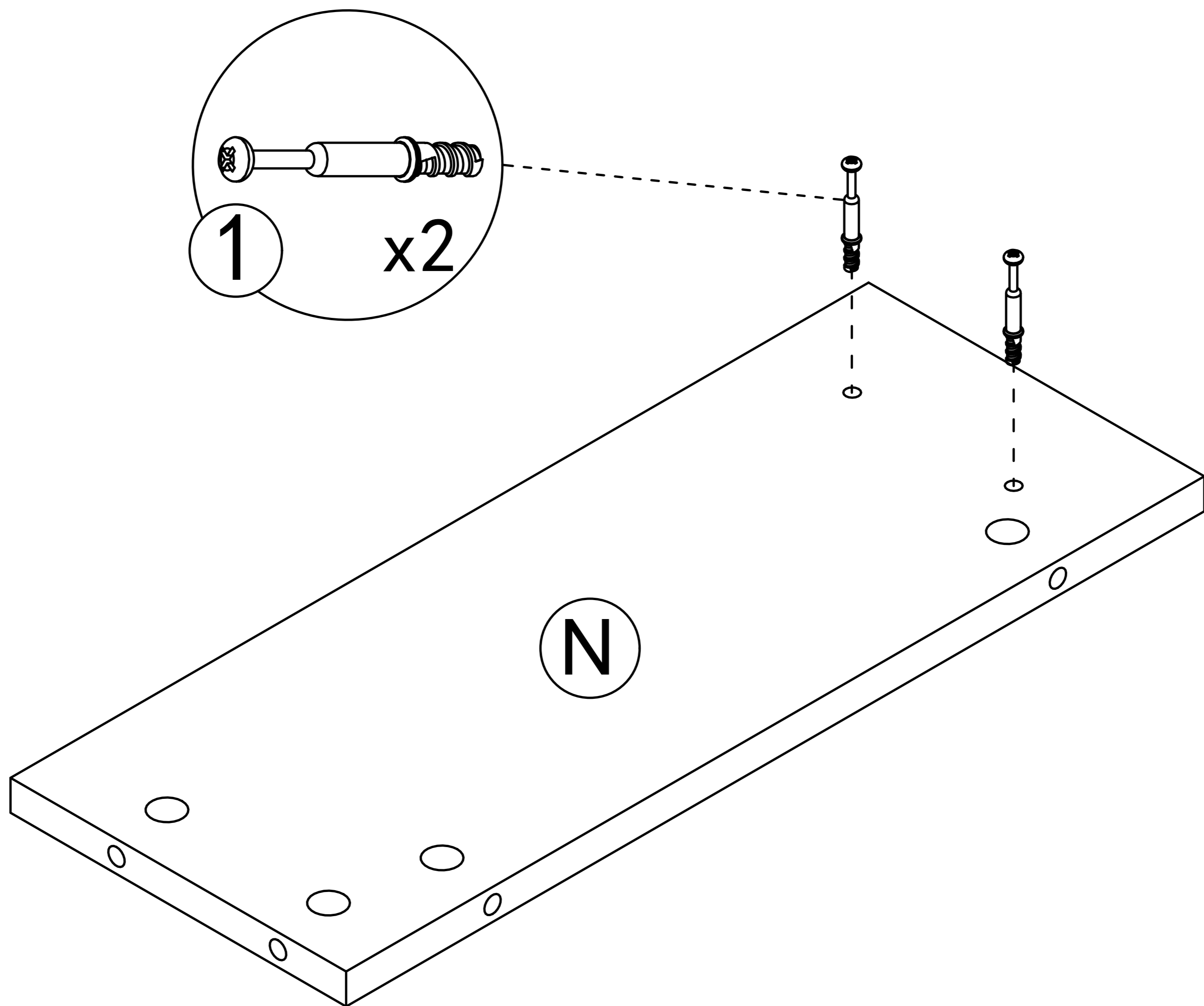
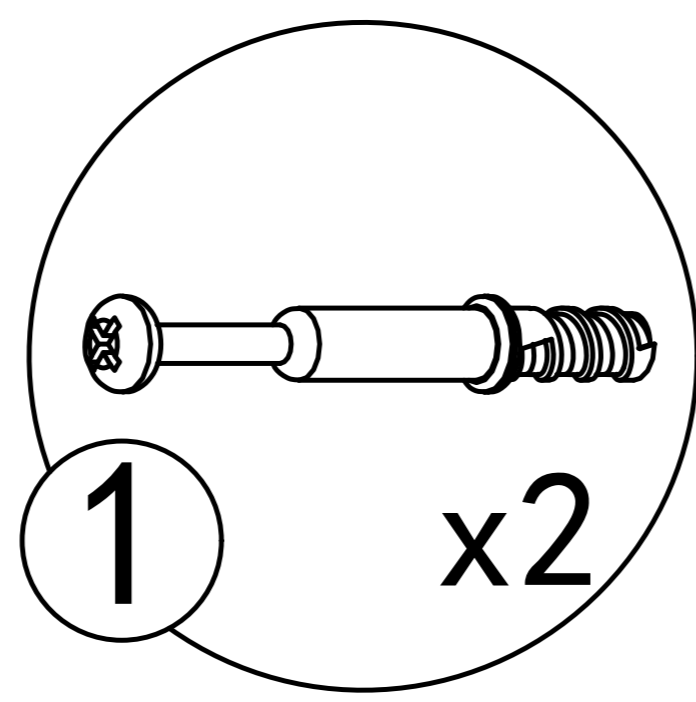
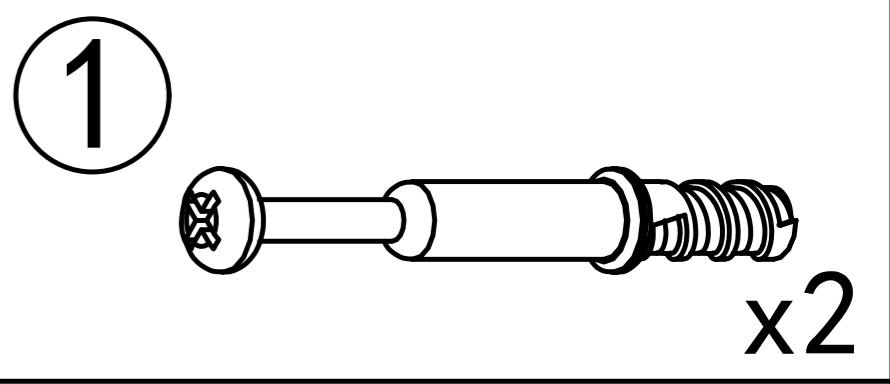
Step 23



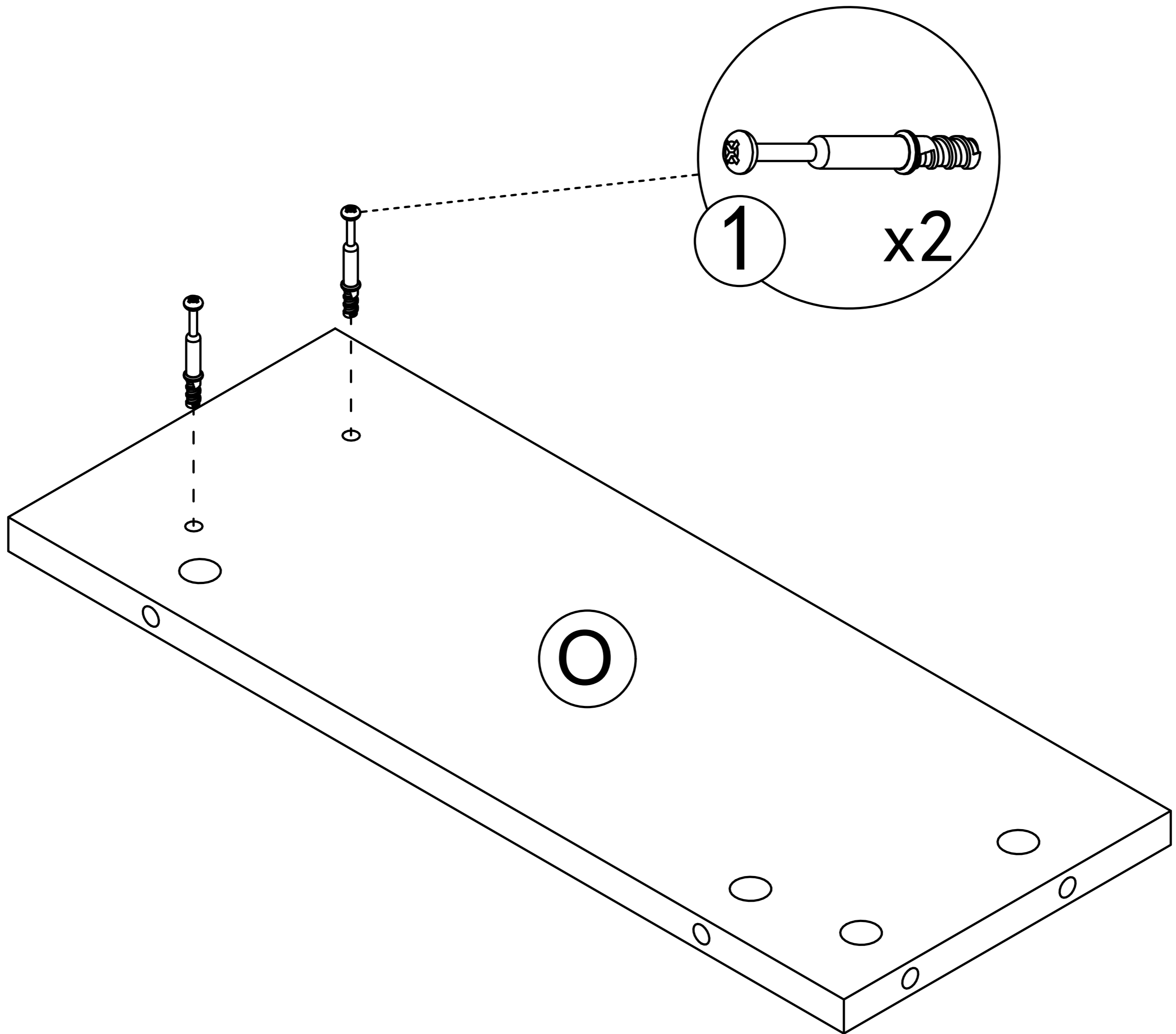
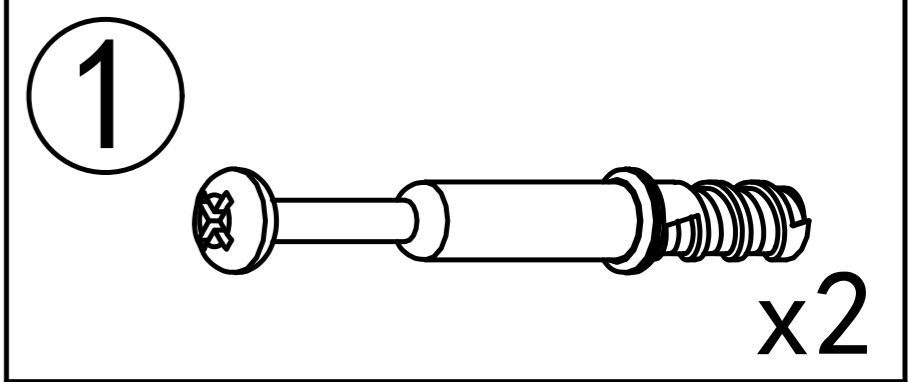
Step 24



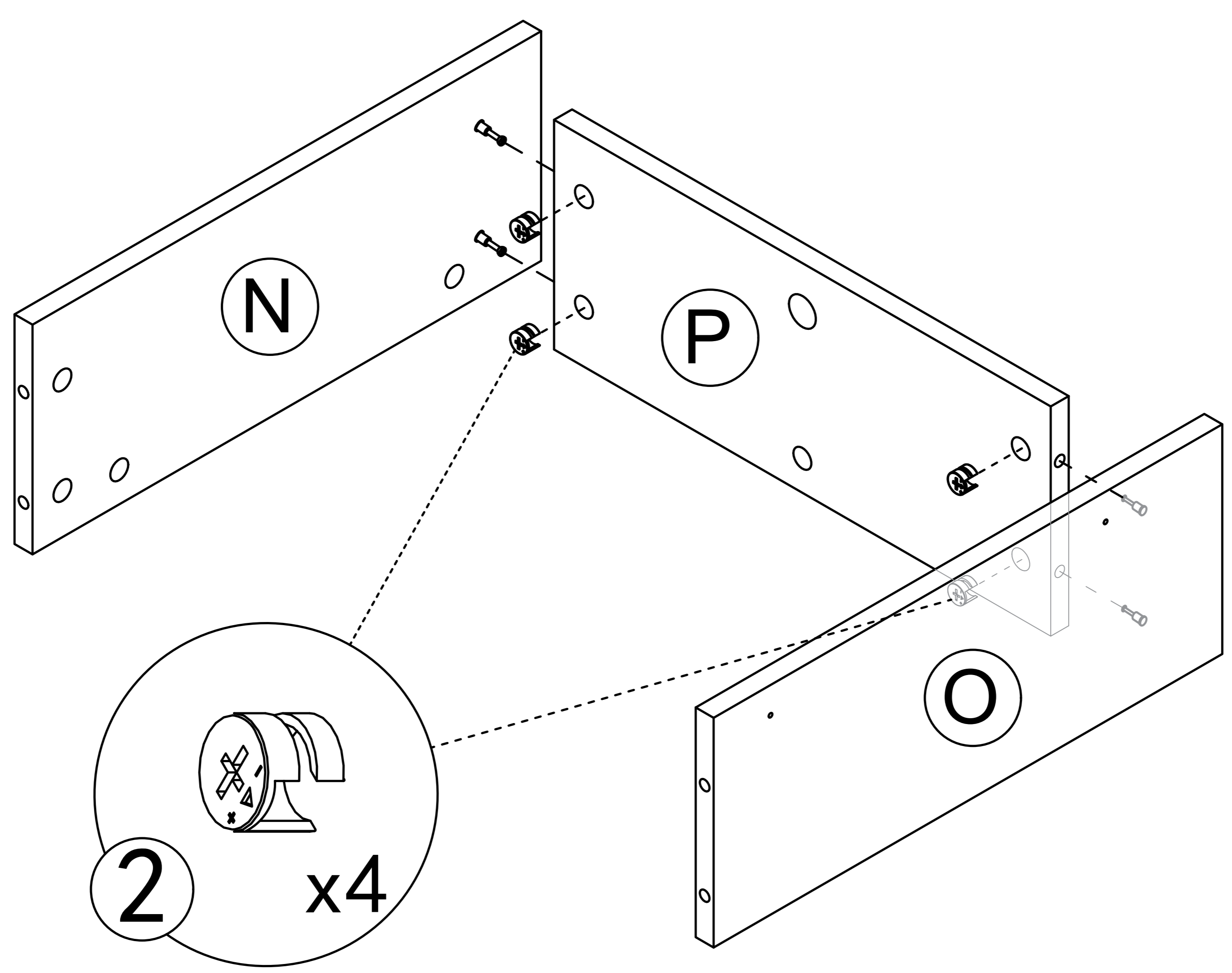
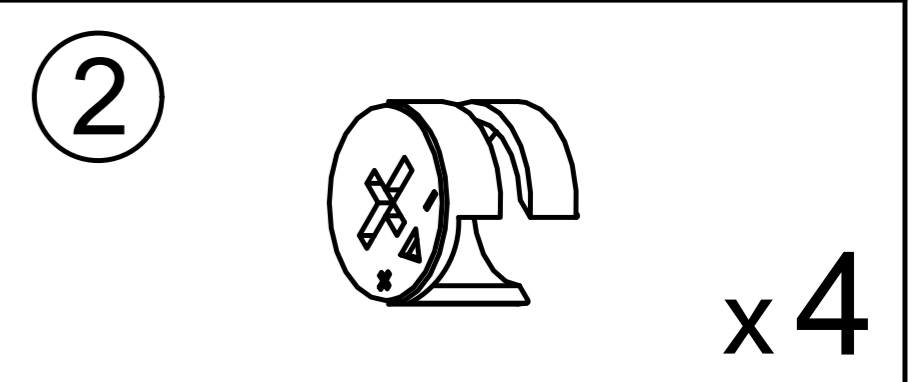
Step 25



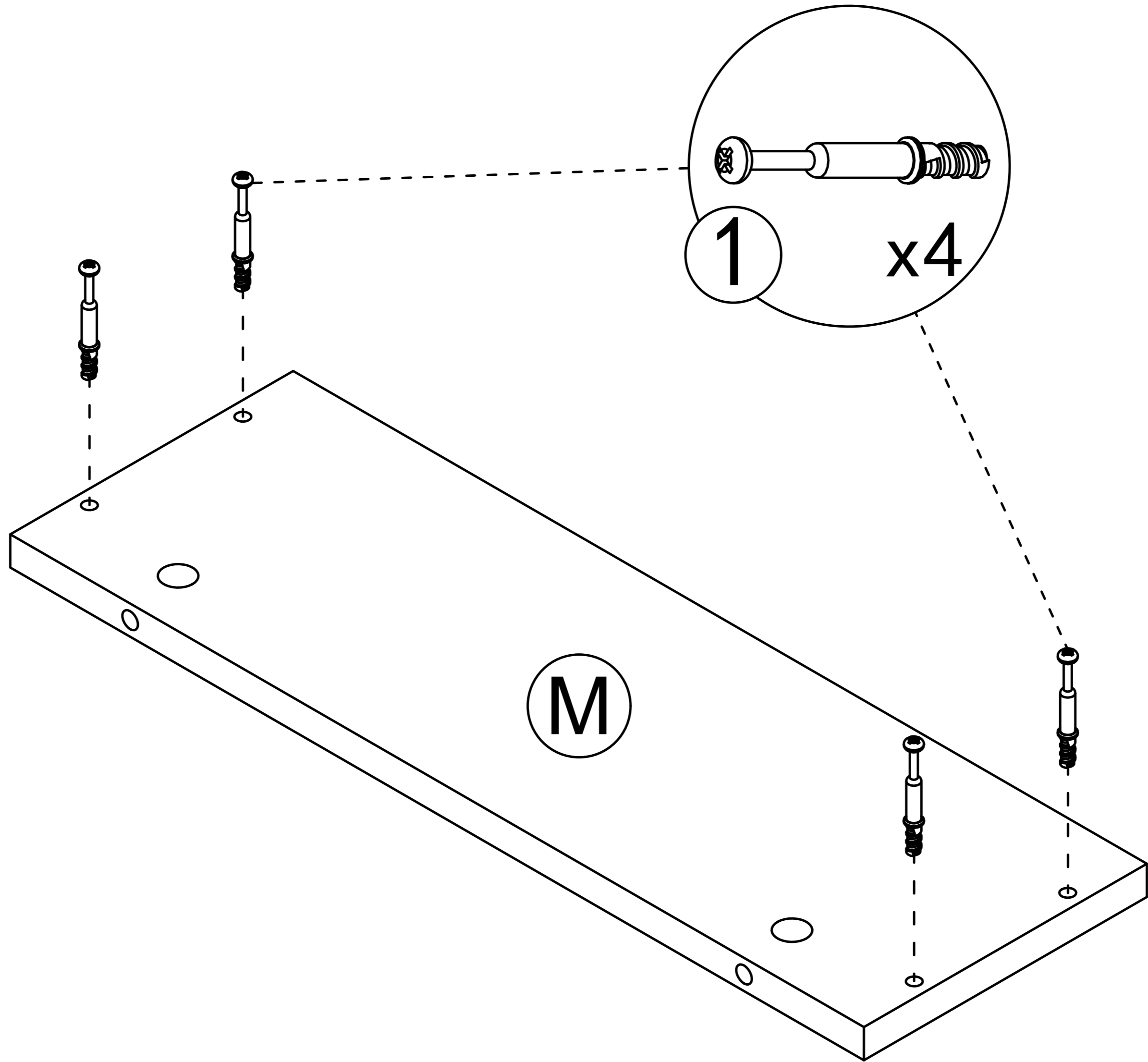
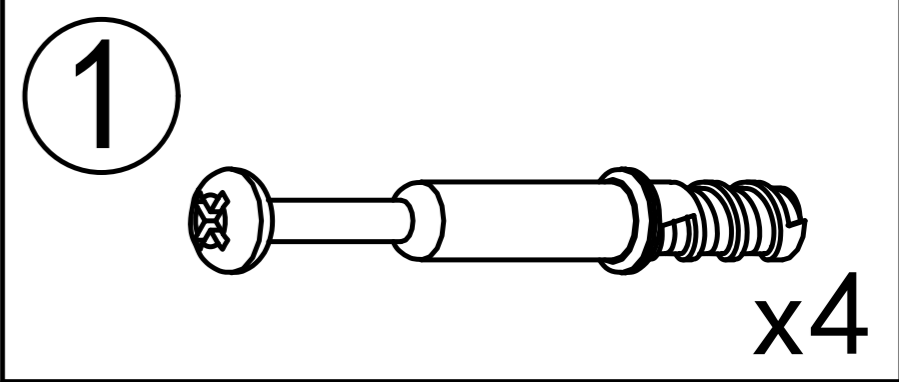
Step 26



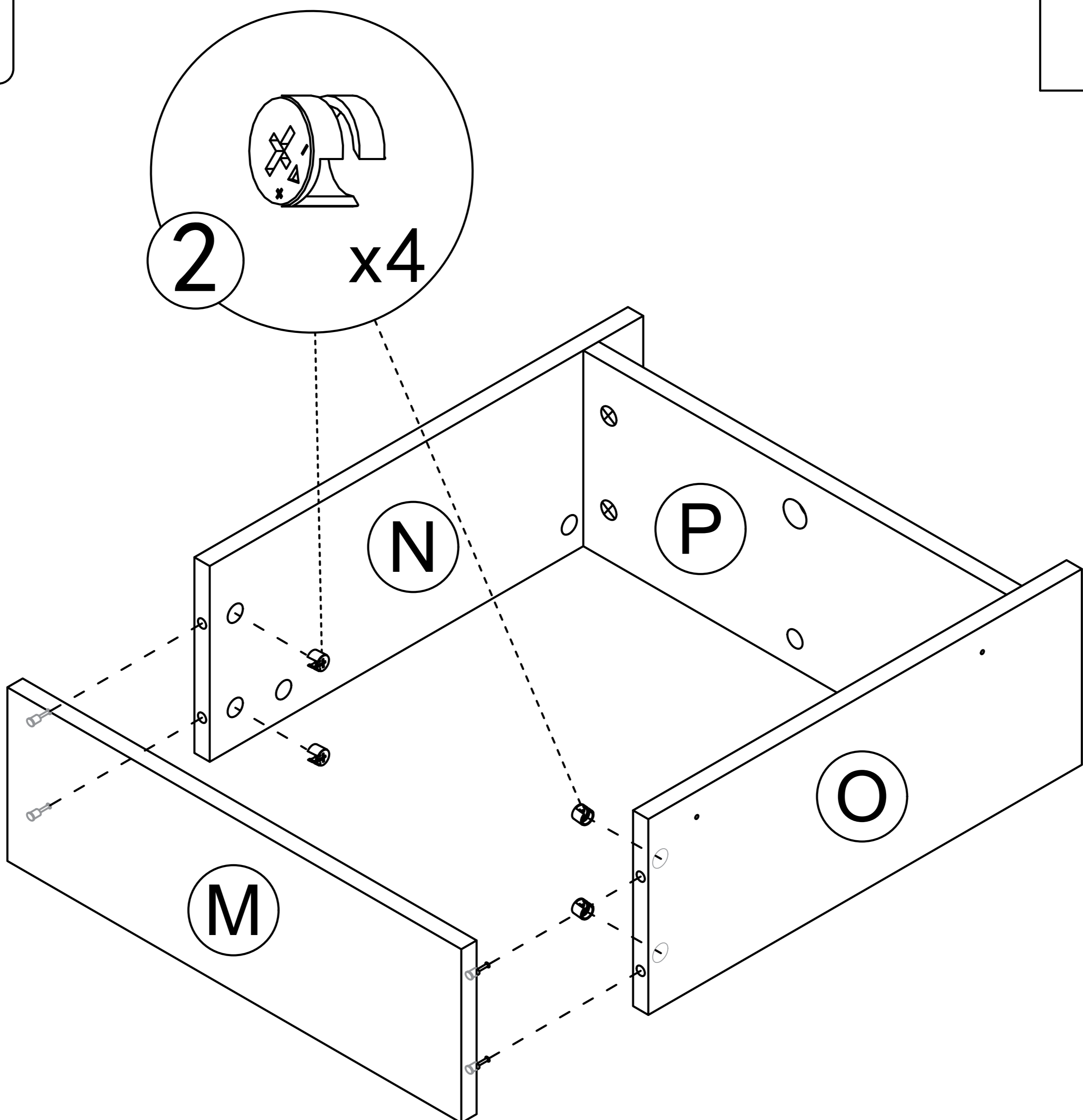
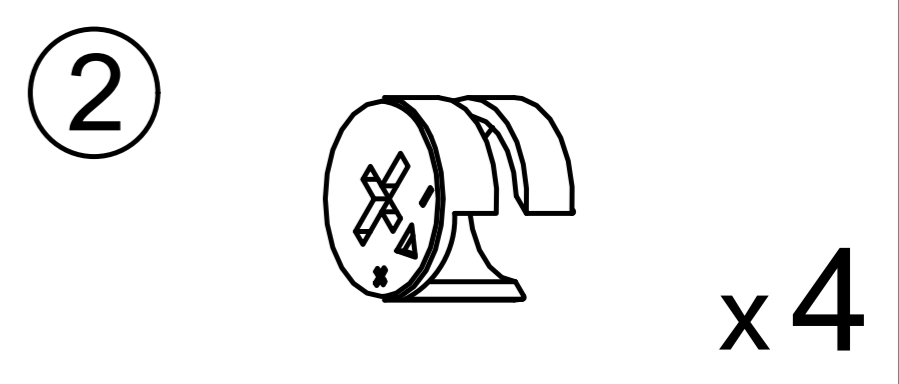
Step 27



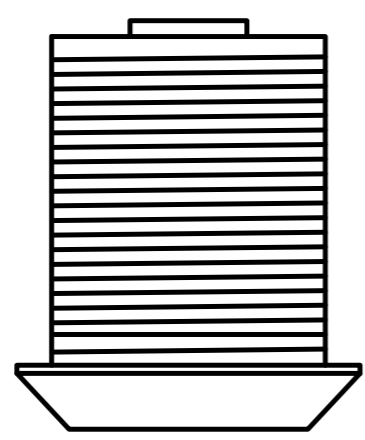
Step 28



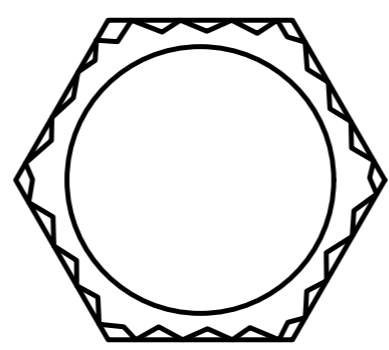
Step 29



The decomposition of the lock



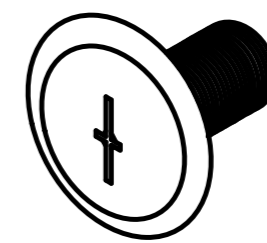
①



②



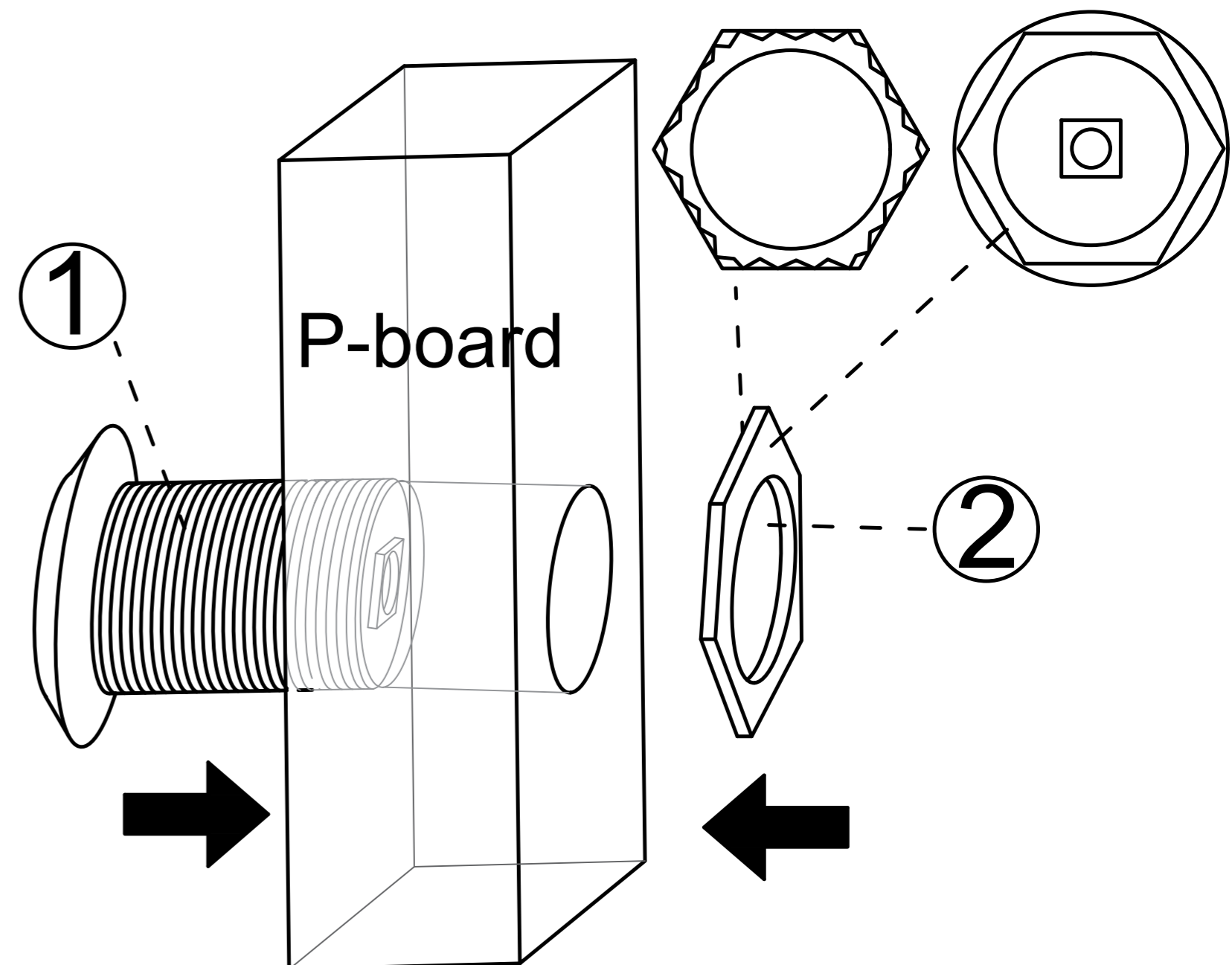
③



④

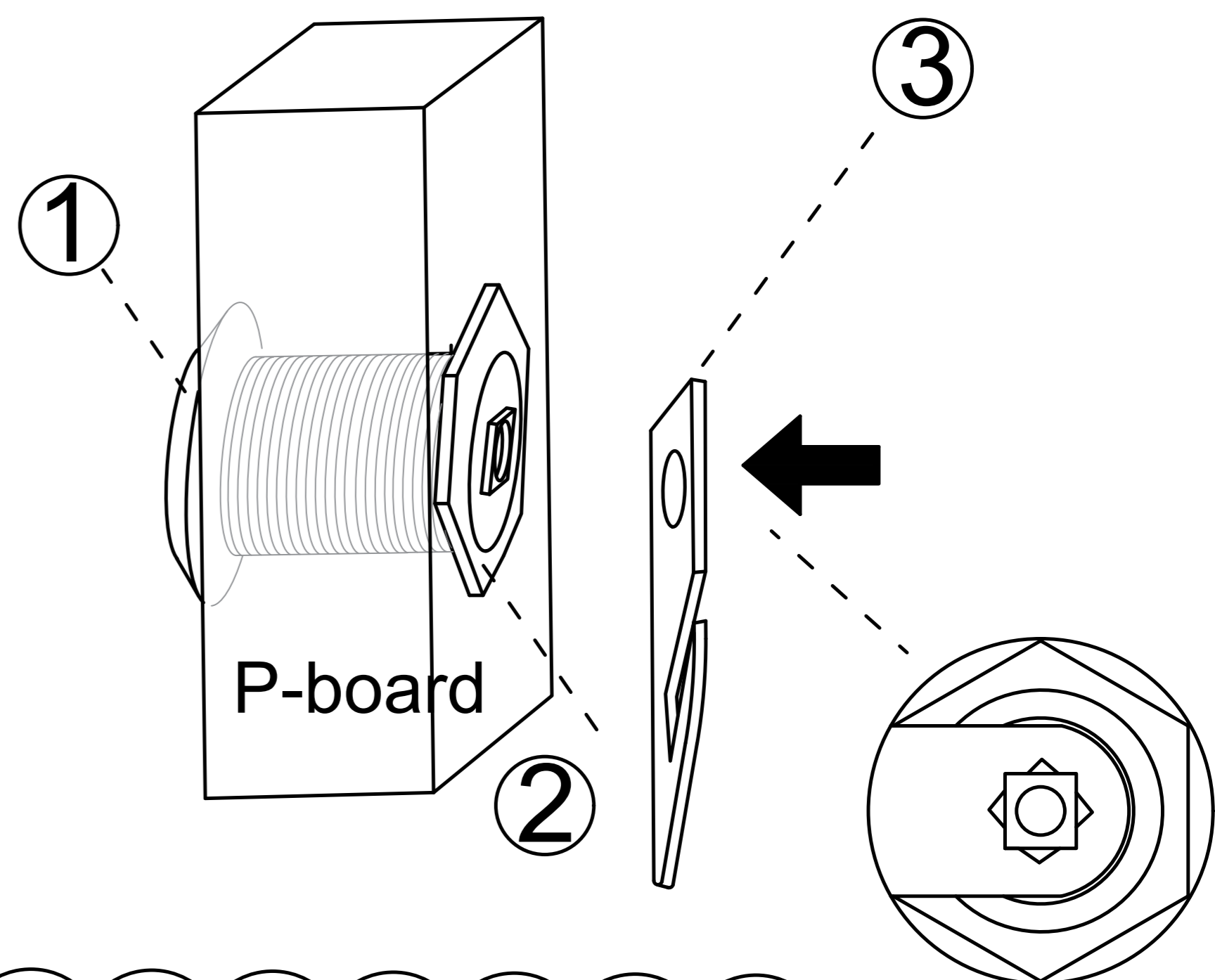
Step 1

1. Facing the direction of the keyhole position with the teeth, clamp the wooden board tightly
2. Insert part 1 into the hole of the P plate first, and then lock the hex nut

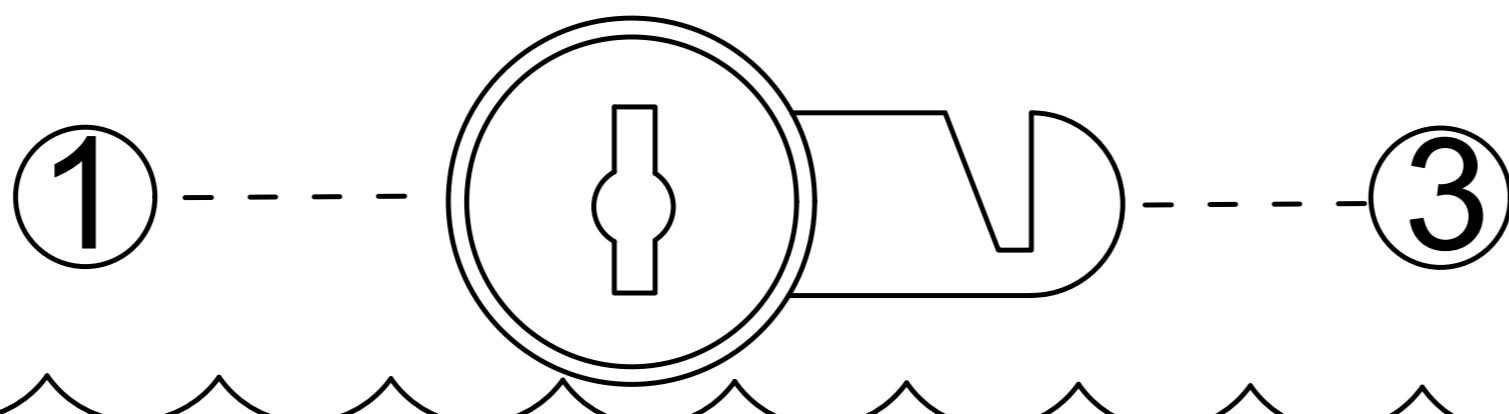


Step 2

1. Clip part 3 into the tail of part 1

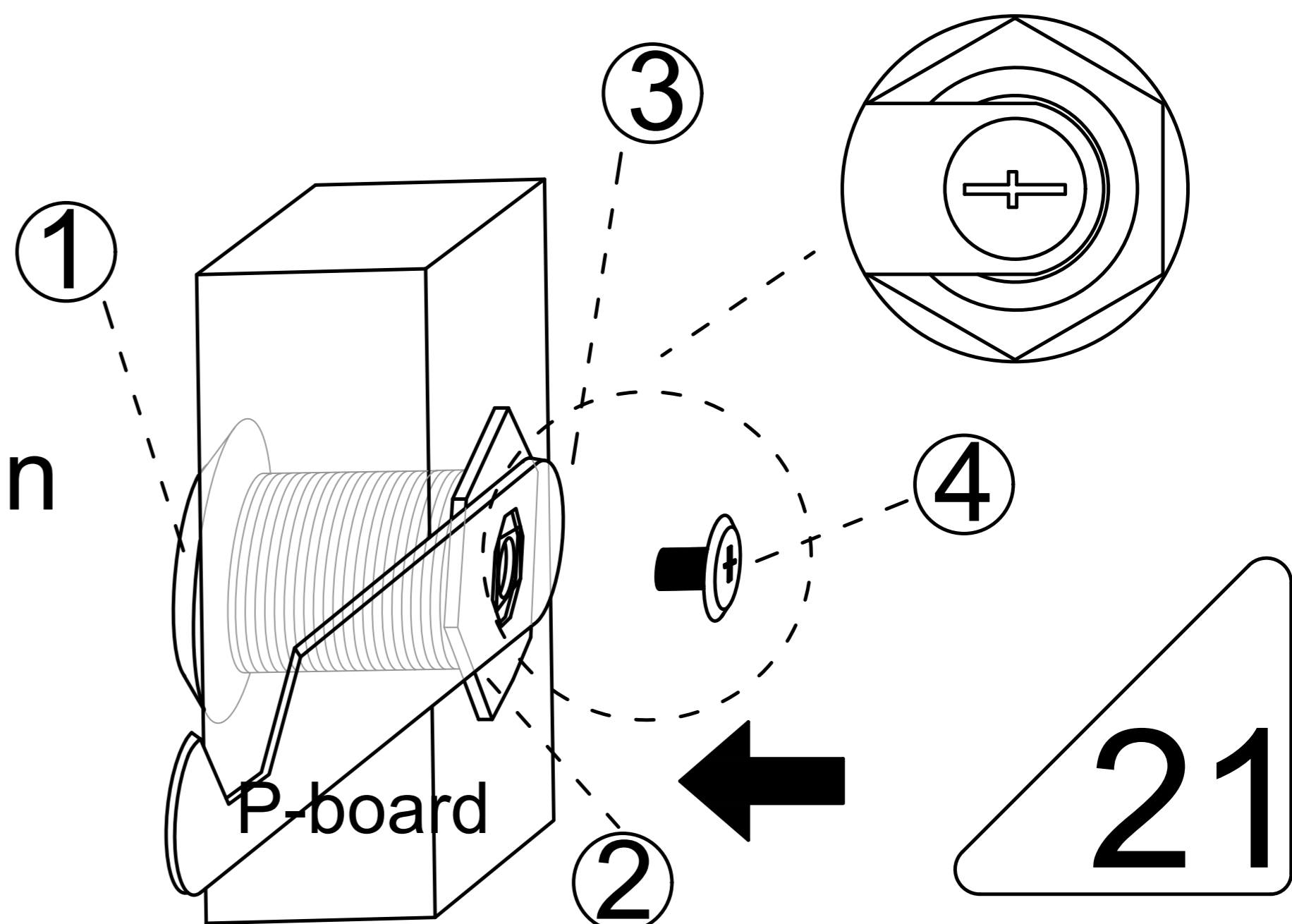


The installation is completed as shown in the figure

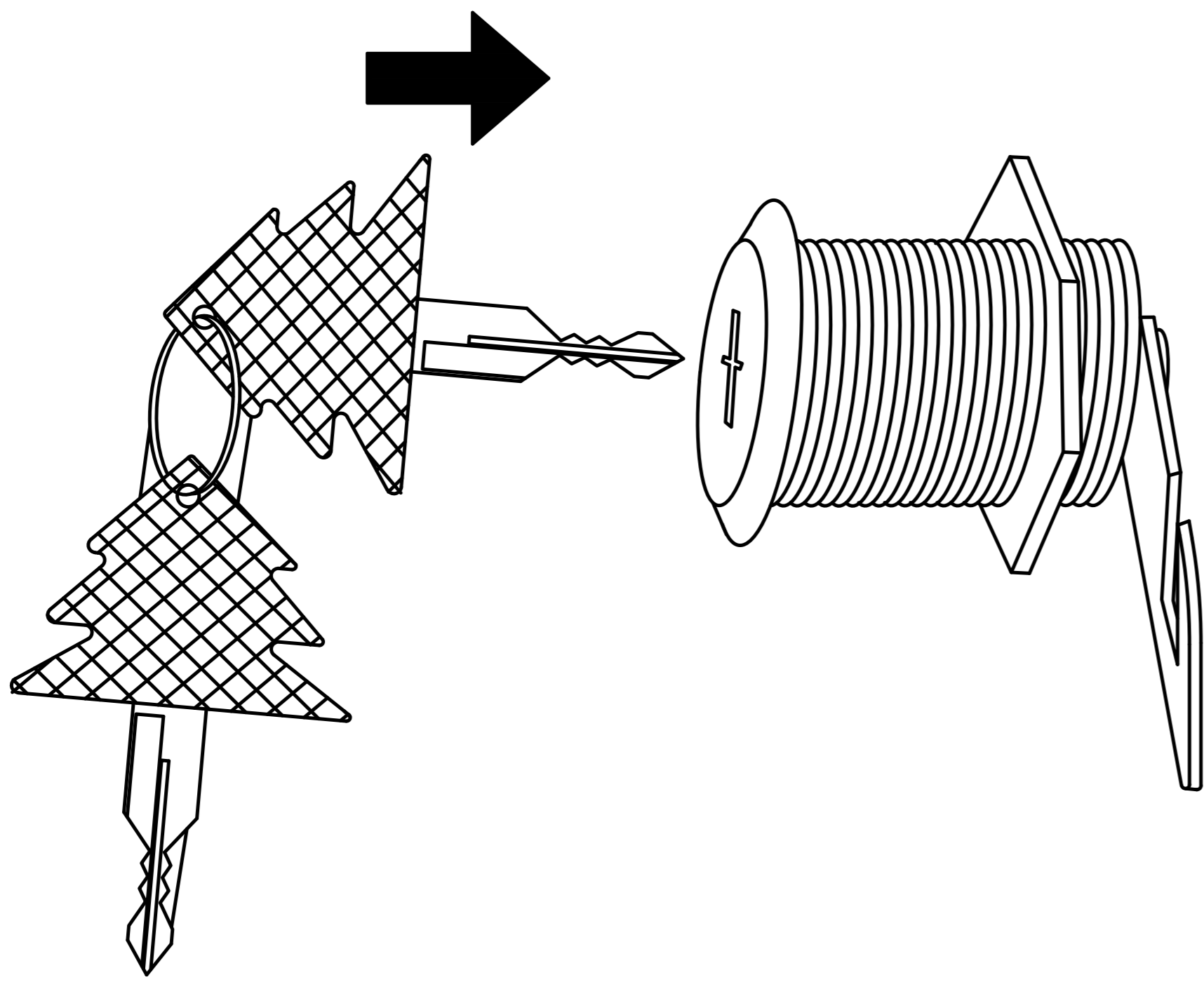


Step 3

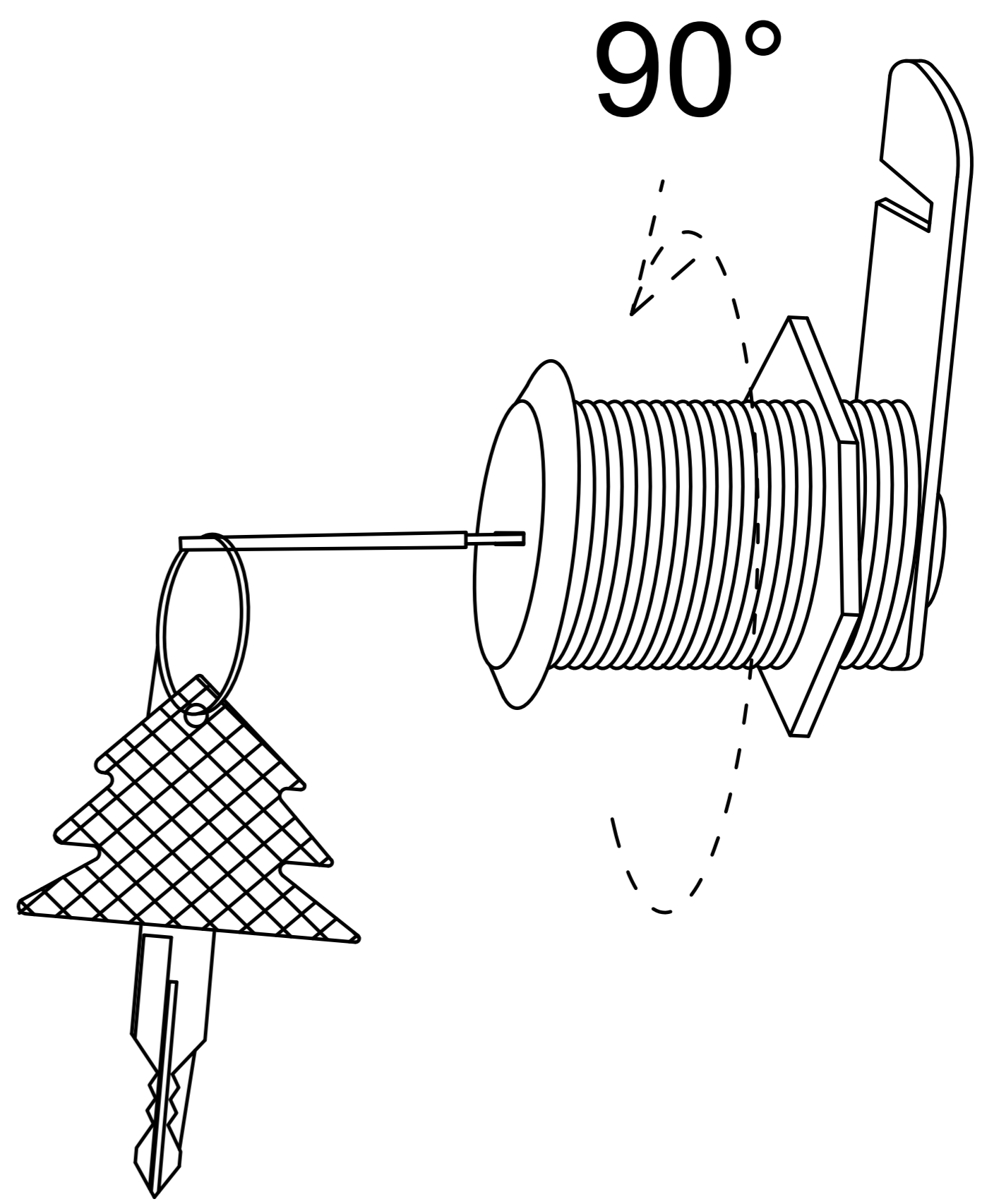
1. Twist screw 4 into the hole position at the tail of 1



Unlock steps



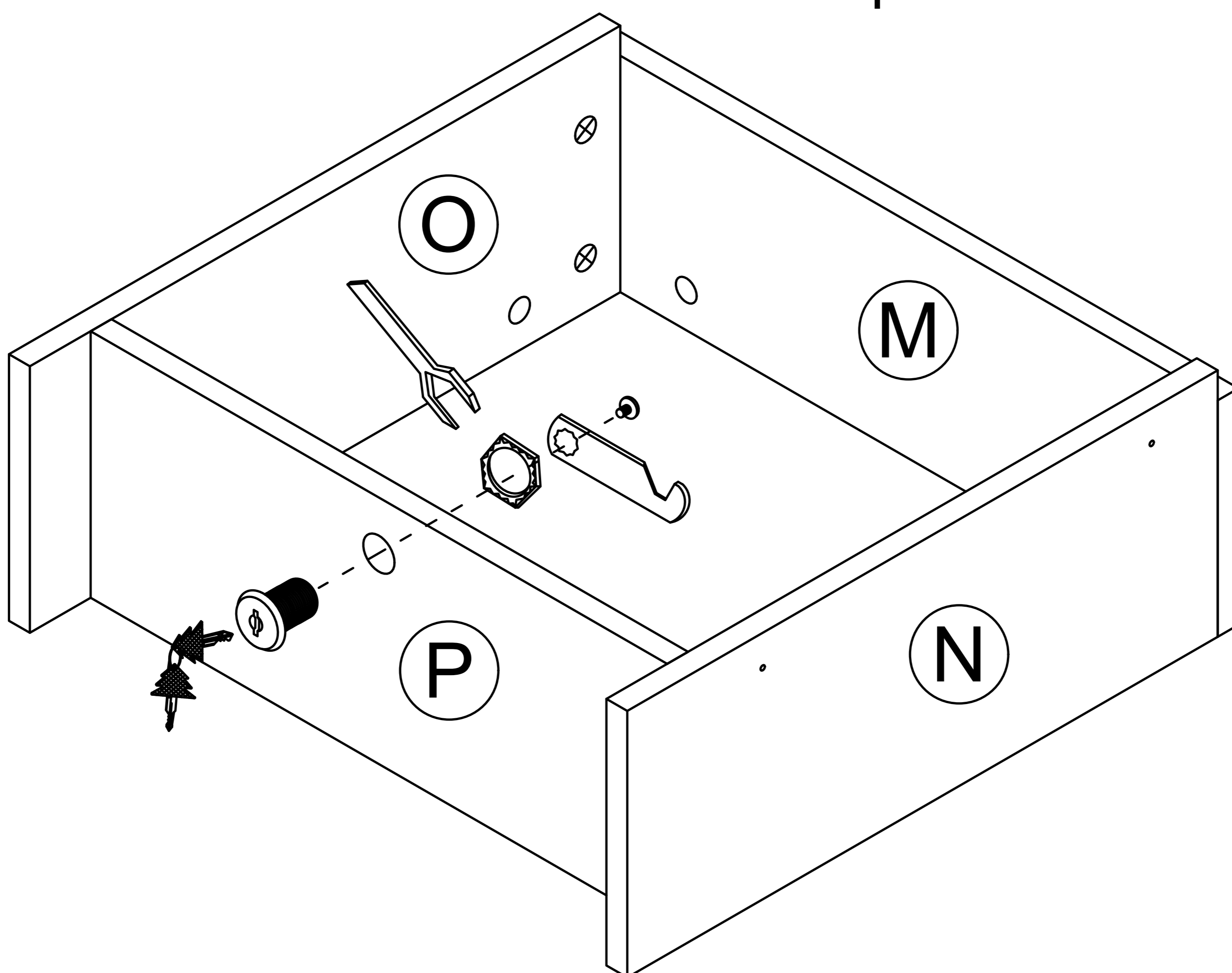
Unlock

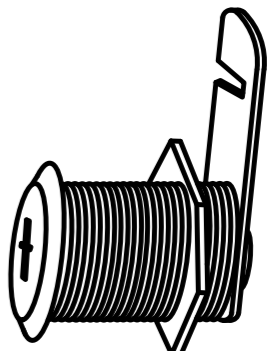
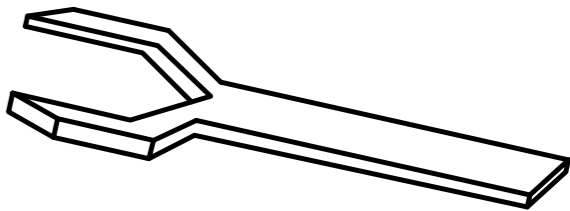
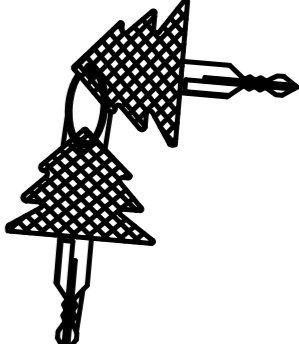


lock

Step 30

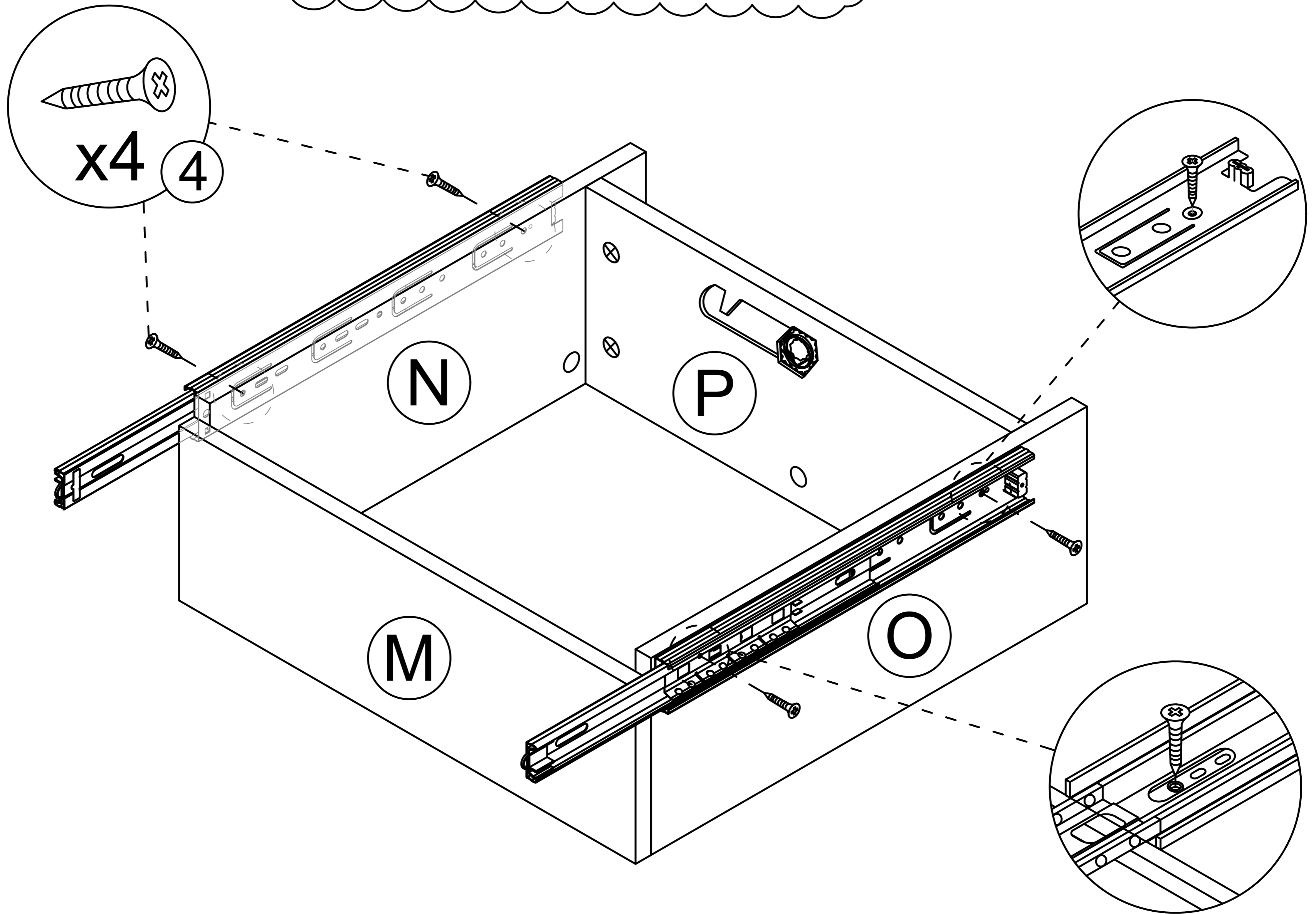
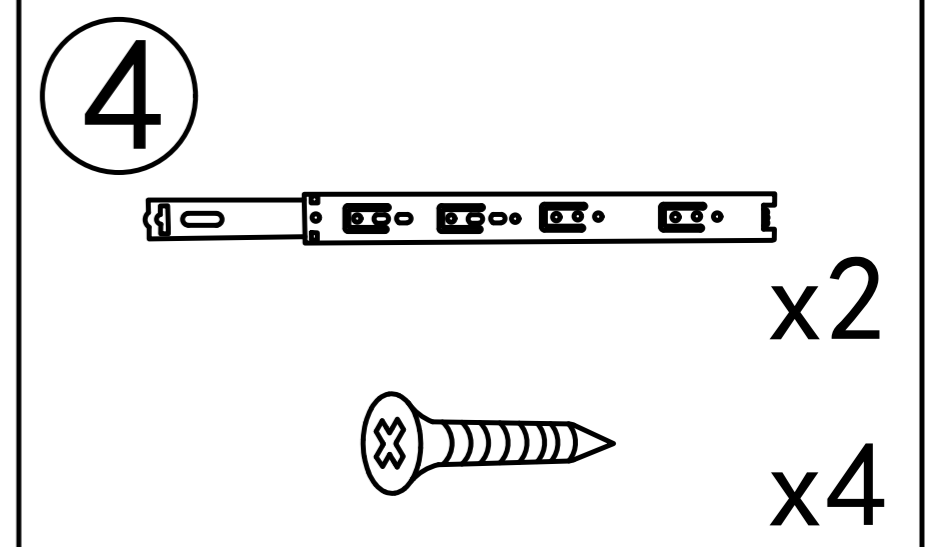
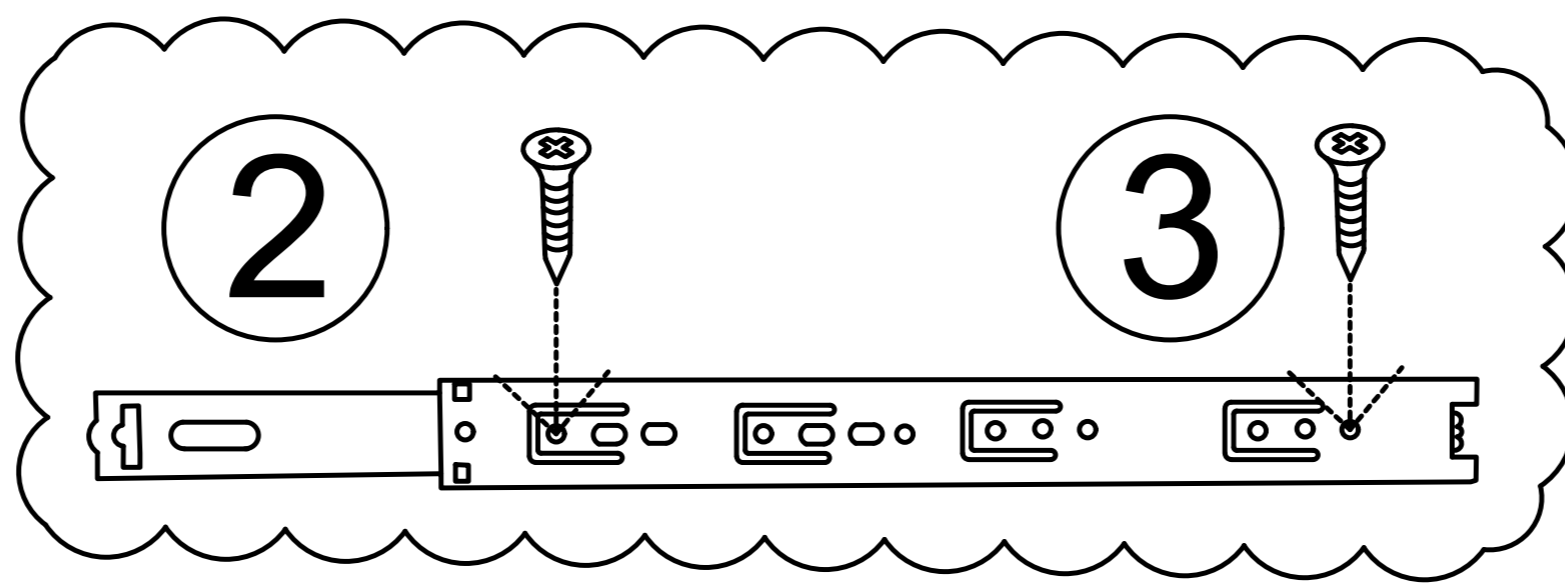
Pay attention to the direction of the hole position



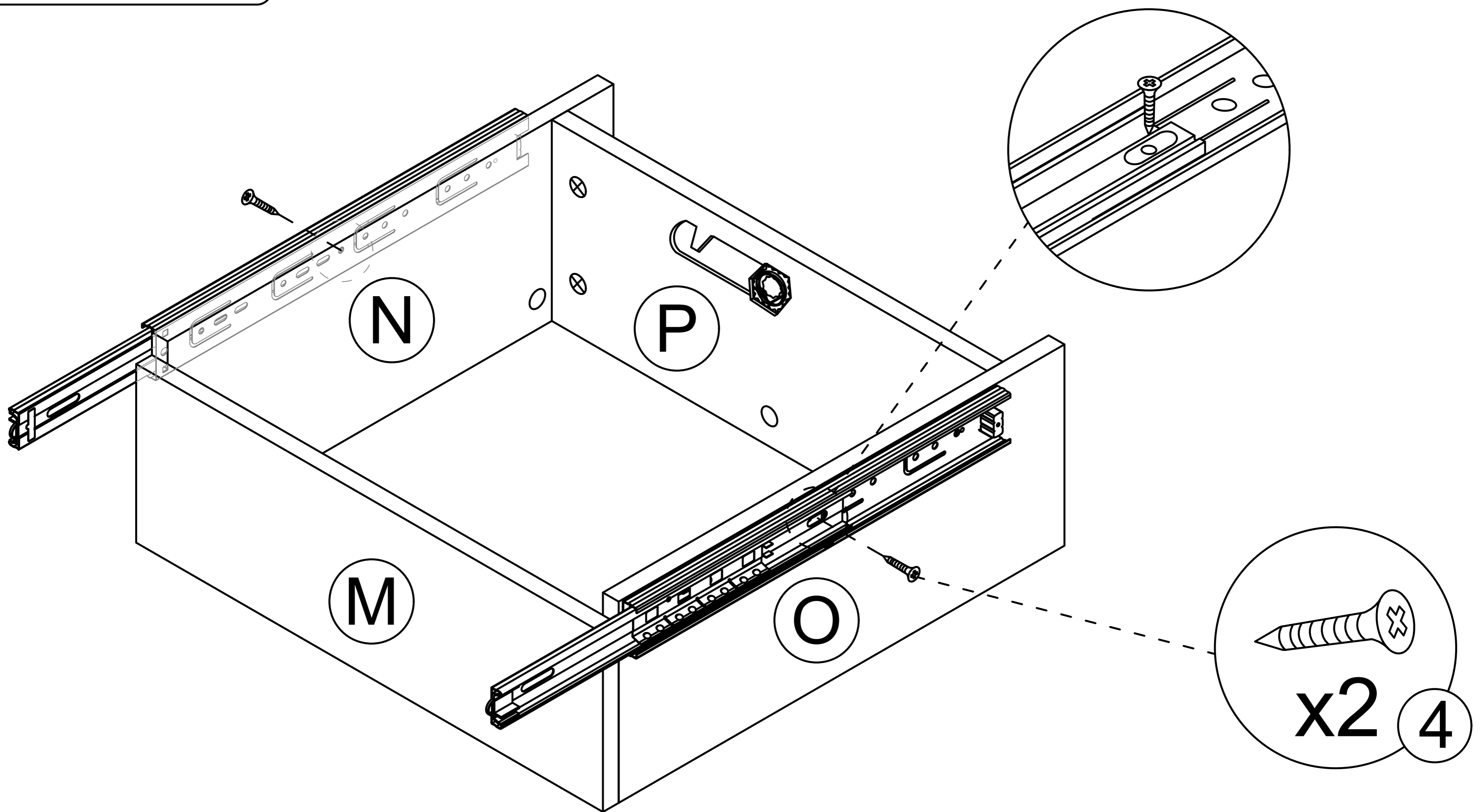
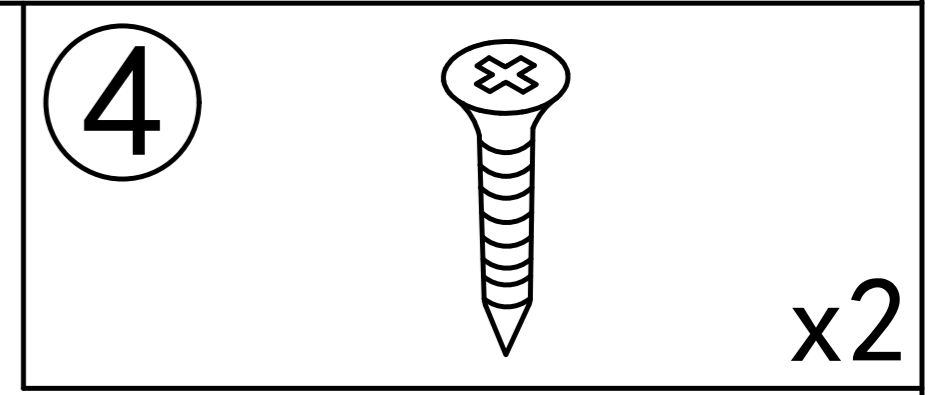
6		x1
		x1
		x1

Lock the hex nut with a wrench

Step 31

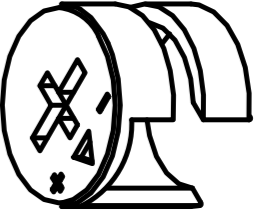


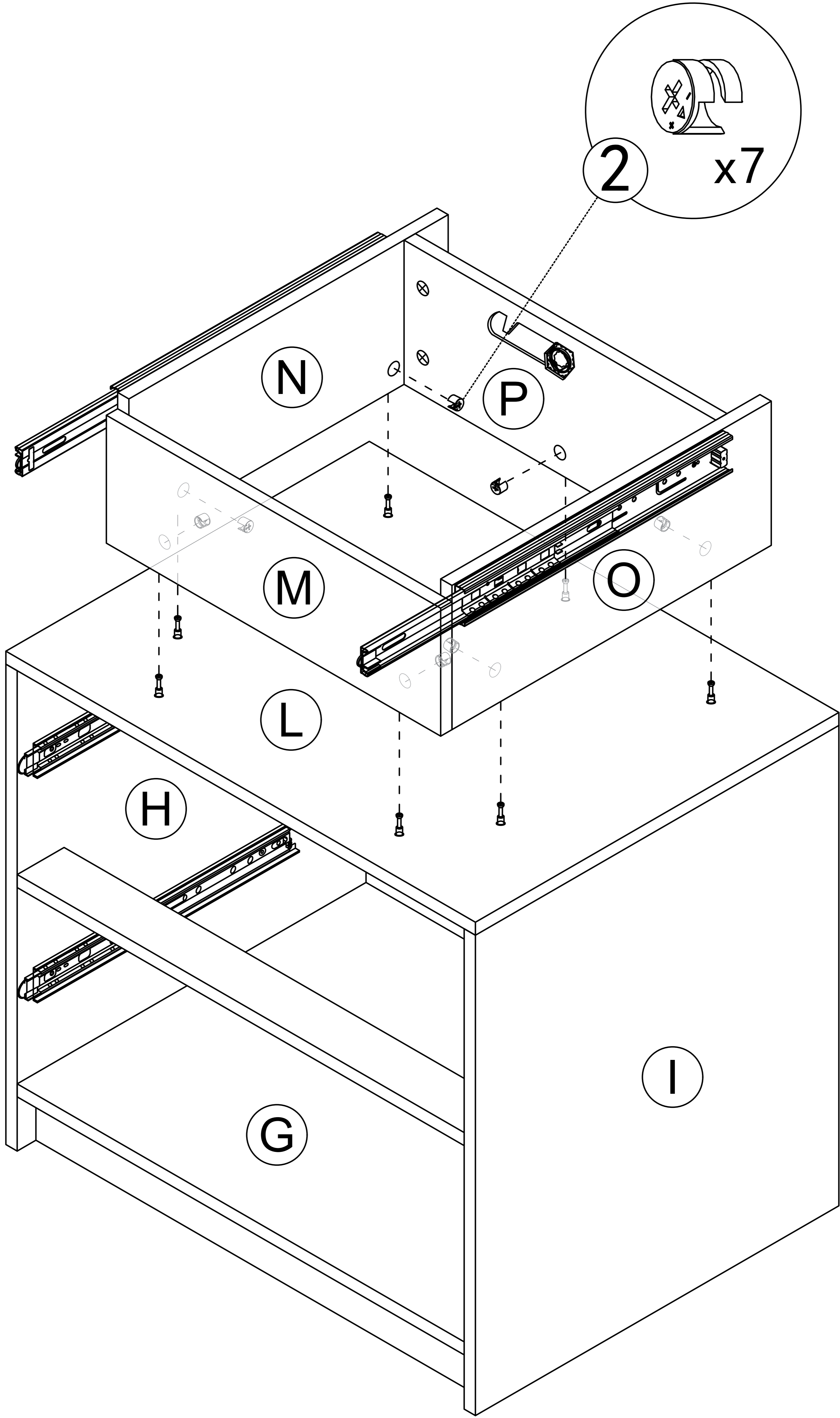
Step 32



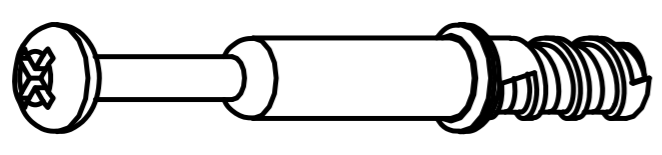
This hole is for strengthening fixed hole customers can choose to install according to their needs.

Step 33

②  x7

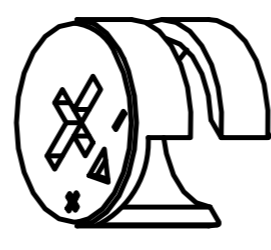


1



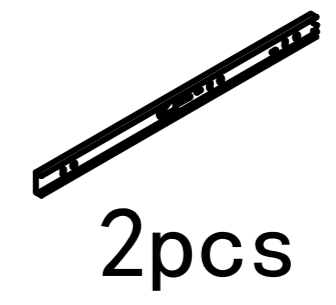
17pcs

2



17pcs

4

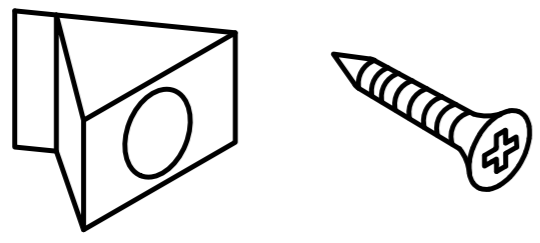


2pcs

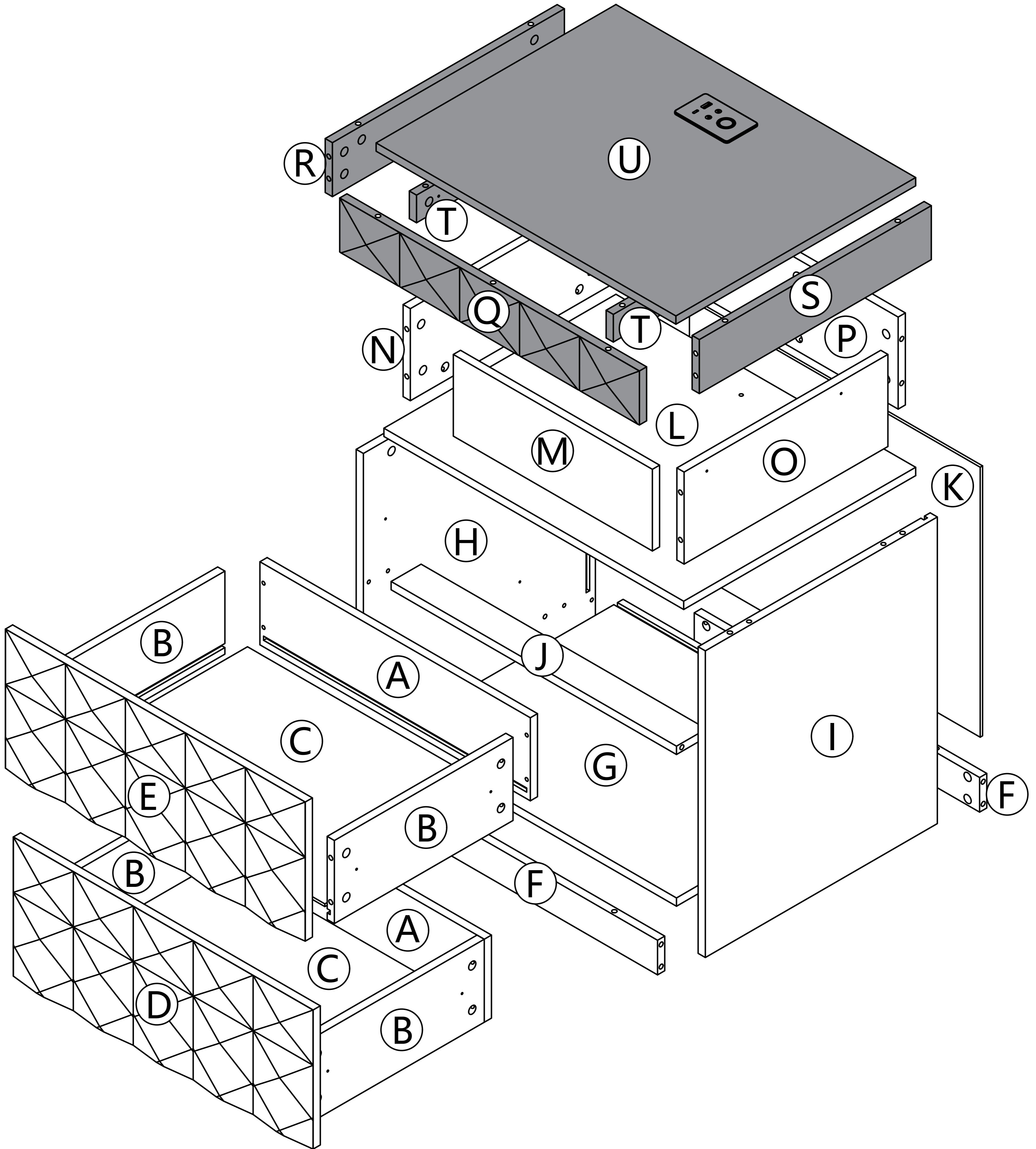


4pcs

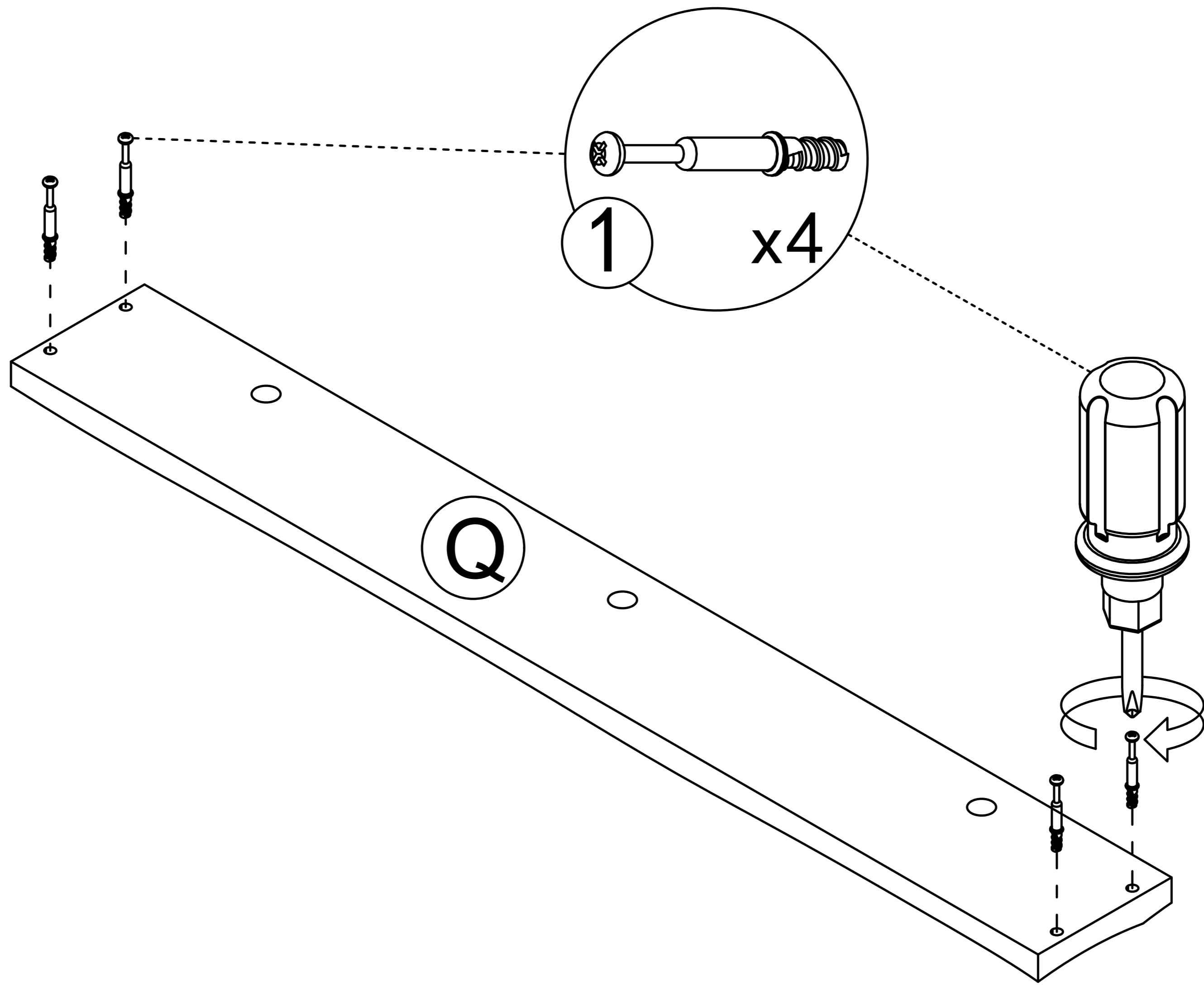
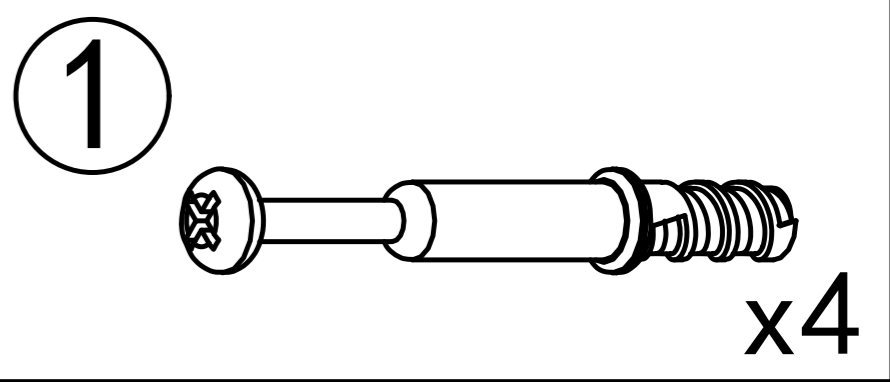
5



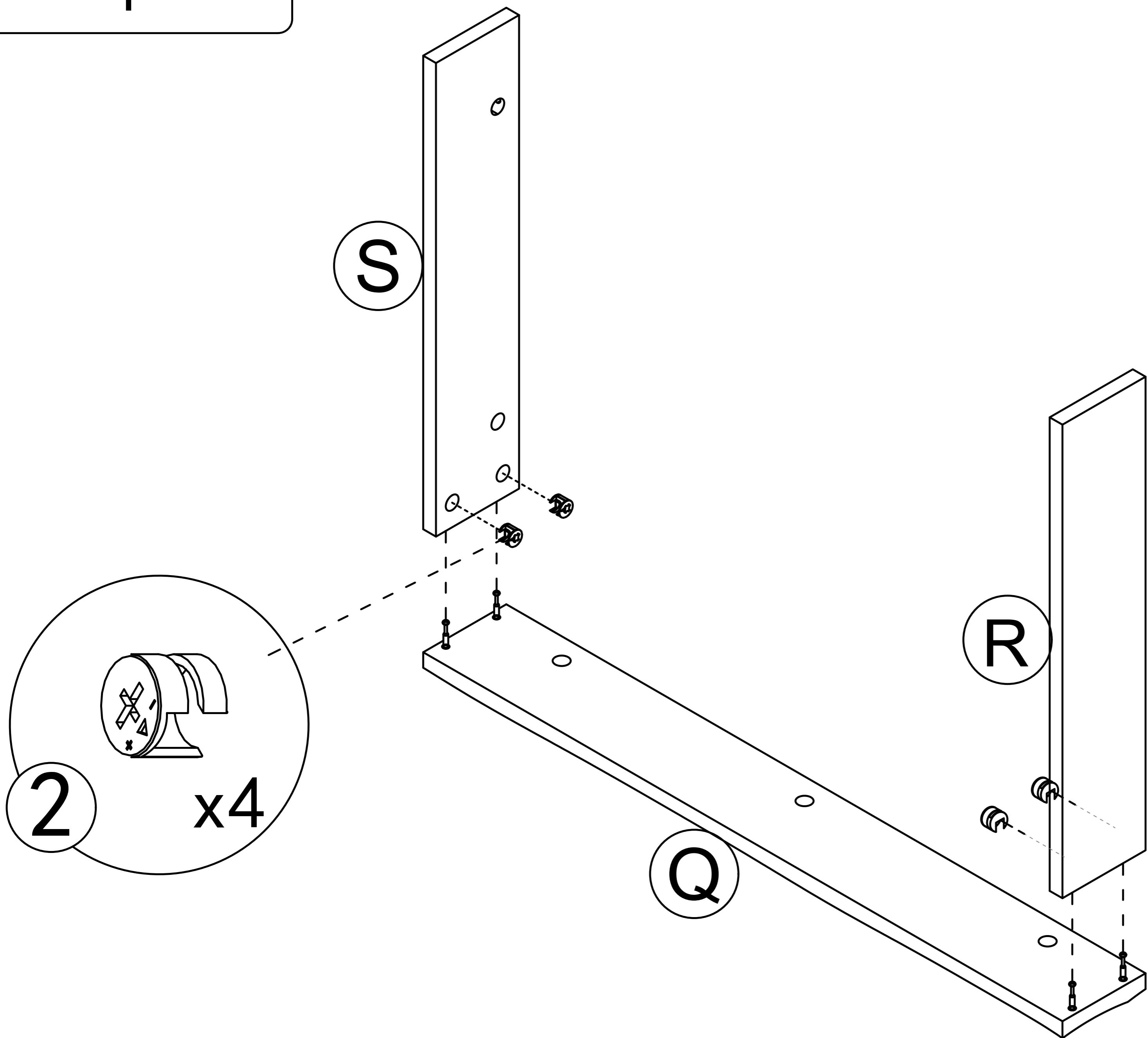
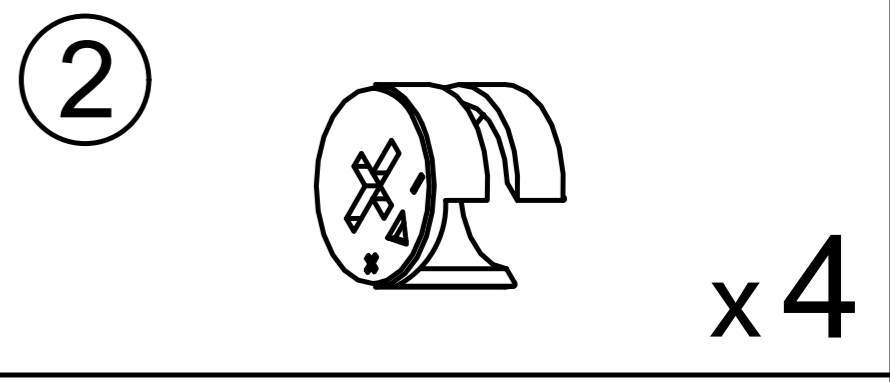
4pcs



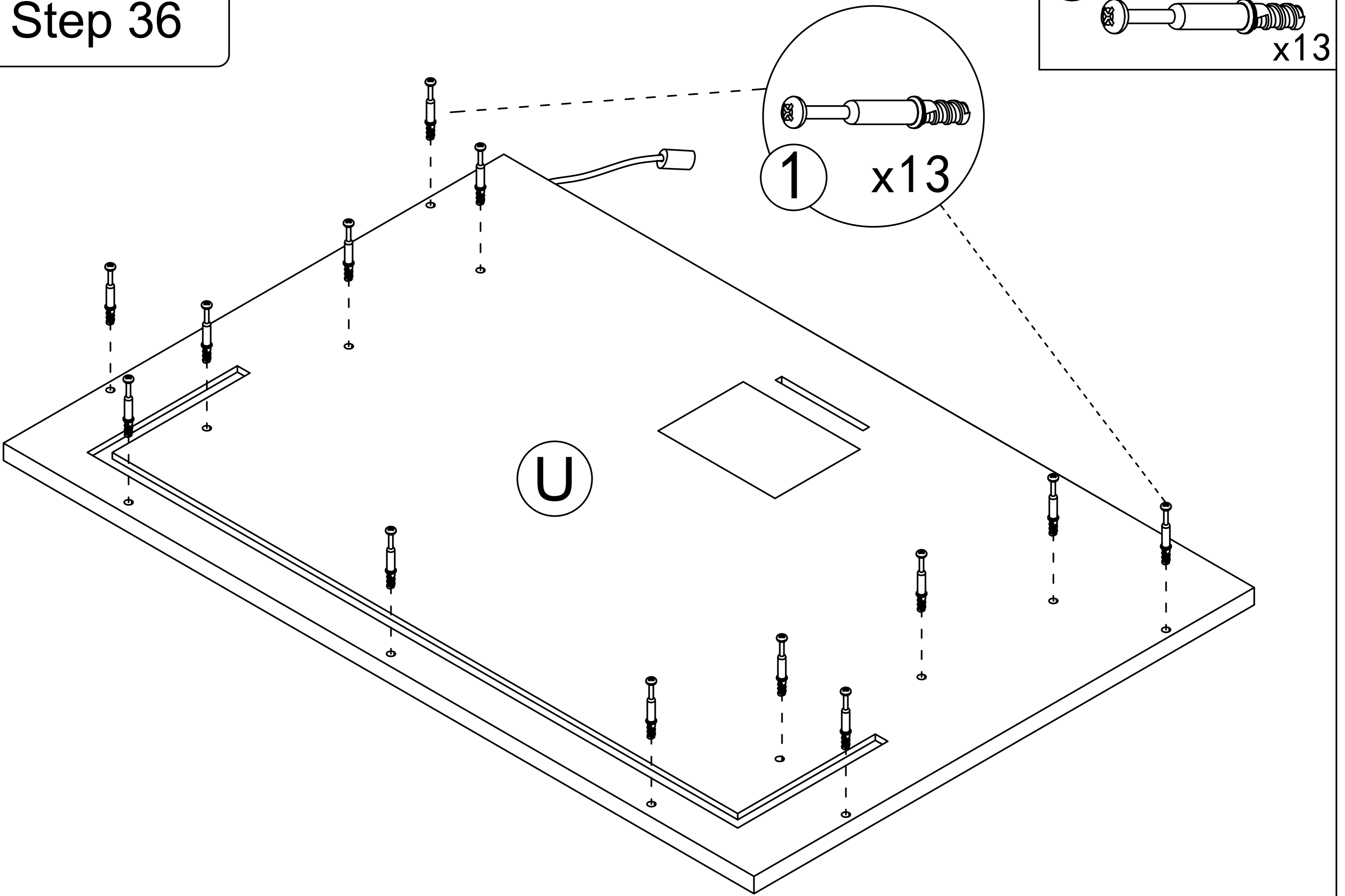
Step 34



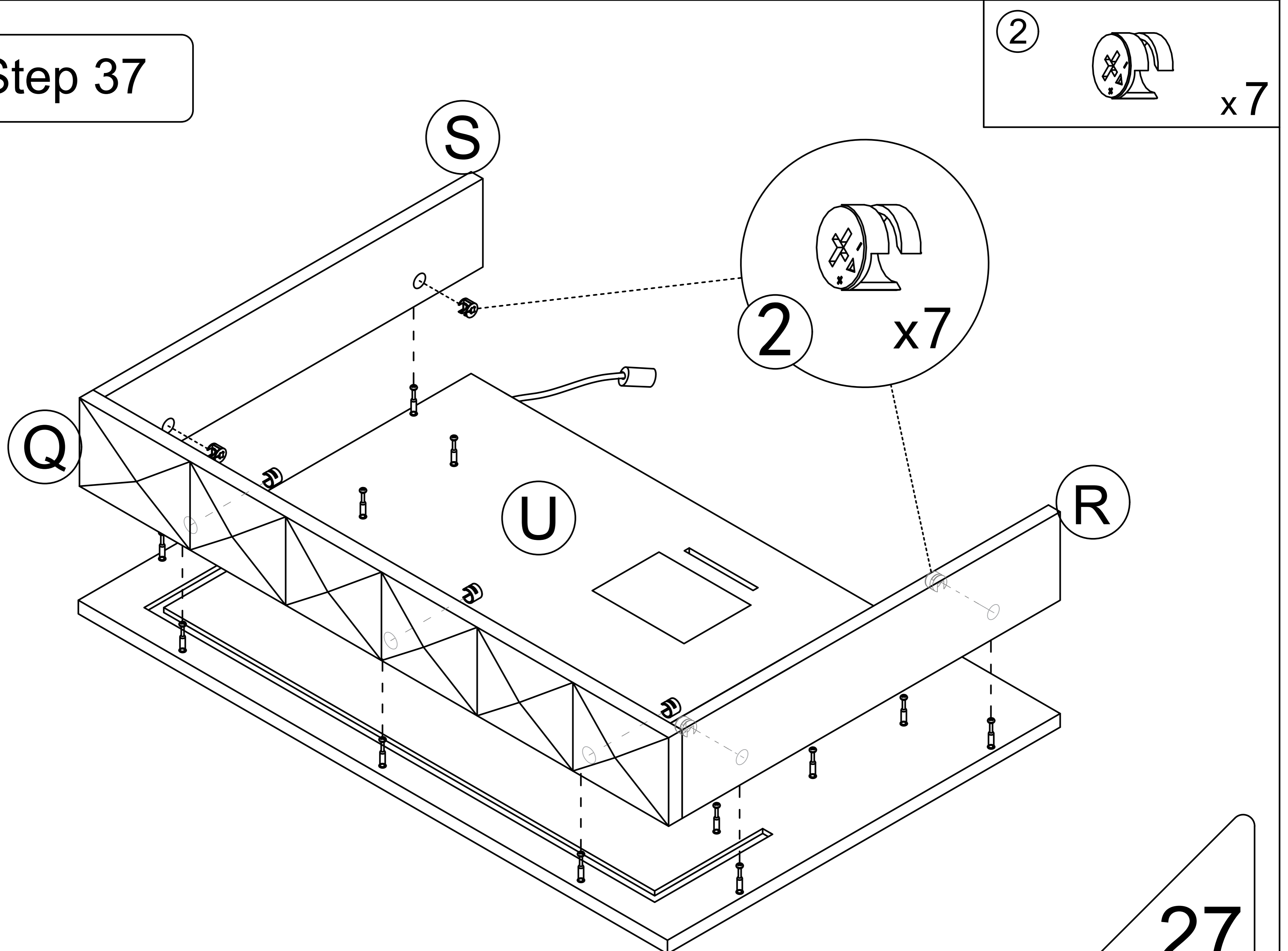
Step 35



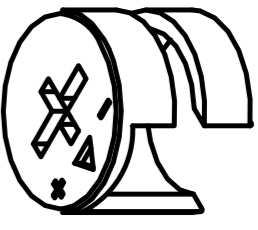
Step 36

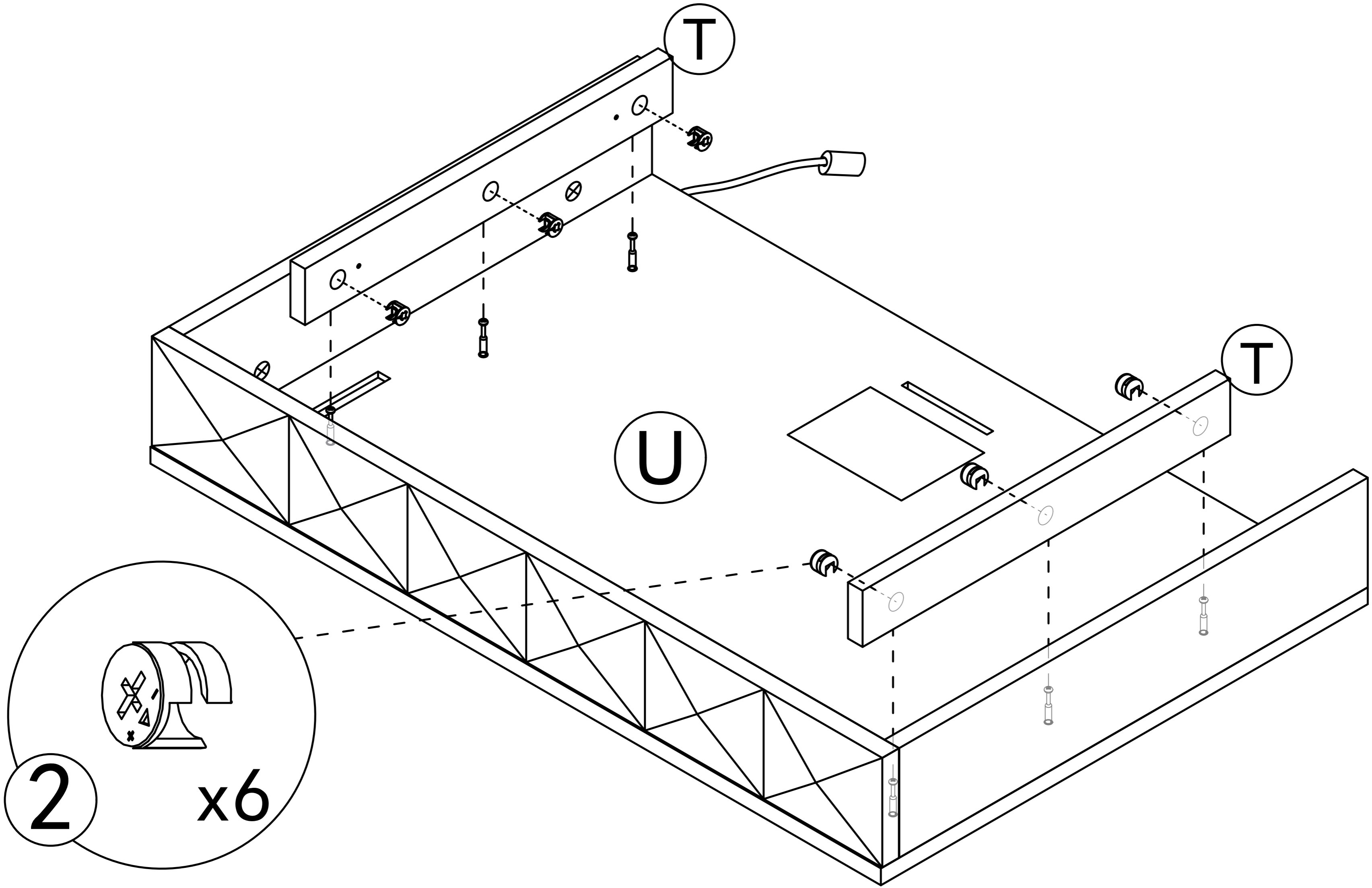


Step 37

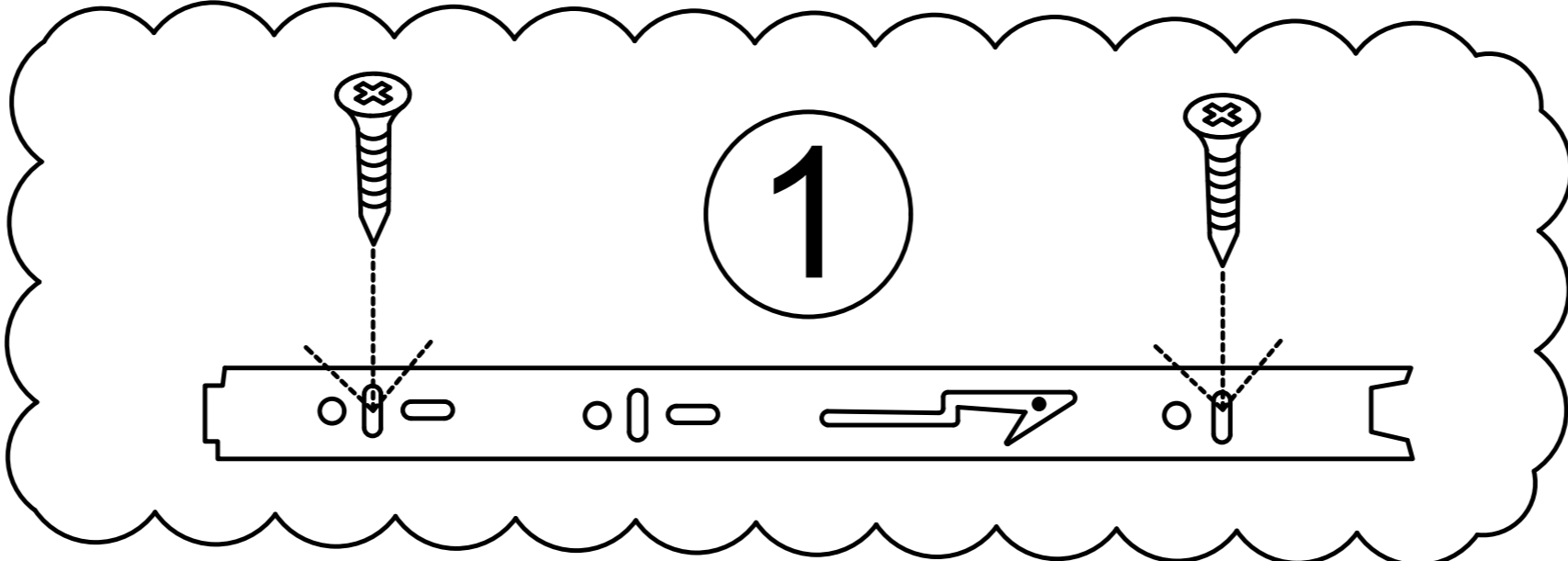



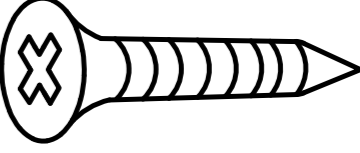
Step 38

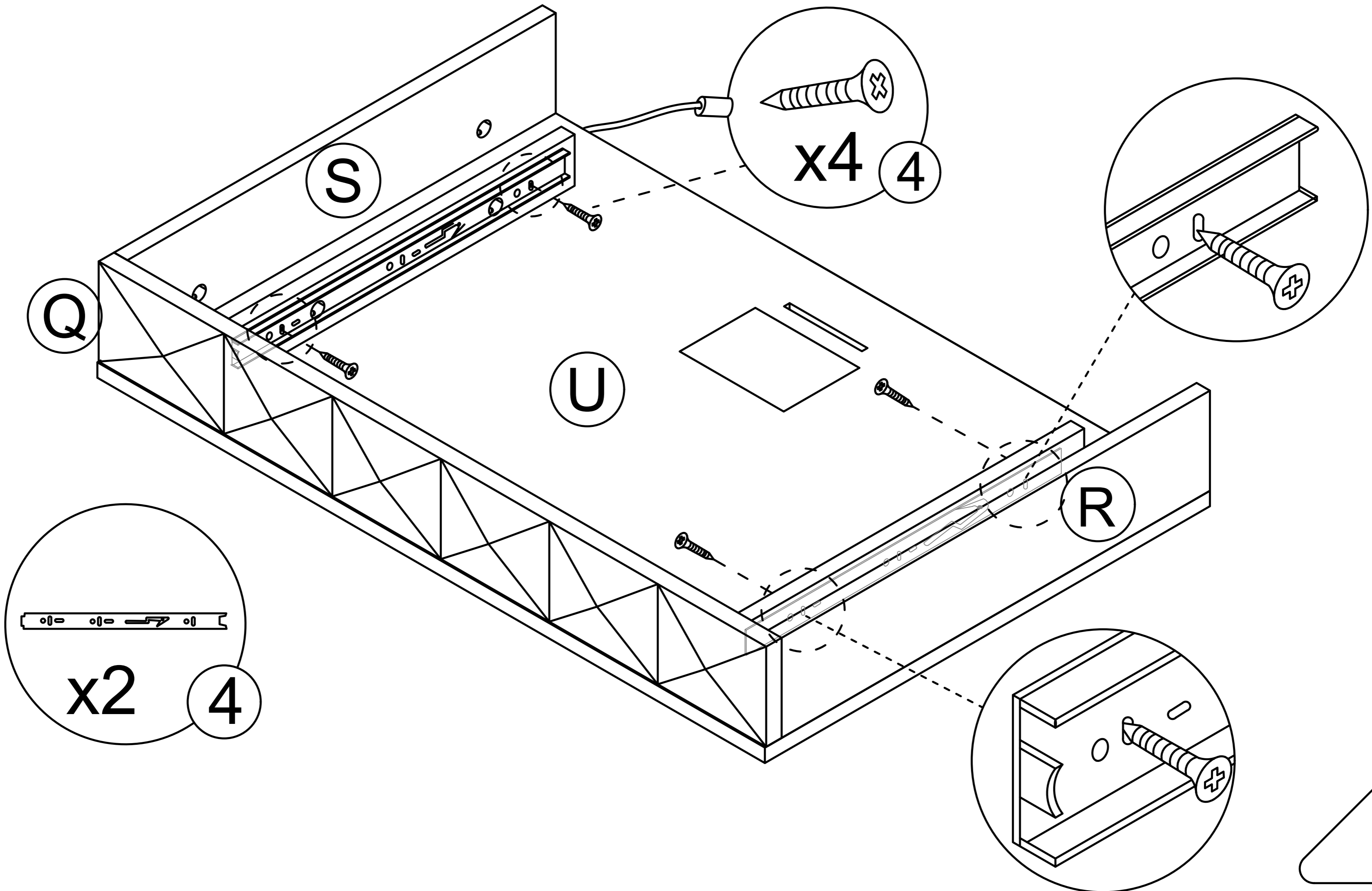
②  x6



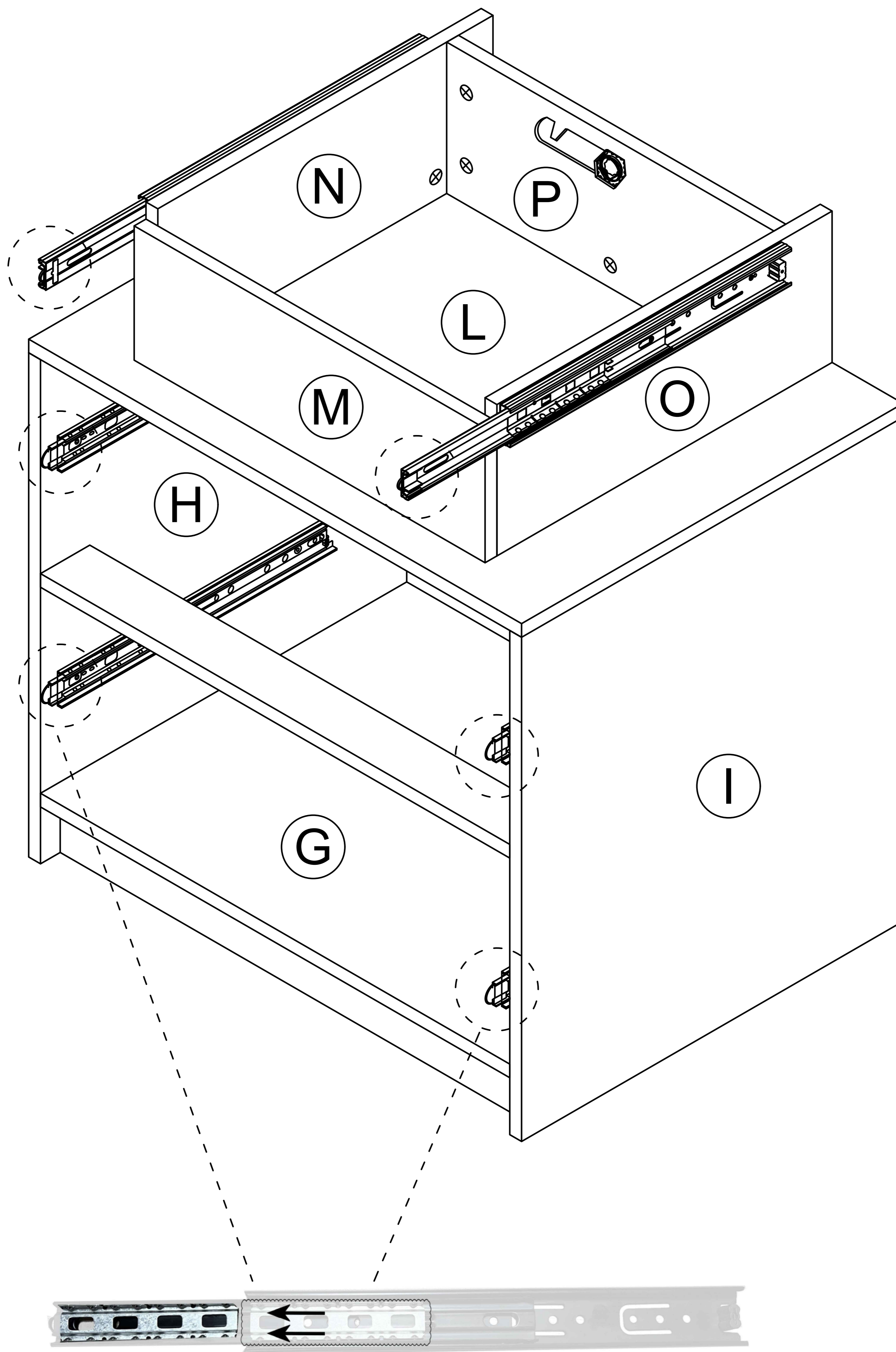
Step 39



④  x2
 x4

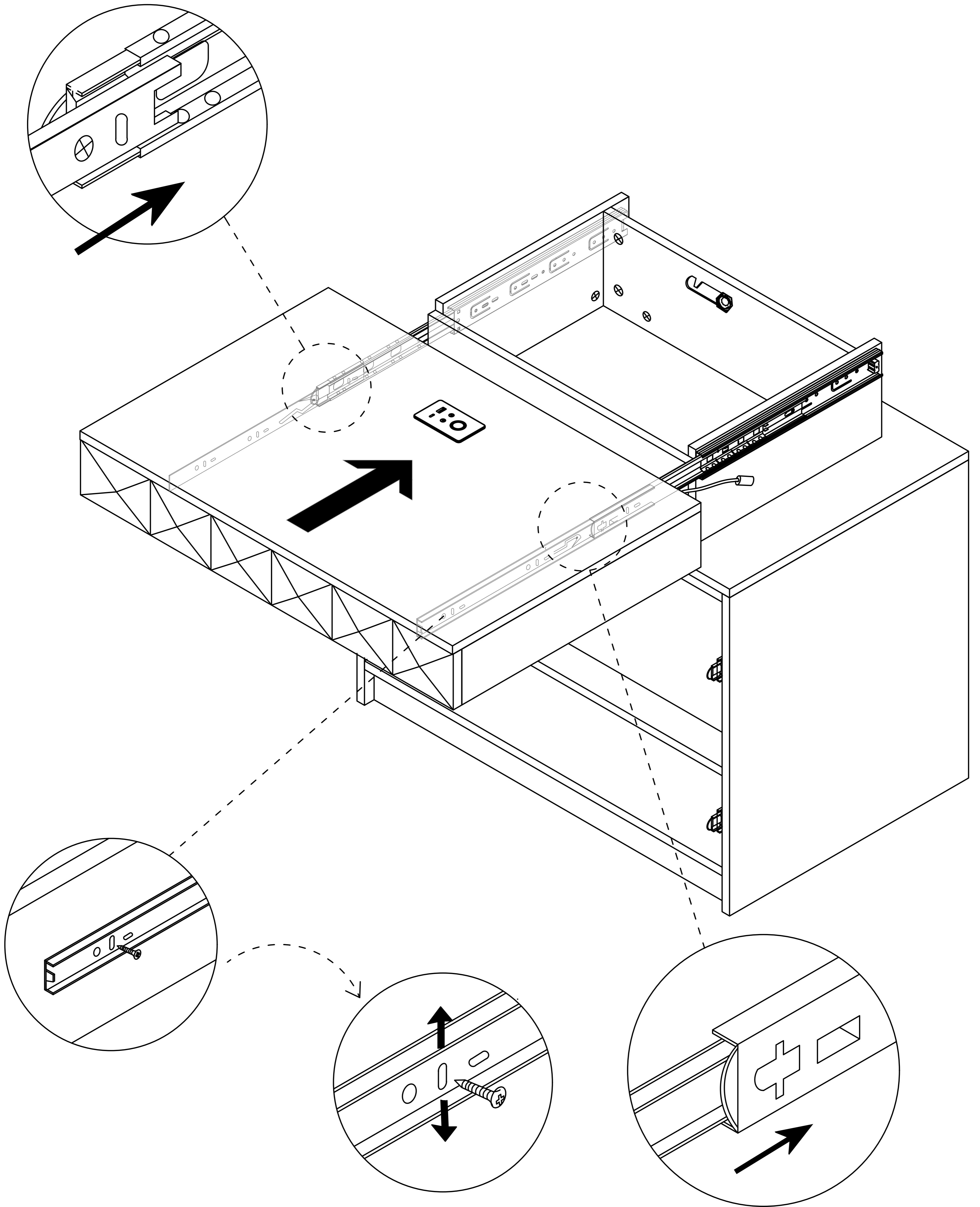


Step 40



As shown, When installing the drawer, pull the guide rail out first, Slide beads are also pulled out.

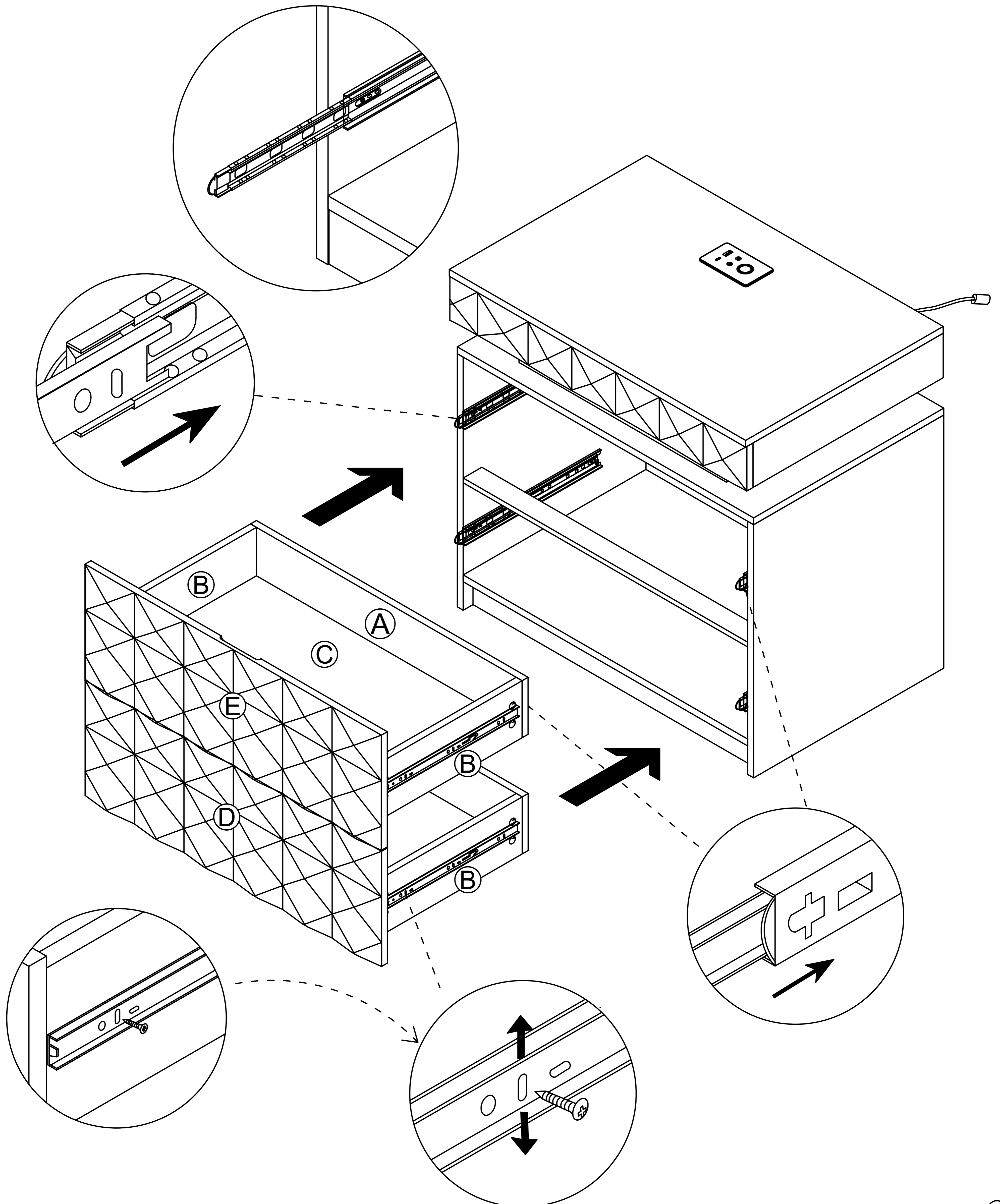
Step 41



If a large gap is found after installing the drawer the slide rail can be moved up and down to adjust the gap.

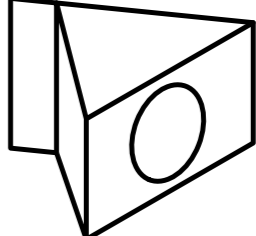
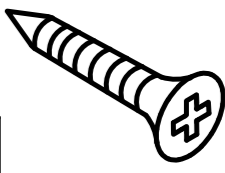
Step 42

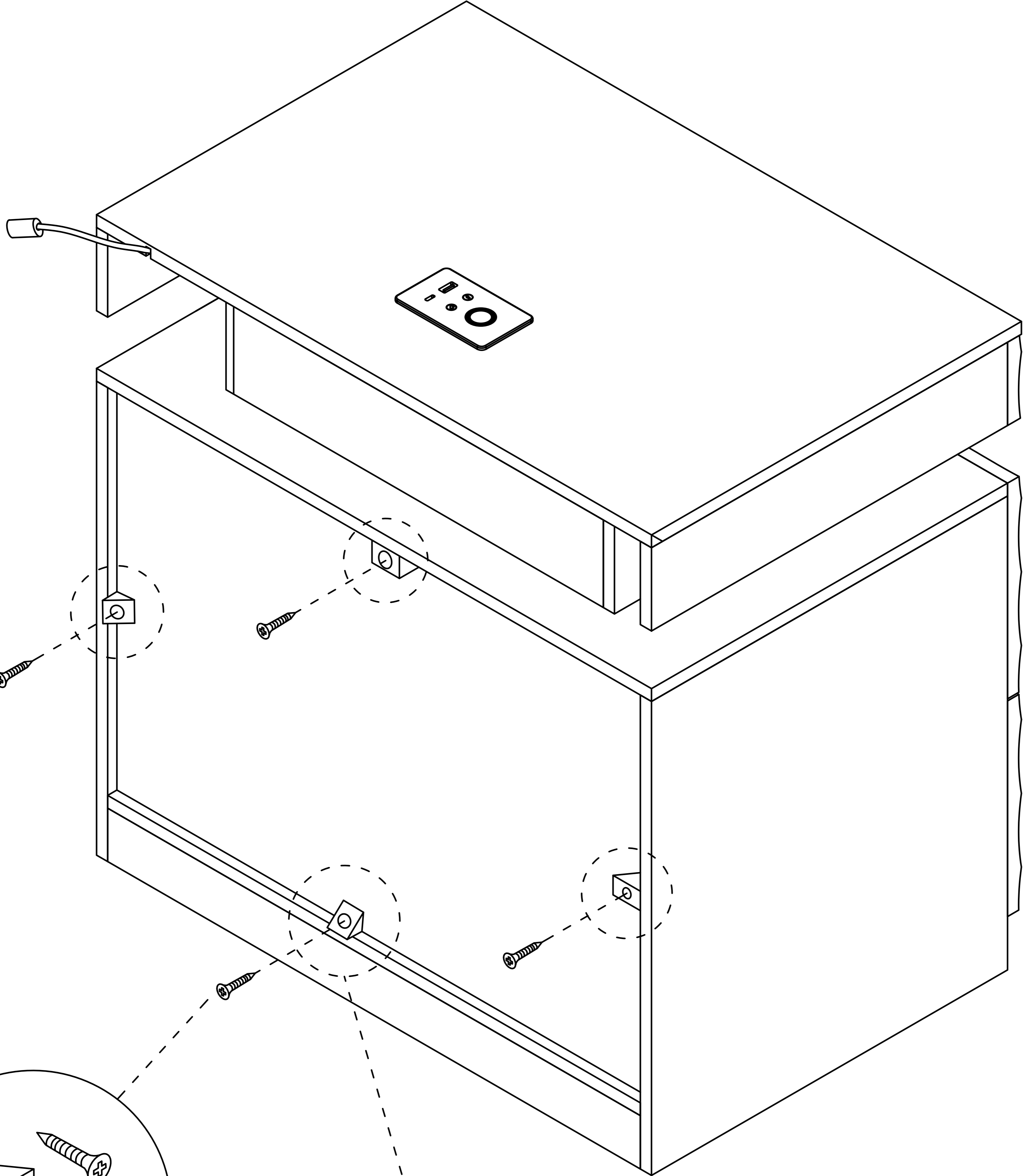
As shown, When installing the drawer, pull the guide rail out first, Slide beads are also pulled out.

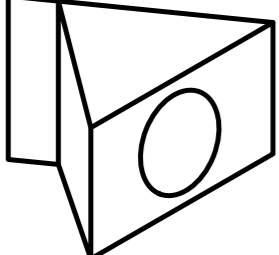
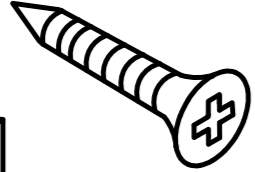


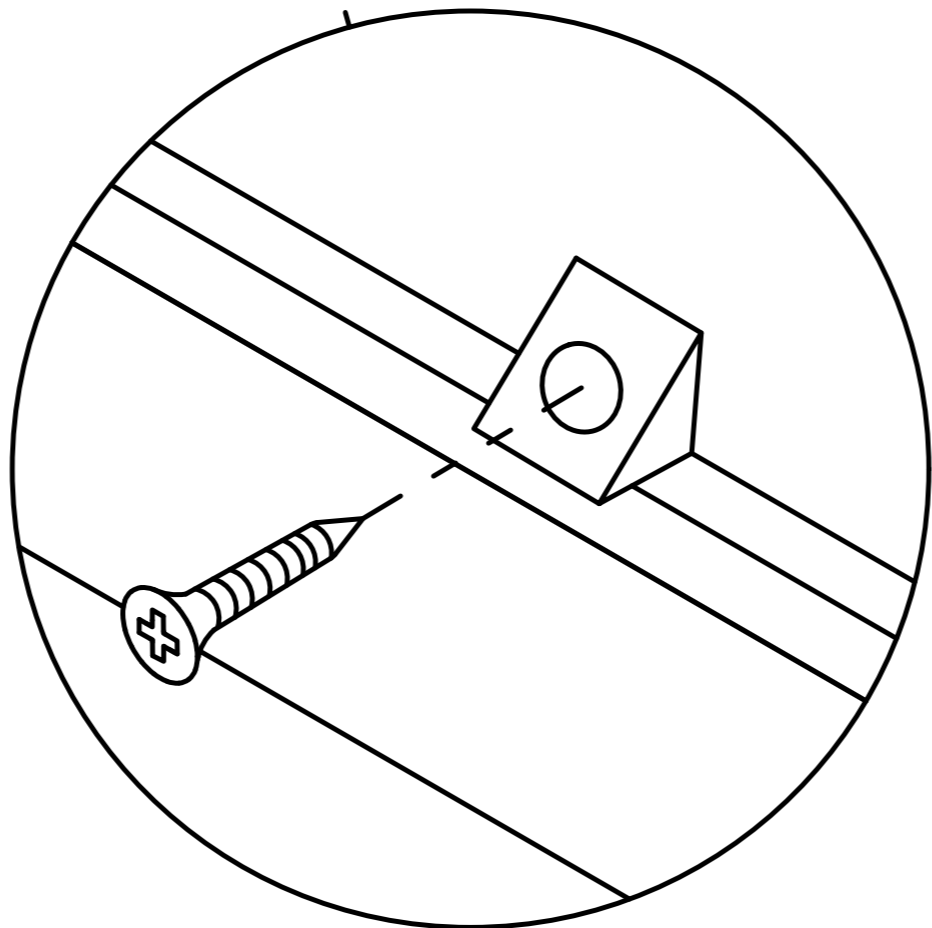
If a large gap is found after installing the drawer the slide rail can be moved up and down to adjust the gap.

Step 43

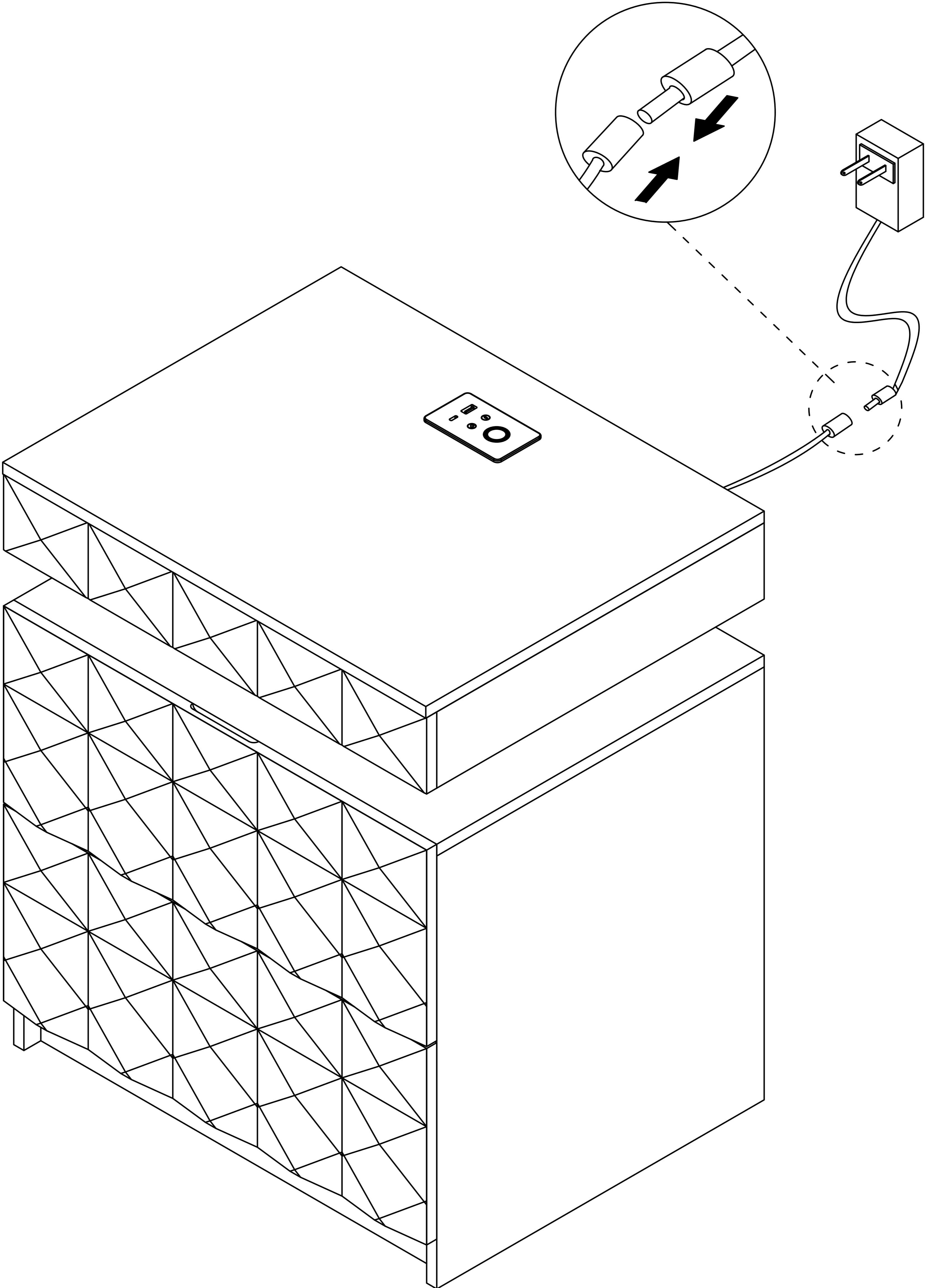
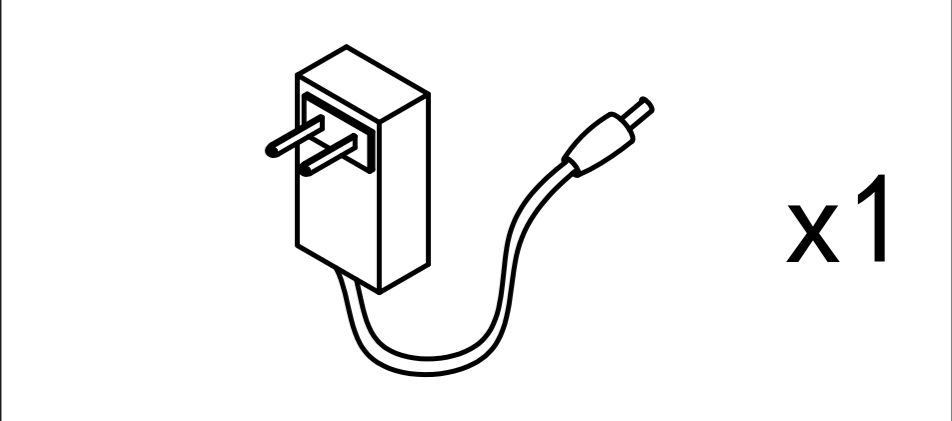
5   x4



  x4 5



Step 44



User's Guide

Thank you for purchasing this product.

To use this product, please connect it to a power source.

Please use if the product works normally after connecting to power.

If bubbles appear on the panel, remove the protective film.

Introduction

The box is an intelligent controller.

It has 1 USB output port 1 Type-c port, with 3 touch buttons and a touch ring, it can and turn ON/OFF the induction function,

turn ON/OFF the light, adjust the light luminance, and change light colors.

The lights can be controlled through both the touch buttons and a dedicated app.



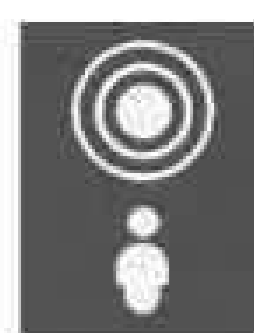
Operation

This touch button is used to turn the light on/off, adjust brightness, and switch the color of the lights.



- i. Single Click: Turn the light on/off.
- ii. Quick Double-Click: Switch between 7 static RGB colors.
- iii. Long Press (2+ seconds): Adjust the light luminance.

This touch button is used to turn ON/OFF the induction function.



Single Click: Turn on (The key press indicator light is on.)

Single Click: Turn off (The key press indicator light is off.)

By default, the human body sensing is enabled upon initial power-on, and the indicator light is on.



This touch button is used to switch dynamic phantom colors.

Single Click: Switch to Phantom Mode, with 5 magical color transformations available.

Light ON/OFF Button

Application QR code

This area is the color switch function, you can click or slide to any color circle position to achieve color switch.



Type-c output port

USB output port

Induction Button

⚠ ATTENTION PLEASE

1. If there is no touch response suddenly, Re-plug the power to reset the touch static electricity.
2. If you have any questions when installing, please feel free to contact us. Thank you.