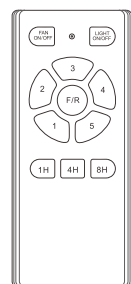
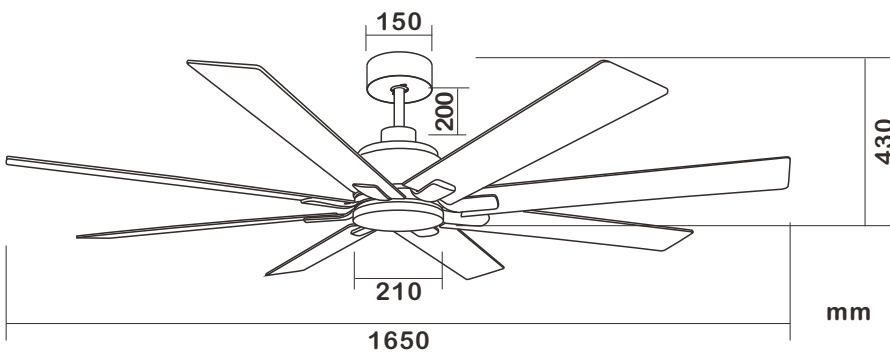
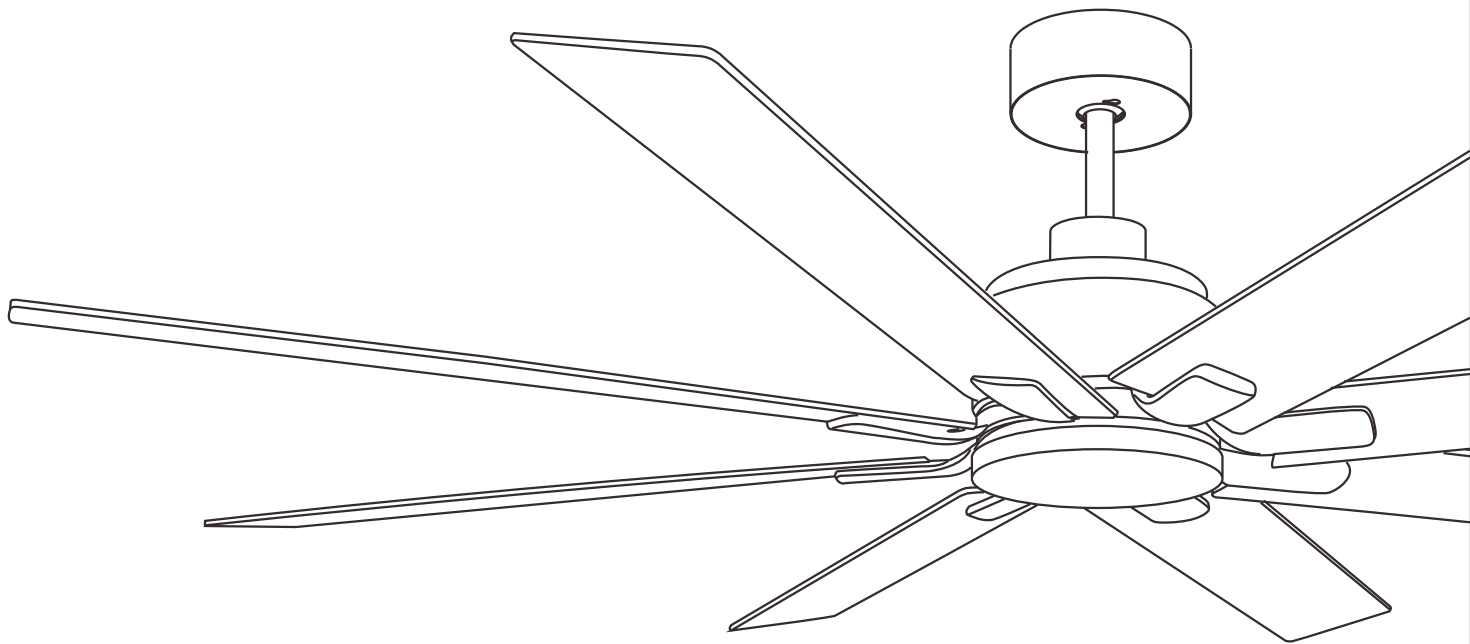


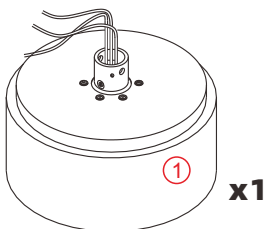
LED Ceiling Fan



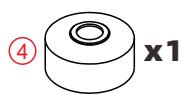
- *DC energy saving motor
- *Massive size provide strong wind
- *High quality
- *8 Plywood fan blade

- *5-speed remote control
- *1/4/8 hour(s) timer
- *Positive inversion

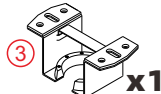
PACKAGE CONTENTS



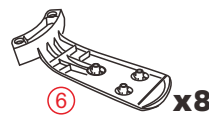
x1



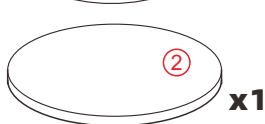
x1



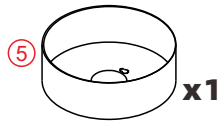
x1



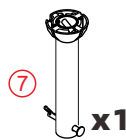
x8



x1



x1



x1



x1



x1

x8



x1



x2



x4



x25

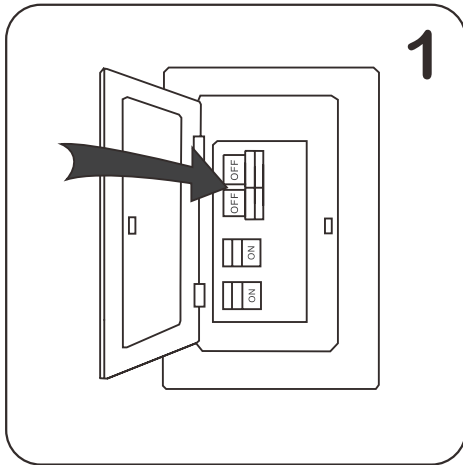


x25

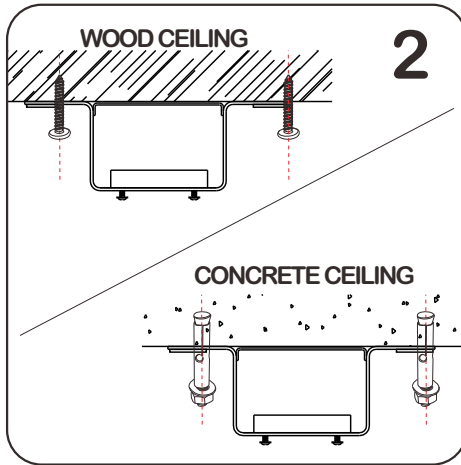


x17

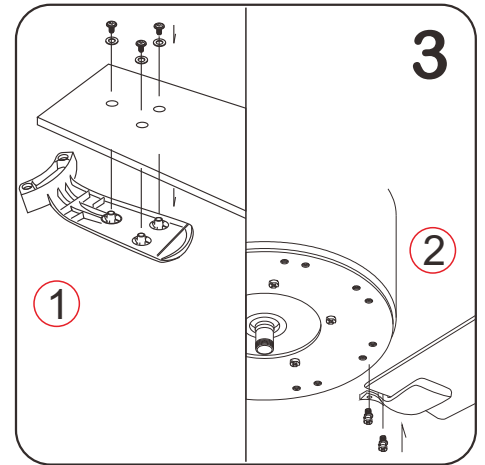
ASSEMBLY INSTRUCTIONS



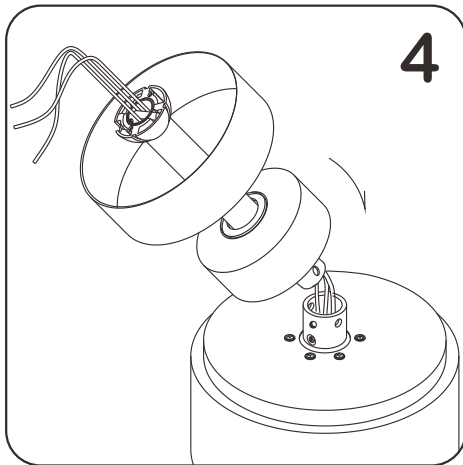
Turn OFF the electrical power at the main fuse of circuit breaker.



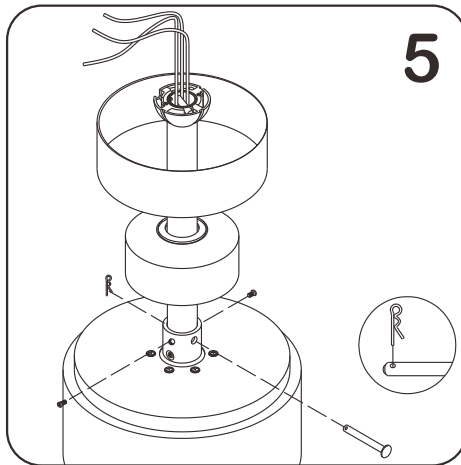
According to the different installation ceiling, select the corresponding installation screw for installation



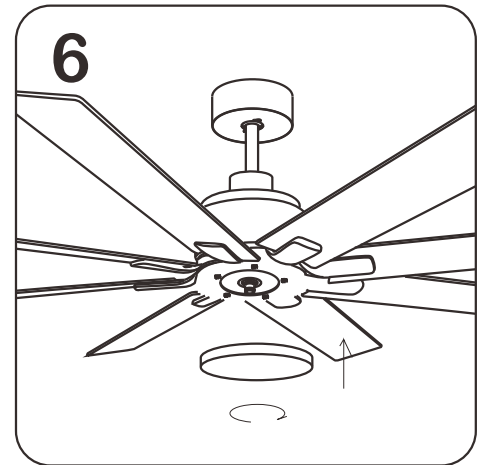
1. Match the fan blade hole to the fork and lock the screw as shown in the figure.
2. Then align the fork with the hole in the motor connecting plate and lock the screw to ensure that the screw is firm.



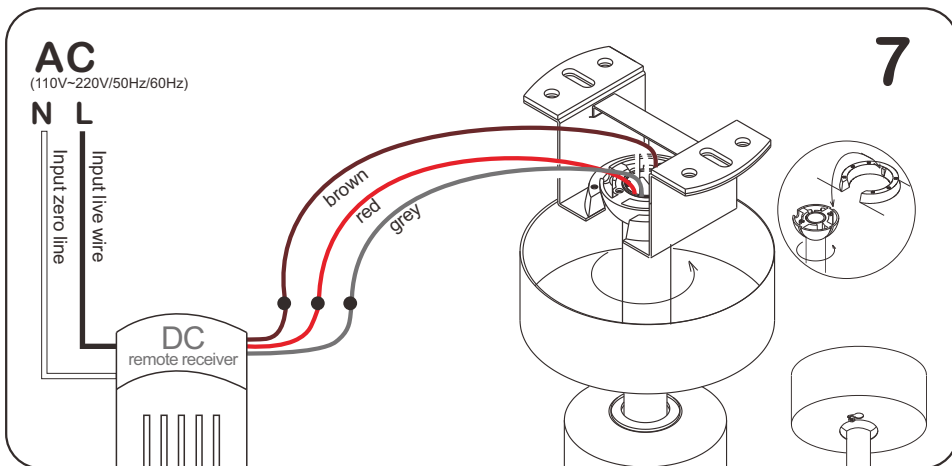
According to the figure, put the suspender into the upper cup, decorate the cover, and then thread the motor wire.



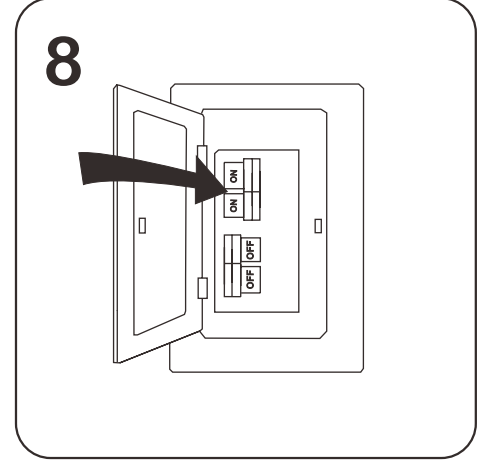
Clip the suspender into the fan motor, then rotate it to align with the hole, insert the cross bolt screw, lock the R pin, and finally lock the two screws on the hanger head.



Screw the decorative cover clockwise into the motor shaft as shown in the figure, and make sure it is firm.



After hanging the fan suspender into the hanger, rotate and clip it into the groove, then connect the wires according to the color, and finally put on the hanging cup. After rotating the hanging cup, lock the hanging cup screw



Restore the power at the main fuse or circuit breaker.