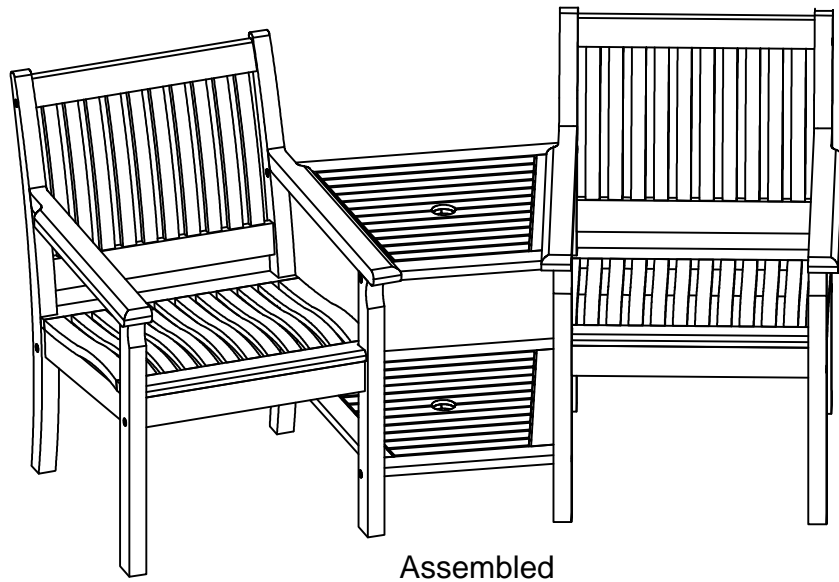






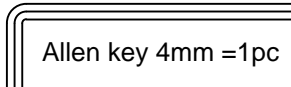
COMPANION SEAT ASSEMBLY INSTRUCTION

PLEASE READ COMPLETELY BEFORE YOU BEGIN ASSEMBLY

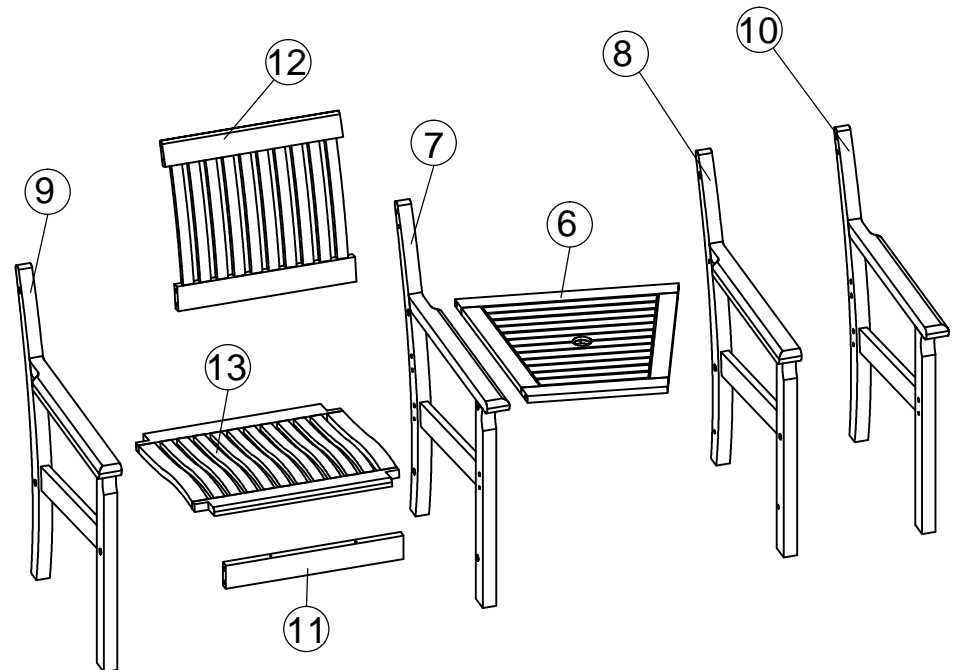


HARDWARE LIST

- ①  Screw 7x60 =8pcs
- ②  Screw 7x90 =12pcs
- ③  Wooden Dowel 10x40 =10pcs

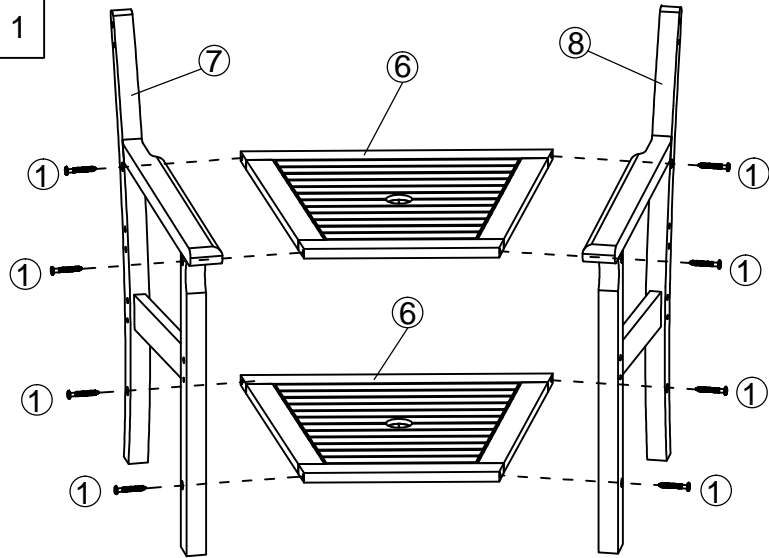
- ④  Screw 4x40 =8pcs
- ⑤  Allen key 4mm =1pc

PARTS LIST

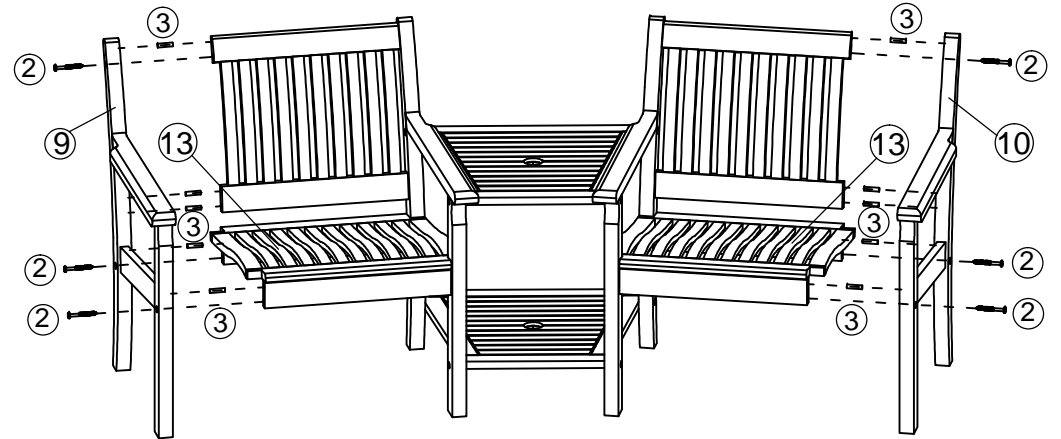


COMPANION SEAT ASSEMBLY INSTRUCTION

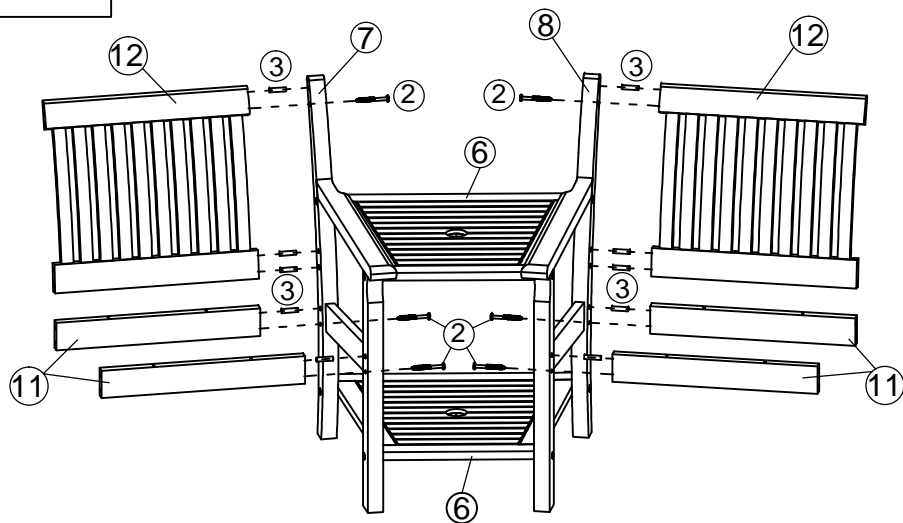
STEP 1



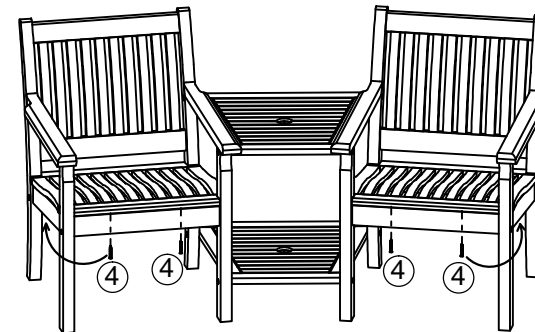
STEP 3



STEP 2



STEP 4



8 screws 4x40 in front and back

We constantly improve the quality of our products, occasionally the components may differ from the components shown and are only correct at time of printing. We reserve the right to change the specification of our products without prior notice.