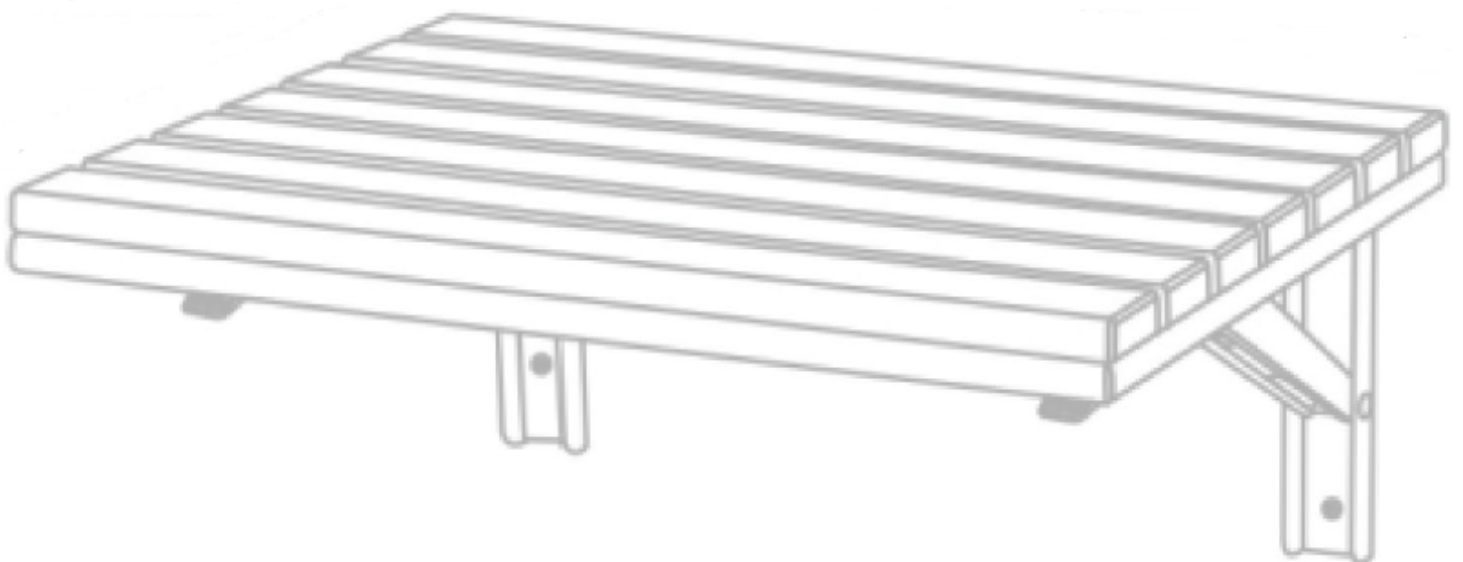
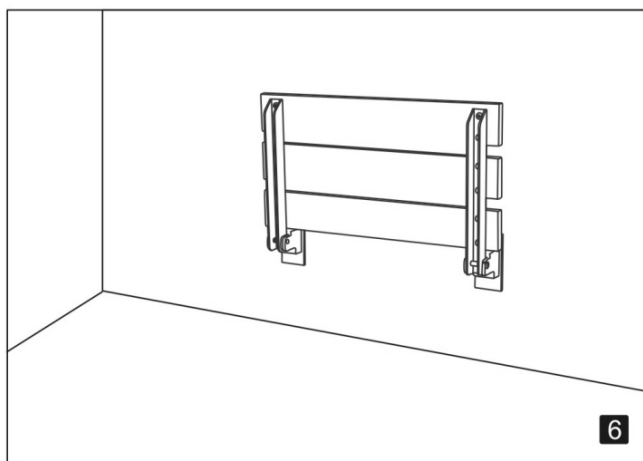
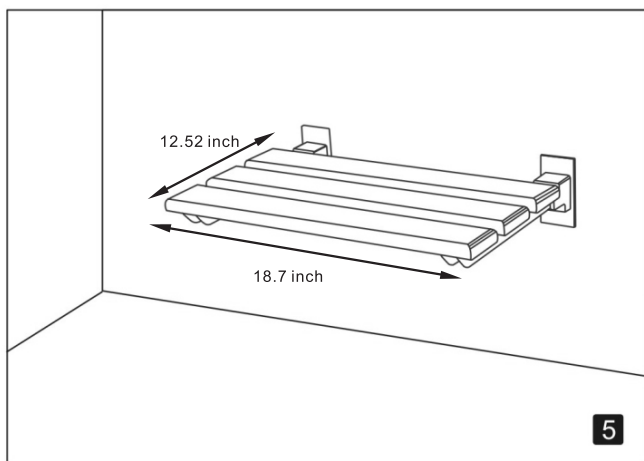
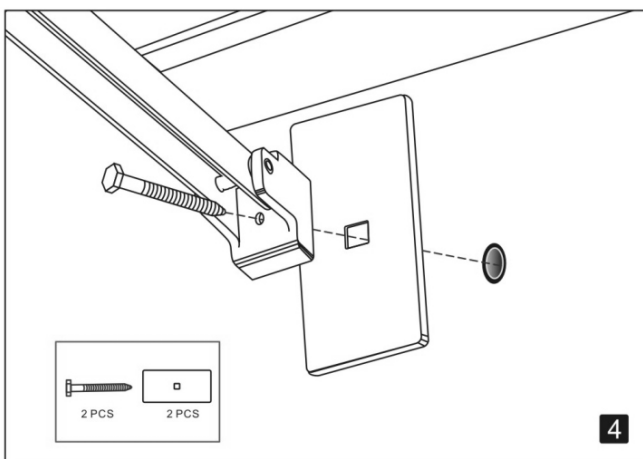
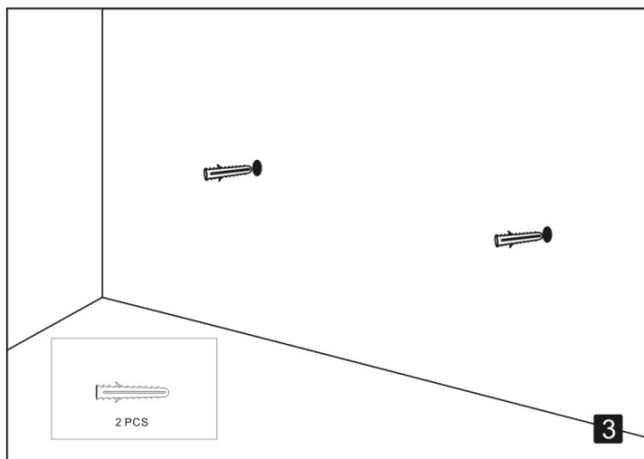
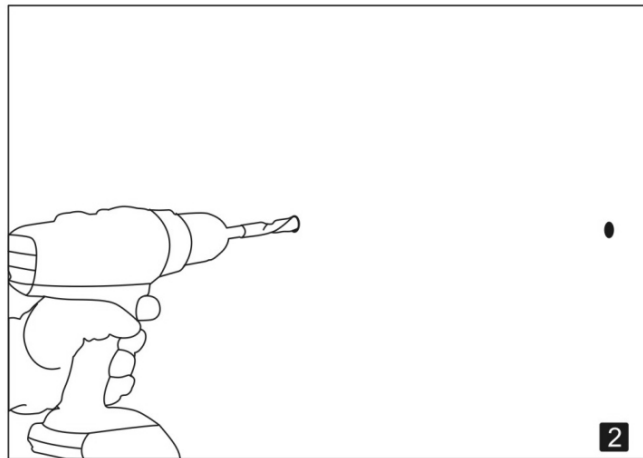
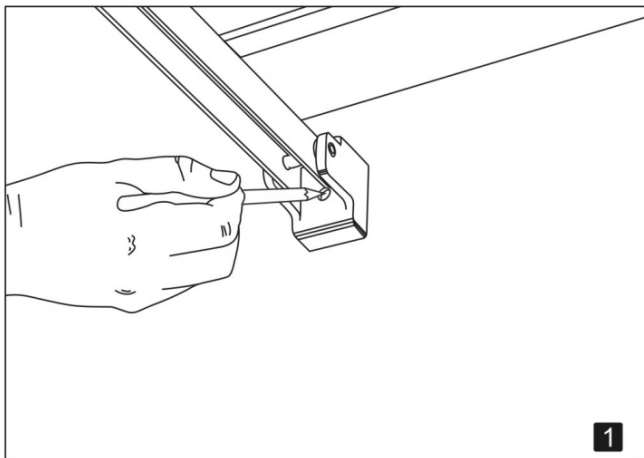


WALL MOUNTED SHOWER SEAT

INSTALLATION GUIDE



Installing Instructions for Teak shower seat



Remark: Preventing the fingers from being pinched during folding seat down & up

INSTALLATION INSTRUCTIONS

Place a blanket down in the area that you will be installing the Seat to protect the shower or bathtub surfaces from parts that may fall during installation.

A1. Identify the horizontal and vertical location of the Seat. Specifically, identify the location of the top hole on one side of the wall bracket as shown in of **Figure 1 (a)**.

A2. Notch the tile accurately with a center punch as shown in **Figure 2**. **NOTE:** A light tap is all that is required for punch to make notch.

A3. Drill hole for appropriate fastener as shown in **Figure 3**. Clear away debris from hole that could interfere with the seat sitting flush with the wall.

A4. Secure wall bracket using appropriate fasteners. Ensure the screw goes in as straight as possible so the flat head of the screw is within the countersunk area as shown in **Figure 4**. If it protrudes out, it may interfere with the sliding removal of the backrest panels.

A5. Once attached, use level as shown in **Figure 1 (b)** to ensure seat is straight. Identify the location of the top hole on the opposite wall bracket. **IMPORTANT:** Ensure distance between the wall brackets allows for easy sliding of the back rest panels (do not cause to bend inwards).

Repeat steps A2 thru A4 first for the top hole on the opposite wall bracket and ensure it is level. Repeat steps A2 thru A4 the remaining holes.

NOTE: Perform a final tighten and inspection of all fasteners. Test the installation by pushing down / sitting on the seat.

A6. Once all screws are installed, the backrest panels can be slid onto the wall bracket as shown below. Ensure the orientation of each seat panel is correct.

Your Seat is now installed.

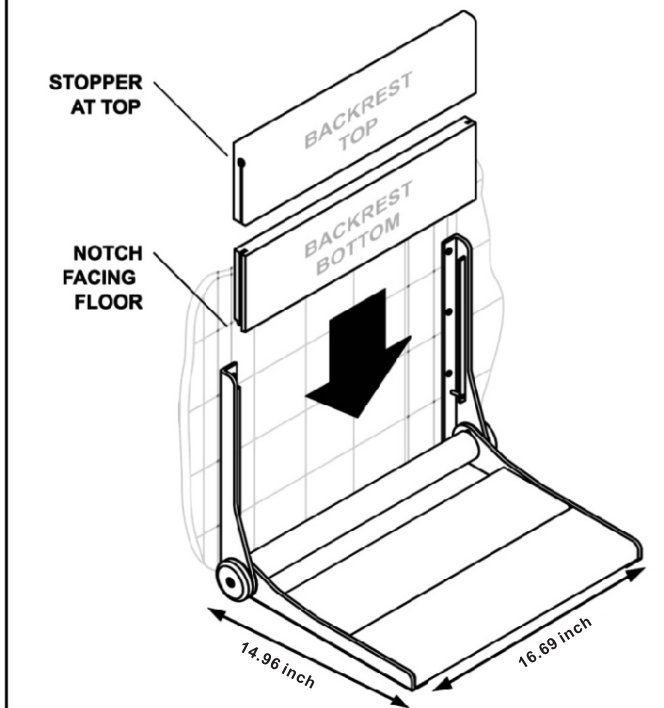


Figure 1.

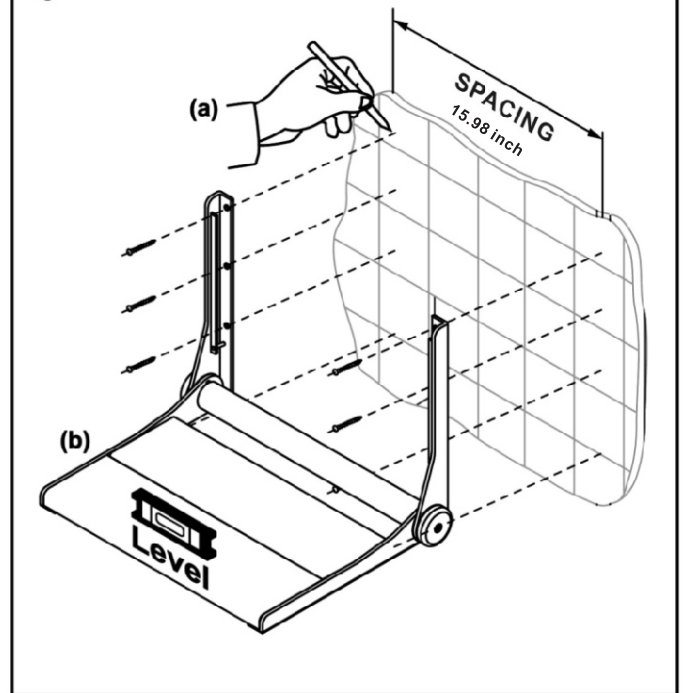


Figure 2.

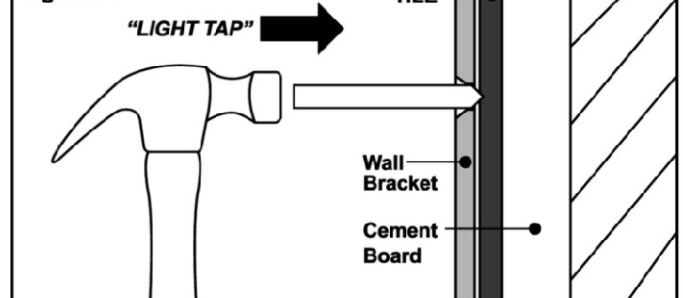


Figure 3.

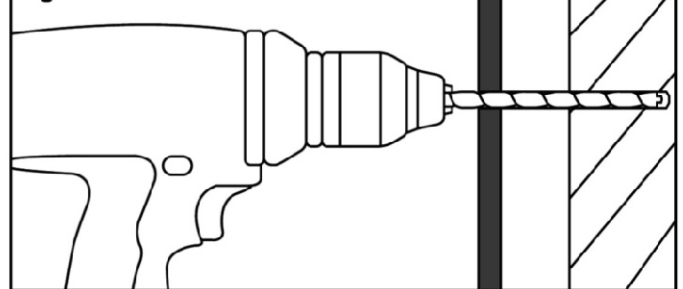
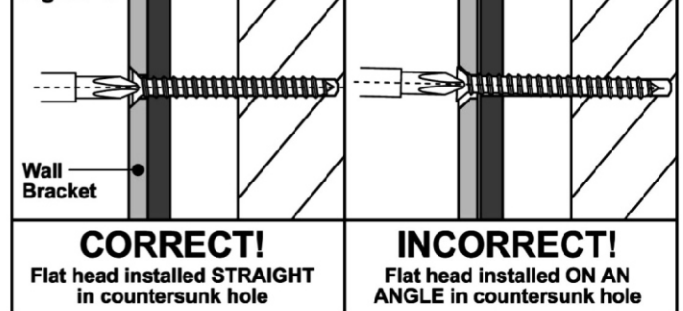
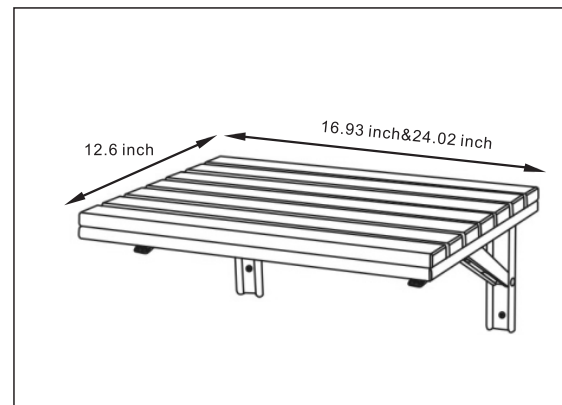
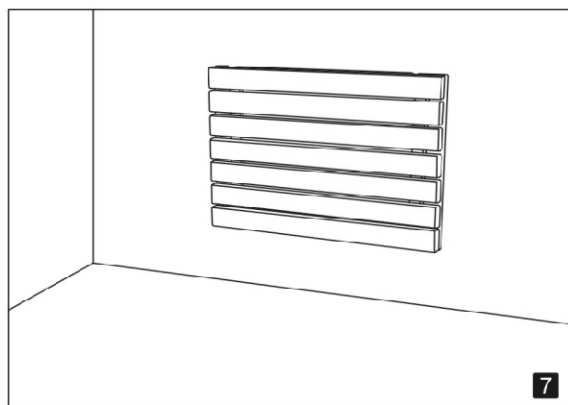
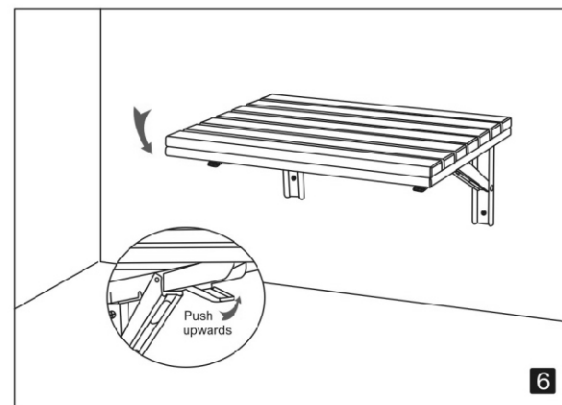
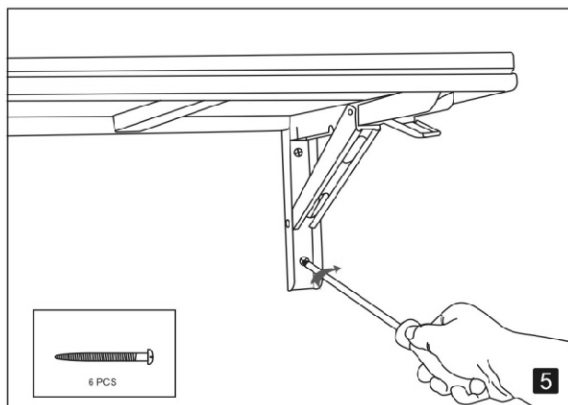
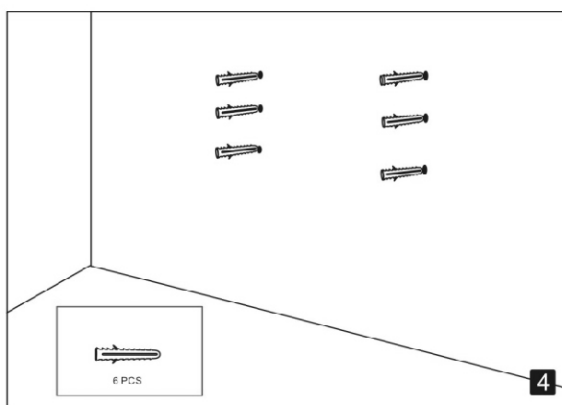
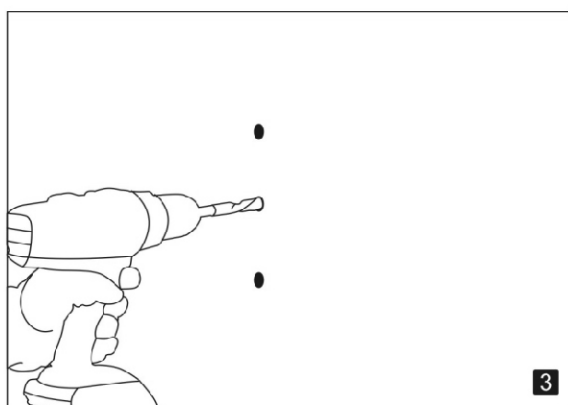
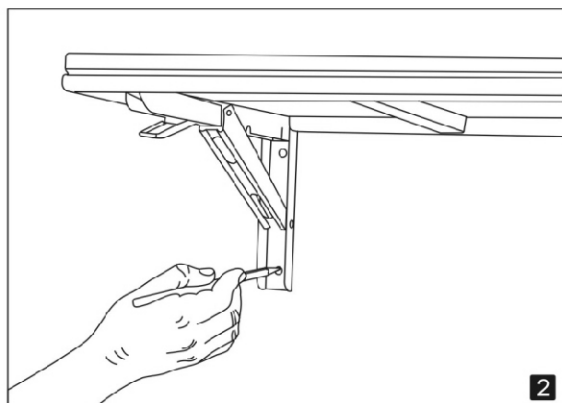
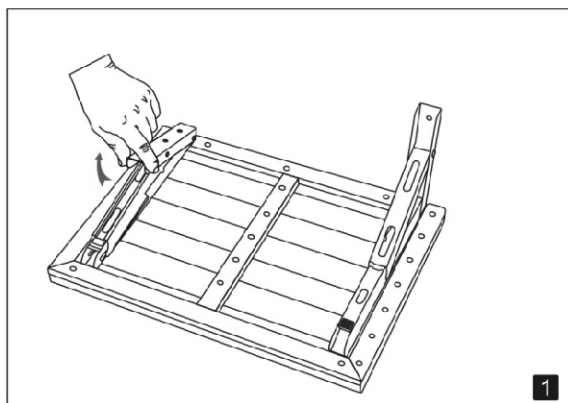


Figure 4.



Notice: If the content on instruction is not complied with the real product, pls regard the product as reference.

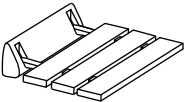



Installing Instructions for Teak shower seat



Remark:

1. the safe loading weight 160kgs

2. Preventing the fingers from being pinched during folding seat down & up

Quantity		
1	Teak Shower Seat, With Mounting Bracket	
1	Hex Wrench: 0.010"(2.5mm)	
7	Rawplug: 5/16"x 2-5/16"(8mm x 60mm)	
7	Rawplug Screw: 1/4"x 2-1/4"(6,3mm x 57mm)	

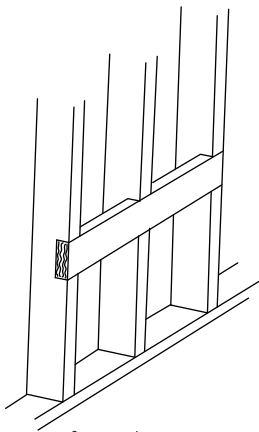
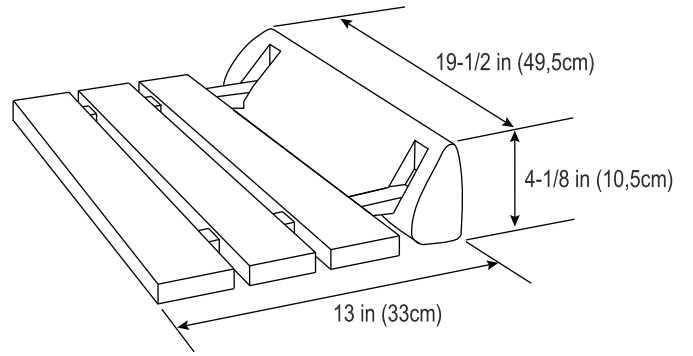


figure 1

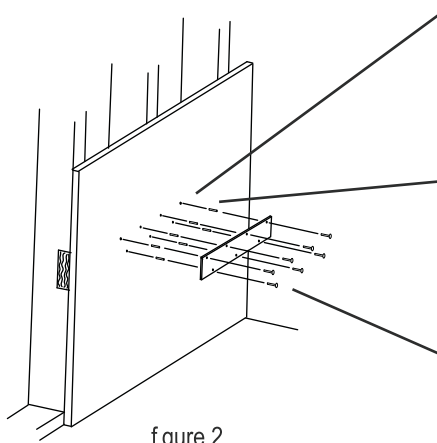


figure 2

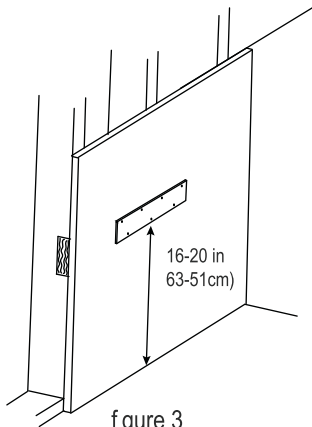
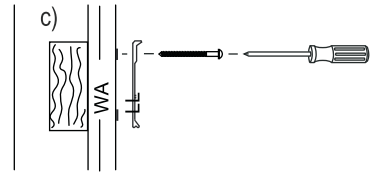
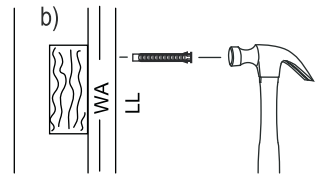
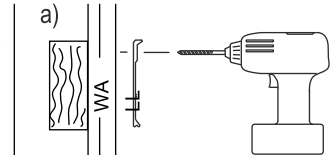


figure 3

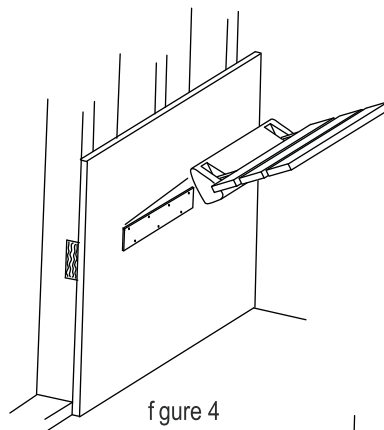


figure 4

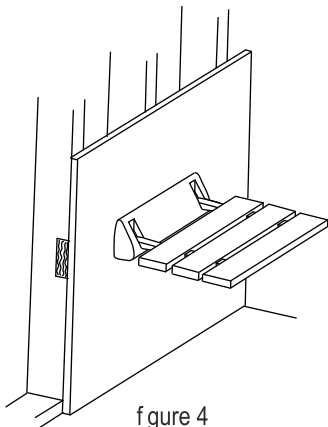


figure 4

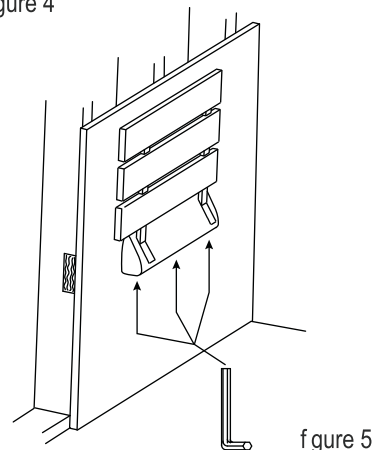


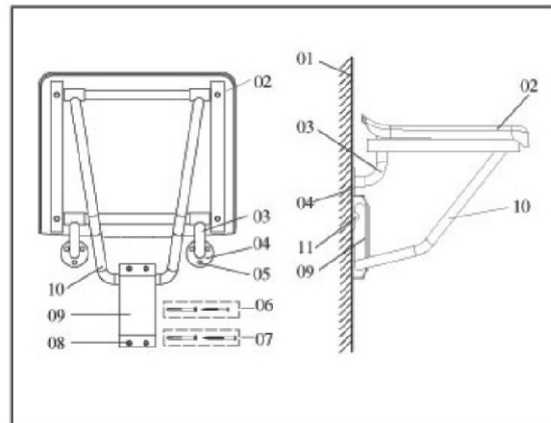
figure 5

Installation manual

Thank you for choosing our product, please read the installation manual before usage to avoid installation difficulty.

Figure

1. wall
2. seat
3. left and right support brackets
4. fix mount for brackets
5. screw eye for 5*50mm expand screw
6. 5*50mm expand screw set
7. 5*75mm expand screw set
8. screw eye for 5*75mm expand screw
9. bracket sliding slot
10. exterior support bracket
11. sliding slot block

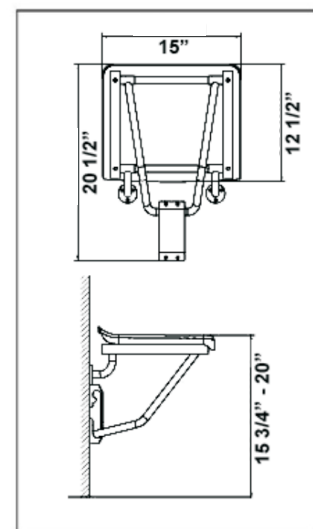


Attention

Max capacity: 160kg
Install to flat concrete wall

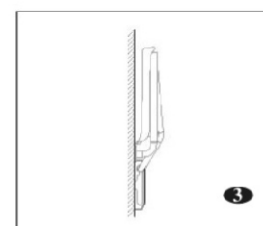
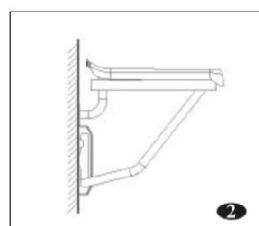
Packing list

Number	Name of components	Quantity	remark
1	Seat components set	1	
2	Bracket slot	1	
3	5*50mm expand bolt set	6	
4	5*75mm expand bolt set	5	
5	Installation manual	1	
6	Eligibility certificate	1	



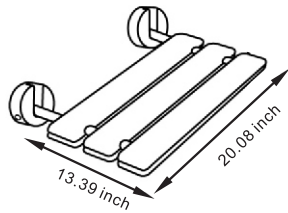
Installation step

1. Place the seat (02) face to the wall (01), keep straight, bottom 15.7-19.7 inch vertical above the ground. Left and right support brackets (03) abut against the edge of the seat, and place the fix mount of the brackets (04) abut against to the wall, mark down all 6 screw eyes (05), take down the seat (02), use 8mm drill to drill 50mm deep holes on marked places, insert expand screw caps to those holes. (see figure 1)
2. Put seat into place, screw down left and right support brackets (04) using 5*50mm screw (06) to those expand screw caps. (see figure 1)
3. Place the bracket sliding slot (09) on top of the exterior support bracket, notice the side with block should be on top. Lower the seat (02) to level (or the front a bit higher), move the slot (09) up along the wall to vertex, so the bottom is in the middle of exterior support bracket (10), keep it vertical, mark down 4 places for expand screw (08), close the seat (02), drill 60mm deep hole with 8mm drill, then insert expand screw cap (07) into those holes. (see figure 2)
4. The slot (09) should still seat on top of the exterior support brackets (10), screw down 5*75mm screws (07) into those expand screw caps, tight up all now ready for use. (see figure2) expand screws, lower the seat (02), it is now ready for use (see figure 3)



SHOWER SEAT INSTALLATION INSTRUCTIONS

CAUTION : MAXIMUM WEIGHT CAPACITY 100kg



PARTS:

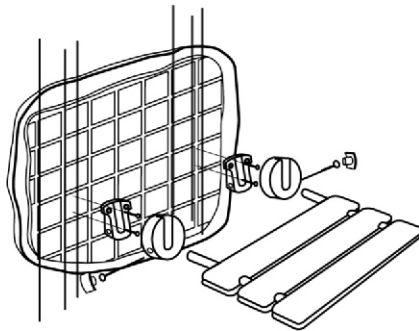
- 1 - SEAT ASSEMBLY
- 8 - FLAT HEAD SCREWS
- 8 - PLASTIC WALL PLUGS
- 2 - WALL BRACKETS
- 2 - WALL BRACKET COVERS
- 2 - MOUNTING PINS
- 2 - CAPS

SAFETY NOTICE:

The mounting brackets must be anchored to a solid structure ensuring a safe and secure installation. As a minimum standard, follow recommended installation below.

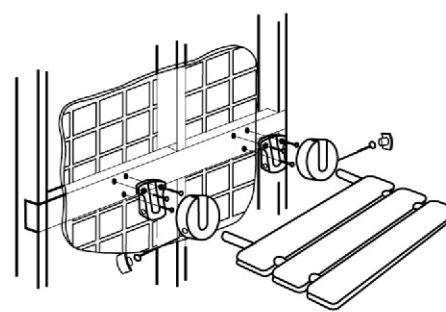
INSTALLATION (Refer to illustrations)

Drill 4 or 6 holes, whichever is required for installation using template provided. Secure wall brackets to the wall as shown below. Place wall bracket covers over brackets and secure seat assembly in place with the mounting pins. After assembly is completed fit caps into pin holes.



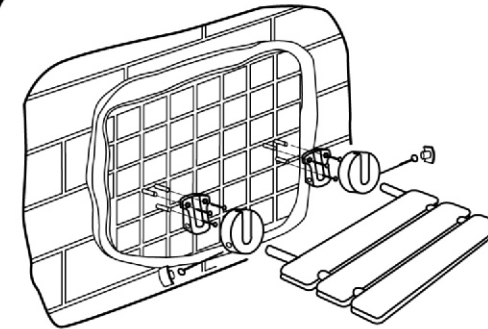
1. STUD WALL (mounting wood)

406mm on centre (use template provided) use (4) flat head screws provided for this installation. Screws should penetrate into the studs a minimum of 35mm. A 3mm dia masonry drill should be used to drill through tile and board for screw clearance hole.



2. WOOD BATON (mounting wood)

406mm on centre (use template provided) Wood Baton to be 150mm x 50mm or equivalent and must be an adequate anchor base, secured into studs. Use (6) flat head screws provided for this installation. Screws should penetrate into the Baton a minimum of 35mm. A 3mm dia masonry drill should be used to drill through tile and board for screw clearance hole.



3. MOUNTING (Masonry, brick or block wall)

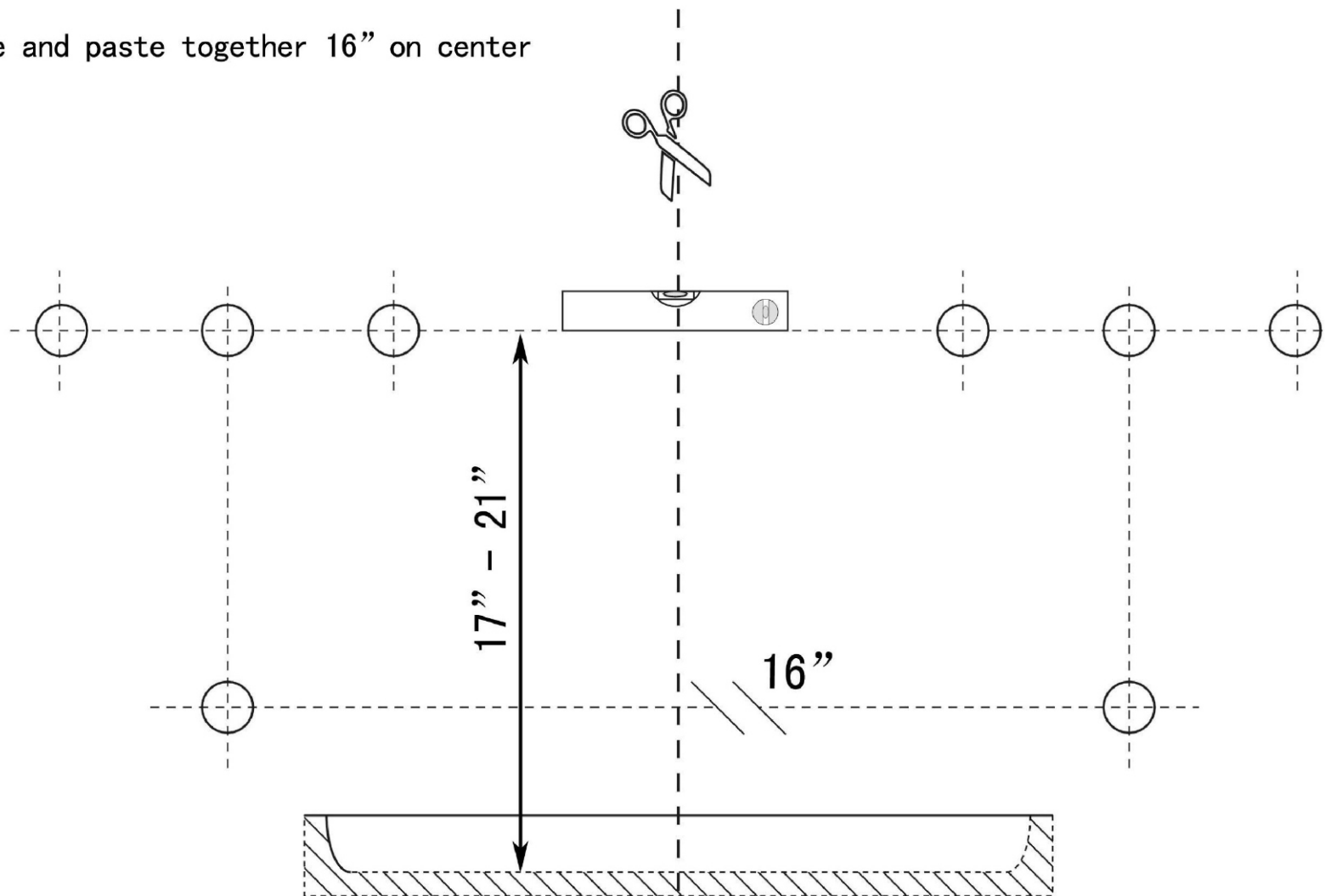
406mm on centre (use template provided). Install (6) plastic wall plugs provided for this installation. A 8mm diameter masonry drill should be used for this application.

Note:

1. The bolt with the hex head on two rods is useful for us to adjust seat level.
2. If the supplied screw/plugs are not suitable for installing, you must select the appropriate ones.

Cut template and paste together 16" on center

installing template



Note:

In order to clean & maintain the products in good condition, the cleaning agent (if necessary to be used) that does not contain the acid substance should be suggested.