

# Assembly Instruction

---

## Koji Aluminum Patio Sectional - Left

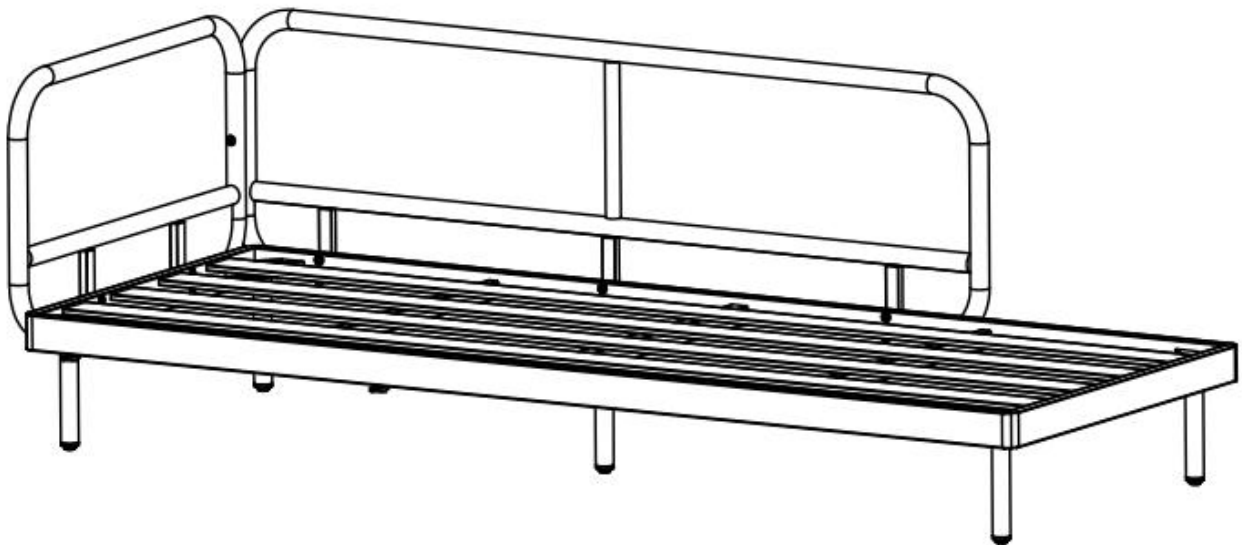
Your furniture requires assembly prior to use. It is important that you read the entire assembly instructions to become familiar with the unit before you set up this product.

### **Safety Warning and Precautions**

**WARNING:** When setting up your furniture, basic precautions should always be followed to reduce risk of personal injury and damage to the product.

Read all instructions before assembly and usage this product.

1. Select ideal location. Set out all parts on a clear and level surface prior to assembly. Ideally, the furniture should be set up in the desired location to avoid moving it after assembly.
2. Use caution. During all the processes of assembling, especially when lifting heavy or large parts, pay attention to safety.
3. Tools and Assistance. An adjustable spanner is required for assembly. It is recommended 2 people assist with assembly.
4. Check all parts before assembling, ensure you have all parts detailed in the parts list on Page 2.
5. Refer to assembly diagram. During assembly, refer to the assembly instructions on following pages.
6. Caution. Keep children away from work area during assembly. Do not allow children to handle parts or tools while assembling.








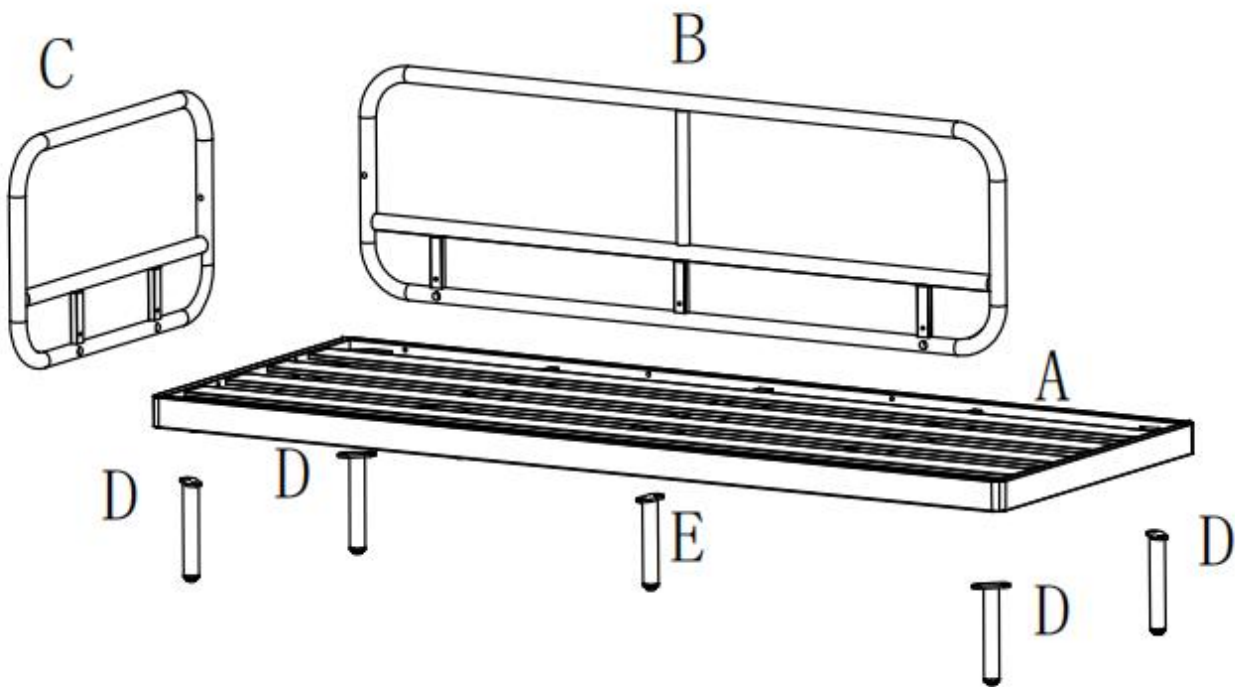
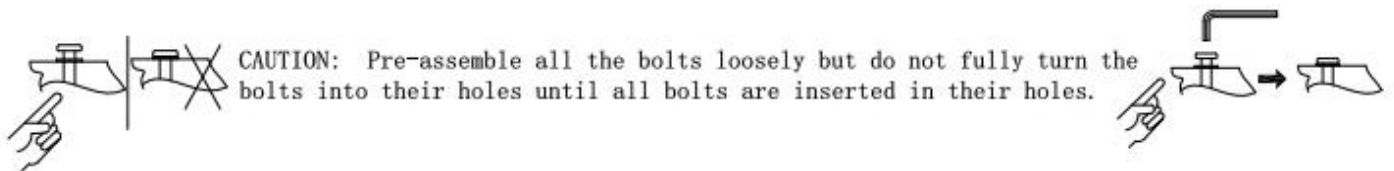
# Assembly Instruction

## Koji Aluminum Patio Sectional - Left

### FITTINGS IDENTIFICATION

Part #	M645	M830	M620	X	Z
Description:	Screw M6*45	Screw 8*30	Screw 6*20	Gasket	Allen Wrench

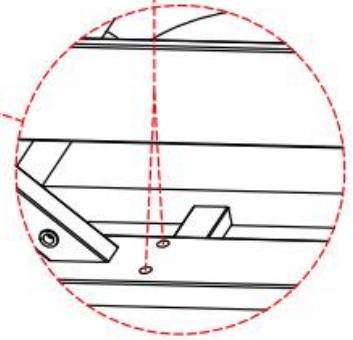
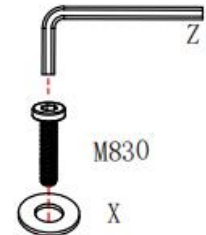
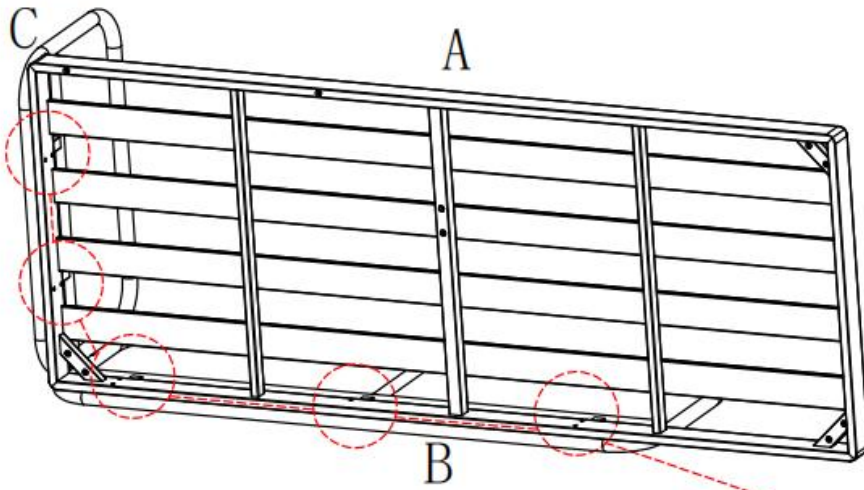
M645	M830	M620	X	Z
				
M6*45	M8*30	M6*20	Ø16*Ø8.5*1.0	
1PCS	9PCS	10PCS	20PCS	1PCS



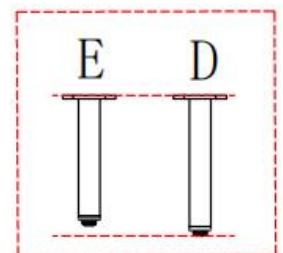
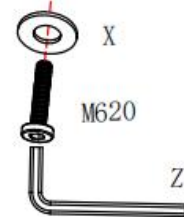
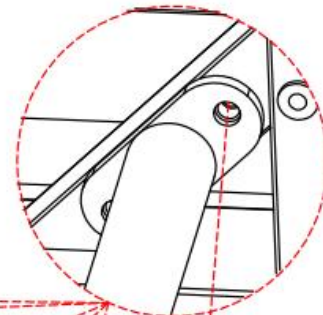
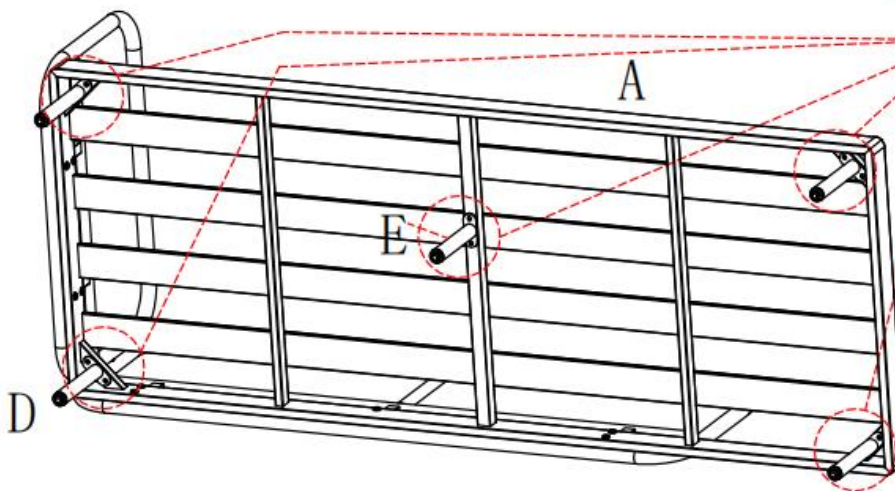
# Assembly Instruction

## Koji Aluminum Patio Sectional - Left

### STEP 1



### STEP 2





## Koji Aluminum Patio Sectional - Left

### Steps:

1. Attach the Part B&C to the Part A with Screw M8\*30 (Part M830) and gasket (Part X) by using the Allen Wrench (Part Z) .
2. Attach the Part E&D to the Part A with Screw M6\*20 (Part M620) and gasket (Part X) by using the Allen Wrench (Part Z) . Please kindly noted that E and D are different.
3. Attach the Part C to the Part B with Screw M6\*45 (Part M645) and gasket (Part X) by using the Allen Wrench (Part Z) .
4. Tighten all screws. Your Left-arm Chaise Lounger is ready to use. (Note: Pre-assemble all the bolts loosely but do not fully turn the bolts into their holes until all bolts are inserted in their holes.)
5. Periodically check and make sure that all screws are fully tightened.