

CARE INSTRUCTIONS

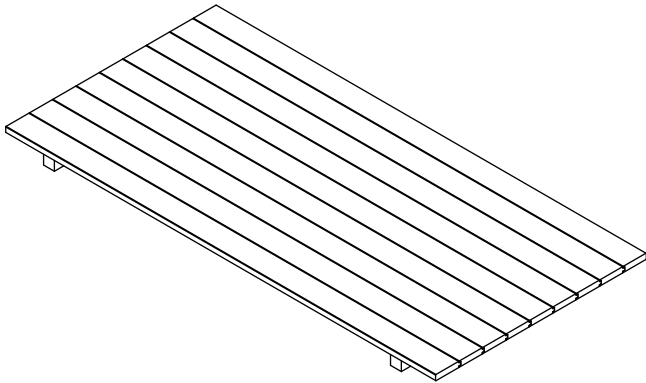
Thank you for choosing SIMPLE POTTING BENCH.

With a little care and maintenance, the SIMPLE POTTING BENCH will provide you with comfort and enjoyment for many years to come!

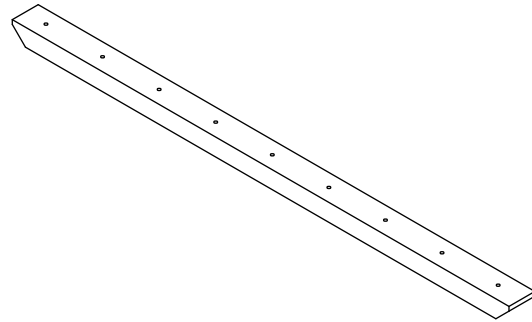
- To clean panels, use clean water on a damp cloth.
- When assembling SIMPLE POTTING BENCH, please handle all the panels and/or hardware with care to avoid any possibilities of damages and/or injuries.
- Cover during harsh weather to keep it from weathering.
- It is highly recommended that you treat the SIMPLE POTTING BENCH with a weatherproof coating of stain once a year, to increase life expectancy and maintain the look.



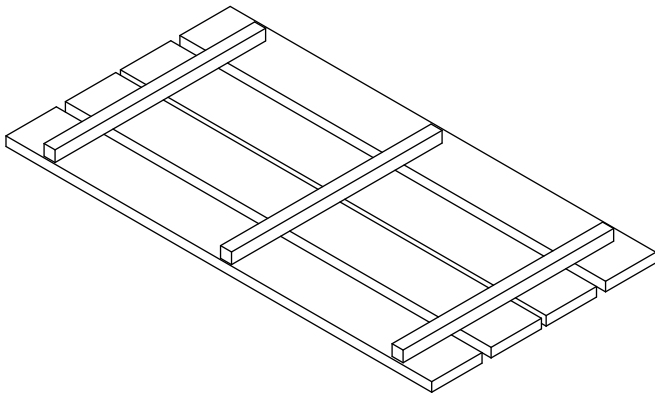
NOTE: Please read all instructions carefully before starting assembly. Also, we recommend that the unit is fully assembled on a level surface. Two people are recommended to assemble this product. **DO NOT** over torque screws and bolts.

**1** TOP

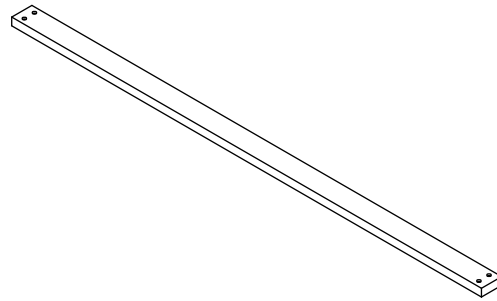
X 1PC

**2** TOP MIDDLE SUPPORT

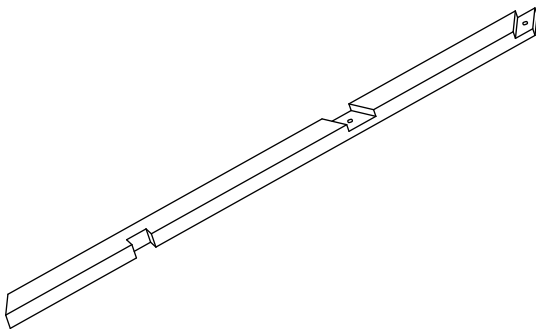
X 1PC

**3** BOTTOM SHELF

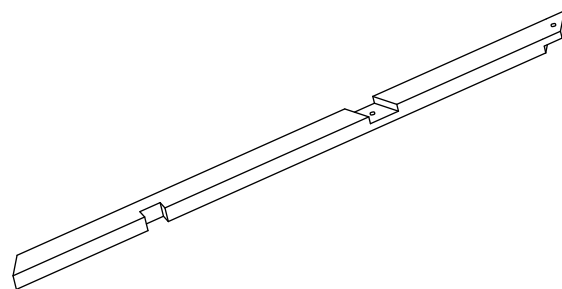
X 1PC

**4** LEG HORIZONTAL CROSSER

X 3PCS

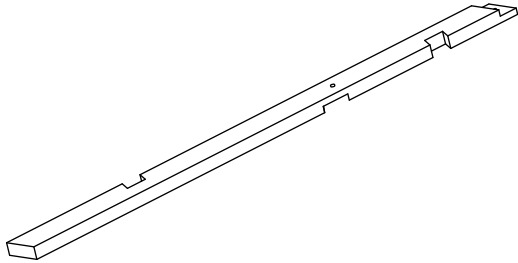
**5** RIGHT SIDE X-CROSSER

X 1PC

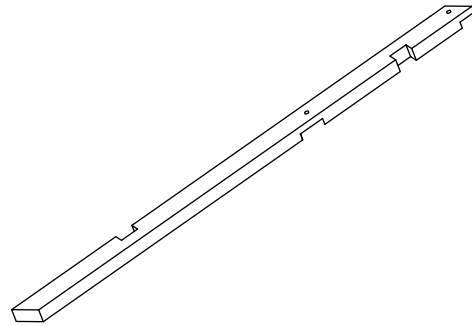
**6** LEFT SIDE X-CROSSER

X 1PC

NOTE: Please read all instructions carefully before starting assembly.
 Also, we recommend that the unit is fully assembled on a level surface.
 Two people are recommended to assemble this product.
 DO NOT over torque screws and bolts.

**7**

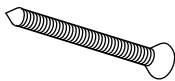
RIGHT SIDE X-CROSSER

X **1PC****8**

LEFT SIDE X-CROSSER

X **1PC**

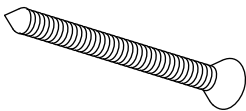
A



SCREW 3.5X30

X **9+1PCS**

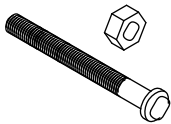
B



SCREW 3.5X40

X **12+2PCS**

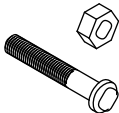
C



BOLT M6X60

X **4+1PCS**

D

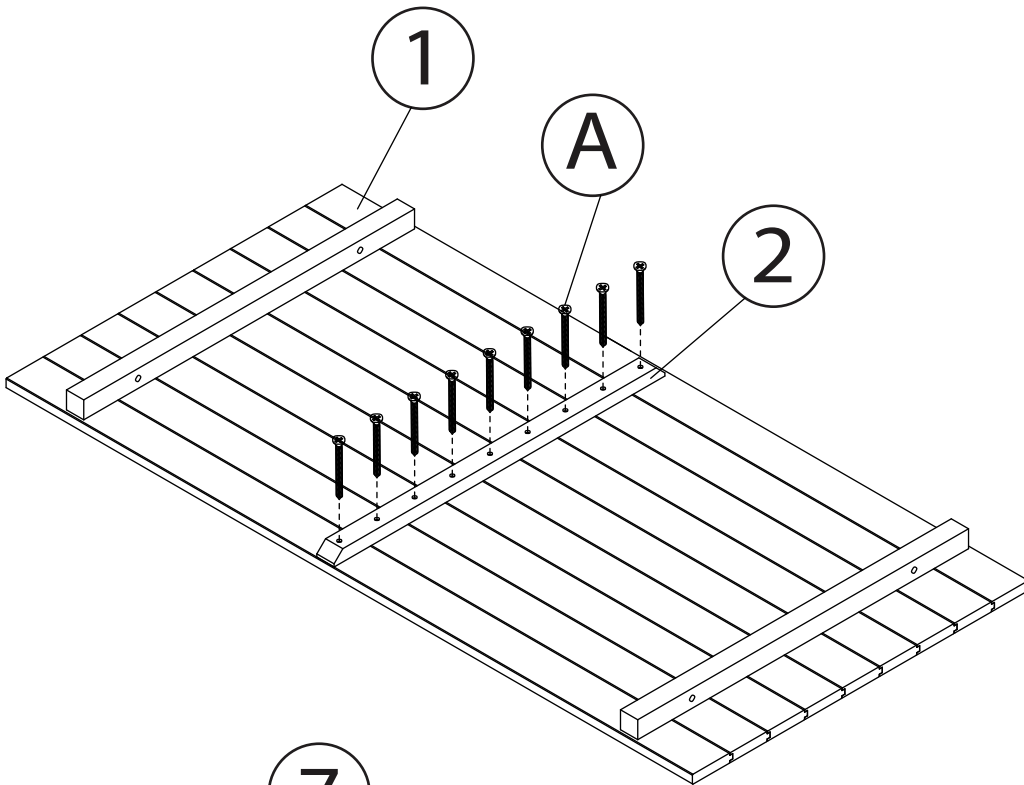


BOLT M6X40

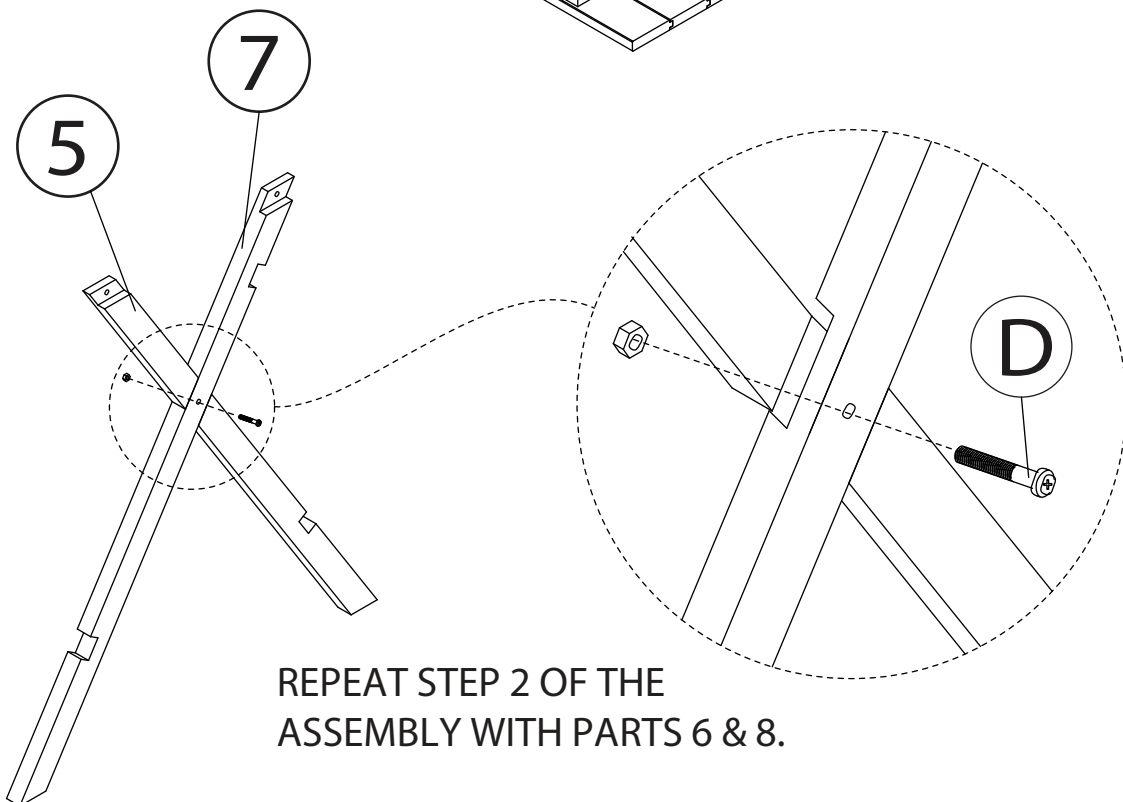
X **2+1PCS**

NOTE: Please read all instructions carefully before starting assembly.
 Also, we recommend that the unit is fully assembled on a level surface.
 Two people are recommended to assemble this product.
 DO NOT over torque screws and bolts.

1

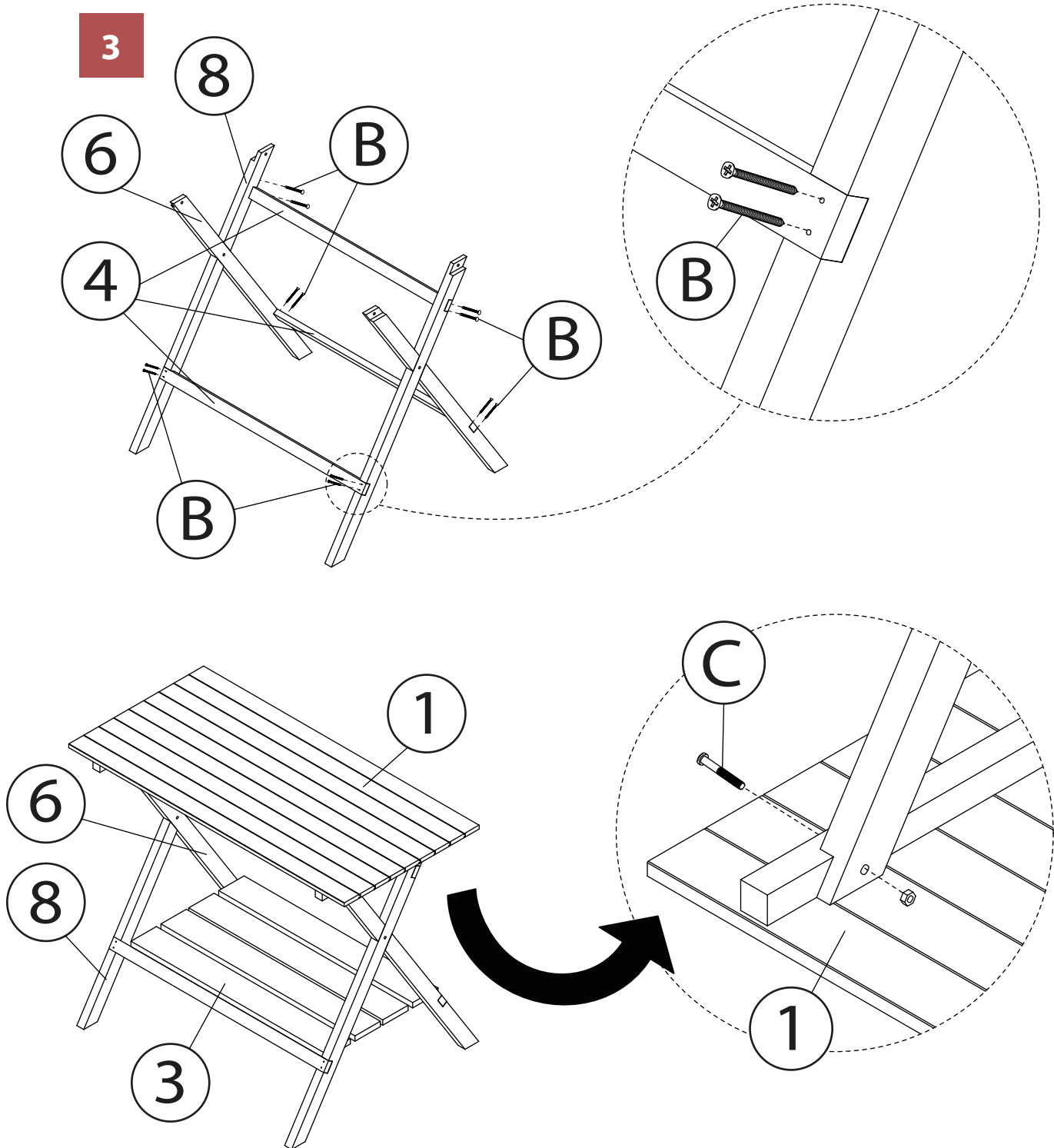


2



REPEAT STEP 2 OF THE
ASSEMBLY WITH PARTS 6 & 8.

NOTE: Please read all instructions carefully before starting assembly.
Also, we recommend that the unit is fully assembled on a level surface.
Two people are recommended to assemble this product.
DO NOT over torque screws and bolts.



NOTE: Please read all instructions carefully before starting assembly. Also, we recommend that the unit is fully assembled on a level surface. Two people are recommended to assemble this product. DO NOT over torque screws and bolts.