

ASSEMBLY INSTRUCTIONS

Item No : WF212844

Description : QUEEN BED

Thank you for purchasing this quality product. Be sure to check all packing material carefully for small part that may have come loose inside the carton during shipment.

PART LIST :

No.	Description	Sketch	Quantity
A	Headboard		1PC
B	Footboard		1PC
C	Side Rail Left		2PCS
D	Side Rail Right		2PCS
E	Wings L/R		2PCS
F	Leg Pillar L/R		2PCS
G	Bun Foot		2PCS
H	Side Rail Support Leg		2PCS
J	Slat Support Leg		4PCS
K	Slat		4PCS

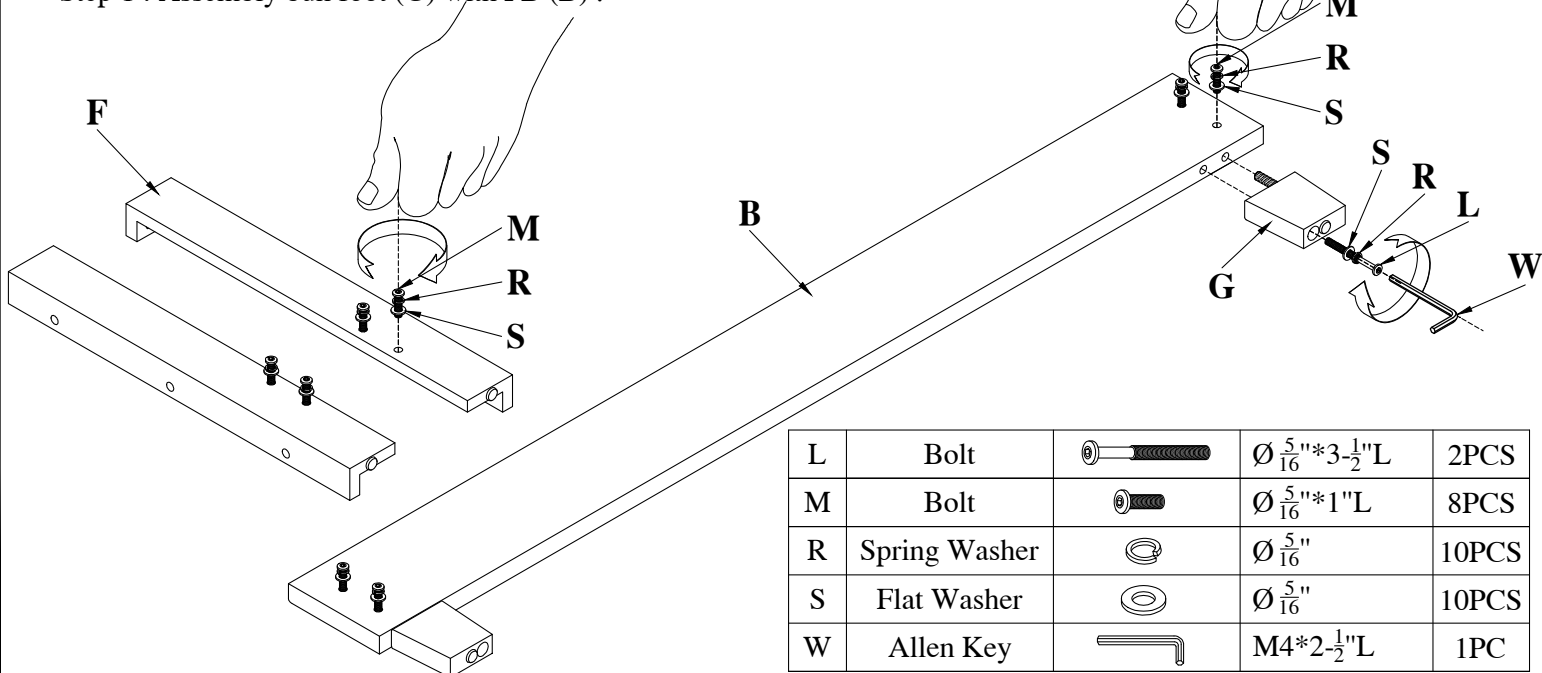
TOOLS REQUIRED (Not provided)



HARDWARE LIST :

No.	Description	Sketch	Size	Quantity
L	Bolt		$\varnothing \frac{5}{16} \text{''} * 3\text{-}\frac{1}{2} \text{''} \text{L}$	2PCS
M	Bolt		$\varnothing \frac{5}{16} \text{''} * 1 \text{''} \text{L}$	8PCS
N	Bolt		$\varnothing \frac{5}{16} \text{''} * 1\text{-}\frac{5}{8} \text{''} \text{L}$	8PCS
O	Bolt		$\varnothing \frac{1}{4} \text{''} * 1\text{-}\frac{5}{8} \text{''} \text{L}$	8PCS
P	Thread Bolt		$\varnothing \frac{5}{16} \text{''} * 2\text{-}\frac{1}{4} \text{''} \text{L}$	4PCS
Q	Hexagonal Nut		$\varnothing \frac{5}{16} \text{''}$	4PCS
R	Spring Washer		$\varnothing \frac{5}{16} \text{''}$	22PCS
S	Flat Washer		$\varnothing \frac{5}{16} \text{''}$	22PCS
T	Spring Washer		$\varnothing \frac{1}{4} \text{''}$	8PCS
U	Flat Washer		$\varnothing \frac{1}{4} \text{''}$	8PCS
V	Open Wrench		M12	1PC
W	Allen Key		M4*2- $\frac{1}{2} \text{''} \text{L}$	1PC
X	Screw		$\varnothing 8 * 1\text{-}\frac{1}{4} \text{''} \text{L}$	8PCS
Y	Rear shield HB			1PC

Step 1 : Assembly bun foot (G) with FB (B) .



L	Bolt		$\varnothing \frac{5}{16} \text{''} * 3\text{-}\frac{1}{2} \text{''} \text{L}$	2PCS
M	Bolt		$\varnothing \frac{5}{16} \text{''} * 1 \text{''} \text{L}$	8PCS
R	Spring Washer		$\varnothing \frac{5}{16} \text{''}$	10PCS
S	Flat Washer		$\varnothing \frac{5}{16} \text{''}$	10PCS
W	Allen Key		M4*2- $\frac{1}{2} \text{''} \text{L}$	1PC

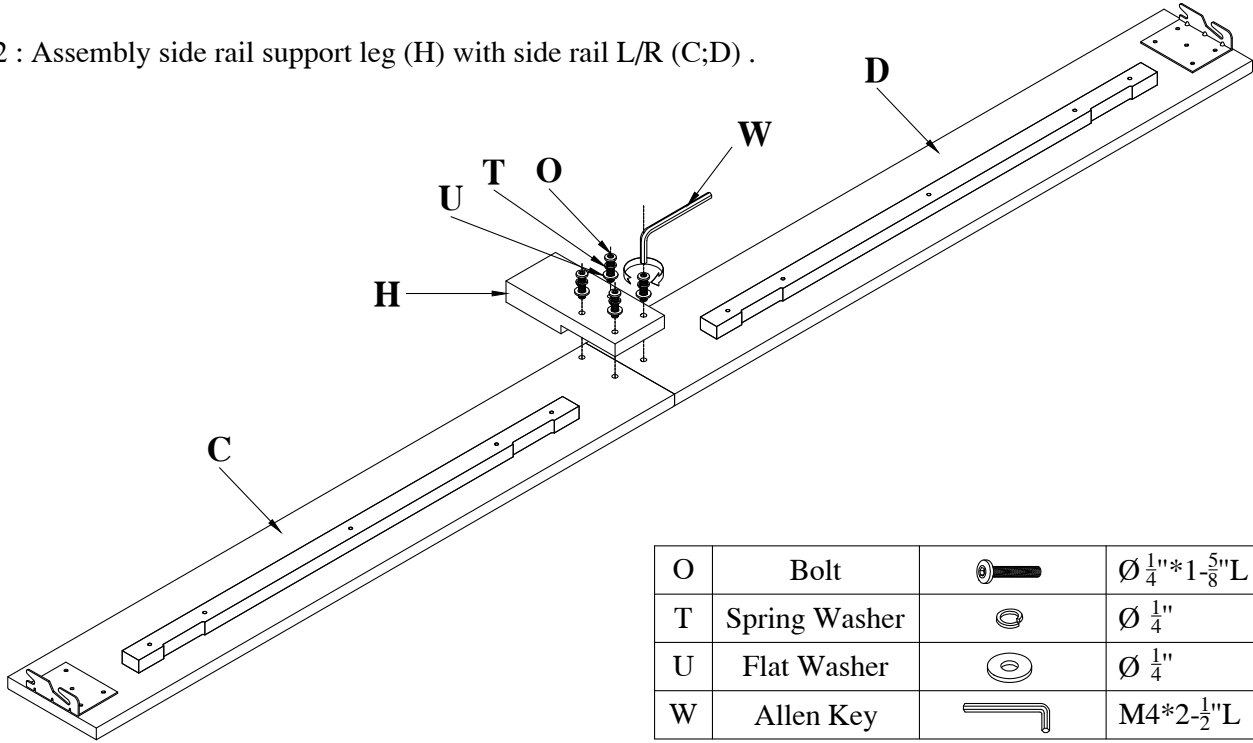
ASSEMBLY INSTRUCTIONS





Item No : WF212844

Description : QUEEN BED

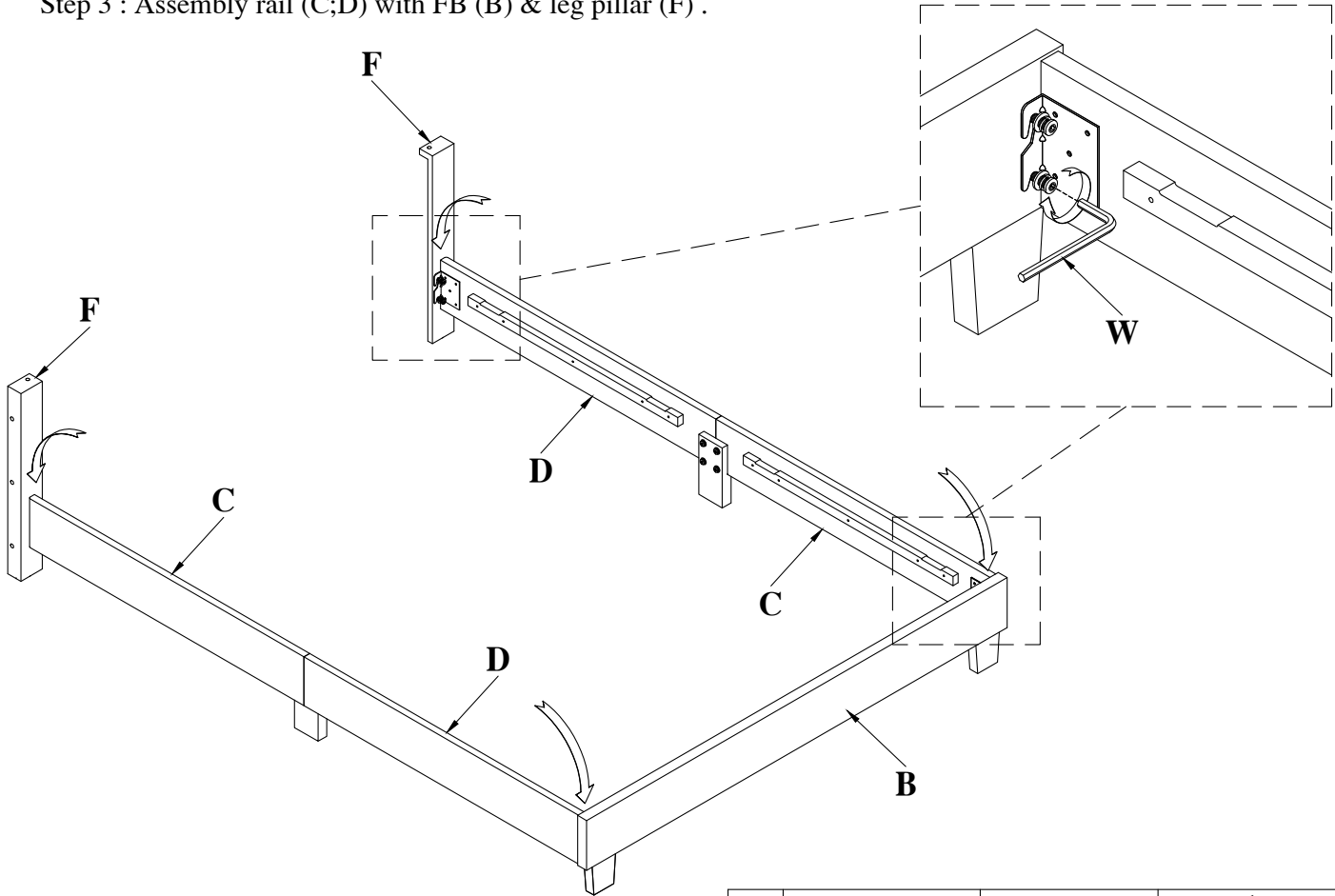
Thank you for purchasing this quality product. Be sure to check all packing material carefully for small part that may have come loose inside the carton during shipment.


Step 2 : Assembly side rail support leg (H) with side rail L/R (C;D) .



O	Bolt		$\text{Ø}\frac{1}{4} \times 1\frac{5}{8} \text{L}$	8PCS
T	Spring Washer		$\text{Ø}\frac{1}{4}$	8PCS
U	Flat Washer		$\text{Ø}\frac{1}{4}$	8PCS
W	Allen Key		$\text{M4} \times 2\frac{1}{2} \text{L}$	1PC

Step 3 : Assembly rail (C;D) with FB (B) & leg pillar (F) .



W	Allen Key		$\text{M4} \times 2\frac{1}{2} \text{L}$	1PC
---	-----------	---	--	-----





ASSEMBLY INSTRUCTIONS

Item No : WF212844




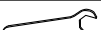




Description : QUEEN BED

Thank you for purchasing this quality product. Be sure to check all packing material carefully for small part that may have come loose inside the carton during shipment.

Step 4 : Assembly headboard (A) with leg pillar (F) .

N	Bolt		$\text{Ø} \frac{5}{16} \text{''} * 1 \frac{5}{8} \text{''} \text{L}$	2PCS
R	Spring Washer		$\text{Ø} \frac{5}{16} \text{''}$	2PCS
S	Flat Washer		$\text{Ø} \frac{5}{16} \text{''}$	2PCS
P	Thread Bold		$\text{Ø} \frac{5}{16} \text{''} * 2 \frac{1}{4} \text{''} \text{L}$	4PCS

Step 5 : Assembly Wings L/R (E) with HB (A) & leg pillar (F) .

Q	Hexagonal Nut		$\text{Ø} \frac{5}{16} \text{''}$	4PCS
R	Spring Washer		$\text{Ø} \frac{5}{16} \text{''}$	4PCS
S	Flat Washer		$\text{Ø} \frac{5}{16} \text{''}$	4PCS
V	Open Wrench		M12	1PC
N	Bolt		$\text{Ø} \frac{5}{16} \text{''} * 1 \frac{5}{8} \text{''} \text{L}$	6PCS
R	Spring Washer		$\text{Ø} \frac{5}{16} \text{''}$	6PCS
S	Flat Washer		$\text{Ø} \frac{5}{16} \text{''}$	6PCS
W	Allen Key		M4*2- $\frac{1}{2}$ ''L	1PC

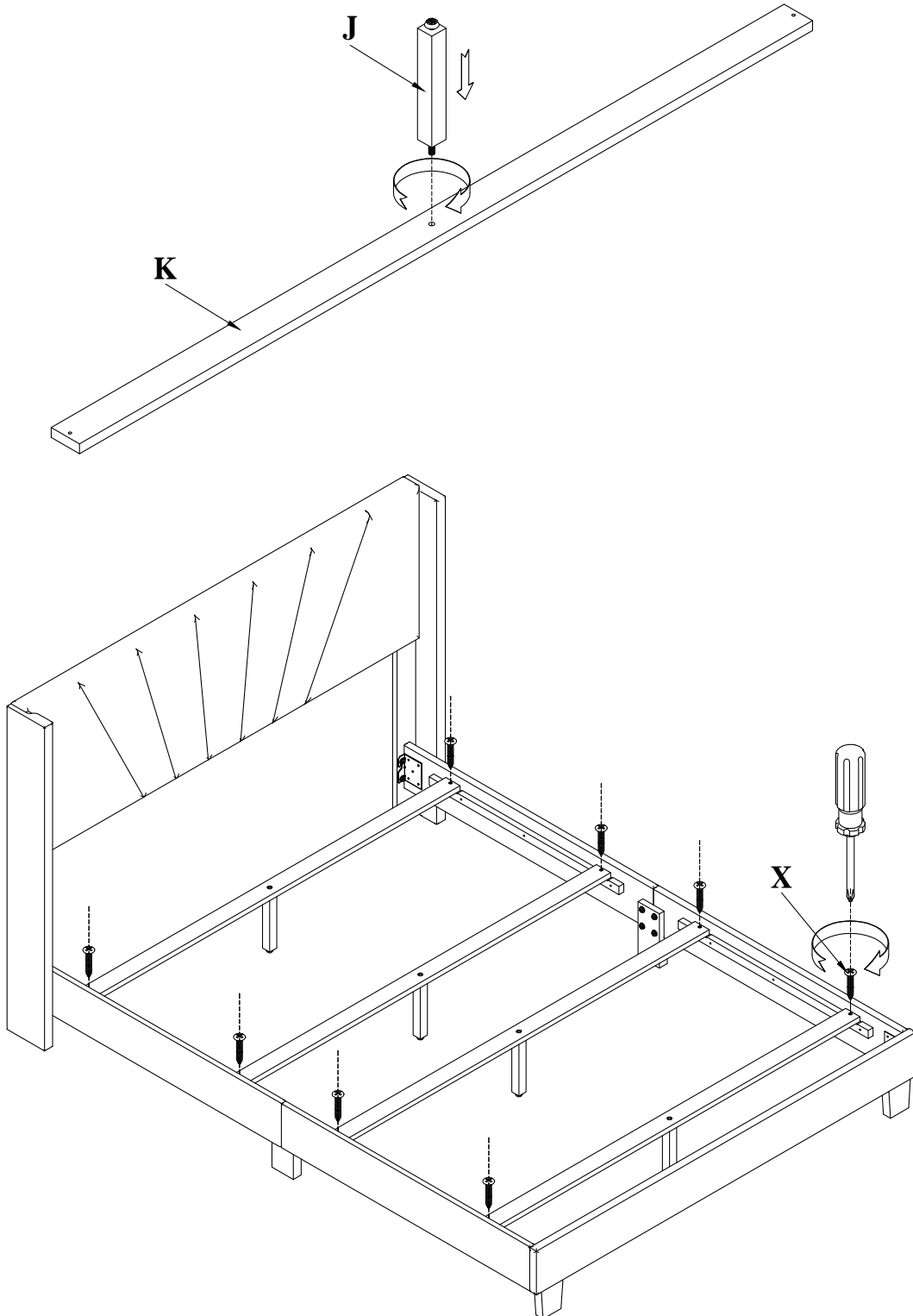
ASSEMBLY INSTRUCTIONS

Item No : WF212844

Description : QUEEN BED

Thank you for purchasing this quality product. Be sure to check all packing material carefully for small part that may have come loose inside the carton during shipment.

Step 6 : Assembly slat support leg (J) with slat (K) .



X	Screw		Ø8*1-¼"L	8PCS
---	-------	---	----------	------

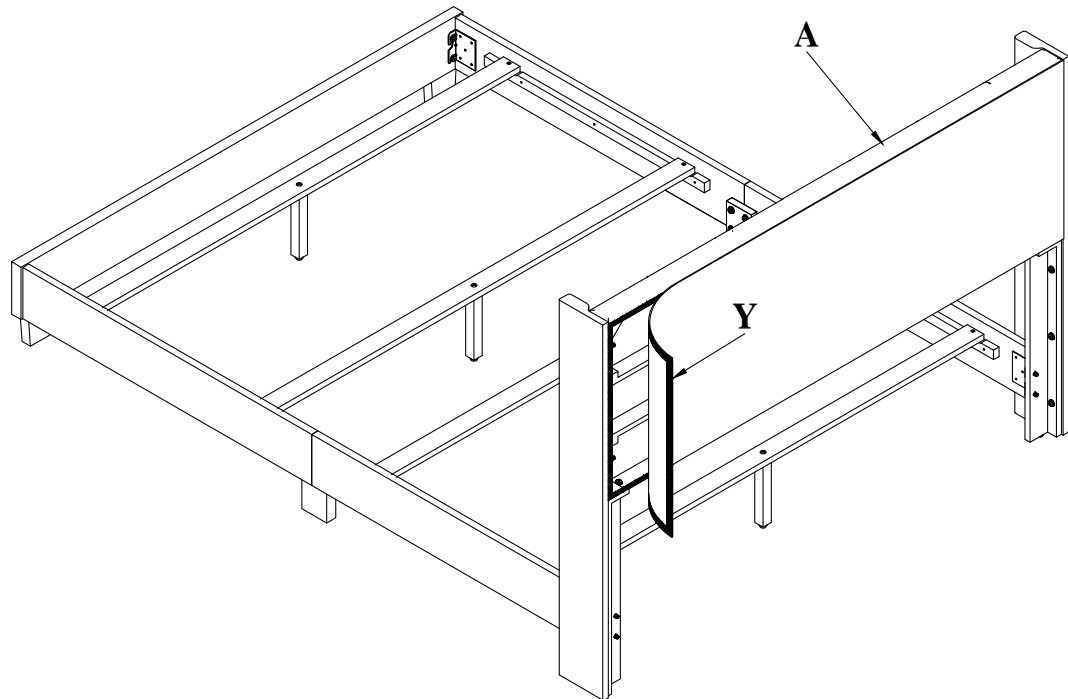
ASSEMBLY INSTRUCTIONS

Item No : WF212844

Description : QUEEN BED

Thank you for purchasing this quality product. Be sure to check all packing material carefully for small part that may have come loose inside the carton during shipment.

Step 7 : Assembly rear shield (Y) with headboard (A) .



Step 8 : Completed assembly .

