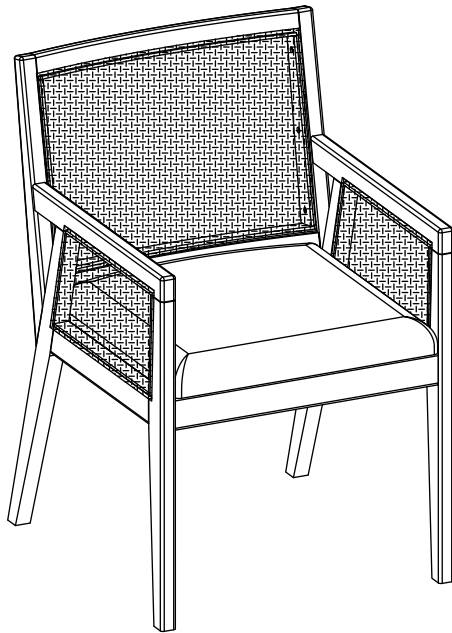


# MALIK RATTAN DINING CHAIR

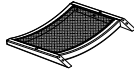
Assembly Instructions



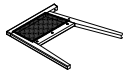
Everything we make is incredibly simple to set up, including your new chair. You won't need any additional tools.

## Parts List

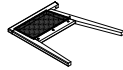
A x 1  
BACK FRAME



B x 1  
SIDE FRAME (LEFT)



C x 1  
SIDE FRAME (RIGHT)



D x 1  
SEAT CUSHION



## Hardware List

HW1 x 6  
Bolt M6x40mm



HW2 x 4  
Bolt M6x65mm



HW3 x 4  
Wooden cap  $\varnothing$ 7mm



HW4 x 2  
Wooden dowel  $\varnothing$ 10mm



HW5 x 4  
Cross nut 6mm

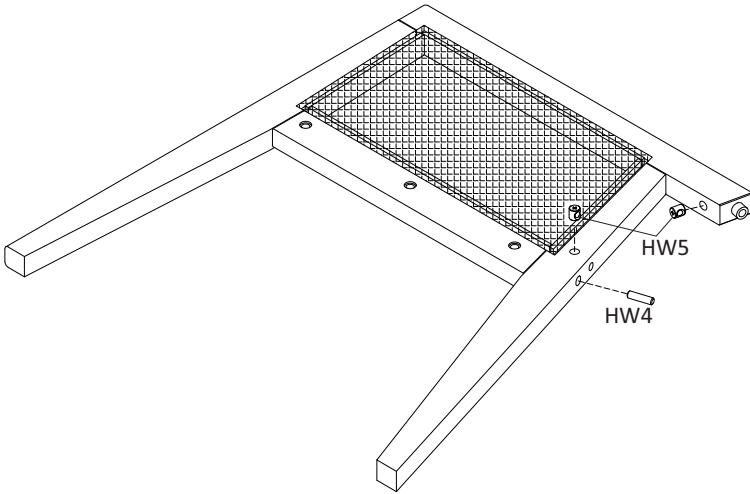


HW6 x 1  
Allen key



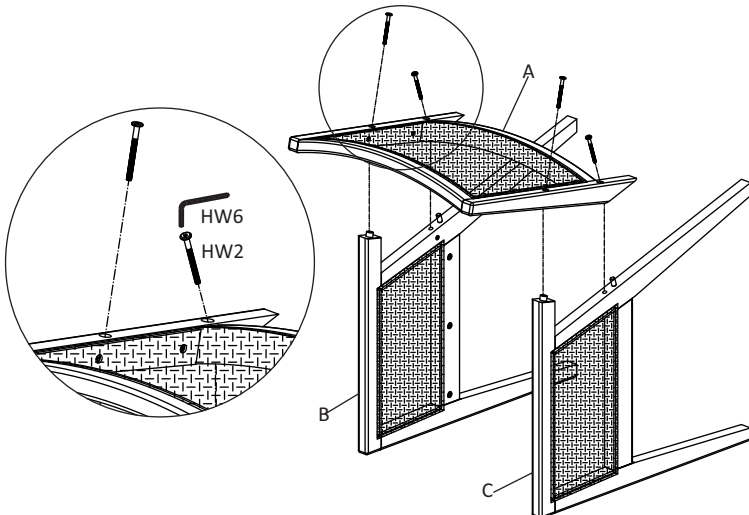
1

Place 2 of the cross nuts (HW5) and 1 of the wooden dowels (HW4) into the holes in the Side frame left (B) as shown. Repeat this step for the side frame right (C).



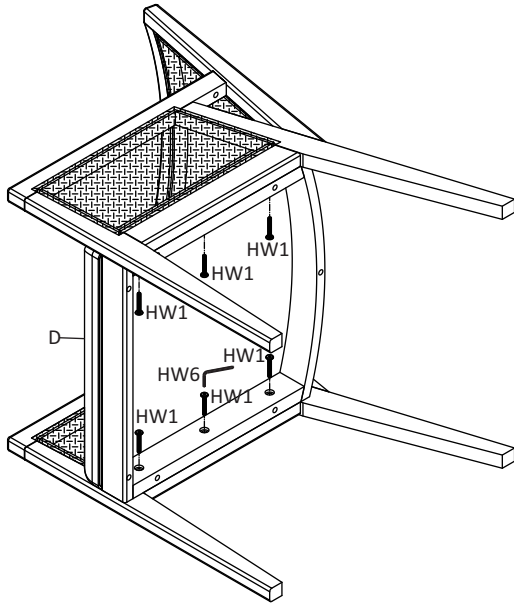
2

Insert the other end of the wooden dowels (HW4) into the dowel holes in the back frame (A). Attach the back frame (A) to the side frames (B&C) by using the Allen Key (HW6) to screw in the bolts (HW2) in the 4 spots shown below.



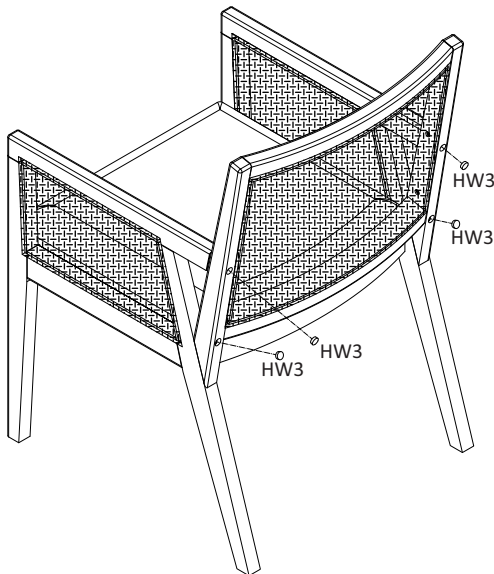
3

Align the bolt holes in the seat cushion (D) to the holes in the assembled base. Use the Allen Key (HW6) to screw in the bolts (HW1) in the 6 spots shown below.



4

Insert the wooden caps (HW3) into the screw holes to cover the bolts.



4

