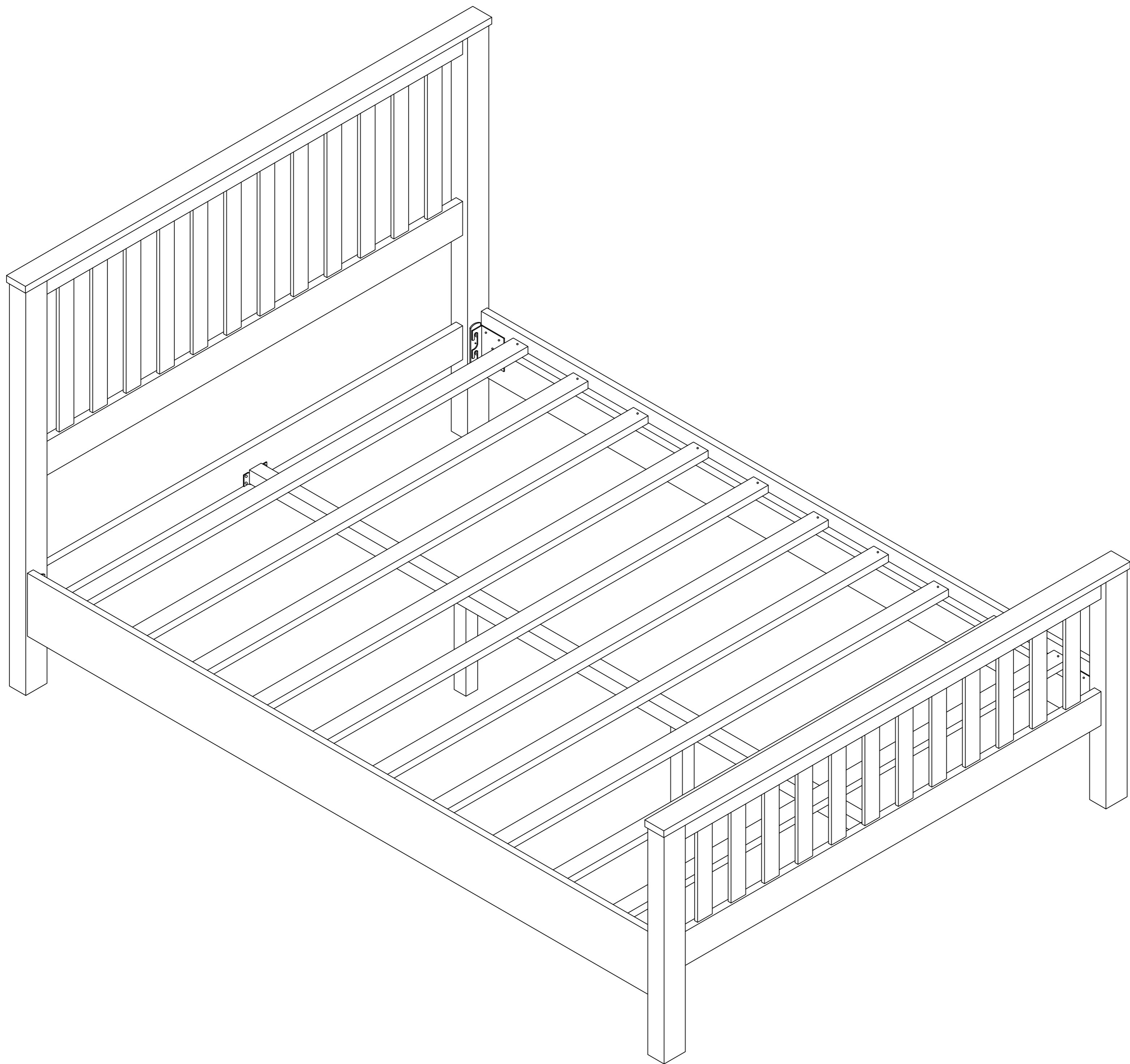


# ASSEMBLY INSTRUCTIONS

**Item No : WF294586AAG**

**Description : FULL BED**

Thank you for purchasing this quality product. Be sure to check all packing material carefully for small part that may have come loose inside carton during shipment.



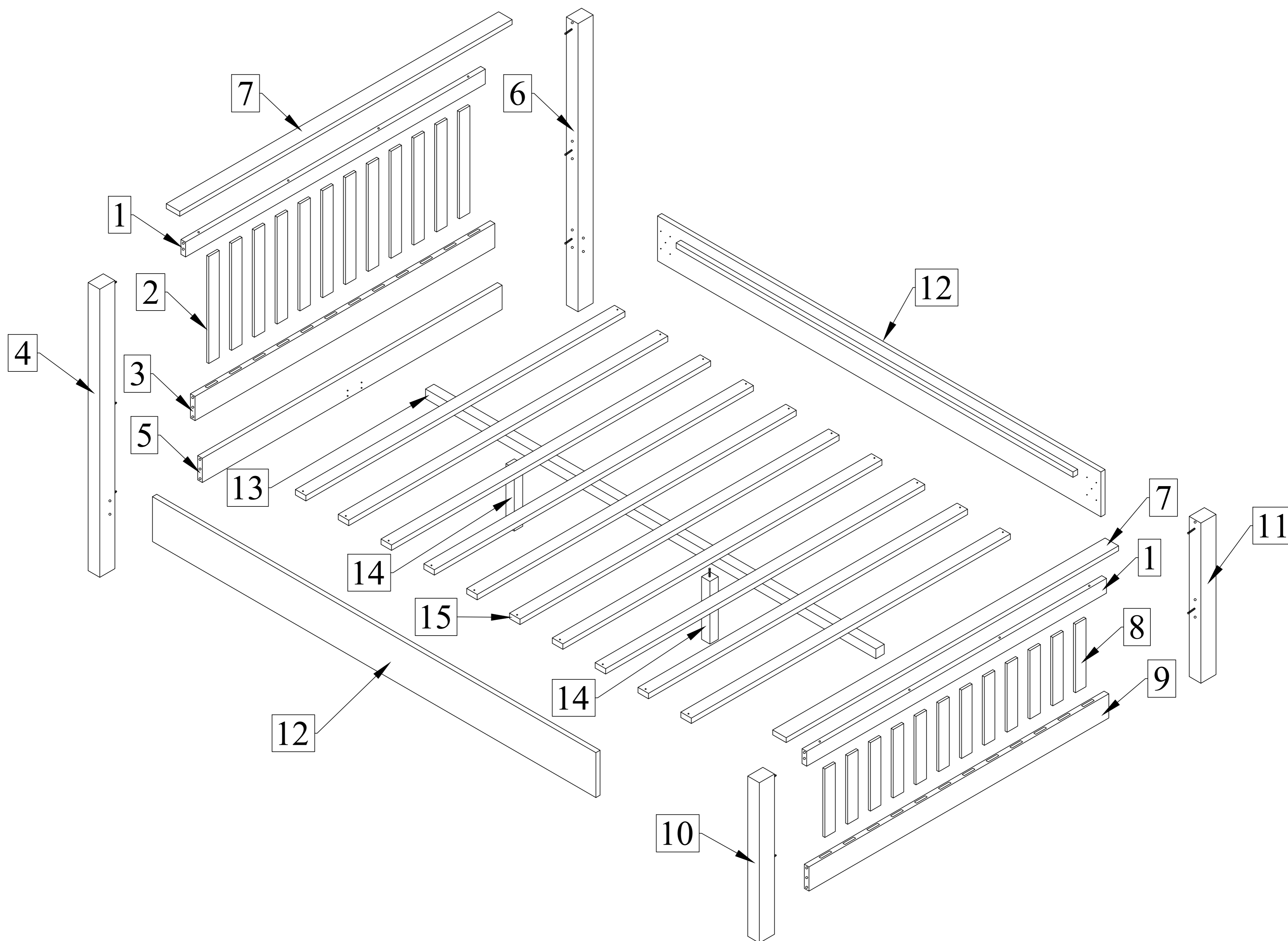
**WF294586AAG**

# ASSEMBLY INSTRUCTIONS

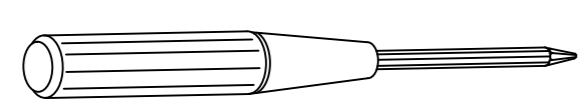
Item No : WF294586AAG

Description : FULL BED

Thank you for purchasing this quality product. Be sure to check all packing material carefully for small part that may have come loose inside carton during shipment.



## TOOLS REQUIRED (Not provided)



Screwdriver

## Hardware List

| No. | Description        | Sketch | Quantity |
|-----|--------------------|--------|----------|
| A   | Wood Dowel M8x30MM |        | 16PCS    |
| B   | U Bracket          |        | 2PCS     |
| C   | Screw M3.5 x 16MM  |        | 44PCS    |
| D   | Minifix + Cap      |        | 8SETS    |
| E   | Iron Plate         |        | 4PCS     |
| F   | Bed Bracket - 2L2R |        | 4PCS     |
| G   | Hex Nut            |        | 10PCS    |
| H   | Spring Washer      |        | 10PCS    |
| I   | Spanner            |        | 1PC      |
| J   | Bolt               |        | 8PCS     |
| K   | Allen Key M5       |        | 1PC      |
| L   | Screw M4 x 32MM    |        | 20PCS    |

## Part List

| No. | Description              | Sketch | Quantity |
|-----|--------------------------|--------|----------|
| 1   | Upper Slats Support      |        | 2PCS     |
| 2   | HB Slats                 |        | 12PCS    |
| 3   | Lower Slats Support - HB |        | 1PC      |
| 4   | HB Pillar - L            |        | 1PC      |
| 5   | HB Support Rail          |        | 1PC      |
| 6   | HB Pillar - R            |        | 1PC      |
| 7   | Top Panel                |        | 2PCS     |
| 8   | FB Slats                 |        | 12PCS    |
| 9   | Lower Slats Support - FB |        | 1PC      |
| 10  | FB Pillar - L            |        | 1PC      |
| 11  | FB Pillar - R            |        | 1PC      |
| 12  | Bed Side Rail            |        | 2PCS     |
| 13  | Center Support Rail      |        | 1PC      |
| 14  | Center Support Leg       |        | 2PCS     |
| 15  | Bed Slats                |        | 10PCS    |

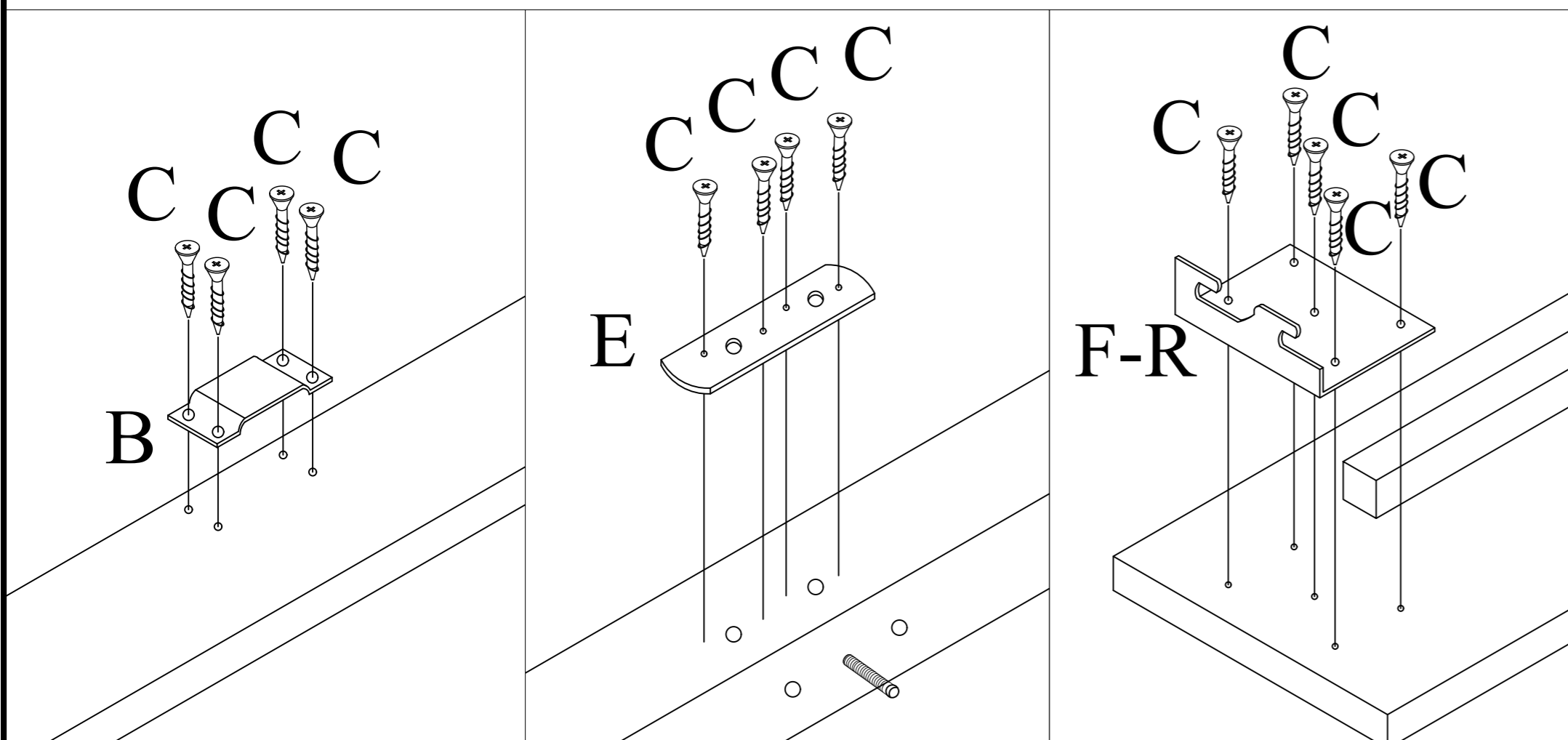
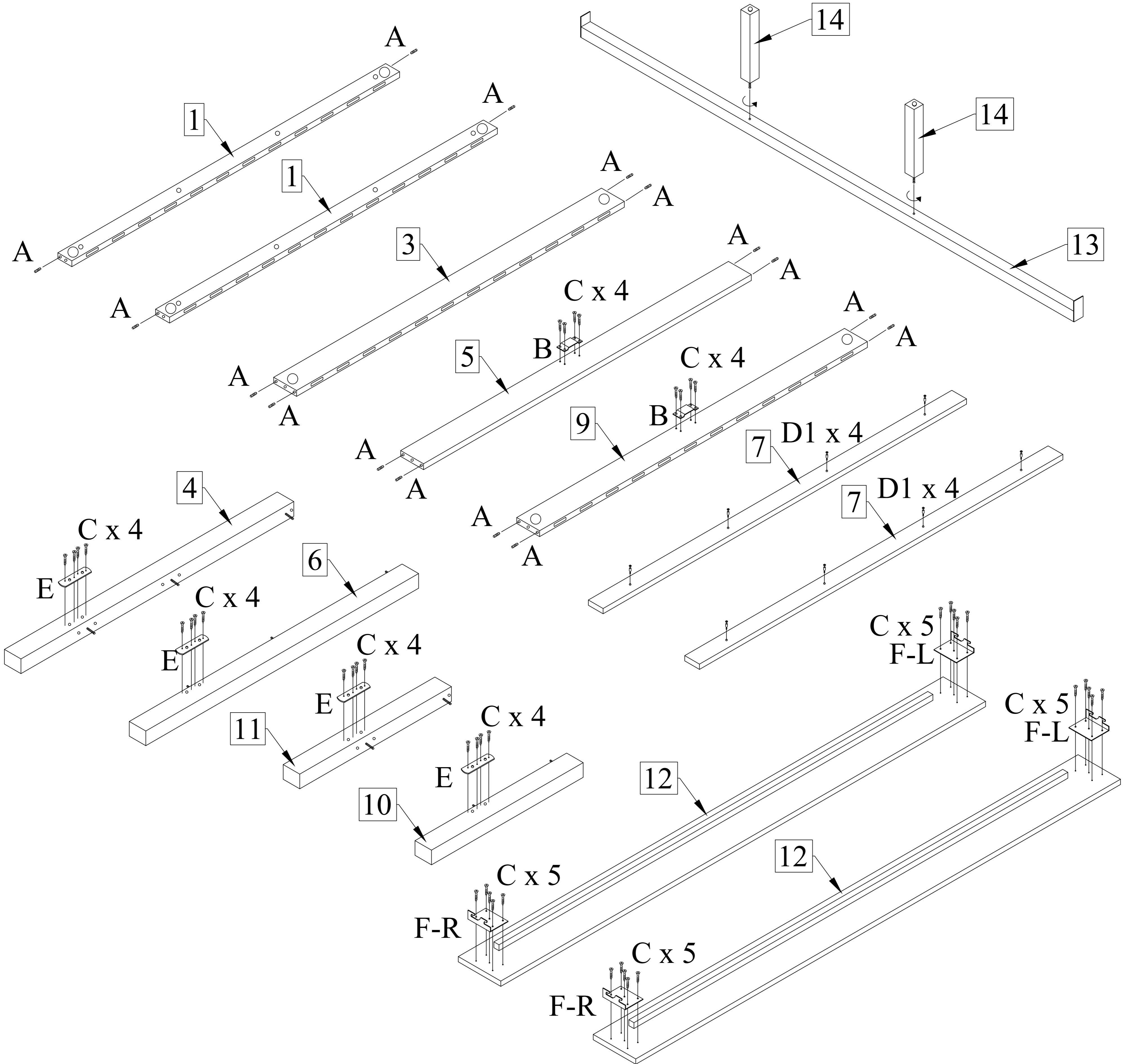
# ASSEMBLY INSTRUCTIONS

Item No : WF294586AAG

Description : FULL BED

Thank you for purchasing this quality product. Be sure to check all packing material carefully for small part that may have come loose inside carton during shipment.

Step 1 : Attach Wood Dowel M8 x30 MM (A) to Upper Slats Support (1), Lower Slats Support - HB (3), HB Support Rail (5) and Lower Slats Support - FB (9). Attach U Bracket (B), Iron Plate (E), and Bed Bracket (F) to parts (4,5,6,9,10,11,12) accordingly using Screw M3.5 x 16MM (C). Attach Minifix (D) to Top Panel (7).



|   |                    |        |       |
|---|--------------------|--------|-------|
| A | Wood Dowel M8x30MM |        | 16PCS |
| B | U Bracket          |        | 2PCS  |
| C | Screw M3.5x16MM    |        | 44PCS |
| D | Minifix            | D1     | 8PCS  |
| E | Iron Plate         |        | 4PCS  |
| F | Bed Bracket - 2L2R | FL  FR | 4PCS  |

# ASSEMBLY INSTRUCTIONS

Item No : WF294586AAG

Description : FULL BED

Thank you for purchasing this quality product. Be sure to check all packing material carefully for small part that may have come loose inside carton during shipment.

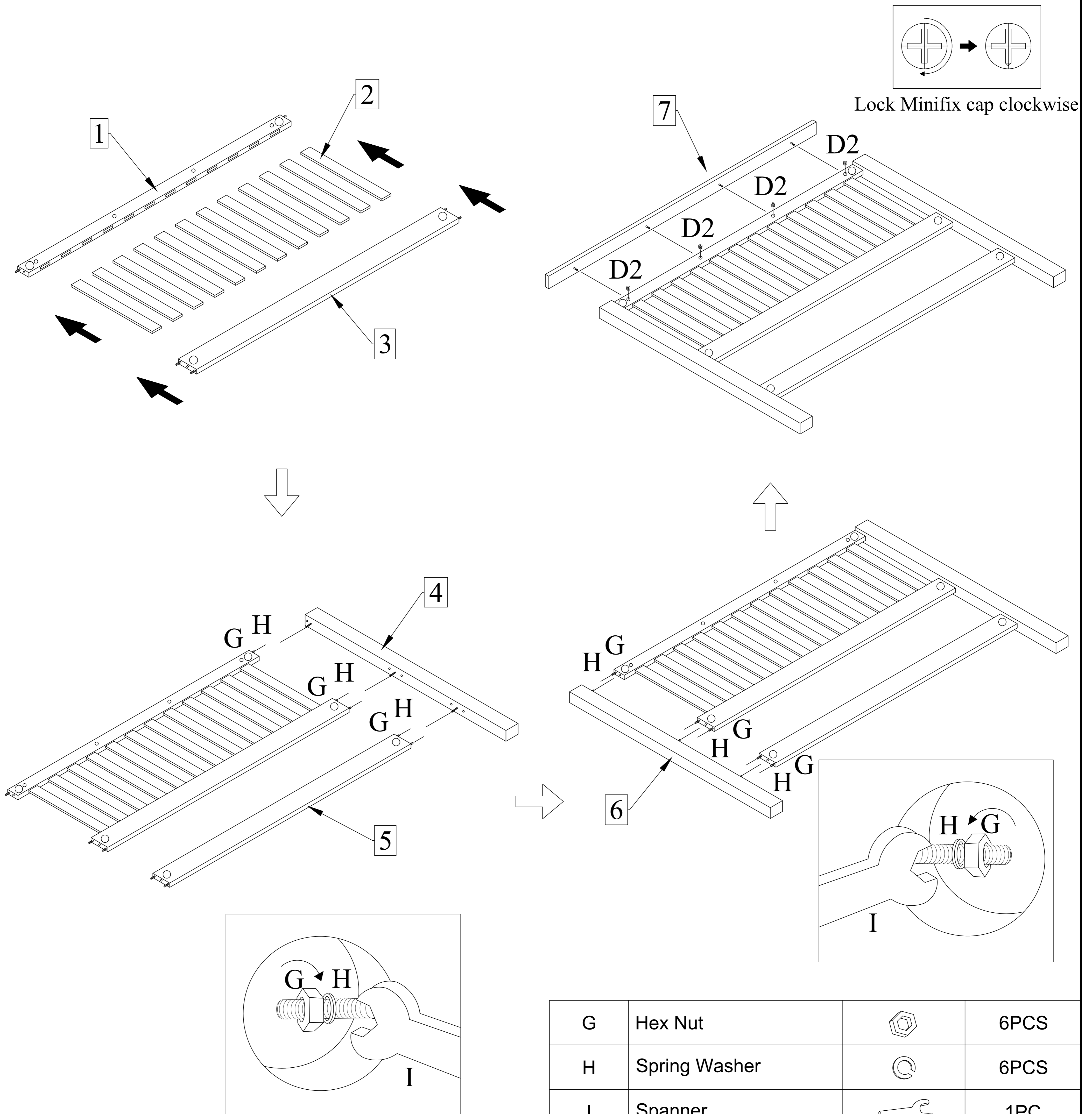
## Step 2 :Headboard (HB) assembly.



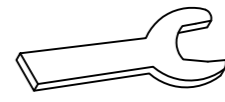

First slot in HB slats (2) to Upper Slats Support (1), then slot the Lower Slats Support - HB (3) in.

Attach the connected parts and HB Support Rail (5) to HB Pillar - L (4) and lock with Hex Nut (G) and Spring Washer (H) using Spanner (I) provided.

Attach the connected parts again to HB Pillar - R (6) and lock with Hex Nut (G) and Spring Washer (H) using Spanner (I) provided.

Finally, connect Top Panel (7) to the Headboard and lock with Minifix Cap (D2)



|   |               |  |      |
|---|---------------|--|------|
| G | Hex Nut       |     | 6PCS |
| H | Spring Washer |     | 6PCS |
| I | Spanner       |     | 1PC  |
| D | Minifix Cap   | D2  | 4PCS |

# ASSEMBLY INSTRUCTIONS

Item No : WF294586AAG

Description : FULL BED

Thank you for purchasing this quality product. Be sure to check all packing material carefully for small part that may have come loose inside carton during shipment.

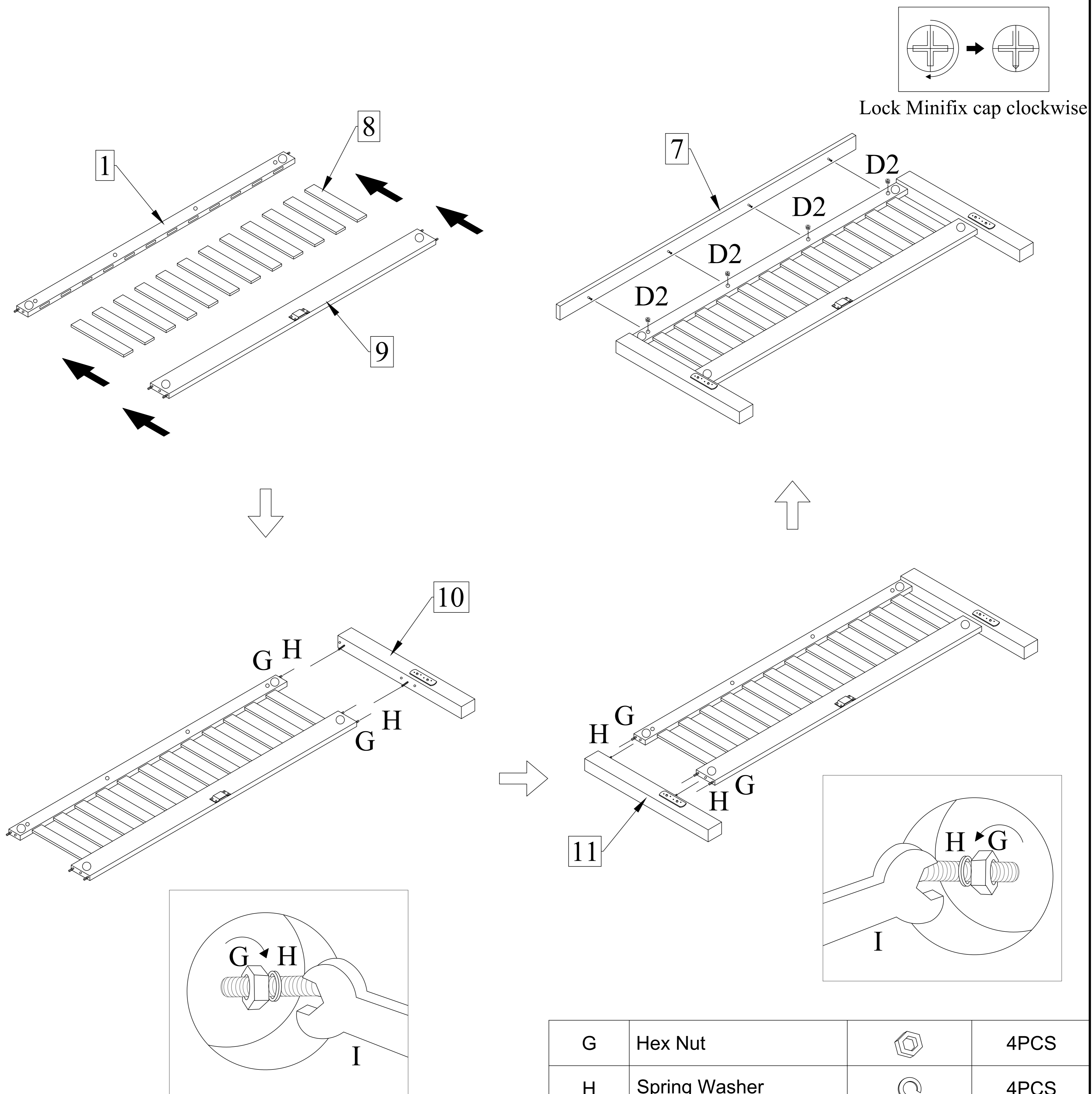
## Step 3 :Footboard (FB) assembly.



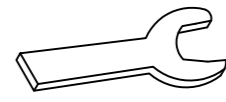

First slot in FB slats (8) to Upper Slats Support (1), then slot the Lower Slats Support - FB (9) in.

Attach the connected parts to FB Pillar - L (10) and lock with Hex Nut (G) and Spring Washer (H) using Spanner (I) provided.

Attach the connected parts again to FB Pillar - R (11) and lock with Hex Nut (G) and Spring Washer (H) using Spanner (I) provided.

Finally, connect Top Panel (7) to the Footboard and lock with Minifix Cap (D2)



|   |               |  |      |
|---|---------------|--|------|
| G | Hex Nut       |     | 4PCS |
| H | Spring Washer |     | 4PCS |
| I | Spanner       |     | 1PC  |
| D | Minifix Cap   | D2  | 4PCS |

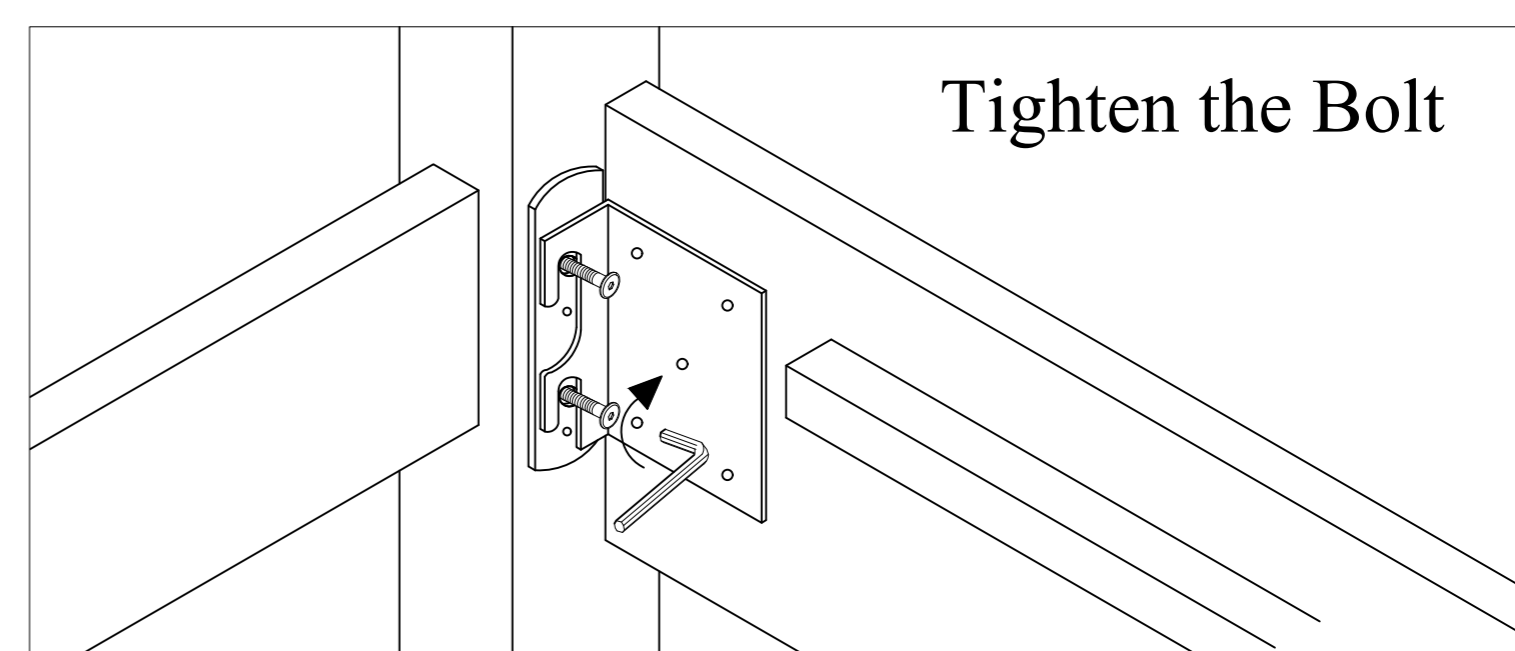
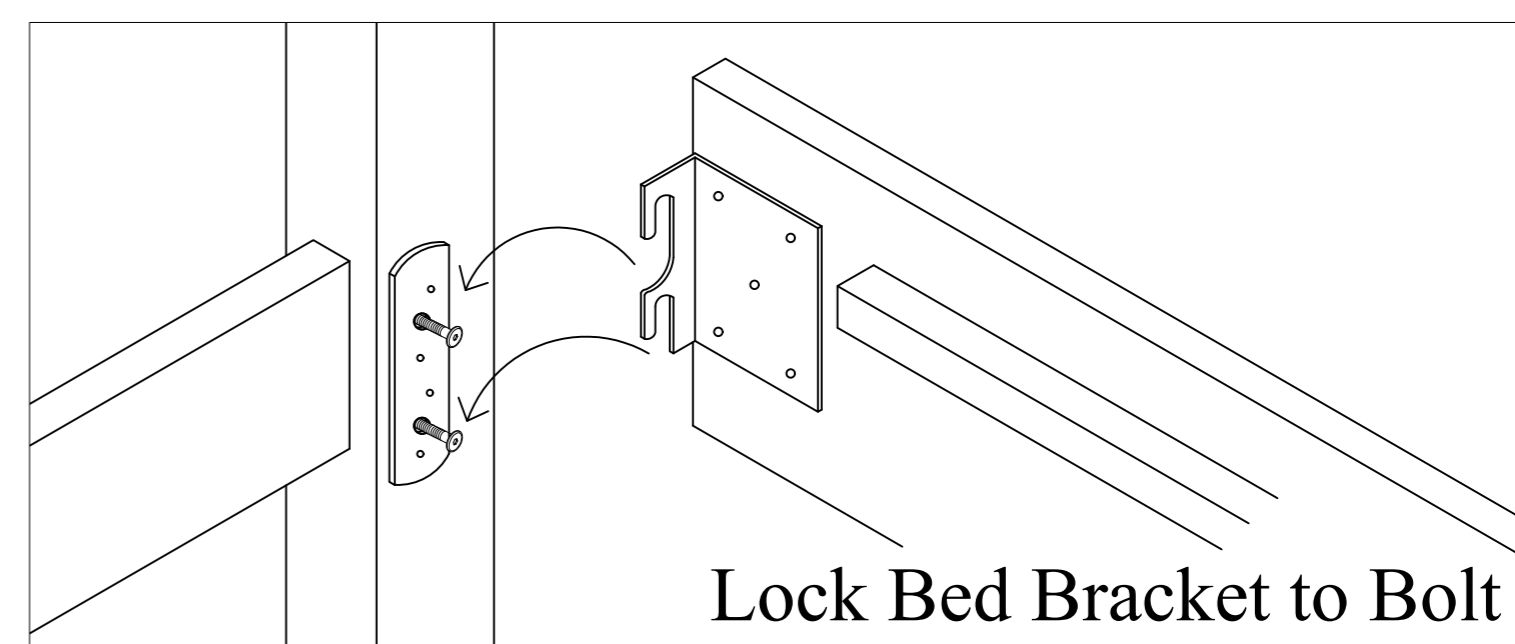
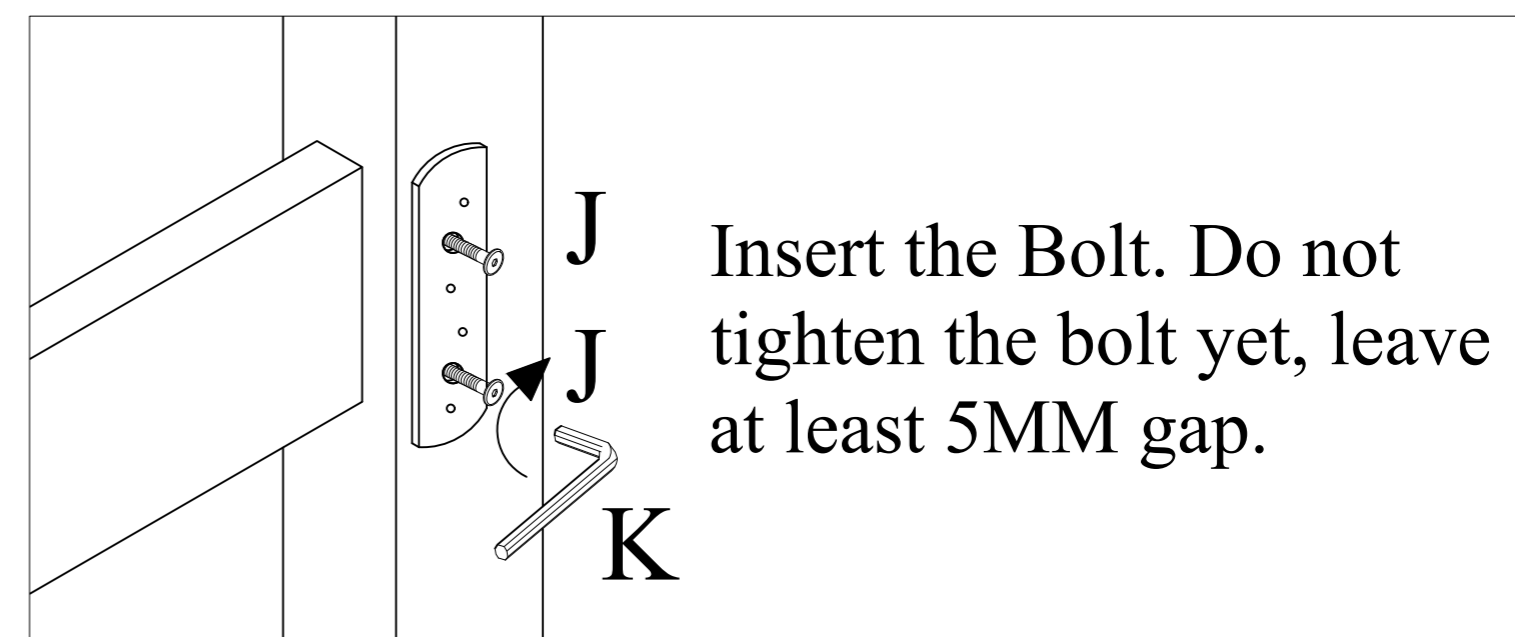
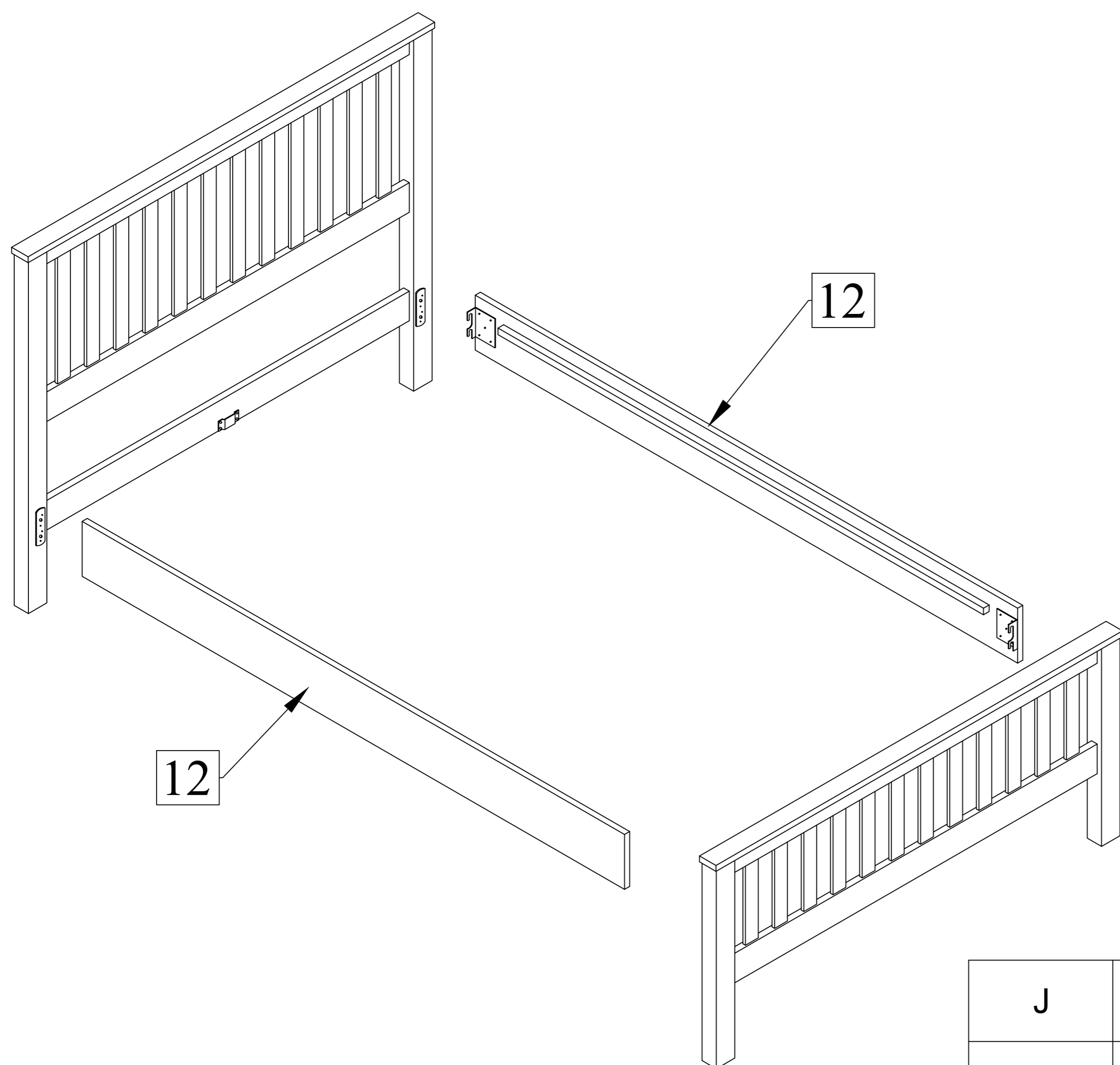
# ASSEMBLY INSTRUCTIONS

Item No : WF294586AAG

Description : FULL BED

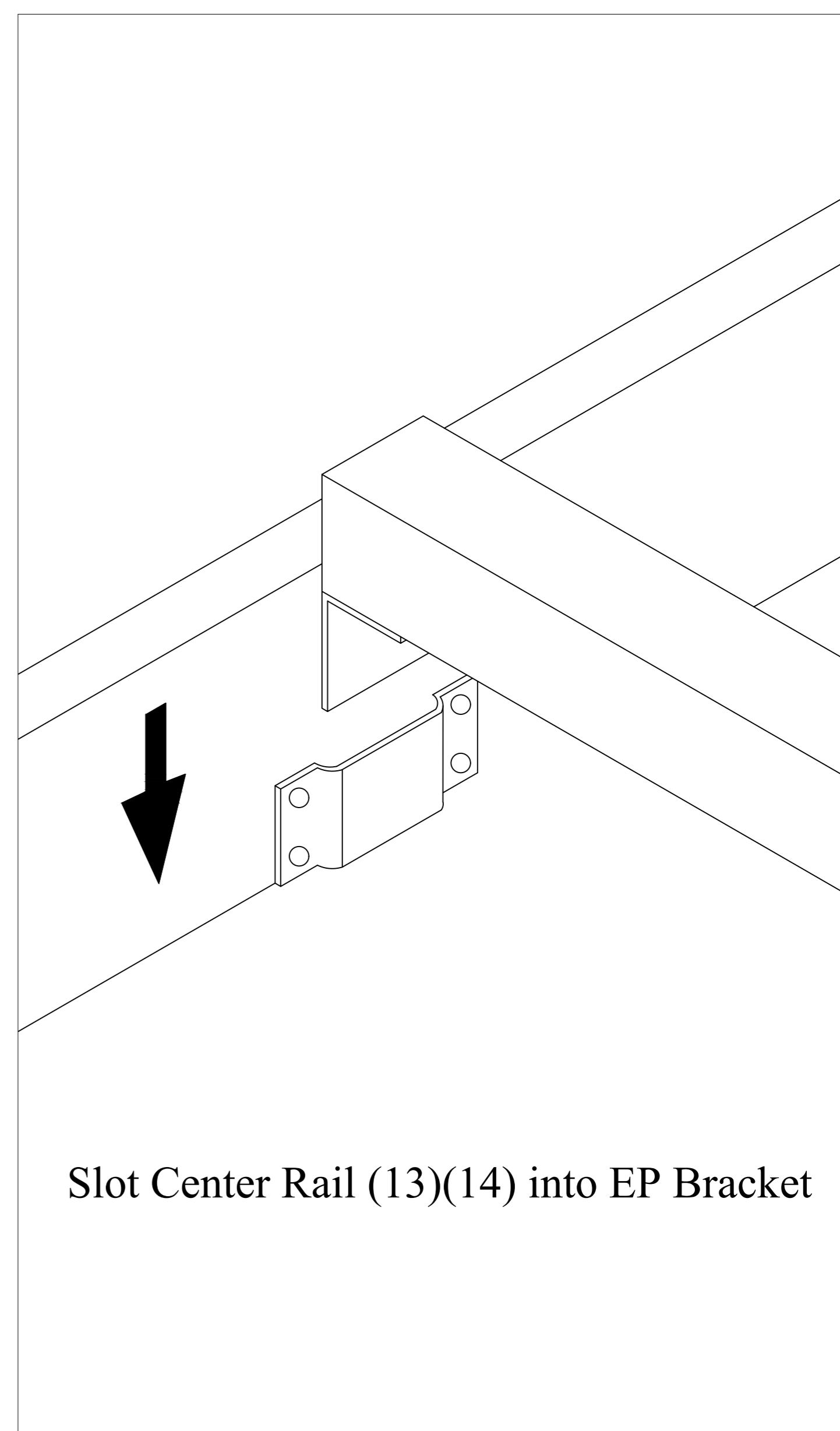
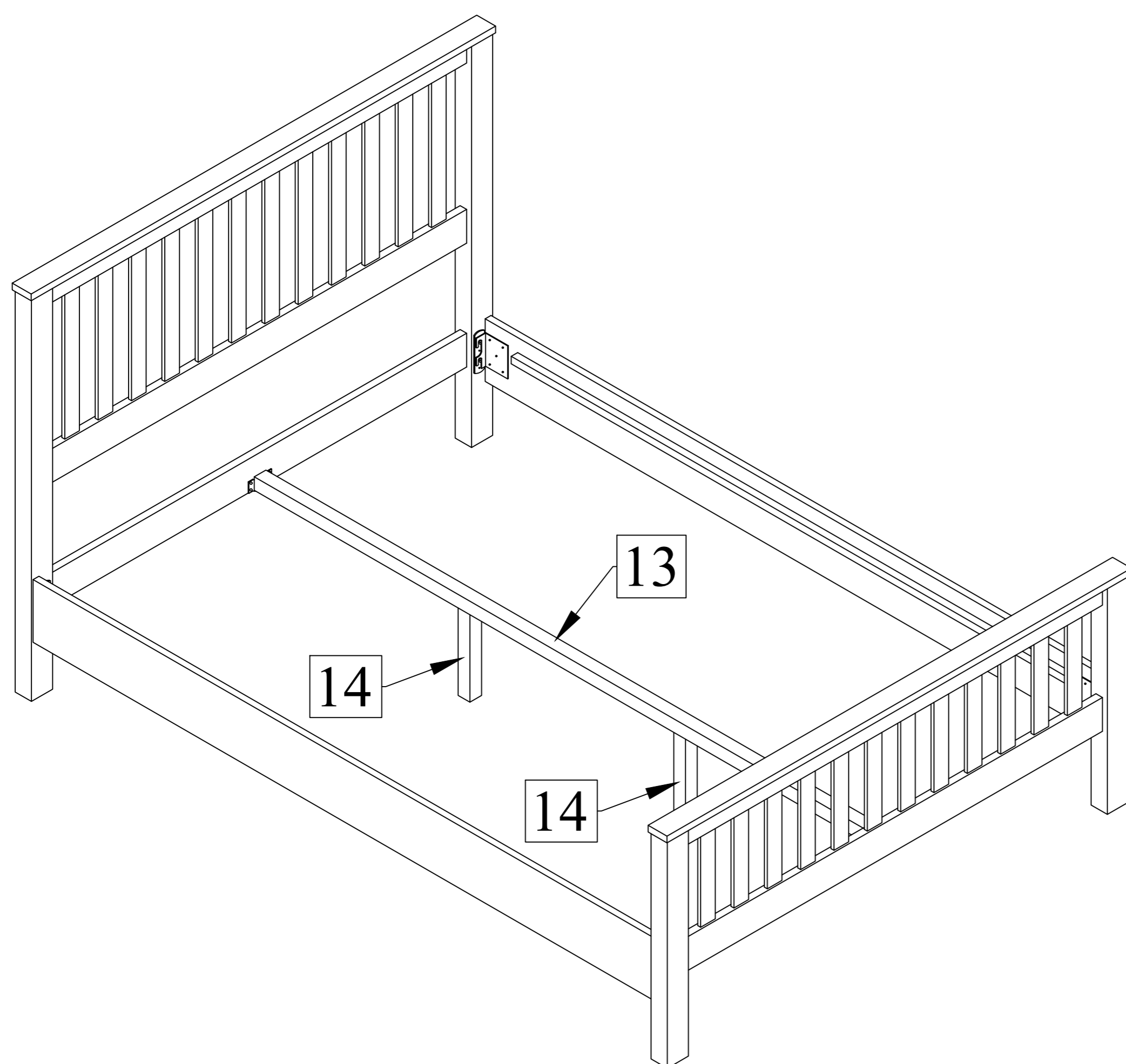
Thank you for purchasing this quality product. Be sure to check all packing material carefully for small part that may have come loose inside carton during shipment.

Step 4 : Connect Bed Side Rails (12) to Headboard and Footboard with Bolt (J) using Allen Key M5 (K)



|   |              |   |      |
|---|--------------|---|------|
| J | Bolt         |  | 8PCS |
| K | Allen Key M5 |  | 1PC  |

Step 5 : Attach the Center Support Rail (13)(14) to the bed.



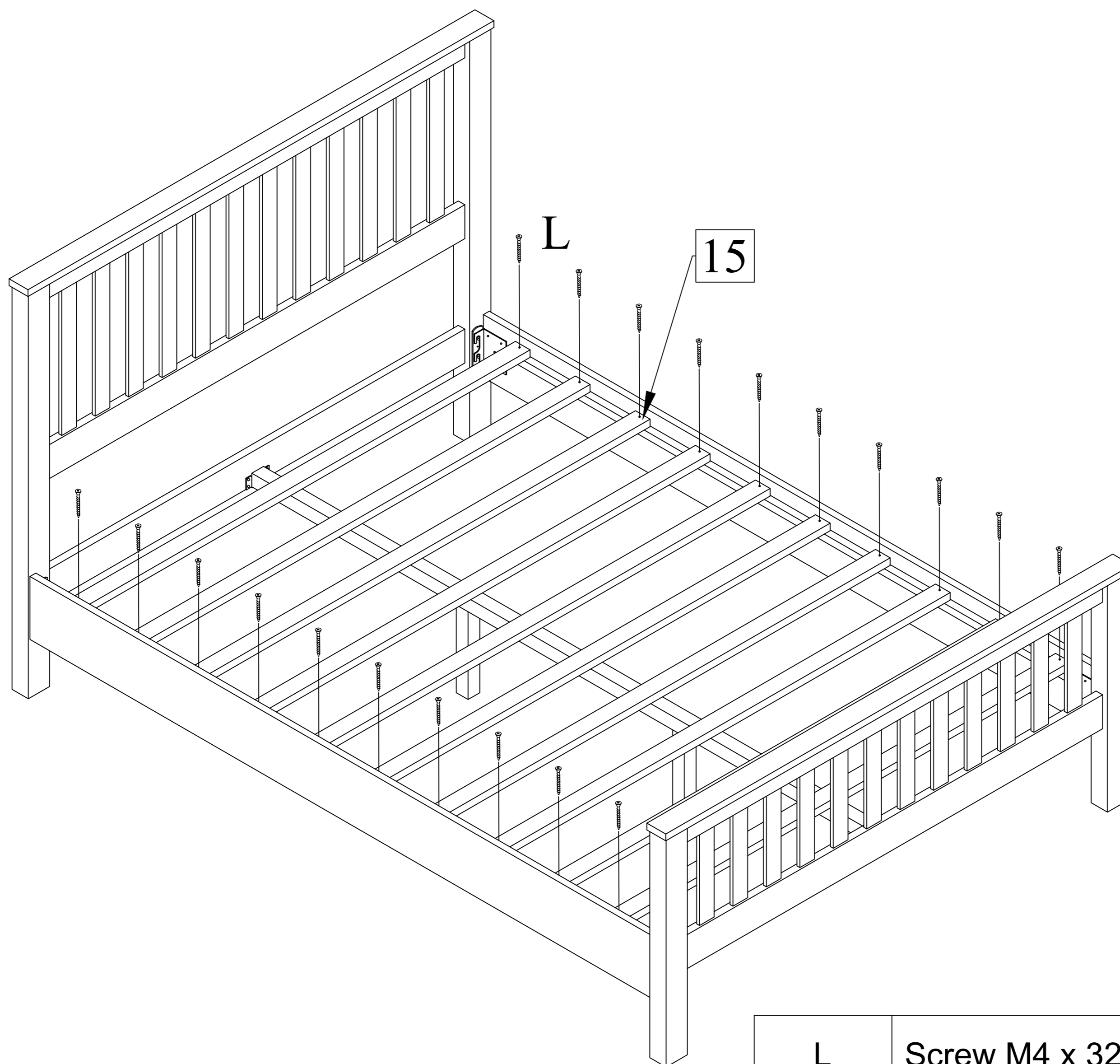
# ASSEMBLY INSTRUCTIONS

Item No : WF294586AAG

Description : FULL BED

Thank you for purchasing this quality product. Be sure to check all packing material carefully for small part that may have come loose inside carton during shipment.

Step 6 : Attach Bed Slats (15) to the bed using Screw M4 x 32MM (L).



|   |                 |   |       |
|---|-----------------|---|-------|
| L | Screw M4 x 32MM |  | 20PCS |
|---|-----------------|---|-------|

Completed assembly.

