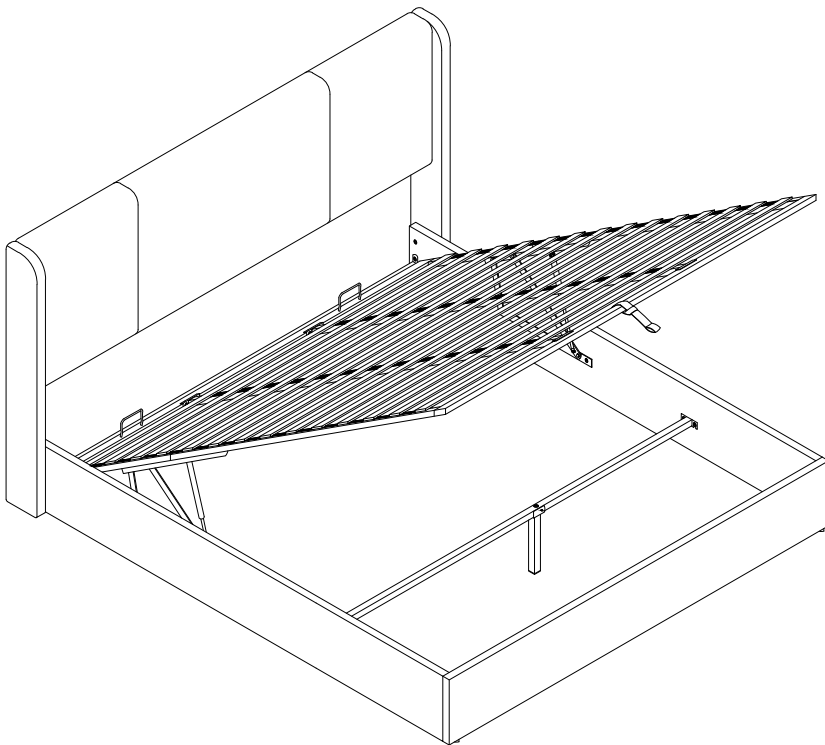


# ASSEMBLY INSTRUCTION



**WARNING: OPEN THE HEADBOARD BACK ZIPPER, THE BED REST PARTS IN IT.**



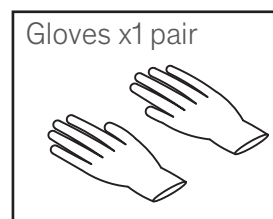
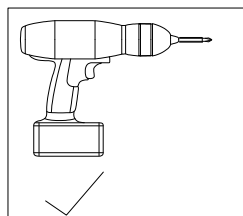
**Please TEAR OFF this shrink film from side!  
DO NOT USE CUTTER!**

## IMPORTANT NOTE

- 1. All other components are stored inside the headboard. Before proceeding with assembly, please open the zipper located on the headboard and remove all components.**
2. For the protection of your furniture, place all parts on a clean and smooth surface to prevent any damage.
3. Keep fittings out of children's reach and keep children well away from construction area.
4. When moving your assembled bed, it is best to lift the bed and never to drag it.
5. Do not use this product if parts are missing, damaged or worn.
6. This product should only be used on firm, level ground.
7. Please periodically check all fittings and re-tighten as necessary.
8. Do not use the bed unless all bolts and screws are firmly secured.
9. For further assistance, please provide a screenshot of your order and contact us.

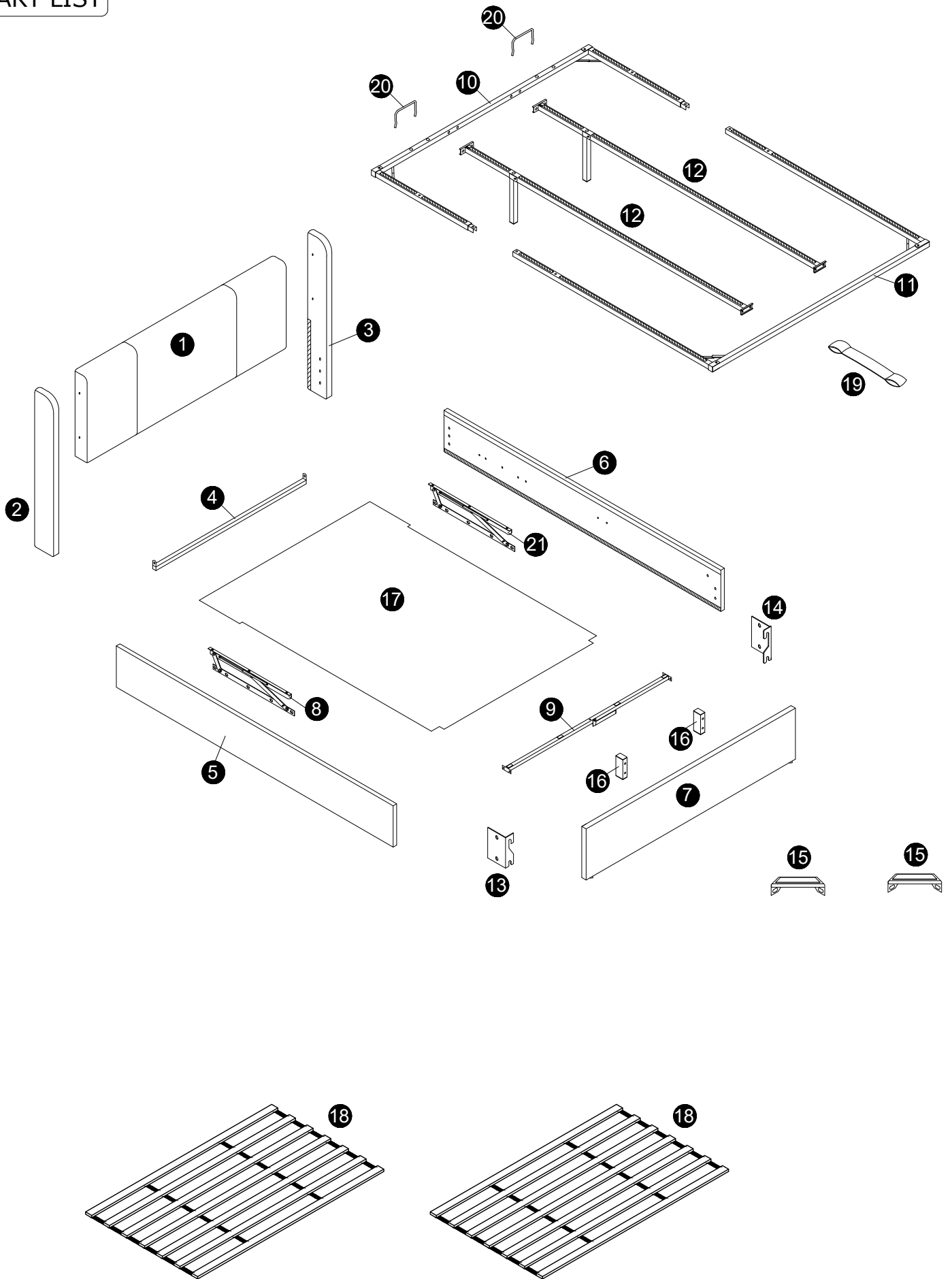


Minimum two  
person assembly

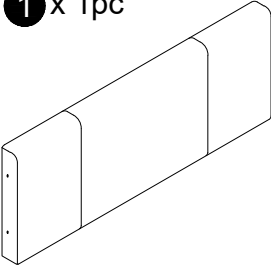
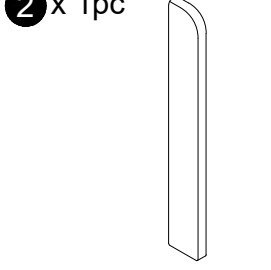
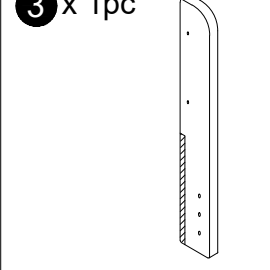
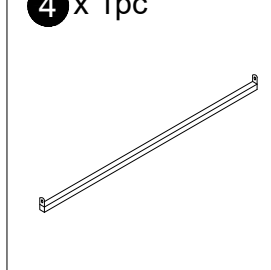
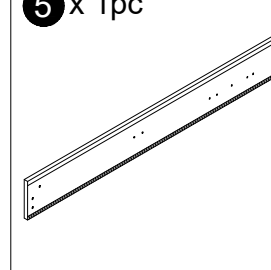
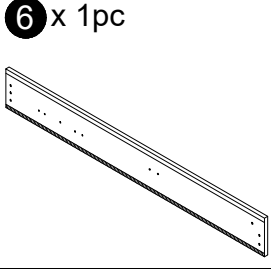
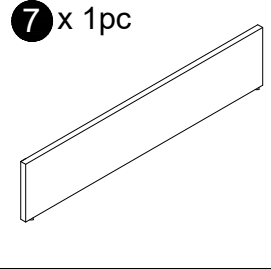
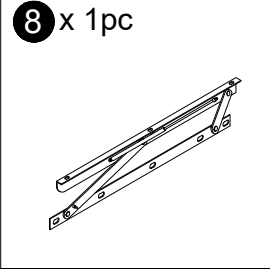
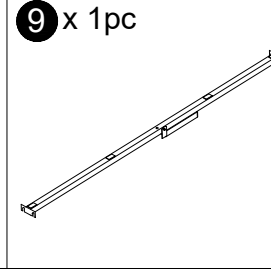
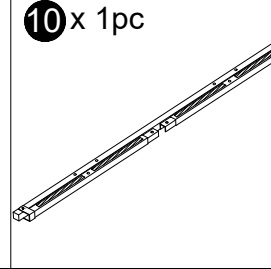
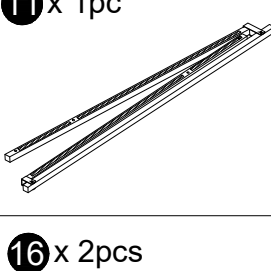
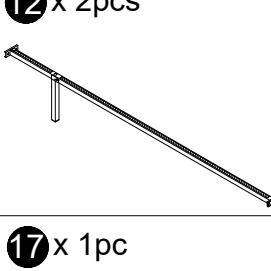
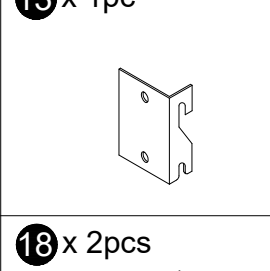
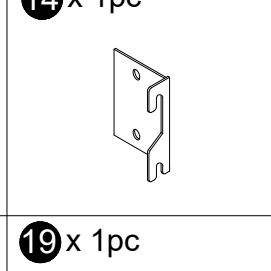
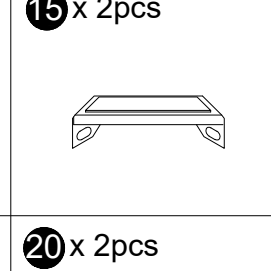
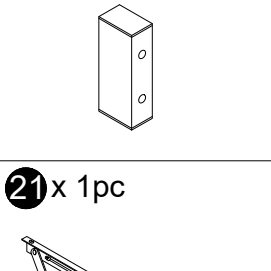
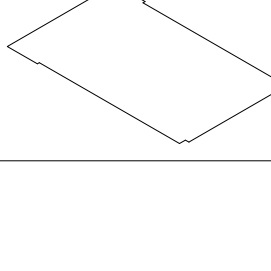
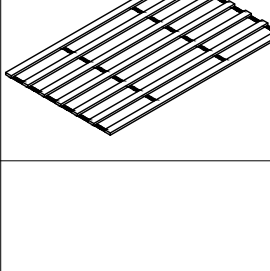
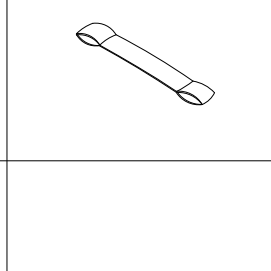
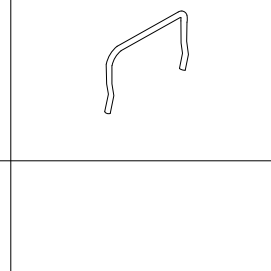
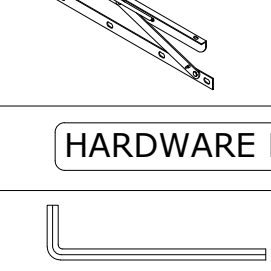


Please note gloves.  
This fabric is very light colour.  
So when assembling bed,  
please wear them.


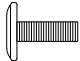



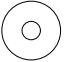

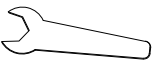

PART LIST



**PART LIST**

<b>1</b> x 1pc 	<b>2</b> x 1pc 	<b>3</b> x 1pc 	<b>4</b> x 1pc 	<b>5</b> x 1pc 
<b>6</b> x 1pc 	<b>7</b> x 1pc 	<b>8</b> x 1pc 	<b>9</b> x 1pc 	<b>10</b> x 1pc 
<b>11</b> x 1pc 	<b>12</b> x 2pcs 	<b>13</b> x 1pc 	<b>14</b> x 1pc 	<b>15</b> x 2pcs 
<b>16</b> x 2pcs 	<b>17</b> x 1pc 	<b>18</b> x 2pcs 	<b>19</b> x 1pc 	<b>20</b> x 2pcs 
<b>21</b> x 1pc 				

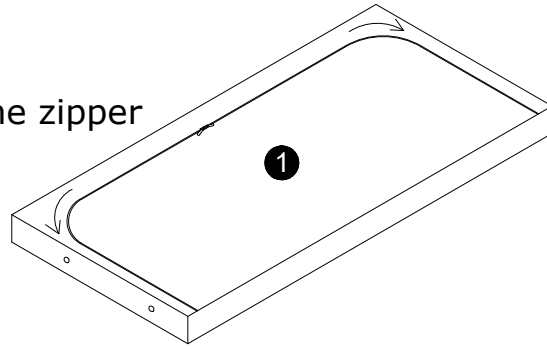
**HARDWARE LIST**

 <b>H1</b> M5 x 1pc	 <b>H2</b> M8x25mm x 34pcs	 <b>H3</b> M8x40mm x 4pcs	 <b>H4</b> M8x60mm x 4pcs
 <b>H5</b> M8 x 10pcs	 <b>H6</b> M8x22mm x 10pcs	 <b>H7</b> M8 x 6pcs	 <b>H8</b> M14 x 1pc
 <b>H9</b> M8x50mm x 15pcs			

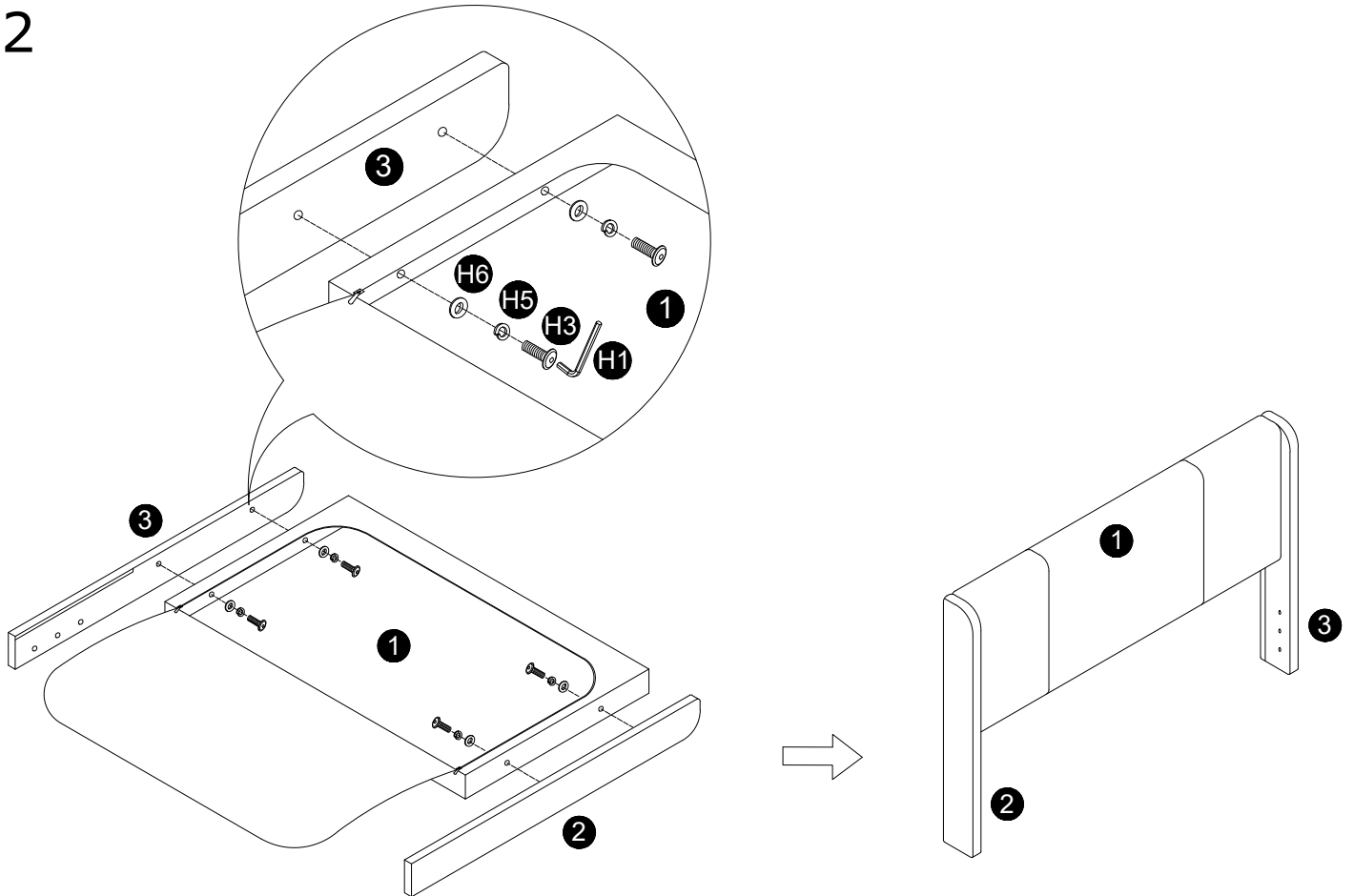
**Please ensure to thoroughly inspect the small inner cardboard box containing the hardware, which are tied with a red string, before disposing of the box.**

**1** **NOTE:** PLEASE OPEN THE ZIPPER ON THE BACK OF **1** AND TAKE OUT THE PARTS.

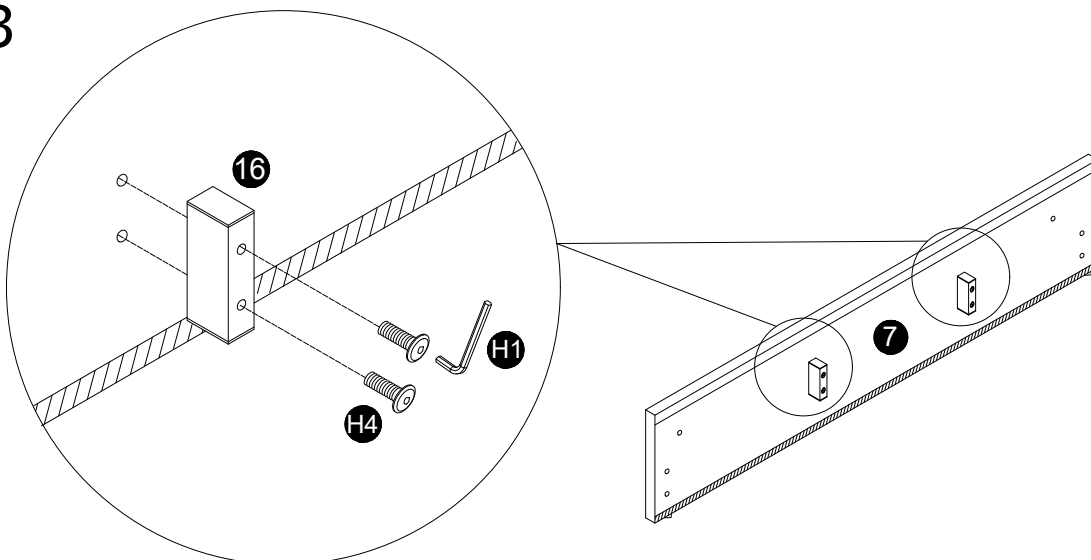
Open the zipper



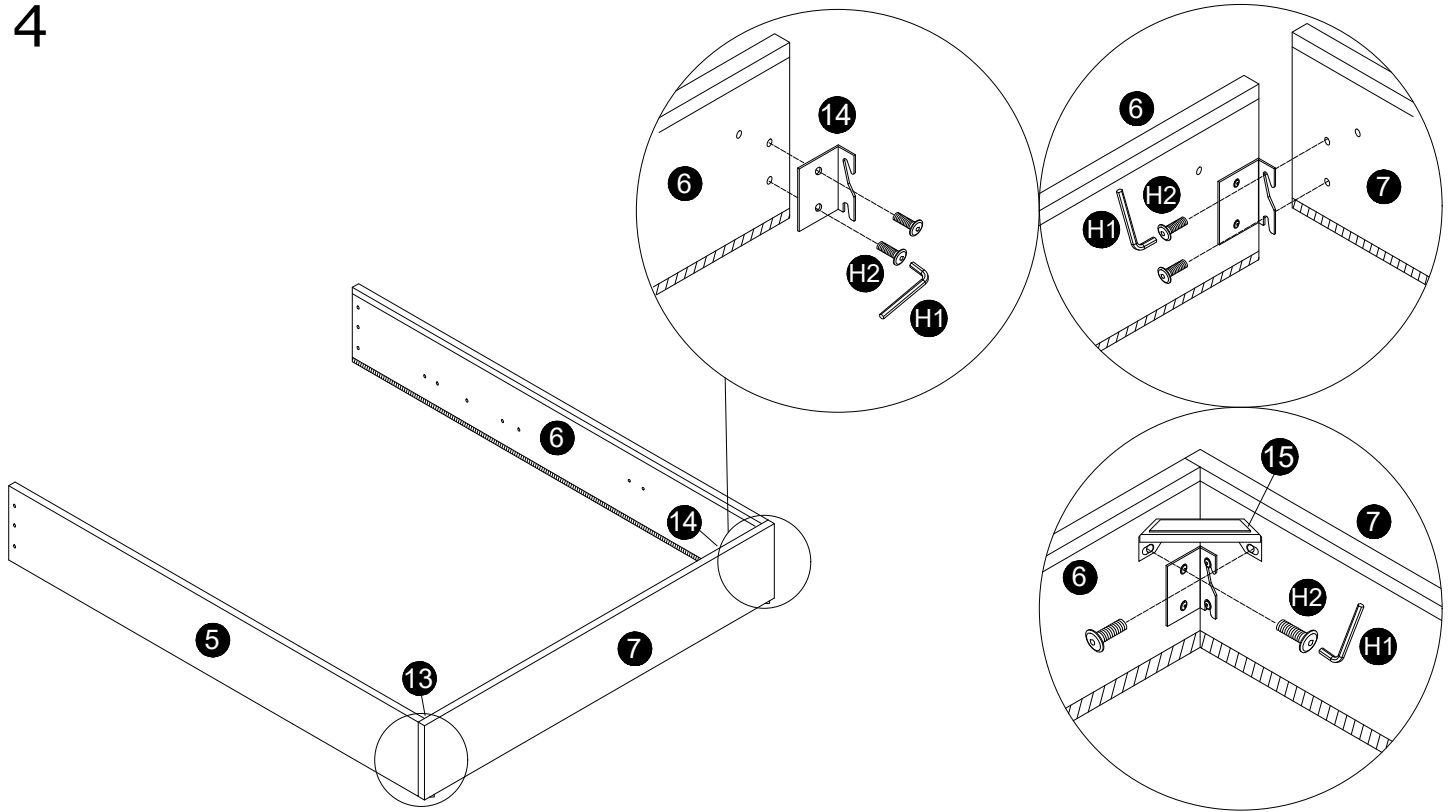
**2**



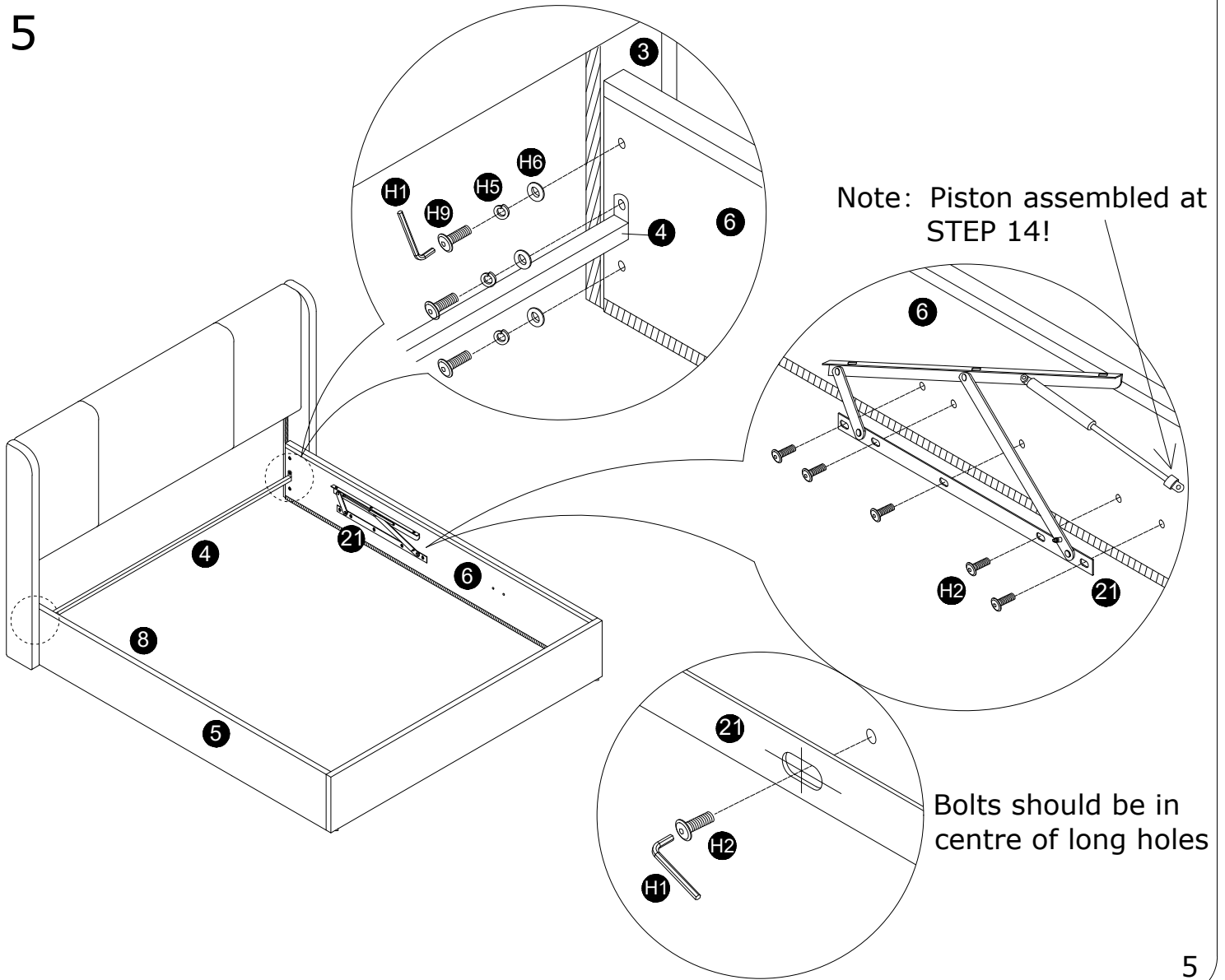
**3**



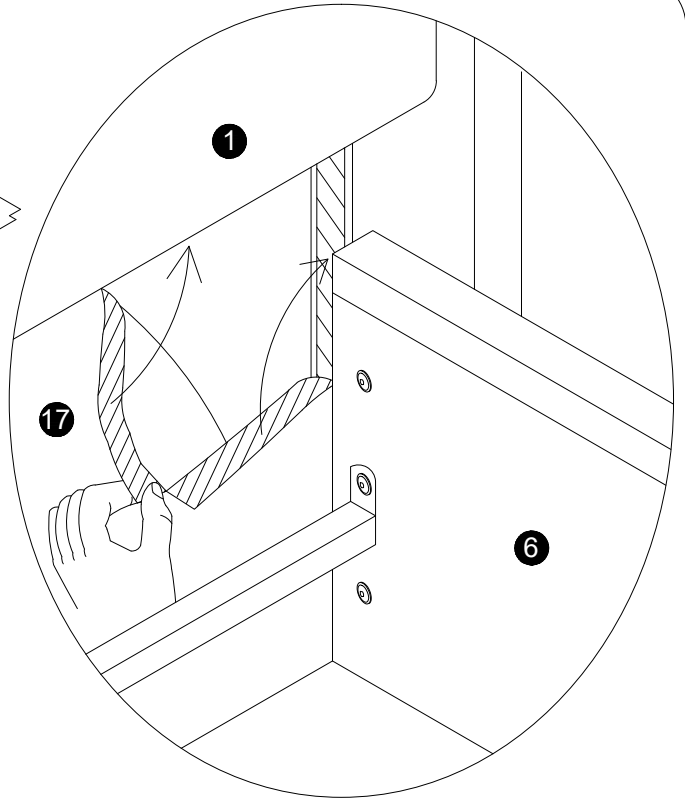
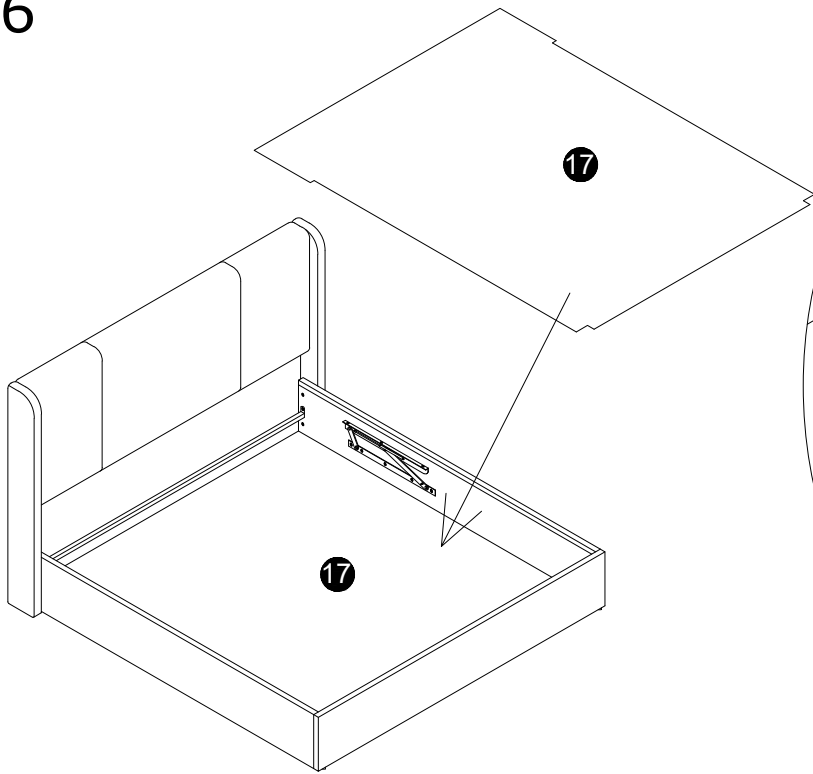
4



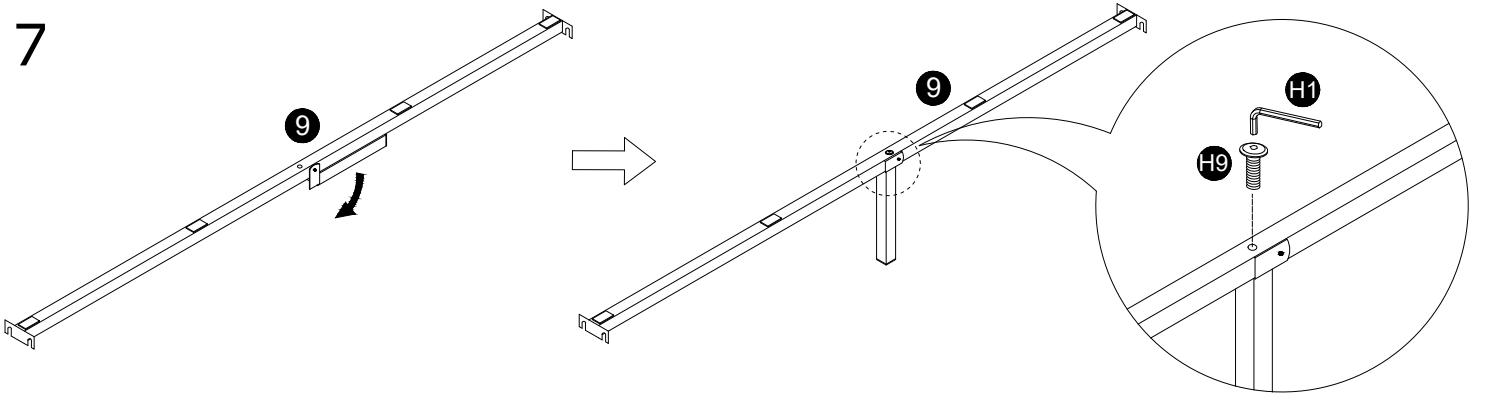
5



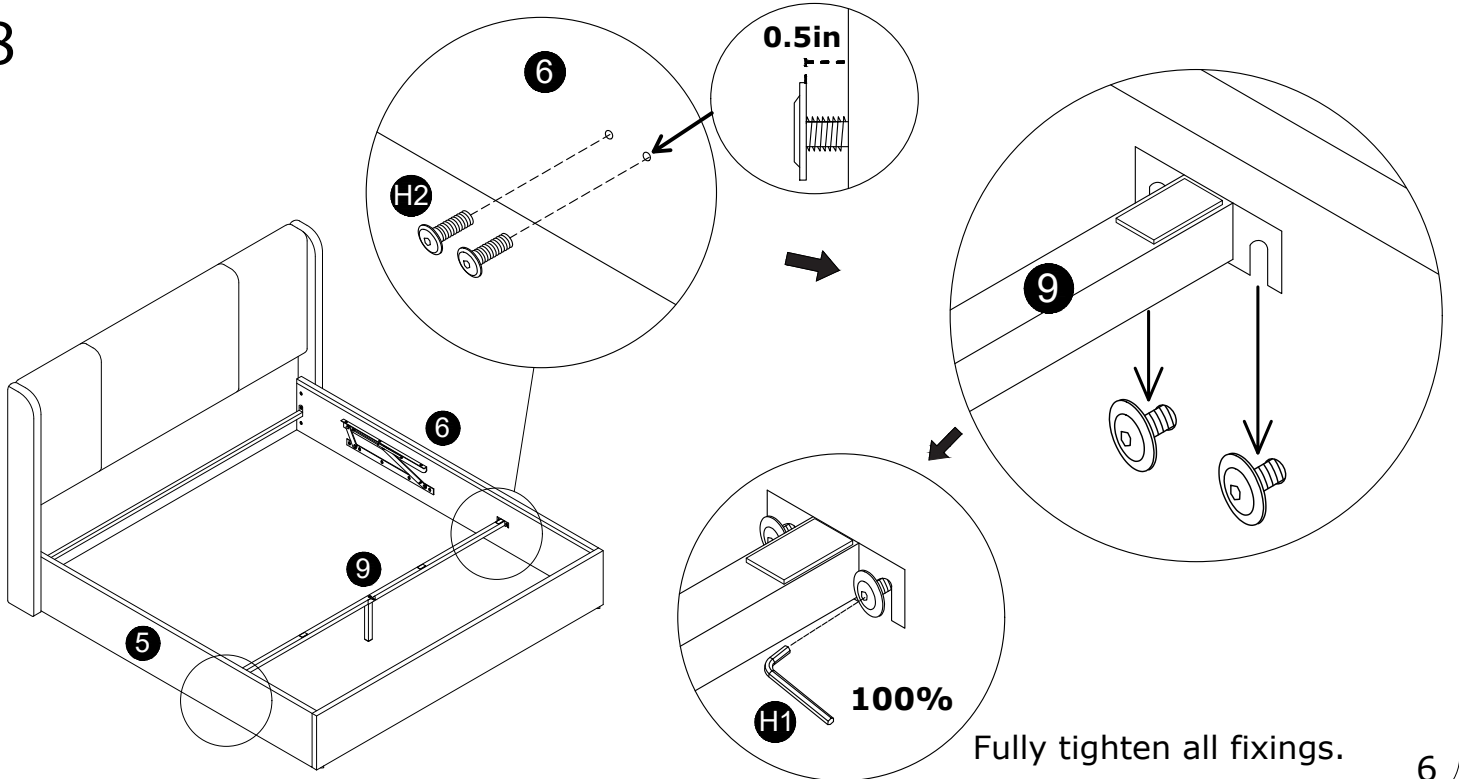
6



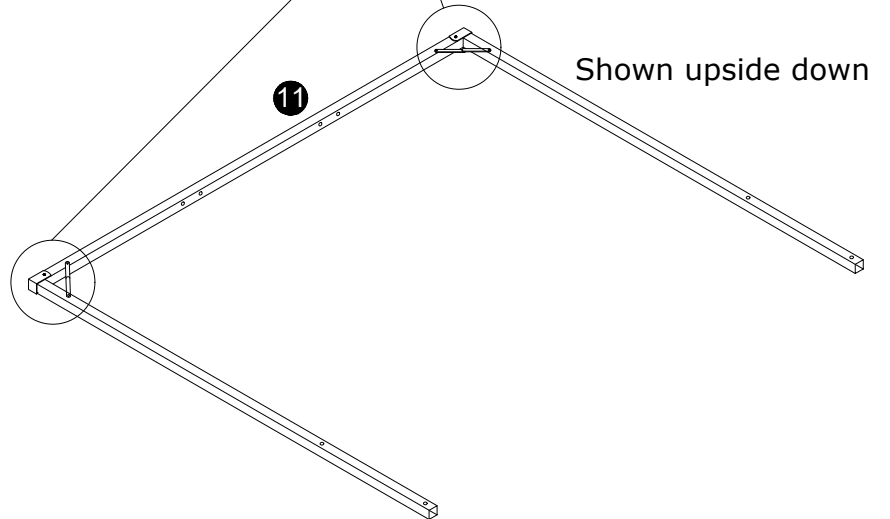
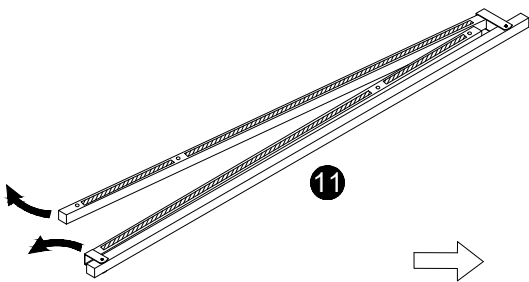
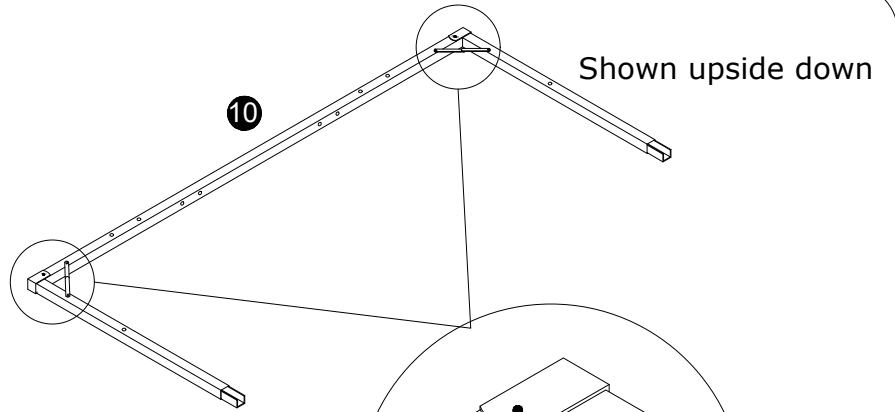
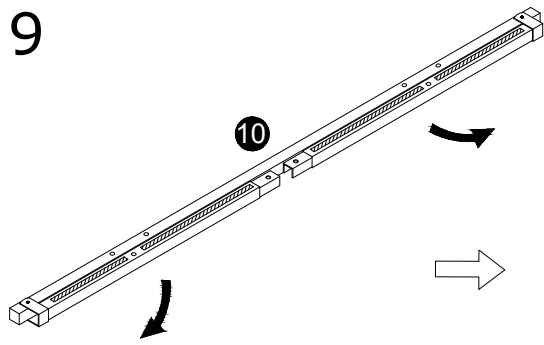
7



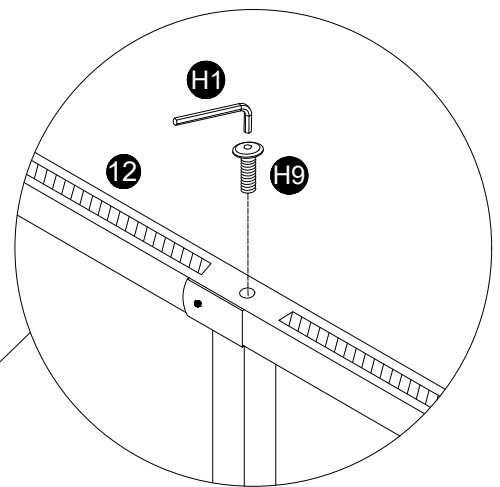
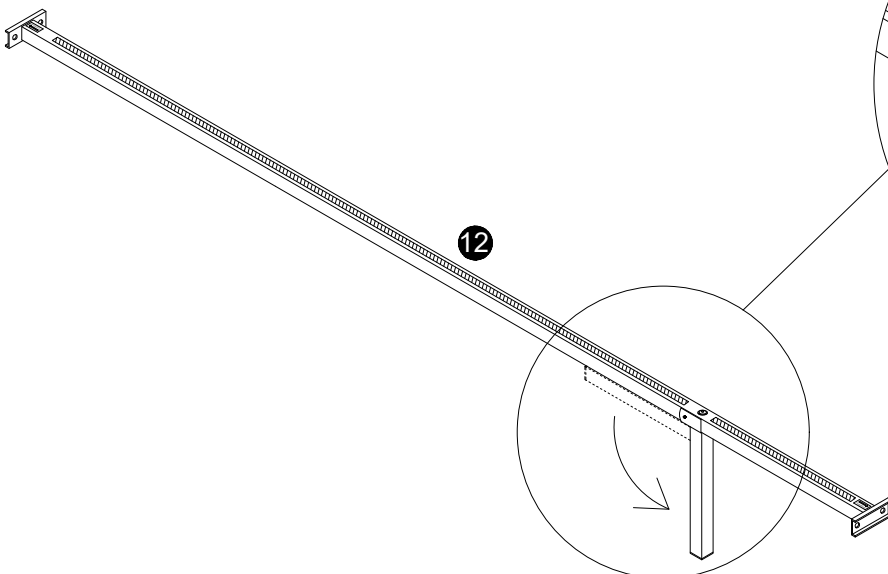
8



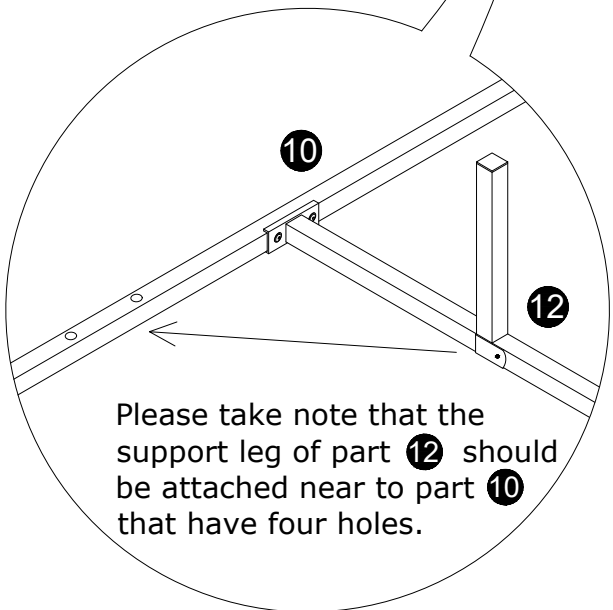
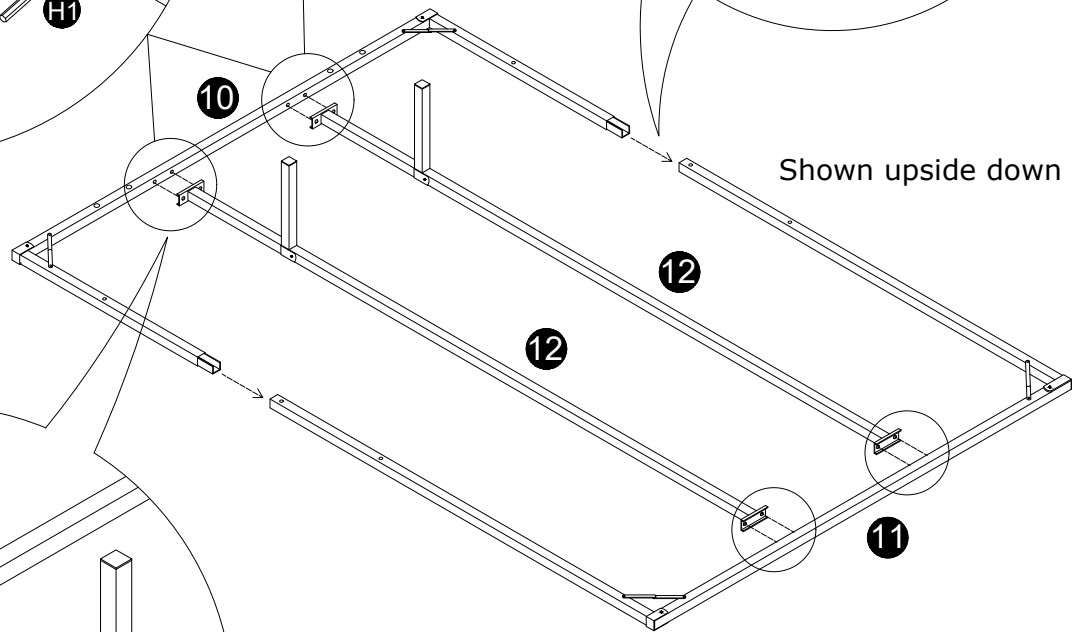
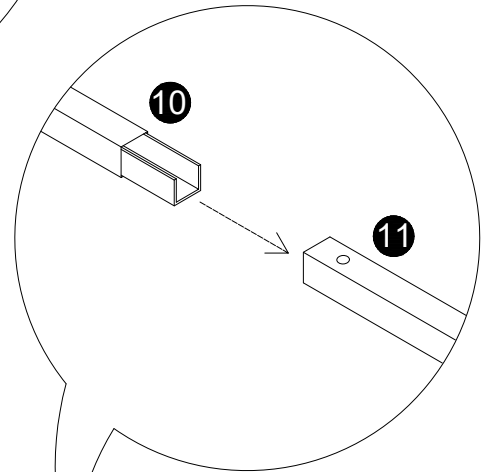
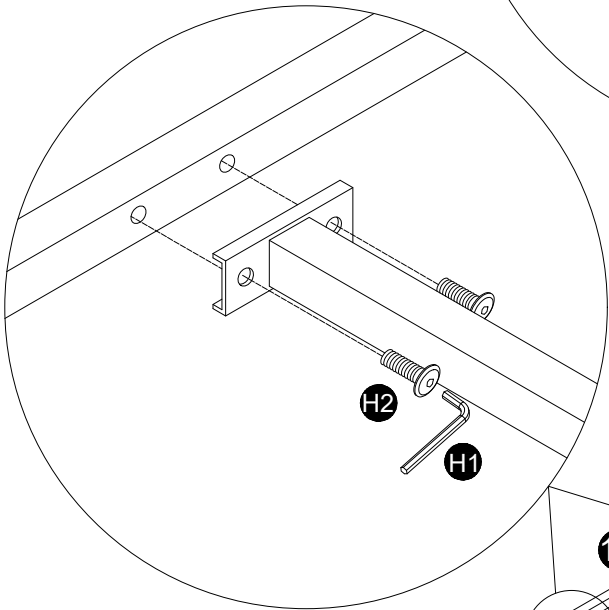
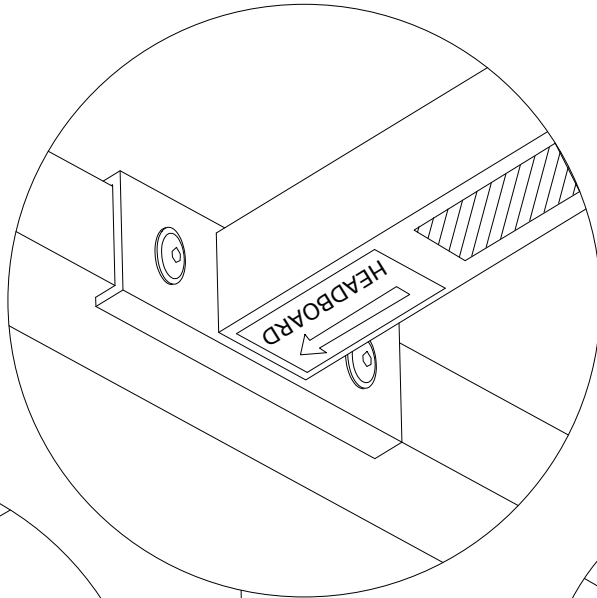
9



10

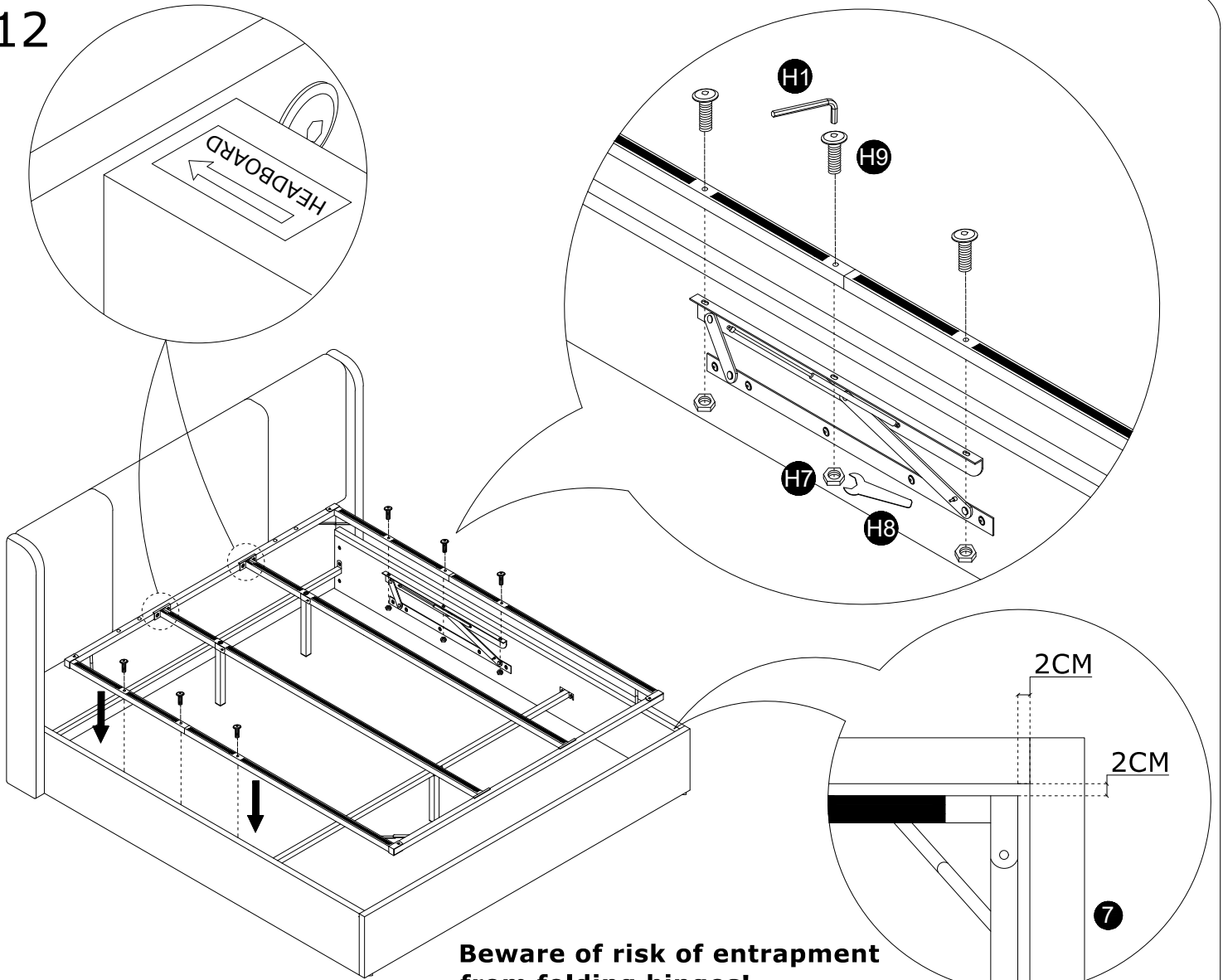


11



Please take note that the support leg of part 12 should be attached near to part 10 that have four holes.

12



13

