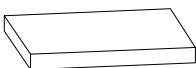


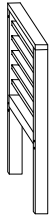

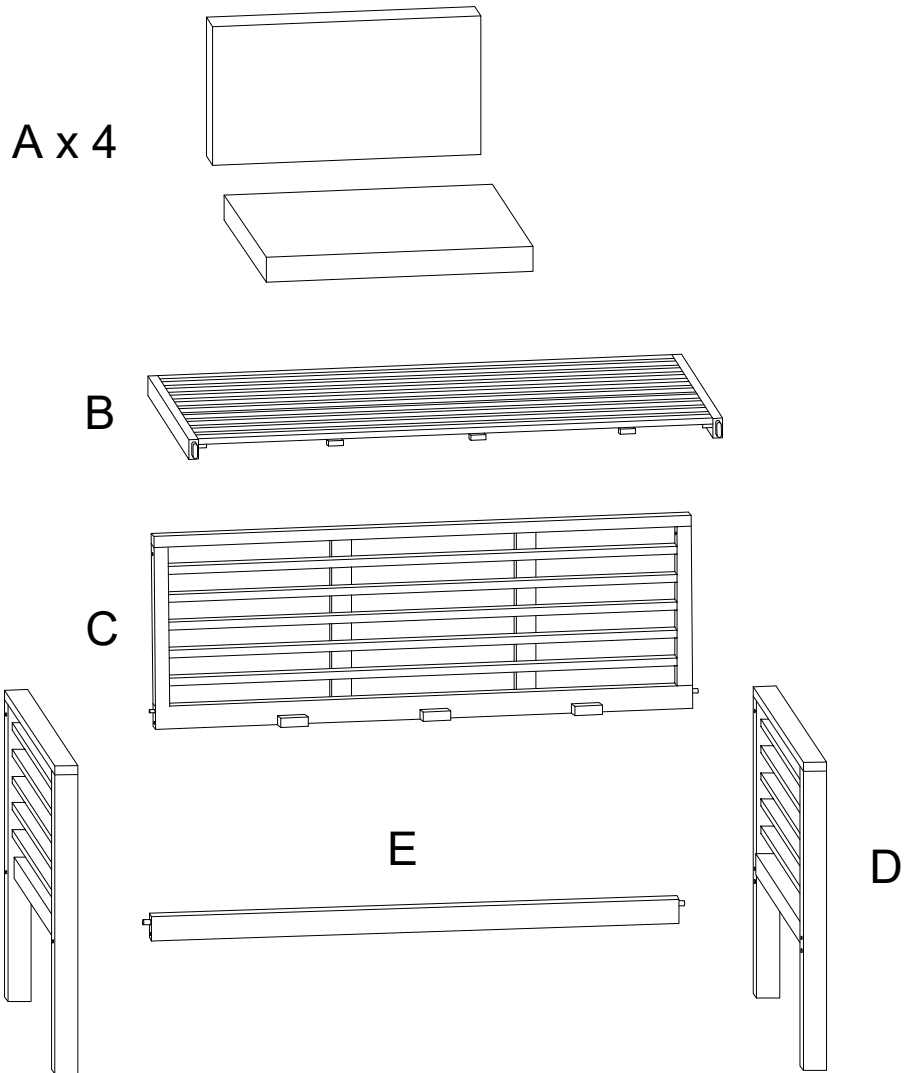
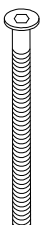
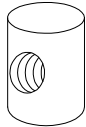
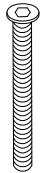
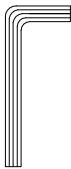


Assembly instructions for the bench:

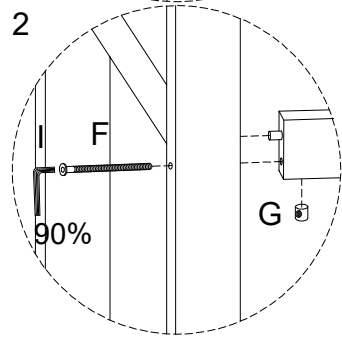
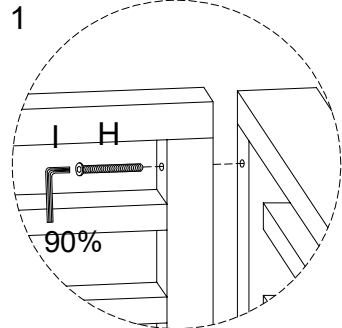
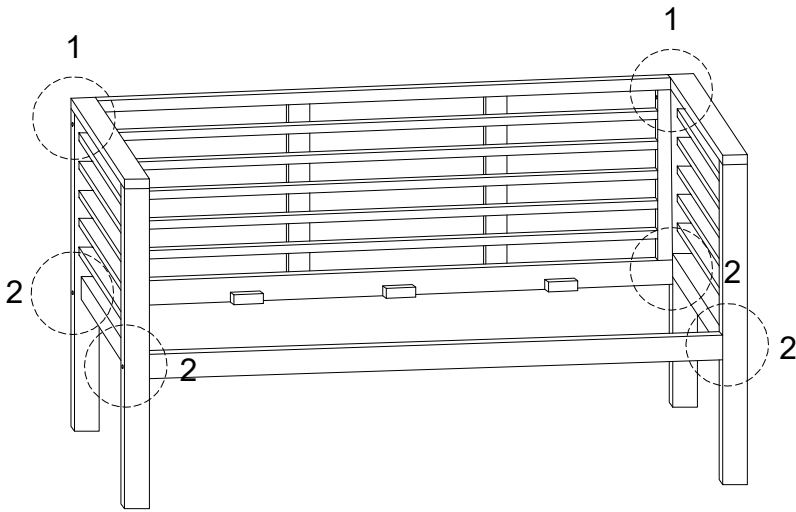
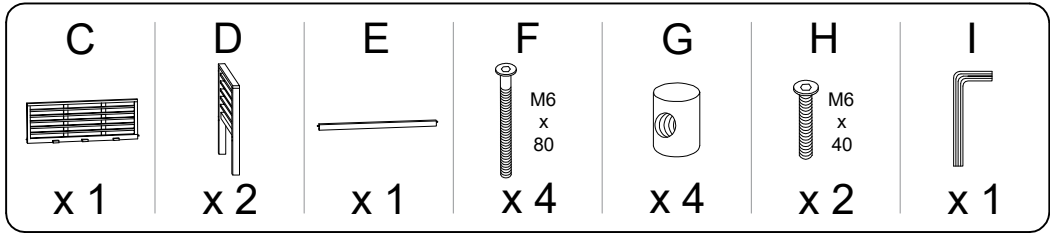
- Step 1:** Requires an L-shaped metal bracket (shown in a circle) and a power drill (shown with a diagonal line through it, indicating it is not to be used). A warning triangle with an exclamation mark is present. Estimated time: 20 minutes (shown with a clock icon).
- Step 2:** Requires a rectangular block (shown in a circle) and a screwdriver (shown with a diagonal line through it, indicating it is not to be used). A warning triangle with an exclamation mark is present. Requires 2 people (shown with a person icon).

A	B	C	D	E
				
x 4	x 1	x 1	x 2	x 1

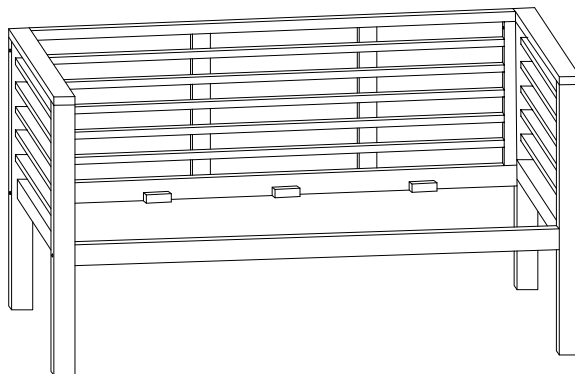
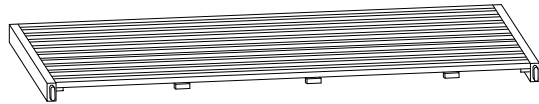
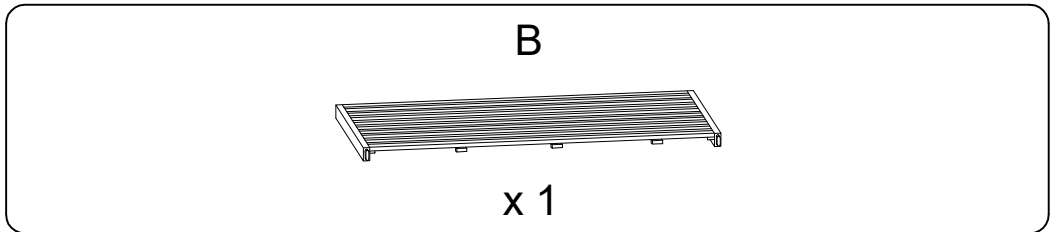


F	G	H	I
 M6 x 80		 M6 x 40	
x 4	x 4	x 2	x 1

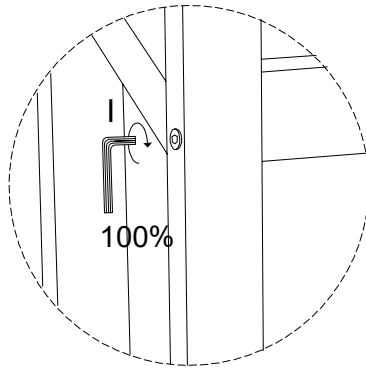
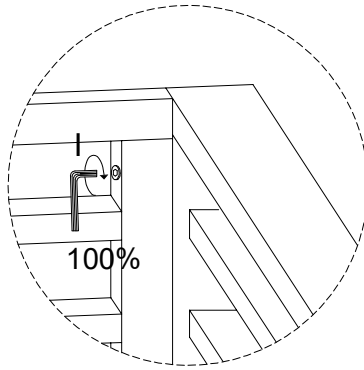
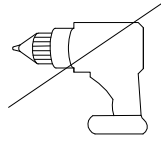
1



2



3



4

A



x 4

