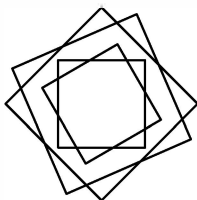
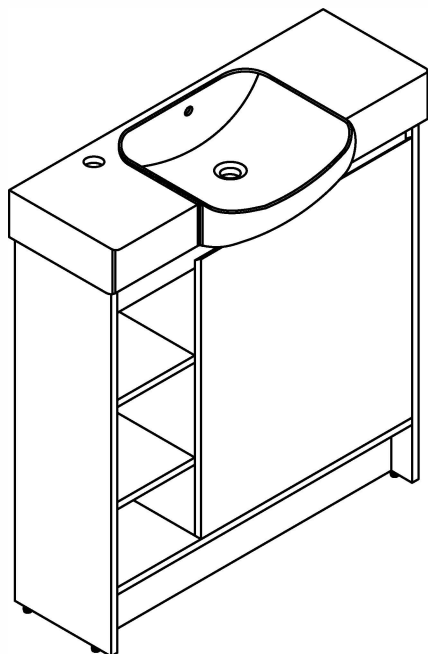


Installation Manual



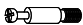









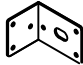
MOTIVATE
YOUR LIFE !



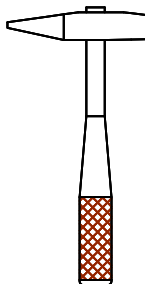
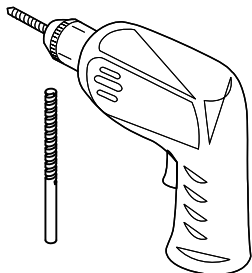
Thank you for shopping with us!

We encourage you to take a few minutes to go through this booklet. It contains important information on installation and care tips to keep your furniture looking as good as new.

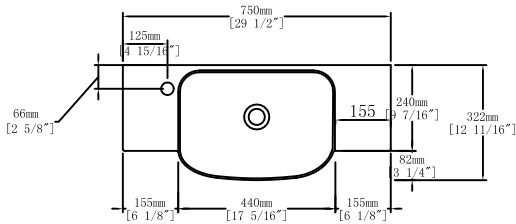
Hardware

NO.	Draw	QTY	NO.	Draw	QTY
A	 Screws Ø4x14mm	38	H	 Bracket (19x19x35mm)	2
B	 Two-in-one connector	42	I	 Hinges(Internal hiding)	3
C	 Two-in-one connector	42	J	 Adjustable feet	4
D	 Wood plug	9	K	 Movable laminate support	4
E	 Plastic anchor(Ø10mm)	2	L	 Anti-collision gasket	2
F	 Screws for fix on the wall	2	M	 Screwdriver	1
G	 Bracket (53x70x44mm)	2			

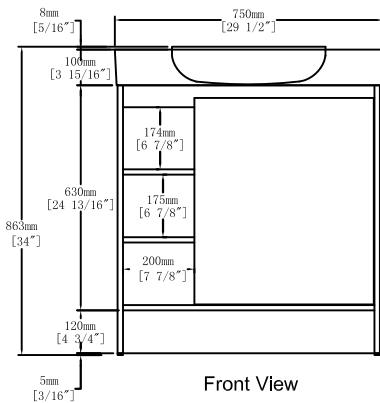
Recommended tools



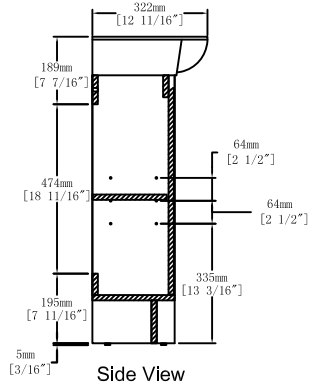
Dimensions



Top View



Front View

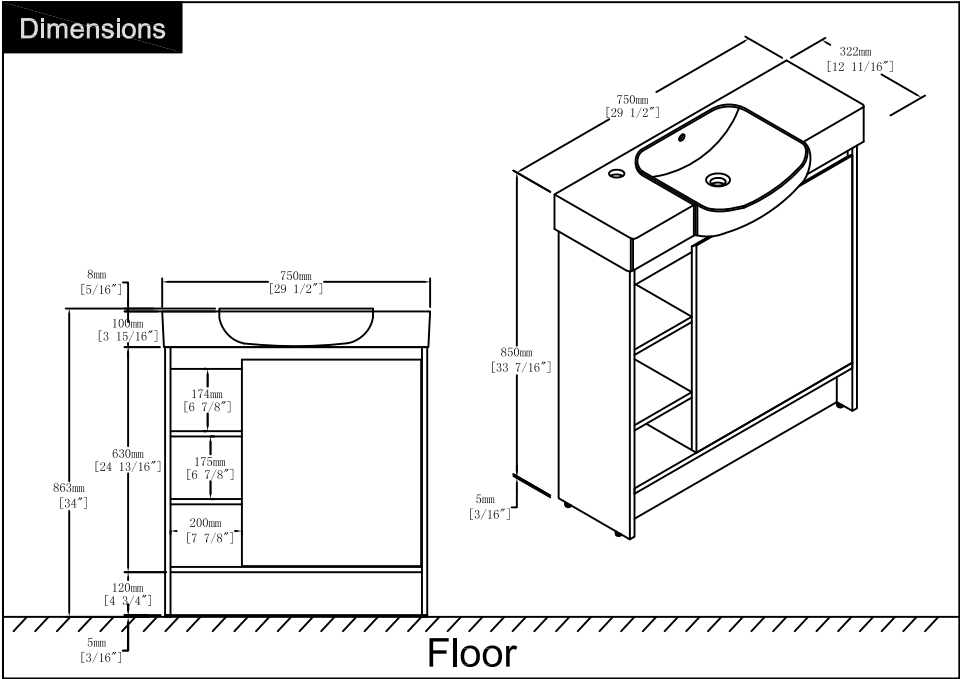


Side View

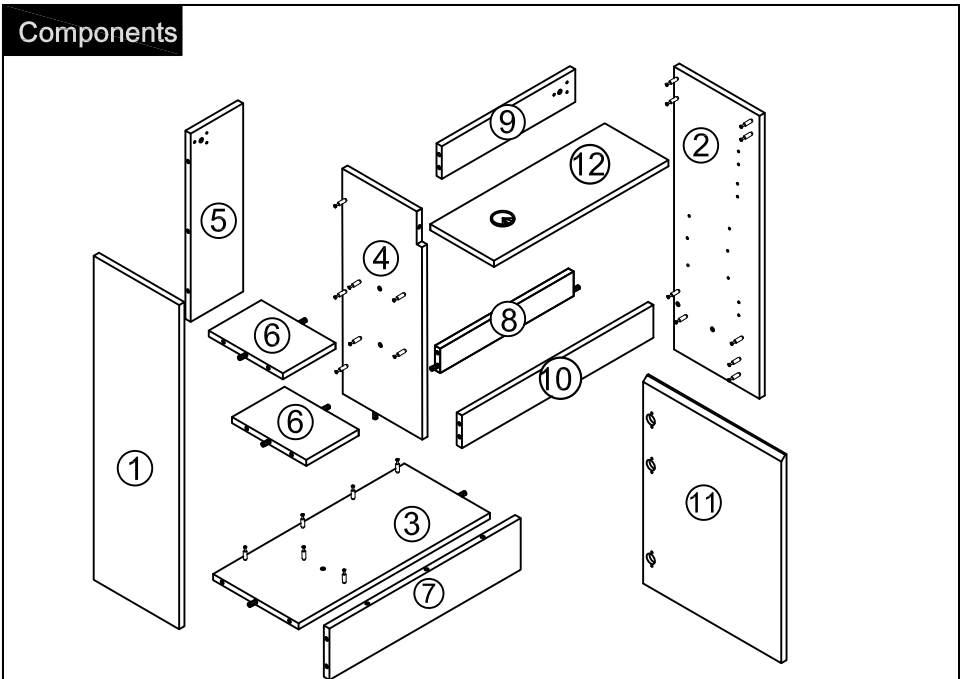
CARE CLEANING AND MAINTENANCE

1. Dust regularly with a soft , dry cloth.
2. Avoid the use of all chemicals household cleaners, abrasives, or cleaners that contain lemon, vinegar, or other acids that may damage the finish.
3. Excessive exposure to sunlight and extreme changes in temperature and moisture can damage wood furniture.
4. The sink is fragile, please pay attention to maintaining its appearance.
5. Do not place hot appliances, such as curling irons and hot hair dryers directly on the countertop. Wipe spills immediately.

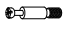


Dimensions

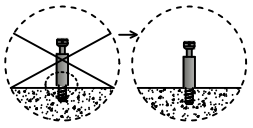
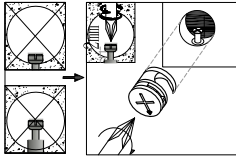
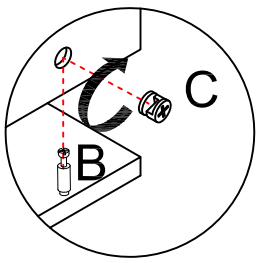
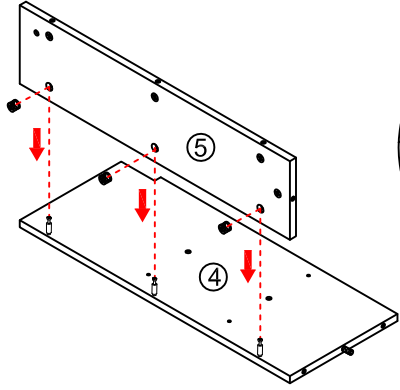


Components

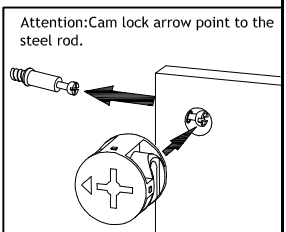


Step 1

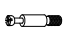



-  x3
- B**
-  x3
- C**
- 
- M**

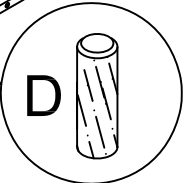
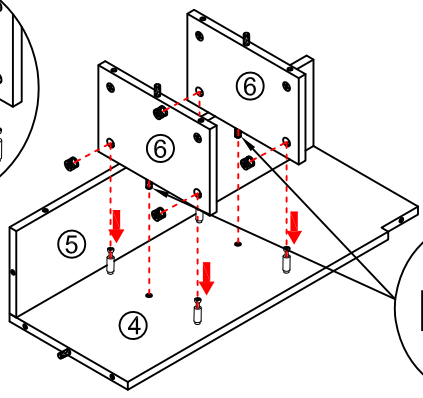
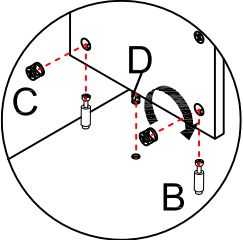


Notes: Screw installation depth as shown



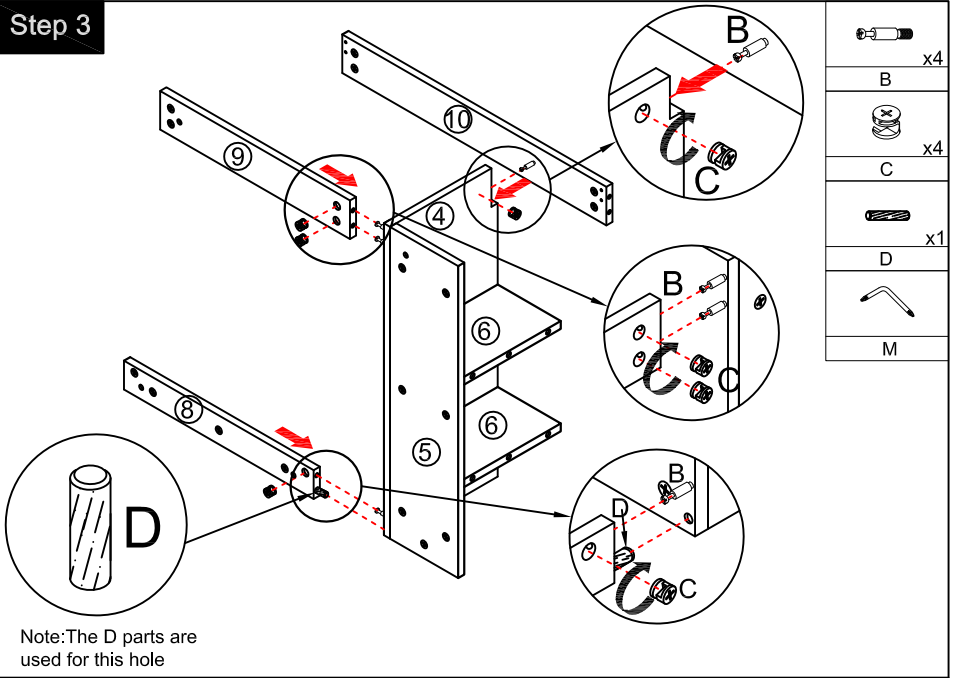
Step 2

-  x4
- B**
-  x4
- C**
-  x2
- D**
- 
- M**

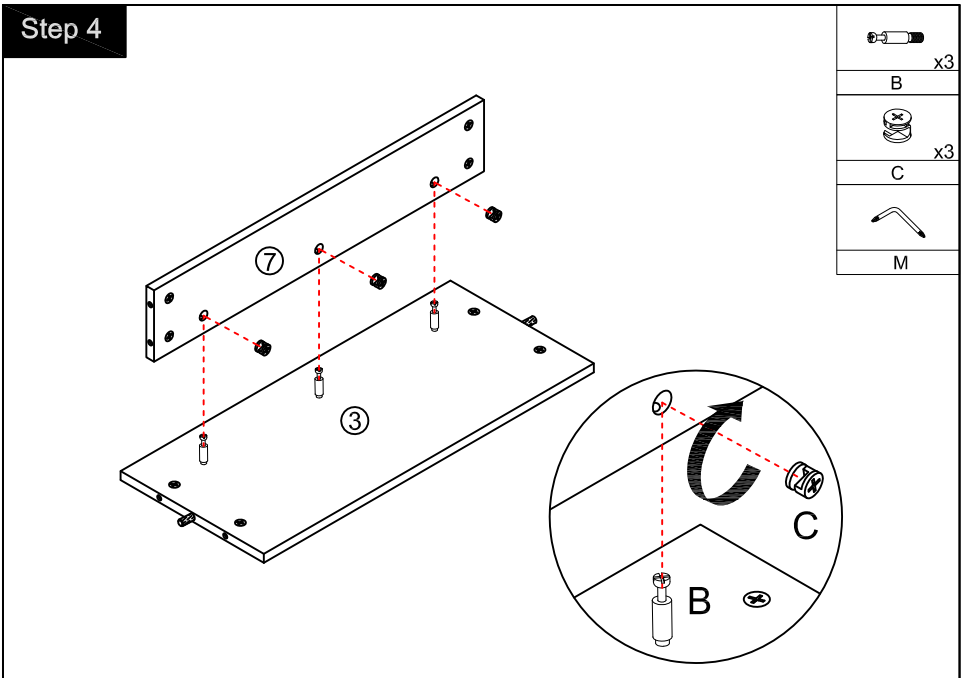


Note: The D parts are used for these two holes

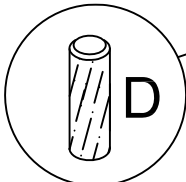
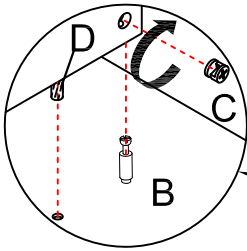
Step 3



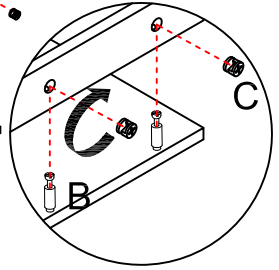
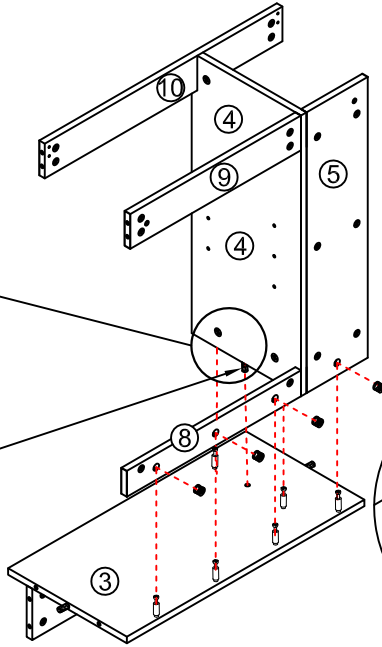
Step 4



Step 5

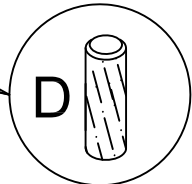
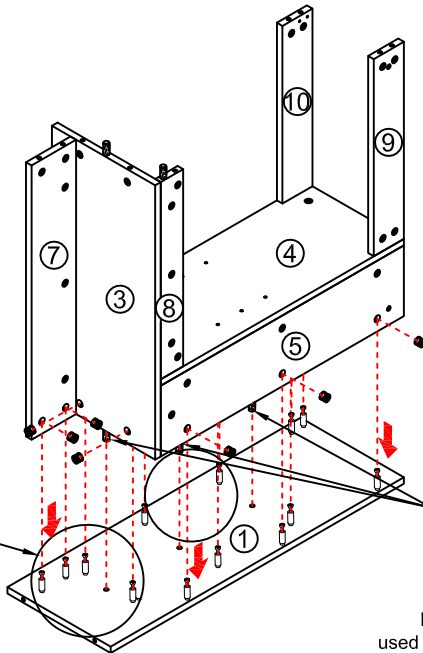
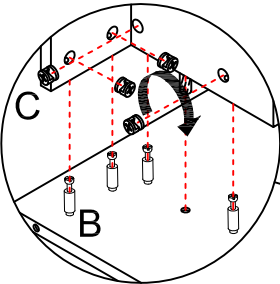


Note: The D parts are used for this hole



	x6
B	
	x6
C	
	x1
D	
M	

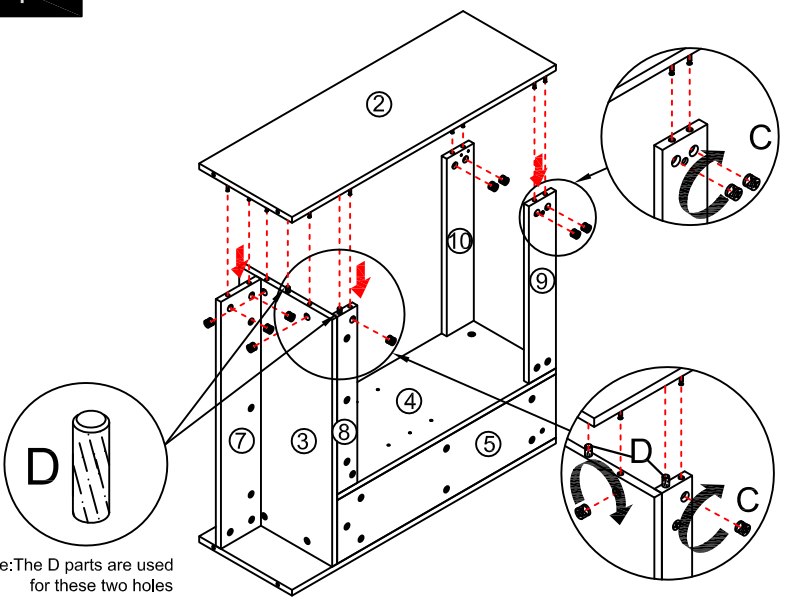
Step 6

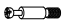





Note: The D parts are used for these three holes

	x13
B	
	x13
C	
	x3
D	
M	

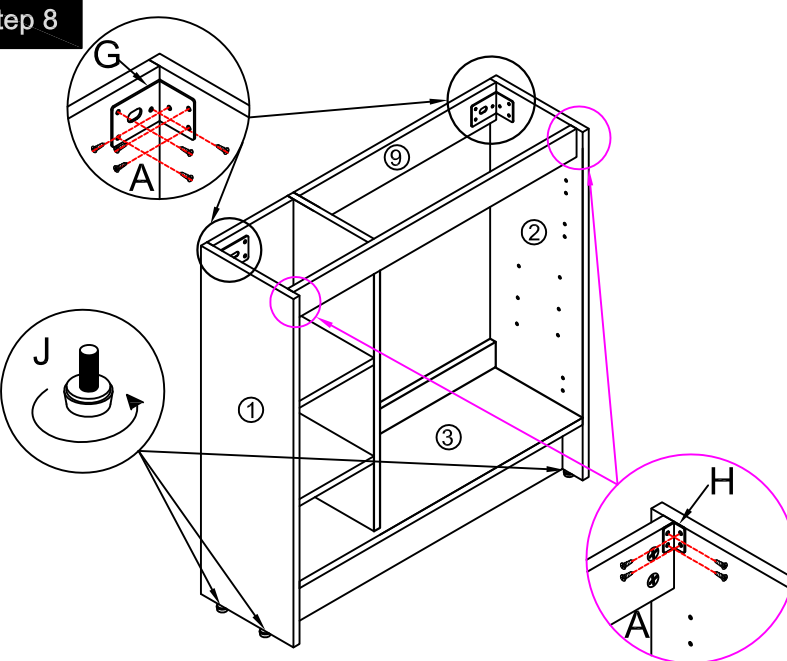
Step 7








-  x9
- B
-  x9
- C
-  x2
- D
- 
- M

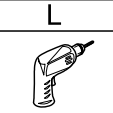
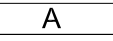
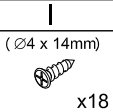
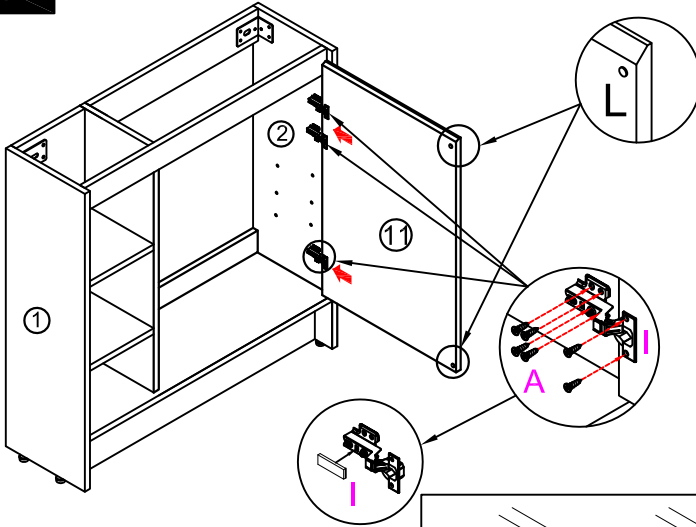
Note: The D parts are used for these two holes

Step 8

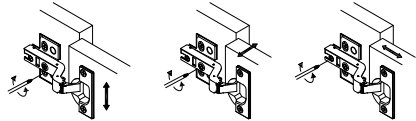


-  x2
- G
-  x2
- H
- ($\varnothing 4 \times 14\text{mm}$)
-  x20
- A
-  x4
- J
- 
- Tool

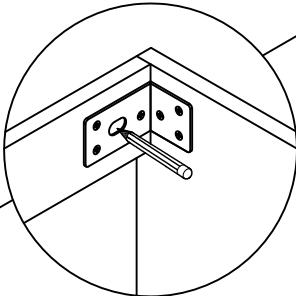
Step 9



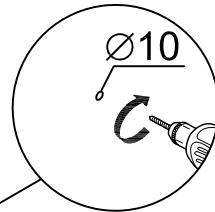
You can adjust the doors by tightening or loosening the screws on the hinge. →



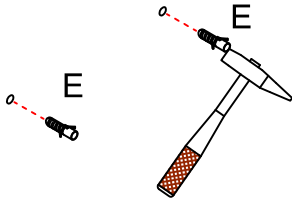
Step 10


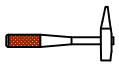


Step 11

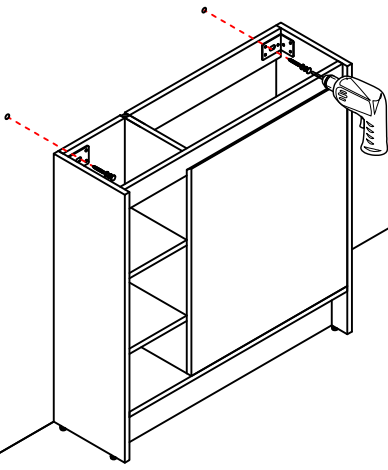


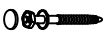

Step 12

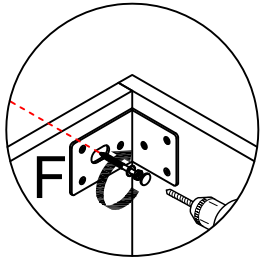


	x2
E	
	
Tool	

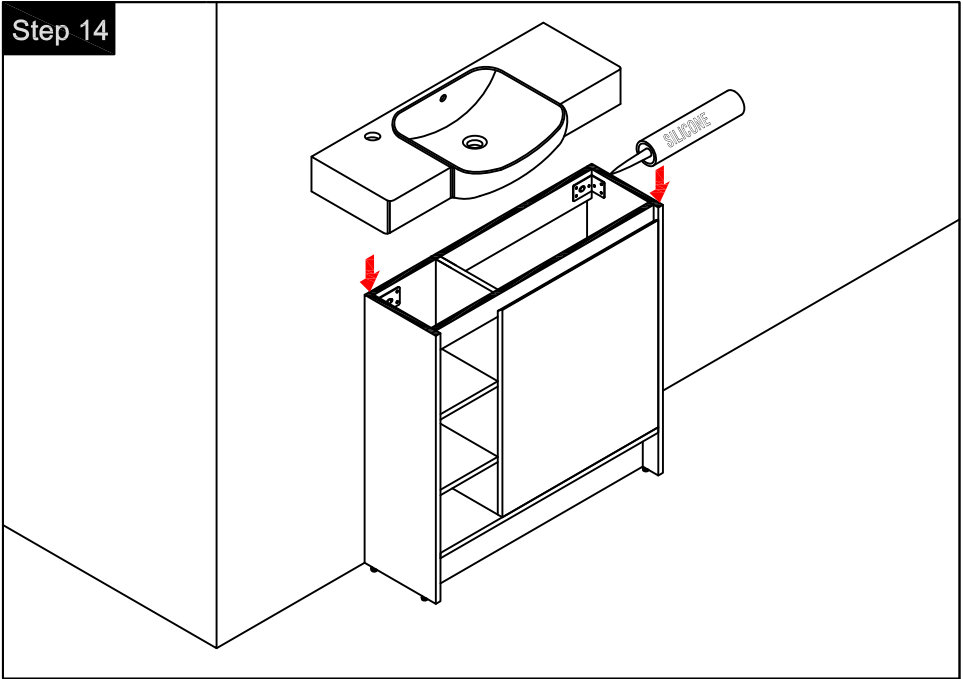
Step 13



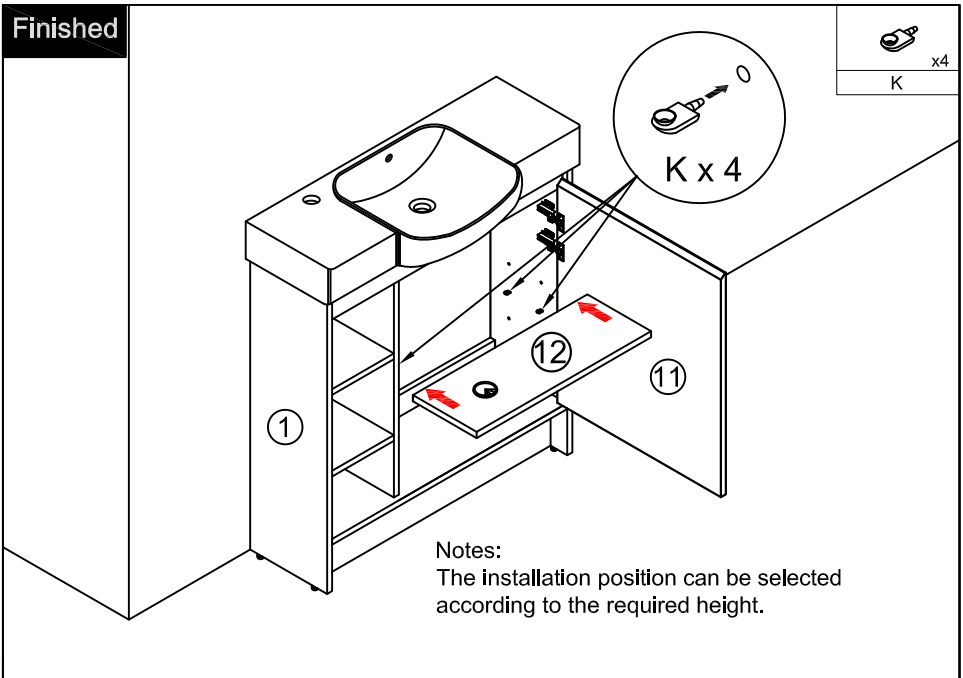
	x2
F	
	
Tool	



Step 14



Finished



Notes:
The installation position can be selected according to the required height.