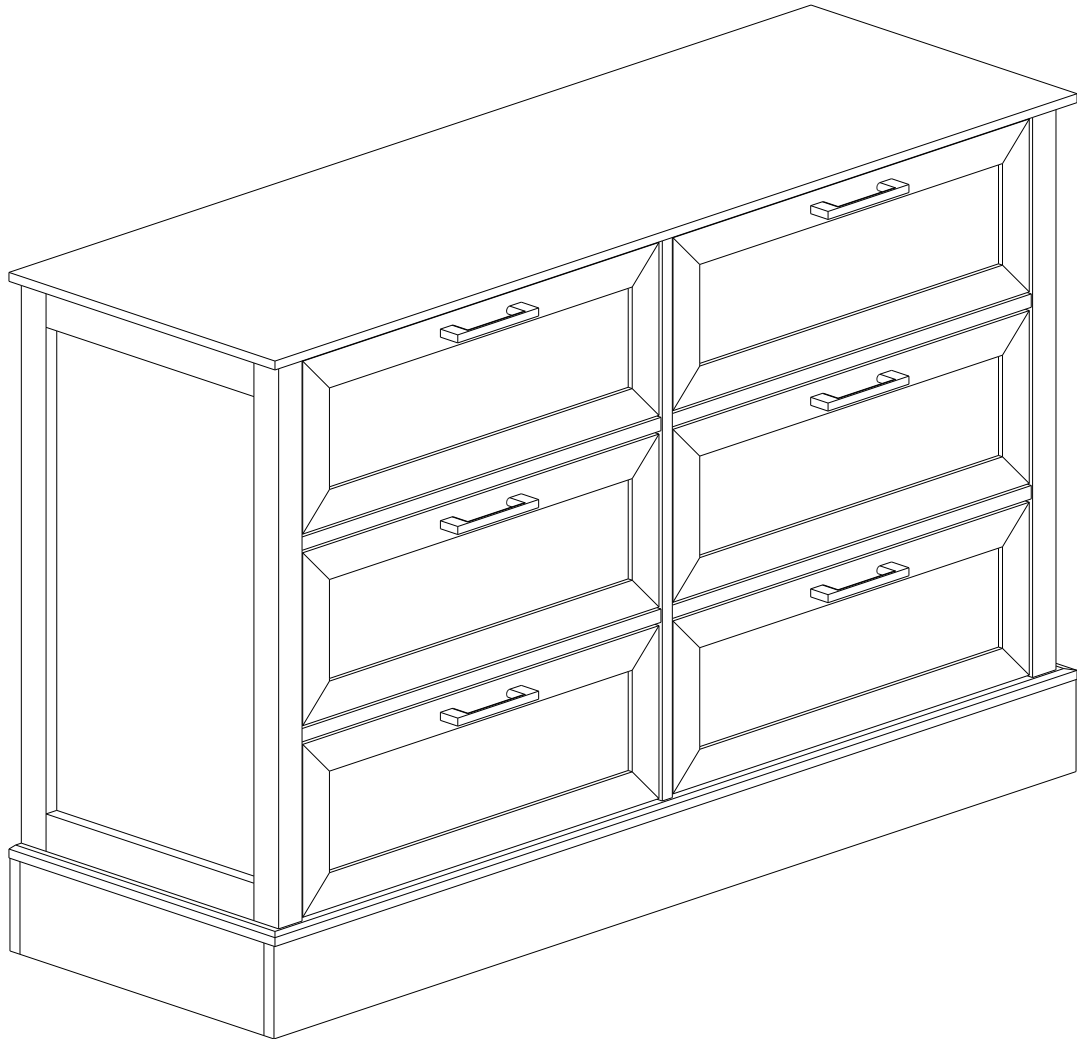
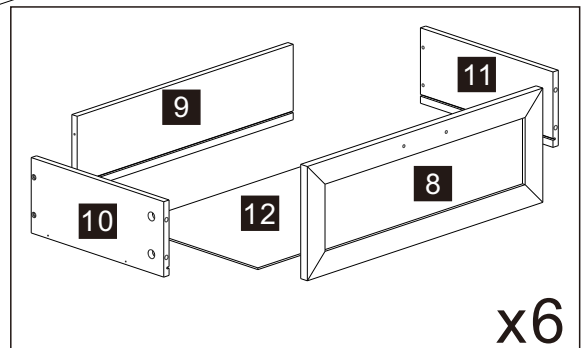
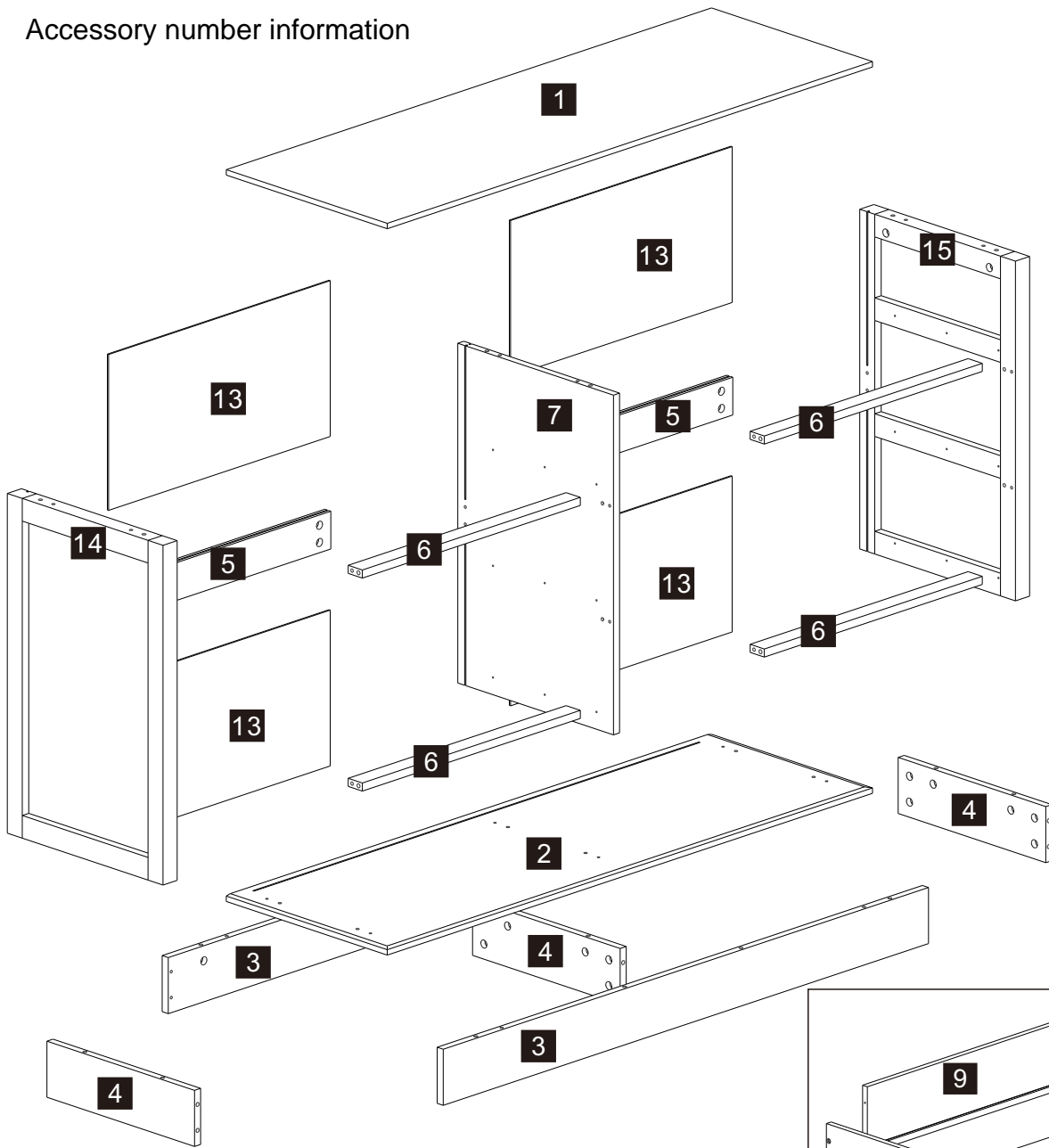


3-6 Drawer Instructions

Product Operation Guide

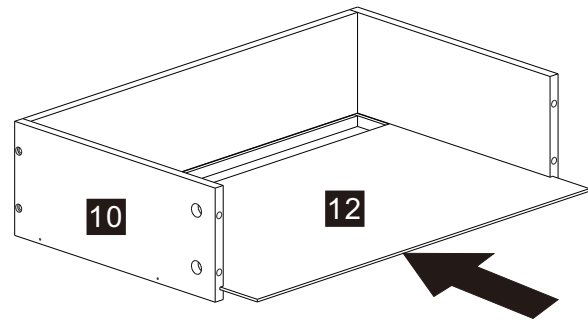
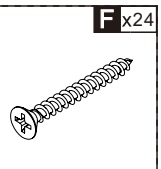
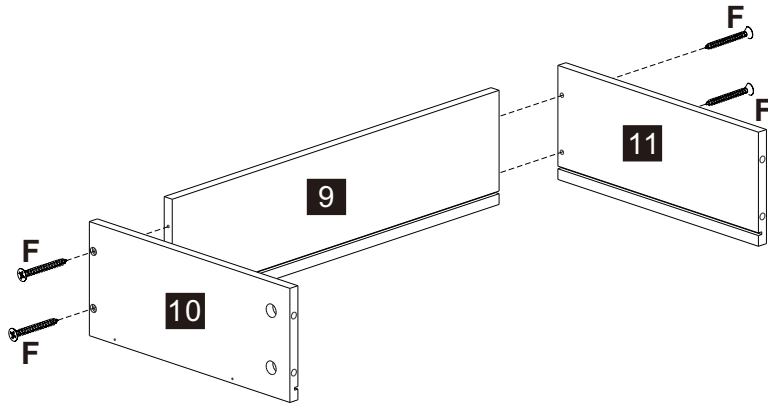


Accessory number information



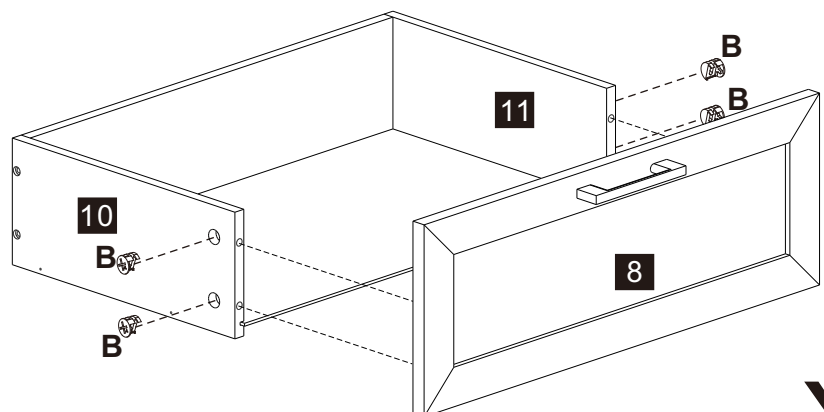
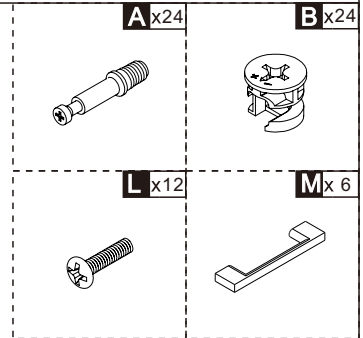
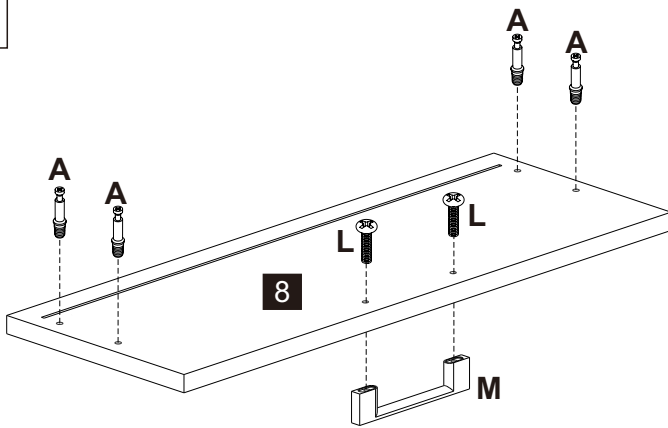
A x72	B x72	C x12	D x12	E x60	F x24	G x 8
H x 2	I x 4	J x 2	K x 2	3x12mm L x12	4x30mm M x 6	4x35mm N x 8
O x 8	P x 6					3x14mm

1



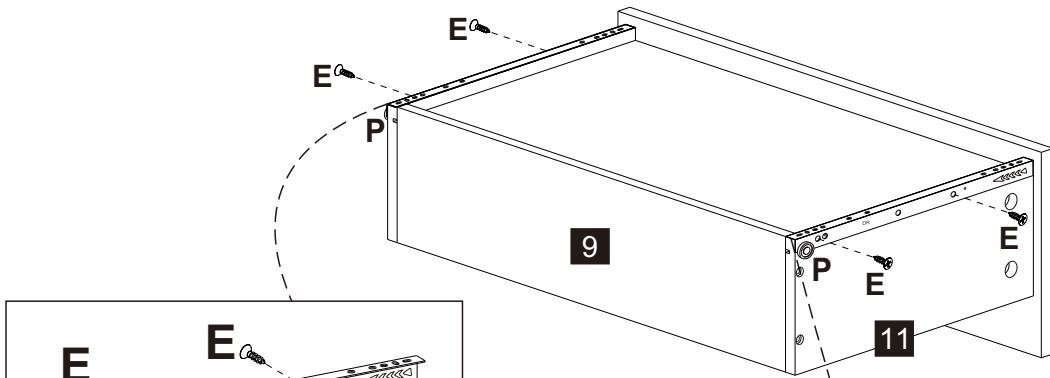
x6

2



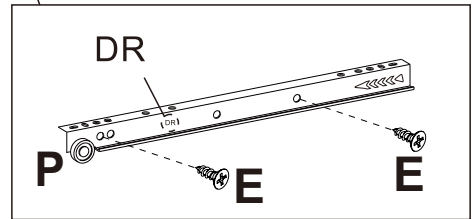
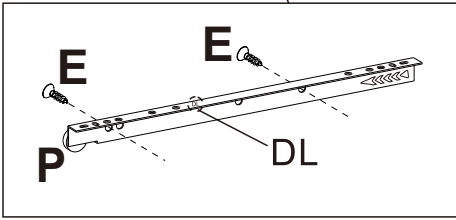
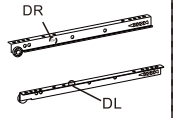
x6

3



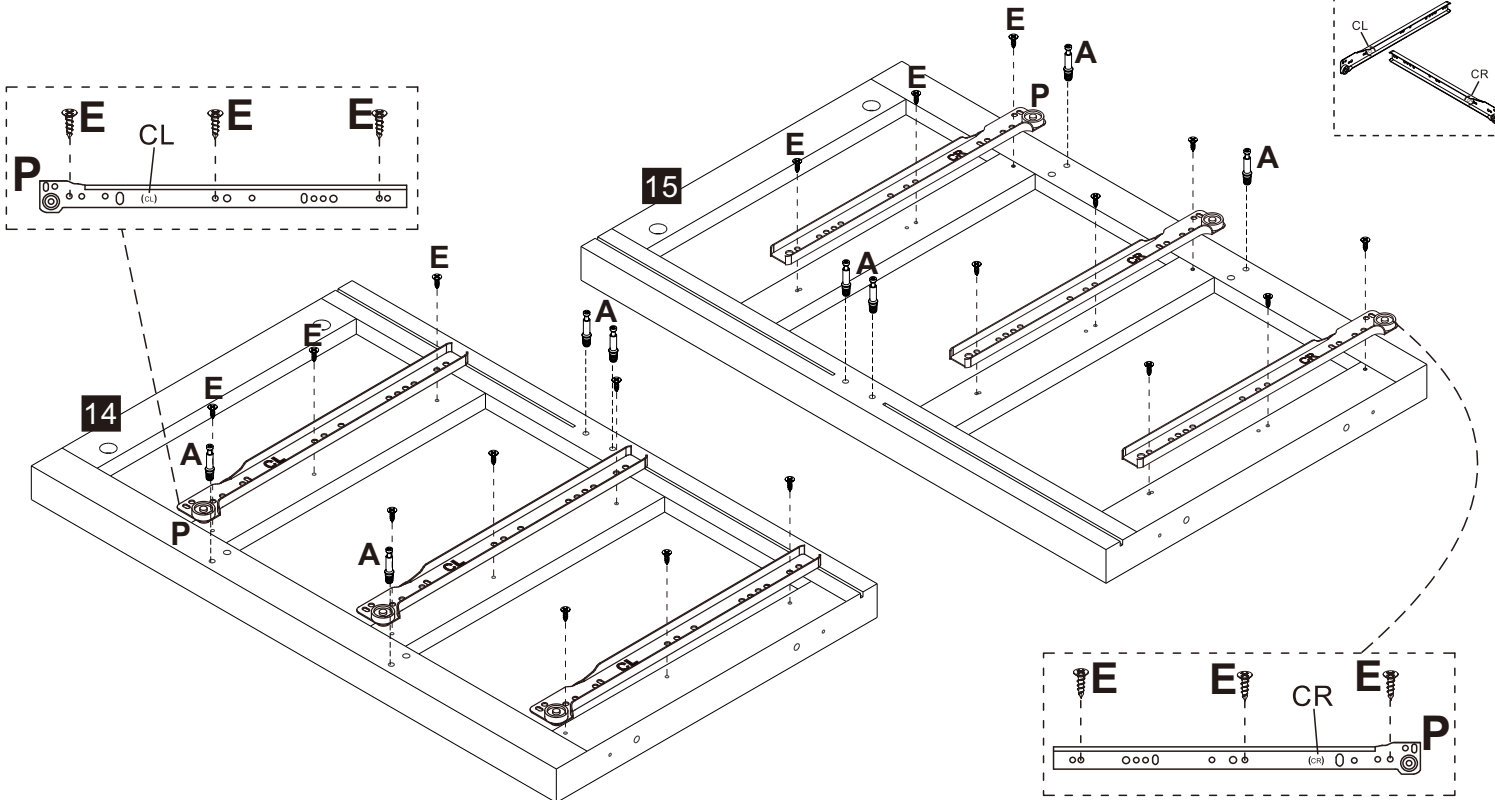
E x24

P x 6



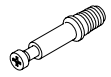
x6

4

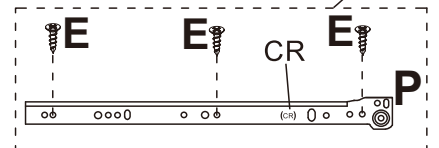
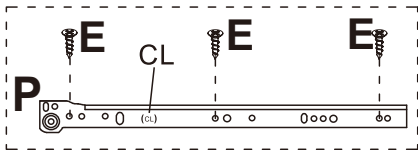
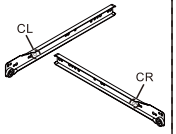


A x 8

E x18



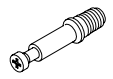
P x 3



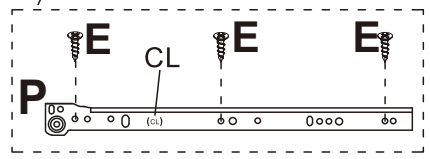
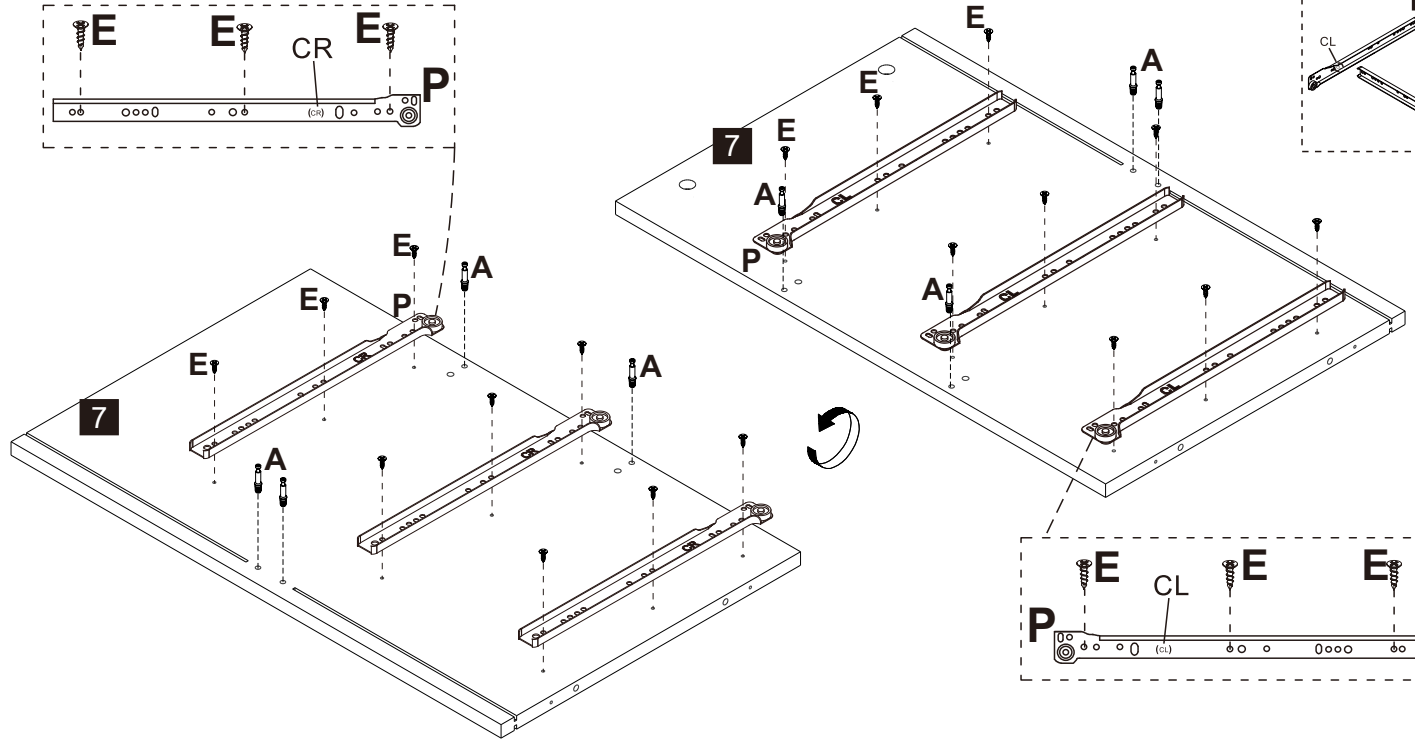
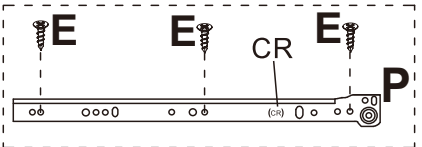
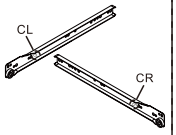
5

A x 8

E x 18



P x 3

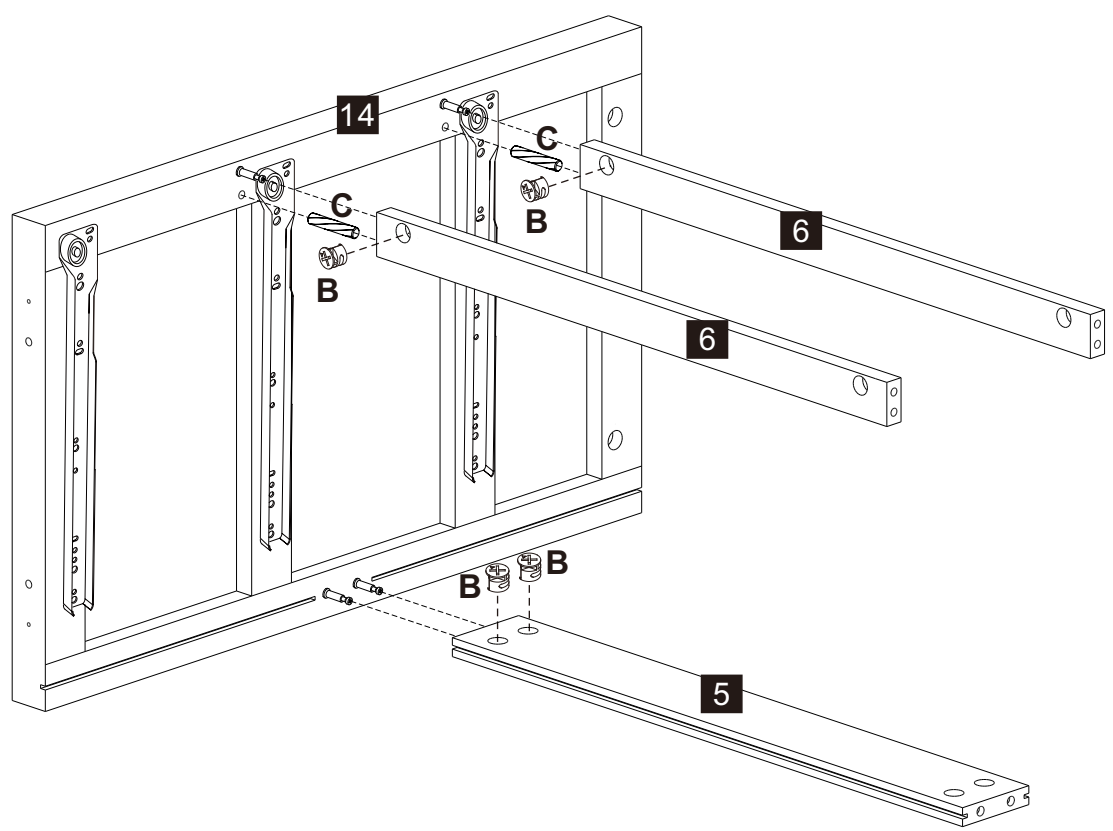
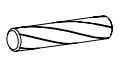


6

B x 4



C x 2



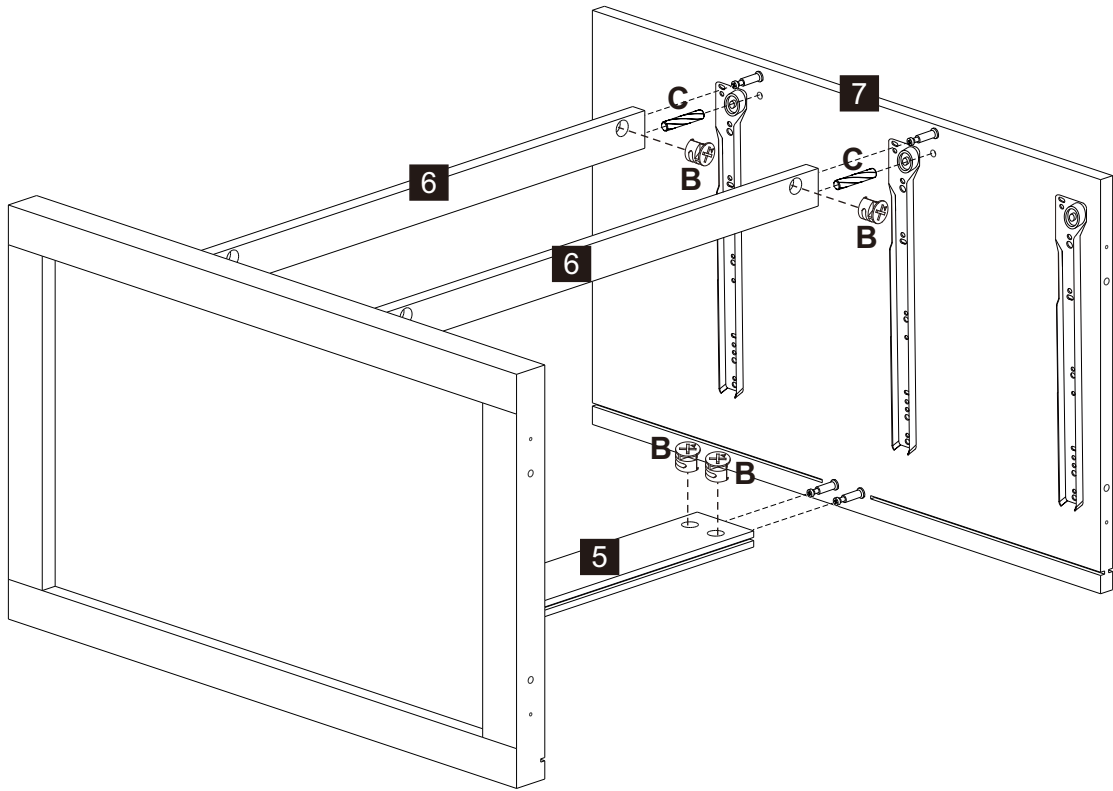
14

6

6

5

7



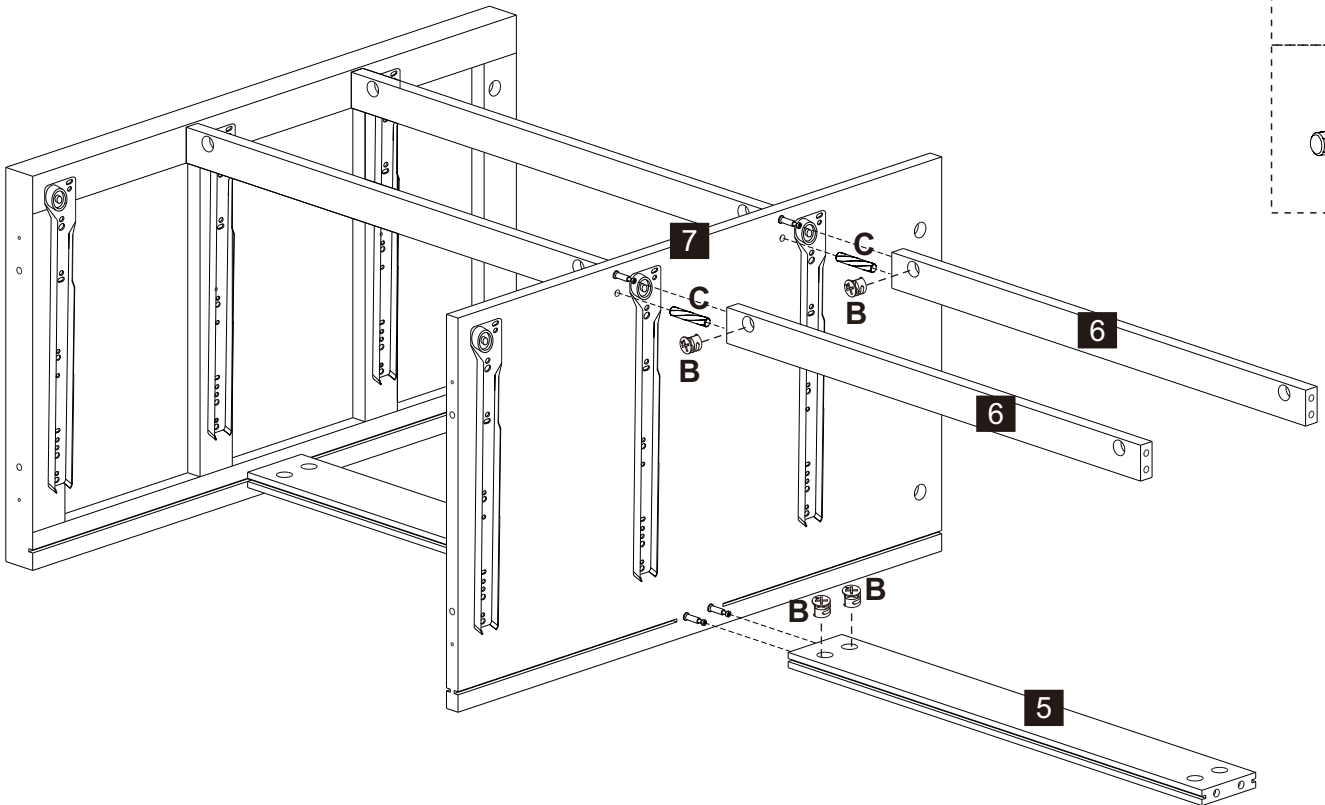
B x 4



C x 2



8



B x 4



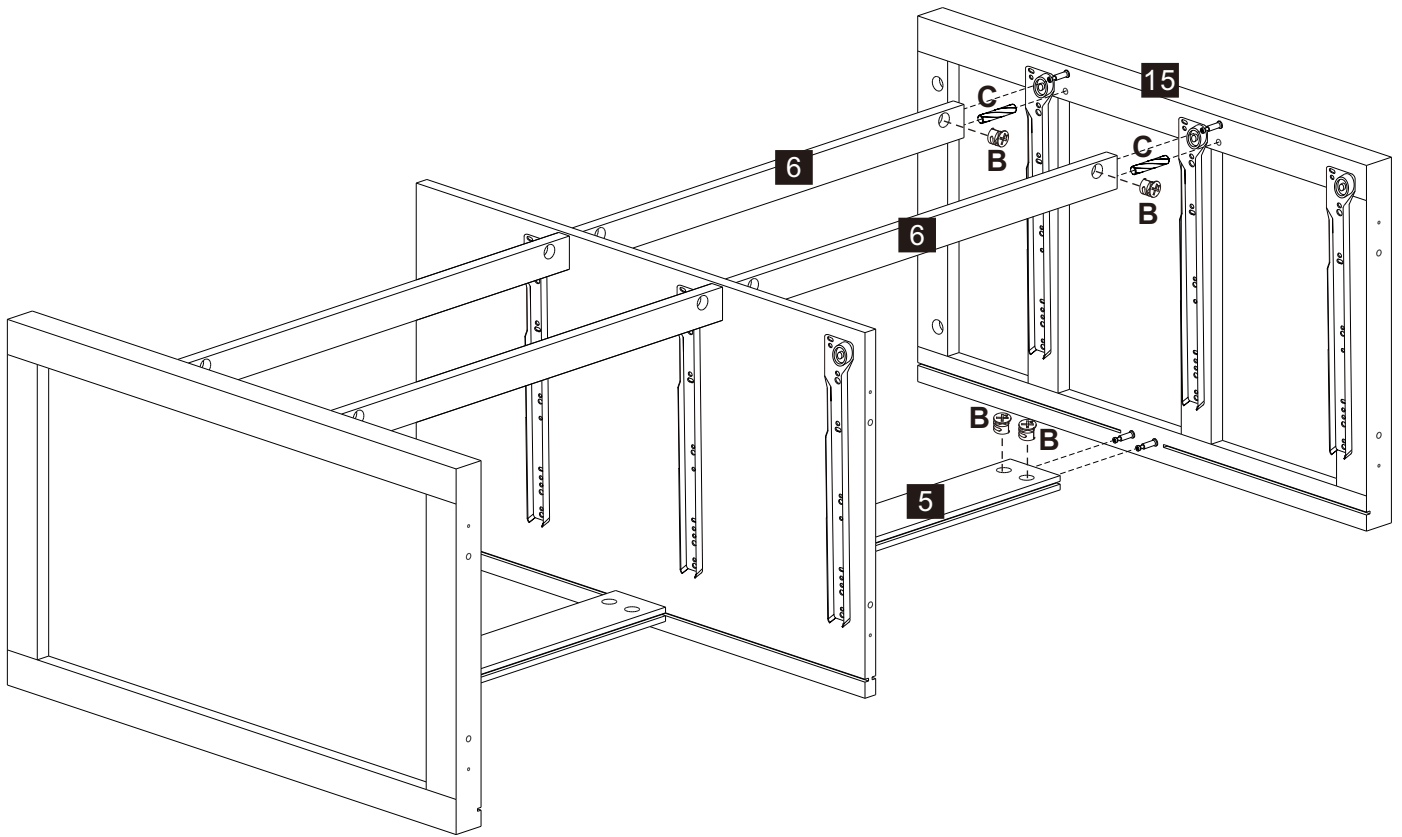
C x 2



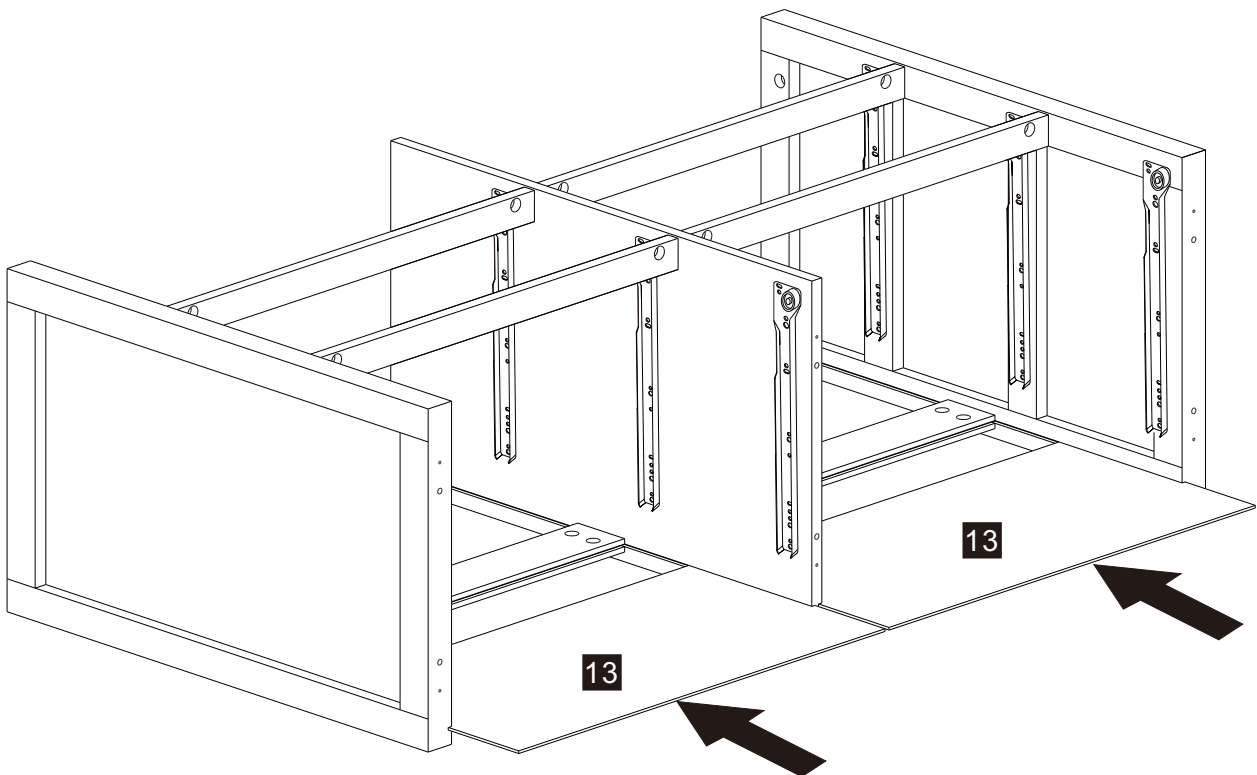
9

B x 4

C x 2

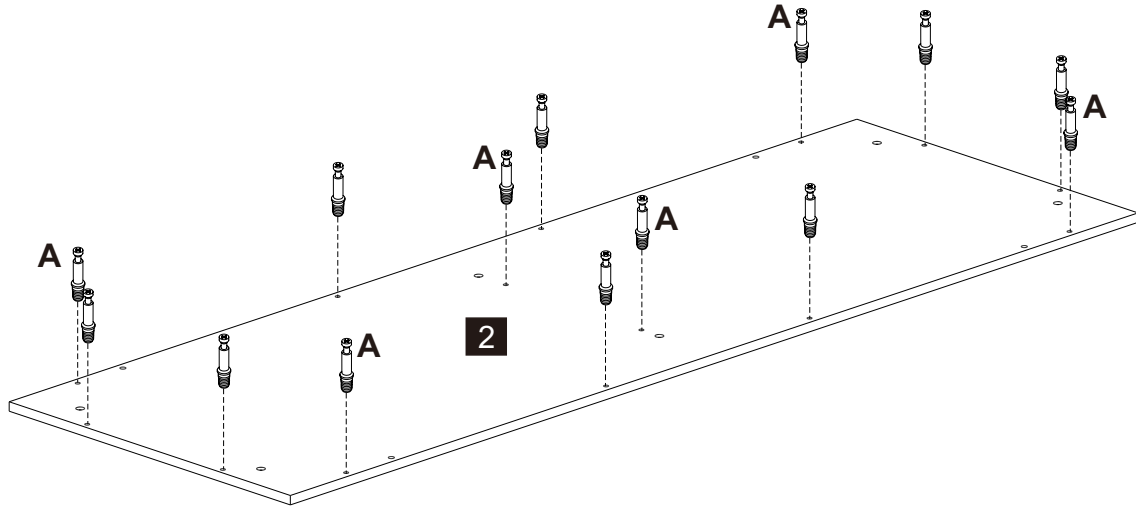


10



11

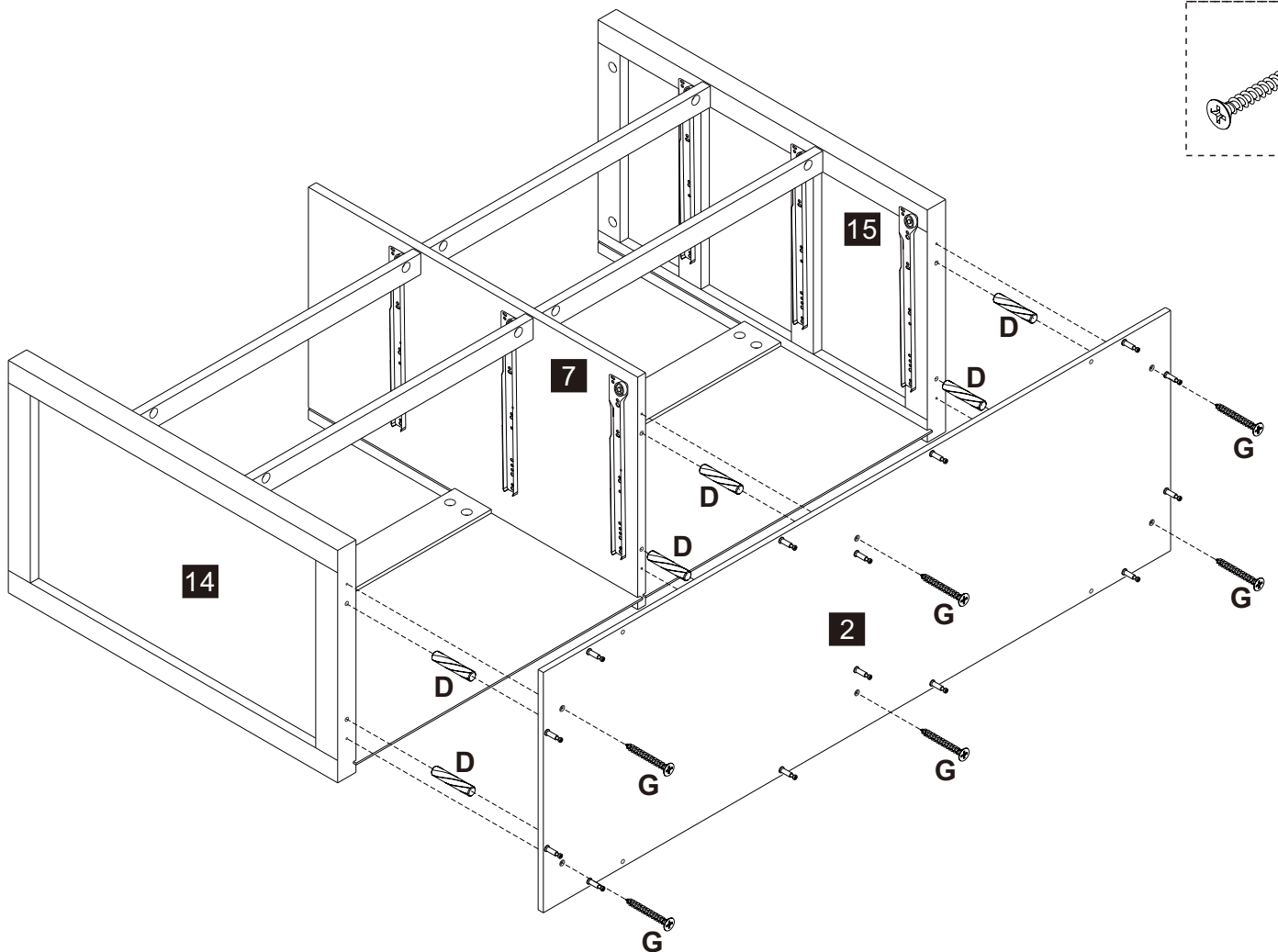
A x14



12

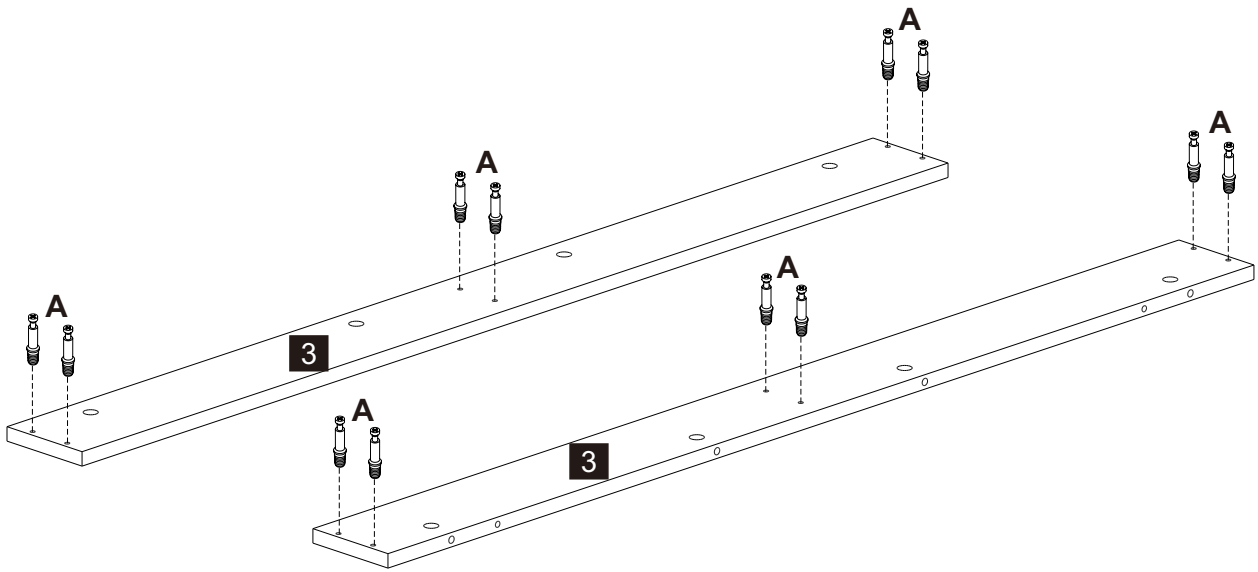
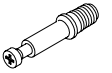
D x 6

G x 6



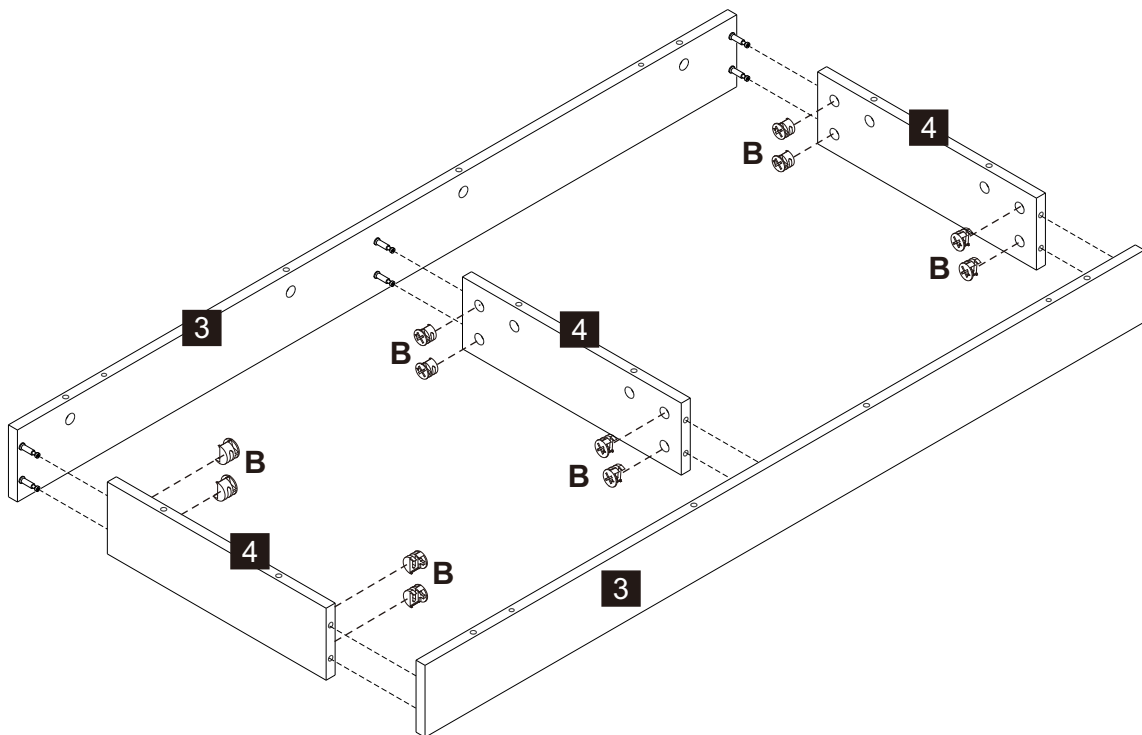
13

A x12



14

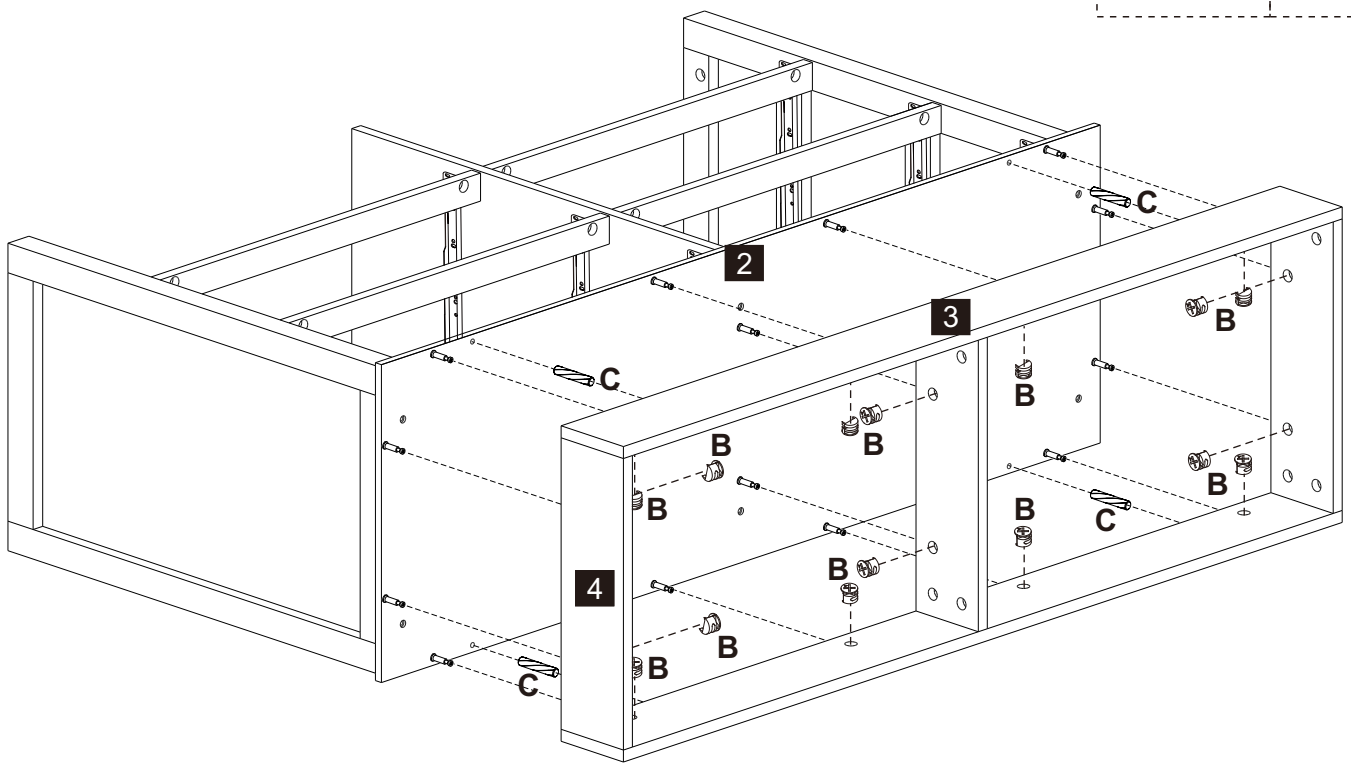
B x12



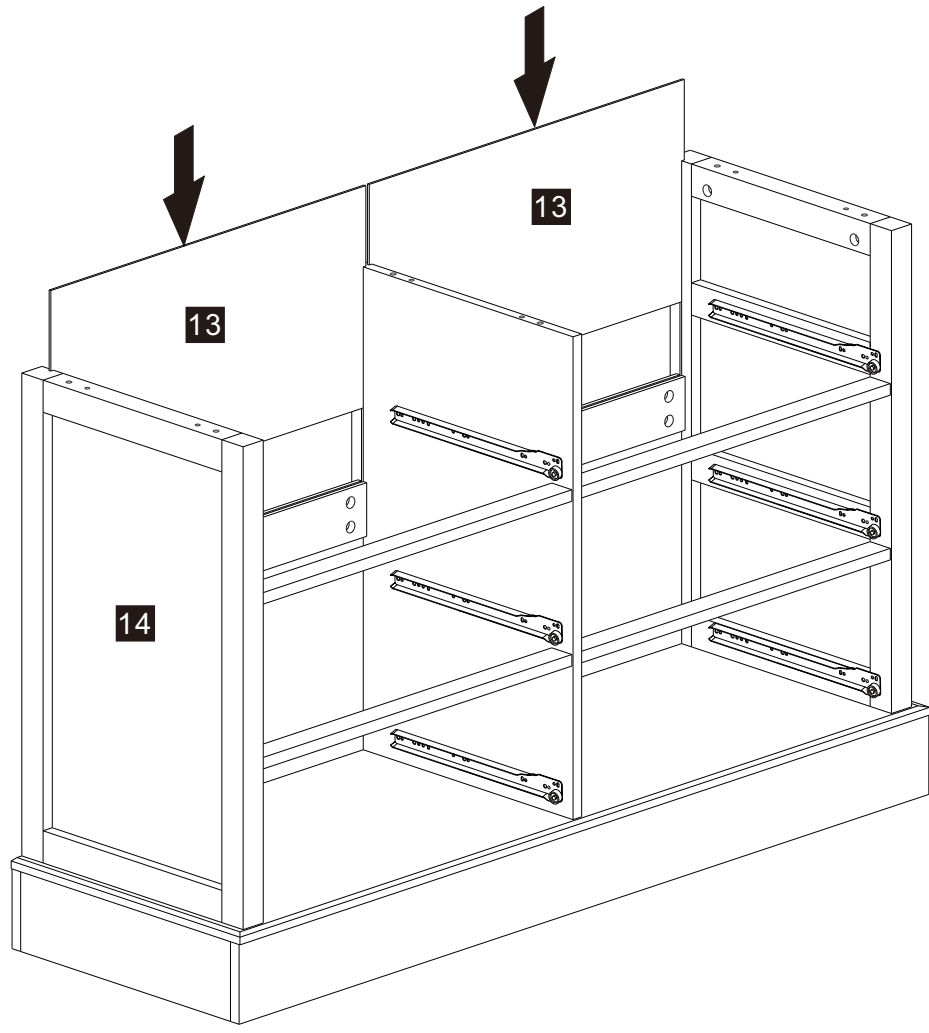
15

Cx4

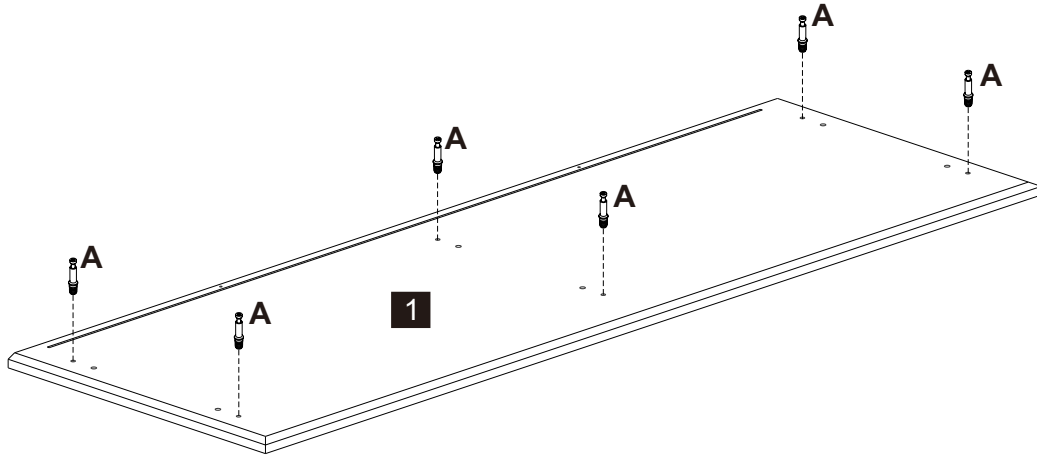
Bx14



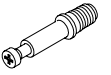
16



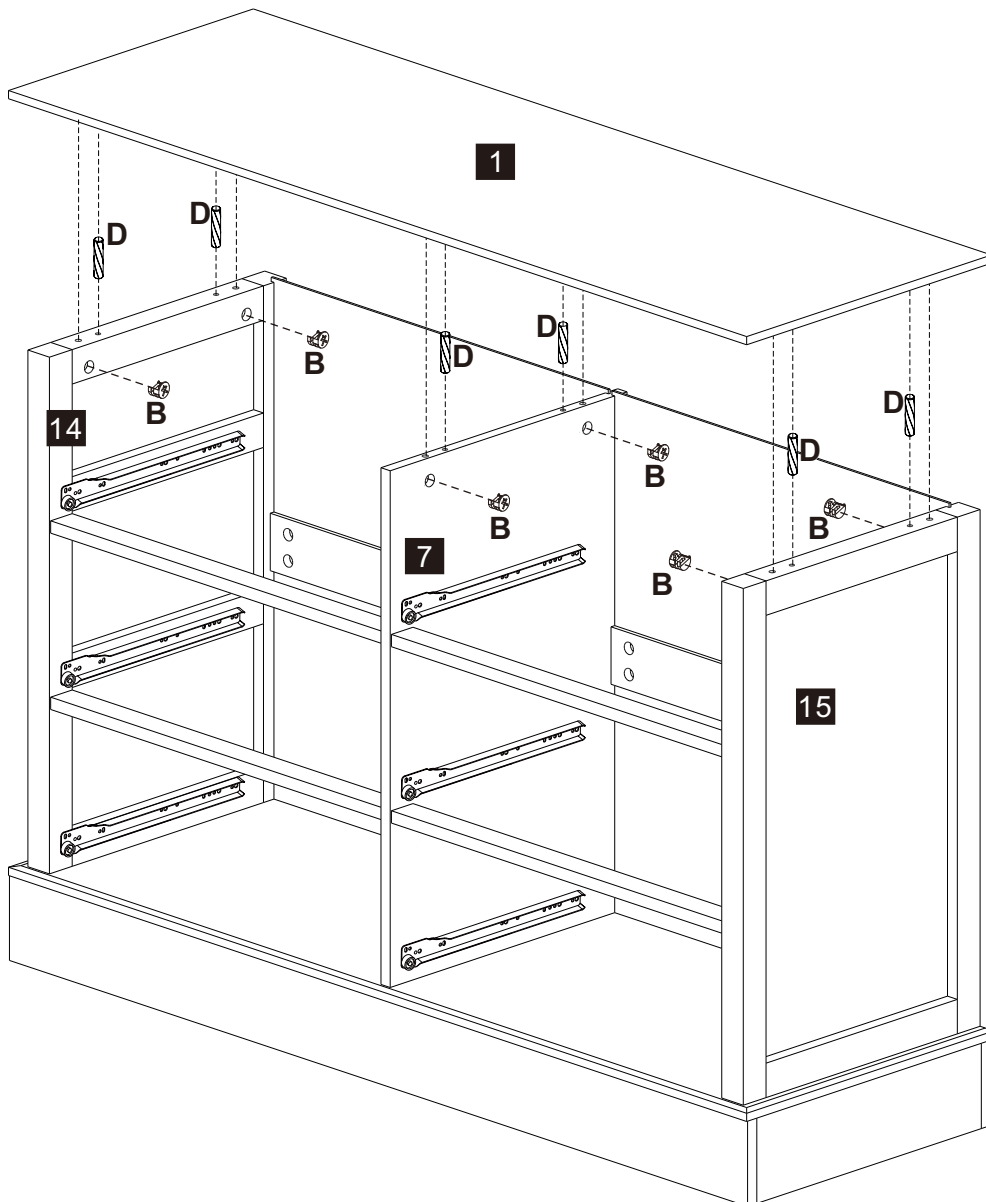
17



A x 6



18



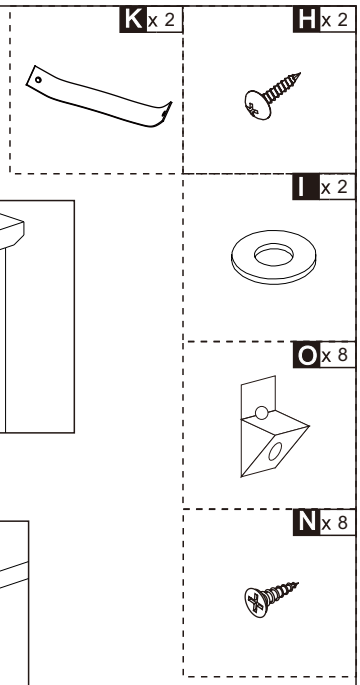
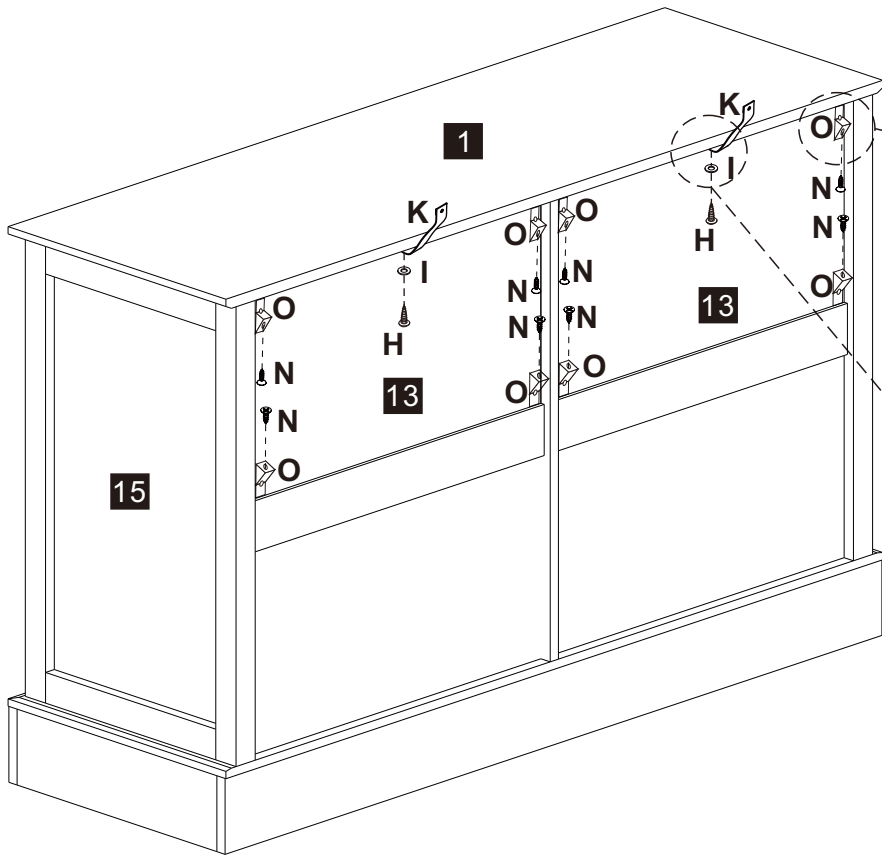
B x 6



D x 6



19



20

