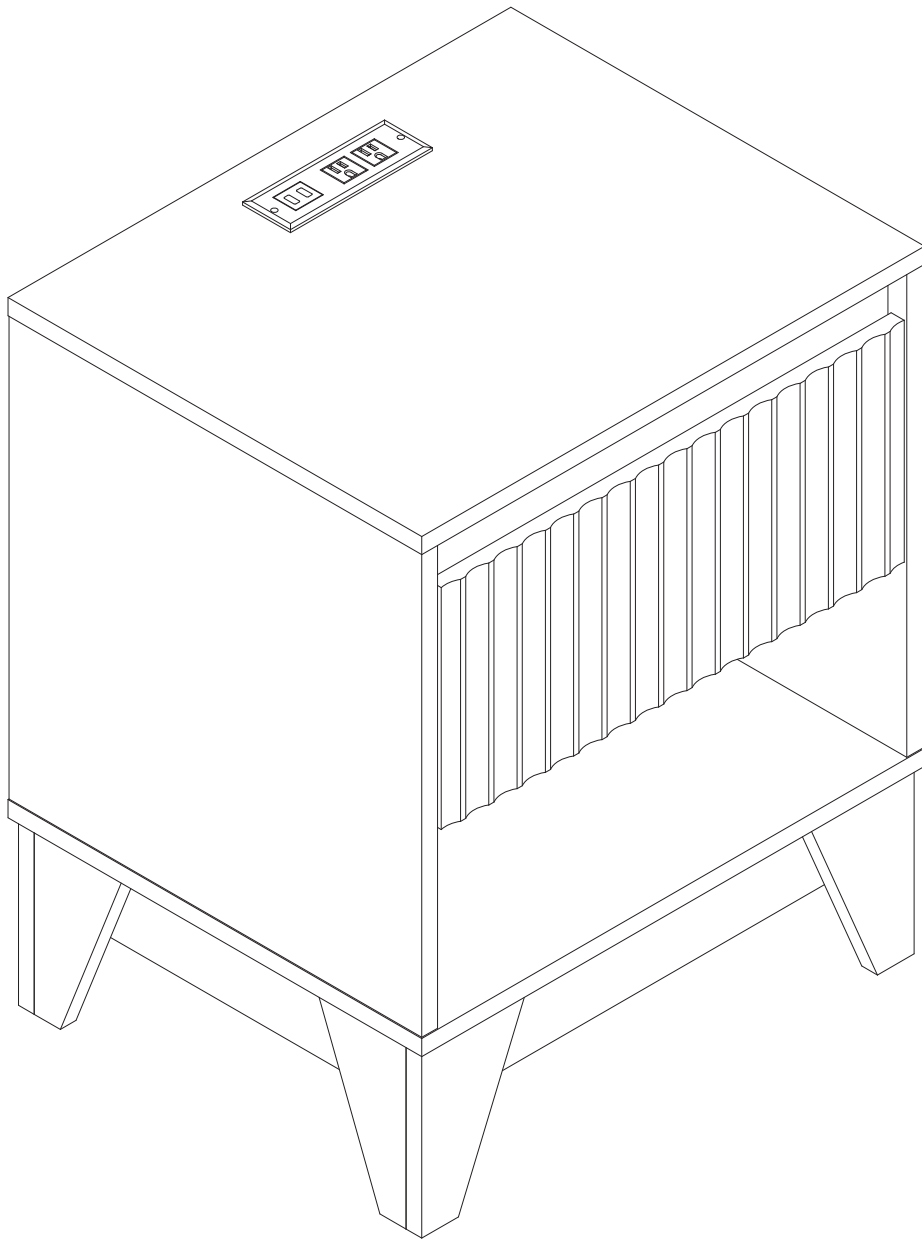


Nightstand

Assembly Instructions



Please read this manual carefully before any operation
and keep it properly for future use.

General Guidelines

1. Please read the following instruction carefully and use the product accordingly.
2. Please keep this manual and hand it over when you transfer the product.
3. This summary may not include every detail of all variations and considered steps. Please contact us when further information and help are needed.

Notes

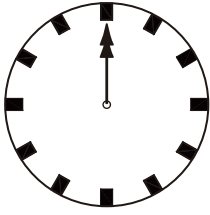
1. This item is only intended to be used indoors. Personal injury and/or damage to product may occur if products are used outside of their intended purposes and/or if products have been changed/modified from their original design. The product must be assembled and used in accordance with the provisions of the manual. The seller does not assume any responsibility or liability with respect to any damage caused by incorrect assembly or improper use.
2. It is recommended that assembly is undertaken by at least 2 adults. Please read assembly instructions before assembly and strictly adhere to each step outlined.
3. If there is/are defective and/or missing part/s after unpacking, please cease assembly immediately and get in contact with us.
4. Please assemble the item in a spacious room and do not place the unwrapped product directly on the ground to avoid damage. It is recommended to wear gloves during the assembly to avoid scratches from any sharp edges.
5. Please do not stand, sit or place heavy items on the wooden boards or other parts before assembly to avoid cracks or distortion of the wooden boards. Cracks or distortion will affect the assembly and normal use.
6. Please match the corresponding board and fitting based on the part number in the manual. If the board does not match with the fitting, please check the pieces as specified in this manual.

7. Please refer to the diagram during assembly. Align all screws with the related pre-drilled holes first and later tighten the screws one by one only after putting all the parts in their correct places.
8. Please note that each type of screw has a spare screw.
9. Periodically inspect screw tightness while the product is in use. If necessary, retighten to ensure structural integrity.
10. Do not expose product to direct sunlight or rain; and do not put it in a humid place. Failure to do so may accelerate the distortion, discoloration or cause fissures. Never touch with sharp objects or corrosive chemicals, which may damage the surface of the item.
11. For daily care, please clean with a damp cloth, then immediately wipe dry.

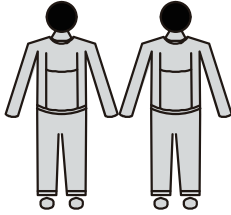
Warnings

1. It is strictly prohibited to sit or stand on the product.
2. Please put this item on a flat ground.
3. Don't use an electric drill to assemble this item.
4. It is not intended for use by children under 3 years of age. Children must be under adult supervision to use the product.
5. It is forbidden children to climb or play on the product to avoid serious body injury caused by the toppling.
6. During the assembly process, keep any small parts out of the reach of children. It may be fatal if swallowed or inhaled.
7. To avoid the potential dangers of suffocation, please keep all parts and packaging (films, plastic bags and foam, etc.) away from babies and children. It is strictly prohibited to sit or stand on the product.

General Guidelines

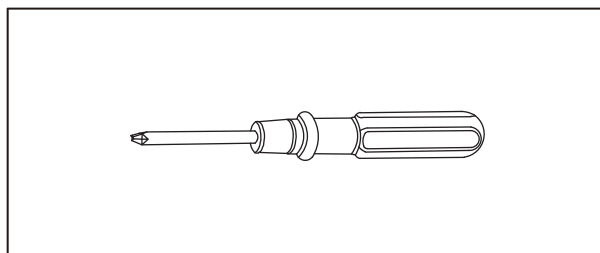


45Mins
(Professionals)
90Mins
(non-professionals)
Assembly time

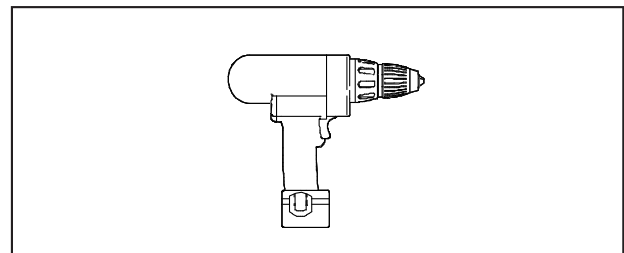


1
One persons

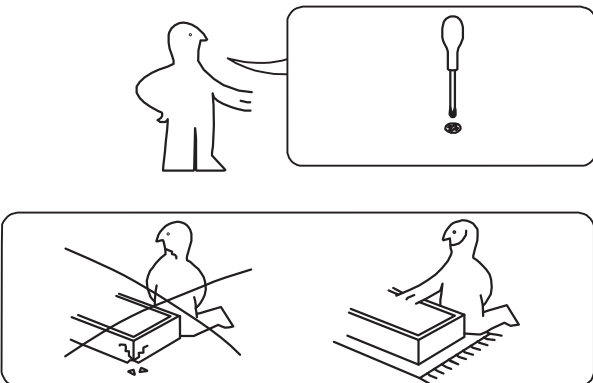
RECOMMENDED TOOLS



Installation tools included



Power tools(not included)



② Handle with care,protective layer is required.

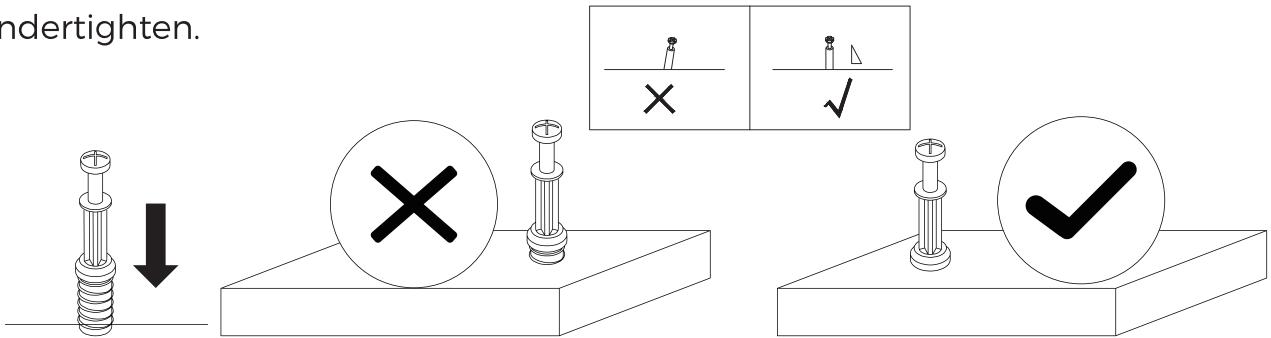


① Safe carriage,multi-people are needed.

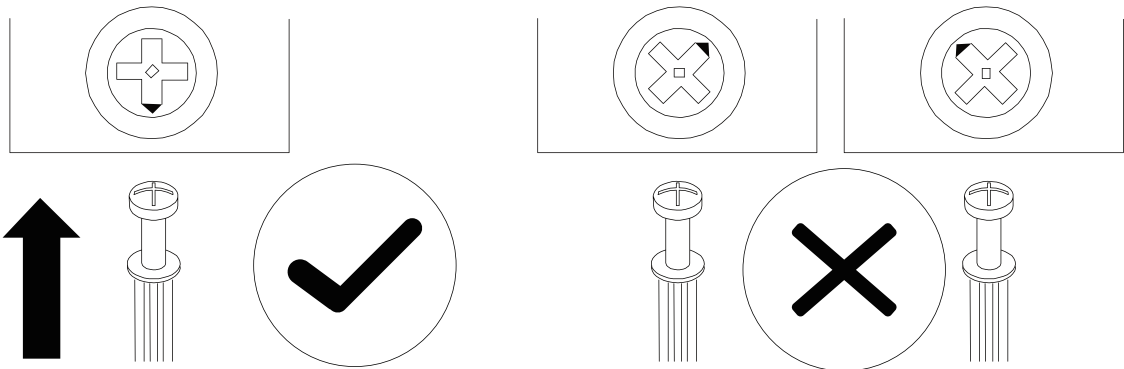
③ In case of any doubts,contact customer service.

USING CAM LOCK AND QUICKFIT

● Tighten quickfit until shoulder is flush with panel. Do not overtighten or undertighten.



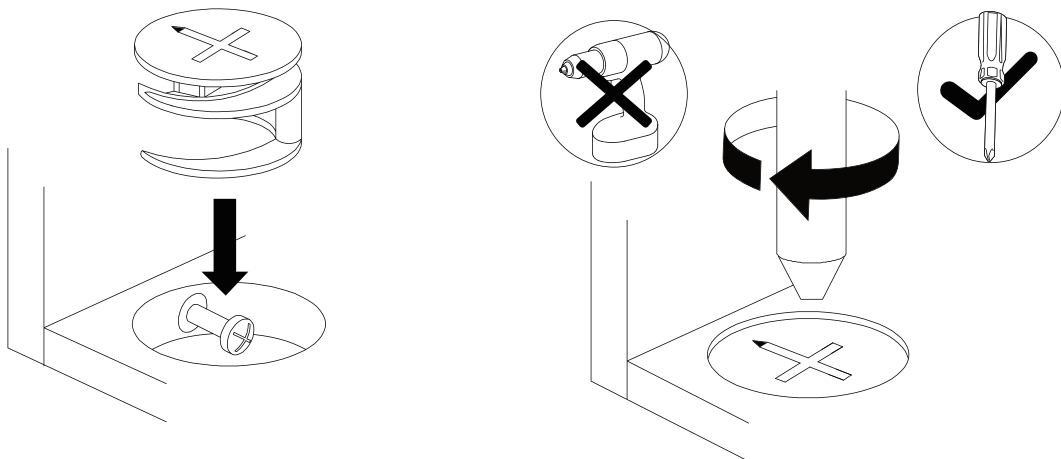
● When fitting cam lock, ensure starting position is correct before you insert connecting quickfit.



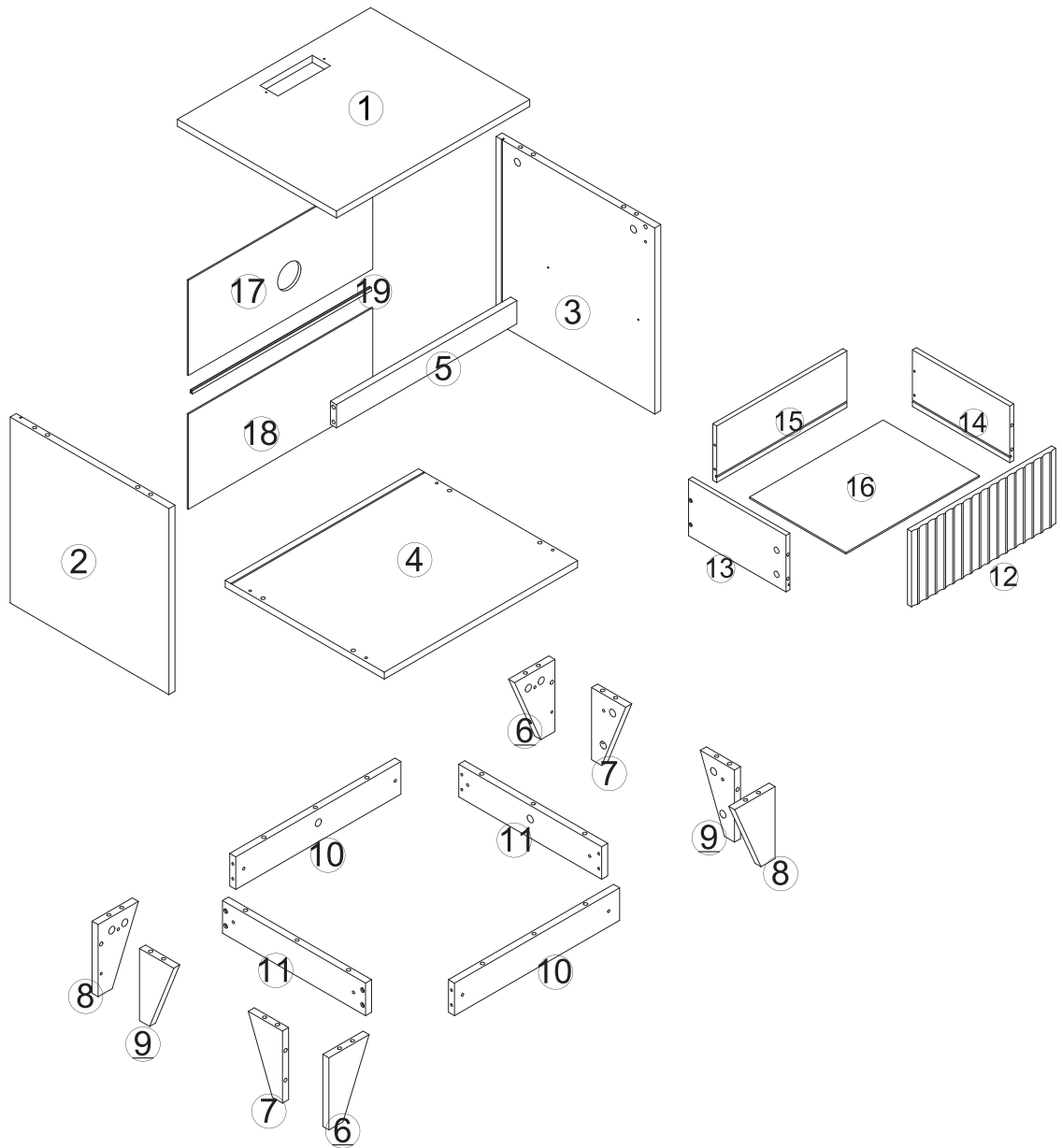
● Quickfit head should be in the centre of the cam lock when the two panels are joined.

● Cam lock should be inserted before quickfit.

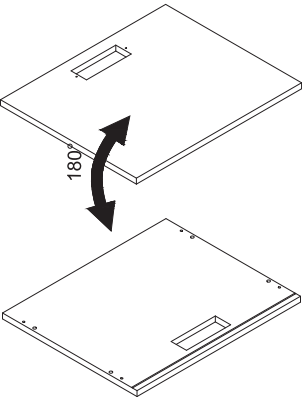
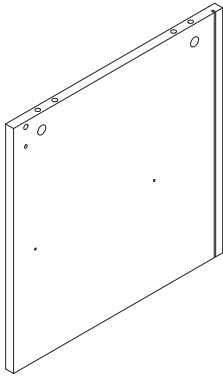
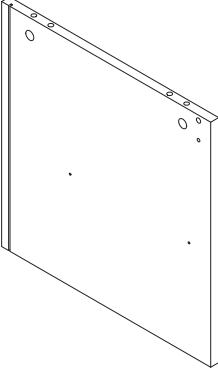
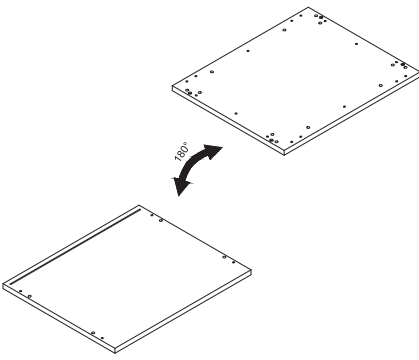
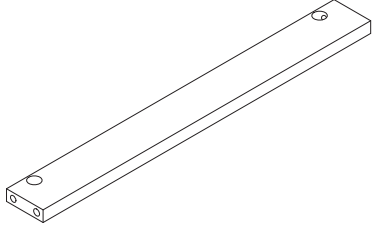
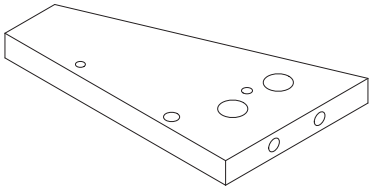
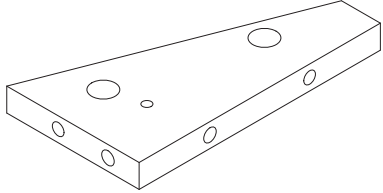
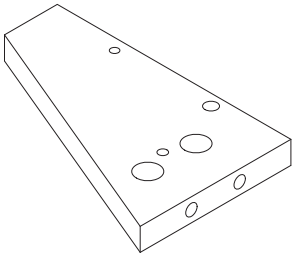
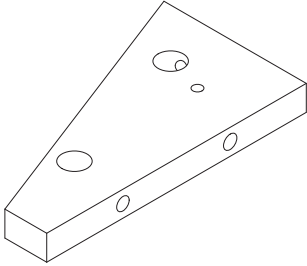
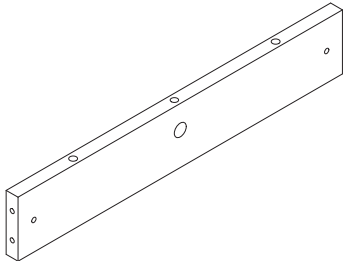
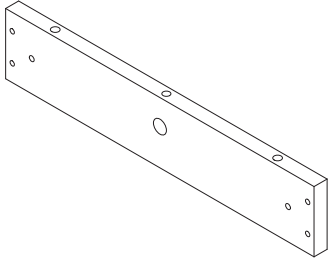
● Turn cam lock clockwise to tighten.



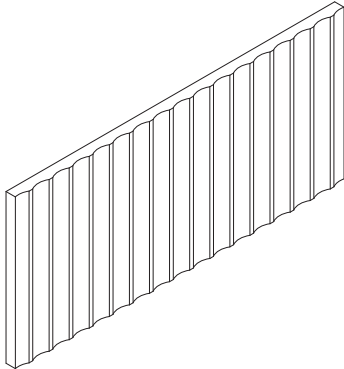
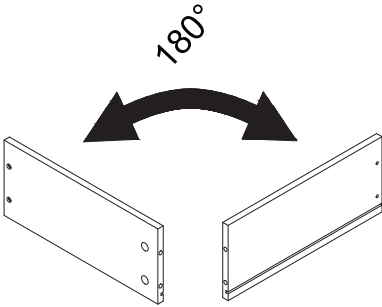
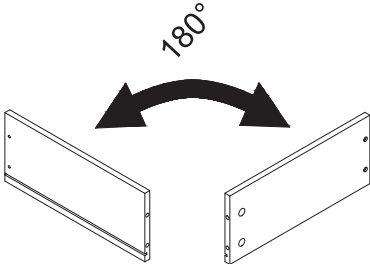
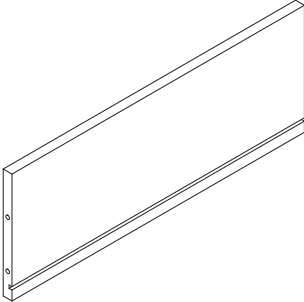
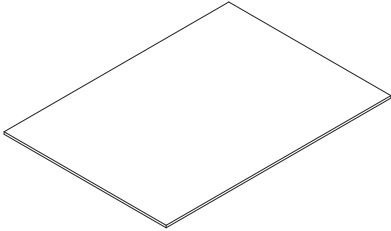
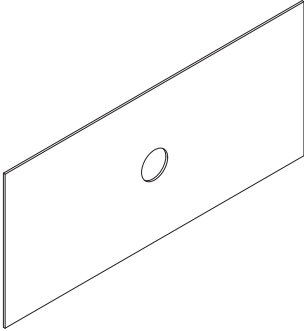
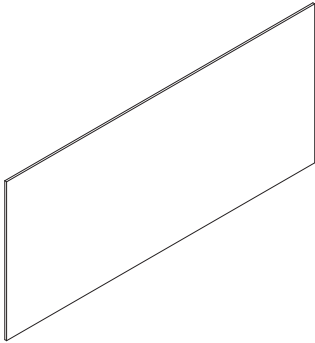
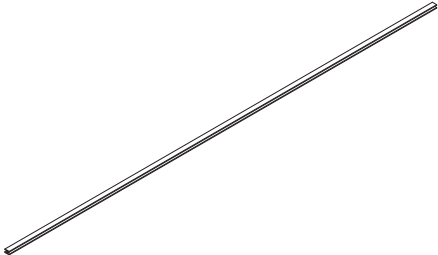
Parts List



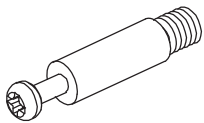
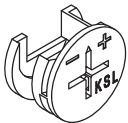

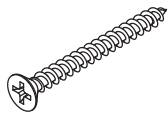

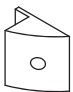

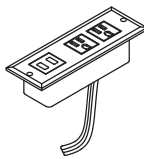
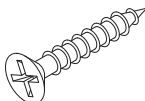
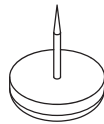
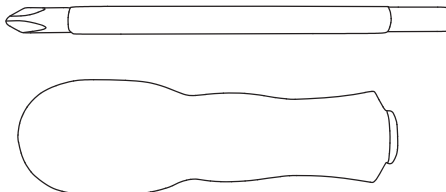
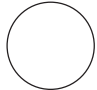
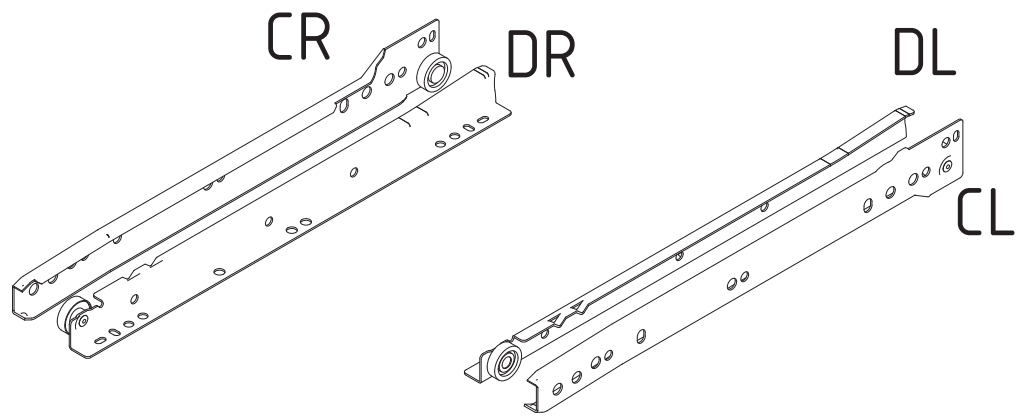
Panels List Number

<p>1</p>  <p>1PC</p>	<p>2</p>  <p>1PC</p>	
<p>3</p>  <p>1PC</p>	<p>4</p>  <p>1PC</p>	<p>5</p>  <p>1PC</p>
<p>6</p>  <p>2PCS</p>	<p>7</p>  <p>2PCS</p>	<p>8</p>  <p>2PCS</p>
<p>9</p>  <p>2PCS</p>	<p>10</p>  <p>2PCS</p>	<p>11</p>  <p>2PCS</p>

Panels List Number

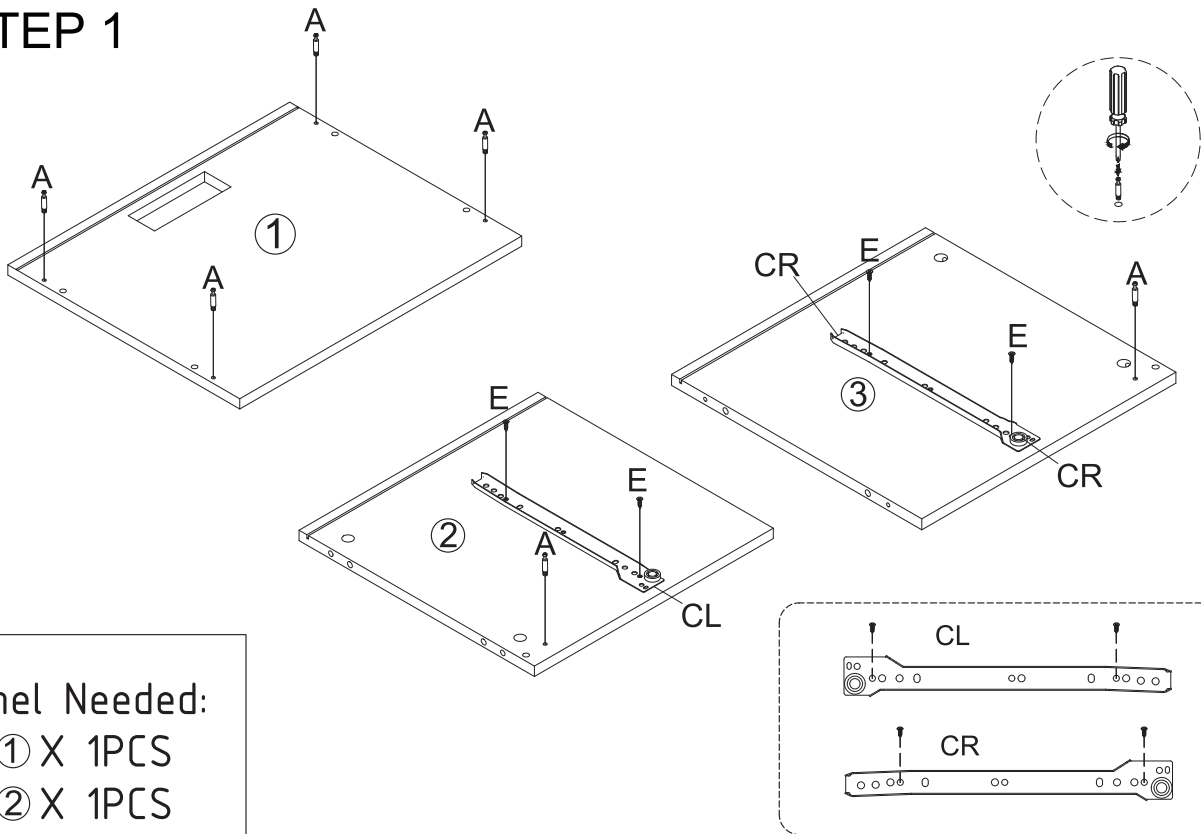
<p>12</p>  <p>1PC</p>	<p>13</p>  <p>1PC</p>
<p>14</p>  <p>1PC</p>	<p>15</p>  <p>1PC</p>
<p>16</p>  <p>1PC</p>	<p>17</p>  <p>1PC</p>
<p>18</p>  <p>1PC</p>	<p>19</p>  <p>1PC</p>

Parts List Number

<p>A</p>  <p>30PCS</p>	<p>B</p>  <p>30PCS</p>	<p>C</p>  <p>ø8*30MM 26PCS</p>	<p>D</p>  <p>M4*35MM 16PCS</p>
<p>E</p>  <p>M3*12MM 8PCS</p>	<p>F</p>  <p>8PCS</p>	<p>G</p>  <p>M3*16MM (black) 10PCS</p>	<p>H</p>  <p>1PCS</p>
<p>I</p>  <p>M4*25MM 8PCS</p>	<p>J</p>  <p>8PCS</p>	<p>TOOL</p> 	
<p>K</p>  <p>COVER 8PCS</p>			
			

Installation Steps

STEP 1

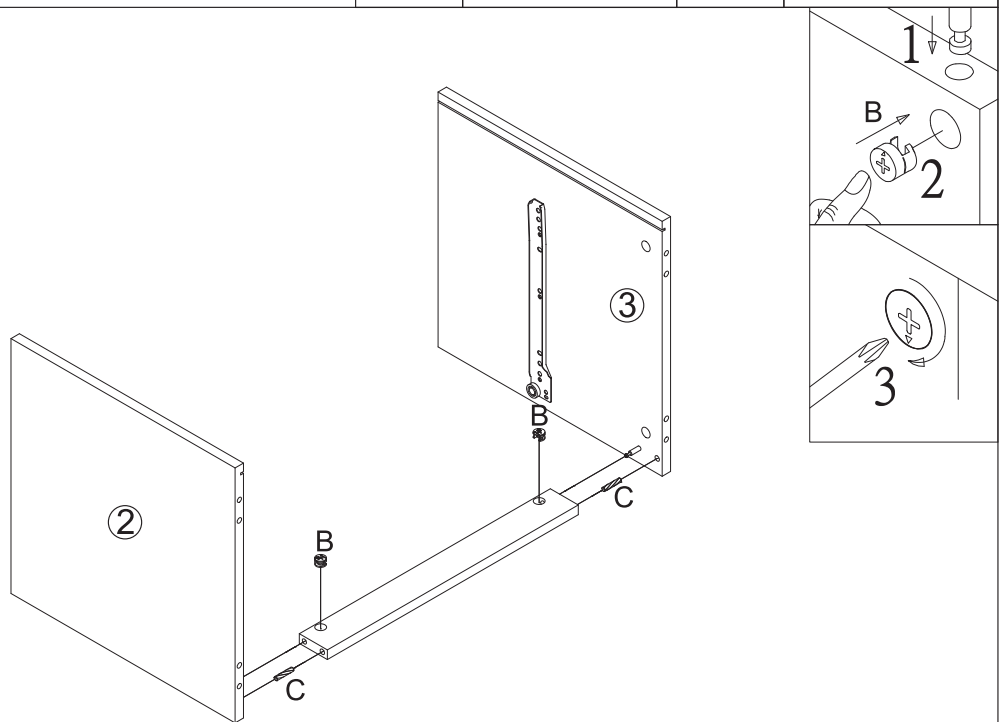


Panel Needed:

- ① X 1PCS
- ② X 1PCS
- ③ X 1PCS



STEP 2



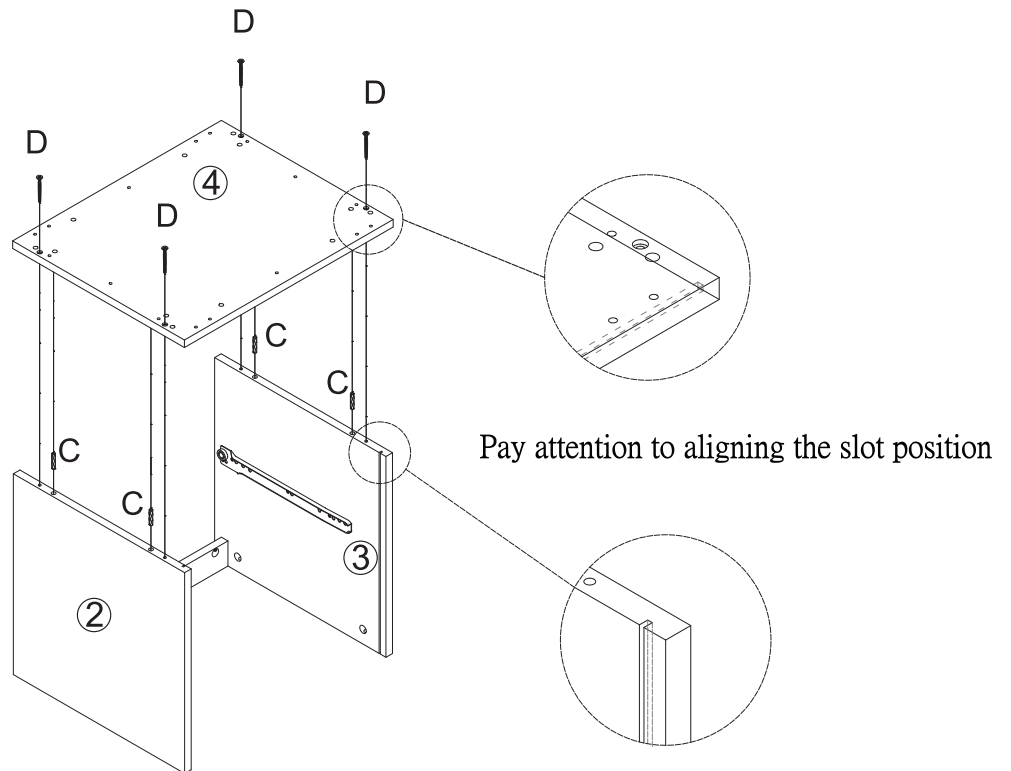
Panel Needed:

- ② X 1PCS
- ③ X 1PCS
- ⑤ X 1PCS



Installation Steps

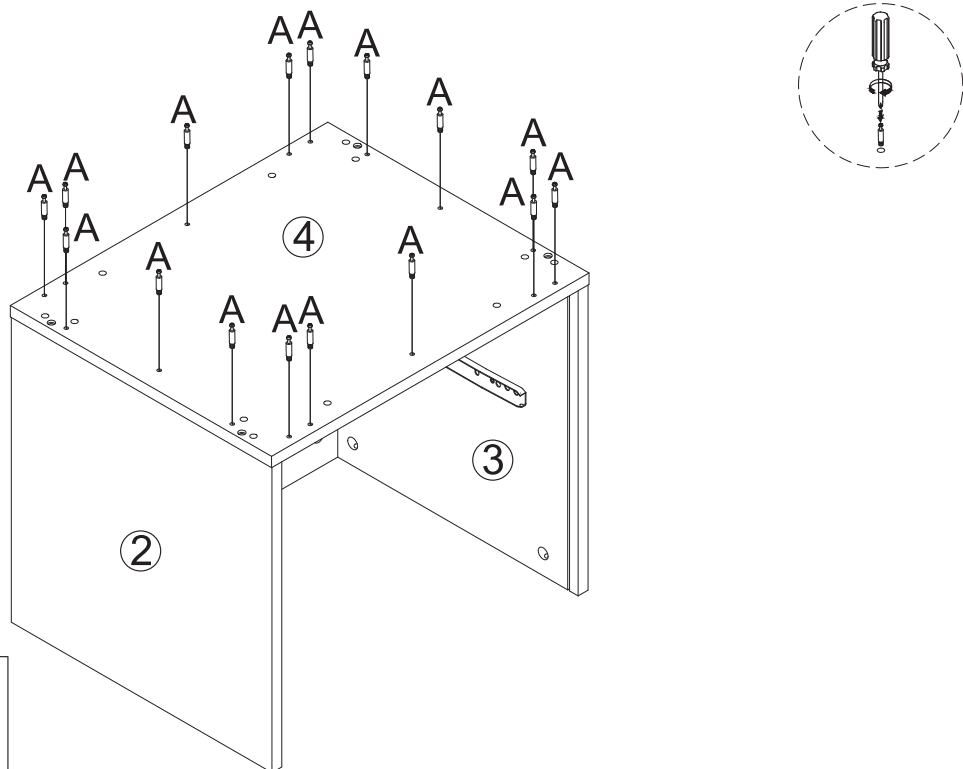
STEP 3



Panel Needed:
④ X 1PCS



STEP 4

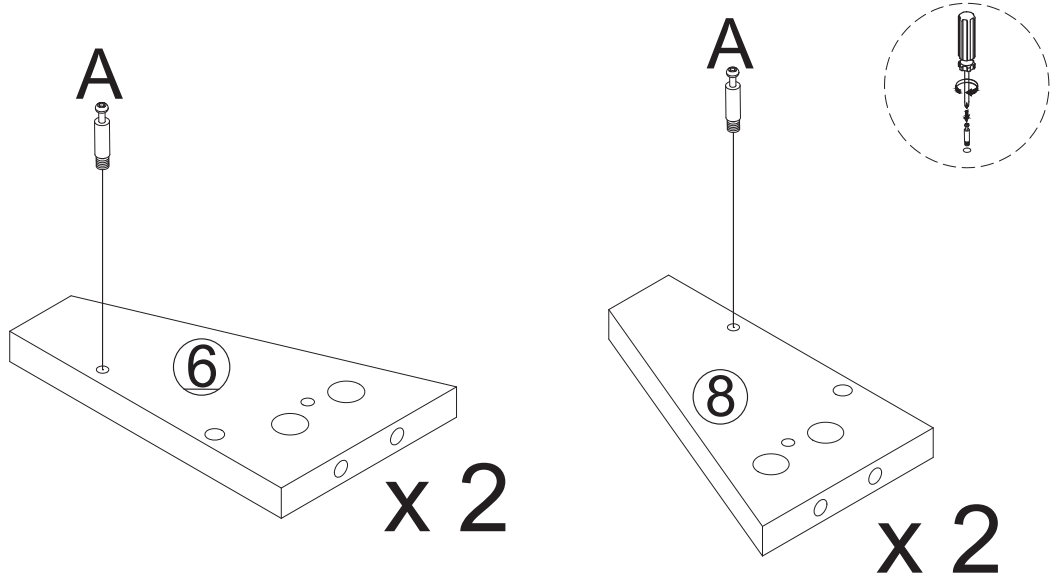


Panel Needed:
④ X 1PCS



Installation Steps

STEP 5



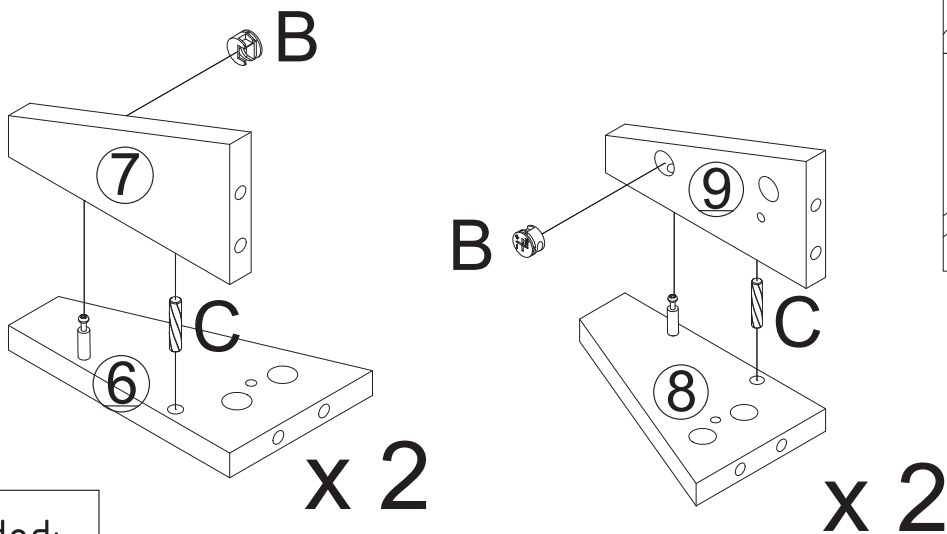
Panel Needed:

⑥ X 2PCS

⑧ X 2PCS

 A X 4PCS

STEP 6



Panel Needed:

⑥ X 2PCS

⑦ X 2PCS

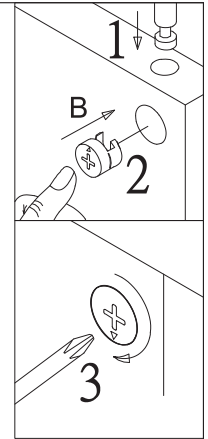
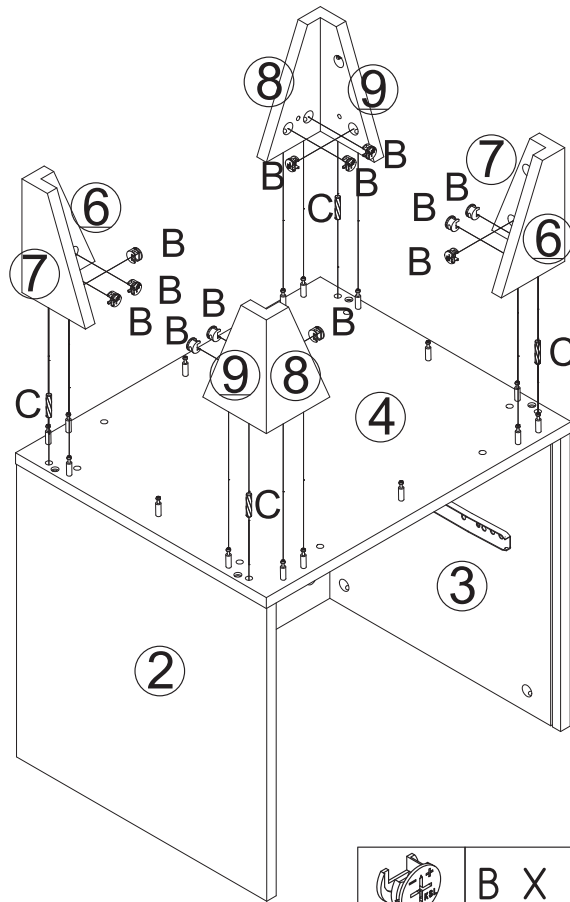
⑧ X 2PCS

⑨ X 2PCS

 B X 4PCS  C X 4PCS

Installation Steps

STEP 7

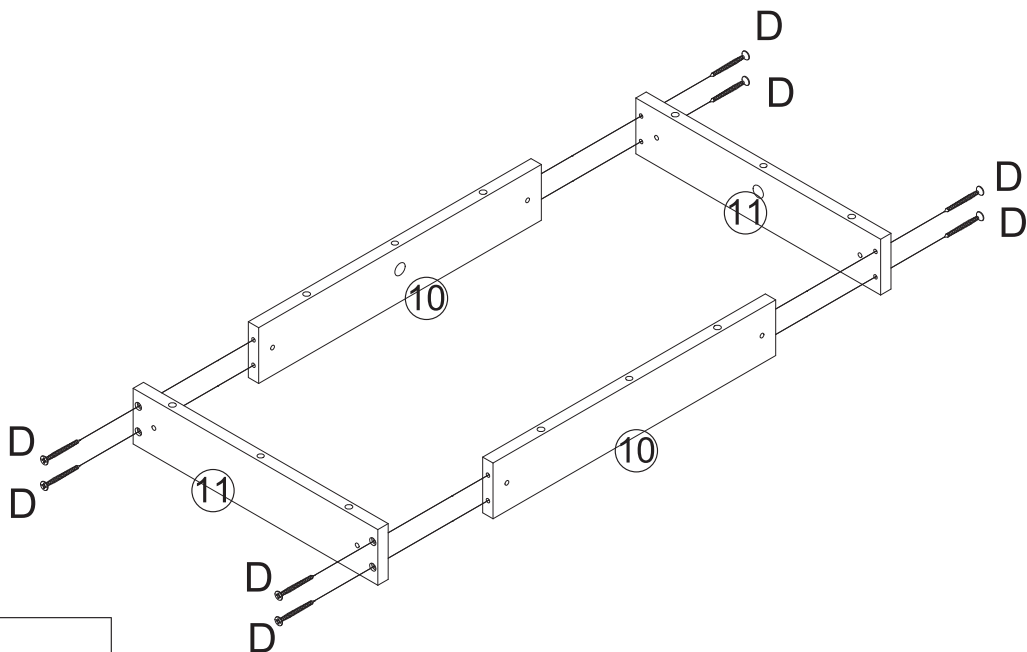


Panel Needed:

- ⑥ X 2PCS
- ⑦ X 2PCS
- ⑧ X 2PCS
- ⑨ X 2PCS



STEP 8



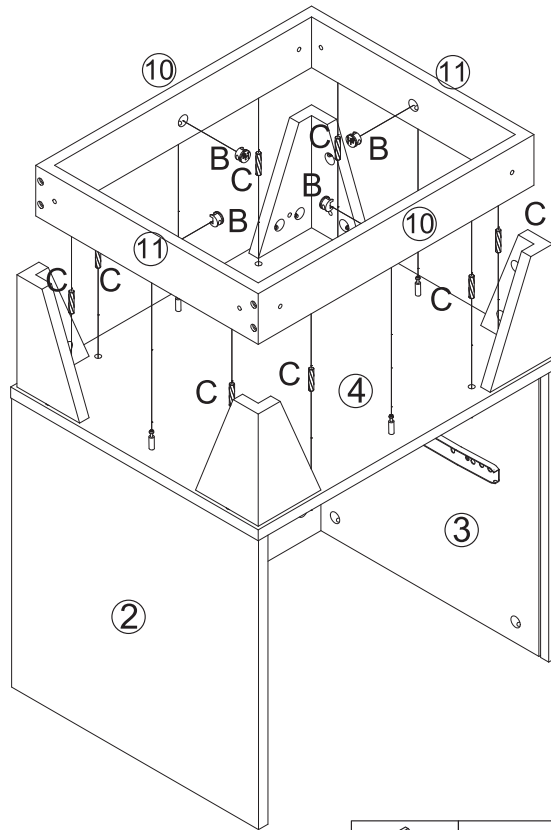
Panel Needed:

- ⑩ X 2PCS
- ⑪ X 2PCS



Installation Steps

STEP 9



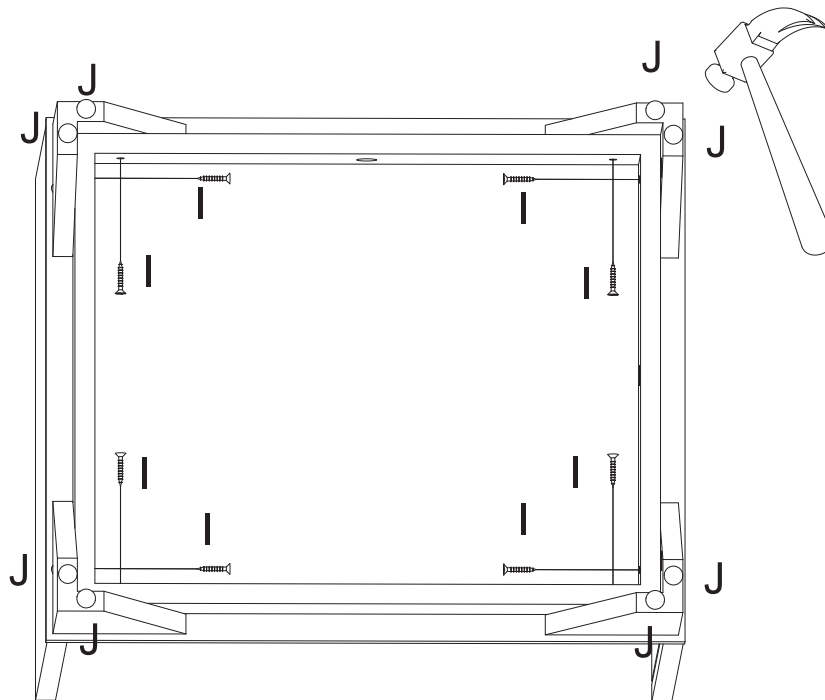
Panel Needed:

⑩ X 2PCS

⑪ X 2PCS

	B X 4PCS		C X 8PCS
---	----------	---	----------

STEP 10



Panel Needed:

⑩ X 2PCS

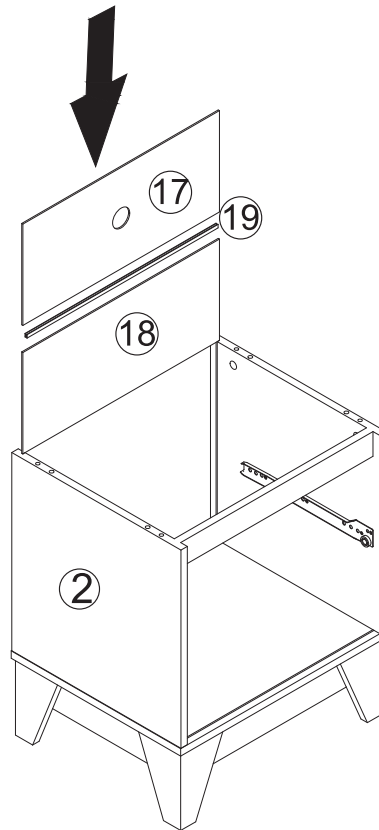
⑪ X 2PCS

Use a screwdriver and a hammer at home to operate step 10.

	I X 8PCS		J X 8PCS
---	----------	---	----------

Installation Steps

STEP 11



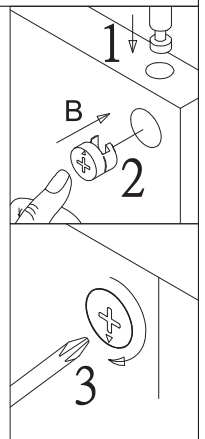
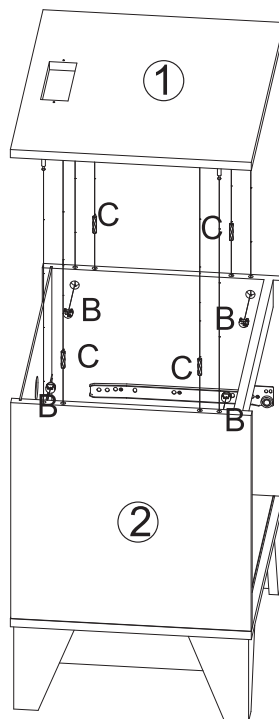
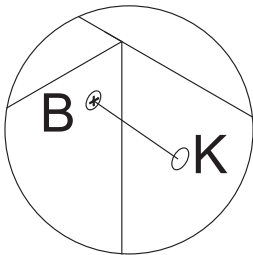
Panel Needed:

①⑦ X 1PCS

①⑧ X 1PCS

①⑨ X 1PCS

STEP 12



After tightening the screws,
put a cover on the screws

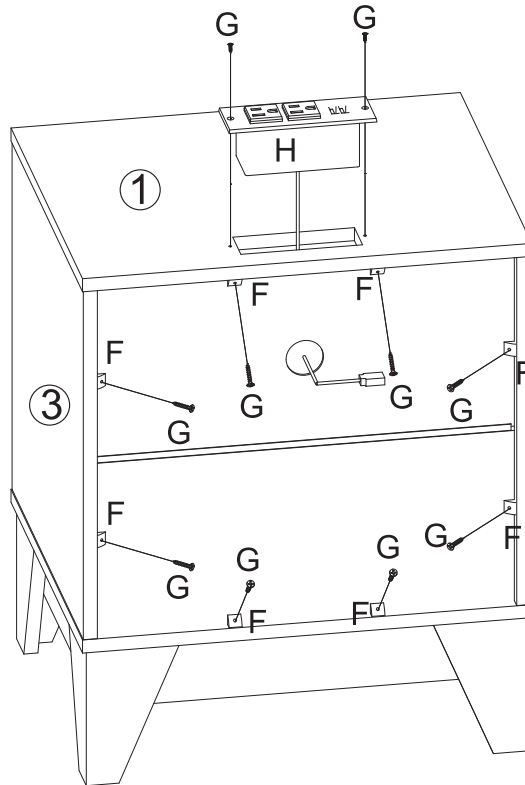
Panel Needed:

① X 1PCS

	B X 4PCS		C X 4PCS		K X 4PCS
---	----------	---	----------	---	----------

Installation Steps

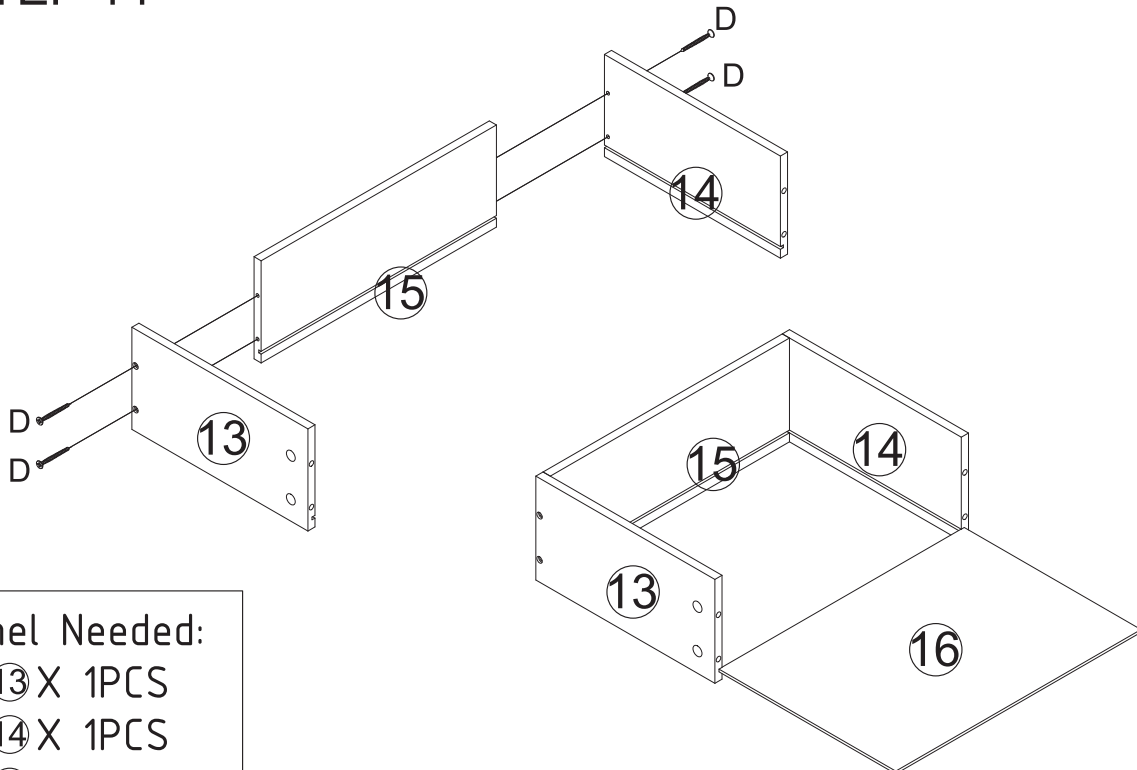
STEP 13



Panel Needed:
① X 1PCS



STEP 14

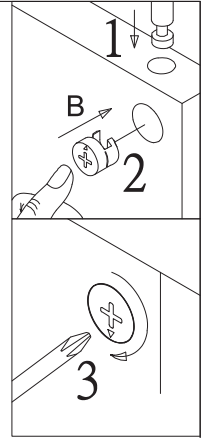
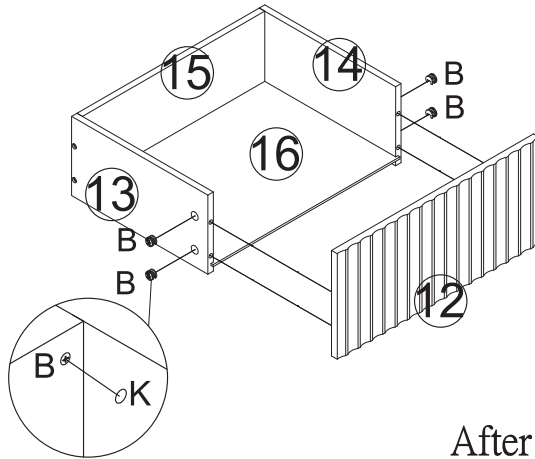
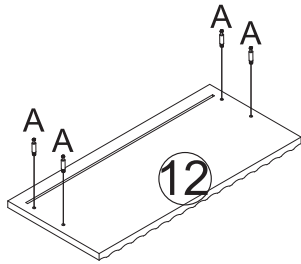
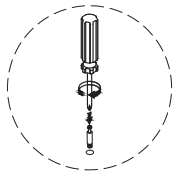


Panel Needed:
⑬ X 1PCS
⑭ X 1PCS
⑮ X 1PCS
⑯ X 1PCS

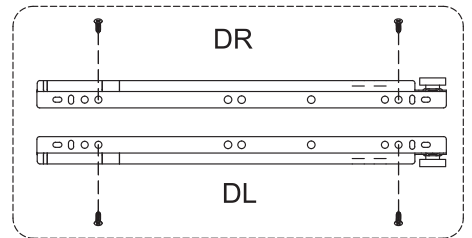
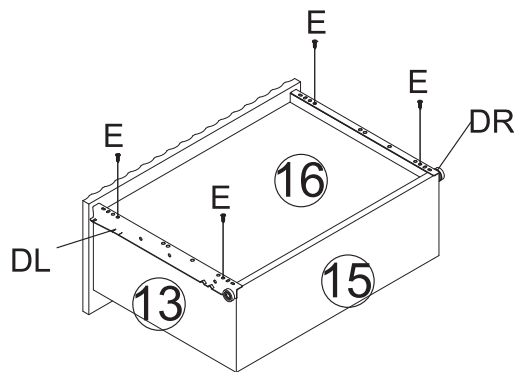


Installation Steps

STEP 15



After tightening the screws, put a cover on the screws



Panel Needed:
⑫ X 1PCS

	A X 4PCS		B X 4PCS		E X 4PCS
--	----------	--	----------	--	----------

STEP 16

TIPS: Remove the protective film after assembly from panel 12 as per the drawing.

