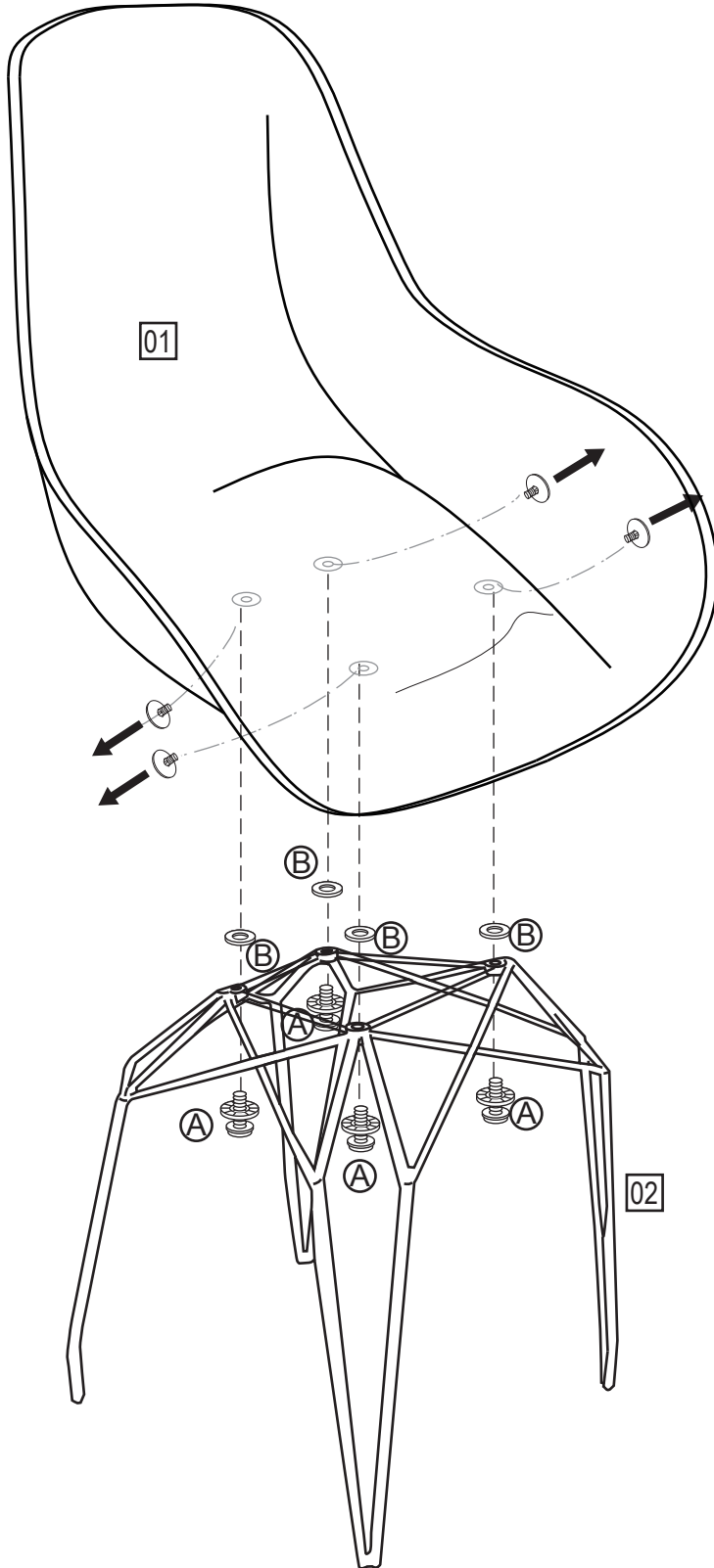




ASSEMBLY INSTRUCTIONS

DIAMOND BASE



FITTINGS

- Ⓐ  x4
- Ⓑ  x4

COMPONENT CHECKLIST

PART	No.	Qty.	
Seat	01	1	<input type="checkbox"/>
Tube	02	1	<input type="checkbox"/>

TOOL REQUIRED



Allen key (supplied)