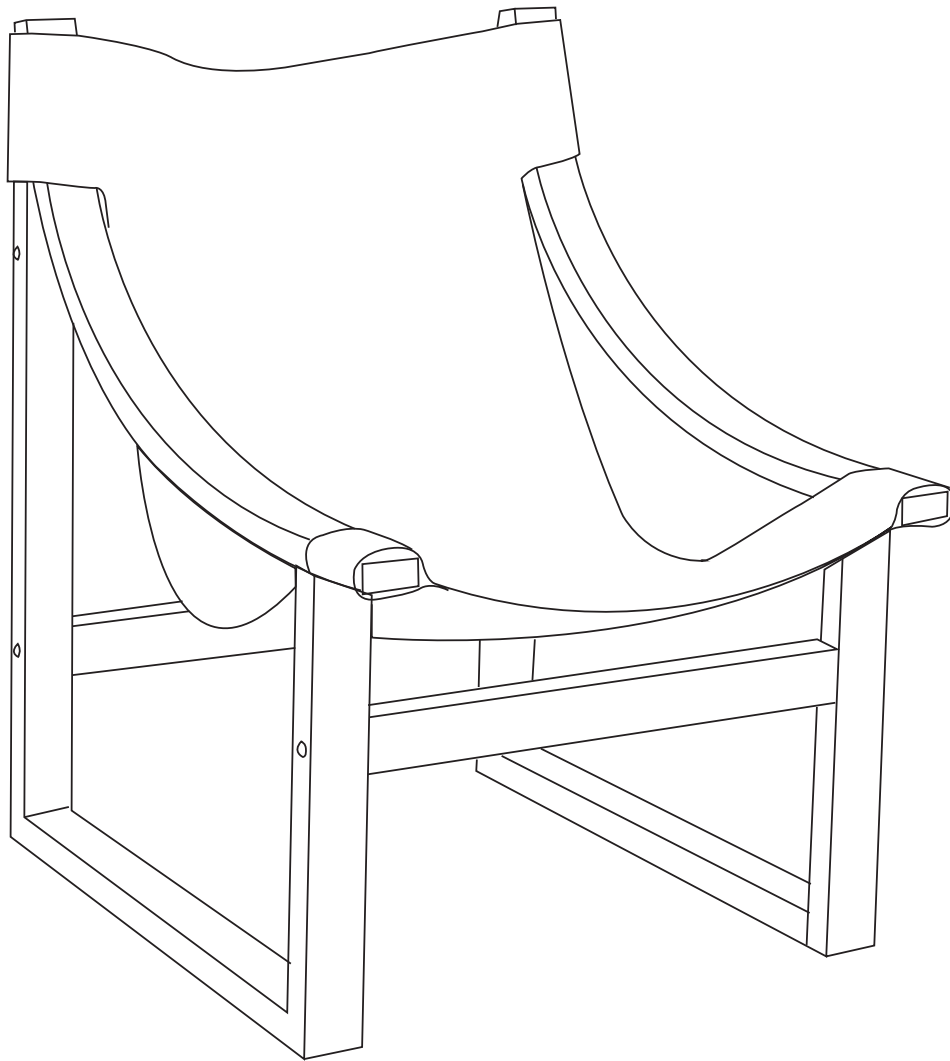


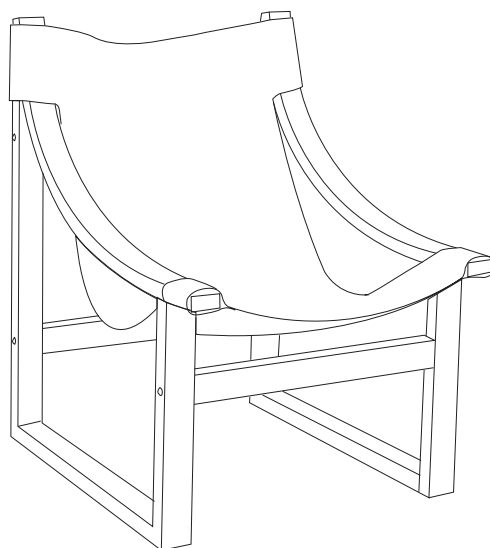
ASSEMBLY INSTRUCTIONS

LI150NBSC / LI150BNSC / LI150CNCS / LI150NNSC



MADE IN COLOMBIA

PARTS LIST FOR COMPLETE HARDWARE

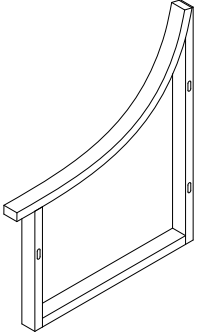
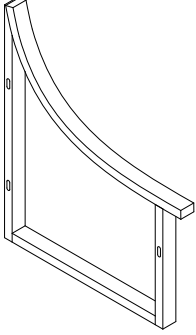
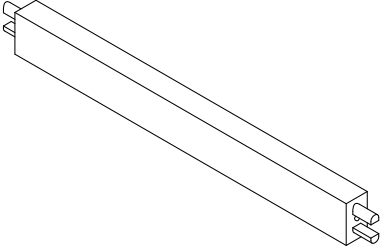
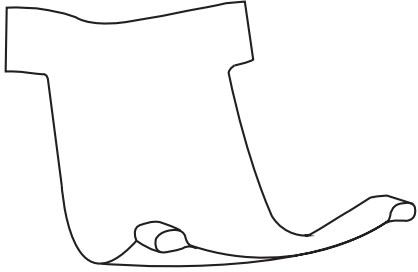


PRODUCT DETAILS

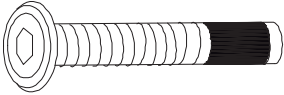
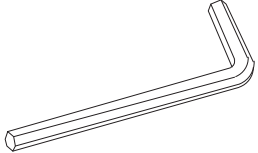
FRAME	Oak Wood - Pressed Wood Veneer
MIDDLE STRETCHER	Oak Wood
COVER	Leather
PRODUCT SIZE	L 26.3" x W 28.3" x 37" H
CARTON SIZE	L 38.5" x W 6.6" x 33.9" H
NET WEIGHT	20 LBS
GROSS WEIGHT	27 LBS

MADE IN COLOMBIA

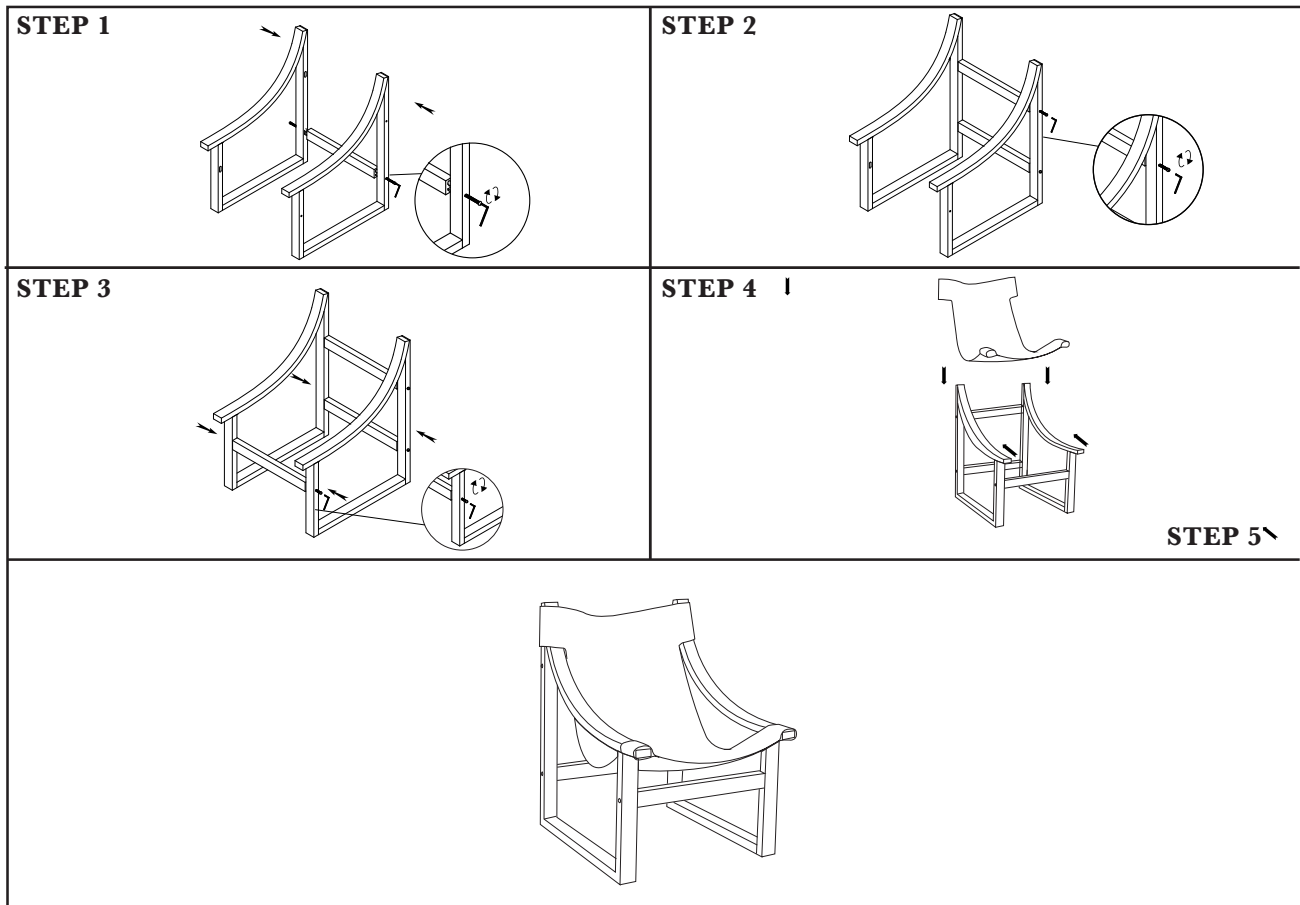
PARTS LIST

<p>(A) RIGHT FRAME (1PC)</p> 	<p>(B) LEFT FRAME (1PC)</p> 
<p>(C) MIDDLE STRETCHER (3PCS)</p> 	<p>(D) LEATHER COVER (1PC)</p> 

HARDWARE PACK

NO.	DESCRIPTION	SIZE	Q'TY
1	 <p>Long Bolt</p>	8 x 80 mm	6pcs
2	 <p>Allen Key</p>	3/16"	1pc

ASSEMBLY INSTRUCTIONS



Step 1, Step 2, Step 3

Attach Middle Stretchers (**C**) to Right frame (**A**) and Left frame (**B**) with Long Bolt (**1**).

Tighten with Allen Key (**2**) (provided) .

*Don`t fully tighten bolts until the entire is completely assembled.

Step 4

Insert Leather Cover (**D**) over the four corners of the frame.

Product assembly is now completed.