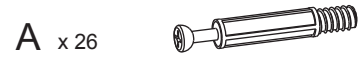


# ASSEMBLY INSTRUCTIONS

## PART LIST:

- ①- Tabletop panel (QTY: 1)
- ②- Left side panel (QTY: 1)
- ③- Middle panel (QTY: 1)
- ④- Right side panel (QTY: 1)
- ⑤- Bottom panel (QTY: 1)
- ⑥- Back panel (QTY: 2)
- ⑦- Front panel of drawer (QTY: 5)
- ⑧- Left side panel of drawer (QTY: 5)
- ⑨- Right side panel of drawer (QTY: 5)
- ⑩- Back panel of drawer (QTY: 5)
- ⑪- Bottom panel of drawer (QTY: 5)
- ⑫- Shelf (QTY: 1)
- ⑬- Door (QTY: 1)

## HARDWARE LIST:



3-in-1 Furniture Bolt Connection



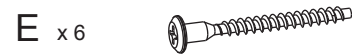
Wood Pin (∅8\*40mm)



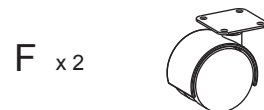
Cross Countersunk Head Tapping Screws (ST4.2\*14mm)



3-in-1 Furniture Nut Connection



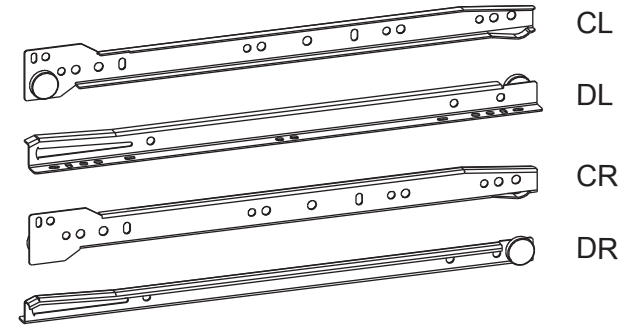
Cross Countersunk Head Confirmat Screws (M5\*48mm)



1.5" Black Plastic Wheel



1.5" Black Plastic Wheel With Lock



14 " Guide Rail



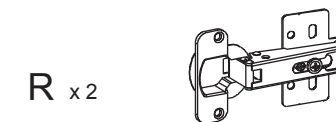
Cover Up Sticker



Backplane Buckle

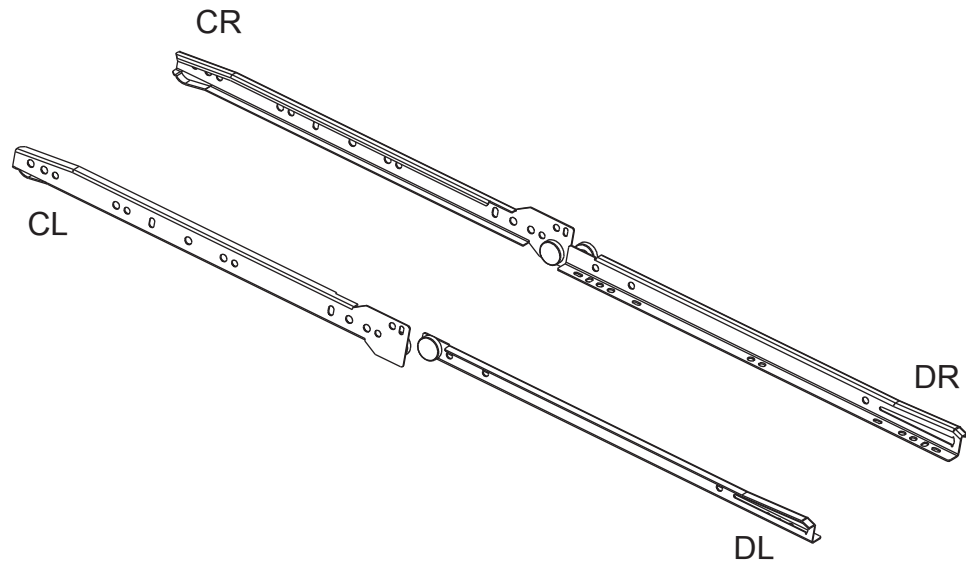


Shelf Pin

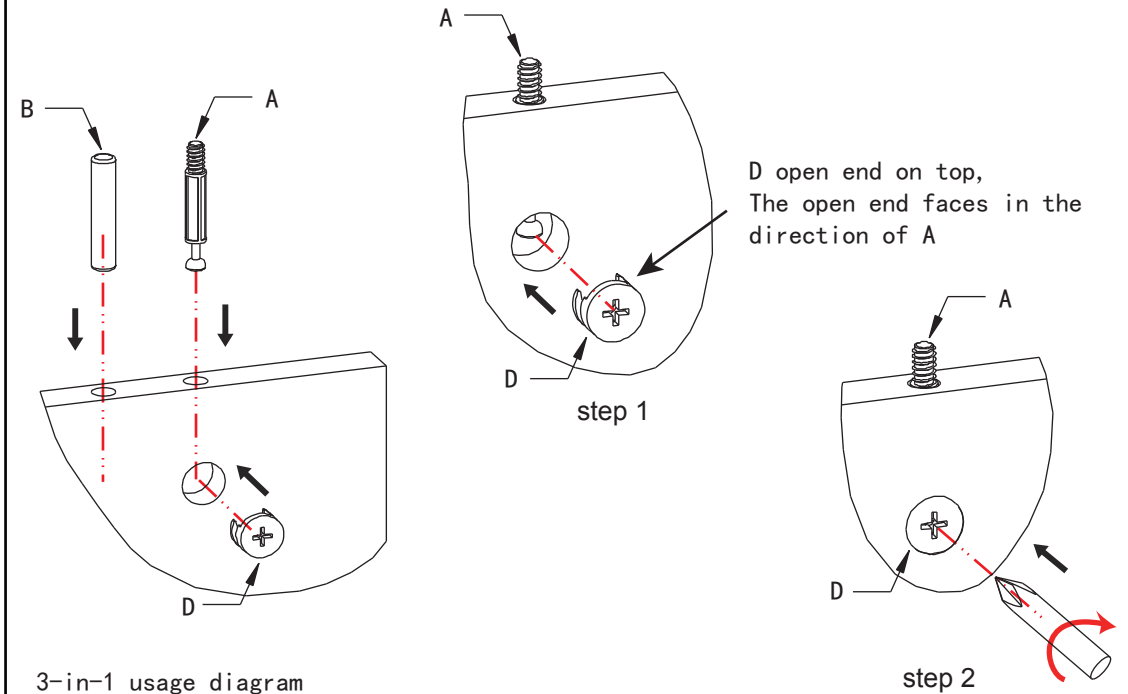


Hinge

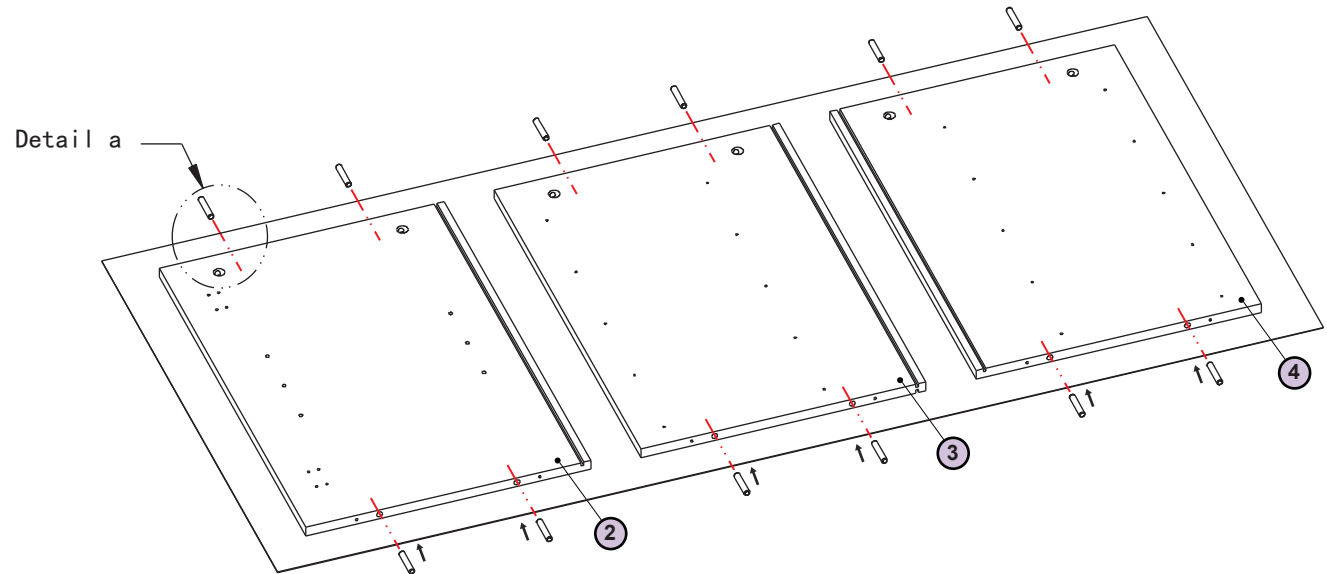
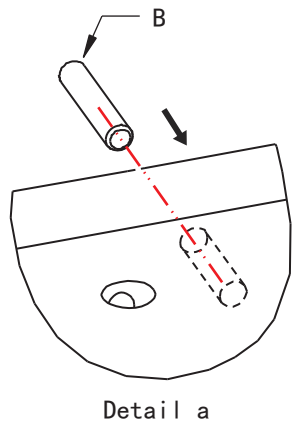
# ASSEMBLY INSTRUCTIONS



Guide rail placement diagram



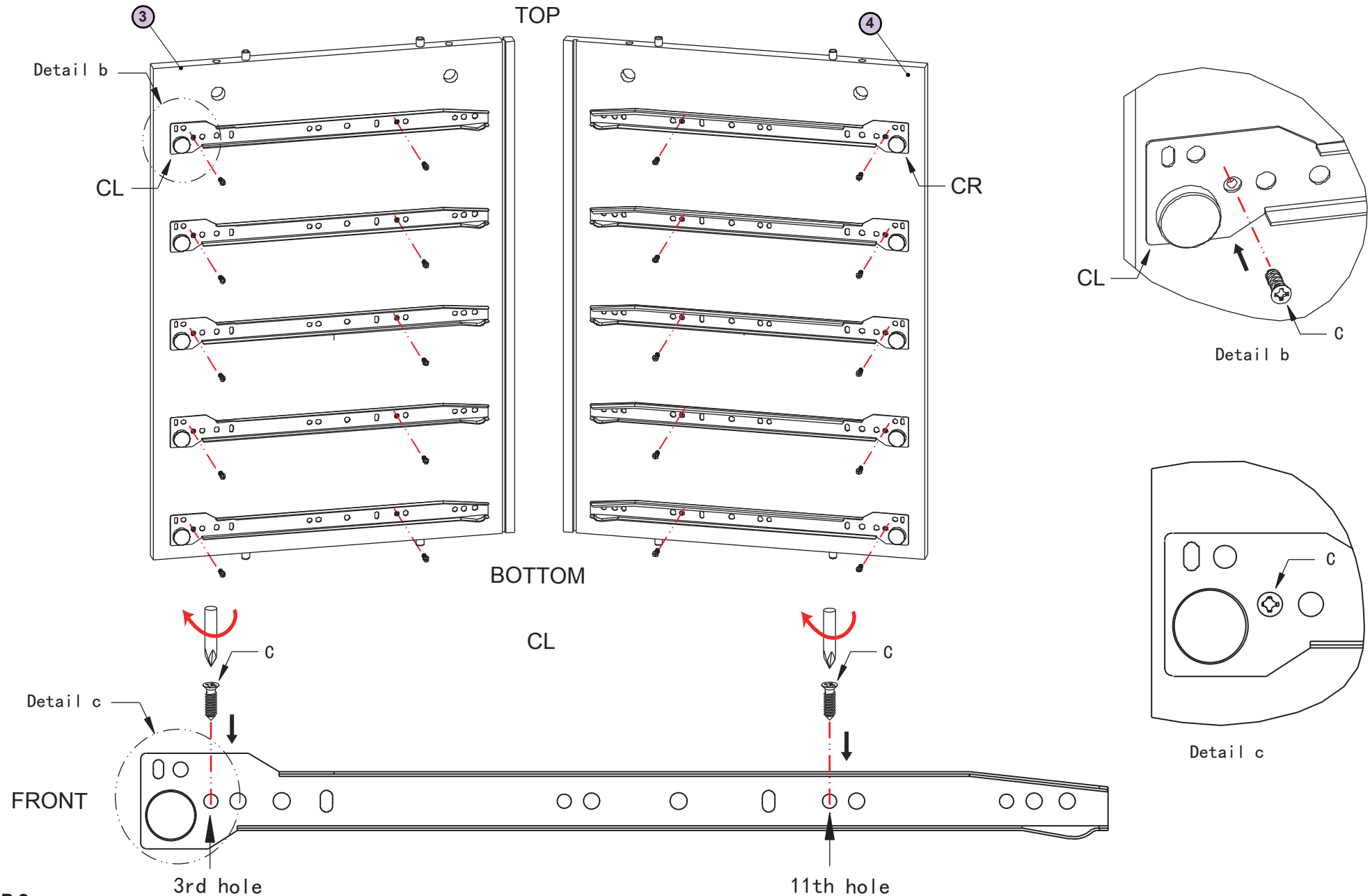
3-in-1 usage diagram



## STEP 1:

1. Put a blanket under the board to avoid scratch or damage.
2. Instal 12pcs B into ②、③、④.

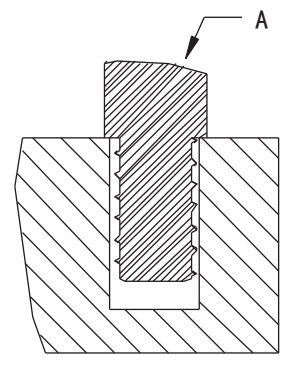
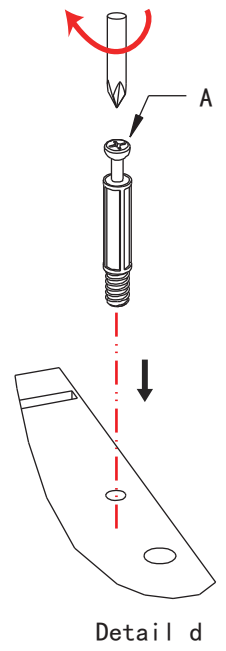
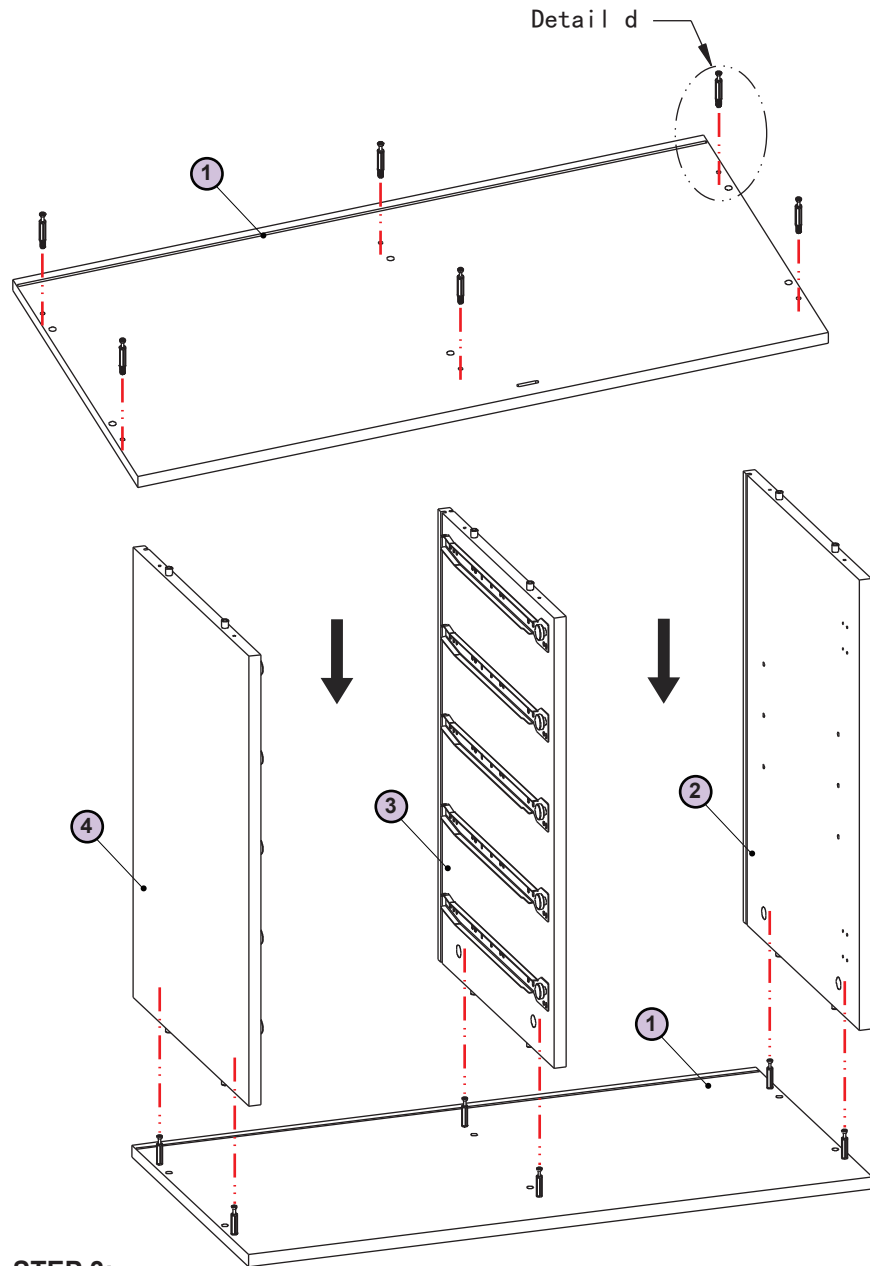
# ASSEMBLY INSTRUCTIONS



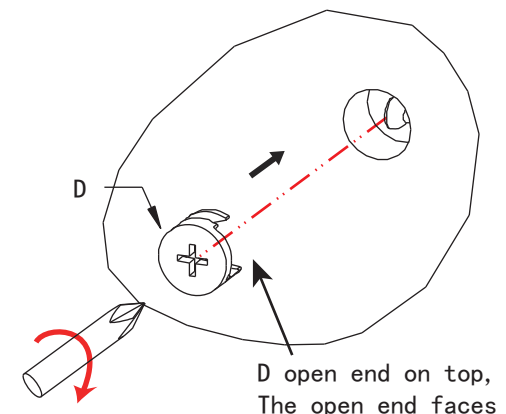
## STEP 2:

Fix 5 CL and 5 CR in the corresponding holes on ③ and ④ with 20pcs C (When installing, please make sure the screws are flattened, not crooked; Otherwise the drawers will not be installed perfectly).

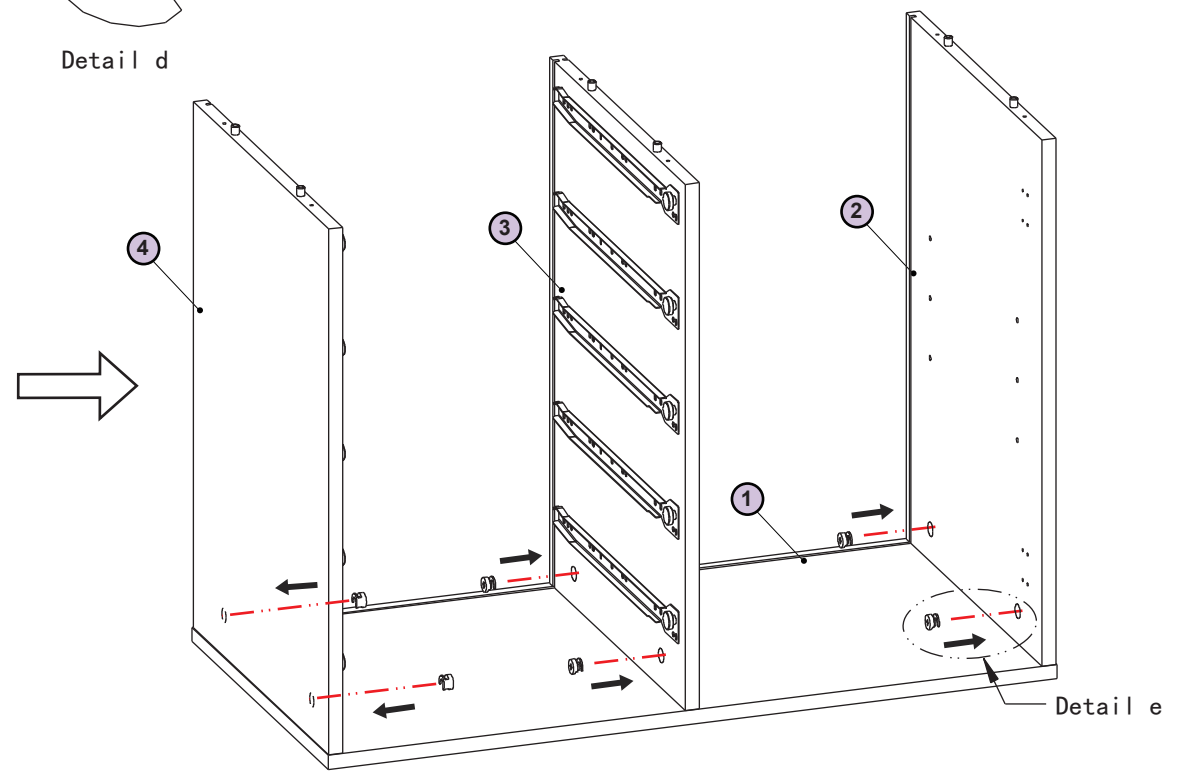
# ASSEMBLY INSTRUCTIONS



Please do not twist A too deeply or too shallowly. The depth is shown in the figure (A profile of thread end)



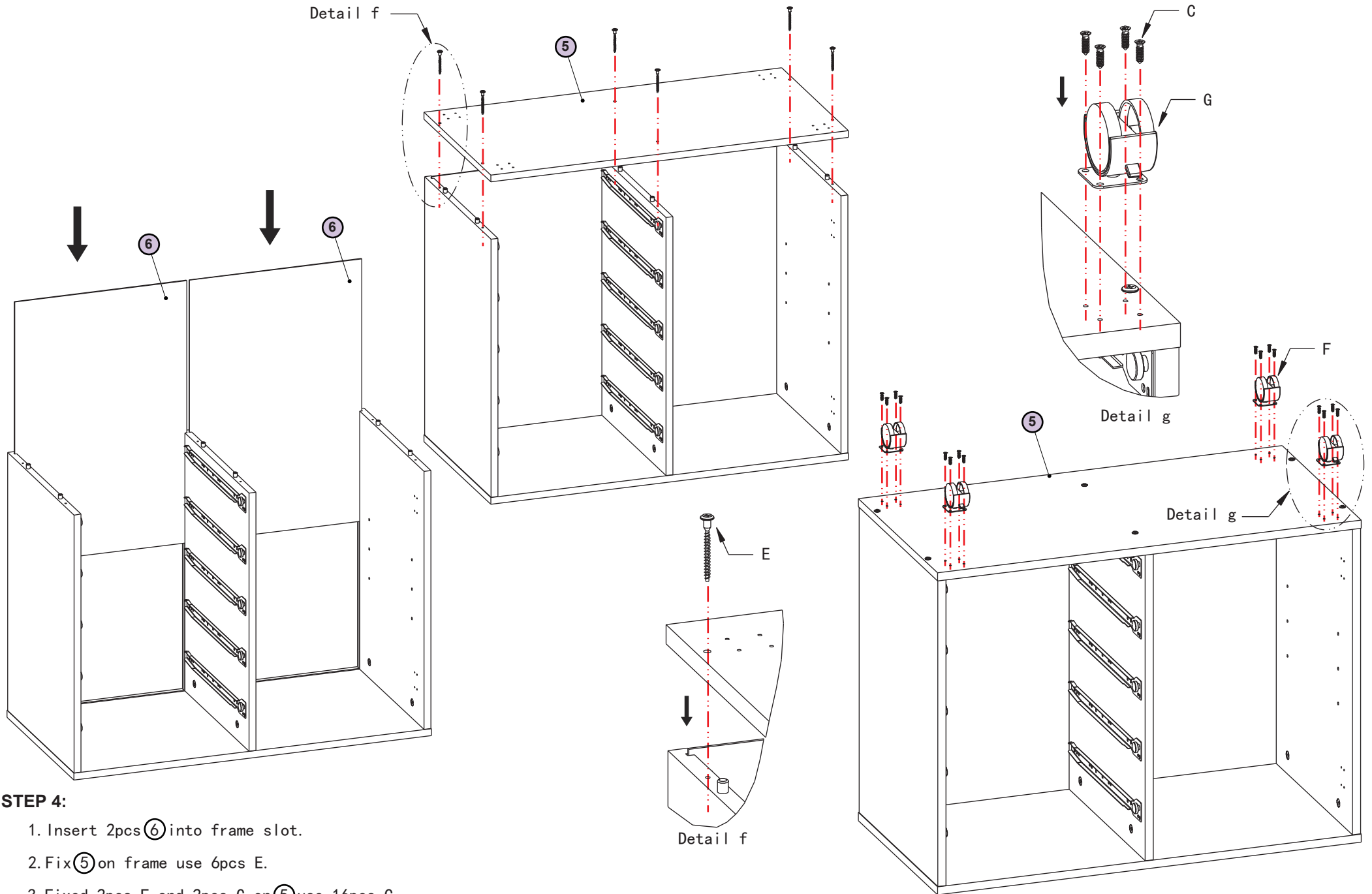
D open end on top, The open end faces in the direction of A



## STEP 3:

1. Screw 6pcs A on ①.
2. Connect the ① to ②、③、④ and tighten with 6pcs D.

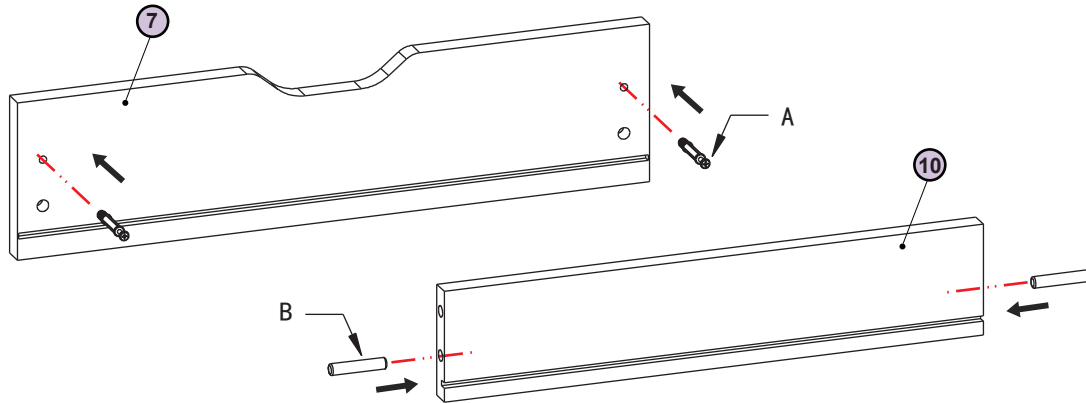
# ASSEMBLY INSTRUCTIONS



## STEP 4:

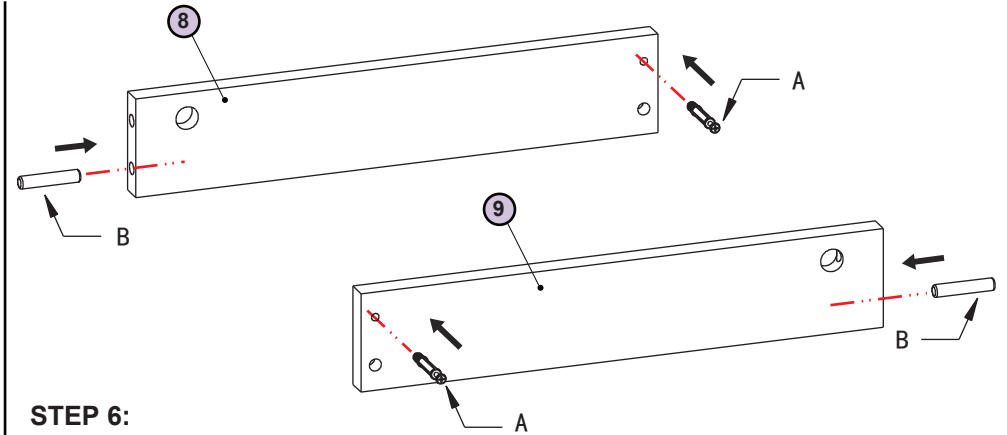
1. Insert 2pcs ⑥ into frame slot.
2. Fix ⑤ on frame use 6pcs E.
3. Fixed 2pcs F and 2pcs G on ⑤ use 16pcs C.

# ASSEMBLY INSTRUCTIONS



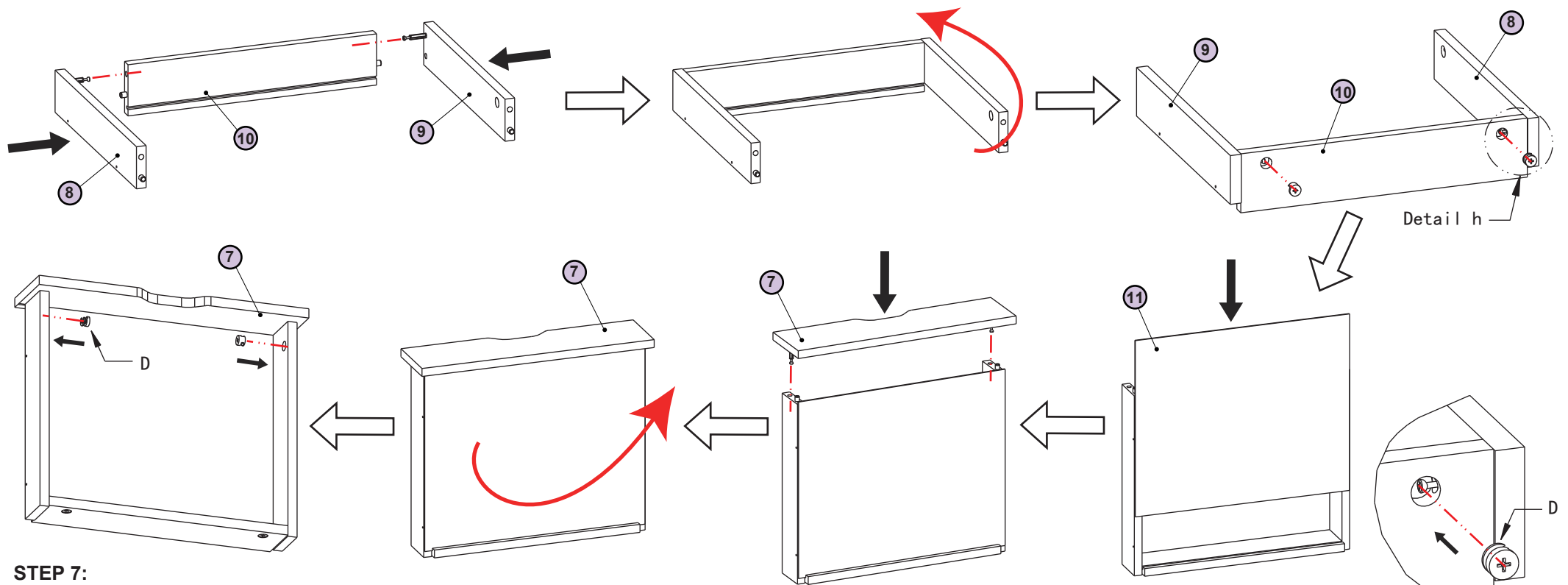
## STEP 5:

Screw 2pcs B and 2pcs A onto side of ⑩.



## STEP 6:

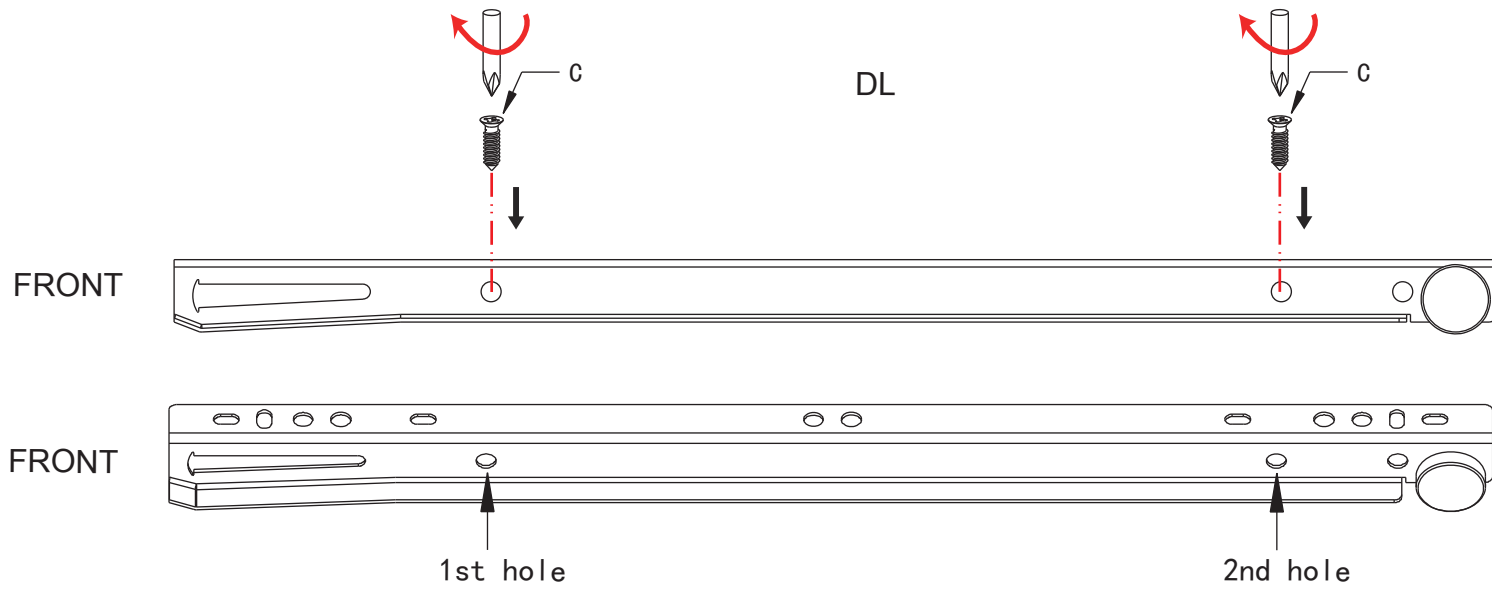
Screw 1pcs B and 1pcs A on ⑧、⑨.



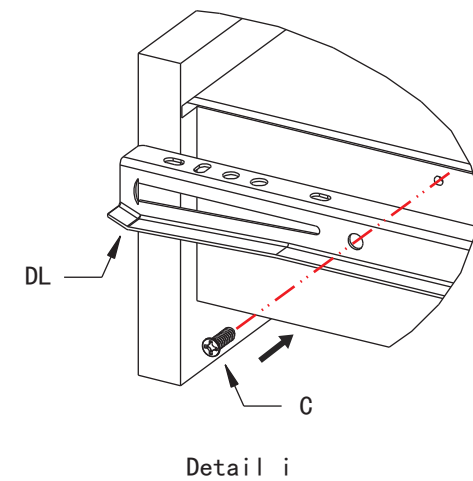
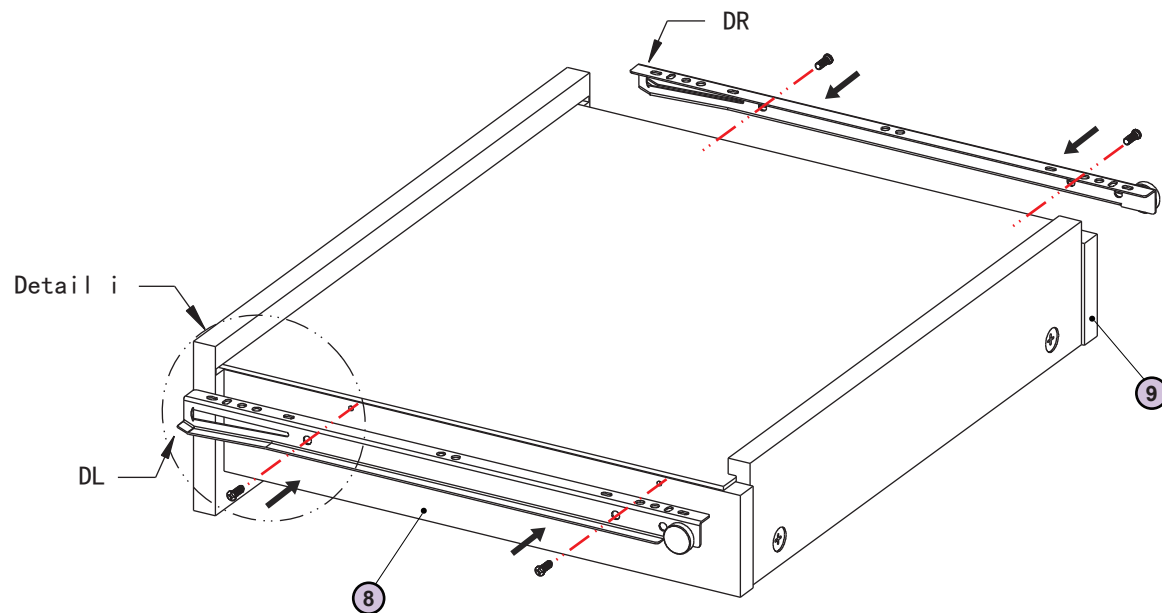
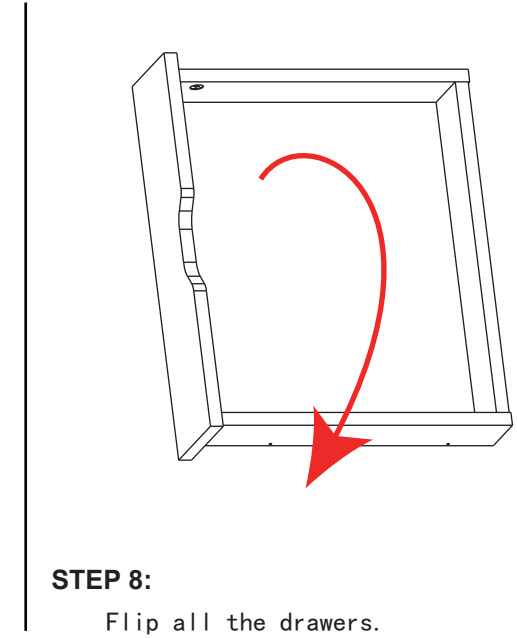
## STEP 7:

1. Fix ⑧、⑨ on ⑩ use 2pcs D.
2. Insert ⑪ to slot of back, fix ⑦ to drawer frame us 2pcs D.

# ASSEMBLY INSTRUCTIONS



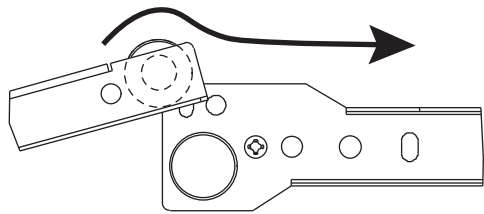
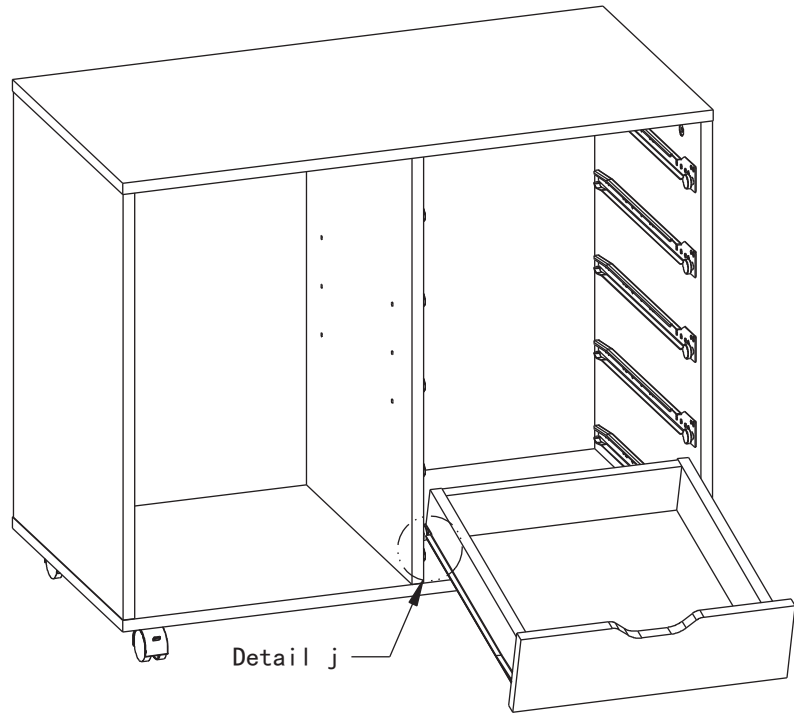
Fixed hole locations on DL and DR.



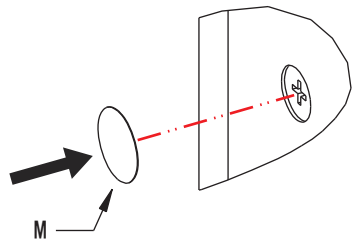
## STEP 9:

Use 2pcs C to fix DL or DR Into the appropriate holes on ⑧ and ⑨.

# ASSEMBLY INSTRUCTIONS



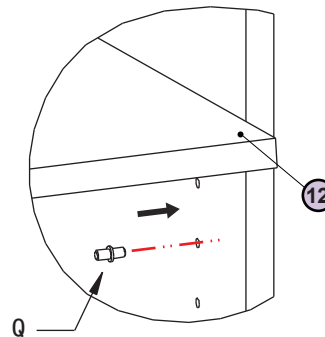
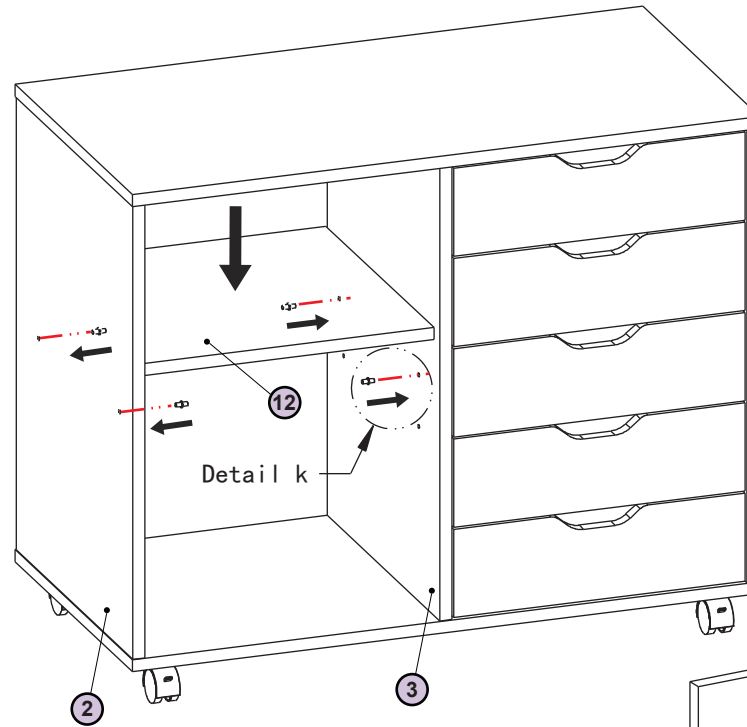
Detail j



Cover Up Sticker using schematic

## STEP 10:

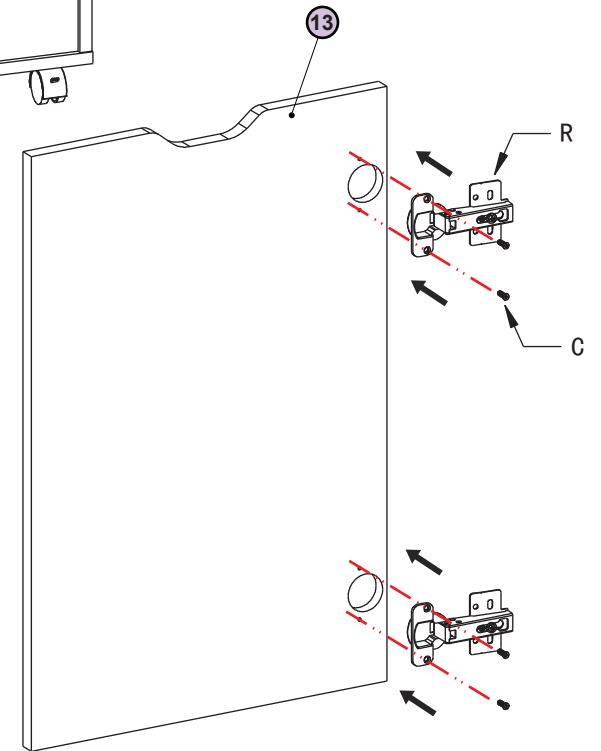
Fit five drawers into the frame.



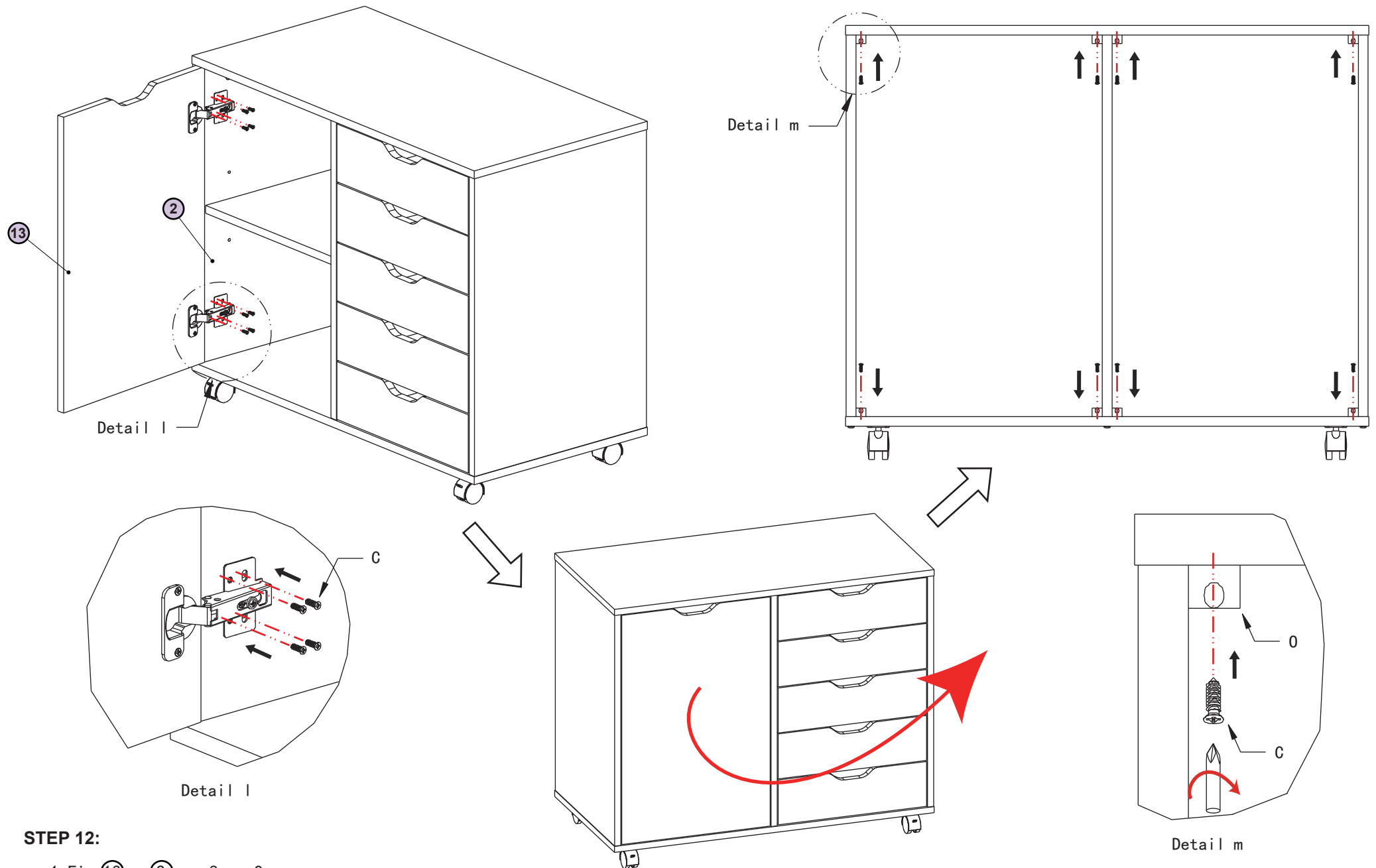
Detail k

## STEP 11:

1. Insert four Q into the corresponding holes in ② and ③, and then place ⑫ on the Q.
2. Install 2 R on ⑬ with 4pcs C.



# ASSEMBLY INSTRUCTIONS



## STEP 12:

1. Fix 13 on 2 use 8pcs C.
2. Fix 0 on back of frame use 8pcs C.