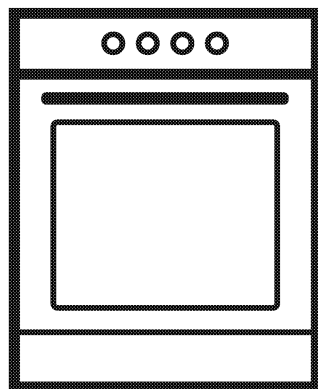


Oven

User manual

Cuisinière

Manuel de l'utilisateur



BERU 24200 SS



WARNING: If the information in this manual is not followed exactly, a fire or explosion may result causing property damage, personal injury or death.



WARNING

Tip-Over Hazard

"A child or adult can tip the range and be killed.

Install the anti-tip device packed with range to the structure wall or floor."

"Engage the range to the anti-tip device by sliding range so that rear foot of the range slides in to the bracket as shown in Figure.2 and 3."

"Re-engage the anti-tip device if the range is moved.

See installation instructions.

"Failure to follow these instructions can result in in death or serious burns to children or adults."



Do not operate the range without anti-tip device in place and engaged.

After installation cautiously grip the rear of the range to ensure the anti-tip bracket is engaging the rear foot of range."

This appliance is intended for normal household use only. It is not approved for outdoor or other non-household uses (including sea or air-going vessels). See the Statement of Limited Warranty. If you have any questions, contact the manufacturer.

Do not repair or replace any part of the appliance unless specifically recommended in this manual. Refer all servicing to a factory authorized service center.

Explanation of symbols

Throughout this User Manual the following symbols are used:



Important information or useful hints about usage.



Warning for hazardous situations with regard to life and property.



Warning for electric shock.



Warning for risk of fire.



Warning for hot surfaces.



Please read these instructions before installation or using your appliance!

Dear Customer,

We would like you to obtain best performance with your product that has been manufactured in modern facilities and passed through strict quality control procedures.

Therefore, we advise you to read through this user manual carefully before using your product and keep it for future reference. If you hand over the product to someone else, deliver the user manual as well.

The user manual will help you use the product in a fast and safe way.

IMPORTANT:

Save these instructions for the local electrical inspectors use.

The instructions will help you to operate the appliance quickly and safely.

- Upon delivery, please check that the appliance is not damaged. If you note any transport damage, please contact your point of sale immediately and do not connect and operate the appliance!
- Before you connect and start using the appliance, please read this manual and all enclosed documents. Please note in particular the safety instructions.
- Keep all documents so that you can refer to the information again later on. Please keep your receipt for any repairs which may be required under warranty.
- When you pass on the appliance to another person, please provide all documents including original date of purchasing. Warranty is not valid if the product is sold second hand.
- If you should decide not to use this appliance any longer (or decide to substitute an older model), before disposing of it, it is recommended that it be made inoperative in an appropriate manner in accordance to health and environmental protection regulations, ensuring in particular that all potentially hazardous parts be made harmless, especially in relation to children who could play with old appliances. Remove the door and the warming drawer before disposal to prevent entrapment.

Table of Contents

1 IMPORTANT INSTRUCTIONS	5	5 HOW TO OPERATE THE OVEN	26
Basic safety instructions	5	General information on baking, roasting and broiling	26
Safety for children	8	How to use the electric oven	26
Safety when working with electricity.	8	Tips for baking.	27
Intended use	9	Tips for roasting.	28
Disposal	9	Tips for broiling	28
Packaging material	9	How to operate the broil	30
Future transportation	9	Cooking times table for broiling	30
2 INSTALLATION	10	6 MAINTENANCE AND CARE	31
Installation and connection	10	General information	31
Clearances & Dimensions	10	How to clean the burner/plate	31
Important notes to the consumer.	10	Cleaning the control panel	31
Important Notes to the Installer	12	Cleaning the oven	31
Anti-Tip stability device installation instructions	14	Removal of oven door	32
Connection to the main supply	15	Replacing the oven lamp	32
Provide Electrical connection.	16	7 GENERAL INFORMATION	34
Access to Terminal Block.	16	Overview	34
Power connections	17	Technical Data	35
Power Cord.	17	Burners- BERU 24200 SS	35
Strain relief installation	17	Accessories supplied with the unit	35
3 PREPARATION	21	8 TROUBLESHOOTING	37
Tips for saving energy	21	9 WARRANTY STATEMENT for Blomberg electric and gas ranges	38
Initial operation	21		
4 HOW TO USE THE HOB	23		
General information on cooking	23		
Tips for glass ceramic burner/plate	23		
How to use burners/plates	24		

1 IMPORTANT INSTRUCTIONS

Basic safety instructions

- This appliance can be used by children aged from 8 years and above and persons with reduced physical, sensory or mental capabilities or lack of experience and knowledge if they have been given supervision or instruction concerning use of the appliance in a safe way and understand the hazards involved.

Children shall not play with the appliance. Cleaning and user maintenance shall not be made by children without supervision.

- Proper installation - Be sure your appliance is properly installed and grounded by a qualified technician
- Never use your appliance for warming or heating the room.
- Wear proper apparel - loose-fitting or hanging garments should never be worn while using the appliance.
- User servicing - Do not repair or replace any part of the appliance unless specifically recommended in the manual. All other servicing should be referred to a qualified technician.
- The instructions for hobs shall state that the appliance is not intended to be operated by means of an external timer

or separate remote-control system.

- Use proper pan size - this appliance is equipped with one or more surface units of different size. Select utensils having flat bottoms large enough to cover the surface unit heating element. The use of undersized utensils will expose a portion of the heating element to direct contact and may result in ignition of clothing. Proper relationship of utensil to burner will also improve efficiency.
- Never leave surface units unattended at high heat settings - boilover causes smoking and greasy spillovers that may ignite.
- Protective liners- do not use aluminum foil to line oven bottoms, except as suggested in the manual. Improper installation of these liners may result in a risk of electric shock, or fire.
- Glazed cooking utensils - only certain types of glass, glass/ceramic, ceramic, earthenware, or other glazed utensils are suitable for range-top service without breaking due to the sudden change in temperature.
- Utensil handles should be turned inward and not

extend over adjacent surface units - to reduce the risk of burns, ignition of flammable materials, and spillage due to unintentional contact with the utensil, the handle of a utensil should be positioned so that it is turned inward, and does not extend over adjacent surface units.

- Use care when opening door- let hot air or steam escape before removing or replacing food.
- Placement of oven racks -always place oven racks in desired location while oven is cool. If rack must be moved while oven is hot, do not let potholder contact hot heating element in oven.
- Use only dry potholders- moist or damp potholders on hot surfaces may result in burns from steam. Do not let potholder touch hot heating elements. Do not use a towel or other bulky clothes.
- Do not cook on broken cook-top - if cook-top should break, cleaning solutions and spillovers may penetrate the broken cook-top and create a risk of electric shock. Contact a qualified technician immediately.
- **Clean cook-top with caution** - if a wet sponge or cloth is used to wipe spills on a hot cooking area, be careful to avoid steam burn.

Some cleaners can produce noxious fumes if applied to a hot surface.

- **"Do not touch surface units or areas near units** - Surface units may be hot even though they are dark in color. Areas near surface units may become hot enough to cause burns. During and after use, do not touch, or let clothing or other flammable materials contact surface units or areas near units until they have had sufficient time to cool. Among these areas are the cook-top and surfaces facing the cook-top."
- **"Do not touch heating elements or interior surfaces of oven** - Heating elements may be hot even though they are dark in color. Interior surfaces of an oven become hot enough to cause burns. During and after use, do not touch, or let clothing or other flammable materials contact heating elements or interior surfaces of oven until they have had sufficient time to cool. Other surfaces of the appliance may become hot enough to cause burns - among these surfaces are oven vent openings and surfaces near these openings, interior surfaces of the oven cavity, oven doors, and window"
- Never use when judgment or coordination is impaired

by the use of alcohol and/or drugs.

- Do not operate the appliance if it is defective or shows any visible damage.
- Be careful when using alcoholic drinks in your dishes. Alcohol evaporates in high temperatures and may cause fire since it will catch fire when it gets in contact with hot surfaces.
- Do not heat closed food containers and glass jars. Pressure that may build-up in the jar can cause it to burst.
- Do not use the oven for a storage area. Items stored in an oven can ignite.
- Storage in or on Appliance-Flammable materials should not be stored in an oven or near surface units.
- **Fire risk!** Do not store flammable material in the oven and/or in the warming drawer.
- Keep appliance area clear and free from combustible materials, gasoline, and other flammable vapors.
- **Do not use water on grease fires.** Smother fire or flame or use dry chemical or foam type extinguisher.
- Do not use the oven to dry newspapers. If overheated, they can catch on fire.
- Do not leave paper products, cooking utensils or food in the oven when not in use.
- Do not leave empty pots or pans on plates that are switched on. They might get damaged.
- Since it may be hot, do not leave plastic or aluminum dishes on the surface of appliance. These kind of dishes should not be used to keep food either.
- Do not place baking trays, dishes or aluminium foil directly onto the bottom of the oven. The heat accumulation might damage the bottom of the oven.
- Keep all ventilation slots clear of obstructions.
- The manufacturer declines all liability for injury to persons or damage to property caused by incorrect or improper use of the appliance.
- Do not use the oven with front door glass removed or broken.
- Check that all controls on the appliance are switched off after use.

i IMPORTANT: Call the authorized service for installation of the appliance to be used. After this procedure, guarantee period will be started.

Safety for children



WARNING:

Stepping, leaning or sitting on the door or drawers of this range can result in serious injuries and also cause damage to the range. Do not allow children to climb or play around the range. The weight of a child on an open door may cause the range to tip, resulting in serious burns or other injury.

- Do not leave children alone - children should not be left alone or unattended in area where appliance is in use. They should never be allowed to sit or stand on any part of the appliance.



CAUTION:

Do not store items of interest to children in cabinets above a range or on the backguard of a range - children climbing on the range to reach items could be seriously injured."

- Accessible parts may be hot when the broil is in use. Young children should be kept away.
- The packaging materials will be dangerous for children. Keep the packaging materials away from children. Please dispose of all parts of the packaging according to environmental standards.



WARNING:

A child or adult can tip the range and be killed.

Verify the anti-tip device has been properly installed to the floor or wall and that the rear foot of the range is engaged to bracket as shown in illustration instructions.

Ensure the anti-tip device is re-engaged when the range is moved by ensuring the foot of the is engaged into the anti-tip device.

Do not operate the range without the anti-tip device in place and engaged.

Safety when working with electricity

- Any work on electric equipment and systems may only be carried out by authorized qualified persons.
- In case of any damage, switch off the appliance and disconnect it from the main supply by removing the fuse or switching off the circuit breaker.
- Ensure that the fuse rating is correct.
- Do not operate the appliance barefooted.
- Never touch the appliance with wet hands or feet.
- Do not soak removable heating elements. Heating elements should never be immersed in water.

Intended use

The appliance is designed for domestic use only. Commercial use is not admissible.

This appliance is not intended to use at mobile homes, recreational vehicles.

This appliance should not be used for warming the plates under the broil, hanging towels and dish cloths on the handles, for drying and the space heating purposes.

All openings in the wall behind the appliance and in the floor under the appliance shall be sealed.

The manufacturer shall not be held liable for any damage caused by improper use or handling errors.

The appliance can be used for defrosting, baking, roasting and broiling food.

Disposal

Packaging material

⚠ DANGER: Risk of suffocation by the packaging materials!

Packing elements (i.e. plastic bags, polystyrene foam, nails, packing straps, etc.) should not be left around within easy reach of children, as these may cause serious injuries.

The packaging material and transport locks are made from materials that are not harmful to the environment. Please dispose

of all parts of the packaging according to environmental standards. This is beneficial to the environment.

Future transportation

Do not carry out cleaning or maintenance operations on the appliance without having previously disconnected it from the electric power supply.

ⓘ NOTICE: Do not place other items on the top of the appliance. The appliance must be transported upright.

Store the appliance's original box and transport the appliance in its original carton. Follow the guidance marks that are printed on the carton.

ⓘ IMPORTANT: Verify the general appearance of your equipment by identifying possible damage during the transportation.

To prevent the wire shelf and tray inside the oven from damaging the oven door, place a strip of cardboard onto the inside of the oven door that lines up with the position of the trays. Tape the oven door to the side walls.

If you do not have the original carton

Pack the appliance in bubble wrap or thick cardboard and tape it securely in order to prevent damage during transportation.

2 INSTALLATION

The kitchen floor must be able to carry the weight of the appliance plus the additional weight of cookware and bakeware and food.

- If an appliance hood is to be fitted, refer to the manufacturer's instructions regarding fixing height.
- Any kitchen furniture next to the appliance must be heat-resistant (212 °F min.).

Installation and connection

i IMPORTANT: Do not install the appliance next to refrigerators or freezers. The heat emitted by the appliance will lead to an increased energy consumption of cooling appliances.

- For installation the appliance must be connected in accordance with all local electrical regulations.

i IMPORTANT: Unit is heavy and requires a least two persons or proper equipment to move.

i NOTICE

Material damage!

The door and/or handle must not be used for lifting or moving the appliance.

- The appliance must be placed directly on the floor. It must not be placed onto a base or a pedestal.

Clearances & Dimensions

Dimensions that are shown in figures 1 and 1A must be used. Given dimensions provide minimum clearance. There needs to be a 30-inch minimum clearance between the top of the cooking surface and the bottom of unprotected wood or metal cabinets or a 24-inch minimum

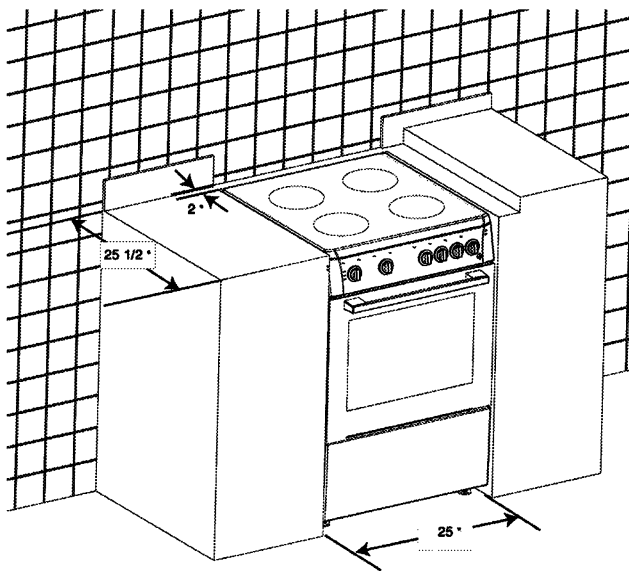
when bottom of wood or metal cabinets are protected by not less than a 1/4-inch flame retardant millboard covered with not less than no. 29 msg sheet-steel, 0.015-inch stainless steel, 0.024-inch aluminum or 0.020-inch copper.

To eliminate the risk of burns or fire by reaching over heated surface units, cabinet storage space located above the surface units should be avoided. If cabinet storage is to be provided, the risk can be reduced by installing a range hood that projects horizontally a minimum of 5 inches beyond the bottom of the cabinets.

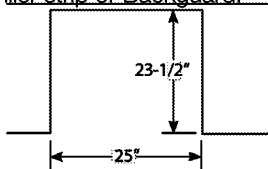
Important notes to the consumer

Keep this manual for future reference.

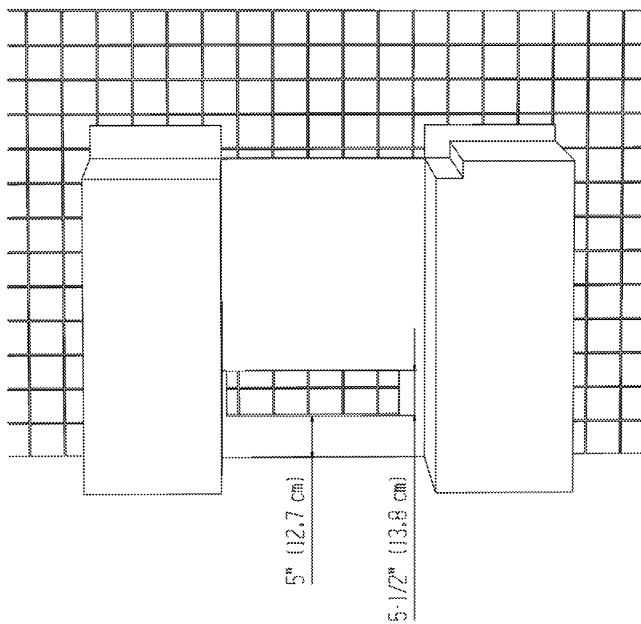
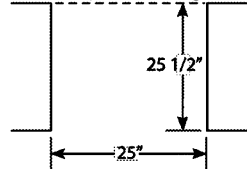
- As when using any range generating heat, there are certain safety precautions you should follow. These are listed in the front of this manual. Read and follow carefully.
- Be sure your range is installed and grounded properly by a qualified installer or service technician.
- To eliminate the need to reach over the cooktop, cabinet storage space above the cooktop should be avoided.



If you are NOT using the
Filler strip or Backguard:



If you are using the
Filler strip or Backguard:



Important Notes to the Installer

Read manual before installing the range.

Observe all governing codes and ordinances.

Be sure to leave these instructions with the consumer.

Be sure your range is installed and grounded properly by a qualified installer or service technician.

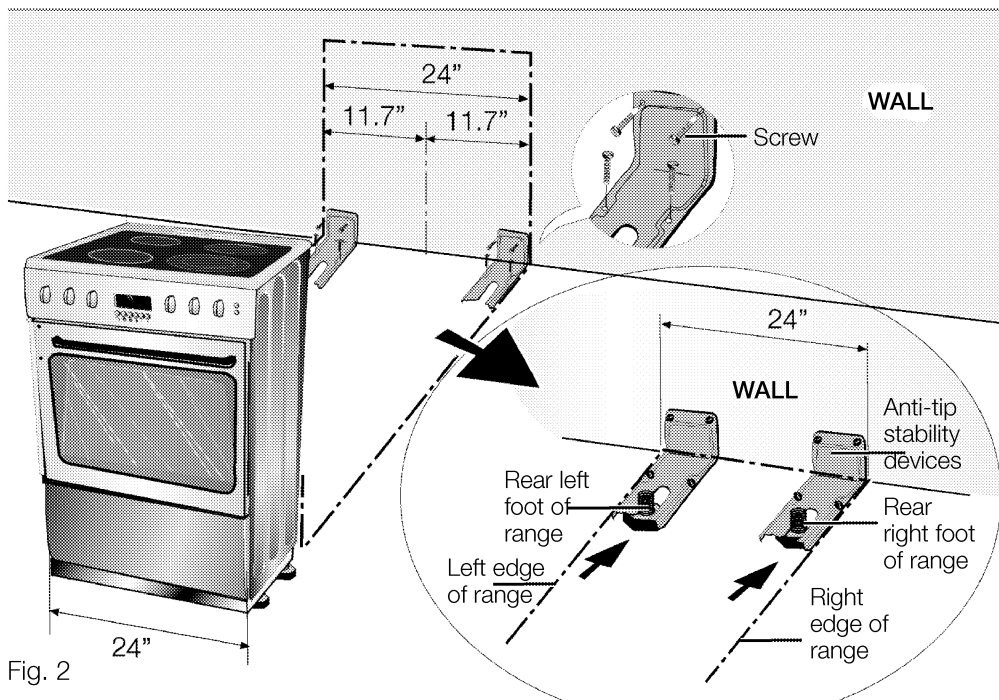
i IMPORTANT: Before installing the range in an area covered with linoleum or any other synthetic floor covering, make sure the floor covering can withstand heat at least 90°F (32.2°C) above room temperature without shrinking, warping or discoloring.

Do not install the range over carpeting unless you place an insulating pad or sheet of 1/4inch (0.64cm) thick plywood between the unit and carpeting.

⚠ WARNING

All ranges can tip and injury to persons could result.

- A child or adult can tip the range and be killed.
- Install the anti-tip device packed with range to the structure wall of floor.
- Engage the range to the anti-tip bracket by sliding range so that the rear foot of range into the bracket as shown in figures 2 and 3.
- Re-Engage the anti-tip device if the range is moved.
- See installation instructions below.
- Failure to follow these instructions can result in death or serious burns to children or adults.



Anti-Tip stability device installation instructions

There is only one anti-tip stability device with product.

You can use it for right back foot or left back foot.

1. The anti-tip device has to be attached to the rear wall or floor as shown in Figure 3.

The dimension for the bracket location from the floor is to be determined after the appliance feet have been adjusted to the proper installation height shown in the installation instructions and the appliance has been leveled.

4. After installation cautiously grip the rear of the range to ensure the anti-tip bracket is engaging the rear foot of range.



Tip Over Hazard

A child or adult can tip the range and be killed. Connect anti-tip bracket to rear range foot. Reconnect the anti-tip bracket, if the range is moved. Failure to follow these instructions can result in death or serious burns to children and adults.

⚠ DANGER: Electrical shock hazard!

- Use extreme caution when drilling holes into the wall or floor. There may be concealed electrical wires located behind the wall or under the floor.
- Identify the electrical circuits that could be affected by the installation of the Anti Tip Device, then turn off power to these circuits.

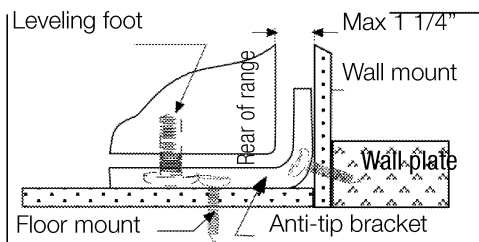
Failure to follow these instructions may result in electrical shock or other personal injury.

The California Safe Drinking Water and Toxic Enforcement Act requires the Governor of California to publish a list of substances known to the State of California to cause cancer, birth defects, or other reproductive harm, and requires businesses to warn of potential exposure to such substances.

i IMPORTANT: This product contains a chemical known to the State of California to cause cancer, birth defects, or other reproductive harm.

This appliance can cause low-level exposure to some of the substances listed, including benzene, formaldehyde, carbon monoxide, and toluene.

Fasten Bracket (Wall or Floor Mounting)



Fasten Bracket (Floor Mounting only)

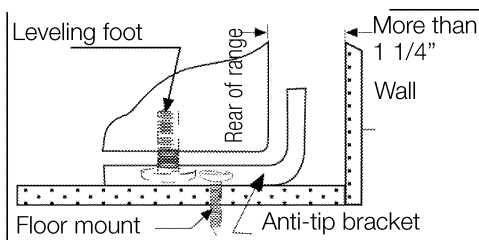


Fig. 3

2. Locate the anti-tip device on the wall at the measured dimension from where the left side of the appliance (facing range) is to be located.

3. Slide range into place making sure the anti-tip device engages the foot at rear of range.

neutral (white wire).

Connection to the main supply

DANGER: Risk of electric shock!

Before starting any work on the electrical installation, the electrical power to the range must be shut off while line connections are being made.

Failure to follow these instructions can result in death, fire, or electrical shock.

 **IMPORTANT:** Electrical installation should comply with national and local codes.

Provide Electrical connection

Install the junction box under the cabinet and run 120/240 or 120/208 Volt, AC wire from the main circuit panel. DO NOT connect the wire to the circuit panel at this time.

Electrical requirements

This appliance must be supplied with the proper voltage and frequency and connected to an individual, properly grounded branch circuit, protected by a circuit breaker or fuse. A circuit breaker or fuse is required by your appliance. The circuit breaker or fuse amperage recommended for your appliance is 40A or 50A.

Observe all governing codes and local ordinances

A 3 wire or 4 wire single phase 120/240 or 120/208 Volt, 60 Hz AC only electrical supply is required on a separate circuit fused on both sides of the line (red and black wires). A time-delay fuse or circuit breaker is recommended. DO NOT fuse

NOTE: Wire sizes and connections must conform with the fuse size and rating of the appliance in accordance with the American National Electrical Code ANSI/NFPA No. 70-latest edition.

 **IMPORTANT:** This appliance must be properly grounded to avoid shock hazard!

Our company shall not be held responsible for any damage caused by using the appliance without a grounded receptacle.

This range must be electrically grounded in accordance with local codes, or in their absence, with the National Electrical Code ANSI/NFPA No. 70-latest edition in the United States.

Installation should be made by a Licensed electrician.

DANGER: Risk of electric shock, short circuit or fire by damage of the main power supply!

The main power supply lead must not be clamped, bent or trapped or come into contact with hot parts of the appliance.

If the main power cable is damaged, it must be replaced by a qualified electrician.

This range may be connected by means of permanent "hard wiring" (flexible armored or nonmetallic shielded copper or aluminum cable), or by means of a power supply cord kit. Only a power supply cord kit rated at 120/240 volts and 40 or 50 amperes terminating in tinned leads and marked for use with ranges shall be used. If a 50 Ampere cord is used it must be marked for use with a 1 3/8 inches diameter opening.

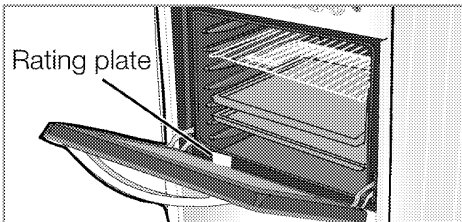
Cord must have either 3 or 4 conductors to match electric receptacle (Use copper or Aluminium Conductors).

⚠ WARNING: Risk of fire or electrical shock exists if an incorrect size appliance cord kit is used or the Installation manual or strain relief clamp are disregarded.

⚠ WARNING: Do not loosen the nuts which secure the factory-installed range wiring to the terminal block while connecting range. Electrical failure or loss of electrical connection may occur.

When installed where it is not permitted to ground through the neutral, a 4-conductor cord must be used or cable assembly. See manufacturer's instructions.

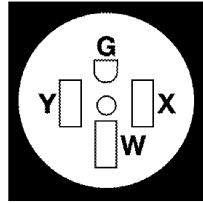
The main supply data must correspond to the data specified on the rating plate of the appliance. The rating plate is either seen when the door or the lower cover is opened.



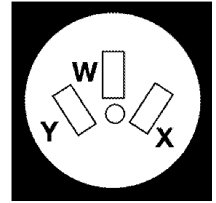
3 & 4 -wire electrical wall receptacle types & recommended mounting orientation on wall

Figure A illustrates 4-wire receptacle required for new branch circuit installation (1996 NEC) mobile homes, and recreational vehicles or where local codes do not allow grounding thru the neutral.

Figure B illustrates 3-wire receptacle that is allowed in areas that allow grounding through neutral.



A) 4-wire wall receptacle (14-50R)



B) 3-wire wall receptacle (10-50R)

Access to Terminal Block

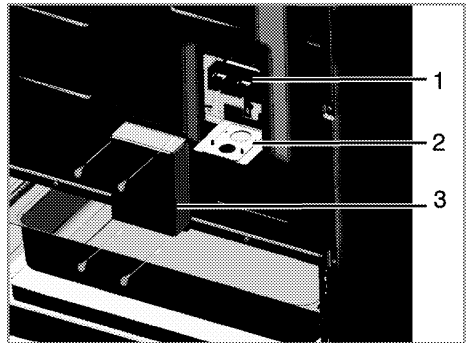


Fig.4

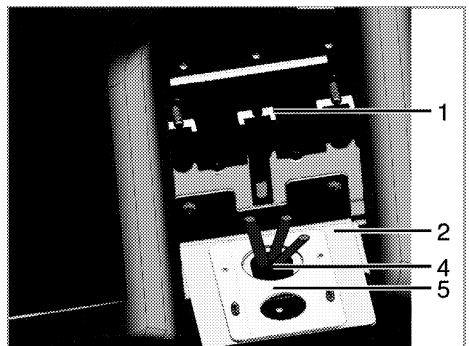


Fig.5

1. Terminal block
2. Power cord/conduit plate
3. Terminal block cover
4. Supply cord or conduit
5. Range Bracket

Loosen the screws on rear access cover and take off the terminal block cover see Figure 4.

After completing connections put terminal block cover to the original location and tighten the screws.

Power connections


WARNING: **Risk of electric shock!**

Frame grounded to neutral of appliance through a link. Grounding through the neutral conductor is prohibited for new branch-circuit installations (1996 NEC); mobile homes; and recreational vehicles, or in an area where local codes prohibit grounding through the neutral conductor. For installations where grounding through the neutral conductor is prohibited:

a- Disconnect the link from the neutral;
b- Use grounding terminal or lead to ground unit; and

c- Connect neutral terminal or lead to branch circuit neutral in usual manner (when the appliance is to be connected by means of a cord kit, use 4-conductor cord or conduit for this purpose) See fig.9.

- Do not use an extension cord.

 IMPORTANT: Do not loosen the factory installed nut connections which secure the range wiring to terminal block. Electrical failure or loss of electrical connection may occur if these 3 nuts are loosened or removed.

Power Cord

Strain relief installation

1 - Remove the terminal block cover (on the back of the range) by removing the screws as shown in Figure 4.

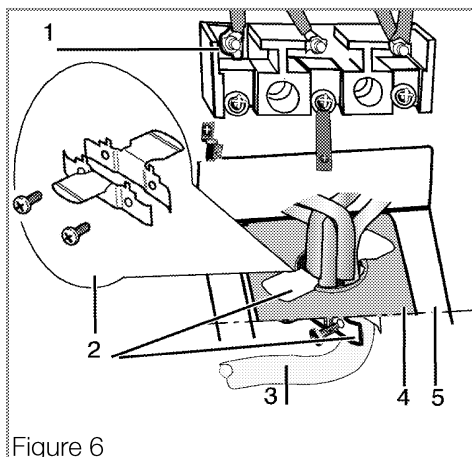
Do not discard screws.

2 - Remove the Power Cord/Conduit Plate shown in Figure 5, by removing the two screws that secure it to the Range Bracket.

Note: retain this plate for future use in case the range is moved and re-wired.}

3 - Using the 1-3/8 in. diameter opening insert the strain relief and powercord through the opening and secure the strain relief as directed in the power cord instructions as shown in figure 6.

 IMPORTANT: Do not install the power cord without a strain relief



- Figure 6
1. Terminal Block
 2. Strain relief
 3. Power cord
 4. Power cord conduit plate
 5. Range Bracket

Conduit installation

Note for conduit installation purchase a squeeze connector matching the diameter of the conduit and assemble it in the hole. Insert the conduit through the squeeze connector and tighten. Allow enough slack to easily attach the wires to the terminal block. A Listed conduit connector may also be used for this purpose.

- 1- Remove the terminal block cover (on the back of the range) by removing the screws as shown in Figure 4.

Do not discard screws

- 2 -Determine the size of conduit needed and if necessary remove the Power cord/Conduit Plate shown in Figure 7 and reverse the plate so that the proper size opening in plate for your conduit is directly over the 1-3/8 in opening in the range bracket Figure 5. Secure the Power Cord/Conduit Plate using the same screws that were removed to take the plate off.

- 3 - Secure the conduit to the Power cord/Conduit plate using a listed conduit connector or squeeze connector as shown in fig.7.
- 4 -See Figure 8 for 3 wire power connection and figure 9 for 4 wire connection.

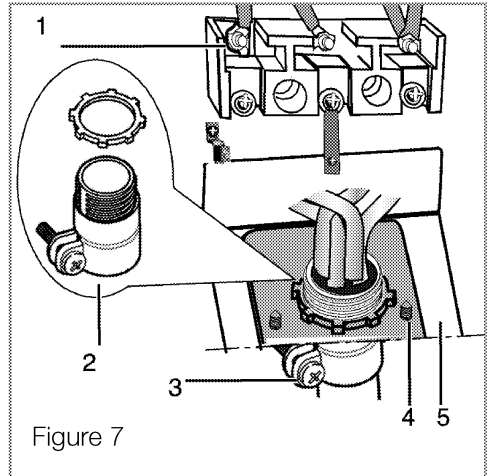


Figure 7

1. Terminal Block

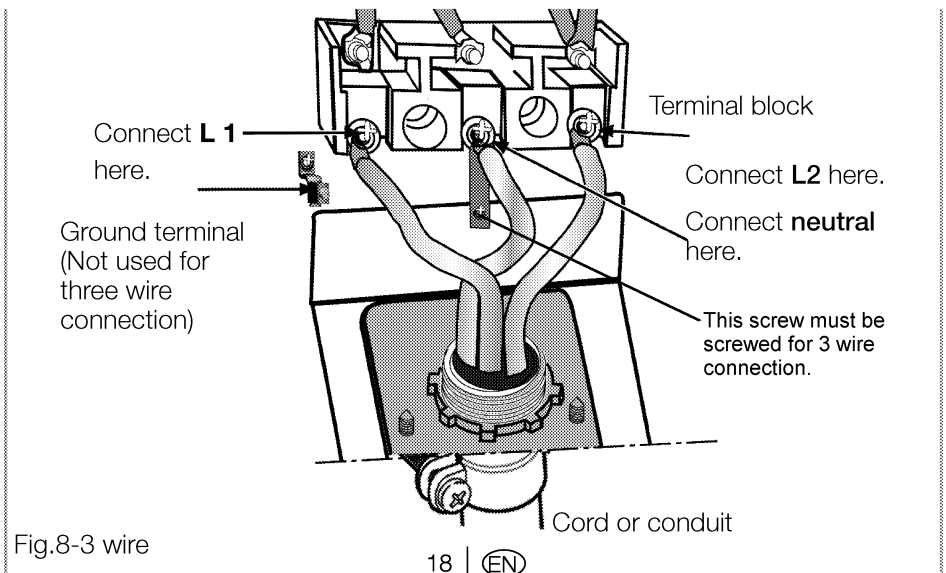


Fig.8-3 wire

2. Squeeze connector
3. Conduit
4. Power cord/conduit plate
5. Range Bracket

NOTE: Do not install the conduit without a squeeze connector. the squeeze connector should be installed before reinstalling the rear range wiring cover

Power connections

Three wire connection:

i IMPORTANT: The neutral or ground wire or the power cord must be connected to the neutral terminal located in the center of the terminal block. The power leads must be connected to the lower left and

lower right terminals of the terminal block.

- 1 - Loosen the lower screw on each terminal - of the terminal block.
- 2- Insert leads into terminal block and tighten.

Note: the ground terminal shown in the figure 8 shown below is not used for this installation.

- 3- Replace Terminal block cover.

Four wire connection:

i IMPORTANT: The neutral wire of the supply circuit must be connected to the neutral terminal of the terminal block located in the center of the terminal block The power leads must be connected to the lower left and lower

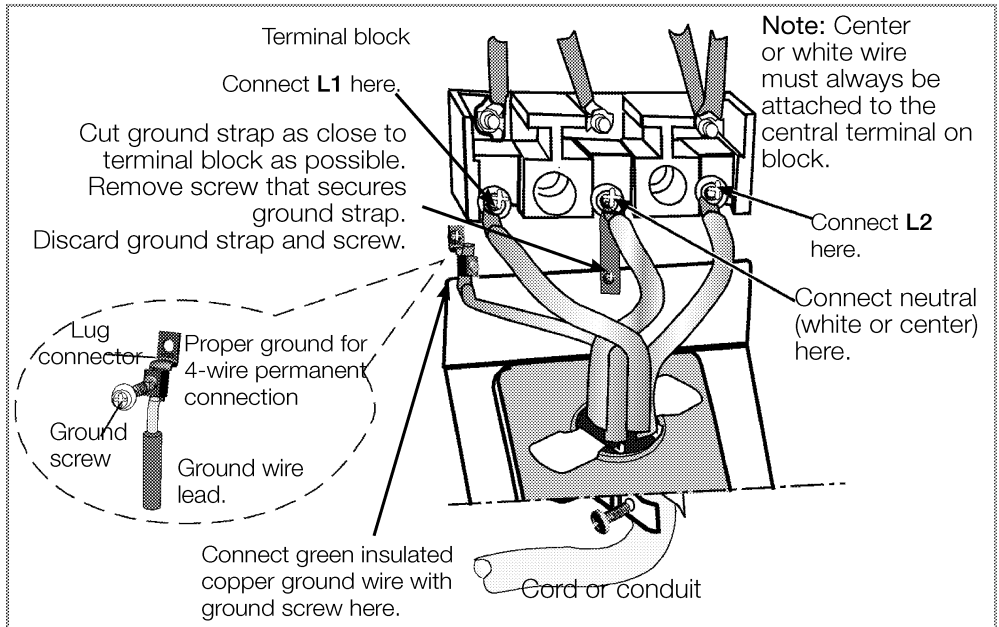


Fig. 9- 4 wire

right terminals of the terminal block. The grounding lead must be connected to the copper grounding lug as shown in the figure 9 above.

1. Loosen the lower terminal screws of the terminal block. Remove the screw that secures the ground strap and cut the copper ground strap from the terminal block, discard the strap.

2 - Insert the power leads and neutral lead into the terminal block as instructed

above and tighten the screws.

3 - Insert the ground lead from the power supply into the copper grounding lug as shown in the figure below. Tighten screw.

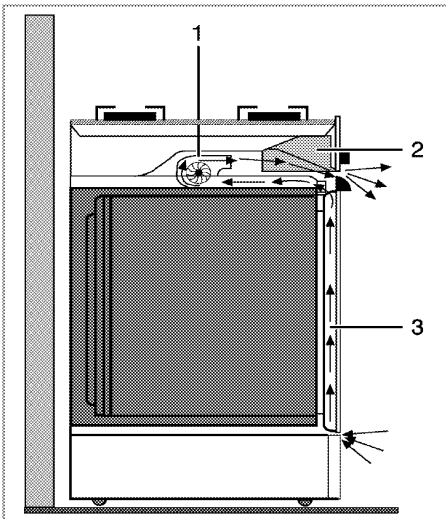
4 - Replace Terminal block cover.

- To align the appliance with the worktop, adjust the feet turning right or left hand as required.

For products with cooling fan

The cooling fan cools both the built-in cabinet and the front of the product.

- i** Cooling fan continues to operate for about 20-30 minutes after the oven is switched off.



1. Cooling fan
2. Control panel
3. Door

3 PREPARATION

Tips for saving energy

The following tips will help you to use your appliance in an ecological way and to save energy:

- Use dark colored and enamel coated trays, since the heat transmission will be better.
- While cooking your meals, perform a preheating operation if it is advised in the user manual or cooking instructions.
- During cooking, do not open the oven door frequently.
- Try to cook more than one type of meal within the oven at the same time (You can cook two different meals at the same time by locating cooking bowls on the same shelf). It will be suitable to cook more than one meal after each other. The oven will already be hot.
- Defrost frozen meals before cooking them.
- You can save energy by switching off your oven a few minutes before the end of the cooking time (The oven door should not be opened).
- Use pots/pans with lids for cooking. Without a lid, the energy consumption may be up to four times higher.
- Choose the burner/plate which is suitable to the saucepan base. Always choose the correct size of saucepans for your meals. For larger burners/plates more energy is needed.
- Take care to use flat base saucepans while cooking on electrical cookers.
- Pots with an even and thick bottom provide better thermal conduction.

You can save up to 1/3 of electricity.

- Pots and pans should match the size of plates. The bottom of the pot or pan should not be smaller than the plate.
- Keep plates and pan bottoms clean. Dirt will reduce the heat transmission between plate and pan bottoms.
- In case of longer cooking times, switch off the plate 5 to 10 minutes before the end of the cooking time. When you use the residual heat, you can save up to 20 % of electricity.

Initial operation

First cleaning of the appliance

i IMPORTANT: When removing appliance for cleaning and/or service;

Disconnect AC power supply.

Carefully remove the range by pulling outward.

Range is heavy, use care in handling.

i NOTICE: The surface might get damaged by some detergents or cleaning materials.


Do not use aggressive detergents, cleaning powder/cream or any sharp objects. Be careful to avoid steam burn. Some cleaners can produce noxious fumes if applied to a hot surface.

1. Remove all packaging materials.
2. Wipe the surfaces of the appliance with a damp cloth or sponge and dry with a cloth.

Initial heating

 **WARNING:** Hot surfaces may cause burns!

Do not touch the hot surfaces of the appliance. Use oven gloves. Keep children away from the appliance.

 **IMPORTANT:** Smell and smoke may emit during first heating. Ensure that the room is well ventilated.

Any production residues or conservation layers must be burnt off before the first use. Heat up the appliance for about 30 minutes and then switch it off.

Electric oven

1. Take all baking trays and racks from the oven.
2. Close oven door.
3. Select top and bottom heat with the function knob.
4. Select the highest temperature with the thermostat knob; see How to use the electric oven, page 24.
5. Heat approximately 30 minutes.
6. Switch off oven; see How to use the electric oven, page 24.

Broil oven

1. Take all baking trays and wire shelf from the oven.
2. Close oven door.
3. Select highest power of the broil; see How to operate the broil, page 29.
4. Heat approximately 30 minutes.
5. Switch off broil; see How to operate the broil, page 29.

4 HOW TO USE THE HOB

General information on cooking



DANGER: Risk of fire by overheated oil!

When you heat oil, do not leave it unattended.

Never try to extinguish the fire with water! When oil has caught fire, immediately cover the pot or pan with a lid. Switch off the burner/plate if safe to do so and phone the fire service.

Only use flat bottomed pots or pans.

- Use pans which have sufficient capacity for the amount of food being cooked so they don't boil over and cause unnecessary cleaning.
- Do not place lids on the burners.
- Always position pans centrally over the burners. When transferring pans from one burner to another always lift the pans do not slide them.
- This appliance is equipped with one or more surface units of different size. Select utensils having flat bottoms large enough to cover the surface unit heating element. The use of undersized utensils will expose a portion of the heating element to direct contact and may result in ignition of clothing. Proper relationship of utensil to burner will also improve efficiency.
- Never leave surface units unattended at high heat settings. Boilover causes smoking and greasy spillovers that may ignite.
- Make sure reflector pans or drip bowls are in place. Absence of these pans or bowls during cooking may subject wiring or components underneath to damage.

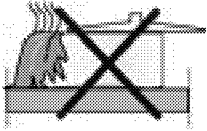
Tips for glass ceramic burner/plate

- The glass ceramic surface is heat-resistant and insensitive to large temperature deviations.
- Do not use the glass ceramic burner/plate for keeping objects or as cutting surface.

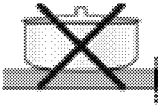
Do not cook popcorn in prepackaged aluminum containers on the cooktop. They could leave aluminum marks that cannot be removed completely.

- Use pot and pans with ground bottoms. Sharp edges cause scratches on the surface.
- Do not use aluminium pots and pans. Aluminium damages the glass ceramic surface.
- Only certain types of glass, glass/ceramic, ceramic earthenware or other glazed utensils are suitable for range-top service without breaking due to the sudden change in temperature.
- Do not cook foods directly on the cook-top.
- For foods containing sugar in any form, clean up all spills and soils as soon as possible. Allow the cook-top to cool down slightly. Then, while wearing oven mitts, remove the spills while the surface is still warm. If sugary spills are allowed to cool down, they can adhere to the cook-top and can cause pitting and permanent marks.
- If a wet sponge or cloth is used to wipe spills on a hot cooking area, be careful to avoid steam burn. Some cleaners can produce noxious fumes if applied to a hot surface. Utensil handles should be turned inward and

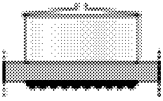
not extend over adjacent surface units. To reduce the risk of burns, ignition of flammable materials, and spillage due to unintentional contact with the utensil, the handle of a utensil should be positioned so that it is turned inward, and does not extend over adjacent surface units.



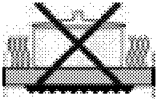
Splashes may damage the ceramic surface and can cause fire.



Do not use pots that have concave or convex bottoms.

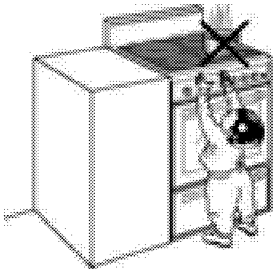


Use pot and pans with smooth bottoms. They ensure a good heat transfer.



If the pan is too small energy is wasted

⚠ DANGER:



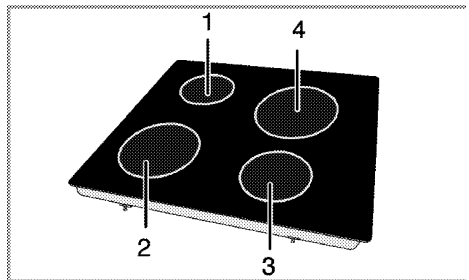
Tipping of pan

Make sure that the handles of cookware do not stick out over the edge of the appliance, to avoid them being knocked over by accident. This also makes it more difficult for children to reach the cooking pans.

- Ensure handles of pans cannot accidentally be caught or knocked and do not get hot by adjacent heating zones. Avoid pans that are unstable and easily tipped. Pans that are too heavy to move easily when filled can also be a hazard.

Do not store items of interest to children in cabinets above a range or on the backguard of a range. Children climbing on the range to reach items could be seriously injured.

How to use burners/plates



- 1 Single-circuit cooking plate 5,5-6,3
 - 2 Single-circuit cooking plate 7-8 inch
 - 3 Single-circuit cooking plate 5,5-6,3
 - 4 Single-circuit cooking plate 7-8 inch
- is list of advised diameter of pots to be used on related burners.

⚠ DANGER: Broken glass!

Do not let any objects fall onto the plate. Even small objects (e.g. salt shaker) may damage the burner/plate.

Do not use glass ceramic plates with cracks. Water may enter into the cracks and cause a short circuit.

If the surface is damaged in any way (e. g. visible cracks), switch off the device immediately to reduce the risk of an electric shock.

If cooktop should break, cleaning solutions and spillovers may penetrate the broken cook-top and create a risk of electric shock. Contact a qualified technician immediately.

The glass ceramic burner/plate is equipped with an operating lamp and a residual heat indicator.

The residual heat indicator indicates the position of the switched on plate and remains illuminated after switching off. (When the temperature of the plate falls below touchable temperature the indicator light will go off). Weak flicker illumination is not a problem at residual heat indicator light.

NOTICE:

Quick heating glass-ceramic plates emit a bright light when they are switched on. Do not stare to bright light.

Switching the plate on

The burner/plate control knobs are used for operating the plates. To obtain the desired cooking power, turn the burner/plate control knobs to the corresponding level.

Cooking level	1	2	3
	warming	stewing, simmering	cooking, roasting

Switching the plate off

Turn plate control knob to off position (top).

5 HOW TO OPERATE THE OVEN

General information on baking, roasting and broiling

DANGER:

Risk of scalding by hot steam!

Stand away from the range when opening oven door. Hot air or steam which escapes can cause burns to hands, face, and/or eyes.

Let hot air or steam escape before removing or replacing food.

Tips for baking

- Use non-stick coated appropriate metal plates or aluminum containers or heat-resistant silicone moulds.
- Make best use of the space on the rack.
- It is recommended to place the baking mould in the middle of the rack.
- Select the correct shelf position before turning the oven or broil on do not move oven shelves when hot.
- Always place oven racks in desired location while oven is cool. If rack must be moved while oven is hot, do not let potholder contact hot heating element in oven.
- Keep the oven door closed.

Tips for roasting

- Seasoning with lemon juice and black pepper will improve the cooking performance when cooking a whole chicken, turkey or a large piece of meat.
- Meat with bones takes about 15 to 30 minutes longer before it is cooked than a roast of the same size without bones.

- You should calculate about 4 to 5 minutes cooking time per centimeter height of the meat.
- Let meat rest in the oven for about 10 minutes after the cooking time. The juice is better distributed all over the roast and does not run out when the meat is cut.
- Fish in a fire-resistant dish should be placed on the rack at the medium or lower level.

Tips for broiling

Broiling is ideal for cooking meat, fish and poultry and will achieve a nice brown surface without it drying out too much. Flat pieces, meat skewers and sausages are particularly suited for broiling as are vegetables with a high water content such as tomatoes and onions.

- Distribute the pieces to be broiled on the wire shelf.
- If the broiling is on the wire shelf, locate a dripping pan under it in order to collect the fat.
- Add some water in dripping pan for easy cleaning.

How to use the electric oven

IMPORTANT:

Food Poisoning Hazard

Do not let food sit in oven more than one hour before or after cooking.

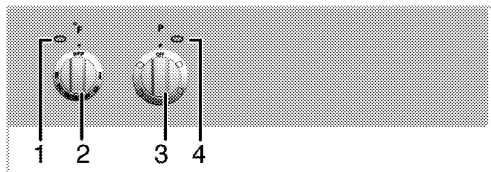
Doing so can result in food poisoning or sickness.

WARNING:

Never cover any slots, holes or passages in the oven bottom or cover an entire

rack with materials such as aluminium foil. Doing so blocks airflow through the oven and may cause carbonmonoxide poisoning. Aluminium foil linings may also trap heat, causing a fire hazard.

Select temperature and operating mode



1. Thermostat lamp 2. Thermostat knob
3. Function knob 4. Function lamp

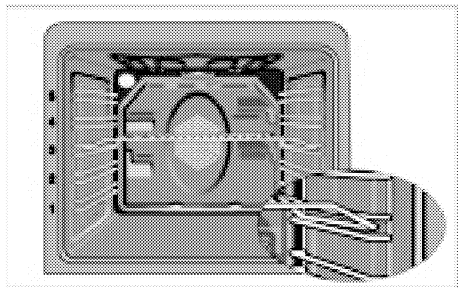
The operating modes of the electric oven are selected with the function knob. The temperature is adjusted with the thermostat knob.

All oven functions are turned off by turning the relevant knob to off (upper) position.

1. Set thermostat knob to the desired temperature.
 2. Set function knob to the required operating mode.
- » The oven heats up to the adjusted temperature and maintains it. During heating, temperature lamp stays on.

Switch off electric oven

Turn function knob and thermostat knob to off position (top).



Shelf positions

It is important to position the wire shelf on side rack correctly. The wire shelf must be placed so that it will fit into the opening of the wire shelf as illustrated in the figure.

Static



Top and bottom heat are on. The foodstuffs are heated simultaneously from the upper and lower part. Suitable for cakes, cookies or cakes and casseroles in baking moulds. Cook with one tray only.

Bottom heat



Only bottom heat is on. Is particularly suitable for dishes, such as pizza, which are required to be baked from bottom.

Broil



The large broil (under the oven roof) is in operation. Suitable for broiling larger quantities.

- Put big or medium-sized portions in correct shelf position under the broil heater for broiling.
- Set the temperature to maximum level.
- Turn the food after half of the broiling time.

Low Broil



The broil effect is not as strong as with normal broiling.

- Put small or medium-sized portions in correct shelf position under the broil heater for broiling.
- Set the temperature to maximum level.
- Turn the food after half of the broiling time.

Tips for baking cakes

1. If pastry is too dry,
 - » Increase the temperature by 50°F and reduce the cooking time.

2. If pastry dropped,
 - » Use less liquid or lower the temperature by 50°F.
3. If pastry is too dark on top,
 - » Place it on a lower rack, lower temperature, and increase the cooking time.
4. If cooked well on the inside but sticky on the outside,
 - » Use less liquid, lower the temperature, and increase the cooking time.

Tips for baking pastry

1. If the pastry is too dry,
 - » Increase the temperature some 50°F and decrease the cooking time.
 - » Dampen the layers of dough with a sauce composed of milk, oil, egg and yogurt.
2. If the pastry takes too long to bake,
 - » Make sure that the thickness of the pastry you have prepared does not exceed the depth of the tray and remain level with it.
3. If the upper side of the pastry gets browned, but the lower part is not cooked,
 - » Make sure that the amount of sauce you have used for the pastry is not too much at the bottom of the pastry. Try to scatter the sauce equally between and on the dough layers for an even browning.
 - » Cook the pastry in accordance with the mode and temperature given in the cooking table. If the bottom part is still not browned enough, place it on one-layer-lower shelf next time.

Tips for cooking vegetables

1. If the vegetable dish runs out of juice and gets to dry,
 - » Since using a lid during cooking will keep the juice of the dish in the pan, cook

your vegetable dishes in a pan with a lid instead of a tray.

2. If a vegetable dish does not get cooked,
 - » Boil the vegetables beforehand or prepare them like canned food and put in the oven.
 - » Boil the vegetables beforehand or prepare them like canned food and put in the oven.

Cooking times table













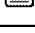


i IMPORTANT:

The values indicated in the table below are data indicative. They may vary according to the type of food as well as your preferences of cooking.

Baking and roasting

i IMPORTANT:

Level 1 is the **bottom** level in the oven.

Food	Cooking level number		Rack position	Temperature (°F)	Cooking time (min.) (approx.)
Cake in tray	One level		4	350	25 ... 30
Cake in mould	One level		2	355	40 ... 50
Cakes in paper	One level		3	350	25 ... 30
Sponge cake	One level		3	390	5 ... 10
Cookies	One level		3	350	25 ... 30
Dough pastry	One level		2	390	30 ... 40
Filled savory pastry	One level		2	390	25 ... 35
Leaven	One level		2	390	35 ... 45
Lasagna	One level		2-3	390	30 ... 40
Pizza	One level		2	390 ... 430	15 ... 20
Lamb haunch (casserole)	One level		3	25 min. max after 355...375	70 ... 90
Roast chicken	One level		2	15 min. max after 355...375	55 ... 65
Turkey (5.5 kg)	One level		2	25 min. max after 355...375	160 ... 210
Fish	One level		3	390	20 ... 30

It is suggested to perform preheating for all foods.

(**) For preheating, set the required temperature, the thermostat lamp will go out when the required temperature is reached.

How to operate the broil

i IMPORTANT:

Before using the oven the clock time must be set. If the clock time is not set, the main oven will not work.



WARNING:

Hot surfaces may cause burns!

Close oven door during broiling.

Switch on broil

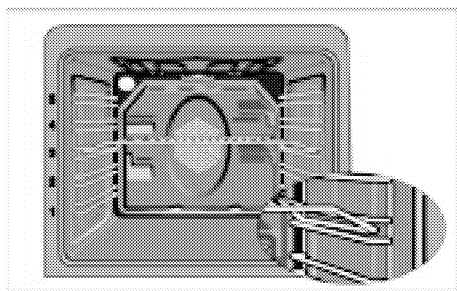
1. Set the function knob onto the broil symbol.
 2. Set broil temperature.
 3. Preheat for approximately 5 minutes, if it is necessary.
- » The thermostat lamp is switched on.

Switch off broil

1. Turn broil control knob to off position (top).

Shelf positions

For optimum broil coverage, position the wire shelf towards the front of the oven just out of contact with the glass door. Placing the wire shelf fully to the rear of the oven will reduce the broil coverage.



Cooking times table for broiling

Broiling with electric broil

Food	Rack position	Grilling time (approx.)
Fish	4...5	20...25 min. #
Sliced chicken	4...5	25...35 min.
Lamb chops	4...5	20...25 min.
Roast beef	4...5	25...30 min. #
Veal chops	4...5	25...30 min. #
Toast bread	4	1...2 min.
# depending on thickness		

6 MAINTENANCE AND CARE

General information

DANGER:

Risk of electric shock!

Switch off the electricity before cleaning appliance to avoid an electric shock.

DANGER:

Hot surfaces may cause burns!

Allow the appliance to cool down before you clean it.

NOTICE:

The surface might get damaged by some detergents or cleaning materials.

Do not use aggressive detergents, cleaning powder/cream or any sharp objects. Be careful to avoid steam burn. Some cleaners can produce noxious fumes if applied to a hot surface.

Clean the appliance thoroughly after each use; in this way it will be possible to remove cooking residues more easily, thus avoiding these from burning the next time the appliance is used.

No special cleaning agents are required for cleaning the appliance. It is recommended to use warm water with washing liquid, a soft cloth or sponge and use a dry cloth for drying.

 **NOTICE:** Do not use any abrasive cleaning materials!

IMPORTANT:

Do not use steam cleaners for cleaning.

How to clean the burner/plate

Ceramic plates

Always rinse off fully with a clean cloth wrung out in clean water (as residue could

damage the ceramic glass surface next time the plate is used).

In no case should crusts be scratched off with serrated edge knives, steel wool or the like.

Remove calcium stains (yellow staining) with small amounts of decalcifying agents such as Durgol, vinegar or lemon juice.

Do not allow vinegar, coffee, milk, saltwater, lemon or tomato juice to remain in contact with enamel parts (i.e. inside the oven).

Apply agent with a sponge and, in the event of heavier soiling, let it work in for a longer period of time. Afterwards, wash off burner/plate with water.

IMPORTANT:

Sugar-based food such as custard and syrup should immediately be scraped off without waiting for the surface to cool down. Otherwise the burner/plate may be permanently damaged.

Cleaning the control panel

NOTICE:

Damage of the control panel!

Do not remove the control knobs for control panel cleaning.

Clean control panel and control knobs.

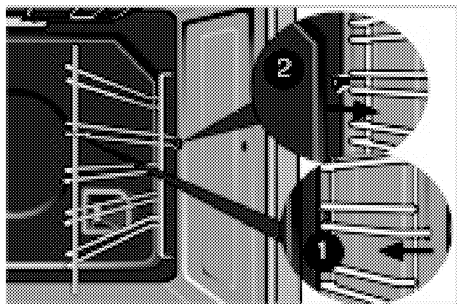
Cleaning the oven

No oven cleaner or any other special cleaning agent is required for cleaning the oven. It is recommended to wipe the oven with a damp cloth while it is still warm.

Do not allow fat or oils to build up in the oven base, or oven accessories.

To clean the side wall,

1. Remove the front section of the side rack by pulling it in the opposite direction of the side wall.
2. Remove the side rack completely by pulling it towards you.

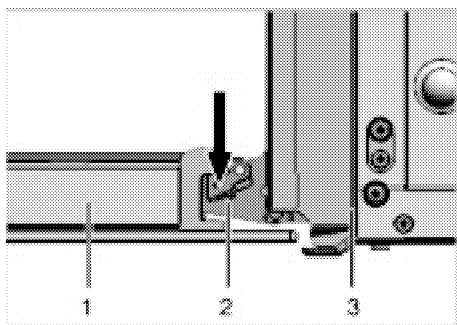


Clean oven door

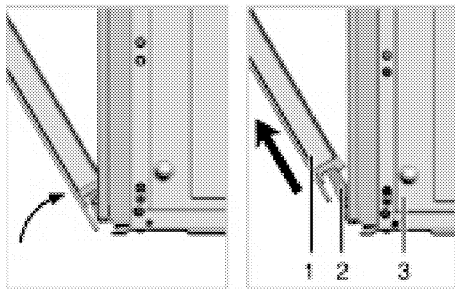
Don't use any harsh abrasive cleaners or sharp metal scrapers for cleaning the oven door. They could scratch the surface and destroy the glass.

Removal of oven door

1. Open the front door.
2. Open the clips at the hinge housing on the right and left hand sides of the front door by pressing them down as illustrated in the figure.



- 1 Front door
- 2 Hinge
- 3 Oven



3. Move the front door to half-way.
4. Remove the front door by pulling it upwards to release it from the right and left hinges.

⚠ NOTICE:

Steps carried out during removing process should be performed in reverse order (steps 4, 3, 2 and 1) to reattach the door. Do not forget to close the clips at the hinge housing when reinstalling the door.

Replacing the oven lamp

⚠ NOTICE:

Hot surfaces may cause burns!

Make sure that the appliance is switched off and cooled down in order to avoid the risk of an electrical shock.

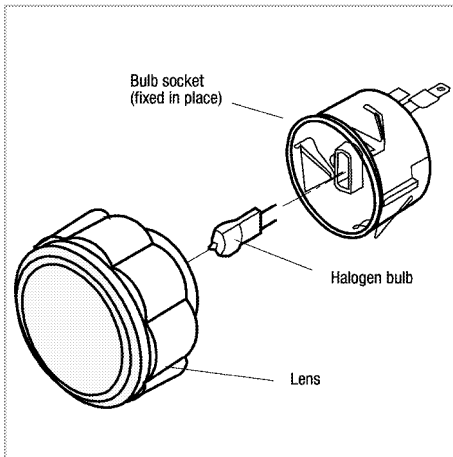
The lenses must be in place when using the oven.

The lenses serve to protect the light bulb from breaking.

The lenses are made of glass. Handle carefully to avoid breakage. Broken glass could cause an injury.

⚠ NOTICE:

Position of lamp might vary from diagram.



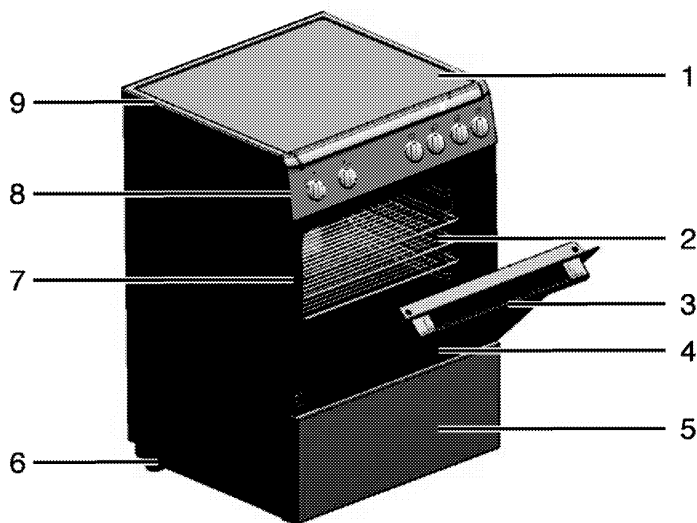
Each oven is equipped with one halogen light located in the back wall of the oven. The lights are switched on when the door is opened or when the oven is in a cooking cycle. The oven lights are not illuminated during self clean. Each light assembly consists of a removable lens, a light bulb as well as a light socket housing that is fixed in place. Light bulb replacement is considered to be a routine maintenance item.

To replace a light bulb:

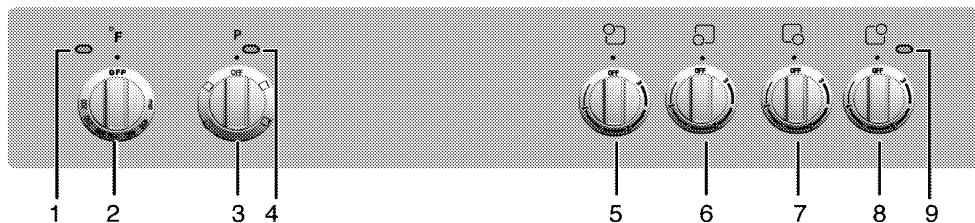
1. Read warning on this page.
2. Turn off power at the main power supply (your fuse or breaker box).

7 GENERAL INFORMATION

Overview



- | | | | |
|---|------------------|---|----------------------|
| 1 | Ceramic hotplate | 6 | Foot |
| 2 | Wire shelf | 7 | Shelf positions |
| 3 | Handle | 8 | Control panel |
| 4 | Front door | 9 | Vitroceramic surface |
| 5 | Lower drawer | | |



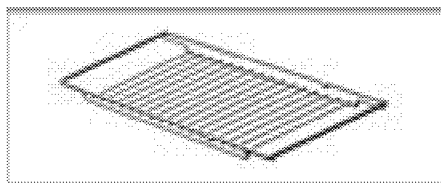
- | | | | |
|---|----------------------------------------|---|------------------------------------------|
| 1 | Thermostat lamp | 6 | Single-circuit cooking plate front left |
| 2 | Thermostat knob | 7 | Single-circuit cooking plate Front right |
| 3 | Function knob | 8 | Single-circuit cooking plate Rear right |
| 4 | Function lamp | 9 | Hotplate warning lamp |
| 5 | Single-circuit cooking plate rear left | | |

Technical Data

GENERAL	
Outer dimensions (height/width/depth)	33 1/3 /23 1/2 x 23 1/2 inches
Voltage/frequency	120/240V ~ 60 Hz
Total electric power	8,6 kW
Fuse protection	min. 40 A
Cable type / cross section	DTR 4x10 AWG
Cable length	max. 6 ft
Burners- BERU 24200 SS	
Rear left	Single-circuit cooking plate
Size	5,5 inches
Power	1200 W
Front left	Single-circuit cooking plate
Size	7 inches
Power	1800 W
Front right	Single-circuit cooking plate
Size	5,5 inches
Power	1200 W
Rear right	Single-circuit cooking plate
Size	7 inches
Power	1800 W
Main oven	Conventional oven
Inside illumination	15–25 W
Broil power consumption	2.2 kW

Accessories supplied with the unit

i IMPORTANT: Accessories supplied can vary depending on the product model. All the accessories described in the user manual may not exist on your product.

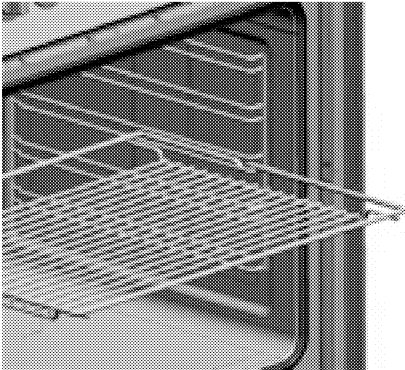
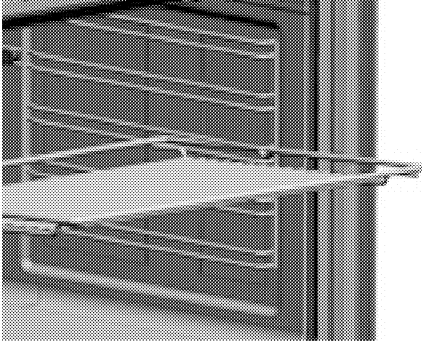


Wire shelf

Can be used for roasting and as deposit for baking, roasting and casserole dishes.

Proper positioning of the wire shelf on sliding shelves

It is important to position the broil and/or dripping pan on the wire shelves correctly. Slide the broil or the dripping pan completely between the 2 rails and make sure it is stable before putting a dish on it (Please see the following figure).



8 TROUBLESHOOTING

DANGER:

Risk of electric shock, short circuit or fire by unprofessional repairs!

Repairs on the appliance must be carried out by an approved service centre.

Normal operating conditions

- Smoke and smell may emit for a couple of hours during the first operation.
- It is normal that steam escapes during operation.
- When the metal parts are heated, they may expand and cause noise.

Before you call the service, please check the following points

Electrical equipment

Malfunction/problem	Possible cause	Advice/remedy
The appliance does not work.	The mains fuse is defective or has tripped.	Check fuses in the fuse box. If necessary, replace or reset them.
	Appliance's plug can not be connected to the grounded socket.	Check the plug connection.
	Timer buttons do not work.	Keylock may be enabled. Please disable it(See; How to use the program lock,
Oven light does not work	Oven lamp is defective.	Replace oven lamp.
	No current.	Check fuses in the fuse box. If necessary, replace or reset them.
Oven does not heat.	Function knob and/thermostat knob are not set.	Set function knob and thermostat knob.
	If the appliance has a timer, the timer may not be set.	Set the time.
	No power.	Check main power supply and fuse box.

Clock/ timer (If the appliance has a digital timer)

Malfunction/problem	Possible cause	Advice/remedy
Clock display is blinking or clock symbol is on.	Power was interrupted previously.	Set timer. Then switch the oven off with function knobs, set the oven function again.

If the problem has not been solved:

1. Separate unit from the mains supply (deactivate or unscrew fuse).
2. Call the after-sales service of your store reseller.

IMPORTANT:

Do not attempt to repair the appliance yourself. There are no customer service items inside the appliance.

9 WARRANTY STATEMENT for Blomberg

electric and gas ranges

The warranties provided by Blomberg in these statements only apply to Blomberg electric and gas ranges sold to the original purchaser or homeowner in the US and Canada. This warranty is not transferable.

To obtain warranty service, please contact our nearest distributor as listed by state or call 1800-459-9848. You will need your electric or gas range model number, serial number, retailer name and address, where purchased and purchase date / installation date.

This warranty gives you specific legal rights, and you may also have other rights which vary from state to state.

All warranties stated below are based upon normal household use. **The use of the product in a commercial setting will void all warranties.**

Service must also be performed by an authorized Blomberg Service Agency.

Cosmetic defects must be reported within 10 business days from installation

1 year * limited warranty from date of first installation Blomberg will repair or replace at no cost to the consumer any defective parts of the electric and gas ranges and the labor incurred.

2 year * ++ limited warranty from date of first installation (Parts only) Blomberg will repair or replace any parts at no cost to the consumer if material defects or workmanship have caused the damage or failure of these components. Labor charges are the responsibility of the consumer

2-5 year * ++ limited warranty from date of first installation (Parts only) Blomberg will repair or replace oven cavity at no cost to the consumer if material defects or workmanship have caused the damage or failure of these components.

Labor charges are the responsibility of the consumer

Disclaimers of warranties and exclusions:

Warranty does not cover service costs by an authorized service agent to correct installation, electrical problems or educational instruction on the use of the electric and gas ranges. The warranty also does not cover defects or damage caused by an act of god (such as storms, floods, fires, mudslides, etc.), damage cause by use of the electric and gas ranges for purposes other than those for which it was designed, misuse, abuse, accident, alteration, improper installation, maintenance, travel fees, service calls outside normal service hours, unauthorized service work or work.

This product is fully tested and went through official quality assurance inspections before leaving the original manufacturing site.

Warranty terms for this Blomberg household appliance is not valid if the product is altered, tampered, modified, additional parts assembled, fixed and repacked by an authorized distributor, servicer, a third party retailer, reseller or by any other unauthorized person(s).

TO THE EXTENT PERMITTED BY LAW, THIS WARRANTY IS IN LIEU OF ALL OTHER EXPRESSED AND IMPLIED WARRANTIES, INCLUDING THE IMPLIED WARRANTIES OF MERCHANTABILITY AND FITNESS FOR A PARTICULAR PURPOSE. BLOMBERG UNDERTAKES NO RESPONSIBILITY FOR THE QUALITY OF THIS PRODUCT EXCEPT AS OTHERWISE PROVIDED IN THIS WARRANTY STATEMENT. BLOMBERG ASSUMES NO RESPONSIBILITY THAT THE PRODUCT WILL BE FIT FOR ANY PARTICULAR PURPOSE FOR WHICH YOU MAY BE BUYING THIS PRODUCT, EXCEPT AS OTHERWISE PROVIDED IN THIS WARRANTY STATEMENT.

Blomberg does not assume any responsibility for incidental or consequential damages. Such damages include, but are not limited to, loss of profits, loss of savings or revenue, loss of use of the cooker or any associated equipment, cost of capital, cost of any substitute equipment, facilities or services, downtime, the claims of third parties, and injury to property. Some states do not allow the exclusion or limitation of incidental or consequential damages, so the above limitations or exclusion may not apply to you.

* Installation date shall refer to either purchase date or 5 business days after delivery of the product to the home, whichever is later.

++Parts replaced will assume the identity of the original parts and their original warranty.

No Other Warranties. This Warranty Statement is the complete and exclusive warranty from the manufacturer. No employee of Blomberg or any other party is authorized to make any warranty statements in addition to those made in this Warranty Statement.

Please keep this warranty card, user manual and your sales slip for future reference.

HOW TO GET SERVICE

Please contact the Distributor for your State or Province as listed on the Distributor Contact List, or call our Toll Free Number at 1 800 459 9848 for direction to an Authorized Blomberg Service Agent. 02 01



AVERTISSEMENT Si l'information de ce manuel n'est pas suivie exactement, un feu ou une explosion peut en résulter, causant des dommages à la propriété, des blessures personnelles ou la mort.



AVERTISSEMENT

Danger de basculer

"Un enfant ou un adulte peut faire basculer l'appareil et être tué.

Installer le dispositif anti-basculement emballé avec l'échelle à la structure murale ou de plancher"

"Engage l'échelle au dispositif anti-basculement en glissant l'échelle pour que le pied arrière de l'échelle glisse dans le support tel qu'illustré dans les figures 2 et 3."

"Réengager le dispositif anti-basculement si l'appareil a été bougé.

Installer le dispositif anti-basculement fourni avec l'appareil.

Voir les instructions d'installation.

"Un manquement à suivre ces instructions peuvent résulter dans la mort ou dans de sérieuses brûlures aux enfants ou aux adultes."



Ne pas faire fonctionner l'appareil sans un dispositif anti-basculement en place et enclenché.

Après une installation prudente, agripper le derrière de l'appareil pour vous assurer que le support anti-basculement est enclenché au pied arrière de l'appareil."

Cet appareil est destiné à une utilisation domestique normale seulement. Ce n'est pas approuvé pour l'extérieur ou tout autre utilisation non-domestique (incluant les vaisseaux de mer ou des airs.) Voir la Déclaration de Garantie Limitée. Pour toute question, contacter le fabricant.

Ne pas réparer ou remplacer toute pièce de l'appareil sauf si c'est recommandé spécifiquement dans ce manuel. Référez tout service à une usine de centre de service autorisé.

Explications des symboles

Les symboles suivants sont utilisés dans ce Manuel de l'utilisateur:



Information importante ou conseils utiles concernant l'utilisation.



Avertissements concernant des situations dangereuses à l'égard de la

vie ou de la propriété.



Avertissement concernant les chocs électriques.



Avertissement concernant les risques de feu.



Avertissement concernant les surfaces chaudes.



Veillez lire ces instructions avant l'installation ou l'utilisation de votre appareil!

Cher Consommateur,

Nous aimerions que vous obteniez la meilleure performance de votre produit qui a été manufacturé dans des installations modernes et passé à travers des procédures strictes de contrôle de la qualité.

Toutefois, nous vous demandons de lire ce manuel de l'utilisateur soigneusement avant d'utiliser votre produit et gardez-le comme référence future. Si vous donnez ce produit à quelqu'un d'autre, donnez-lui le manuel de l'utilisateur également.

Le manuel de l'utilisateur vous aidera à utiliser le produit d'une manière rapide et sécuritaire.



IMPORTANT:

Sauvegarder ces instructions pour l'utilisation par des inspecteurs en électricité locaux.

Les inspections vous aideront à faire fonctionner l'appareil rapidement et sécuritairement.

- Lors de la livraison, vérifier que l'appareil n'est pas endommagé. Si vous notez tout dommage de transport, veuillez contacter votre point de vente immédiatement et ne connectez pas ni ne faites pas fonctionner l'appareil!
- Avant que vous ne connectiez et fassiez fonctionner l'appareil, veuillez lire ce manuel et tous les documents inclus. Veuillez prendre note en particulier de ces instructions de sécurité.
- Gardez tous les documents auxquels vous pouvez vous référer encore dans le futur. Veuillez garder votre reçu pour toutes réparations qui pourraient être requises durant la garantie.
- Lorsque vous donnez votre appareil à une autre personne, veuillez lui fournir tous les documents inclus lors de la date d'achat originale. La garantie n'est plus valide si le produit est vendu de seconde main.
- Si vous décidez de ne plus utiliser cet appareil (ou décidez de subsituer un modèle plus ancien), avant de disposer de celui-ci, il est recommandé de le rendre inopérant de manière appropriée en accord avec les règlements de protection environnementaux et sanitaires, en vous assurant en particulier que toutes les pièces potentiellement dangereuses sont devenues inoffensives, spécialement par rapport aux enfants qui pourraient jouer avec les vieux appareils. Enlever la porte et le tiroir réchaud avant l'évacuation pour prévenir le piégage.

Table des Matières

1 INSTRUCTIONS IMPORTANTES	5	5 COMMENT FAIRE FONCTIONNER LE FOUR	28
Instructions de sécurité de base	5	Information générale sur la cuisson, le rôtissage et le brunissage	28
Sécurité pour les enfants	8	Conseils pour la cuisson	28
Sécurité lors du travail avec l'électricité	9	Conseils pour le rôtissage	28
Utilisation prévue	10	Conseils pour le brunissage	28
Destruction	10	Comment utiliser le four électrique	28
Matériel d'emballage	10	Choisir la température et le mode d'opération	28
Transport futur	10	Éteindre le four électrique	28
2 INSTALLATION	12	Table des temps de cuisson	31
Installation et connexion	12	Comment manipuler le brunissage	32
Dégagement et Dimensions	12	Table des temps de cuisson pour le brunissage	32
Notes importantes au consommateur	12	6 ENTRETIEN ET SOIN	33
Notes importantes à l'installateur	15	Information générale	33
Instructions pour l'installation du dispositif anti-basculement	16	Comment nettoyer le brûleur/la plaque	33
Connexion à l'alimentation principale	17	Nettoyage du panneau de contrôle	33
Fournir la connexion électrique	17	Nettoyage du four	33
Accès au Bloc Terminal	18	Enlèvement de la porte du four	34
Connexions de l'alimentation	19	Remplacer la lampe du four	34
Cordon d'Alimentation	19	7 INFORMATION GÉNÉRALE	36
Installation du conduit	20	Survol	36
Dosselret	22	Données techniques	37
3 PRÉPARATION	23	Brûleurs- BERU 24200 SS	37
Conseils pour sauver de l'énergie	23	Accessoires fournis avec l'unité	37
Manipulation initiale	23	8 DÉPANNAGE	39
Premier nettoyage de l'appareil	23	9 DÉCLARATION DE GARANTIE pour les produits électriques et au gaz Blomberg	40
Chauffage initial	24		
4 COMMENT UTILISER LA PLAQUE	25		
Information générale de cuisson	25		
Trucs pour un brûleur/plaque en verre céramique	25		
Comment utiliser le brûleur/les plaques	26		
Allumer la plaque	27		
Éteindre la plaque	27		

1 INSTRUCTIONS IMPORTANTES

Instructions de sécurité de base

- Cet appareil n'est pas destiné pour une utilisation par des personnes (incluant les enfants) avec des capacités physiques, sensibles ou mentales réduites, ou un manque d'expérience et de connaissances, sauf s'i elles sont sous la supervision ou en instruction concernant l'utilisation de l'appareil par une personne responsable de leur sécurité.
Les enfants devraient être supervisés pour s'assurer qu'ils ne jouent pas avec l'appareil.
- Installation adéquate - Vous assurer que votre appareil est installé correctement et mis à la terre par un électricien qualifié.
- Ne jamais utiliser votre appareil pour réchauffer ou chauffer la pièce.
- Porter le vêtement approprié: des garnitures amples ou suspendues ne devraient jamais être portés lorsque vous utilisez l'appareil.
- Service de l'Utilisateur - Ne pas réparer ou remplacer toute pièce de l'appareil sauf si c'est recommandé spécifiquement dans ce manuel. Tous les autres travaux de service devraient être référés à un électricien qualifié.
- Utiliser la grosseur de pan adéquate - cet appareil est équipé avec une ou plusieurs unités de surface de différentes grandeurs. Choisir des ustensiles que ont un fond plat assez large pour couvrir la surface de l'élément chauffant. L'utilisation d'ustensiles sous-dimensionnés exposera une partie de l'élément chauffant au contact direct et peut faire enflammer les vêtements. Un contact approprié entre l'ustensile et le brûleur améliorera également l'efficacité.
- Ne jamais laisser les unités de surface sans surveillance à de hautes températures -- le sur-bouillement cause de la fumée et des retombées graisseuses qui peuvent s'enflammer.
- Des doublures protectives-- ne pas utiliser de papier d'aluminium pour protéger le fond du four, excepté lorsque suggéré dans le manuel. Une installation incorrecte de ces doublures peuvent provoquer un risque de choc électrique ou le feu.
- Des ustensiles de cuisson vitrés- seulement certaines sortes de verre, verre/

- céramique, céramique, faïence ou autres ustensiles en verre sont souhaitables dans une gamme supérieure sans qu'ils brisent à cause d'un changement subit de température.
- Les poignées des ustensiles devraient être tournées vers l'intérieur et non étendues par-dessus les unités de surface adjacentes - pour réduire les risques de brûlures, d'enflammer les matériaux inflammables, et le déversement dû à un contact non-intentionnel avec l'ustensile, les poignées des ustensiles devraient être positionnées afin d'être tournées vers l'intérieur et ne pas être étendues par-dessus les unités de surface adjacentes
 - Utiliser avec précaution lors de l'ouverture de la porte- laisser l'air chaud ou la vapeur s'échapper avant de sortir ou de replacer la nourriture.
 - Placement des tablettes du four- toujours placer les tablettes du four à la position désirée lorsque le four est froid. Si la tablette doit être déplacée lorsque le four est chaud, ne pas permettre aux mitaines d'entrer en contact avec l'élément chauffant dans le four.
 - Utiliser seulement des mitaines sèches - des mitaines humides ou mouillées sur les surfaces chaudes peuvent provoquer des brûlures provenant de la vapeur. Ne pas laisser les mitaines toucher aux éléments chauffants chauds. Ne pas utiliser une serviette ou d'autres linges volumineux.
 - Ne pas cuire sur une surface de cuisson rompue- si la surface de cuisson serait brisée, des solutions de nettoyage et des déversements pourraient pénétrer dans la surface de cuisson rompue et créer un risque de choc électrique. Contacter un électricien qualifié immédiatement.
 - **Nettoyer la surface de cuisson avec précaution** - si une éponge humide ou un linge est utilisé pour nettoyer les ronds sur la surface de cuisson chaude, prendre garde d'éviter une brûlure par la vapeur. Plusieurs nettoyeurs peuvent produire des fumées toxiques lorsqu'appliqués sur une surface chaude.
 - **"Ne pas toucher aux unités de surface ou aux surfaces près des unités** - Les unités de surface peuvent être chaudes même si leur couleur est foncée. Les

surfaces près des unités de surface peuvent devenir assez chaudes pour causer des brûlures. Pendant et après l'utilisation, ne pas toucher, ou laisser les vêtements ou autres matériaux inflammables en contact avec les unités de surface ou les surfaces près des unités à moins qu'il y ait eu un temps suffisant pour refroidir. Parmi ces surfaces sont la surface de cuisson et les surfaces faisant face à la surface de cuisson."

- **"Ne pas toucher aux unités de surface ou aux surfaces près des unités**
- Les unités de surface pourraient être chaudes même si leur couleur est foncée. Les surfaces intérieures d'un four deviennent assez chaudes pour causer des brûlures. Pendant et après l'utilisation, ne pas toucher, ou laisser les vêtements ou autres matériaux inflammables en contact avec les unités chauffantes ou les surfaces intérieures du four à moins qu'il y ait eu un temps suffisant de refroidissement. Les autres surfaces de l'appareil peuvent devenir assez chaudes pour causer des brûlures - parmi ces surfaces sont les ouvertures pour la ventilation du four et les surfaces près de ces

ouvertures, les surfaces intérieures de la cavité du four, les portes du four et la fenêtre."

- Ne jamais utiliser lorsque le jugement ou la coordination sont déficients par l'utilisation d'alcool et/ou de drogues.
- Ne pas utiliser l'appareil s'il est défectueux ou montre tout dommage visible.
- Soyez vigilants lors de l'utilisation de boissons alcooliques dans votre vaisselle. L'alcool s'évapore à de hautes températures et peut causer un feu lorsqu'il attrapera le feu en entrant en contact avec les surfaces chaudes.
- Ne pas cahuffer les contenants de nourriture fermés et les pots de verre. La pression peut augmenter dans le pot et peut causer un éclatement.
- Ne pas utiliser le four comme endroit d'entreposage. Les items placés dans le four peuvent prendre feu.
- L'entreposage dans ou sur l'appareil - Les matériaux inflammables ne doivent pas être entreposés dans le four ou près des unités de surface.
- **Risque de Feu!** Ne pas entreposer de matériel

inflammable dans le four et/ ou dans le tiroir-réchaud.

- Garder la surface de l'appareil propre et libre de tous matériaux combustibles, de gazoline, et autres vapeurs inflammables.
- **Ne pas utiliser d'eau sur les feux de graisse.** Étouffer le feu ou la flamme en utilisant un extincteur chimique sec ou de type mousse.
- Ne pas utiliser le four pour sécher les journaux. S'ils sont surchauffés, ils peuvent prendre feu.
- Ne pas laisser des produits en papier, des ustensiles de cuisson ou de la nourriture dans le four lorsqu'il n'est pas utilisé.
- Ne pas laisser de plats ou de pans vides sur les plaques lorsqu'elles sont mises en marche. Ils pourraient être endommagés.
- Parce qu'elle peut être chaude, ne pas laisser de vaisselle de plastique ou d'aluminium sur la surface de l'appareil. Ces sortes de vaisselle ne devrait pas être utilisées pour garder la nourriture non plus.
- Ne pas placer de plaques de cuisson, de vaisselle ou de papier d'aluminium directement dans le fond du four. L'accumulation de

chaleur peut causer des dommages au fond du four.

- Garder toutes les fentes de ventilation libres d'obstructions.
- Le fabricant décline toute responsabilité pour des blessures aux personnes ou des dommages à la propriété causés par un usage impropre ou incorrect de l'appareil.
- Ne pas utiliser le four avec le verre de la porte de devant enlevé ou brisé.
- Vérifier que tous les contrôles de l'appareil sont éteints après usage.

IMPORTANT:

Appeler le service autorisé pour l'installation de l'appareil avant qu'il soit utilisé. Après cette procédure, la période de garantie débutera.

Sécurité pour les enfants

AVERTISSEMENT:

Marcher, se pencher ou s'asseoir sur la porte ou les tiroirs de cette gamme peut causer de sérieuses blessures et aussi peut causer du dommage à cette gamme. Ne pas permettre aux enfants de grimper ou de jouer autour de cette gamme. Le poids de l'enfant sur une porte ouverte peut provoquer le basculement

de l'appareil, résultant en de sérieuses brûlures ou d'autres blessures.

- Ne pas laisser les enfants seuls -- les enfants ne devraient pas être laissés seuls ou sans surveillance dans un endroit où l'appareil est en utilisation. Ils ne devraient jamais avoir la permission de s'asseoir ou de se tenir sur n'importe quelle partie de cet appareil.

PRÉCAUTIONS:

Ne pas entreposer des items d'intérêt pour les enfants dans les armoires au-dessus de l'appareil ou sur l'arrière de l'appareil - les enfants grimant sur l'appareil pour aller chercher ces items pourraient être sérieusement blessés.

- Les pièces accessibles peuvent être chaudes lorsque le gril est en usage. Les jeunes enfants devraient être gardés éloignés.
- Les matériaux d'emballage peuvent être dangereux pour les enfants. Garder les matériaux d'emballage loin des enfants. Veuillez disposer de toutes les parties de l'emballage selon les dispositifs environnementaux.

AVERTISSEMENT:

Un enfant ou un adulte peut faire basculer l'échelle et être tué.

Vérifier que le système anti-basculement a été correctement installé au plancher ou au mur et que le pied arrière de l'échelle est engagé dans le support tel qu'illustré dans les instructions des illustrations.

Vous assurer que le dispositif anti-basculement est ré-engagé lorsque l'échelle est déplacée en vous assurant que le pied est engagé dans le dispositif anti-basculement.

Ne pas utiliser l'échelle sans que le dispositif anti-basculement ne soit en place et engagé.

Sécurité lors du travail avec l'électricité

- Tout travail avec de l'équipement et les systèmes électriques peut être réalisé par des personnes qualifiées autorisées.
- En cas de tout dommage, éteindre l'appareil et le déconnecter du contrôle principal en enlevant le fusible ou en éteignant le disjoncteur.
- Vous assurer que la force du fusible est correcte.
- Ne pas utiliser l'appareil les pieds nus.
- Ne jamais toucher ; a l'appareil avec les mains ou

les pieds humides.

- Ne pas mouiller les éléments chauffants enlevables. Les éléments chauffants ne devraient jamais être immergés dans l'eau.

Utilisation prévue

Cet appareil est prévu pour un usage domestique seulement. Une utilisation commerciale n'est pas admissible.

Cet appareil n'est pas prévu pour être utilisé dans des maisons mobiles ou véhicules récréatifs.

Cet appareil ne devrait pas être utilisé pour réchauffer les plaques sous le gril, pour les serviettes suspendues et linge de vaisselle sur les poignées, pour des usages de séchage et de chauffage de l'espace.

Toutes les ouvertures sur le mur derrière l'appareil et dans le plancher sous l'appareil doivent être scellées.

Le fabricant ne peut être tenu responsable pour tout dommage causé par une utilisation impropre ou des erreurs de manipulation.

L'appareil peut être utilisé pour décongeler, cuire rôti et griller la nourriture.

Destruction

Matériel d'emballage

⚠ DANGER: Il y a des risques de suffocation par le matériel d'emballage!

Les éléments d'emballage (c.a.d. sacs de plastique, mousse en polystyrène, clous, courroies d'emballage) ne devraient pas être laissés facilement à la portée des enfants, car ils peuvent causer des blessures sérieuses.

Le matériel d'emballage et les serrures de transport sont faits de matériaux qui ne sont pas nuisibles pour l'environnement. Veuillez disposer de toutes les parties de l'emballage selon les dispositifs environnementaux. C'est bénéfique pour l'environnement.

Transport futur

N'exécutez pas d'opérations de nettoyage ou de maintenance sur l'appareil sans l'avoir auparavant déconnecté de l'alimentation électrique.

ⓘ PRÉ-AVIS: Ne placez pas d'autres items sur le dessus de l'appareil. L'appareil doit être transporté à la verticale.

Entreposez la boîte originale de l'appareil et transportez l'appareil dans son carton original. Suivre les marques

d'orientation qui sont imprimées sur le carton.

i IMPORTANT:

Vérifier l'apparence générale de votre équipement en identifiant les dommages possibles durant le transport.

Pour prévenir que des dommages soient causés à la porte du four par la tablette en fil et le bac à l'intérieur du four, placer un bande de carton à l'intérieur de la porte du four en ligne avec la position des bacs. Bander la porte du four aux murs de côté.

Si vous n'avez pas le carton original

Emballer l'appareil dans un emballage à bulles ou du carton mince et le bander sécuritairement afin de prévenir tout dommage durant le transport.

2 INSTALLATION

Le plancher de la cuisine doit être capable de supporter le poids de l'appareil plus le poids additionnel des ustensiles de cuisson, des plats et la nourriture.

- Si un capot pour l'appareil doit être installé, référer aux instructions du fabricant sur la façon de fixer le poids.
- Toute fourniture de cuisine près de l'appareil doit être résistante à la chaleur (212 °F min.)

Installation et connexion

i IMPORTANT: Ne pas installer l'appareil près des réfrigérateurs ou des congélateurs. La chaleur émise par l'appareil entraînera une consommation croissante d'énergie des appareils de réfrigération.

- Pour l'installation, l'appareil doit être connecté en accord avec les règlements électriques locaux.

i IMPORTANT: L'unité est

lourde et requiert au moins deux personnes ou un équipement adéquat pour le déménager.

i PRÉ-AVIS

Domage matériel

La porte et/ou la poignée ne doivent pas être utilisées pour lever ou bouger l'appareil.

- L'appareil doit être placé directement sur le plancher. Il ne doit pas être placé sur une base ou un piedestal.

Dégagement et Dimensions

Les dimensions qui sont montrées dans les figures 1 et 1A doivent être utilisées.

Les dimensions données fournissent le dégagement minimal. Il doit y avoir un minimum de 30 pouces de dégagement entre le dessus de la surface de cuisson et le fond du bois non-protégé ou le cabinet de métal ou un minimum de 24 pouces lorsque le fond des cabinets de bois ou de métal sont protégés mais pas moins de 1/4 de pouce de carton de retardement de la flamme avec une feuille d'acier d'au moins 29 mcg, 0.015 pouce d'acier inoxydable, 0.024 pouces d'aluminium ou 0.020 pouce de cuivre.

Pour éliminer les risques de brûlures ou de feu en parvenant aux unités surchauffées, les espaces de rangement dans l'armoire localisées sous les unités de surface devraient être évités. Si une armoire d'entreposage doit être fournie, le risque peut être réduit en installant un capot de la gamme qui propulse horizontalement un minimum de 5 pouces au-delà du fond des armoires.

Notes importantes au consommateur

Garder ce manuel pour référence future.

- Lorsque vous utilisez tout appareil générant de la chaleur, il y a certaines précautions que vous devriez suivre. Ils sont inscrits au début de ce manuel. Lire et suivre attentivement.
- Vous assurer que cet appareil est installé et mis à la terre correctement par un installateur qualifié ou un technicien de service.
- Pour éliminer la nécessité d'atteindre le dessus de la cuisinière l'espace dans l'armoire de rangement située au-dessus de la cuisinière devrait être évité.

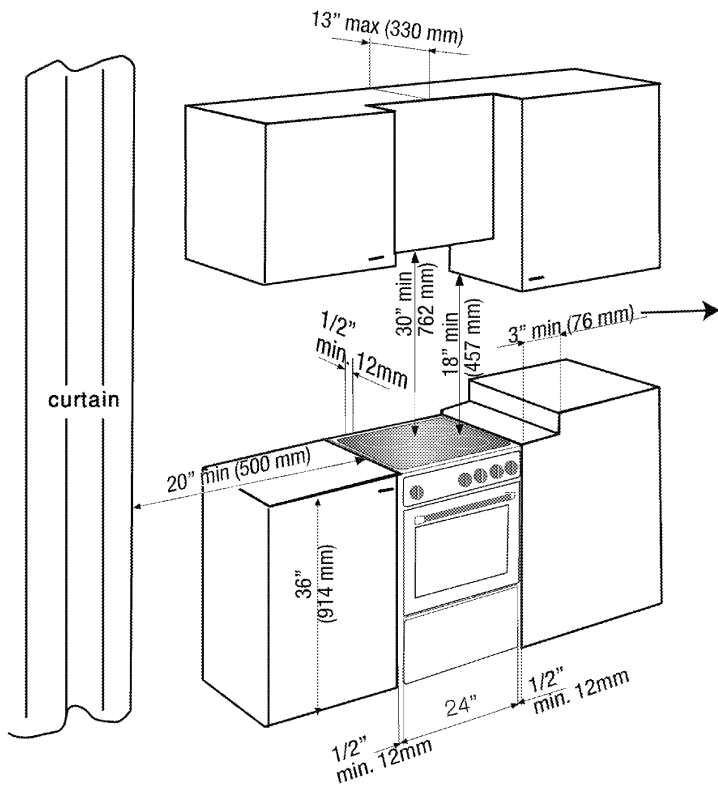
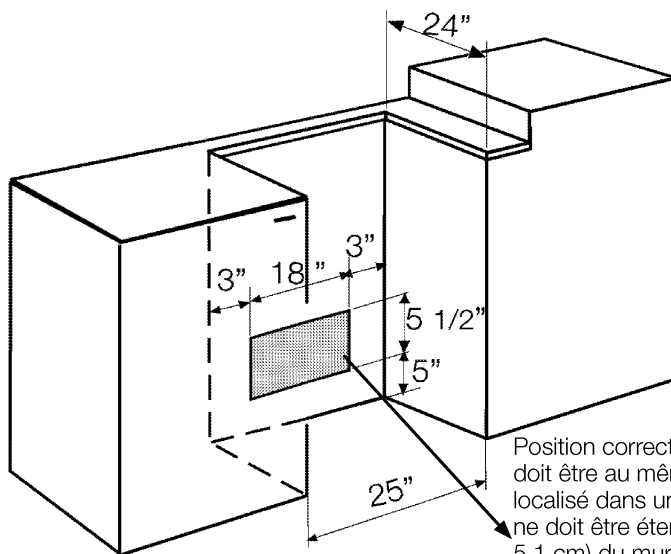
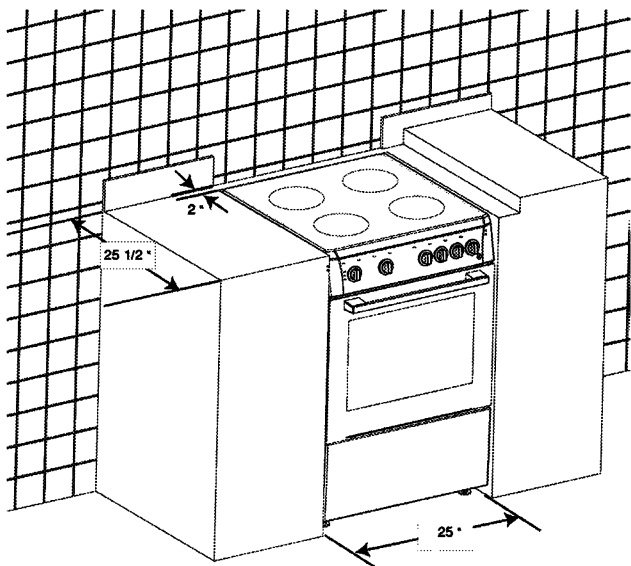


Fig. 1

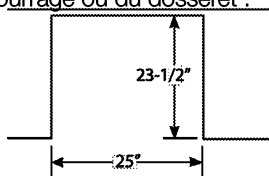


Position correcte de la sortie doit être au même niveau. Rien localisé dans un espace ombragé ne doit être étendu à plus de 2 " (5,1 cm) du mur ou la gamme ne glissera pas jusqu'au fond.

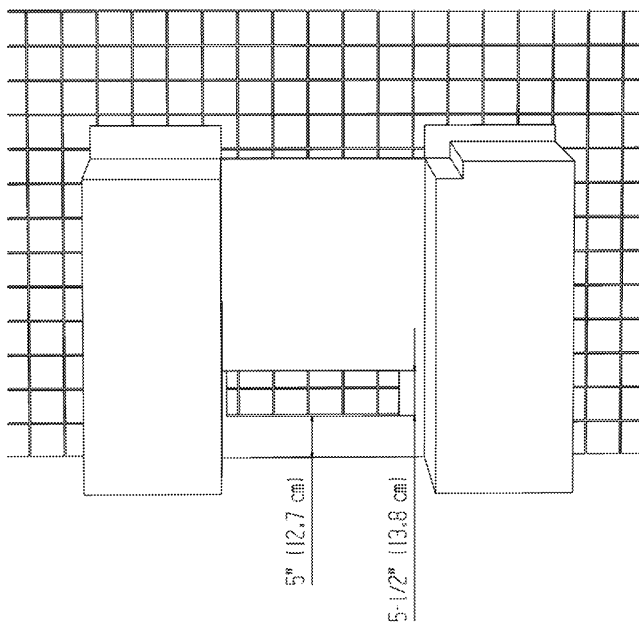
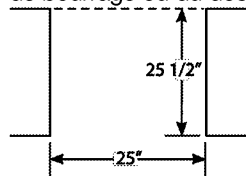
Fig. 1-A



En cas de NON utilisation de la bande de bourrage ou du dossieret :



En cas d'utilisation de la bande de bourrage ou du dossieret :



Notes importantes à l'installateur

Lire le manuel avant d'installer l'appareil.

Observer tous les codes gouvernementaux et les ordonnances.

Vous assurer de laisser ces instructions au consommateur.

Vous assurer que cet appareil est installé et mis à la terre correctement par un installateur qualifié ou un technicien de service.

i IMPORTANT: Avant

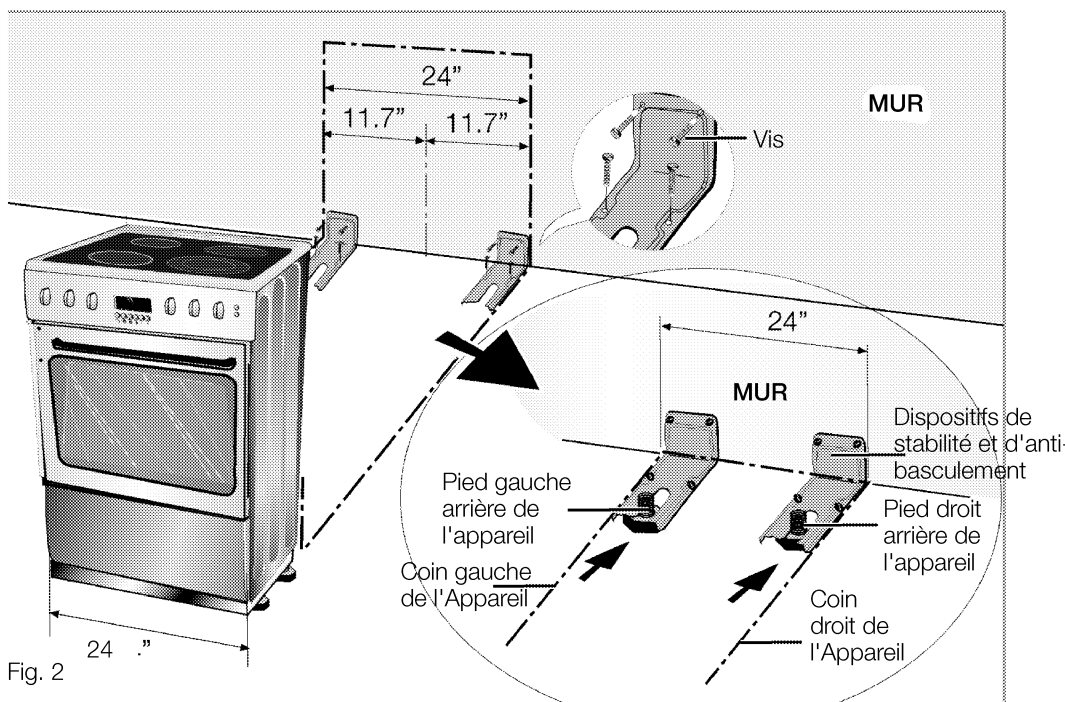
l'installation de l'appareil dans un endroit couvert avec du linoléum ou tout autre protection de plancher, vous assurer que la protection de plancher peut résister à la chaleur d'au moins 90°F (32.2°C) au-dessus de la température de la pièce sans se contracter, gauchir ou décolorer.

Ne pas installer l'appareil sur un tapis à moins de placer un coussinet isolé ou une feuille de 1/44 de pouce (0.64 cm) de contreplaqué épais entre l'unité et le tapis

⚠ AVERTISSEMENT:

Tous les appareils peuvent basculer et des blessures aux personnes peuvent en résulter.

- Un enfant ou un adulte peut faire basculer l'échelle et être tué.
- Installer le système anti-basculement emballé avec l'échelle à la structure murale ou au plancher.
- Engage the range to the anti-tip bracket by sliding range so that the rear foot of range into the bracket as shown in figures 2 and 3.
- Ré-Engager le système anti-basculement si l'échelle est déplacée.
- Voir les instructions d'installation ci-dessous.
- Le défaut à suivre ces instructions peut entraîner la mort ou de sérieuses brûlures aux enfants ou aux adultes.



Instructions pour l'installation du dispositif anti-basculement

Il n'y a qu'un dispositif de stabilité anti-basculement inclus avec le produit.

Vous pouvez l'utiliser sur la patte arrière droite ou la patte arrière gauche.

1. Le dispositif anti-basculement doit être attaché au mur arrière ou le plancher tel que démontré sur la figure 3.

La dimension pour la position du support sur le plancher doit être déterminée après que les pattes de l'appareil aient été ajustées à la hauteur d'installation requise démontrée dans les instructions d'installation et que l'appareil ait été mis à niveau.

4. Suite à l'installation, agripper l'arrière de l'appareil prudemment afin de s'assurer que le support anti-basculement soit bien attaché à la patte arrière de l'appareil.



Dangers de Renversement

Un enfant ou un adulte peuvent faire basculer l'appareil et être tué. Connectez le support anti-basculement à la patte arrière de l'appareil. Reconnecter le support anti-basculement si l'appareil est déplacé. Ne pas suivre ces instructions peut résulter en un décès ou des brûlures sévères aux enfants ou adultes.

⚠ DANGER: Danger d'Électrocutions!

- Faire très attention en perçant des trous dans le mur ou le plancher. Il pourrait y avoir des fils électriques derrière le mur ou sous le plancher.
- Trouver le circuit électrique affectées par l'installation de l'appareil anti-basculement puis éteindre ces circuits.

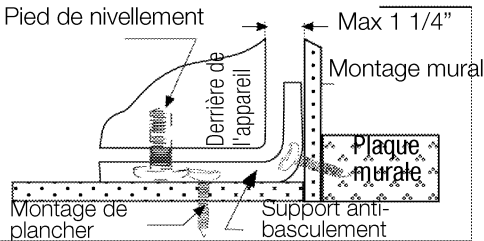
Ne pas suivre ces instructions peut résulter en une électrocution ou autre blessure.

Le California Safe Drinking Water and Toxic Enforcement Act requiert que le gouverneur de la Californie publie une liste des substances causant le cancer, défauts à la naissance, ou tout autre danger à la reproduction connues par l'État de la Californie, et requiert que les entreprises avertissent une exposition potentielle à ces substances.

i IMPORTANT: Ce produit contient un élément chimique reconnu par l'état de la Californie comme étant cancérigène et pouvant causer des défauts à la naissance ou autre défauts reproductifs.

Cet appareil peut causer une exposition légère aux substances sus-mentionnées, incluant du benzène, du formaldéhyde, du monoxyde de carbone et du toluène.

Support rapide (mur ou montage de plancher)



Support rapide (Montage de plancher seulement)

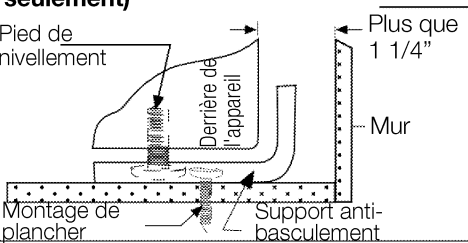


Fig. 3

2. Repérer le dispositif anti-basculement sur le mur à la dimension mesurée par rapport à l'endroit où il doit se trouver sur le côté gauche de l'appareil.

3. Glisser l'appareil en place en s'assurant que le dispositif anti-basculement embarque la patte à l'arrière de l'appareil.

Connexion à l'alimentation principale

DANGER: Risques d'Électrocution!

Avant de débiter le travail sur l'installation électrique, le courant électrique de l'appareil doit être éteint pendant que l'on fait les connexions de lignes.

Ne pas suivre ces instructions peut résulter en décès, feu ou électrocution.

 **IMPORTANT:** L'installation électrique doit être conforme aux codes locaux et nationaux.

Fournir la connexion électrique

Installez la boîte de jonction sous le cabinet et connectez un fil électrique de 120/240 ou 120/208 Volt à partir du panneau principal. NE PAS connecter le fil au panneau de circuit tout de suite.

Exigences Électriques

Cet appareil doit recevoir le bon voltage et la bonne fréquence et doit être connecté à une branche de circuit individuelle correctement mise à la terre, protégée par un fusible ou un disjoncteur. Un disjoncteur ou un fusible sont requis par votre appareil. L'ampérage recommandé du disjoncteur ou fusible pour votre appareil est de 40A ou 50A.

Observer tous les codes gouvernementaux et les ordonnances.

Un support électrique à 3 ou 4 fils de phase simple de 120/240 ou 120/208 Volt et 60 Hz AC seulement est requis sur un circuit séparé fusionné des deux côtés de la ligne (fils rouge et noir). Un fusible ou disjoncteur à délais est recommandé. NE PAS fusionner le neutre (fil blanc).

Pré-avis. La taille et connexion des fils doit se conformer avec la taille du fusible et le classement de l'appareil en accord avec le Code National Électrique Américain ANSI/NFPA No. 70 de l'édition la plus récente.

 **IMPORTANT:** Cet appareil doit être correctement mis à terre pour éviter les dangers d'électrocution!

Notre compagnie ne sera pas tenue responsable des dommages causés par l'appareil sans un réceptacle de mise en terre.

Cet appareil doit être mis en terre conformément avec les codes locaux, ou en leur absence, avec le Code National Électrique ANSI/NFPA No. 70-dernière édition des États-Unis.

L'installation devrait être faite par un électricien certifié.

DANGER: Risques d'électrocution, court circuit ou dommages par le feu dûs à des dommages à l'alimentation principale!

L'alimentation principale ne doit pas être pliée, serrée ou piégée ou mise en contact avec les parties chaudes de l'appareil.

Si l'alimentation principale est endommagée, elle doit être remplacée par un électricien qualifié.

Cet appareil peut être connectée au moyen d'un cablage permanent (cable de cuivre ou aluminium à armure flexible ou non-métallique), ou avec un kit d'alimentation. Seul un kit d'alimentation codé 120/240 volts et 40 ou 50 ampères terminant en conduit étamé et marqué pour usage avec les appareils peut être utilisé. Si une corde de 50 Ampères est utilisée, elle doit être marquée pour usage avec une ouverture de 1 3/8 pouces de diamètre.

La corde doit avoir 3 ou 4 conducteurs pour s'harmoniser au réceptacle électrique (Utiliser un conducteur de cuivre ou d'aluminium).

AVERTISSEMENT:

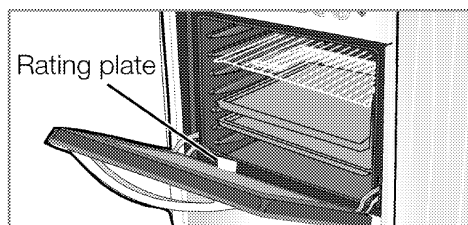
Risques de feu ou d'électrocution si un kit de cordon d'appareil de mauvaise taille est utilisé ou si le manuel d'installation ou le collier de serrage de sont pas utilisés.

AVERTISSEMENT:

Ne pas desserrer les noix qui sécurisent le câblage de la gamme installé en usine au bloc du terminal lorsque l'appareil est connecté. Un manque d'électricité ou une perte de connection électrique peut survenir.

Lorsque Installé là où ce n'est pas permis à la mise à la terre par le biais du neutre, un cordon à 4-conducteurs doit être utilisé ou un assemblage de câble. Voir les instructions du manufacturier.

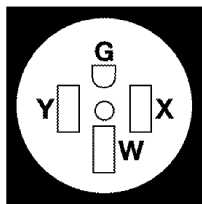
Les données de l'alimentation principale doivent correspondre aux données spécifiées sur la plaque signalétique de l'appareil. La plaque signalétique est d'ailleurs vue lorsque la porte ou le couvercle du bas est ouvert.



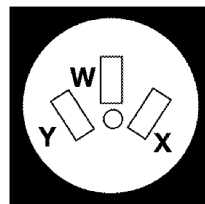
Les réceptacles électriques de mur de type 3-4 fils & l'orientation recommandée du montage sur le mur

La Figure A illustre le réceptacle à 4 fils requis pour une nouvelle installation de la section (1996 NEC) dans les maisons mobiles, ou les véhicules récréatifs ou lorsque les codes locaux ne permettent pas la mise à la terre par le neutre.

La Figure B illustre le réceptacle à 3 fils qui est permis dans les endroits qui permettent la mise à la terre à travers le neutre.



A) Réceptacle mural à 4 fils
(14-50R)



B) Réceptacle mural à 3 fils
(10-50R)

Accès au Bloc Terminal

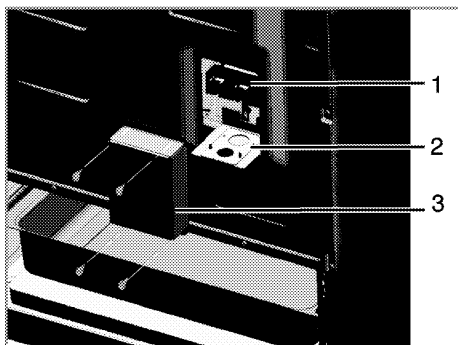


Fig.4

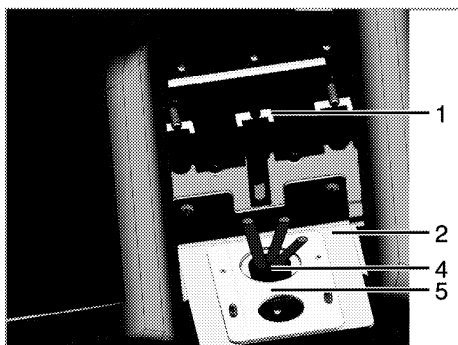


Fig.5

1. Bloc du terminal
2. Cordon d'alimentation / plaque de conduction
3. Couvercle du bloc terminal
4. Cordon d'alimentation ou conduit

5. Support de gamme

Dévisser les vis du couvercle de l'accès arrière et enlever le couvercle du bloc terminal Voir la Figure 4.

Après avoir terminé les connexions, mettre le couvercle du bloc terminal à sa position originale et serrer les vis.

Connexions de l'alimentation


DANGER:

Risques d'Électrocution!

Le Cadre est mis à la terre par le neutre de l'appareil à travers une jonction. Mettre à la terre par un conducteur neutre est interdit pour de nouvelles installations de circuit de dérivation (1996 NEC) dans les maisons mobiles et les véhicules récréatifs, ou dans un endroit où les codes locaux interdisent de mettre à la terre par un conducteur neutre. Pour les installations où la mise à la terre par un conducteur neutre est interdit:

- a- Déconnecter la jonction du neutre;
- b- Utiliser un terminal de mise à la terre ou conduire à l'unité de mise à la terre; et
- c- Connecter le terminal neutre ou conduire le circuit de dérivation neutre de la manière habituelle (lorsque l'appareil doit être connecté en utilisant un ensemble de cordons, utiliser un cordon à 4-conducteurs ou un conduit dans ce but). Voir la Fig. 9

- Ne pas utiliser de cordon d'extension.

 IMPORTANT: Ne pas dévisser les noix des connexions installés en manufacture lesquelles sécurisent le câblage de la gamme vers le bloc terminal. Des coupures électriques ou une perte de la connection électrique peut survenir si ces trois noix sont dévissées ou enlevées.

Cordon d'Alimentation

Installation du réducteur de tension

- 1 - Enlever le couvercle du bloc terminal (sur le redrière de l'appareil) en enlevant les vis tel que montré à la figure 4.

Ne pas jeter les vis.

- 2 - Enlever le cordon d'alimentation/ la plaque de conduction montré à la Figure 5, en enlevant les deux vis qui sécurisent le support de l'appareil.

Pré-avis. retenir cette plaque pour une utilisation future dans le cas où l'appareil déménagera et sera re-connecté.)

- 3 - En utilisant l'ouverture d'un diamètre de 1-3/8 po. insérer le cordon de décharge de traction et le cordon d'alimentation dans l'ouverture et sécuriser la décharge de traction comme montré dans les instructions pour le cordon d'alimentation à la figure 6.

 IMPORTANT: Ne pas installer le cordon d'alimentation sans une décharge de traction

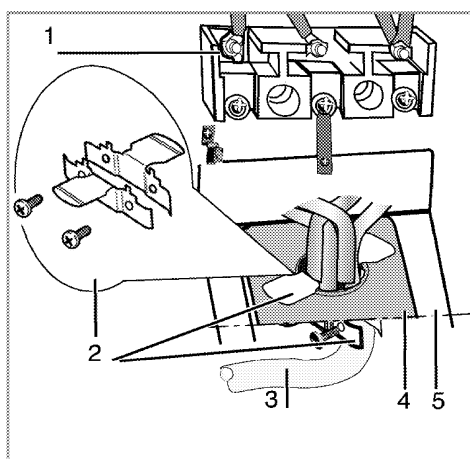


Figure 6

1. Bloc du terminal
2. Décharge de traction
3. Cordon d'Alimentation
4. Plaque de conduction du cordon d'alimentation
5. Support de gamme

Installation du conduit

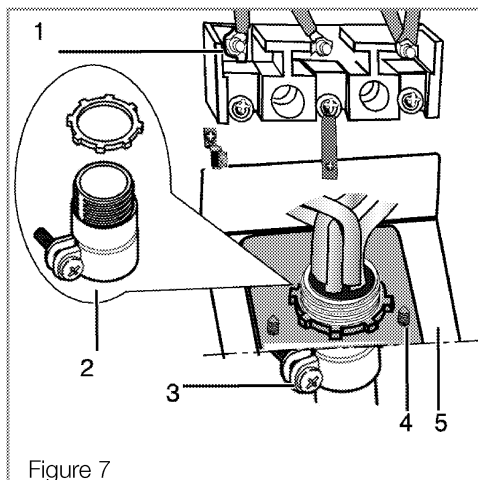
Noter que pour l'installation du conduit, il faut acheter un connecteur de restriction correspondant au diamètre du conduit et l'assembler dans le trou. Insérer le conduit à travers le connecteur de restriction et serrer. Permettre assez de liberté pour facilement attacher les fils du bloc terminal. Un conducteur de conduit sur la liste, peut aussi être utilisé pour cet usage.

- 1- Enlever le couvercle du bloc terminal (sur le derrière de l'appareil) en enlevant les vis tel que montré à la figure 4.

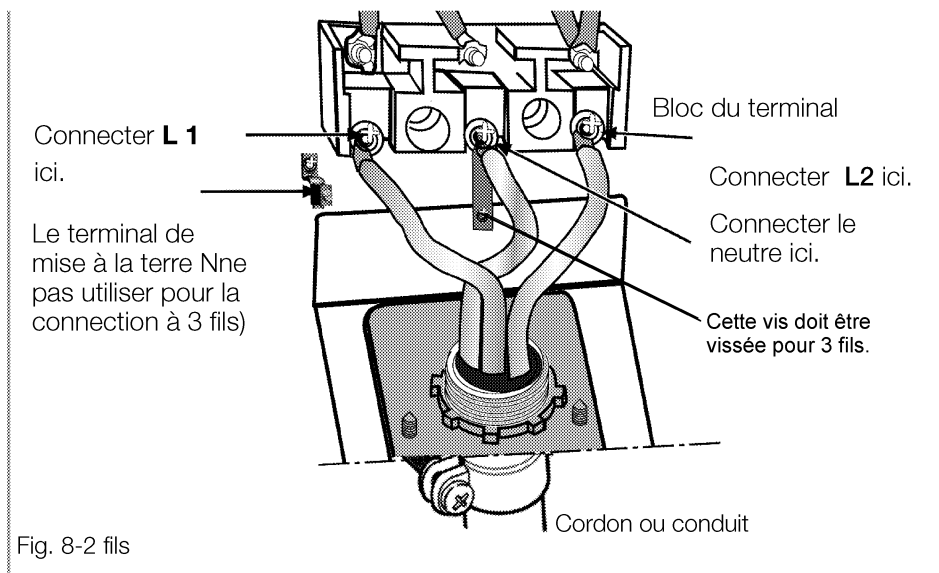
Ne pas jeter les vis.

- 2- Déterminer la grandeur du conduit nécessaire et si besoin, enlever le cordon d'alimentation/la plaque du conduit tel que montré à la Figure 7 et renverser la plaque pour que la bonne grandeur de l'ouverture de la plaque pour votre conduit soit directement au dessus de l'ouverture de 1-3/8 po. du support de l'appareil Figure 5. Sécuriser le cordon d'alimentation/la plaque de conduction en utilisant les mêmes vis que vous avez enlevé pour enlever la plaque.

- 3- Sécuriser le conduit du cordon d'alimentation/plaque de conduction en utilisant un connecteur de conduit sur la liste ou un connecteur de restriction comme montré à la fig. 7
- 4- Voir la Figure 8 pour la connection de courant à 3 fils et la Figure 9 pour la connection à 4 fils.



1. Bloc du terminal
2. Connecteur de restriction
3. Conduction



4. Cordon d'alimentation / plaque de conduction
5. Support de gamme

Pré-avis: Ne pas installer le conduit sans un connecteur de restriction. Le connecteur de restriction devrait être installé avant la réinstallation du couvercle des fils arrière de l'appareil.

Connexions de l'alimentation

Connexion à trois fils:

i IMPORTANT: Le neutre ou fils de mise à la terre ou le cordon d'alimentation doivent être connectés à un terminal neutre localisé au centre du bloc terminal. Les fils d'alimentation doivent être connectés aux terminaux en bas à gauche et à droite du bloc terminal.

- 1- Dévisser la vis du bas de chaque terminal - sur le bloc du terminal.
- 2- Insérer les fils dans le bloc terminal et serrer.

Pré-avis: le terminal de mise à la terre montré dans la figure 8 n'est pas utilisé pour cette installation.

- 3- Replacer le couvercle du bloc terminal.

Connexion à quatre fils:

i IMPORTANT: Le fils neutre du circuit d'alimentation doit être connecté au bloc terminal neutre localisé au centre du bloc terminal. Les fils d'alimentation doivent être connectés en bas à droite et à gauche des terminaux du bloc terminal. Le fil de mise à la terre doit être connecté au tenon de cuivre de mise à la terre tel que montré dans la figure 9 ci-dessus.

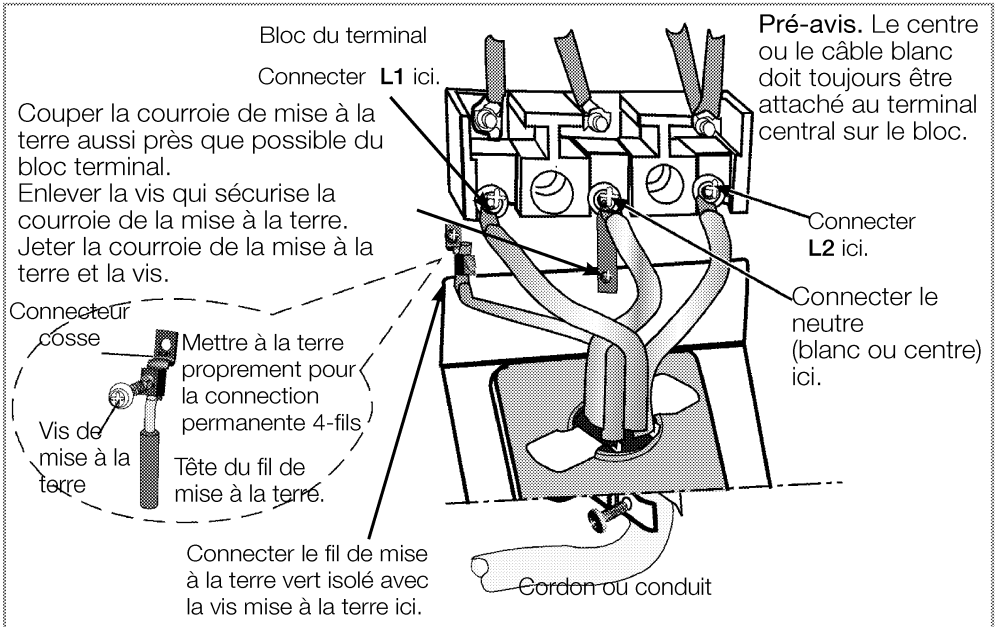


Fig. 9- 4 fil

1- Dévisser les vis du bas du terminal du bloc terminal. Enlever la vis qui sécurise la courroie de la mise à la terre et couper la courroie de la mise à la terre du bloc terminal et jeter la courroie.

2- Insérer les fils d'alimentation et le fil neutre dans le bloc terminal tel qu'indiqué ci-dessus et serrer le vis.

3- Insérer le fil de la mise à la terre du contrôle d'alimentation dans le tenon de la mise à la terre en cuivre tel que montré dans la figure ci-dessous. Serrer les vis.

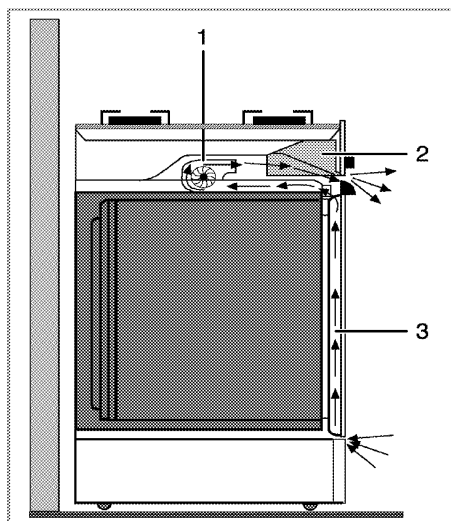
4- Replacer le couvercle du bloc terminal.

- Pour aligner l'appareil avec le plan de travail, ajuster les pieds en tournant la poignée droite ou gauche tel que requis.

Pour les produits avec un ventilateur de refroidissement

Le ventilateur de refroidissement refroidit le produit dans le cabinet et le devant du produit.

i Le ventilateur de refroidissement continue à marcher pour environ 20-30 minutes après que le four soit éteint.



1. Ventilateur de refroidissement

2. Panneau de contrôle

3. Porte

3 PRÉPARATION

Conseils pour sauver de l'énergie

Les conseils suivants vous aideront à utiliser cet appareil d'une façon écologique et pour sauver de l'énergie.

- Utiliser des tablettes foncées colorées et protégées par de l'émail afin que la transmission de chaleur soit meilleure.
- En cuisant vos viandes, effectuez une opération de pré-chauffage si c'est demandé dans le manuel de l'utilisateur ou les instructions de chauffage.
- Durant la cuisson, n'ouvrez pas la porte du four fréquemment.
- Essayer de cuire plus d'une sorte de viande à l'intérieur du four en même temps (Vous pouvez cuire deux différentes viandes en même temps en placant des plats de cuisson sur la même tablette). Il est souhaitable de cuire plus d'une viande après l'autre. Le four sera déjà chaud.
- Dégeler les viandes gelées avant de les cuire.
- Vous pouvez sauver de l'électricité en éteignant votre four quelques minutes avant la fin du temps de cuisson (la porte du four ne devrait pas être ouverte).
- Utiliser des plats/pots avec des couvercles pour la cuisson. Sans un couvercle, la consommation d'énergie peut être quatre fois plus élevée.
- Choisir le brûleur/la plaque qui convient à une casserole. Toujours choisir la bonne grandeur de casserole pour vos viandes. Pour un brûleur/plaque plus large, plus d'énergie est nécessaire.
- Prendre soin d'utiliser une base plate de casserole lorsque vous cuisinez sur des cuisinières électriques.
- Des pots avec un fond égal et épais fournissent une meilleure conduction thermique. Vous pouvez sauver jusqu'à 1/3 d'électricité.

- Les pots et les pans devraient s'harmoniser avec la grandeur des plaques. Le fond du pot ou de la pan ne devrait pas être plus petit que la plaque.
- Garder le fond des plaques et des pots propres. La saleté réduira la transmission de chaleur entre la plaque et les fonds de la pan.
- Lors des temps de cuisson plus longs, éteindre la plaque 5 à 10 minutes avant la fin du temps de cuisson. Lorsque vous utilisez la chaleur résiduelle, vous pouvez sauver jusqu'à 20% d'électricité.

Manipulation initiale

Premier nettoyage de l'appareil.

i IMPORTANT: Lorsque vous enlevez l'appareil pour le nettoyage et/ou le service,

Déconnecter l'alimentation principale AC.

Enlever avec précaution l'appareil en le tirant vers l'extérieur.

L'appareil est lourd, utiliser des précautions en le manipulant.

i NOTICE: La surface peut être endommagée avec des détergents ou des matériaux de nettoyage.

Ne pas utiliser de détergents agressifs, de poudre nettoyante/crème ou tous objets pointus. Être prudent pour éviter les brûlures de vapeur. Plusieurs nettoyeurs peuvent produire des fumées toxiques lorsqu'appliqués sur une surface chaude.

1. Enlever tous les matériaux d'emballage.
2. Essuyer les surfaces de l'appareil avec un limge humidifié ou une éponge et essuyer avec un linge.

Chauffage initial.

 **AVERTISSEMENT:** Des surfaces chaudes peuvent causer des brûlures!

Ne pas toucher aux surfaces chaudes de l'appareil. Utiliser des gants de four. Garder les enfants loin de l'appareil.

 **IMPORTANT:** Des senteurs et de la fumée peuvent être émises durant le premier chauffage. Vous assurer que la pièce est bien ventilée.

Tous les résidus de production ou les couches de condensation doivent être brûlées avant la première utilisation. Chauffer l'appareil durant 30 minutes et alors l'éteindre.

Four Électrique

1. Prendre tous les plateaux et tablettes du four.
2. Fermer la porte du four.
3. Choisir la chaleur de dessus et du fond avec le bouton de fonction.
4. Choisir la plus haute température avec le bouton du thermostat; voir Comment utiliser le four Électrique en page 24.
5. Chauffer environ 30 minutes.
6. Éteindre le four, voir Comment utiliser le four électrique, page 24.

Four de grillage.

1. Prendre tous les plateaux et tablettes du four.
2. Fermer la porte du four.
3. Choisir la plus haute puissance du gril; Voir Comment faire fonctionner le gril, page 29.
4. Chauffer environ 30 minutes.
5. Éteindre le gril; voir Comment faire fonctionner le gril, page 29.

4 COMMENT UTILISER LA PLAQUE

Information générale de cuisson



AVERTISSEMENT:

Risque de feu en surchauffant l'huile!

Lorsque vous chauffez de l'huile, ne le laissez pas sans surveillance.

Ne jamais essayer d'éteindre le feu avec de l'eau. Lorsque l'huile a causé le feu, couvrir immédiatement le plat ou la pan avec un couvercle. Éteindre le brûleur/plaque si c'est sécuritaire de le faire et téléphoner au service d'incendie.

Utiliser seulement des pots ou des pans à fond plat.

- utiliser des pans qui ont une capacité suffisante pour la quantité de nourriture à être cuite aussi, cela ne renversera pas et rendra le nettoyage non-nécessaire.
- Ne pas placer de couvercles sur les brûleurs.
- Toujours placer les pans au centre des brûleurs. Lorsque vous transférez les pans d'un brûleur à un autre, toujours lever les pans, ne pas les glisser.
- Cet appareil est équipé avec une unité de surface ou plus de différente grandeur. Choisir des ustensiles que ont un fond plat assez large pour couvrir la surface de l'élément chauffant. L'utilisation d'ustensiles sous-dimensionnés exposera une partie de l'élément chauffant au contact direct et peut faire enflammer les vêtements. Un contact approprié entre l'ustensile et le brûleur améliorera également l'efficacité.
- Ne jamais laisser des unités de surface sans surveillance à des ajustements de haute température. Un déversement causera de la fumée et des retombées grasses peuvent s'enflammer.
- Vous assurer que les pans réfléchissants les bols de ruissellement sont en place. L'absence de ces pans ou bols durant la cuisson peut exposer le filage ou des composants en-dessous à des

dommages.

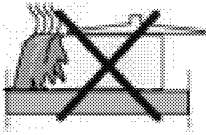
Trucs pour un brûleur/ plaque en verre céramique

- La surface de verre céramique est résistante à la chaleur et insensible aux larges déviations de température.
- Ne pas utiliser le brûleur/plaque en verre céramique pour garder les objets ou comme surface de coupe.

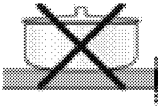
Ne pas cuire de popcorn dans des contenants pré-emballés en aluminium sur le dessus de cuisson. Ils pourraient laisser des marques d'aluminium qui ne pourront pas s'enlever complètement.

- Utiliser des pots ou des pans avec les fonds mis à la terre. Des coins pointus éraflent sur la surface.
- Ne pas utiliser de pots ou de pans en aluminium. L'aluminium endommage la surface de verre céramique.
- Seulement certaines sortes de verre, verre/céramique, céramique, faïence ou autres ustensiles en verre sont souhaitables dans une gamme supérieure sans qu'ils brisent à cause d'un changement subit de température.
- Ne pas cuire la nourriture directement sur le dessus de cuisson.
- Pour des aliments contenant du sucre sous n'importe quelle forme, nettoyer tous débordements et souillures dès que possible. Permettre au dessus de cuisson de refroidir un peu. Alors, en portant des mitaines, enlever les débordements alors que la surface est encore tiède. Si des débordements de sucre sont restés sur une surface froide, ils peuvent adhérer au dessus de cuisson et peuvent causer des piqûres et des marques permanentes.
- Si une éponge humide ou un linge est utilisé pour nettoyer les déversements sur la surface de cuisson chaude, prendre garde afin d'éviter une brûlure par la vapeur. Plusieurs nettoyeurs

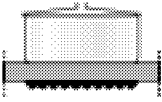
peuvent produire des fumées toxiques lorsqu'appliqués sur une surface chaude. Les poignées des ustensiles devraient être tournées vers l'intérieur et ne pas s'étendre sur les unités de surface adjacentes. Pour réduire les risques de brûlures, de feu sur les matériaux inflammables, et les débordements dus à un contact non-intentionnel avec l'ustensile, la poignée de l'ustensile devrait être tournée pour être à l'intérieur et ne pas s'étendre par-dessus les unités de surface adjacentes.



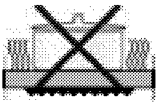
Les éclaboussures peuvent endommager la surface de céramique et peuvent causer le feu.



Ne pas utiliser de pots qui ont des fonds concaves ou convexes.

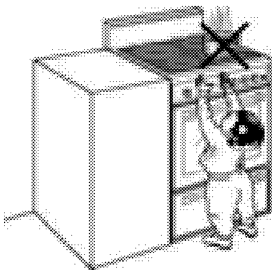


Utiliser des pots ou des pans avec les fonds lisses. Ils assurent un bon transfert de la chaleur.



Si la pan est trop petite, de l'énergie est gaspillée.

DANGER:



Basculement de la pan

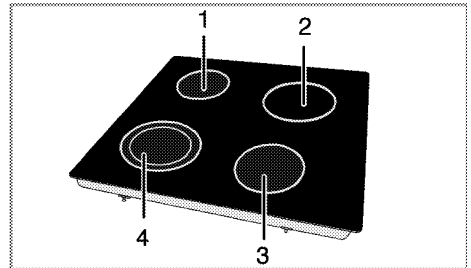
Vous assurer que les poignées du plat ne collent pas sur les bords de l'appareil, pour éviter qu'ils soient frappés par accident. Il doit aussi être difficile pour les enfants d'attraper

les pans de cuisson.

- Vous assurer que les poignées des pans ne soient attrapées accidentellement ou cognées et ne deviennent pas chaudes à cause des zones de chaleur adjacentes. Éviter les pans qui sont instables et facilement basculables. Les pans qui sont trop lourdes pour être déplacées rapidement lorsqu'emplies peuvent aussi être dangereuses.

Ne pas entreposer des items d'intérêt pour les enfants dans les armoires au-dessus de l'appareil ou derrière celui-ci. Les enfants grimpaient sur l'appareil pour chercher des items pourraient se blesser sérieusement.

Comment utiliser le brûleur/les plaques



- 1 Circuit simple de la plaque de cuisson 5,5-6,3
- 2 Circuit simple de la plaque de cuisson 7-8
- 3 Circuit simple de la plaque de cuisson 5,5-6,3
- 4 Circuit double de la plaque de cuisson 4.7-8.3

Pouces sont listées du diamètre conseillé des pots à être utilisés sur les brûleurs concernés.

DANGER: verre brisé!

Ne laisser aucun objet tomber sur la plaque. Même de petits objets (ex: salière) peuvent endommager le brûleur /la plaque.

Ne pas utiliser des plaques en verre céramique avec des fissures. L'eau peut entrer dans les fissures et causer un court-circuit.

Si la surface est endommagée de n'importe quelle façon (ex: fissures visibles), éteindre l'appareil immédiatement pour réduire les risques de choc électrique.

Si le dessus de cuisson devait casser, des solutions de nettoyage et des éclaboussures pourraient pénétrer dans le dessus de cuisson brisé et créer un risque de choc électrique. Contacter un électricien qualifié immédiatement.

Le brûleur/la plaque de verre céramique est équipé avec une lampe d'opération et un indicateur de chaleur résiduelle.

L'indicateur de chaleur résiduelle indique la position qui est allumée sur la plaque et reste allumée après que ce soit éteint. (Lorsque la température de la plaque descend sous une température touchable, la lumière de l'indicateur s'éteint.) Un éclairage de faible scintillement n'est pas un problème avec la lumière de l'indicateur de chaleur résiduelle.

i PRÉ-AVIS:

Des plaques en verre céramique qui chauffent rapidement émettent une lumière brillante lorsqu'ils sont allumés. Ne pas regarder la lumière qui brille.

Allumer la plaque

Les boutons de contrôle du brûleur/de la plaque sont utilisés pour opérer les plaques. Pour obtenir la puissance de cuisson désirée, tourner les boutons de contrôle du brûleur de la plaque au niveau correspondant.

Niveau de cuisson	1	2	3
	tiède	bouillant, mijotant	cuisant, rôtissant

Éteindre la plaque

Tourner le cadran de contrôle de la plaque à la position Éteint (en haut).

5 COMMENT FAIRE FONCTIONNER LE FOUR

Information générale sur la cuisson, le rôtissage et le brunissage

⚠ DANGER:

Risque de s'ébouillanter par la vapeur chaude!

Toujours se tenir loin lors de l'ouverture de la porte du four. L'air chaud ou la vapeur lesquels s'échappent, peuvent causer des brûlures aux mains, à la figure et/ou aux yeux.

Laisser l'air chaud ou la vapeur s'échapper avant d'enlever ou de replacer la nourriture.

Conseils pour la cuisson

- Utiliser des plats en métal à surface anti-adhérente ou des contenants en aluminium ou des moules de silicone résistants à la chaleur.
- Vous assurer de la meilleure utilisation de l'espace sur la tablette.
- Il est recommandé de placer le moule de cuisson dans le milieu de la tablette.
- Choisir la position correcte de la tablette avant d'allumer le four ou de brunir, ne pas bouger les tablettes du four lorsqu'elles sont chaudes.
- Toujours placer les tablettes du four à la position désirée pendant que le four est froid. Si la tablette doit être déplacée lorsque le four est chaud, ne pas permettre aux mitaines d'entrer en contact avec l'élément chauffant dans le four.
- Garder la porte du four fermée.

Conseils pour le rôtissage

- L'assaisonnement avec du jus de citron et du poivre noir augmentera la performance de cuisson lorsque vous cuisez un poulet complet, une dinde ou un gros morceau de viande.
- Une viande avec des os prend environ 15 à 30 minutes de plus avant d'être cuite qu'un rôti de la même grosseur sans os.

- Vous devriez calculer environ 4 à 5 minutes de temps de cuisson par centimètre de poids de viande.
- Laisser la viande se reposer dans le four pour environ 10 minutes après le temps de cuisson. Le jus sera mieux distribué partout dans le rôti et ne s'écoulera pas lorsque le rôti sera coupé.
- Du poisson dans un plat résistant au feu devrait être placé sur la tablette au niveau moyen ou bas.

Conseils pour le brunissage

Le brunissage est idéal pour de la viande de cuisson, du poisson et de la volaille et donnera une belle surface brunie sans que ce soit trop sec. Des pièces plates, des brochettes de viande et des saucisses sont particulièrement souhaitables pour le brunissage comme sont les légumes qui contiennent beaucoup d'eau tels que les tomates ou les oignons.

- Distribuer les pièces à être brunies sur la tablette de broche.
- Si le brunissage est sur la tablette de broche, localiser un pan d'égouttement sous lui afin de récolter le gras.
- Ajouter de l'eau dans le pan d'égouttement pour un nettoyage facile.

Comment utiliser le four électrique

ⓘ IMPORTANT:

Avant d'utiliser le four, l'horloge du four doit être ajustée. Si l'horloge n'est pas ajustée, le four principal ne fonctionnera pas.

ⓘ IMPORTANT:

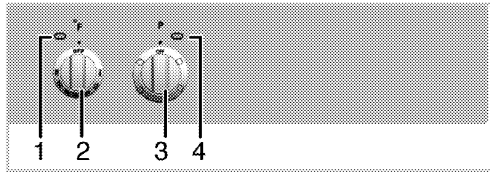
Risque d'empoisonnement alimentaire

Ne laissez pas la nourriture rester dans le four plus d'une heure avant ou après la cuisson. Cela peut résulter en un empoisonnement alimentaire ou être malade.

⚠ AVERTISSEMENT:

Ne jamais couvrir les fentes, les trous ou les passages dans le fond du four ou couvrir la tablette au complet avec des matériaux tels que du papier d'aluminium. Bloquer la circulation d'air dans le four peut causer un empoisonnement par monoxyde de carbone. Des doublures de papier d'aluminium peuvent aussi arrêter la chaleur causant un danger de feu.

Choisir la température et le mode d'opération



1. Lampe du thermostat
2. Bouton du thermostat
3. Bouton de fonction
4. Lampe de fonction

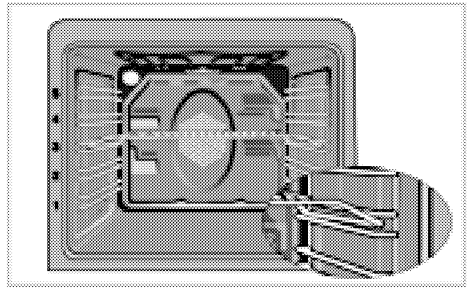
Les modes d'opération du four électrique sont choisis avec le bouton de fonction. La température est ajustée avec le bouton du thermostat.

Toutes les fonctions du four sont éteintes en tournant le bouton pertinent à la position éteint (en haut).

1. Ajuster le bouton du thermostat à la température désirée.
 2. Ajuster le bouton de fonction au mode d'opération requis.
- » Le four chauffe jusqu'à la température ajustée et se maintient. Durant le chauffage, la lampe de température reste allumée.

Éteindre le four électrique

Tourner le bouton de fonction et le bouton du thermostat à la position éteint (en haut).



Positions des grilles

Il est important de positionner la grille de broche sur la tablette de côté correctement. La grille de fer doit être placée de telle sorte qu'elle s'ajustera dans l'ouverture de la grille de fer tel qu'illustré dans la figure.

Modes d'opération

Toutes les fonctions du four sont marquées dans cette section.

L'ordre des modes d'opération montré ici peut dévier de l'arrangement de votre appareil.

Statique



Les chaleurs du dessus et du dessous sont allumées. Les denrées alimentaires sont chauffées simultanément dessus et dessous. Il

est souhaitable, pour les gâteaux, les biscuits ou les gâteaux et casseroles de les mettre dans des moules de cuisson. Cuire avec seulement une tablette.

Chaleur du bas



Seulement la chaleur du bas fonctionnera. C'est particulièrement souhaitable pour les plats tels que la pizza lesquelles sont requises à être

cuites par en dessous.

Brunissage



Le large (sous le toit du four) est en fonctionnement. C'est idéal pour brunir de larges quantités.

- Mettre de grosses ou de moyennes portions à la position correcte de la tablette sous le four à griller pour le brunissage.
- Ajuster la température au niveau maximal.
- Tourner la nourriture après la moitié du temps de brunissage.

Brunissage avec



L'effet de brunissage n'est pas aussi fort que le brunissage normal.

- Mettre de petites ou de moyennes portions à la position correcte de la tablette sous le four à griller pour le brunissage.
- Ajuster la température au niveau maximal.
- Tourner la nourriture après la moitié du temps de brunissage.

Conseils pour cuire des gâteaux

1. Si la pâtisserie est trop sèche,
 - » Augmenter la température de 50°F et réduire le temps de cuisson.
2. Si la pâtisserie renverse,
 - » Utiliser moins de liquide ou baisser le température de 50°F.
3. Si la pâtisserie est trop foncée sur le dessus,
 - » Placez la sur une grille plus basse, baisser la température et augmenter le temps de cuisson.
4. Si c'est bien cuit à l'intérieur mais collant à l'extérieur,
 - » Utiliser moins de liquide, baisser la température, et augmenter le temps de cuisson.

Conseils pour cuire des gâteaux

1. Si la pâtisserie est trop sèche,
 - » Augmenter la température de quelque 50°F et réduire le temps de cuisson.
 - » Humidifier les couches de pâte avec une sauce composée de lait, d'huile d'oeuf et de yogourt.
2. Si la pâtisserie prend trop de temps à cuire,
 - » Vous assurer que l'épaisseur de la pâtisserie que vous avez préparé n'excède pas la profondeur du bac et ajuster le niveau avec cela.
3. Si le haut de la pâtisserie devient brune, mais que le bas n'est pas cuit,

» Vous assurer que vous n'avez pas trop utilisé de sauce pour la pâtisserie dans le fond de la pâtisserie. Essayer d'égaliser la sauce également entre et sur les étages de pâte pour un brunissage égal.

» Cuire la pâtisserie en accord avec le mode et la température donnés dans la table de cuisson. Si le fond de la pâtisserie n'est pas encore cuite, la placer sur une tablette plus basse la prochaine fois.

Conseils pour cuire les légumes

1. Si une assiette de légumes fonctionne sans jus et devient sèche,
 - » Puisqu'en utilisant un couvercle durant la cuisson on gardera le jus des plats dans la pan, cuire vos plats de légumes dans une pan avec un couvercle au lieu d'un plateau.
2. Si les plats de légumes ne cuisent pas,
 - » Faire bouillir les légumes avant de les manipuler ou les préparer comme de la nourriture en boîte et mettez-les dans le four.

Table des temps de cuisson














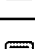

i IMPORTANT:

Les valeurs indiquées dans la table ci-dessous sont des données indicatives. Ils peuvent varier selon le type de nourriture aussi bien que vos préférences de cuisson.

Cuisson et rotissage

i IMPORTANT:

Le niveau 1 est le **bas** niveau du four.

Nourriture	Numéro de niveau de cuisson		Position de la grille	Température (°F)	Temps de cuisson (min.) (environ)
Gâteau sur une plaque	Niveau Un		4	350	25 ... 30
Gâteau dans un moule	Niveau Un		2	355	40 ... 50
Gâteau dans du papier	Niveau Un		3	350	25 ... 30
Gâteau éponge	Niveau Un		3	390	5 ... 10
Biscuits	Niveau Un		3	350	25 ... 30
Pâte à pâtisserie	Niveau Un		2	390	30 ... 40
Pâtisserie savoureuse remplie	Niveau Un		2	390	25 ... 35
Levain	Niveau Un		2	390	35 ... 45
Lasagne	Niveau Un		2-3	390	30 ... 40
Pizza	Niveau Un		2	390 ... 430	15 ... 20
Cuisseau d'agneau (casserole)	Niveau Un		3	25 min. max après 355...375	70 ... 90
Poulet rôti	Niveau Un		2	15 min. max après 355...375	55 ... 65
Dinde (5.5 kg)	Niveau Un		2	25 min. max après 355...375	160 ... 210
Poisson	Niveau Un		3	390	20 ... 30

Lorsque vous cuisinez avec deux tablettes en même temps, placer la tablette la plus profonde et la tablette peu profonde sur l'étagère plus basse.

Il est suggéré d'effectuer un pré-chauffage de tous les aliments.

Comment manipuler le brunissage

i IMPORTANT:

Avant d'utiliser le four, l'horloge du four doit être ajustée. Si l'horloge n'est pas ajustée, le four principal ne fonctionnera pas.



AVERTISSEMENT:

Des surfaces chaudes peuvent causer des brûlures!

Fermer la porte du four durant le brunissage.

Mettre sur brunissage

1. Ajuster le cadran de fonction sur le symbole brunissage.
2. Ajuster la température de brunissage
3. Préchauffer environ 5 minutes, si nécessaire.

» La lampe du thermostat est allumée.

Éteindre le brunissage

1. Tourner le cadran de contrôle du brunissage à la position Éteint (en haut).

Positions des grilles

Pour une couverture optimale du brunissage, positionner la grille de métal au centre du four, juste hors de contact avec la vitre de la porte. Placer la grille de métal complètement à l'arrière du four réduira la couverture de brunissage.

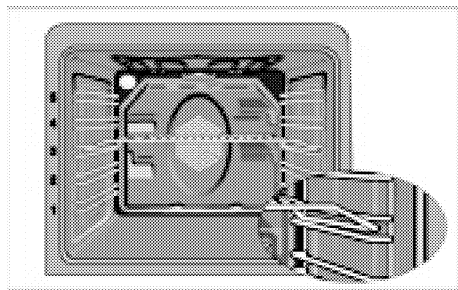


Table des temps de cuisson pour le brunissage

Brunissage avec un brunisseur électrique

Nourriture	Position de la grille	Temps de grillage (environ)
Poisson	4...5	20...25 min. #
Poulet tranché	4...5	25...35 min.
Longes d'agneau	4...5	20...25 min.
Rôti de boeuf	4...5	25...30 min. #
Longes de veau	4...5	25...30 min. #
Pain grillé	4	1...2 min.

dépendant de l'épaisseur

6 ENTRETIEN ET SOIN

Information générale

DANGER:

Risques d'Électrocution!

Éteindre l'électricité avant de nettoyer l'appareil pour éviter l'électrocution.

AVERTISSEMENT:

Des surfaces chaudes peuvent causer des brûlures!

Permettre à l'appareil de refroidir avant de le nettoyer.

PRÉ-AVIS:

La surface peut être endommagée avec des détergents ou des matériaux de nettoyage.

Ne pas utiliser de détergents agressifs, de poudre nettoyante/crème ou tous objets pointus. Être prudent pour éviter les brûlures de vapeur. Plusieurs nettoyeurs peuvent produire des fumées toxiques lorsqu'appliqués sur une surface chaude.

Nettoyer l'appareil soigneusement après chaque utilisation; de cette façon, il sera possible d'enlever les résidus de cuisson plus facilement, en les évitant de brûler la prochaine fois que l'appareil sera utilisé.

Aucun agent de nettoyage spécial n'est requis pour le nettoyage de l'appareil. Il est recommandé d'utiliser de l'eau tiède avec du liquide à laver, un linge doux ou une éponge et utiliser un linge sec pour le séchage.

Ne pas utiliser aucun matériel de nettoyage abrasif!

IMPORTANT:

Ne pas utiliser de nettoyeur à vapeur pour le nettoyage.

Comment nettoyer le brûleur/la plaque

Plaques de céramique

Toujours rincer entièrement avec un linge propre essoré d'eau propre (de tels résidus pourraient causer du dommage à la surface

de céramique glacée la prochaine fois que la plaque sera utilisée)

En aucun cas, les croûtes ne devraient être grattées avec des couteaux pointus en dent de scie, de la laine d'acier ou quelque chose de semblable.

Enlever les taches de calcium (tache jaune) avec de petites quantités d'agent décalcifiant tel que du Durgol, du vinaigre ou du jus de citron.

Ne pas permettre au vinaigre, au café, au lait, à l'eau salée, au citron ou au jus de citron d'entrer en contact avec les parties en enamel (c.a.d. à l'intérieur du four).

Appliquer un agent avec une éponge et, dans le cas d'une souillure plus difficile, le laisser travailler pour une période de temps plus longue. Par la suite, laver le brûleur/la plaque avec de l'eau.

IMPORTANT:

De la nourriture à base de sucre comme de la crustade et le sirop doivent être immédiatement grattés sans attendre de la surface à refroidir. Sinon le brûleur/la plaque peuvent être endommagés de façon permanente.

Nettoyage du panneau de contrôle

PRÉ-AVIS:

Domage au panneau de contrôle!

Ne pas enlever les boutons de contrôle pour le nettoyage du panneau de contrôle.

Nettoyer le panneau de contrôle et les boutons de contrôle.

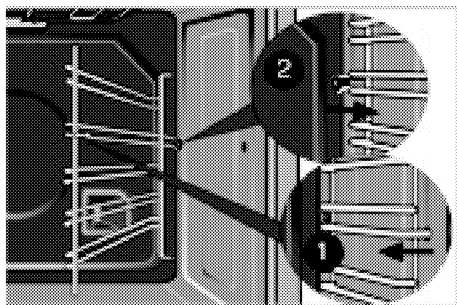
Nettoyage du four

Aucun nettoyeur de four ou tout autre agent de nettoyage spécial n'est requis pour nettoyer le four. Il est recommandé de nettoyer le four avec un linge humide lorsqu'il est encore tiède.

Ne pas permettre au gras, aux huiles de s'accumuler dans la base du four, ou les accessoires du four.

Pour nettoyer le mur de côté,

1. Enlever la section frontale de la grille de côté en la tirant dans la direction opposée du mur de côté.
2. Enlever la grille de côté complètement en la tirant vers vous.

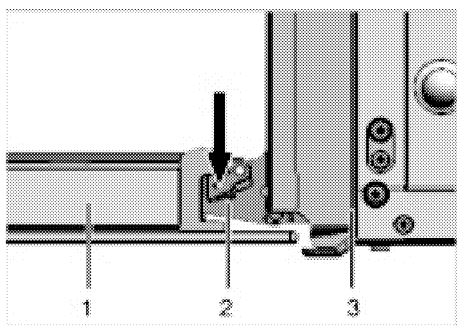


Nettoyer la porte du four

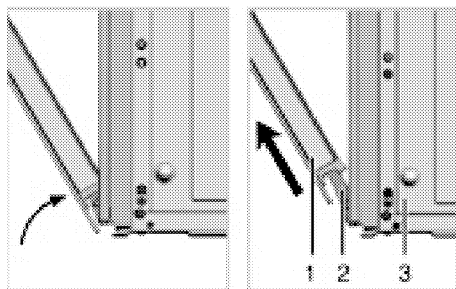
Ne pas utiliser aucun nettoyeur abrasif difficile ou grattoir de métal pointu pour le nettoyage de la porte du four. Ils pourraient égratigner la surface et détruire le verre.

Enlèvement de la porte du four

1. Ouvrir la porte du four.
2. Ouvrir les clips dans le logement de la charnière sur les côtés droit et gauche de la porte frontale en les pressant tel qu'illustré dans la figure.



- 1 Porte frontale
- 2 Charnière
- 3 Four



3. Bouger la porte frontale à mi-chemin.
4. Enlever la porte frontale en tirant par en haut pour la libérer des charnières droites et gauches.

⚠ PRÉ-AVIS:

Les étapes de réalisation durant le procédé d'enlèvement devraient être effectuées dans l'ordre inverse (étapes 4, 3, 2 et 1) pour rattacher la porte. Ne pas oublier de fermer les clips au logement à charnière lors de la réinstallation de la porte.

Replacer la lampe du four

⚠ PRÉ-AVIS:

Des surfaces chaudes peuvent causer des brûlures!

Vous assurer que cet appareil est éteint et refroidi afin d'éviter le risque d'électrocution.

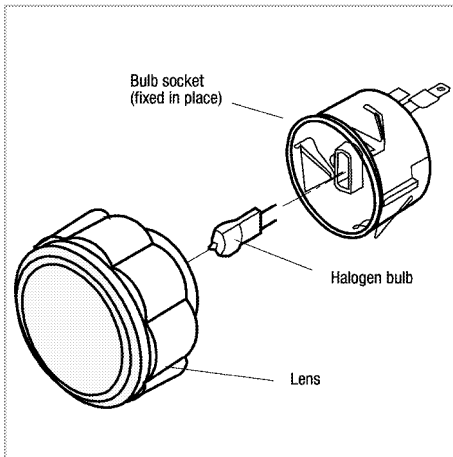
Les lentilles doivent être en place lors de l'utilisation du four.

Les lentilles servent à empêcher l'ampoule de briser.

Les lentilles sont faites en verre. Manipuler soigneusement pour éviter la casse. Le verre brisé peut causer une blessure.

⚠ PRÉ-AVIS:

La position de la lampe peut varier du diagramme.



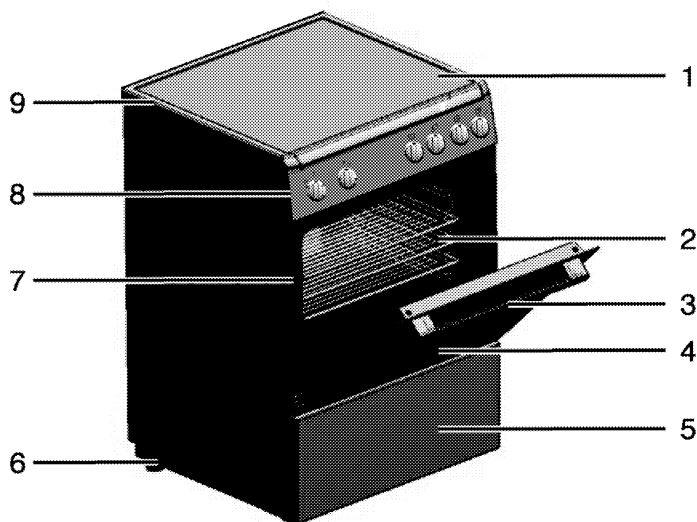
Chaque four est équipé avec une lampe halogène localisée dans le mur du fond du four. Les lumières s'allument lorsque la porte est ouverte ou lorsque le four est au cycle de cuisson. Les lumières du four ne sont pas allumées durant l'auto-nettoyage. Chaque assemblage de lumière consiste en une lentille enlevable, une ampoule ainsi que la douille qui est fixée en place. Le remplacement de l'ampoule est considéré être un item d'entretien de routine.

Pour remplacer l'ampoule

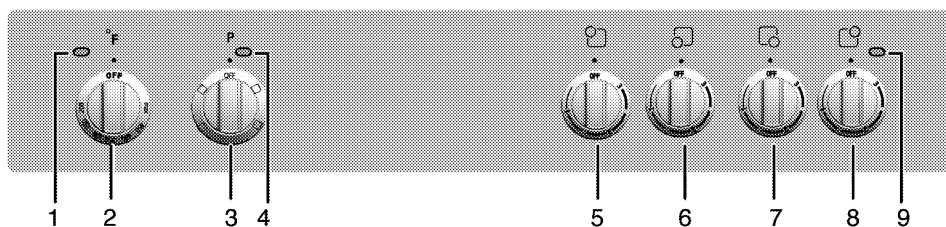
1. Lire l'avertissement sur cette page.
2. Éteindre le courant à la boîte de l'alimentation principale (votre boîte de fusibles ou d'interrupteurs).

7 INFORMATION GÉNÉRALE

Survol



- | | | | |
|---|----------------------|---|---------------------------|
| 1 | Plaques de céramique | 6 | Pied |
| 2 | Tablette de broche | 7 | Positions des grilles |
| 3 | Poignée | 8 | Panneau de contrôle |
| 4 | Porte frontale | 9 | Surface de vitrocéramique |
| 5 | Partie inférieure | | |



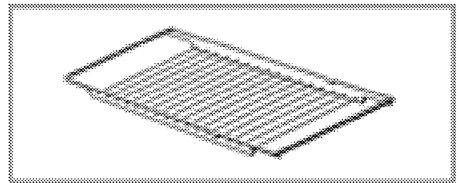
- | | | | |
|---|----------------------------------------------------------|---|----------------------------------------------------------|
| 1 | Lampe du thermostat | 6 | Circuit simple de la plaque de cuisson en avant à gauche |
| 2 | Bouton du thermostat | 7 | Circuit simple de la plaque de cuisson devant à droite |
| 3 | Bouton de fonction | 8 | Circuit simple de la plaque de cuisson Derrière à droite |
| 4 | Lampe de fonction | 9 | Lamp d'avertissement de chauffe-plat |
| 5 | Circuit simple de la plaque de cuisson derrière à gauche | | |

Données techniques

GÉNÉRALITÉS	
Dimensions extérieures (hauteur/largeur/profondeur)	33 1/3 /23 1/2 x 23 1/2 pouces
Voltage/fréquence	120/240V ~ 60 Hz
Puissance électrique totale	8,6 kW
Protection des fusibles	40 A min.
Sorte de câble/section	DTR 4x10 AWG
Longueur de câble	6 pieds max.
Brûleurs- BERU 24200 SS	
Derrière à gauche	Circuit simple de la plaque de cuisson
Grandeur	5,5 pouces
Alimentation	1200 W
Devant gauche	Circuit simple de la plaque de cuisson
Grandeur	7 pouces
Alimentation	1800 W
Devant droit	Circuit simple de la plaque de cuisson
Grandeur	5,5 pouces
Alimentation	1200 W
Derrière à droite	Circuit simple de la plaque de cuisson
Grandeur	7 pouces
Alimentation	1800 W
Four principal	Four traditionnel
Éclairage intérieur	15-25 W
Consommation de courant du brunissage	2.2 kW

Accessoires fournis avec l'unité

i IMPORTANT: Les accessoires fournis peuvent varier dépendant du modèle du produit. Tous les accessoires décrits dans le manuel de l'utilisateur peuvent ne pas exister sur votre produit.

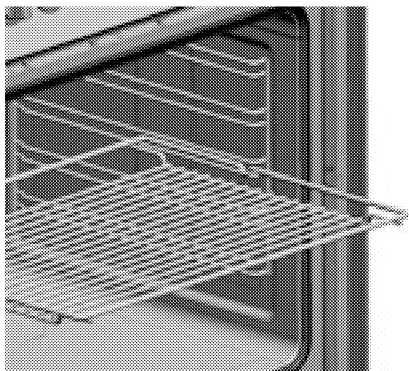
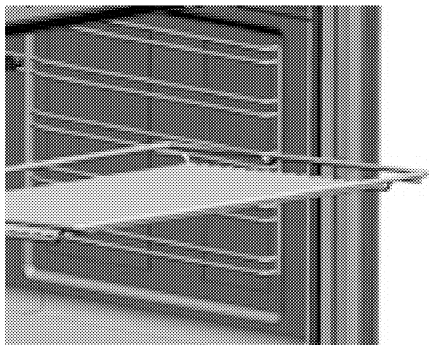


Tablette de broche

Peut être utilisé pour rôti et comme dépôt pour cuire, rôti et pour les plats et casseroles.

Positionnement correct de la tablette de broche sur les tablettes coulissantes

Il est important de positionner le gril et/ou la pan d'égouttement sur les tablettes de broche correctement. glisser le gril ou la pan d'égouttement complètement entre les 2 rails et vous assurer que c'est stable avant de mettre des plats dessus (veuillez regarder la figure qui suit).



8 DÉPANNAGE

DANGER:

Risque d'électrocution, de court-circuit ou de feu lors de réparations non-professionnelles.

Les réparations sur l'appareil doivent être effectuées par un centre de service approuvé.

Conditions d'opération normales

- La fumée et la senteur peuvent être émises durant une couple d'heures durant la première opération.
- Il est normal que la fumée s'échappe durant l'opération.
- Lorsque les pièces de métal sont chauffées, il peuvent s'étendre et faire du bruit.

Avant d'appeler le service, veuillez vérifier les points suivants

Équipement électrique

Problème/ Malfunctionnement	Causes possibles	Conseils/remède
Cet appareil ne fonctionne pas.	Les fusibles principaux sont défectueux ou ont sautés.	Vérifier les fusibles dans la boîte de fusibles. Si nécessaire, les remplacer ou les réinitialiser.
	La prise de l'appareil ne peut pas être connectée au support de mise à la terre.	Vérifier la connection de la prise.
	Les boutons de la minuterie ne fonctionnent pas.	Le verrouillage peut être engagé. Veuillez le déverrouiller (voir, comment utiliser le programme de verrouillage),
La lumière du four ne fonctionne pas	La lumière du four est défectueuse.	Remplacer l'ampoule du four.
	Aucun courant.	Vérifier les fusibles dans la boîte de fusibles. Si nécessaire, les remplacer ou les réinitialiser.
Le four ne chauffe pas.	Le bouton de fonction et/le bouton de thermostat ne sont pas réglés.	Ajuster le bouton de fonction et le bouton de thermostat.
	Si l'appareil a une minuterie, la minuterie peut ne pas être ajustée.	Ajuster le temps.
	Aucune alimentation.	Vérifier l'alimentation principale et la boîte de fusibles.

L'horloge/la minuterie (si l'appareil a une minuterie digitale)

Problème/ Malfunctionnement	Causes possibles	Conseils/remède
L'afficheur de l'horloge clignote ou le symbole de l'horloge est allumé.	L'alimentation a été interrompue auparavant.	Ajuster la minuterie. Alors éteindre le four avec les boutons de fonction, ajuster le fonction du four encore.

Si le problème n'a pas été résolu.

1. Séparer l'unité de l'alimentation principale (désactiver ou dévisser le fusible).
2. Appeler le service après-vente de votre revendeur en magasin.

IMPORTANT:

Ne pas tenter de réparer l'appareil vous-mêmes. Il n'y a pas d'items du service au consommateur à l'intérieur de l'appareil.

9 DÉCLARATION DE GARANTIE pour les produits électriques et au gaz Blomberg

Les garanties fournies par Blomberg dans ces déclarations s'appliquent seulement aux appareils électriques et au gaz Blomberg vendus à un acheteur original ou propriétaire aux États-Unis et au Canada. Cette garantie est non-transférable.

Pour obtenir un service sous garantie, veuillez contacter notre distributeur le plus près tel que listé ou appeler au 1 800-459-9848. Vous aurez besoin du numéro de modèle de votre appareil électrique ou au gaz, de votre numéro de série, du nom et de l'adresse du vendeur, où vous l'avez acheté et la date d'achat/la date d'installation.

Cette garantie vous donne des droits légaux spécifiques, et vous pouvez aussi avoir d'autres droits lesquels varient d'un état à l'autre.

Toutes les déclarations de garanties ci-dessous sont basées sur un usage domestique normal. **L'utilisation du produit dans un cadre commercial annule toutes les garanties.**

Le service peut aussi être effectué par un Agence de Service Autorisé Blomberg.

Les défauts cosmétiques doivent être rapportées dans les 10 jours ouverts de l'installation.

Une garantie * limitée de 1 an à partir de la date de la première installation. Blomberg réparera ou remplacera sans coût pour le consommateur, tout pièce défectueuse des appareils électriques ou au gaz, main d'oeuvre incluse.

Une garantie * ++ limitée de 2 ans à partir de la date de la première installation (pièces seulement). Blomberg réparera ou remplacera sans coût pour le consommateur si les défauts de matériel ou de fabrication ont causés des dommages ou l'échec de ces

composantes, Les charges de main d'oeuvre sont la responsabilité du consommateur.

Une garantie * ++ limitée de 2-5 ans à partir de la date de la première installation (pièces seulement). Blomberg réparera ou remplacera la cavité du four, sans coût pour le consommateur si les défauts de matériel ou de fabrication ont causés des dommages ou l'échec de ces composantes,

Les charges de main d'oeuvre sont la responsabilité du consommateur.

Avertissements sur les garanties et exclusions.

La garantie ne couvre pas les coûts de service par un agent de service autorisé pour corriger l'installation, pour les problèmes électriques ou de l'instruction éducative sur l'utilisation des appareils électriques ou au gaz. Cette garantie ne couvre pas également les défauts ou dommages causés par un acte de Dieu (tels que les tempêtes, inondations, feux, glissement de terrain), les dommages causés par l'utilisation des appareils électriques ou au gaz pour des usages autres que ceux pour lesquels ils sont désignés, une mauvaise utilisation, l'abus, un accident, une altération, une installation incorrecte, l'entretien, les frais de voyage, les appels de service hors des heures normales de service, un travail non autorisé ou un travail.

Ce produit a été entièrement testé et a passé ;a travers les inspections d'assurance-qualité avant de quitter le site original de fabrication.

Les termes de la garantie pour cet appareil domestique Blomberg ne sont pas valides si ce produit est altéré, trafiqué, modifié, assemblé avec des pièces additionnelles, fixé et remballé par un distributeur autorisé, un réparateur, un tiers vendeur ou par toute(s) autre(s) personne(s) non autorisée(s).

EXTENSION PERMISE PAR LA LOI, CETTE GARANTIE REMPLACE TOUTES LES AUTRES GARANTIES EXPRIMÉES OU IMPLICITES, INCLUANT LES GARANTIES IMPLICITES MARCHANDE ET DE FORME POUR UN USAGE PARTICULIER. BLOMBERG NE PREND AUCUNE RESPONSABILITÉ POUR LA QUALITÉ DE CE PRODUIT SAUF CEUX FOURNIS PAR LA DÉCLARATION DE GARANTIE. BLOMBERG N'ASSUME AUCUNE RESPONSABILITÉ QUE CE PRODUIT CONVIENTRA POUR TOUT USAGE PARTICULIER POUR LEQUEL VOUS POUVEZ AVOIR ACHETÉ CE PRODUIT, EXCEPTÉ CEUX EXPRIMÉS DANS CETTE DÉCLARATION DE GARANTIE.

Blomberg n'assume aucune responsabilité pour des dommages incidentiels ou conséquentiels. De tels dommages incuent mais ne sont pas limités à, la perte de profits, la perte d'épargne ou de revenus, la perte de l'usage d'un cuisinier ou de tout équipement associé, un coût en capital, un coût de tout équipement de substitution, les installations ou services, les temps d'arrêt, les réclamations de tiers-parties, et les dommages à la propriété. Certains états ne permettent pas l'exclusion ou la limitation des dommages incidentiels ou conséquentiels, aussi les limitations ci-dessus peuvent ne pas s'appliquer à vous.

* La date d'installation doit référer soit à la date d'achat ou à 5 jours ouvrables après la livraison du produit à la maison, selon ce qui est le plus tard.

++Les pièces remplacées assumeront l'identité des pièces originales et leur garantie originale.

Aucune autre garantie. Cette déclaration de garantie est une garantie complète et exclusive du manufacturier. Aucun employé de Blomberg ou aucune autre partie n'est autorisé à faire d'autres déclarations de garantie en addition de celle faite dans cette Déclaration de Garantie.

Veillez garder cette carte de garantie, le manuel de l'utilisateur et vos factures de vente pour référence future.

COMMENT OBTENIR DU SERVICE

Veillez contacter le distributeur de votre État ou Province tel qu'inscrit sur la Liste des Contacts de Distributeurs ou appeler notre Numéro Sans Frais 1 800 459 9848 pour trouver l'Agent de Service Blomberg Autorisé. 02 01

