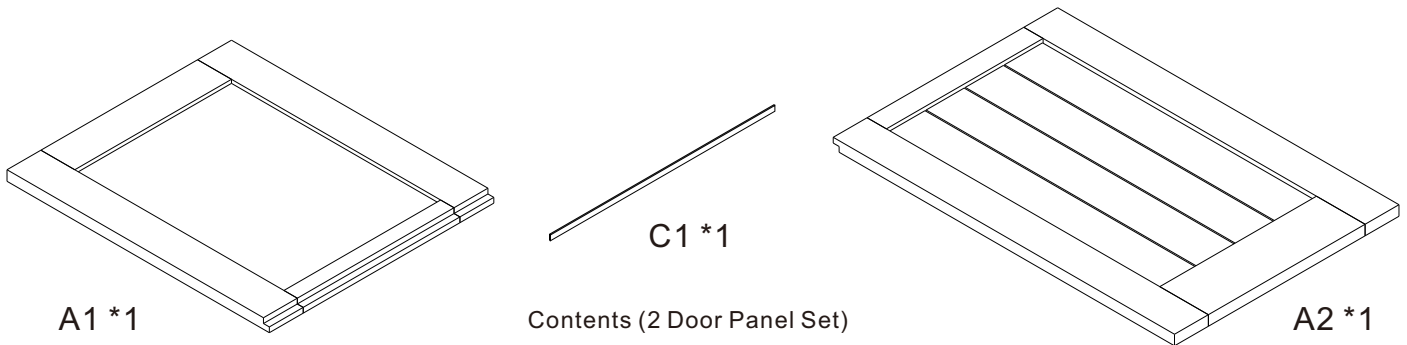


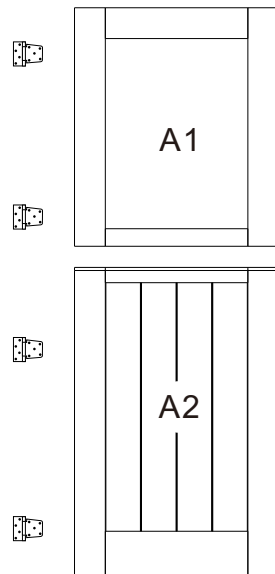
DUTCH DOOR INSTALLATION

NOTE: The package does not include the hinge hardware. Need to prepare by yourself.



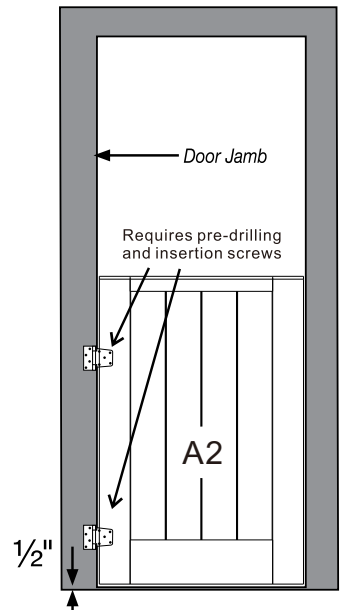
Step 1

Open the box and put the two door panels flat on the ground. Install the hinges on one side of each of the two door panels, and note that the hinges are installed as close to the ends of the door panels as possible to ensure that the Dutch doors work properly. Make sure that the hinges are level.



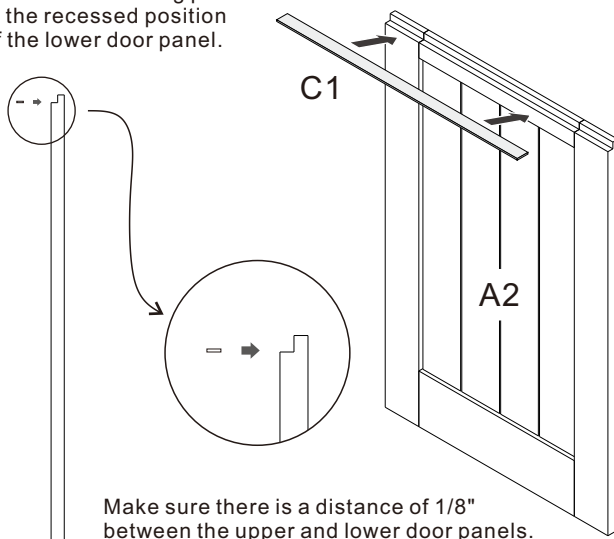
Step 2

Place the bottom half of the door into the door jamb. Make sure the door is level and there is a $\frac{1}{2}$ " gap from the bottom of the door to the floor. When the door is level, place the hinges on the door jamb. Use the holes on the hinges as a guide for pre-drilling. After pre-drilling the holes insert the screws and fasten.



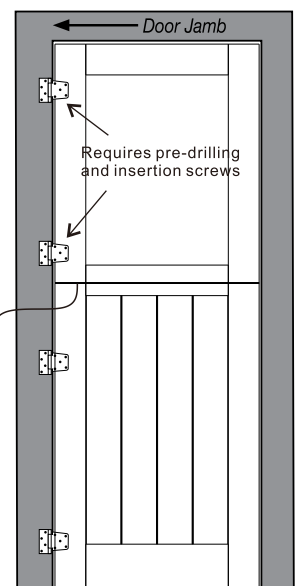
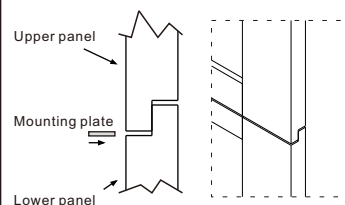
Step 3

Install the mounting plate in the recessed position of the lower door panel.



Step 4

Place the top half of the door on top of the lower half. Make sure the door is level. When the top half is in place, put the hinges on the door jamb as a guide for pre-drilling. When the holes are completed insert the screws and fasten.



After confirming that the Dutch doors work properly, remove the mounting plate.