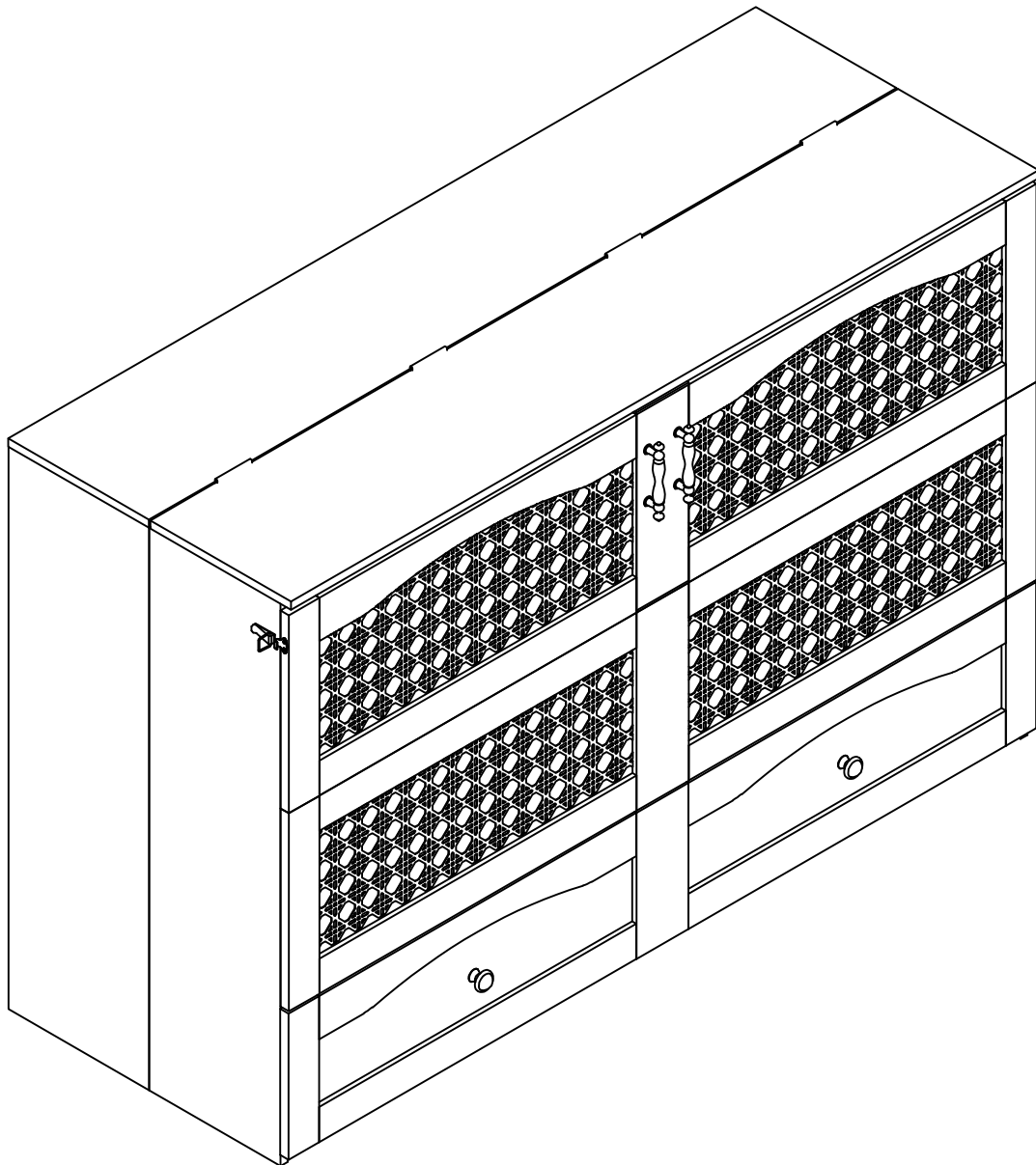


Murphy Bed



WARRANTY

WARRANTY CLAIMS

- There is a 30-day warranty for broken furniture or any other problems that do not work properly. The warranty will start from the date of purchase which must be verified by proof of purchase.
- The product must be used in accordance with the instructions provided. For health reasons.
- For other reasons, if the furniture needs to be returned, it must be cleaned and dried and operated within 30 days of receipt.

Type of Warranty Claim

- Failure to follow the furniture instructions will invalidate the warranty. Attention please.
- Does not include damage during installation, but includes damage during transportation.

Scope of responsibility

- Shall not bear any responsibility for misuse or user damage and / or loss of parts during the installation of furniture.
- After using, the damage and scratches of the furniture are not covered by the warranty.

The Warranty Relates to All Bought in The Us and Covers The Following Areas

- Sheet parts: 1 month from the date of purchase.
- Electrical parts: 1 month from the date of purchase.

IMPORTANT INFORMATION!

•please read the entire manual before starting to assemble and/or using this product. follow the manual thoroughly and keep it for further reference.

AVOID SCRATCHES!

•In order to avoid scratching this furniture should be assembled on a soft layer-could be a rug.

IMPROVE EFFICIENCY !

•Try to find a partner to install with you, which can speed up the installation efficiency and shorten the time.

IMPORTANT !

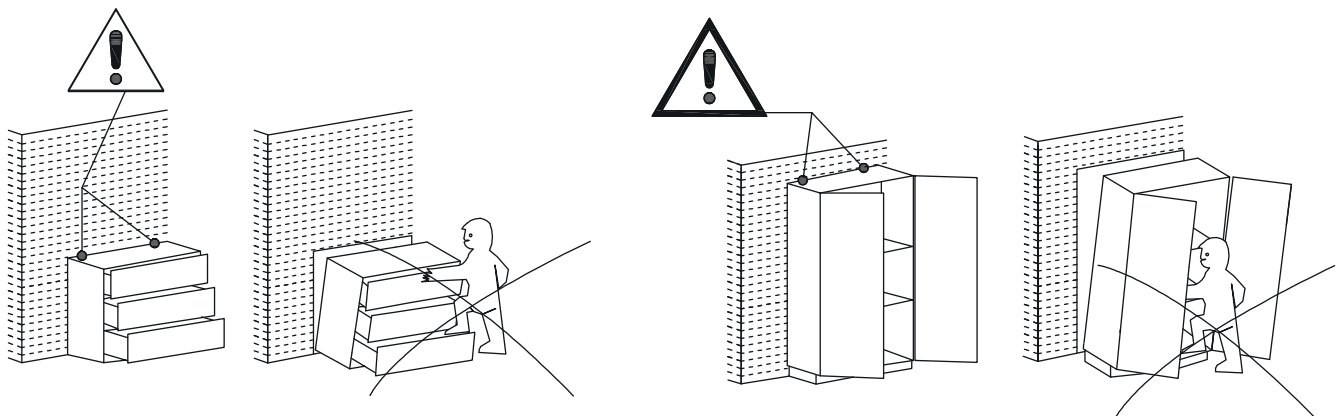
•It is important that any product which is assembled using any kind of screw is re-tightened 2 weeks after assembly, and once every 3 months - in order to assure stability through-out the lifespan of the product.

•For regular maintenance and cleaning of the product, for the frame, please use a rag dipped in neutral detergent to fully wipe it, and then dry it with a clean rag. For glass materials, wipe with a rag dampened with water glass cleaner, and then dry with a dry rag.

•Do not use an electric screwdriver, and do not use too much force when installing, because the board is easy to break.

ANTI-TOPPLE WARNING !

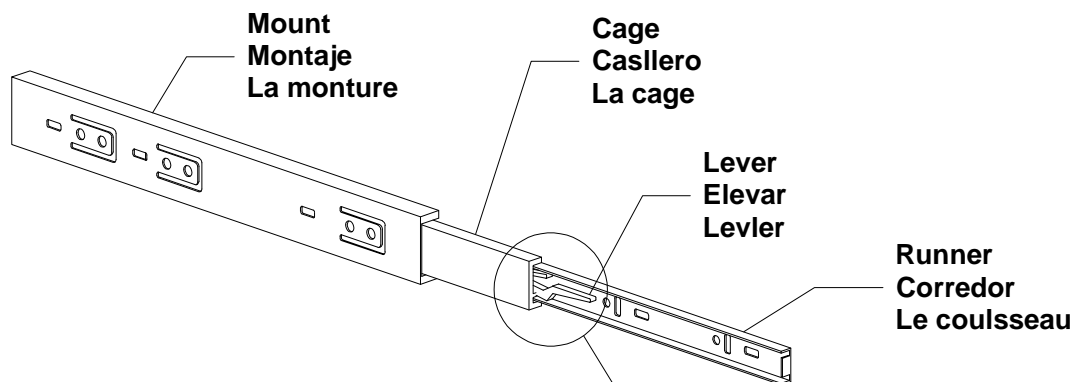
Overtured furniture can cause serious or fatal crush injuries. To prevent tipping over, be sure to use the wall attachment, if not included with this product. Please purchase the wall attachment that fit your wall. If unsure, seek professional advice. Please read and follow each step of the instructions carefully.



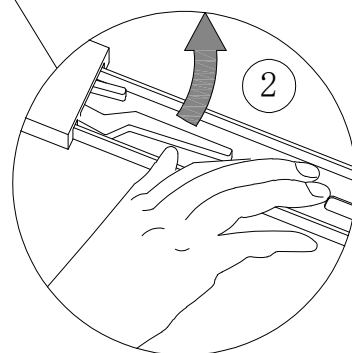
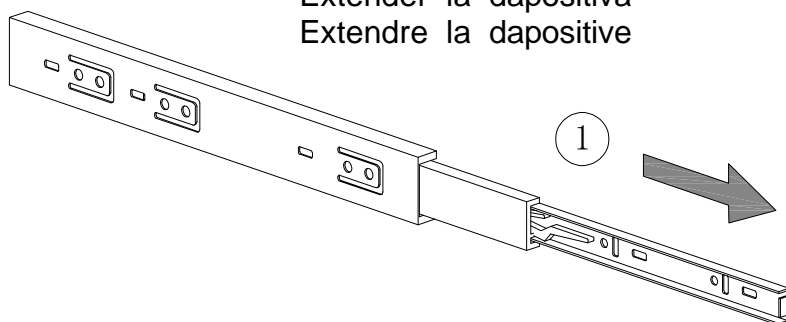
**Slides Must be Separated Before Assembly.
After Separated, Set Aside Until Needed for Assembly.**

Las diapositivas deben separarse antes del montaje.
Después de la separación, déjelo a un lado hasta que sea necesario.

Les glissières doivent être séparées avant l'assemblage.
Après la séparation, mettez de côté jusqu'au moment de l'assemblage.

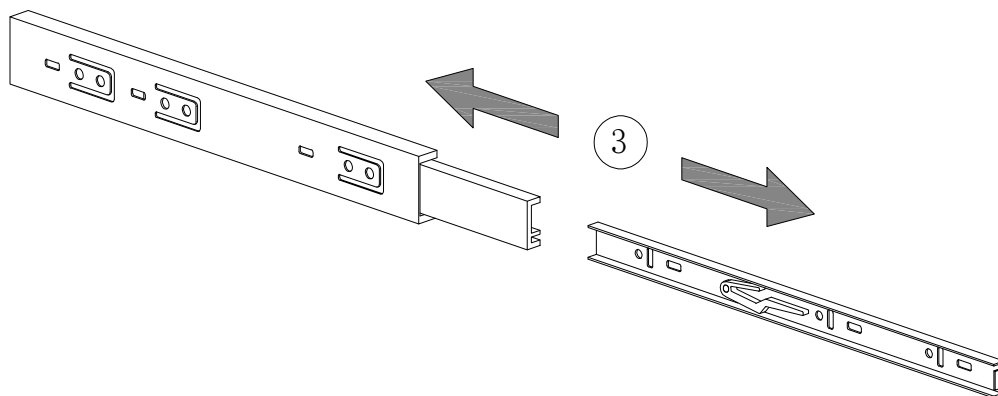


Step 1: Extend slide
Extender la dapositiva
Extendre la dapositive

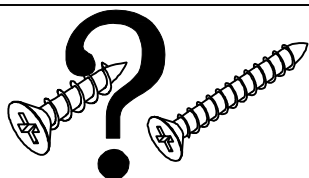
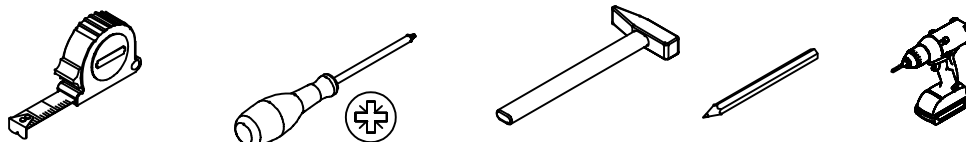


Step 3: Remove Runner
Quitar el corredor
Enlever le coureur



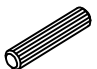
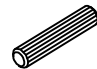

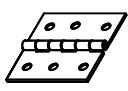
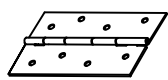

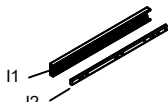

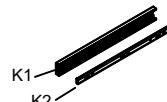
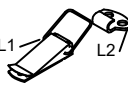










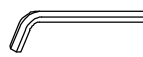

Step 2: Push Lever Up
Empujar hacia arriba
Lever le levier

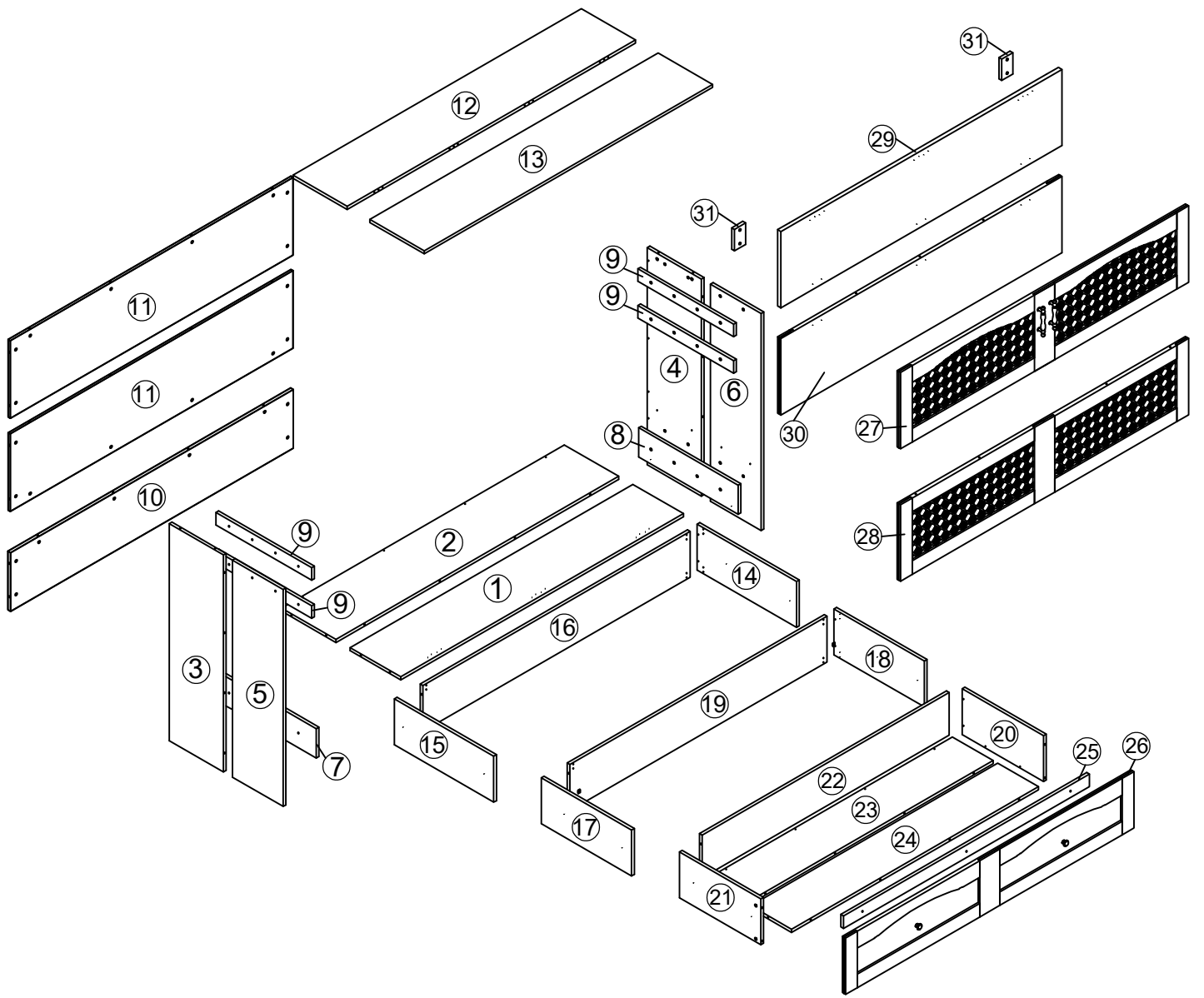


Please prepare the following tools



When installing, please carefully confirm whether each screw corresponds to the manual, accessories with similar shapes can be distinguished by size

<p>A x 64</p>  <p>Ø6 x 28mm</p>	<p>B x 64</p>  <p>Ø15 x 10mm</p>	<p>C x 26</p>  <p>Ø8 x 40mm</p>	<p>D x 4</p>  <p>Ø6 x 40mm</p>	<p>E x 24</p>  <p>Ø3 x 14mm</p>	<p>F x 4</p>  <p>60 x 38mm</p>
<p>G x 6</p>  <p>100*70mm</p>	<p>H x 88</p>  <p>Ø3.5 x 14mm</p>	<p>I x 2</p>  <p>550mm</p>	<p>J x 2</p>  <p>500mm</p>	<p>K x 2</p>  <p>450mm</p>	<p>L x 2</p> 
<p>M x 12</p>  <p>H52mm</p>	<p>N x 24</p>  <p>Ø3.5 x 25mm</p>	<p>O x 8</p>  <p>25 x 15 x 15mm</p>	<p>P x 6</p>  <p>Ø80 x 2mm</p>	<p>Q x 31</p>  <p>Ø6*20mm</p>	<p>R x 4</p>  <p>Ø4 x 12mm</p>
<p>S x 4</p>  <p>Ø4 x 22mm</p>	<p>T x 2</p>  <p>96mm</p>	<p>U x 2</p> 	<p>V x 48</p>  <p>Ø4 x 14mm</p>	<p>W x 1</p>  <p>M4</p>	<p>X x 4</p>  <p>Ø6*30mm</p>



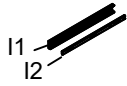
1

H x 4

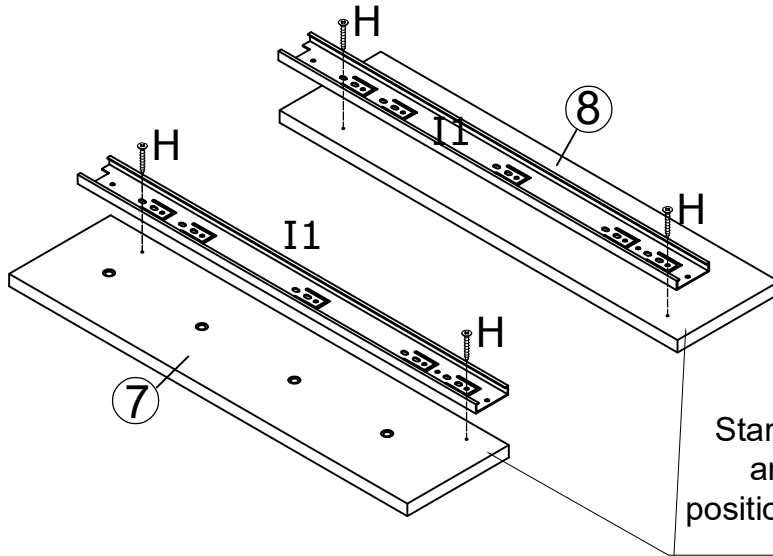
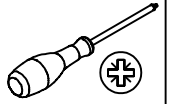


Ø3.5 x 14mm

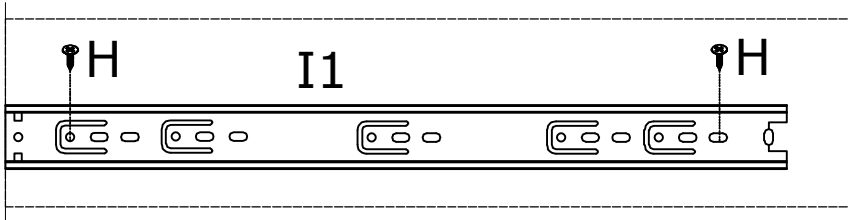
I x 2



550 mm



Start by this drilling the hole, and then use the screw to position and secure it in place.



2

A x 20

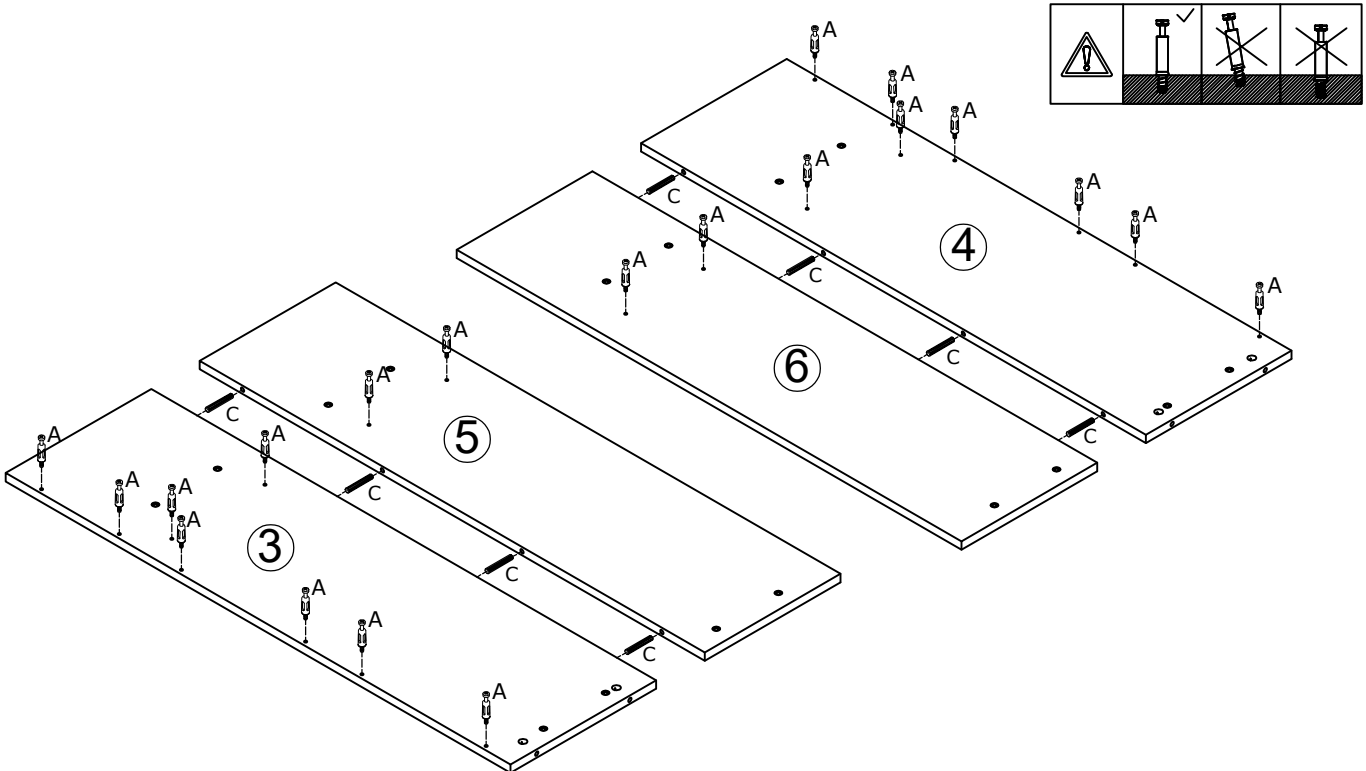
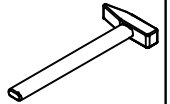
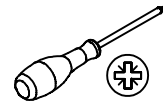


Ø6 x 28mm

C x 8



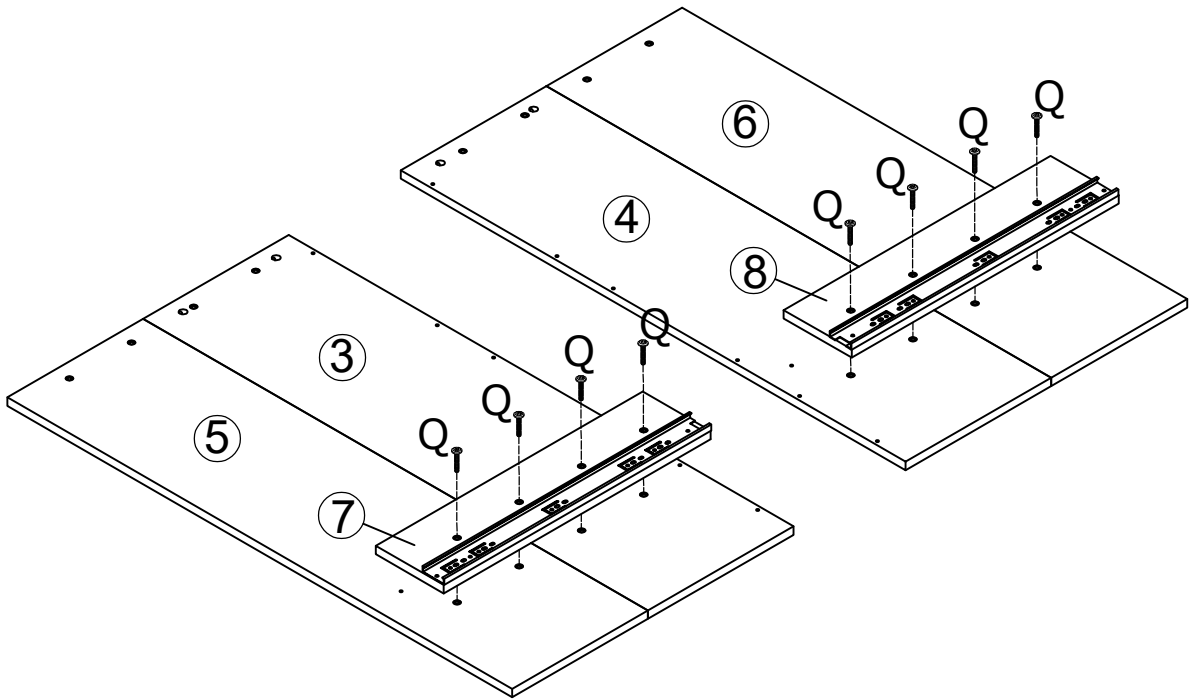
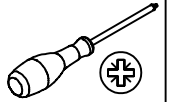
Ø8 x 40mm



3

Q x 8
Ø6 x 20mm

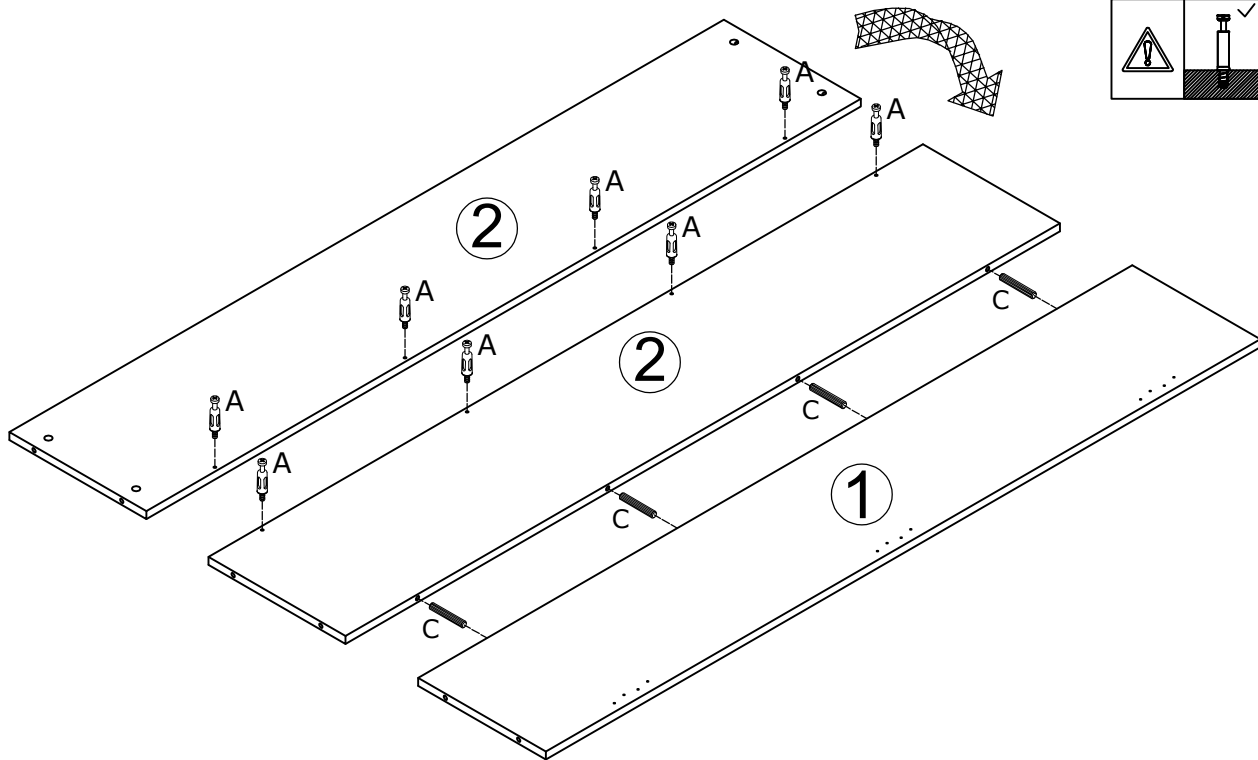
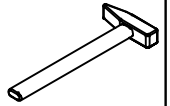
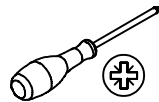
W x 1
M4



4

A x 8
Ø6 x 28mm

C x 4
Ø8 x 40mm

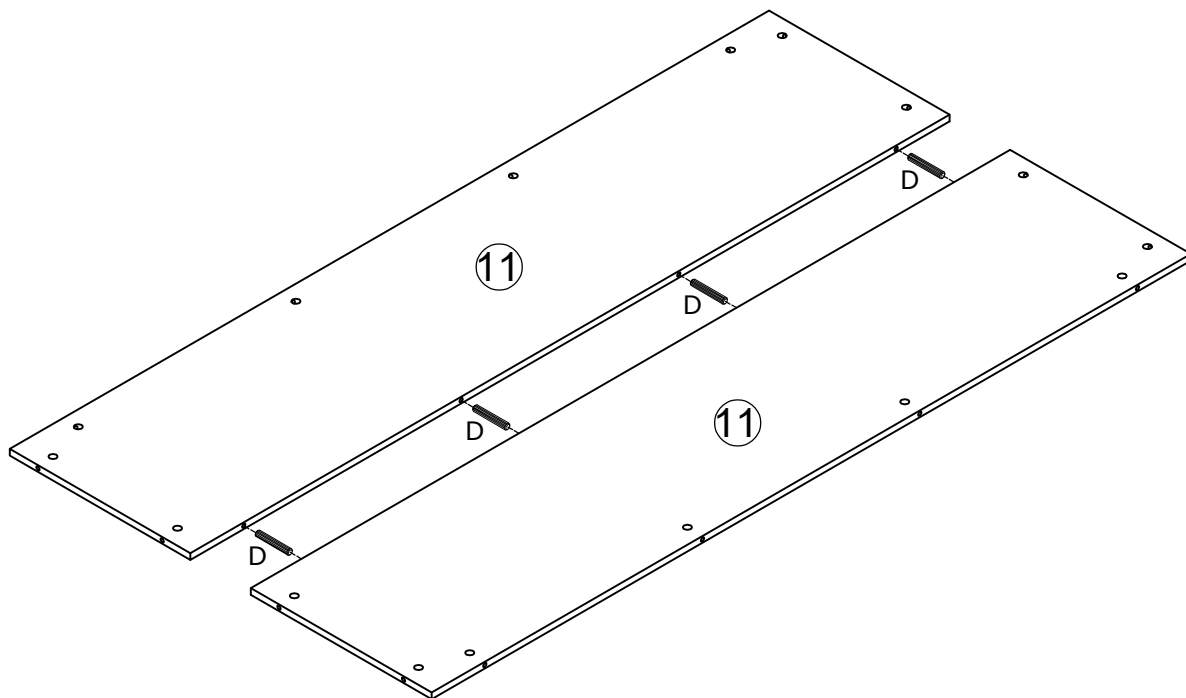
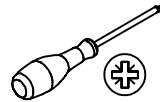


5

D x 4



Ø6 x 40mm

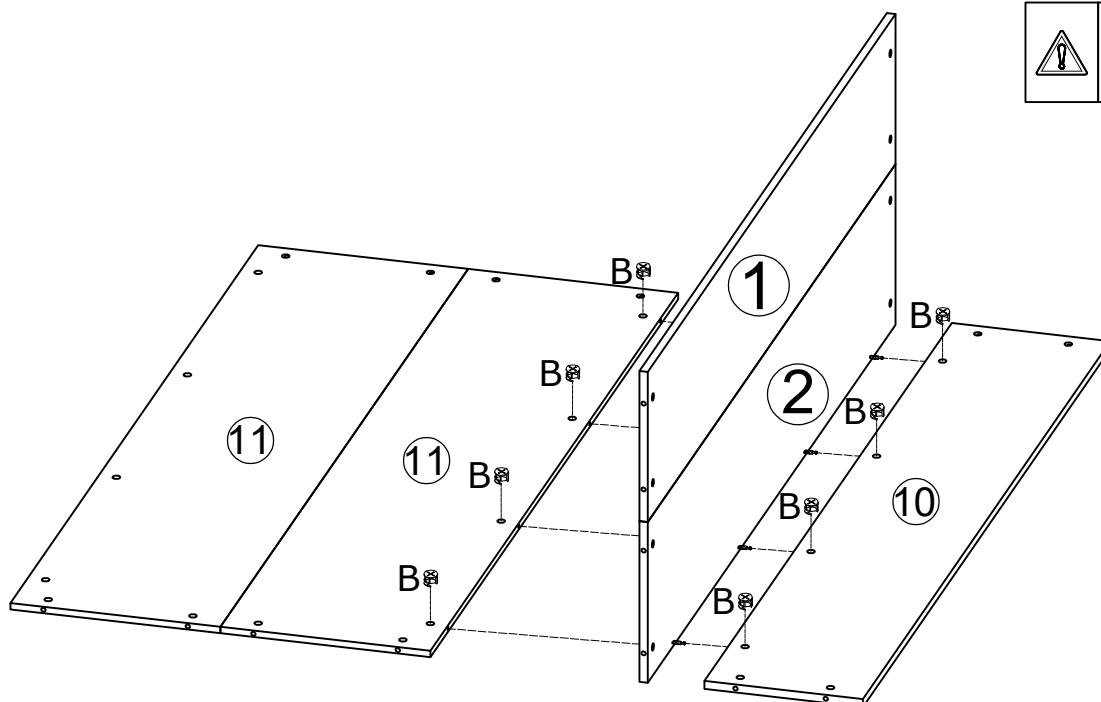
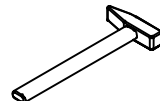
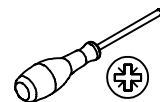


6

B x 8



Ø15 x 10mm

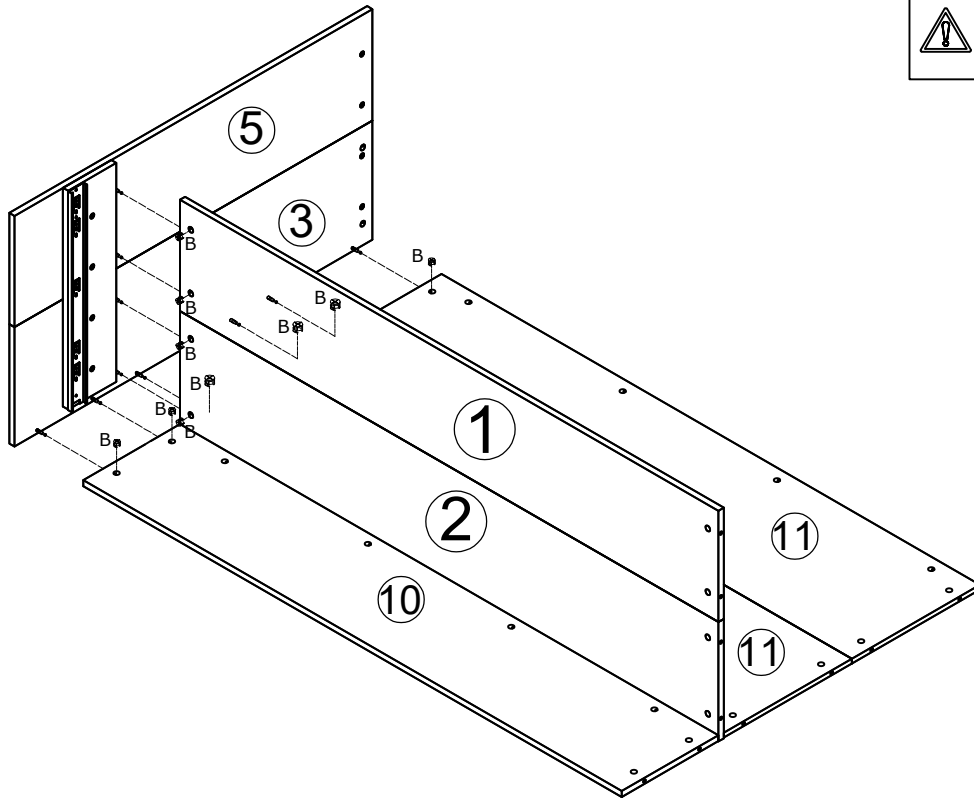
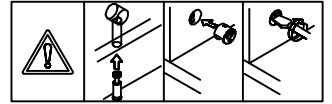
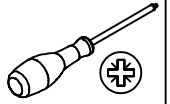


7

B x 10



Ø15 x 10mm

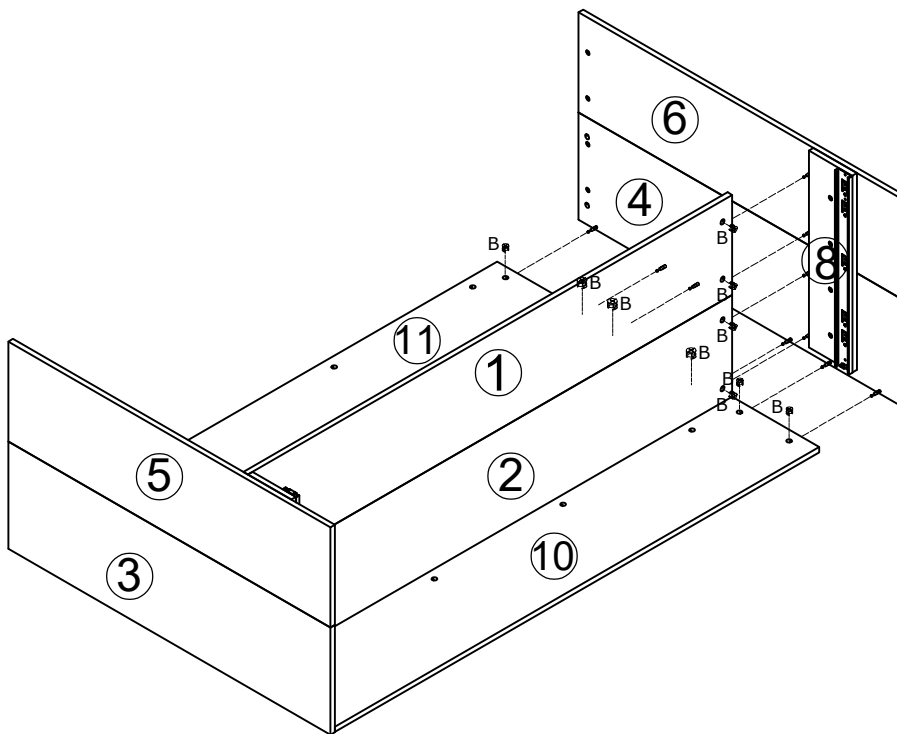
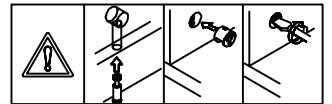
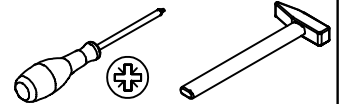


8


B x 10

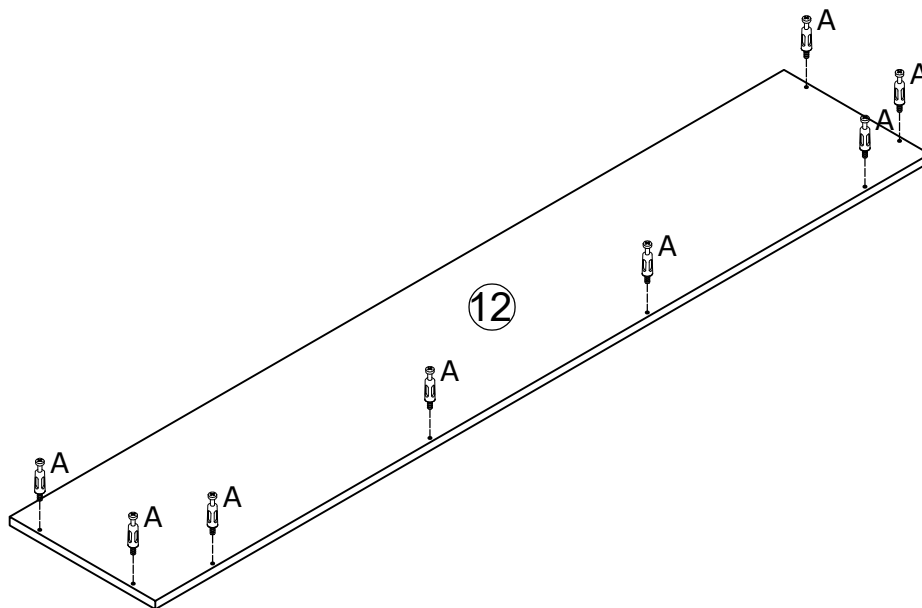
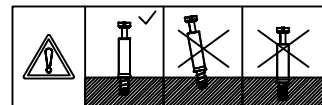
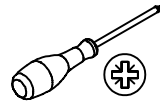


Ø15 x 10mm




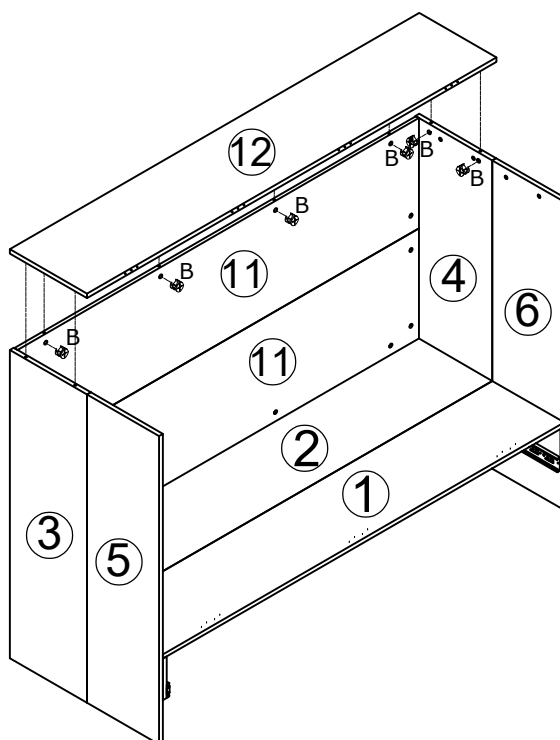
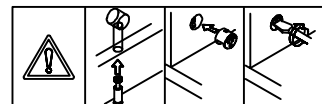
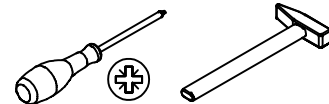
9

A x 8

Ø6 x 28mm



10

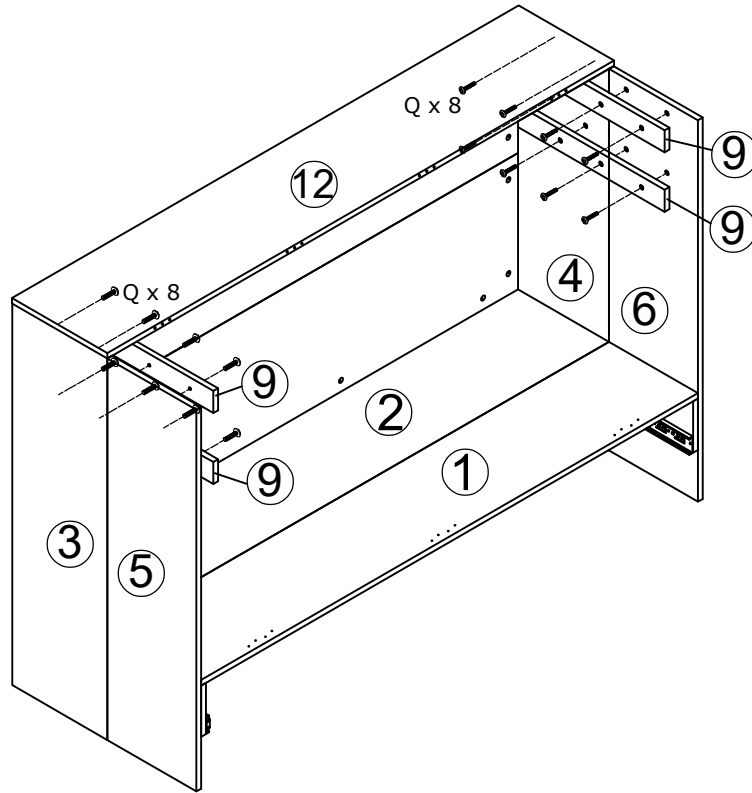
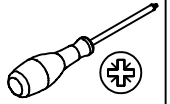
B x 8

Ø15 x 10mm



11

Q x 16
Ø6 x 20mm

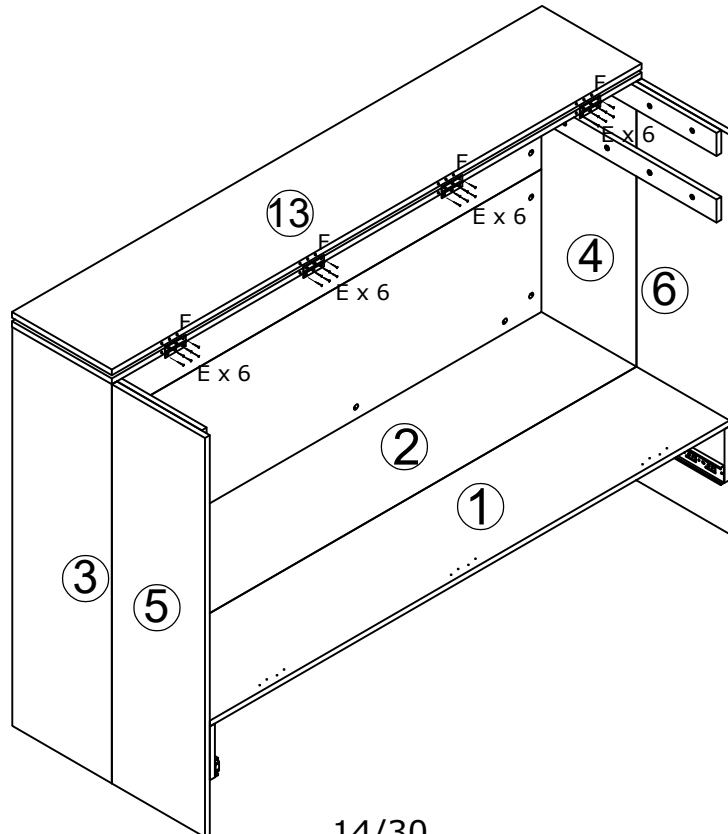
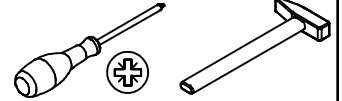
W x 1
M4



12

E x 24
Ø3x 14mm

F x 4
60*38mm



13

H x 4

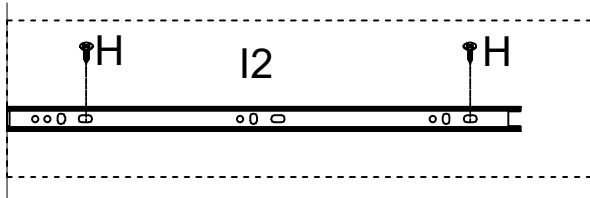
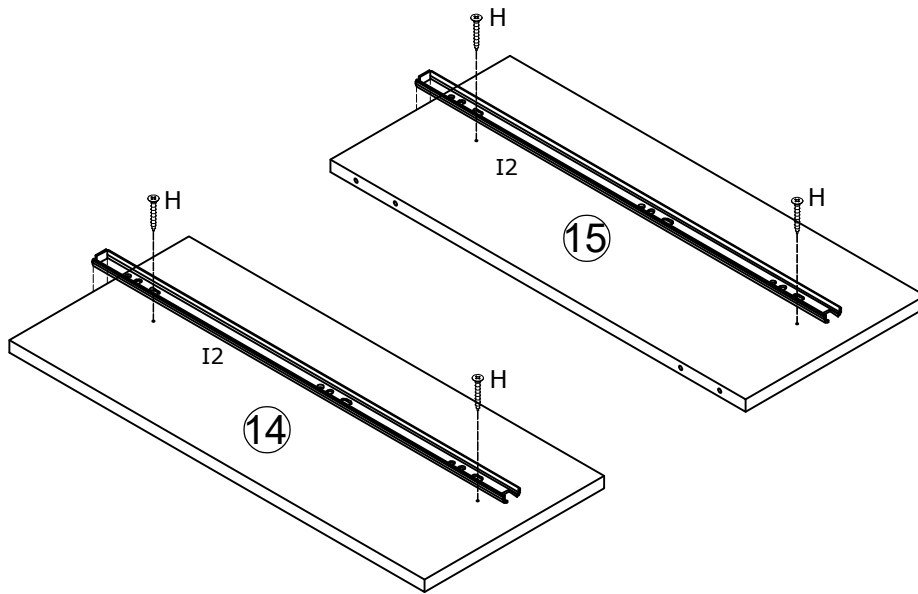
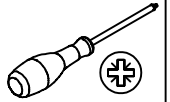


Ø3.5 x 14mm

I x 2



550 mm



14

H x 4



Ø3.5 x 14mm

J x 2

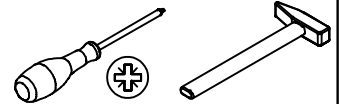


500 mm

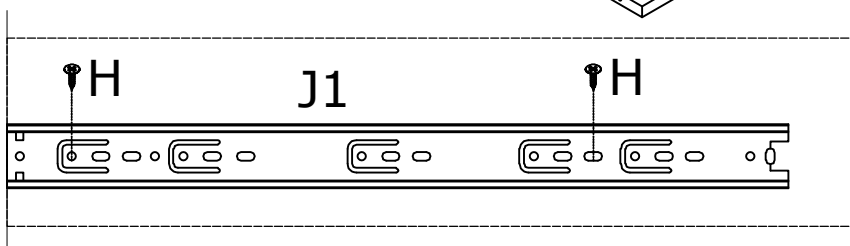
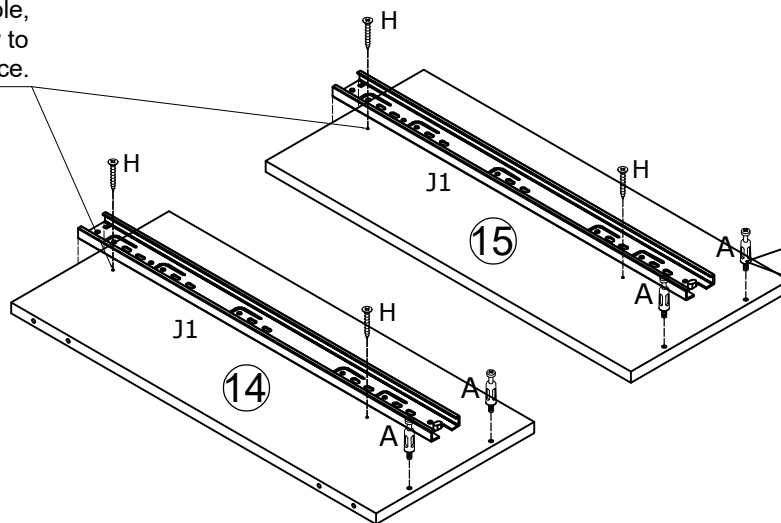
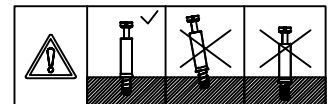
A x 4



Ø6 x 28mm



Start by this drilling the hole,
and then use the screw to
position and secure it in place.



15

B x 4



Ø15 x 10mm

N x 8

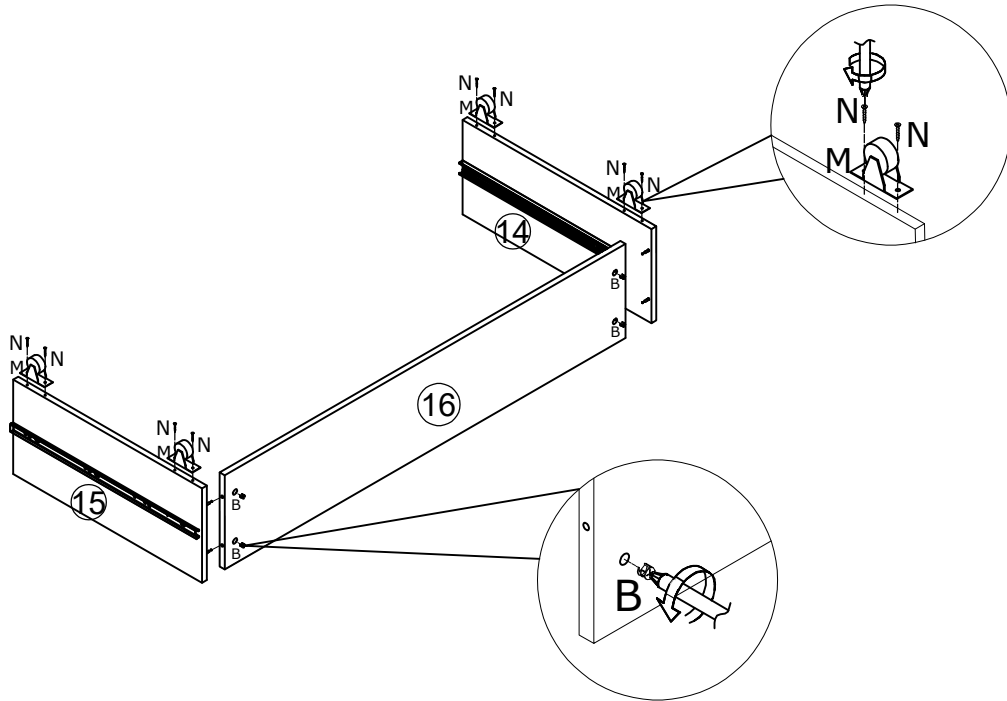
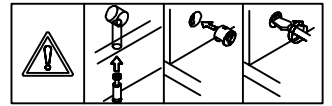
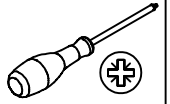


Ø3.5 X 25mm

M x 4



H52mm



16

O x 4

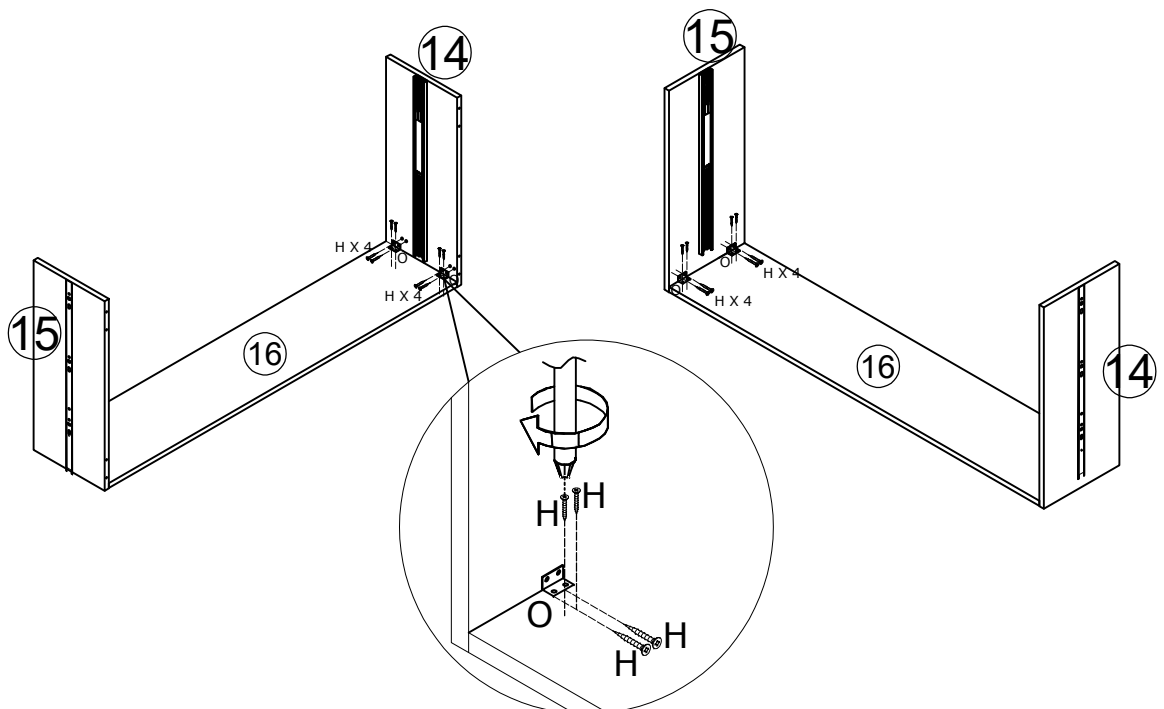
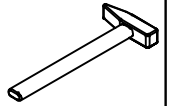
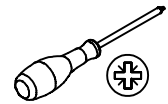


25 x 15 X 15mm

H x 16



Ø3.5 x 14mm



17

H x 4

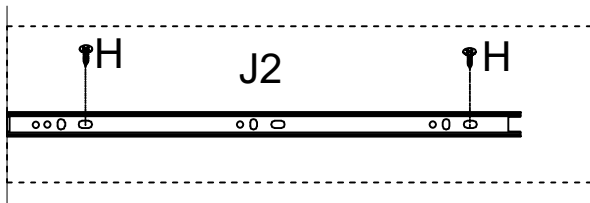
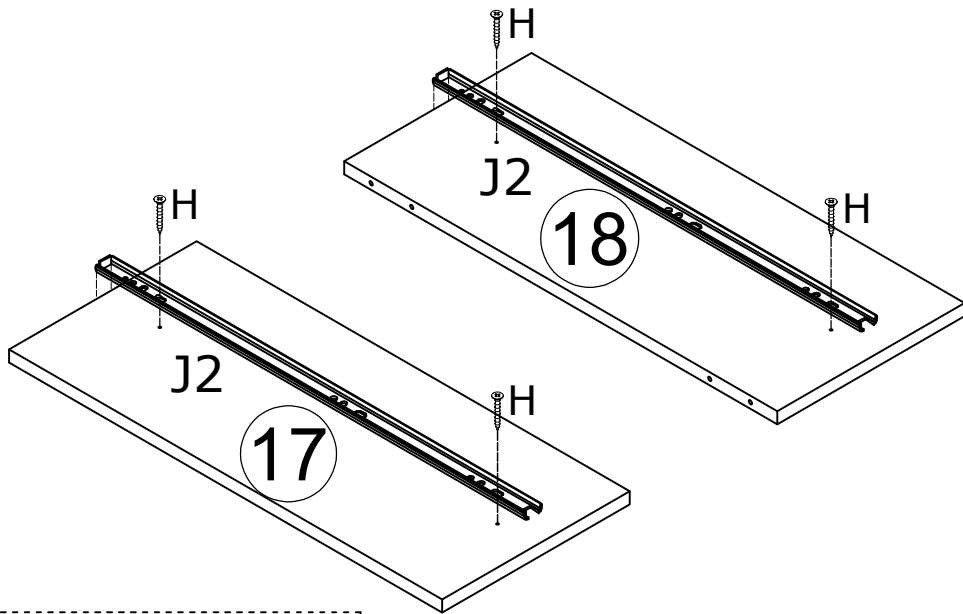
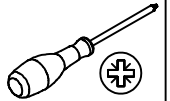


Ø3.5 x 14mm

J x 2



500 mm



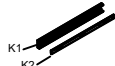
18

H x 4



Ø3.5 x 14mm

K x 2

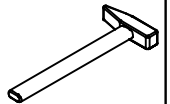
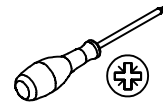


450 mm

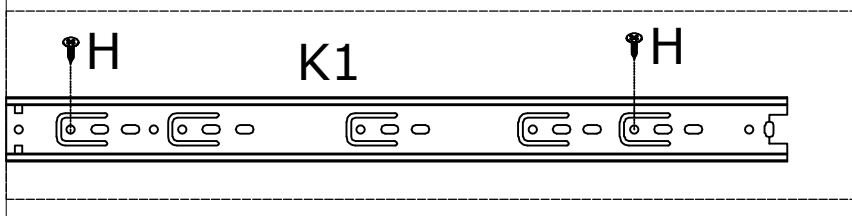
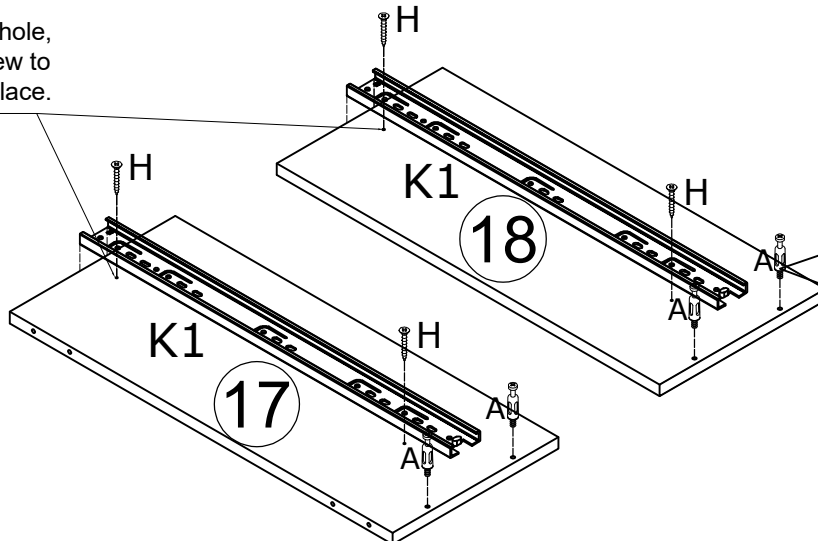
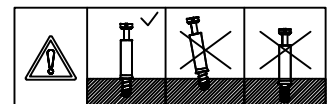
A x 4



Ø6 x 28mm



Start by this drilling the hole,
and then use the screw to
position and secure it in place.



19

B x 4



Ø15 x 10mm

N x 8

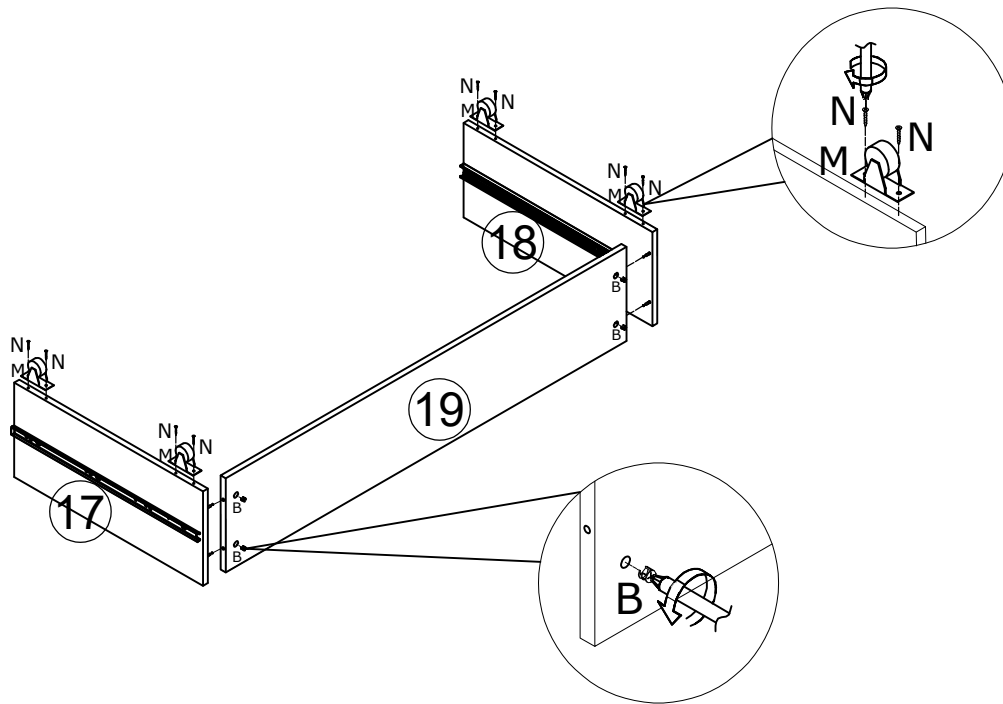
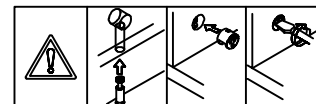
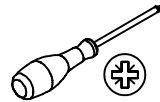


Ø3.5 x 25mm

M x 4



H52mm



20

O x 4

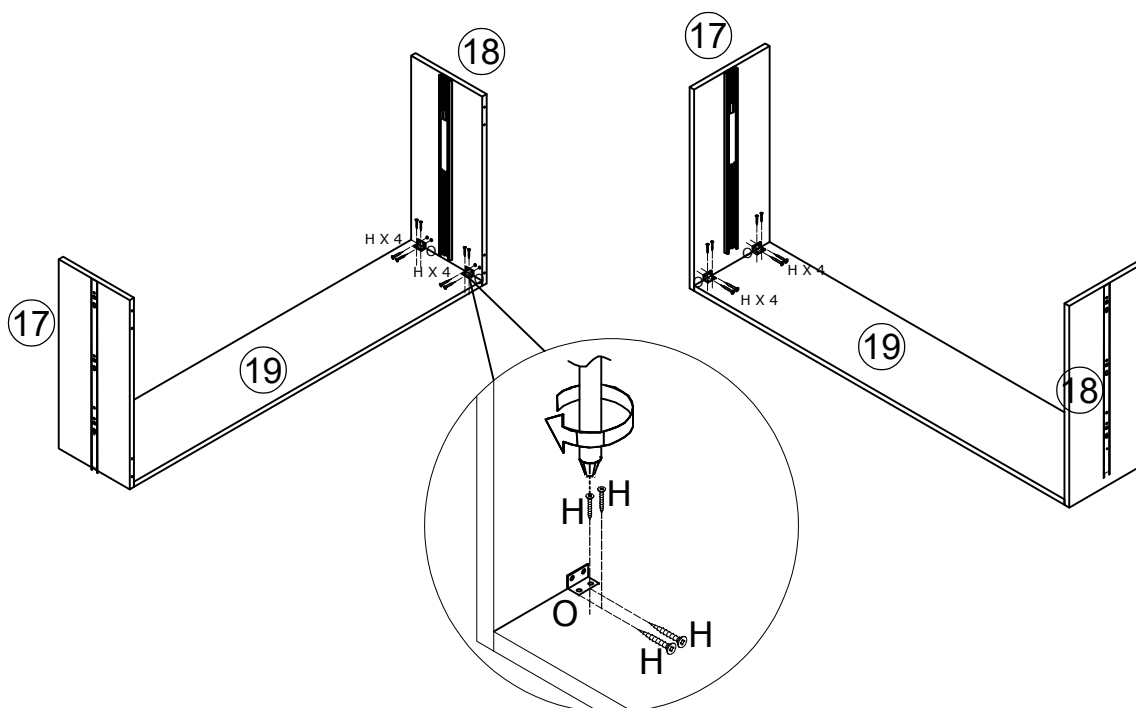
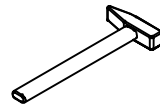
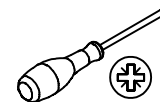


25 x 15 x 15mm

H x 16



Ø3.5 x 14mm



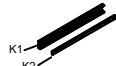
21

H x 4

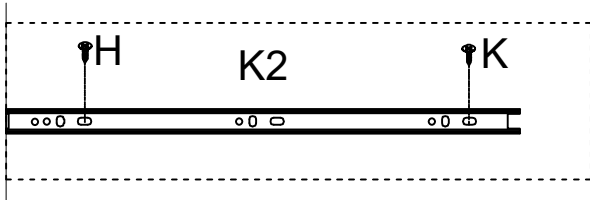
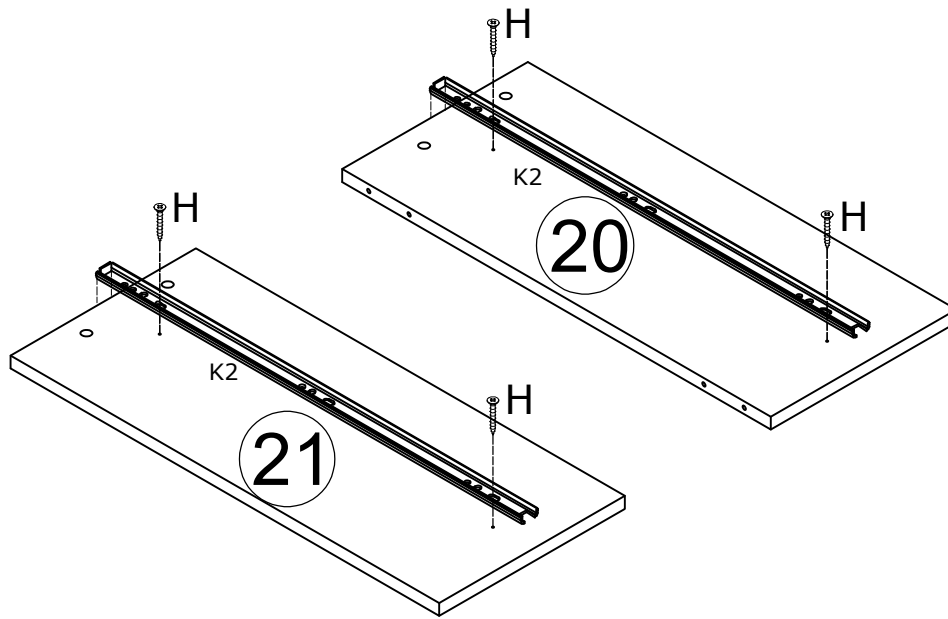
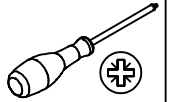


Ø3.5 x 14mm

K x 2



450mm

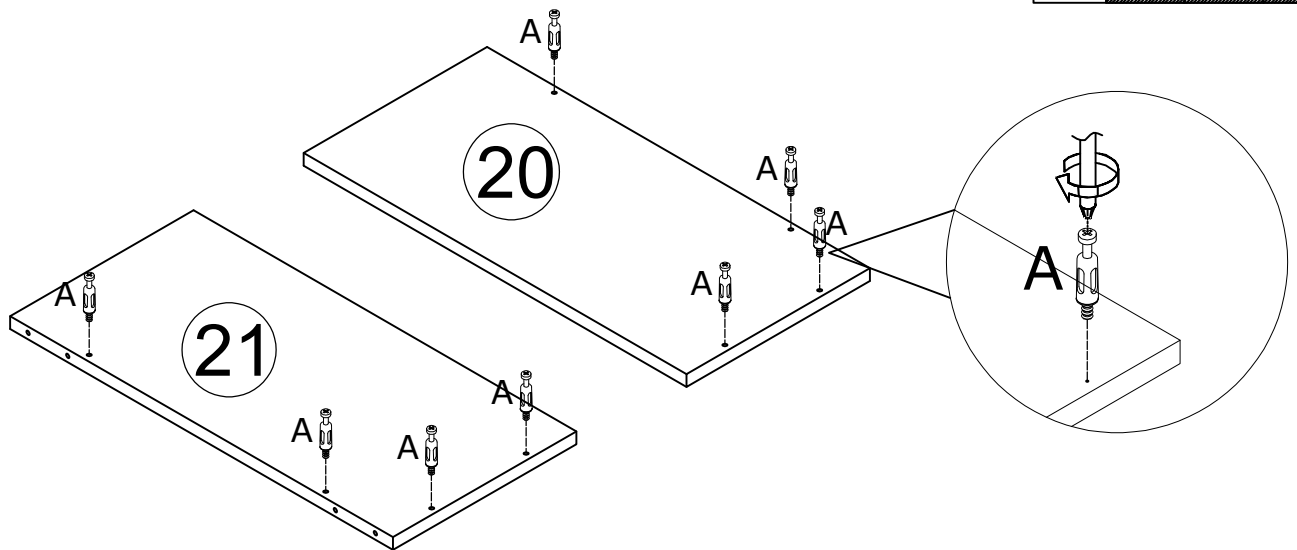
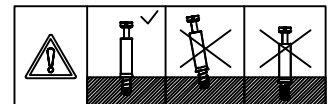
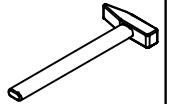
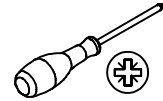


22

A x 8



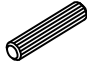
Ø6 x 28mm

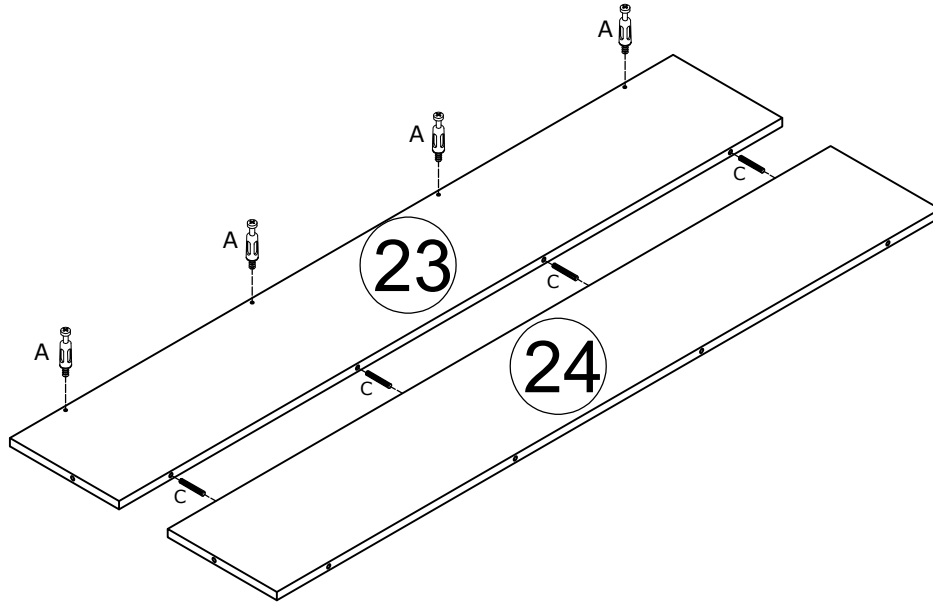
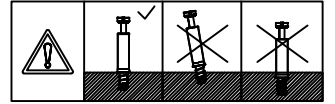
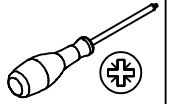


23


A x 4

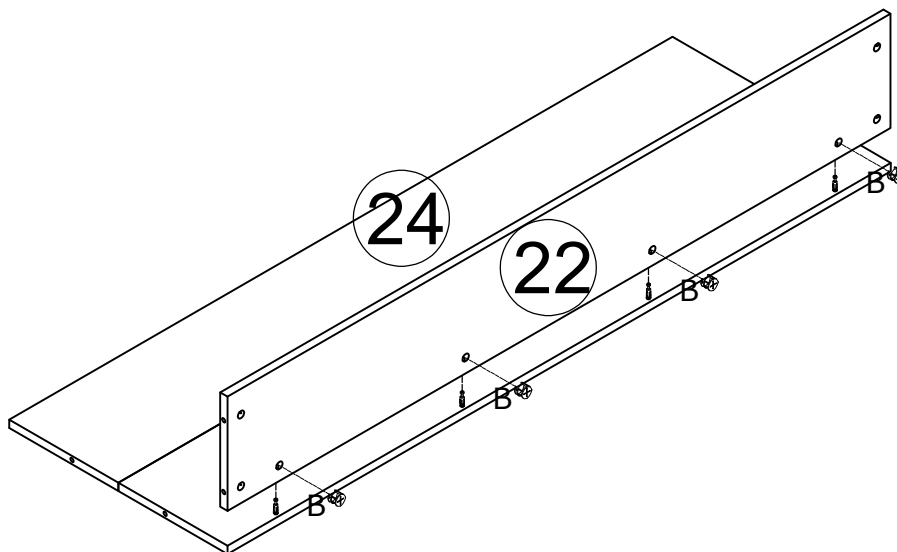
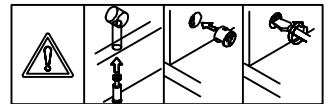
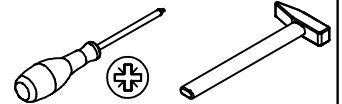
Ø6 x 28mm

C x 4

Ø8 x 40mm



24

B x 4

Ø15 x 10mm

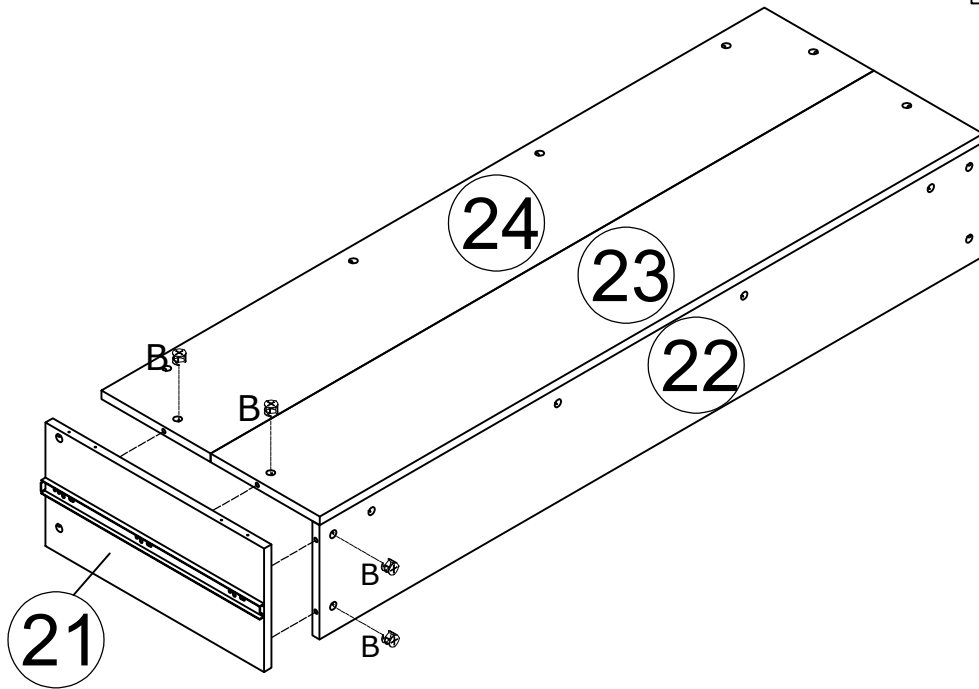
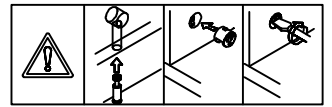
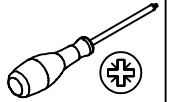


25

B x 4



Ø15 x 10mm

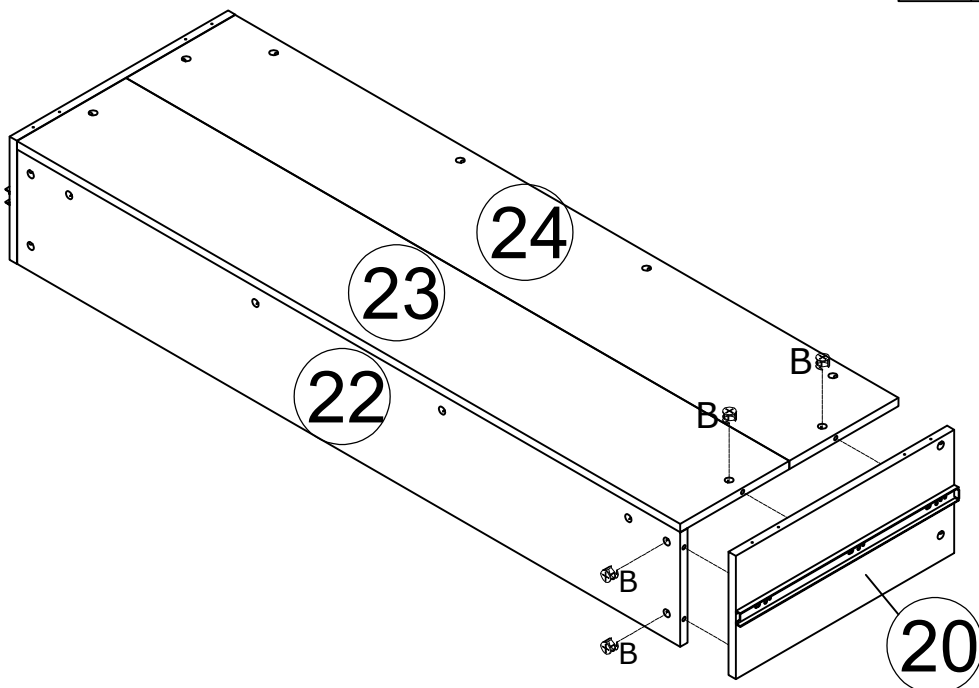
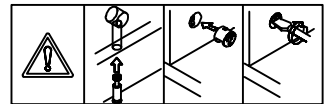
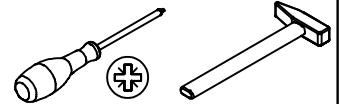


26

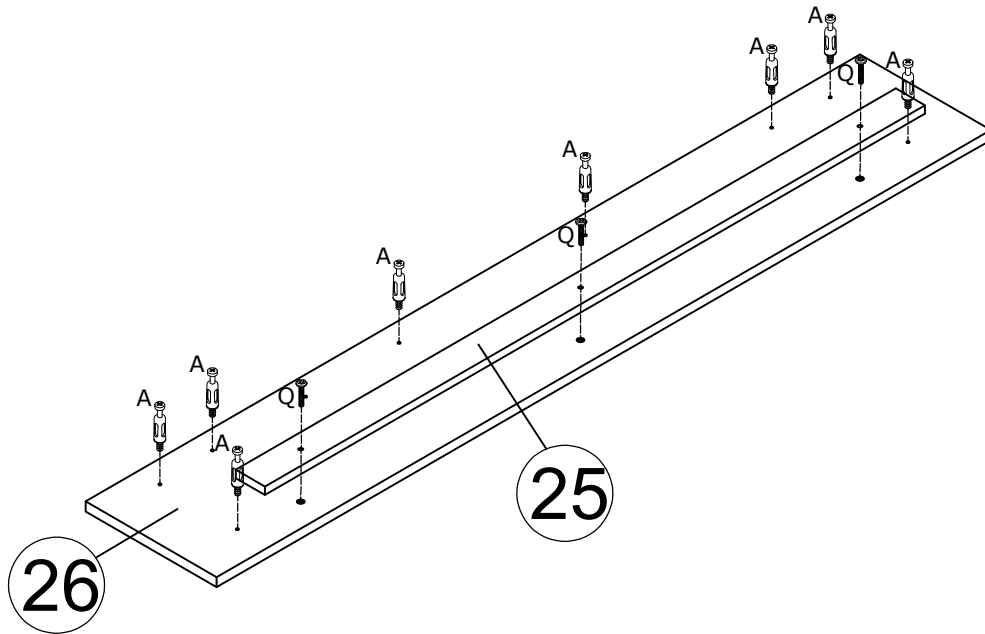
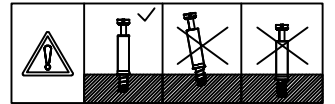
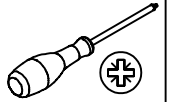
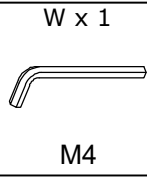
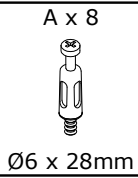
B x 4



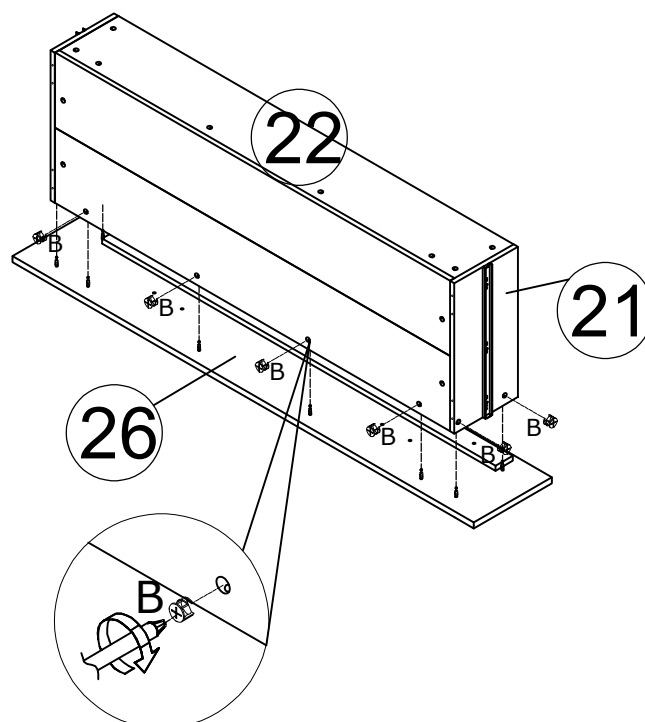
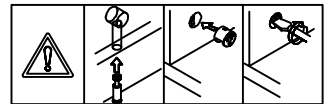
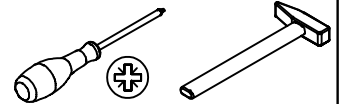
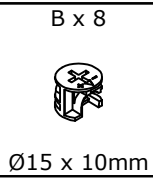
Ø15 x 10mm



27



28



29

N x 8

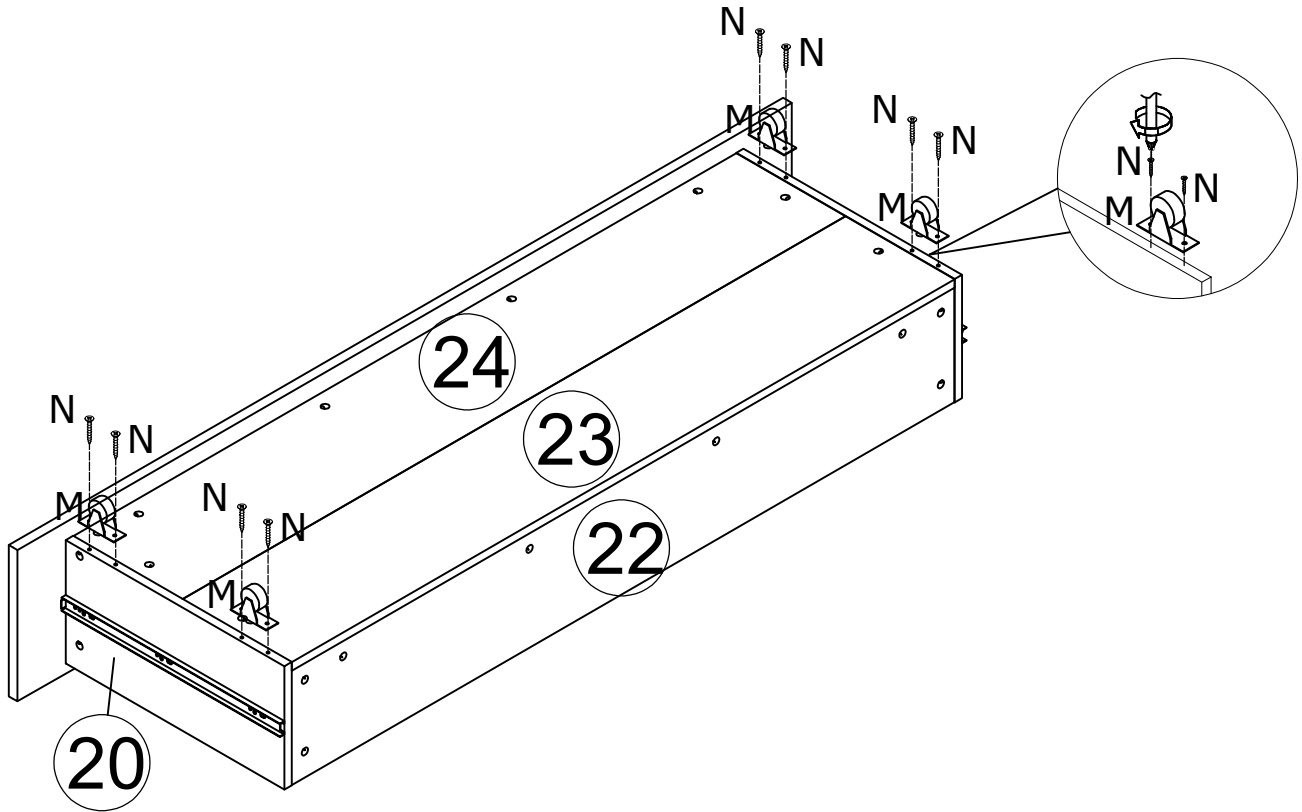
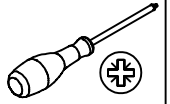


Ø3.5 x 25mm

M x 4



H52mm



30

U x 2

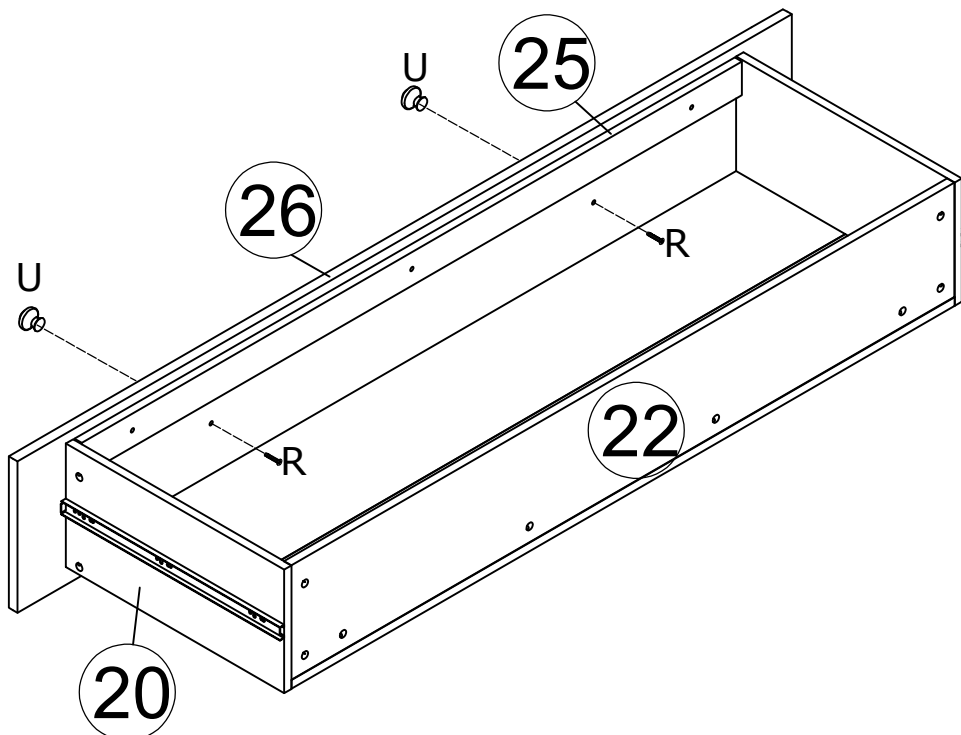
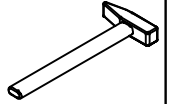
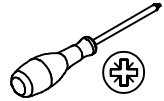


96mm

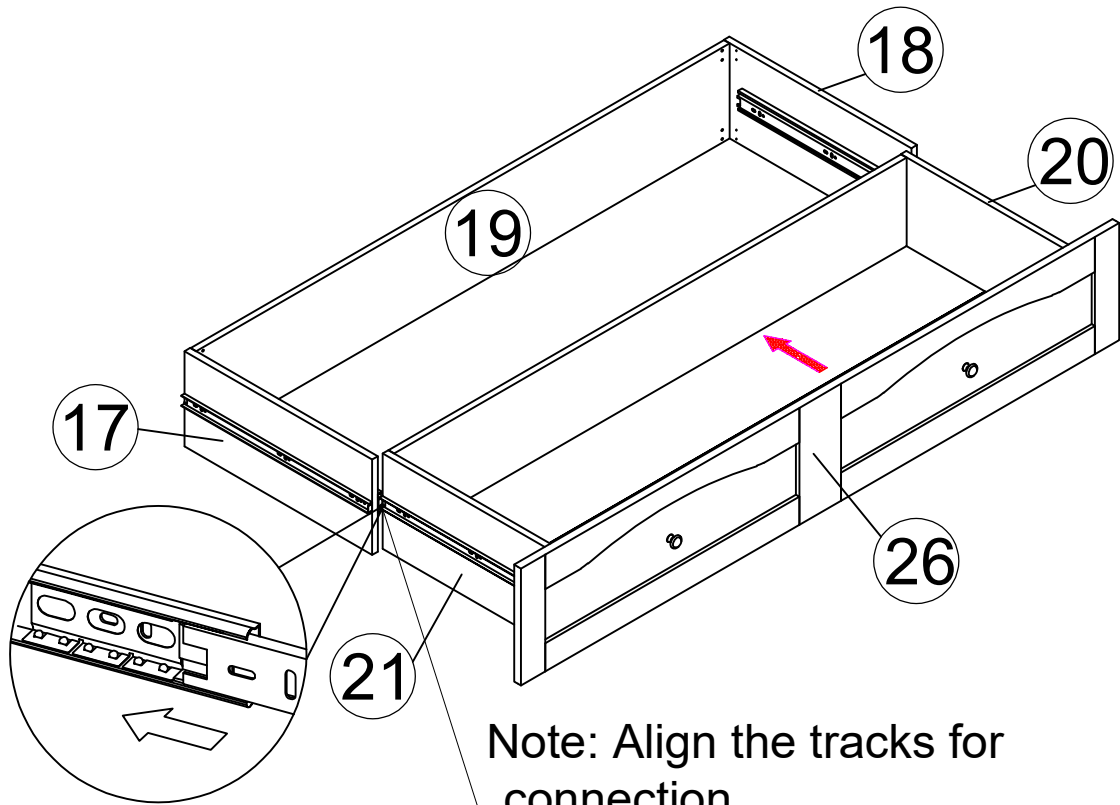
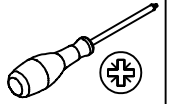
R x 2



Ø4 x 12mm

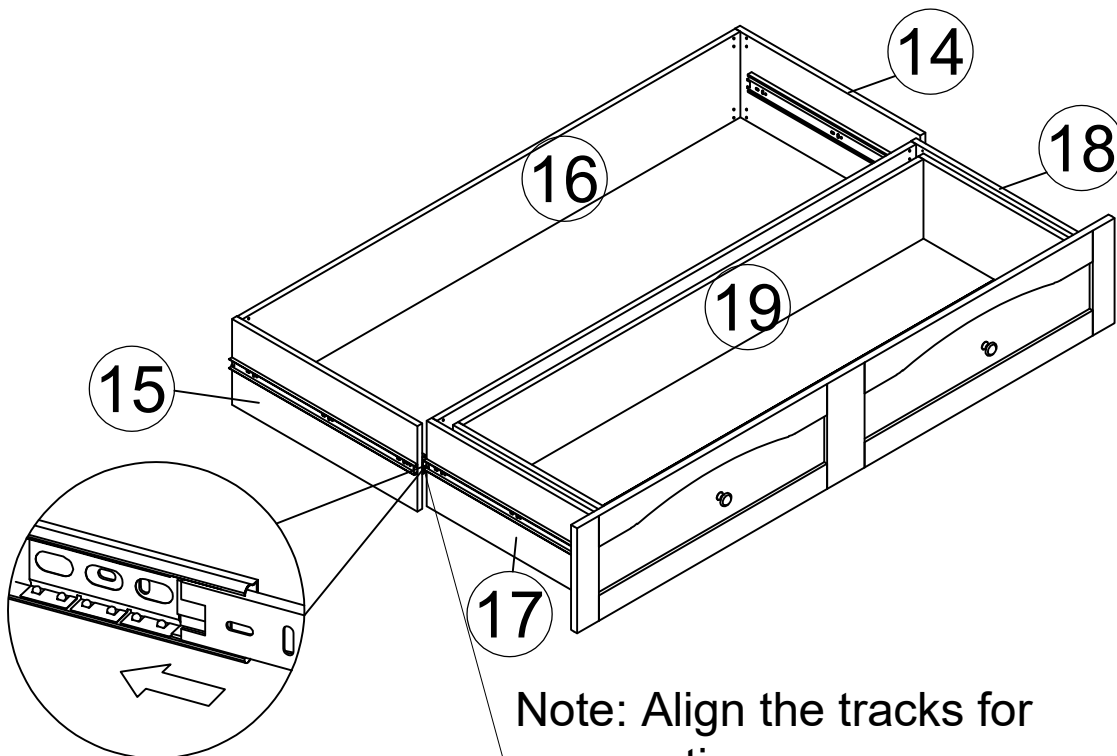
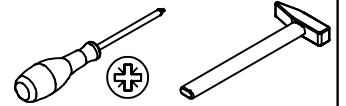


31



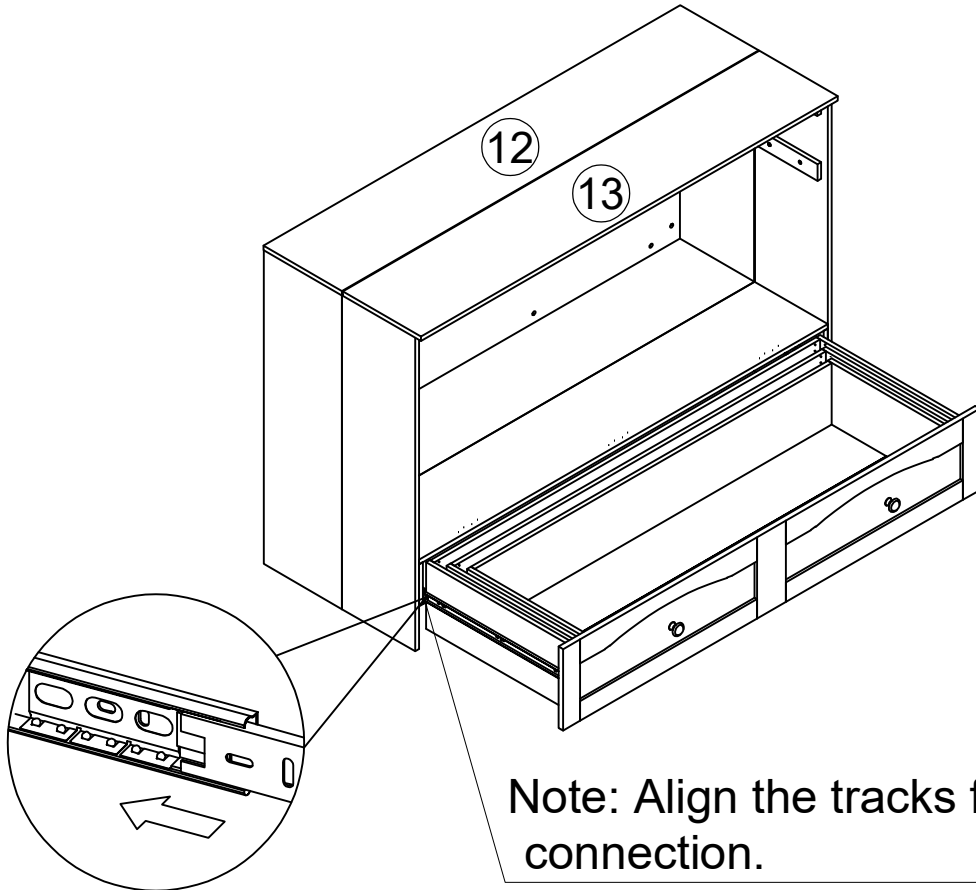
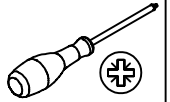
Note: Align the tracks for connection.

32



Note: Align the tracks for connection.

33



Note: Align the tracks for connection.

34

C x 5



Ø8 x 40mm

H x 12

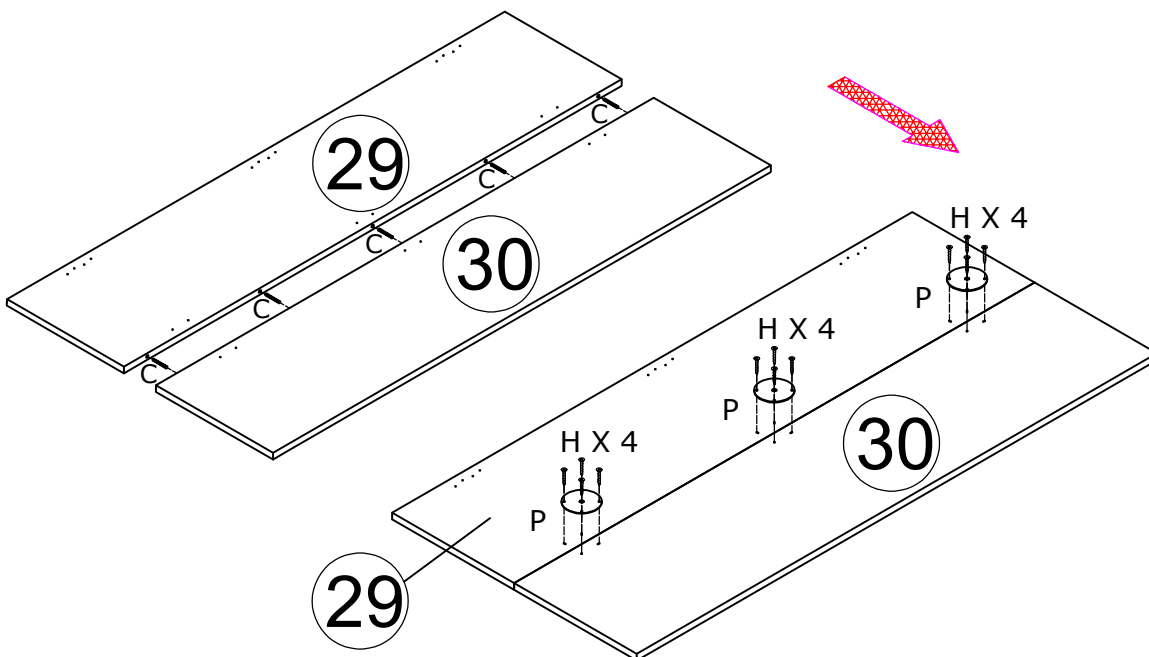
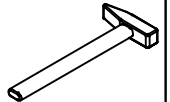
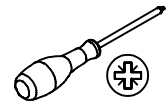


Ø3.5 x 14mm

P x 3



Ø80 x 2mm



35

T x 2

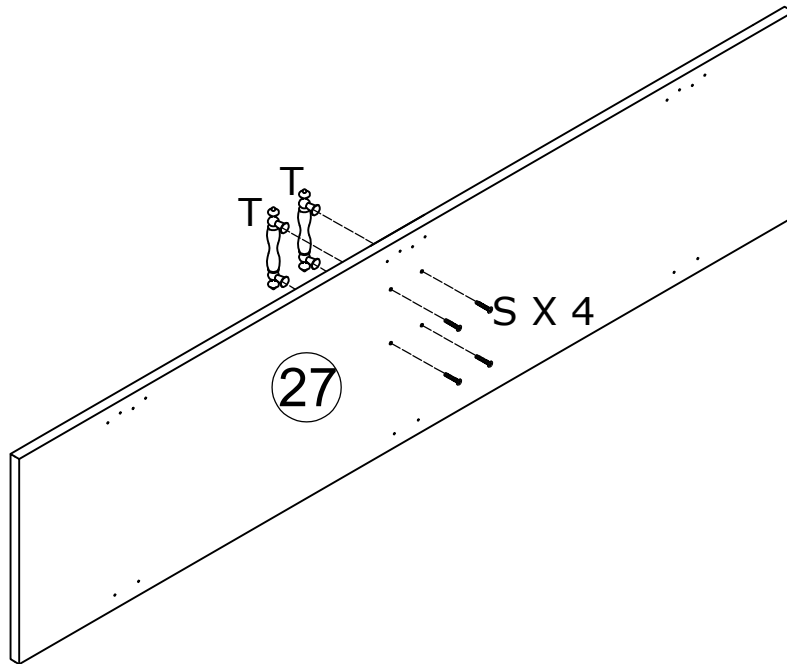
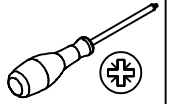


96mm

S x 4



Ø4 x 22mm



36

C x 5



Ø8 x 40mm

H x 12

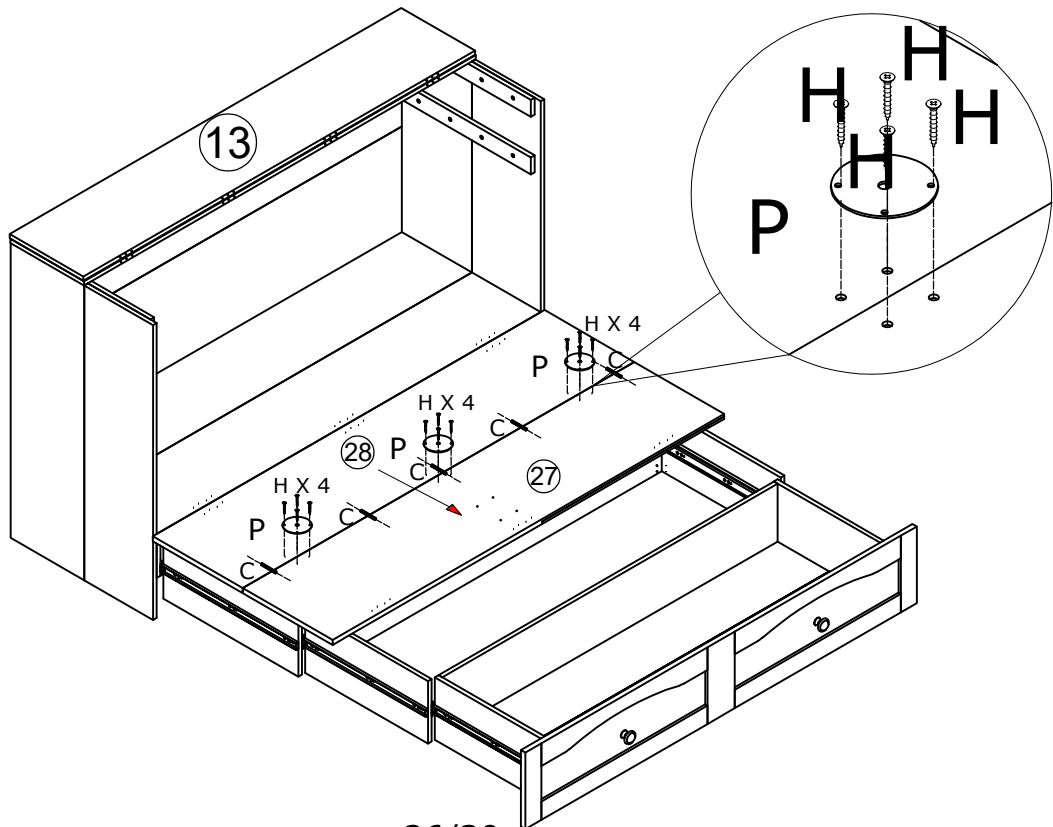
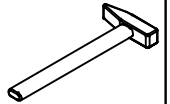
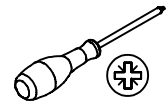


Ø3.5 x 14mm

P x 3



Ø80 x 2mm



26/30

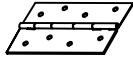
37

V x 48

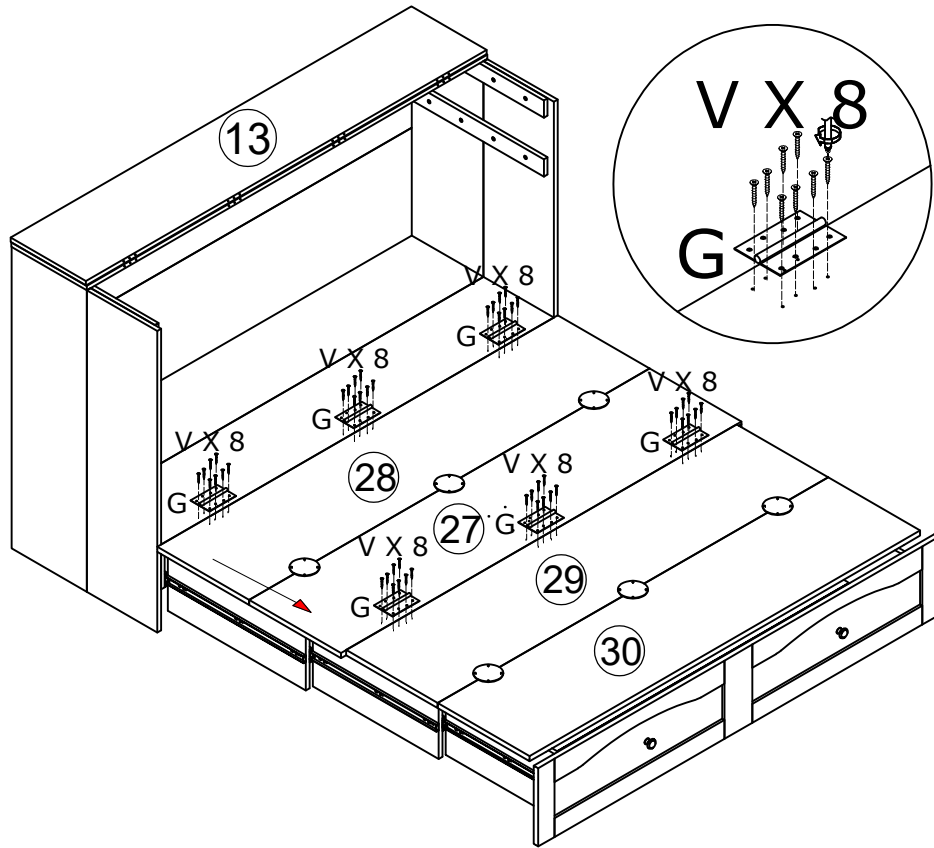
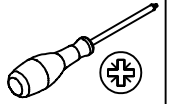


Ø4 x 14mm

G x 6



100 x 70mm



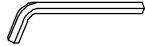
38

X x 4

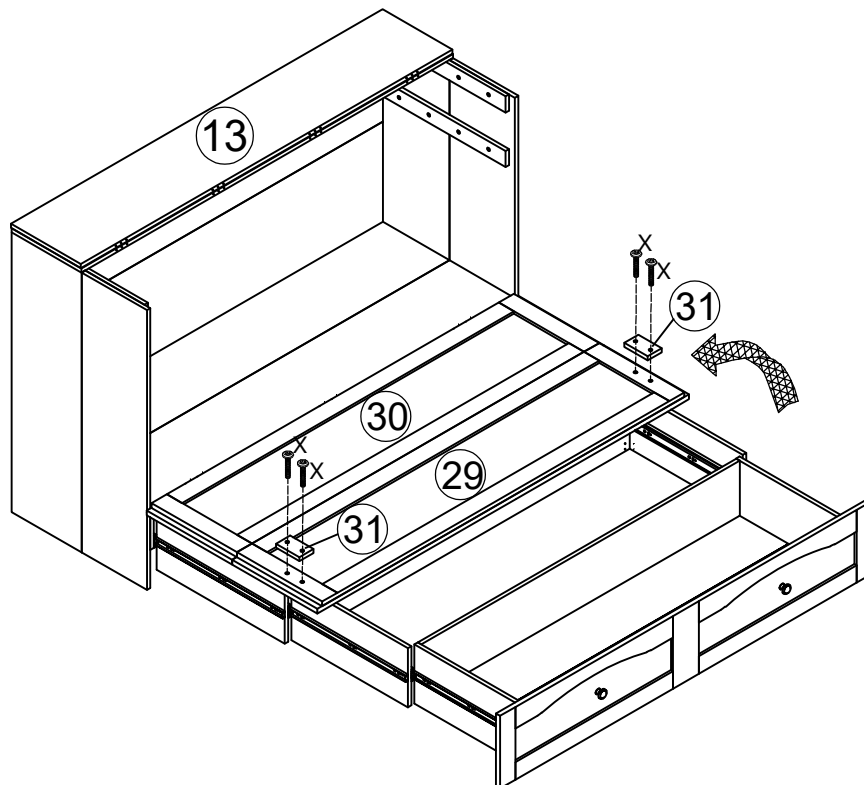
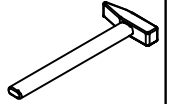
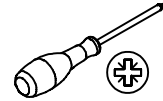


Ø6*30mm

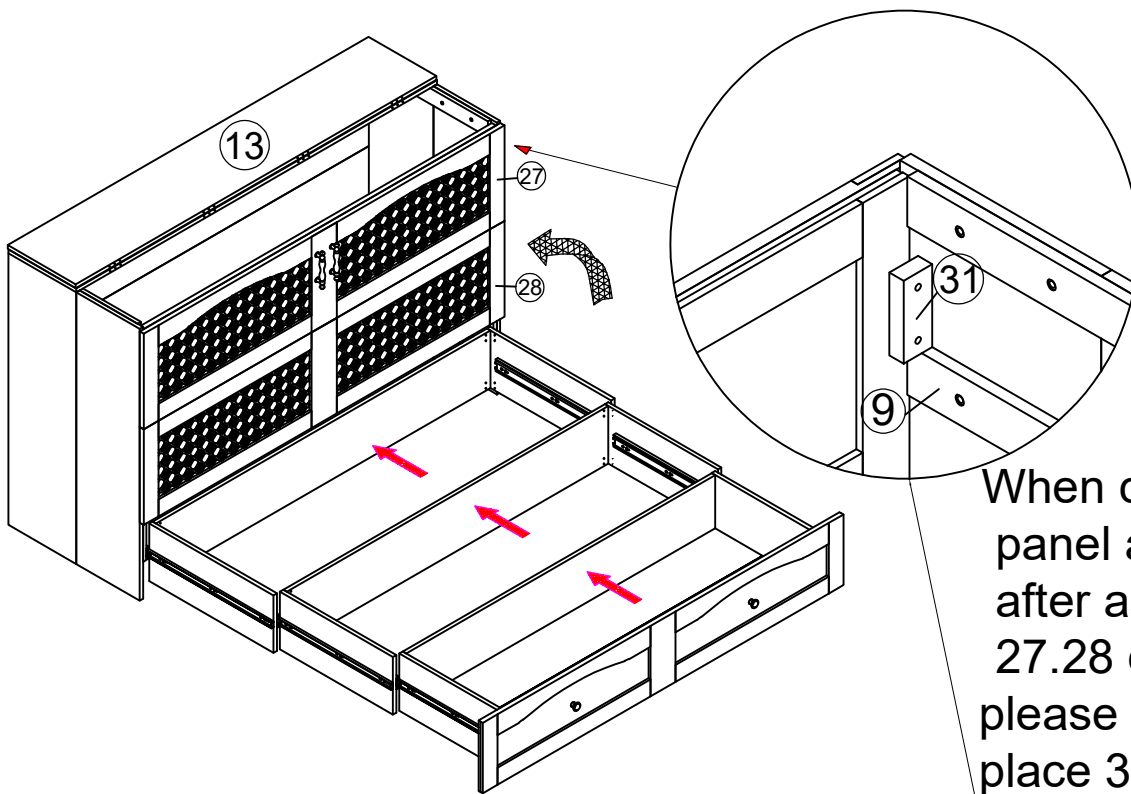
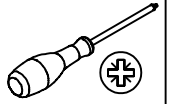
W x 1



M4



39



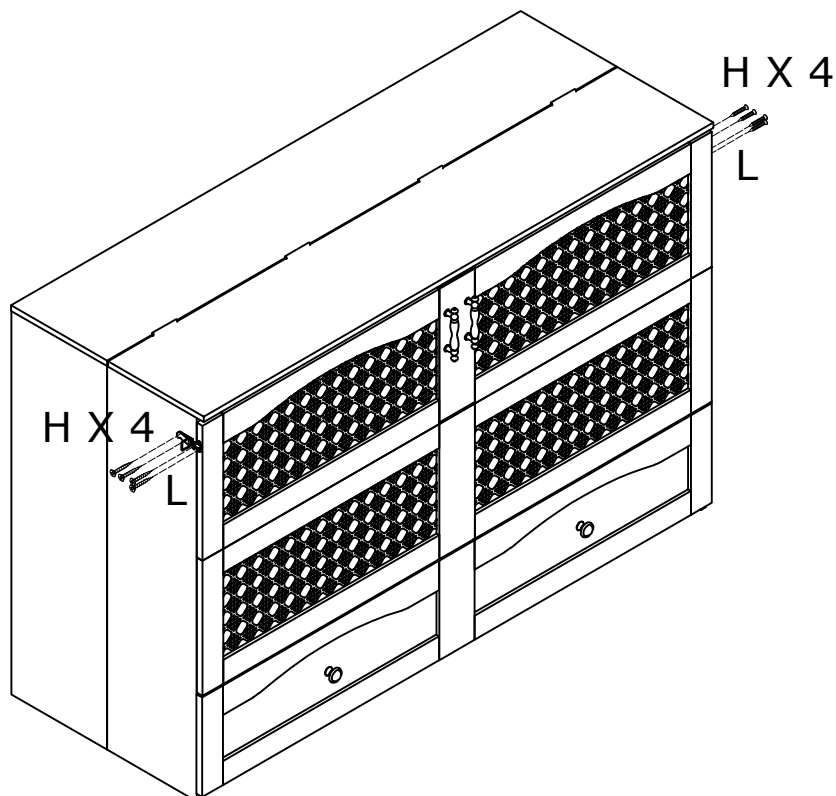
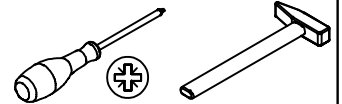
When closing the door panel and cabinet body after assembling the 27.28 combination, please lift gently to place 31 on top of 9

40

H x 8
Ø3.5 x 14mm

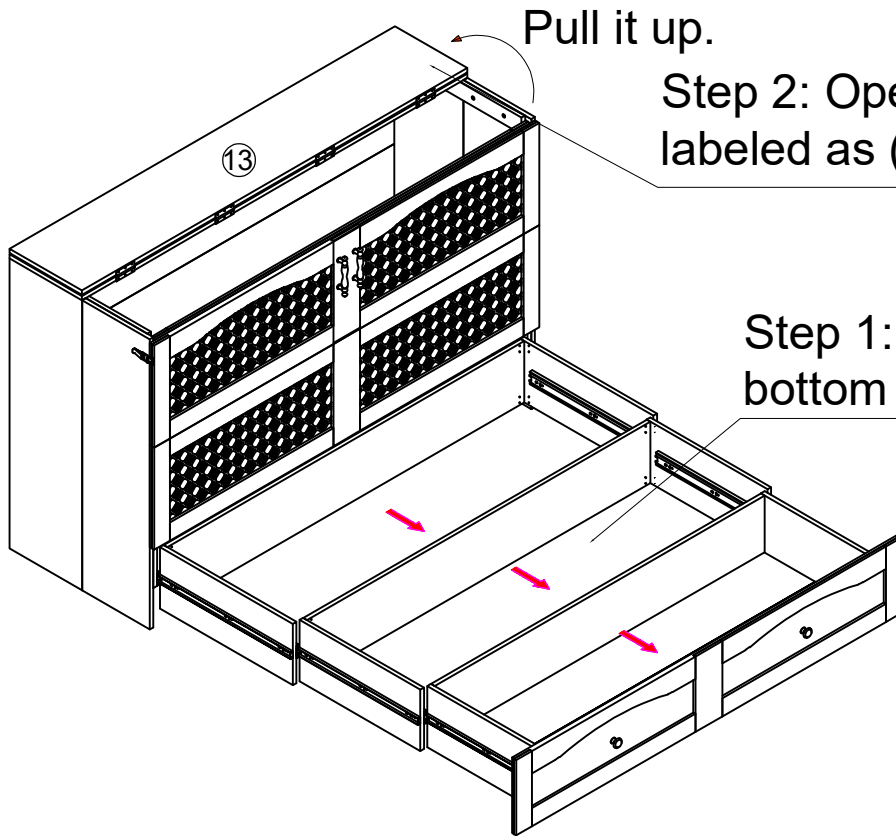
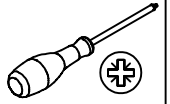


L x 2
L1 L2



OK

41

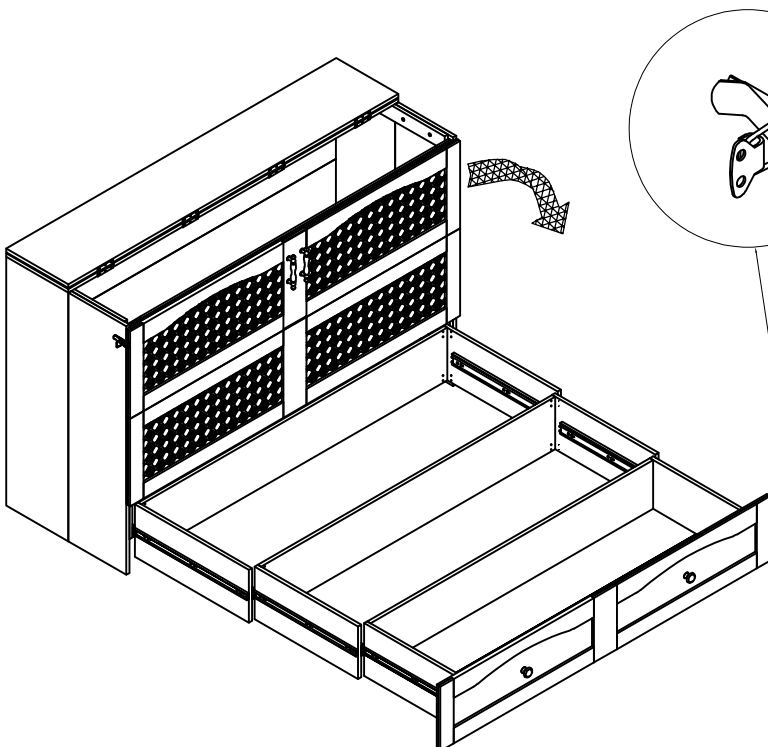
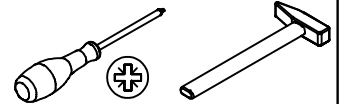


Pull it up.

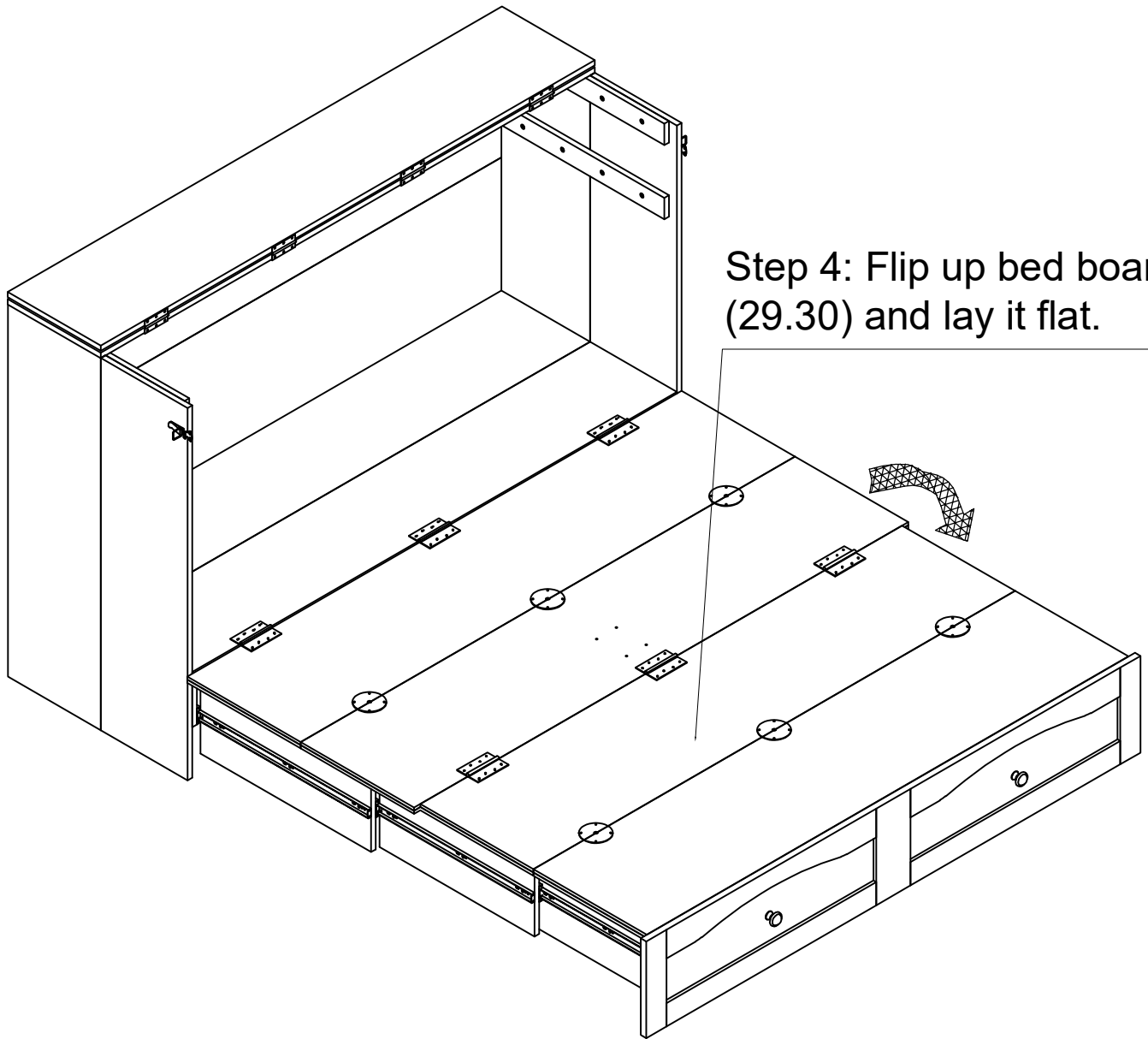
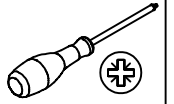
Step 2: Open the top cover, labeled as (13).

Step 1: First, pull out the bottom drawer.

42



Step 3: Lift the latch cover and open it. simultaneously, and gently place them on the bed board (labeled as 27.28 and 29.30).



Step 4: Flip up bed board (29.30) and lay it flat.