










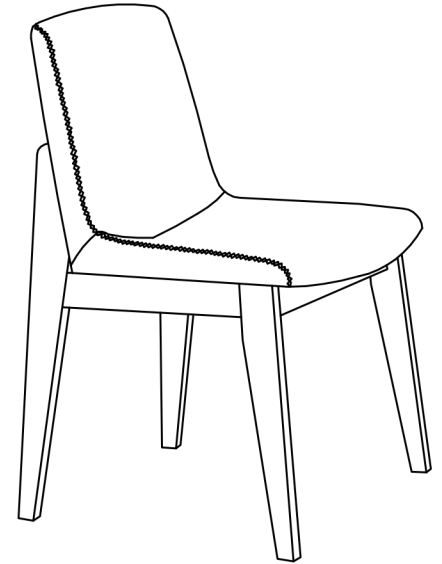


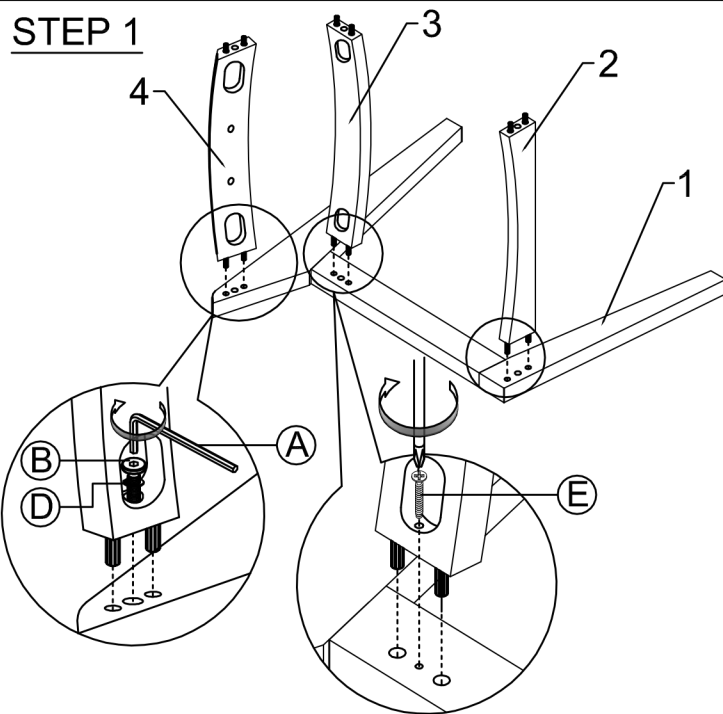
# ASSEMBLY INSTRUCTIONS

ITEM	PART NAME	QTY
1	Back Rest & Front Leg L & R 	2 PCS
2	Front Apron 	1 PC
3	Seat Apron 	1 PC
4	Back Rest Apron 	1 PC
5	Cushion Seat 	1 PC

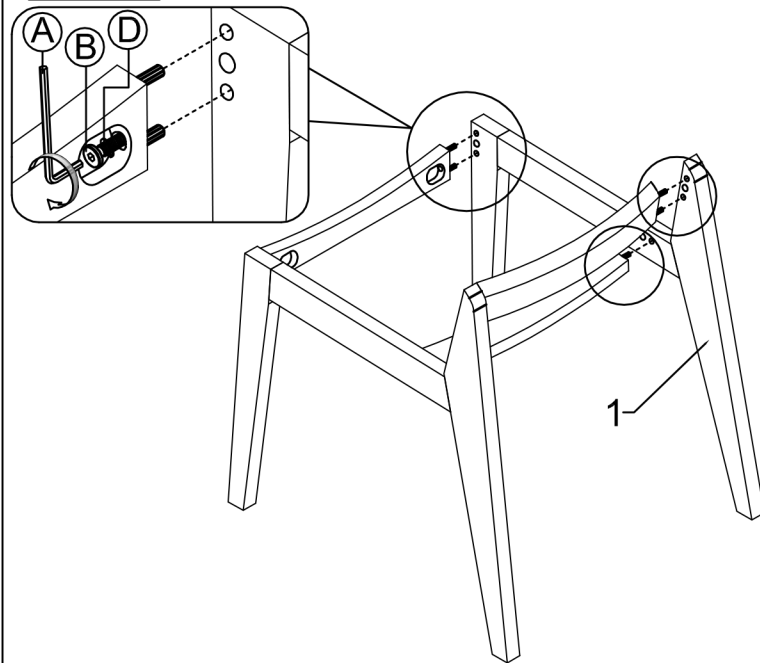
ITEM	HARDWARE NAME	DESCRIPTION	QTY
A	ALLEN KEY		1 PC
B	JCBC BOLT M6x50mm		4 PCS
C	JCBC BOLT M6x30mm		2 PCS
D	SPRING WASHER		6 PCS
E	CSK SCREW M4x32mm		8 PCS
F	WOOD BUTTON		2 PCS



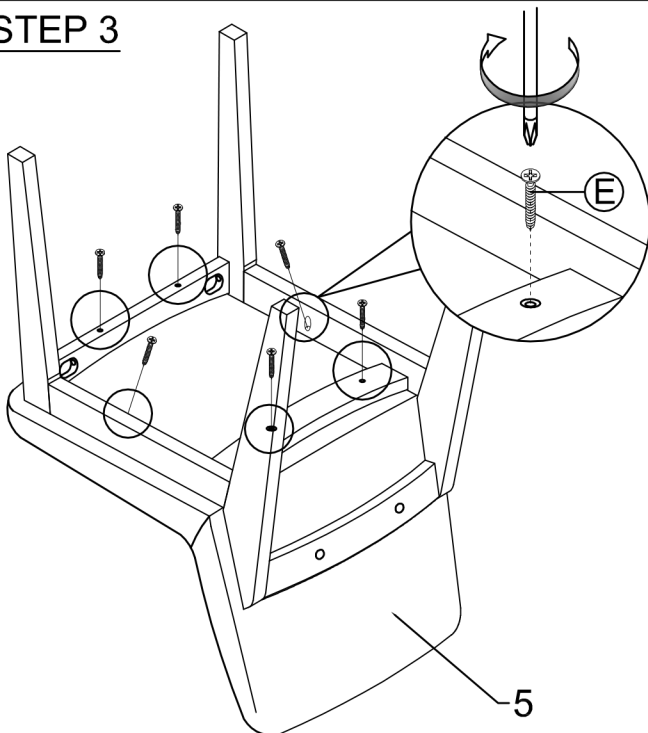
## STEP 1



## STEP 2



## STEP 3



## STEP 4

