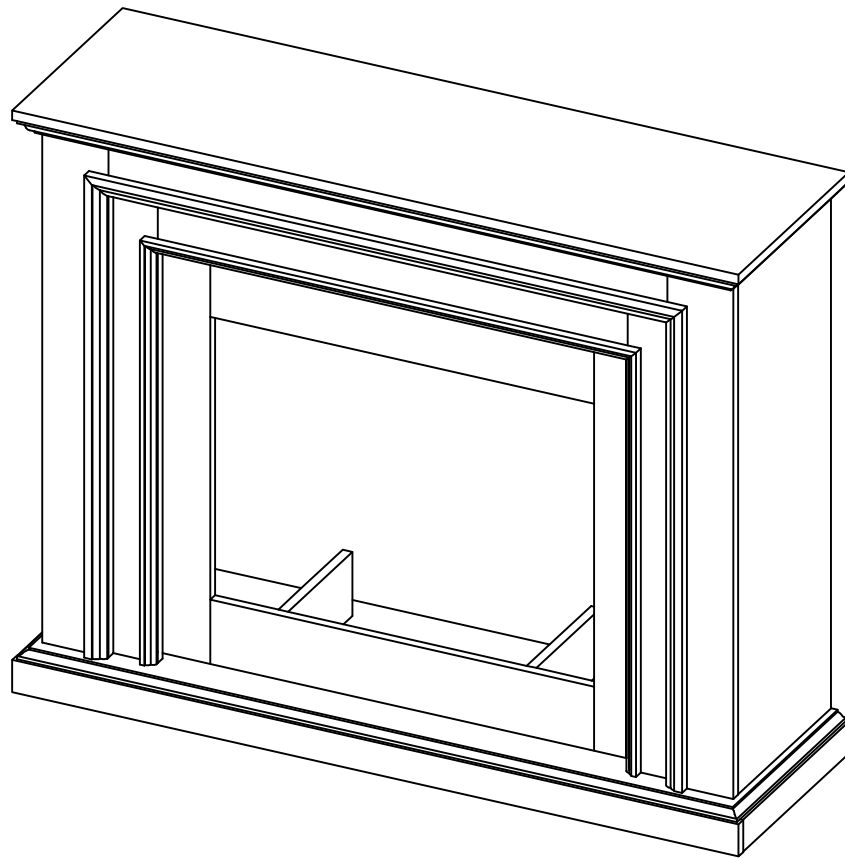


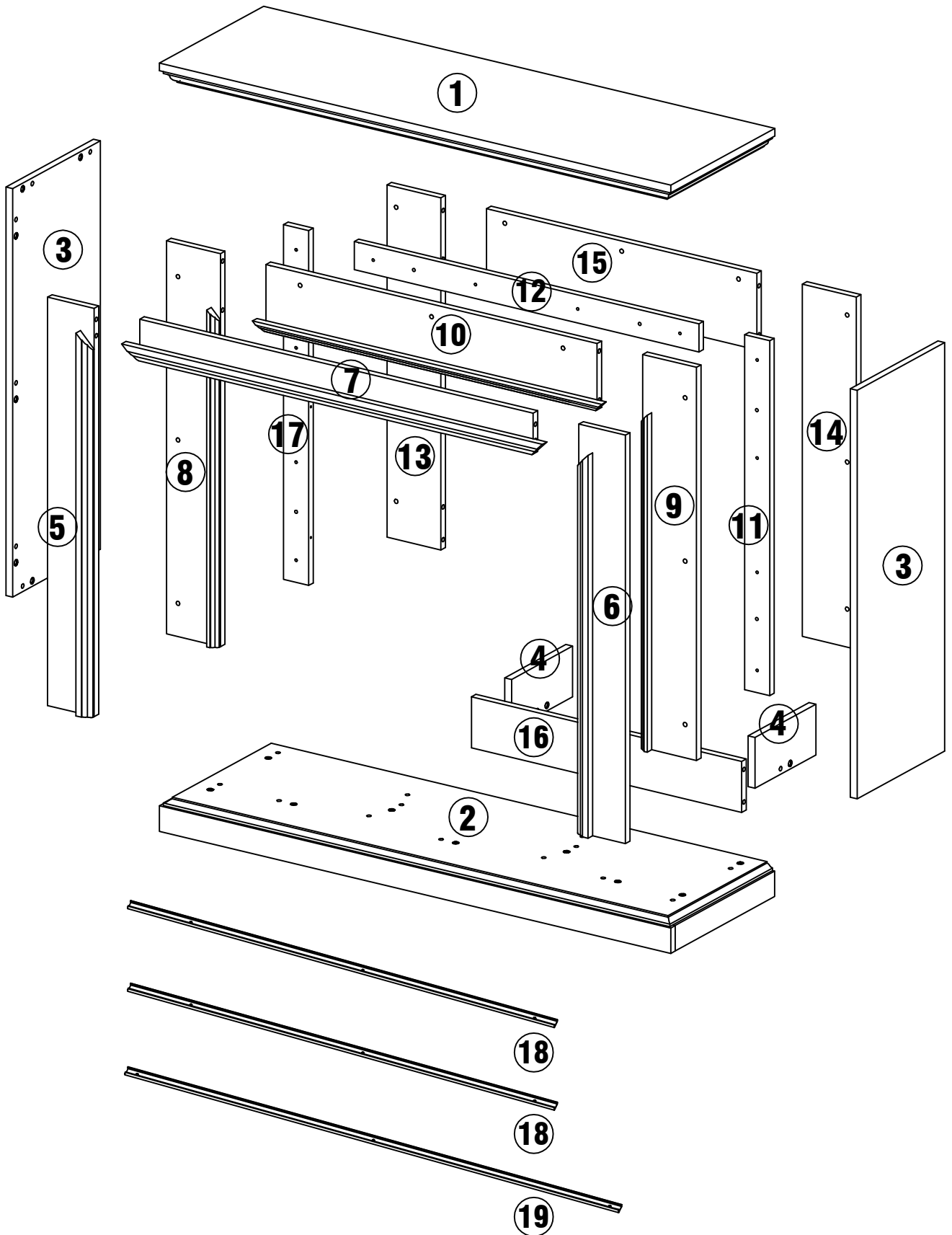
ASSEMBLY INSTRUCTIONS

ITEM:SKU220093/94



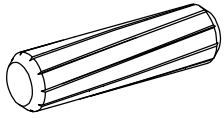
Email:weipufurniture@gmail.com

PACKAGE INCLUDE



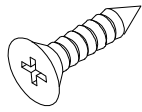
PACKAGE CONTENT

φ8X30MM



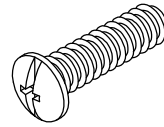
A

20X+1



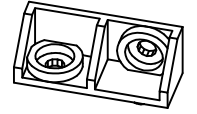
B

12X



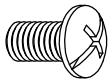
C

18X+1



D

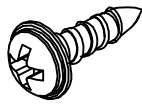
22X+1



E

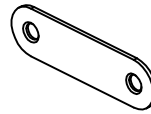
44X+1

φ3.5X12MM



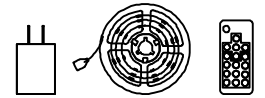
F

25X+1



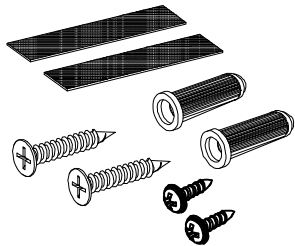
G

8X



H

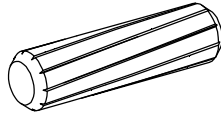
1X



J

1X

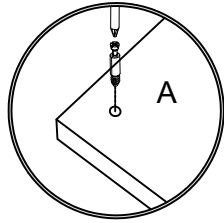
φ8X20MM



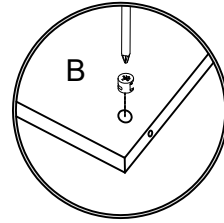
K

6X

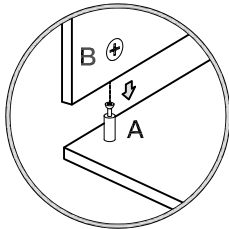
How to use the cam lock system



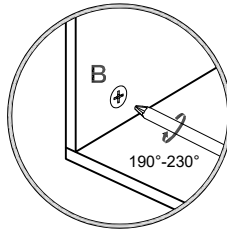
1. Screw cam bolt into panel



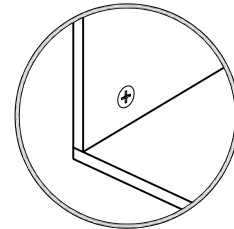
2. Push cam into panel - arrow feature on cam top points to panel edge



3. Align cam bolt(s) with cam(s) and insert all the way into cross-bored hole(s)

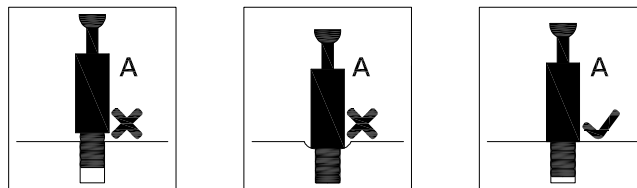
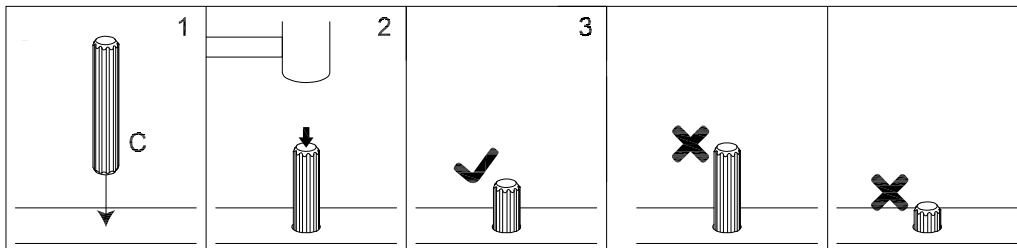


4. Rotate cam(s) clockwise 190°-230° to lock panels together



5. Panels should be tight against each other and connection should be rigid

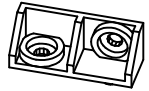
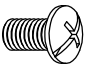
Insert the wood dowel [C] at least half way by tapping lightly with a rubber mallet, IF NECESSARY.

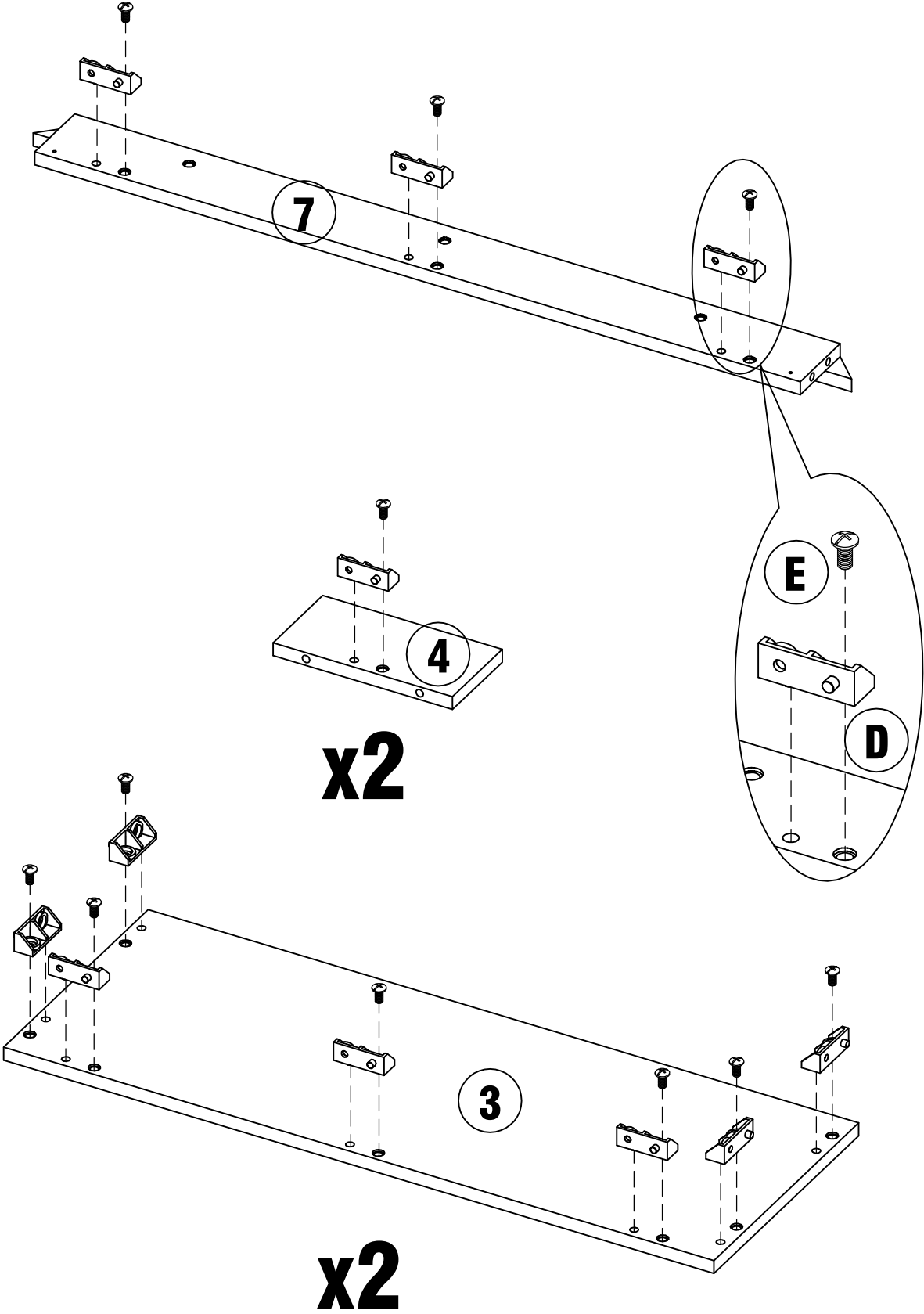


⚠ WARNING

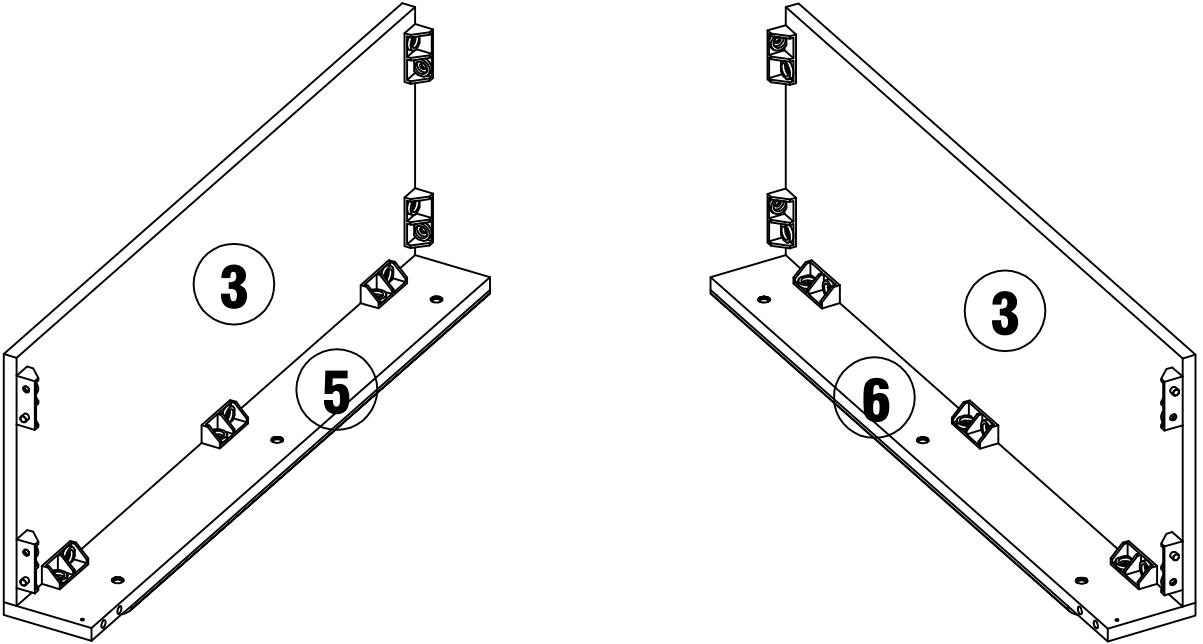
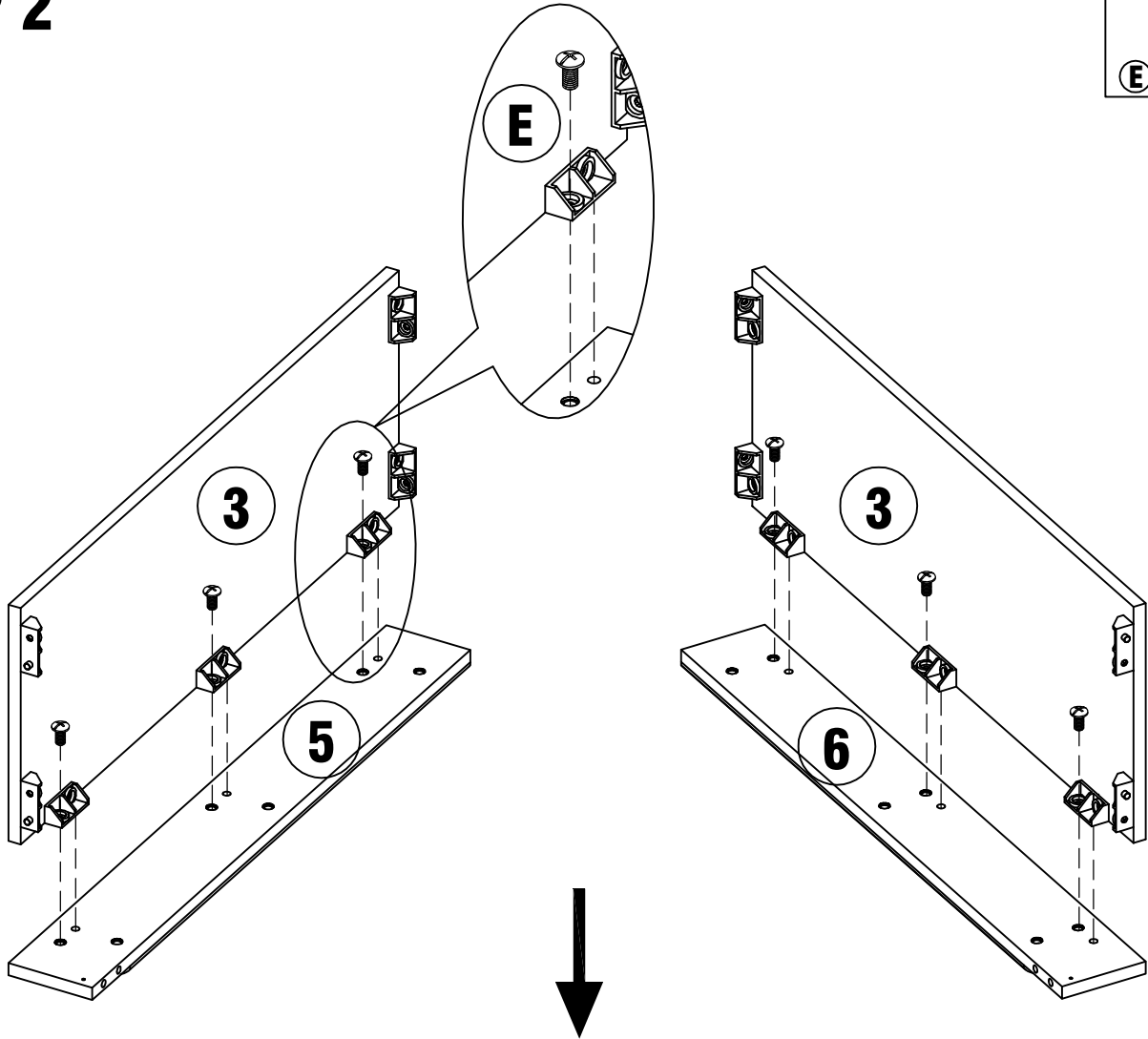
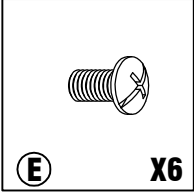
- Unit must be placed on a level surface or leveled with included hardware (when applicable).
- Do not sit or stand on or allow children to climb, sit or stand on the assembled product.
- For safety reasons, it is imperative that this unit be mounted to the wall.
- Do not use without installing the tip restraint.
- Unit can tip over causing severe injury or death.
- Do not exceed the recommended weight limits.
- Evenly distribute the weight on each level and always keep the heavier loads on the bottom.
- Before cutting, drilling or hammering into any wall or floor surface, verify the location of electrical, plumbing and gas lines. Cutting may cause serious injury.

STEP 1




	
D	E
X19	X19

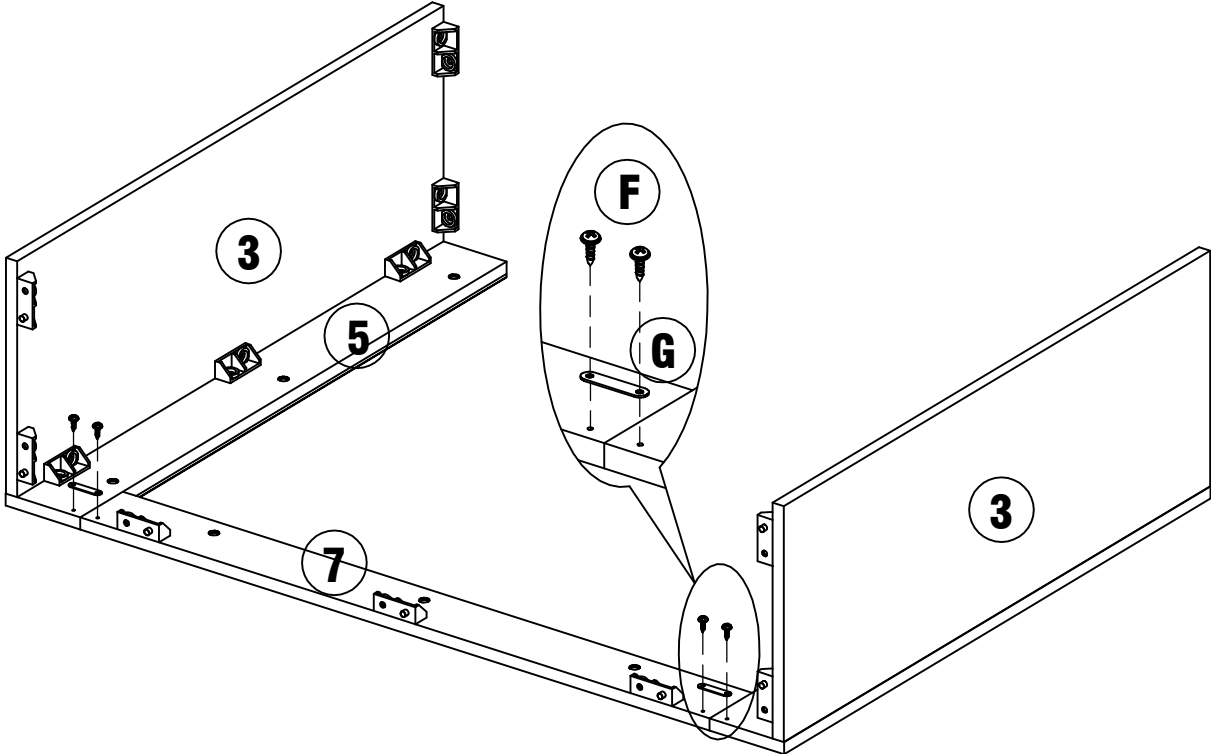
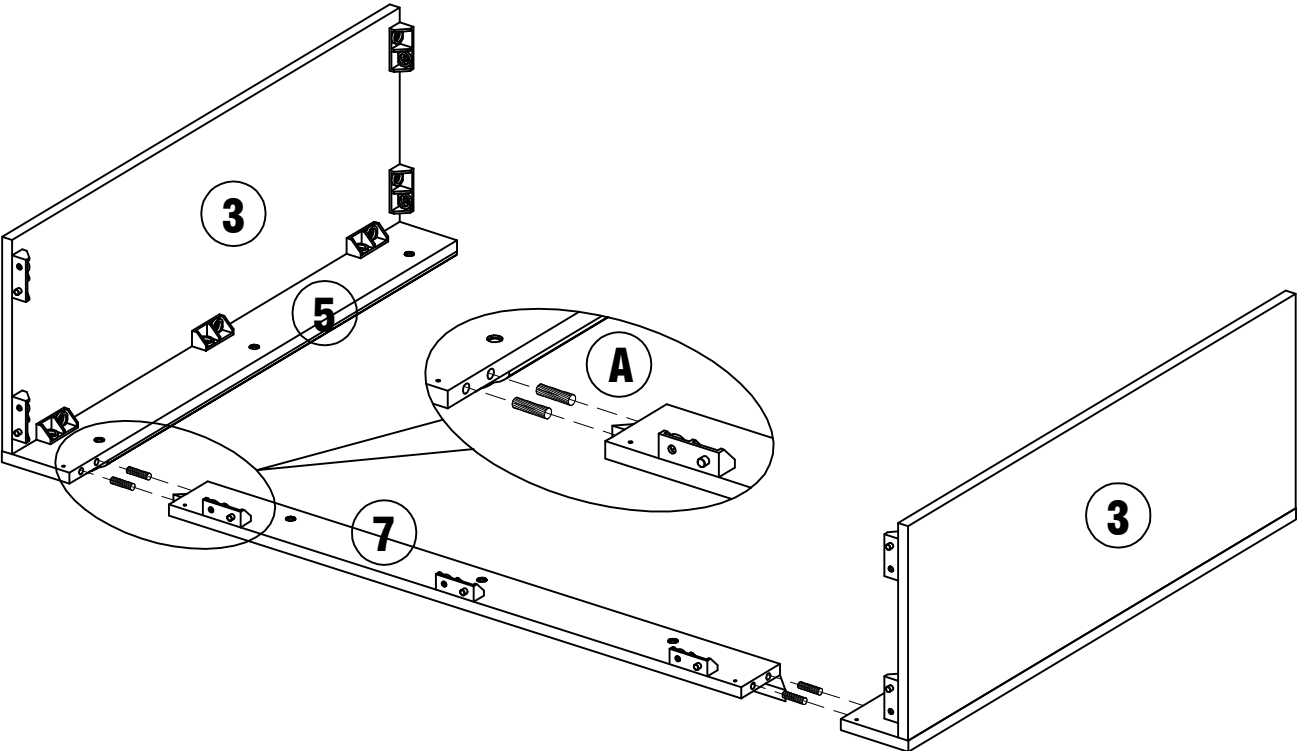


STEP 2

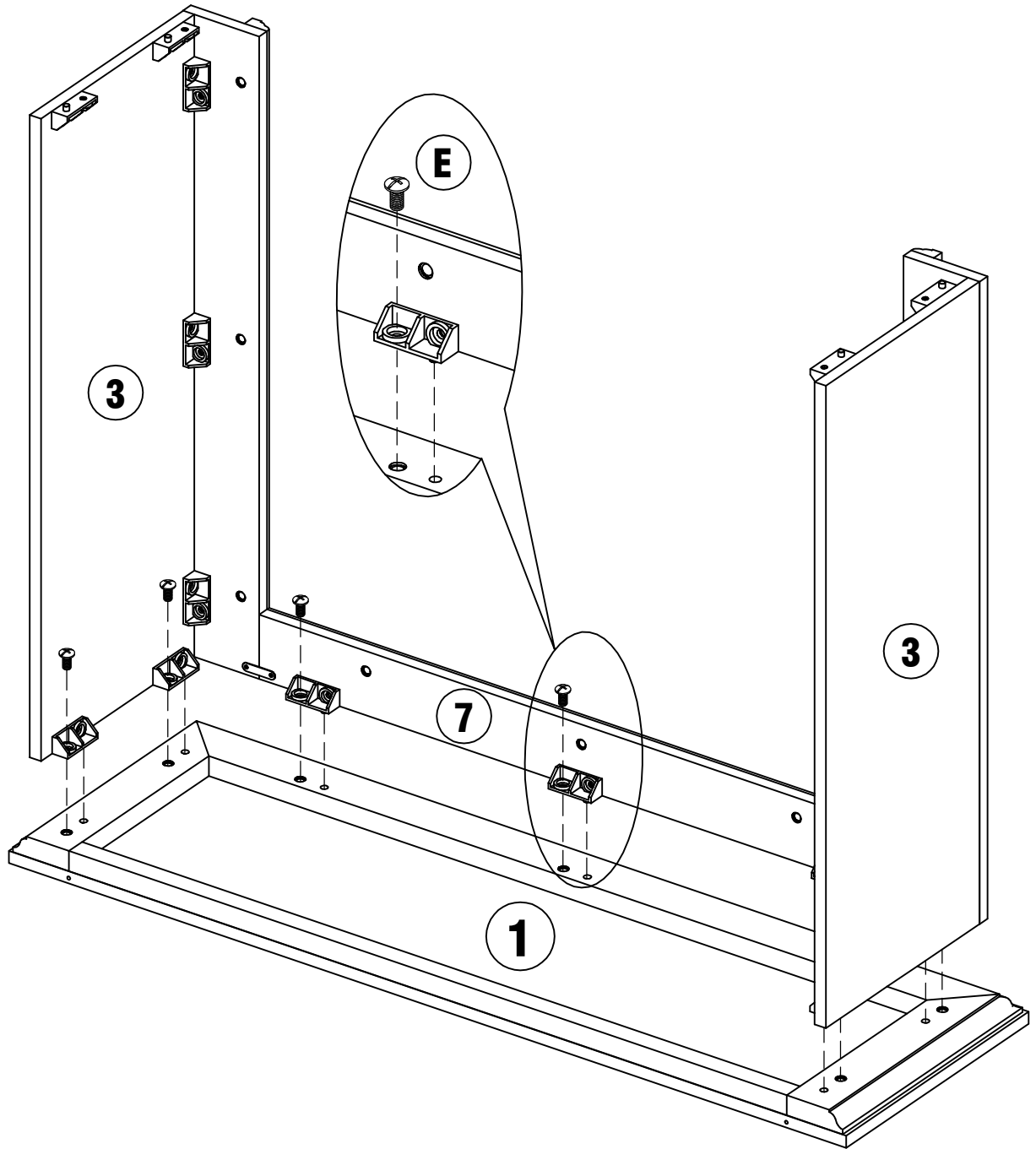
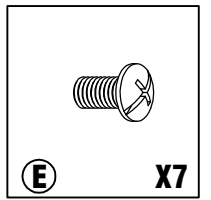


STEP 3

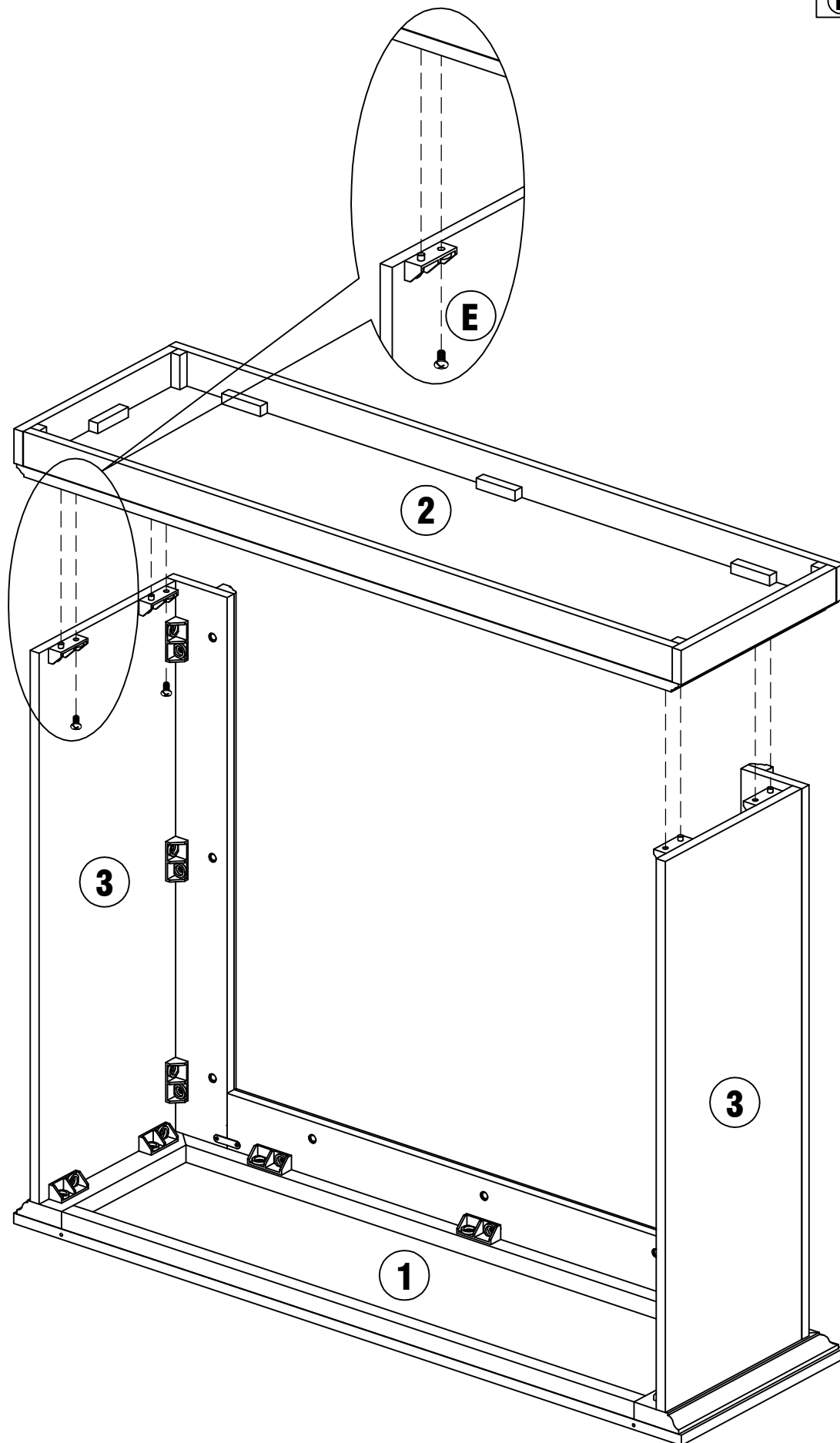
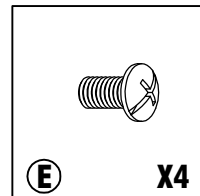
					
A	X4	F	X4	G	X2



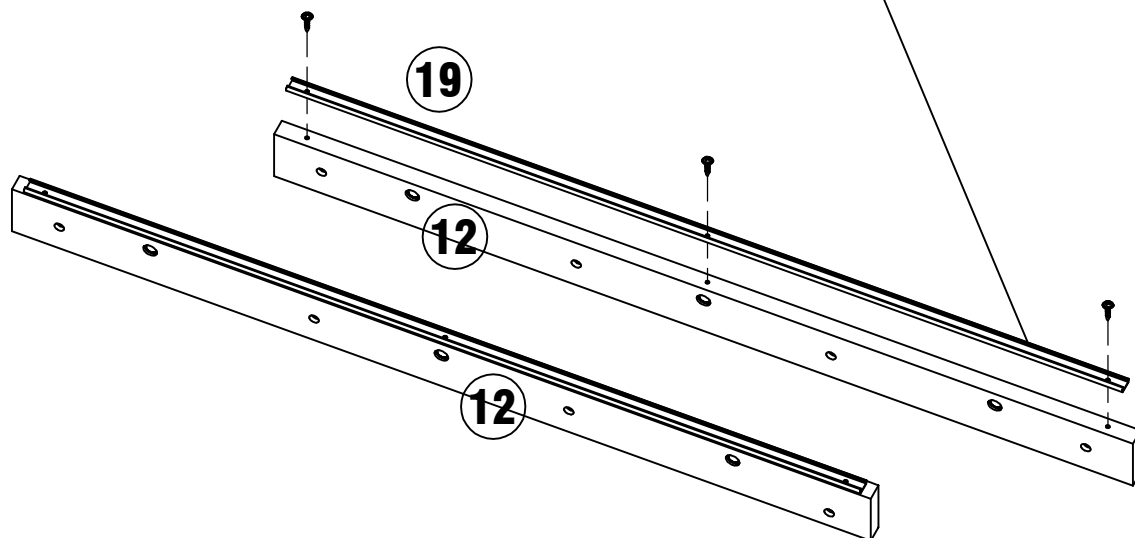
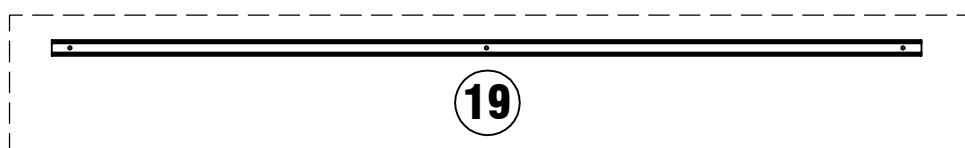
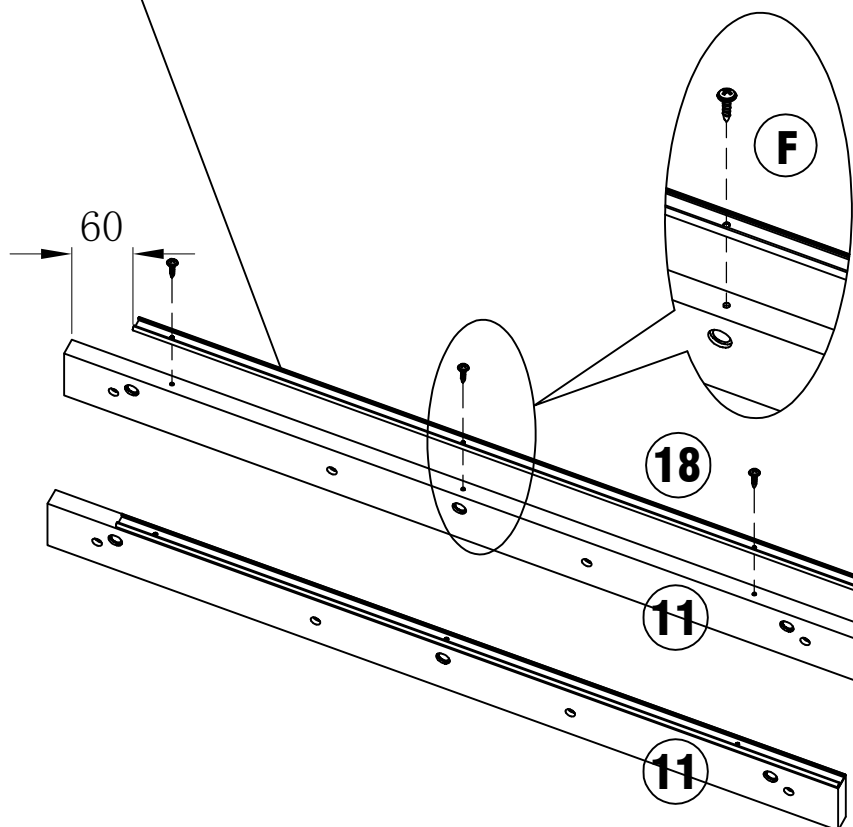
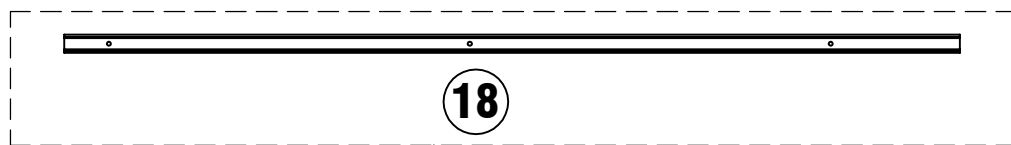
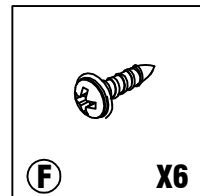
STEP 4



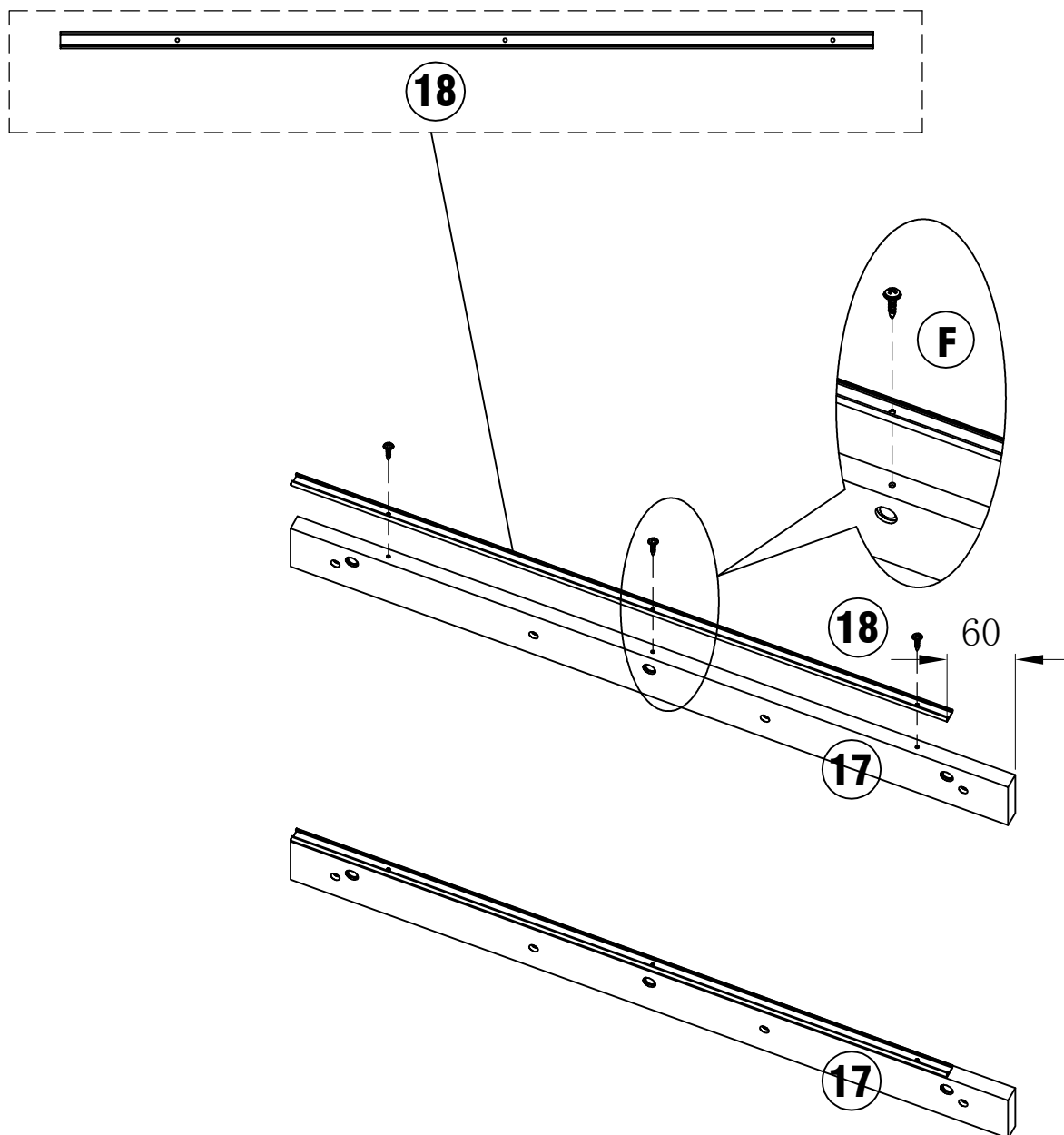
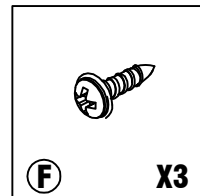
STEP 5






STEP 6

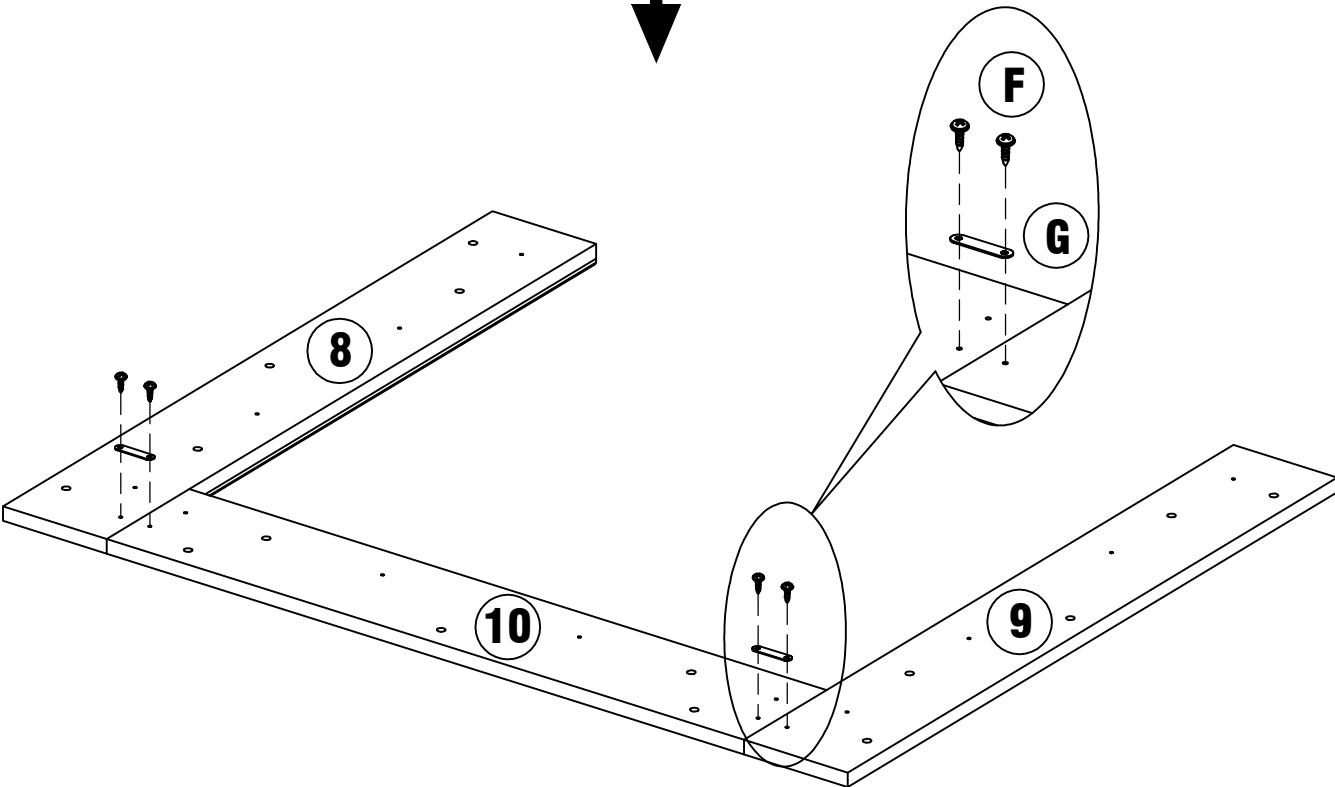
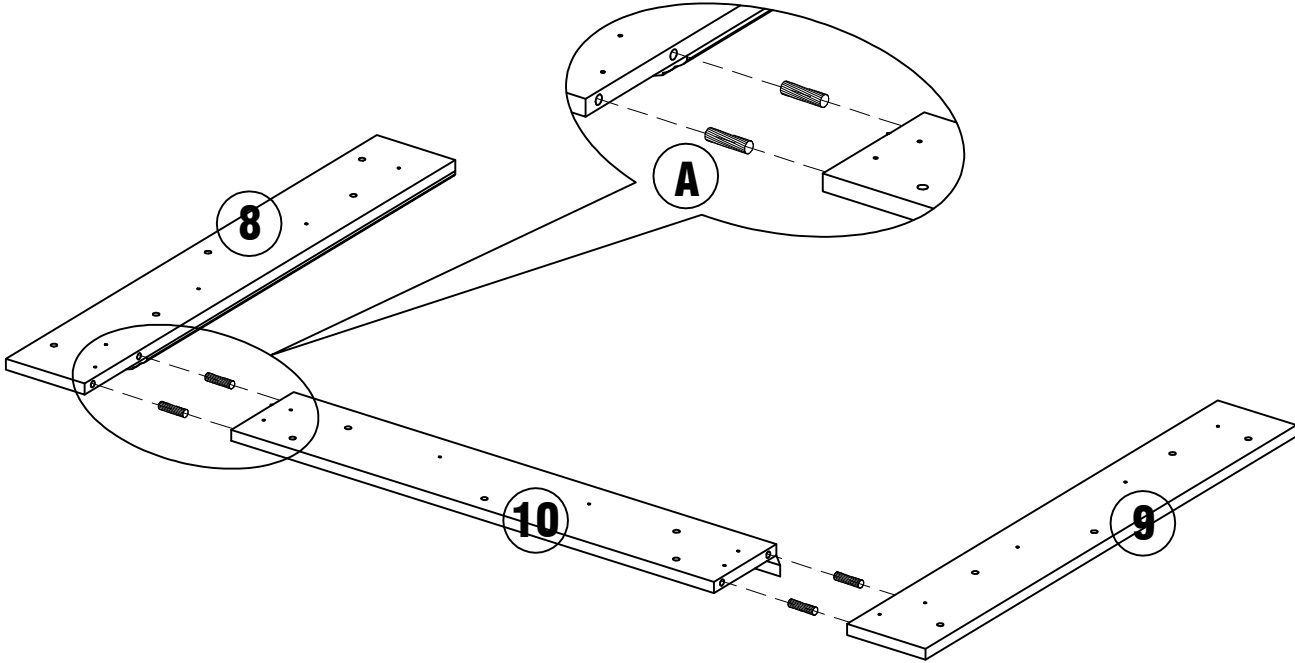


STEP 7


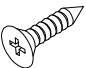


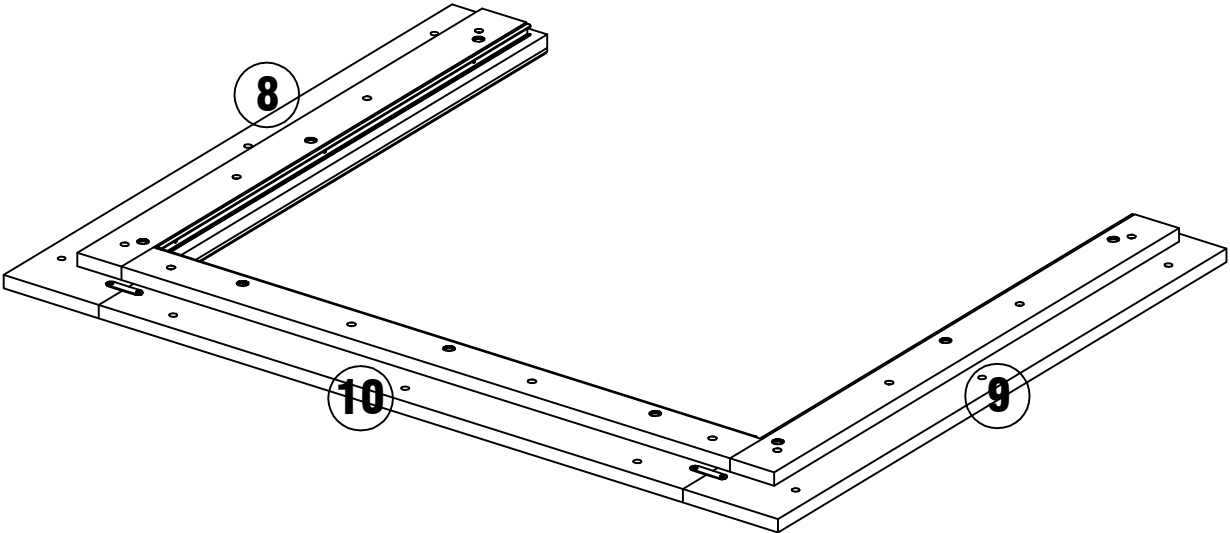
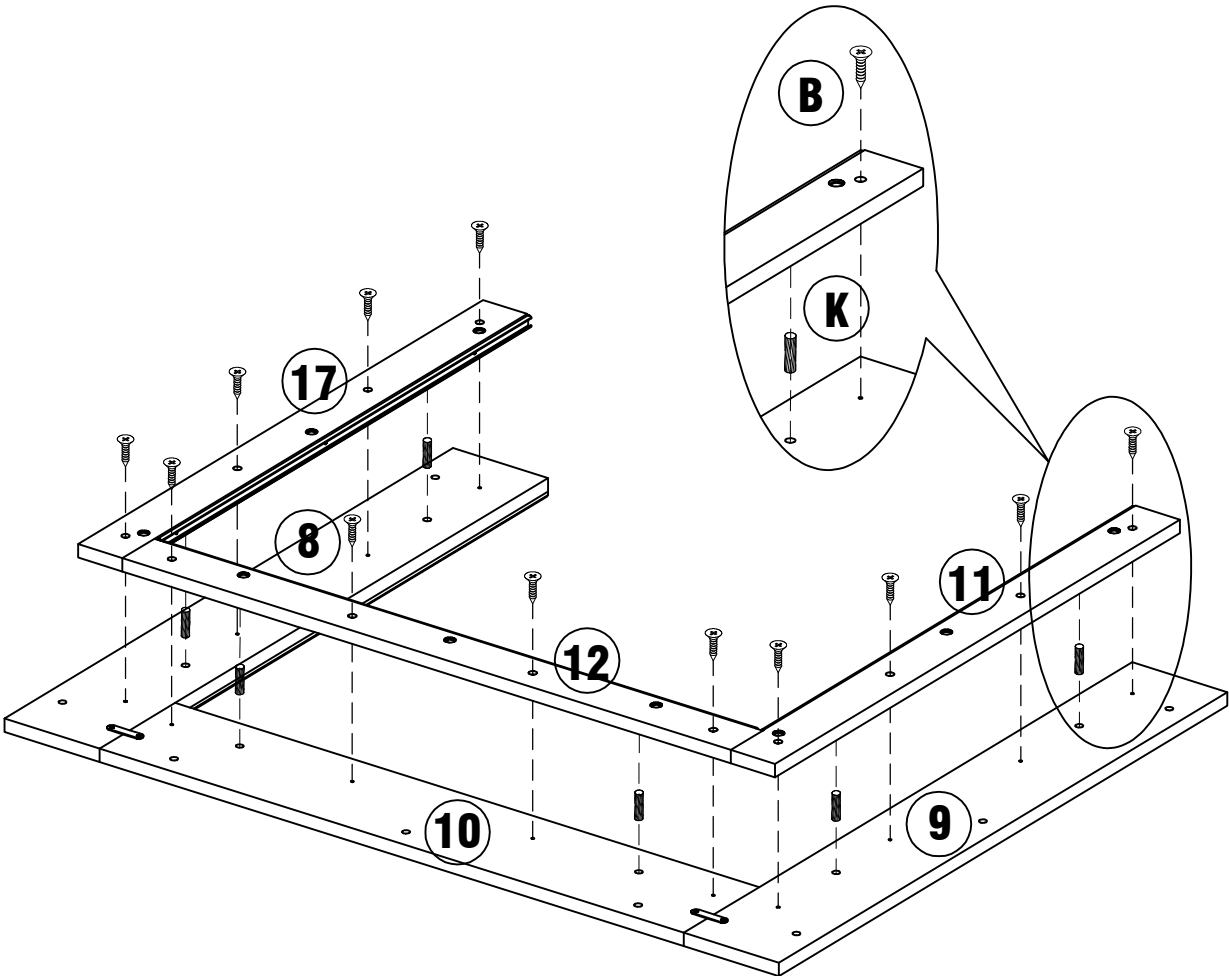
STEP 8

					
A	X4	F	X4	G	X2

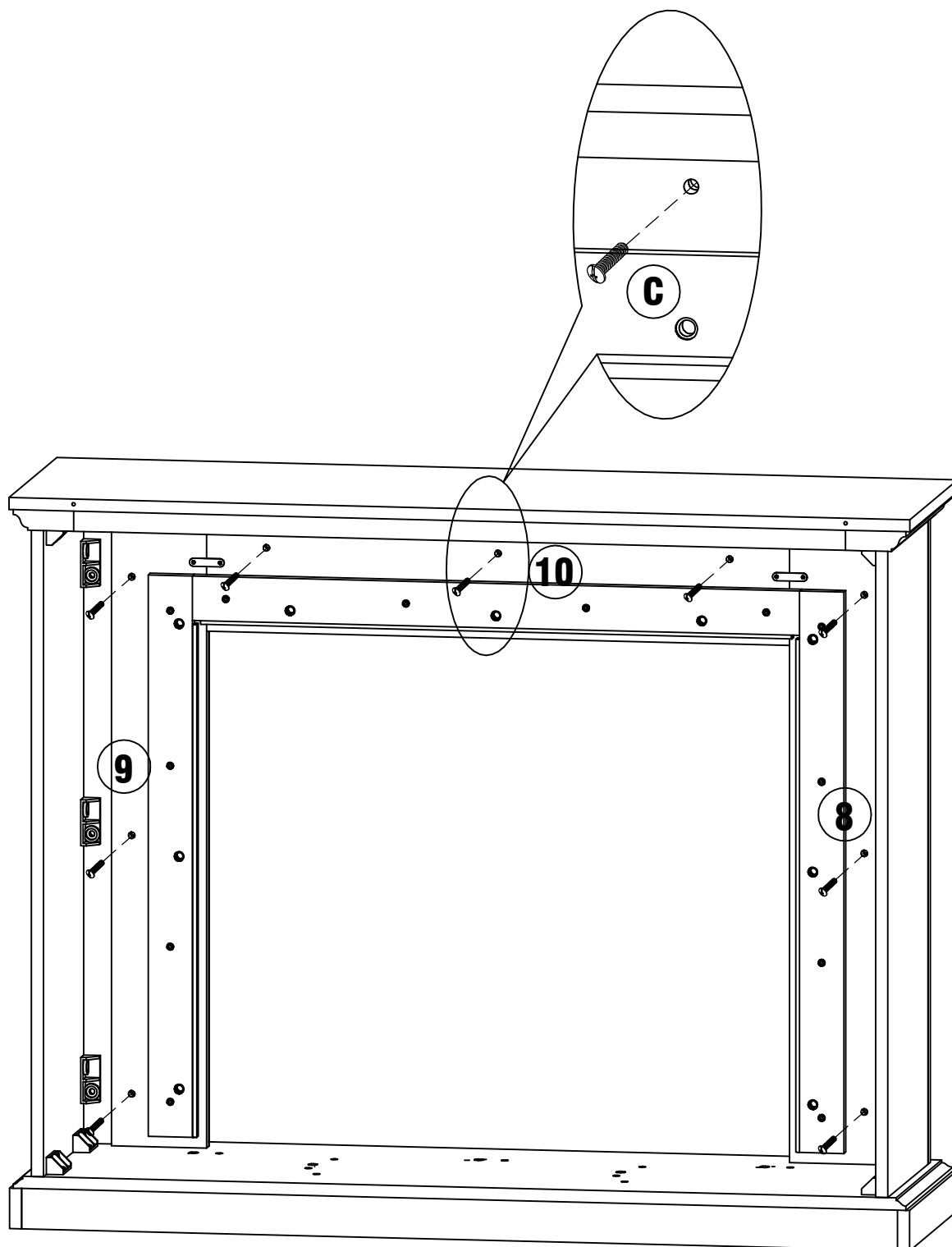
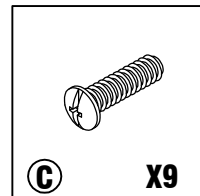


STEP 9

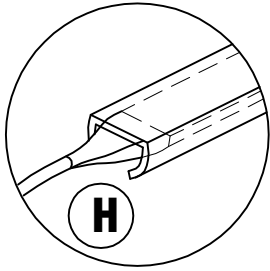
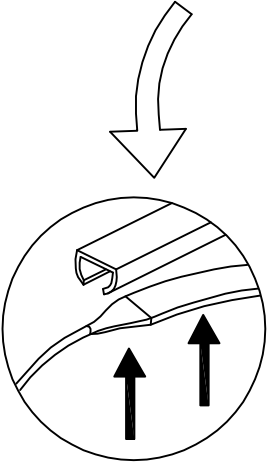
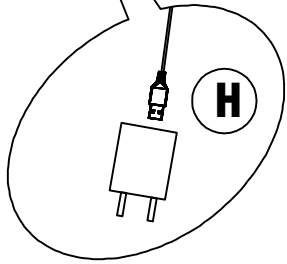
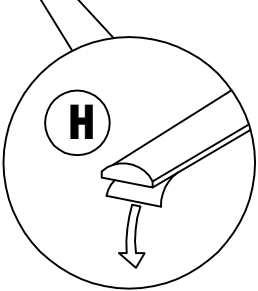
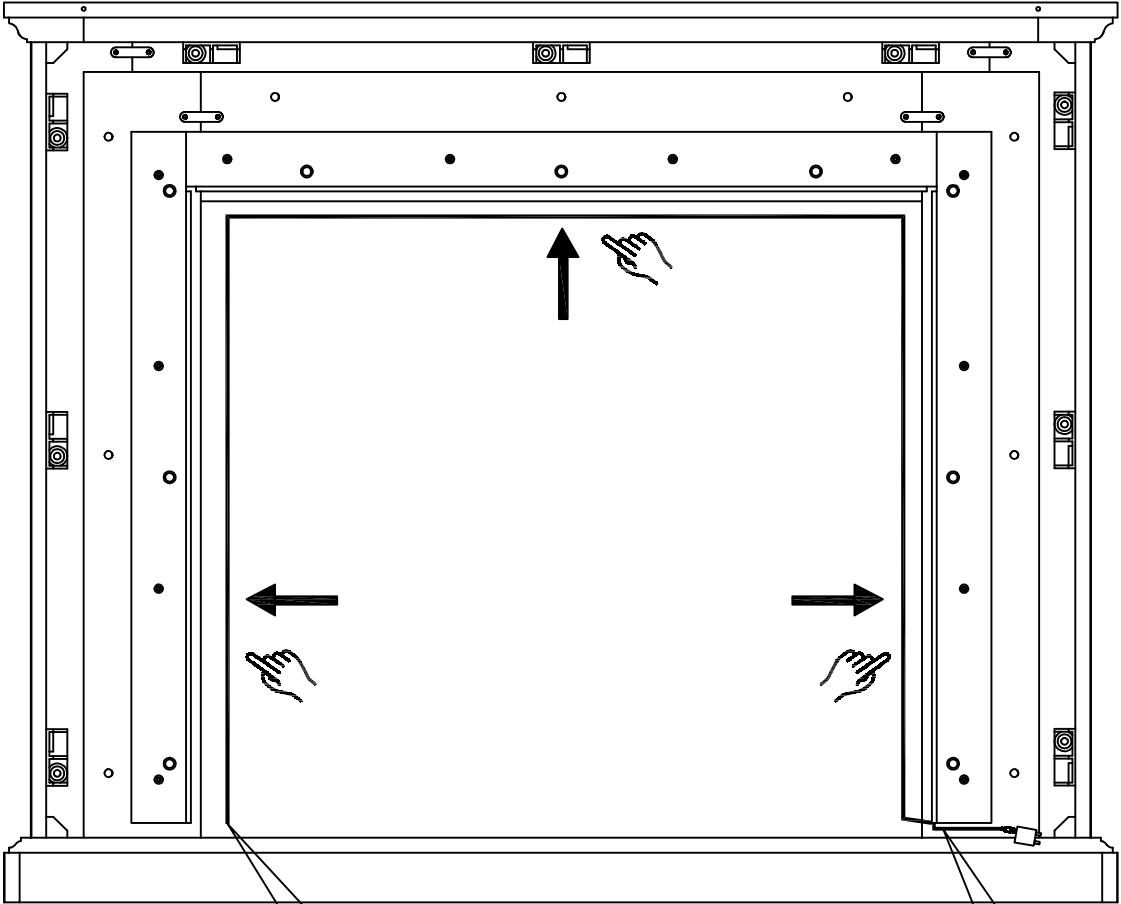
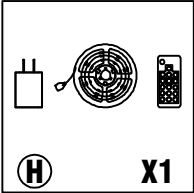
	
(K)	(B)
X6	X12



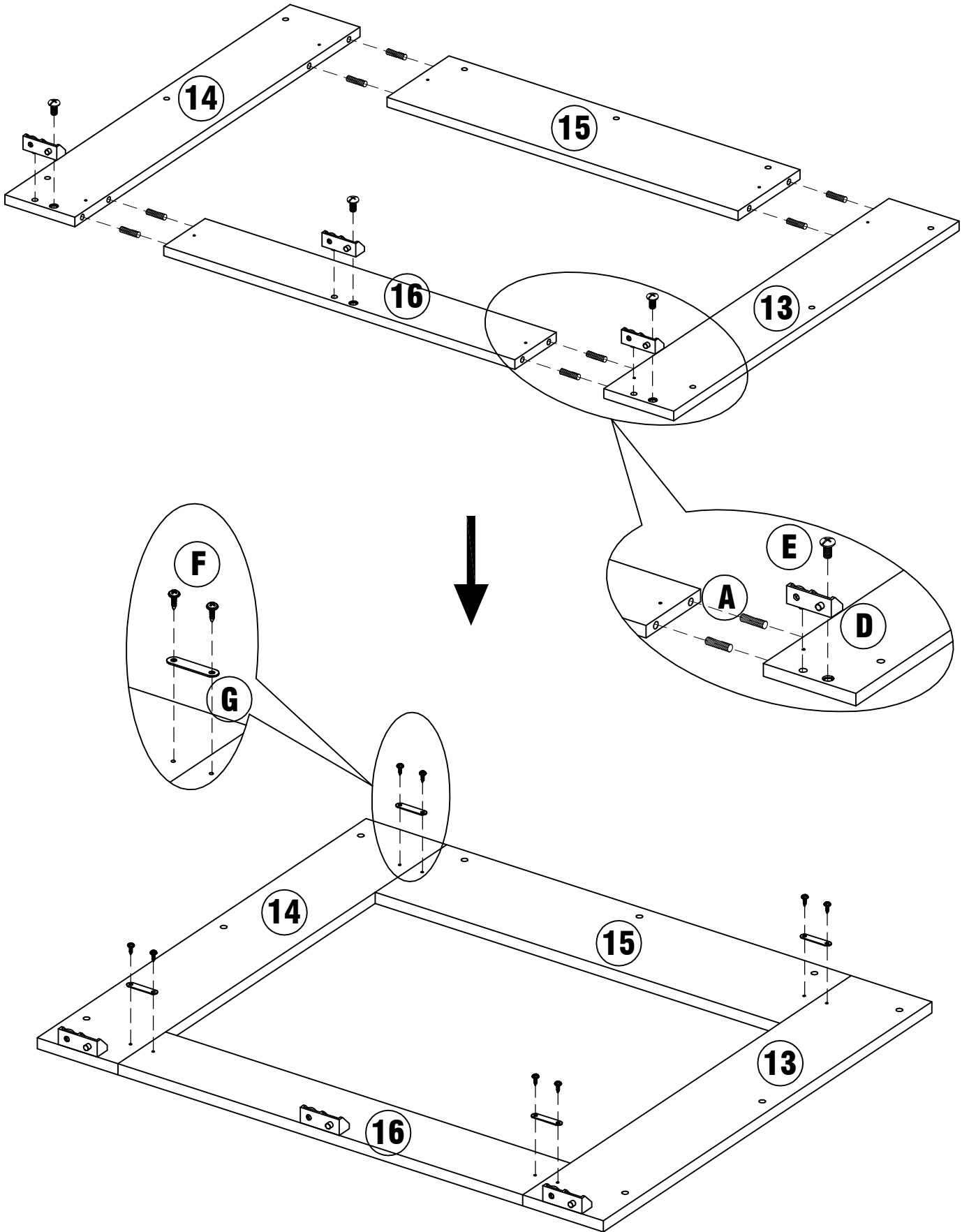
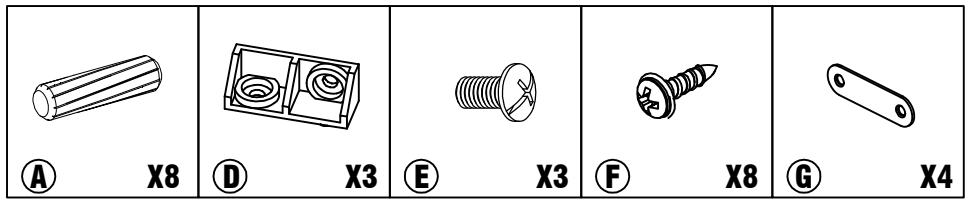
STEP 10



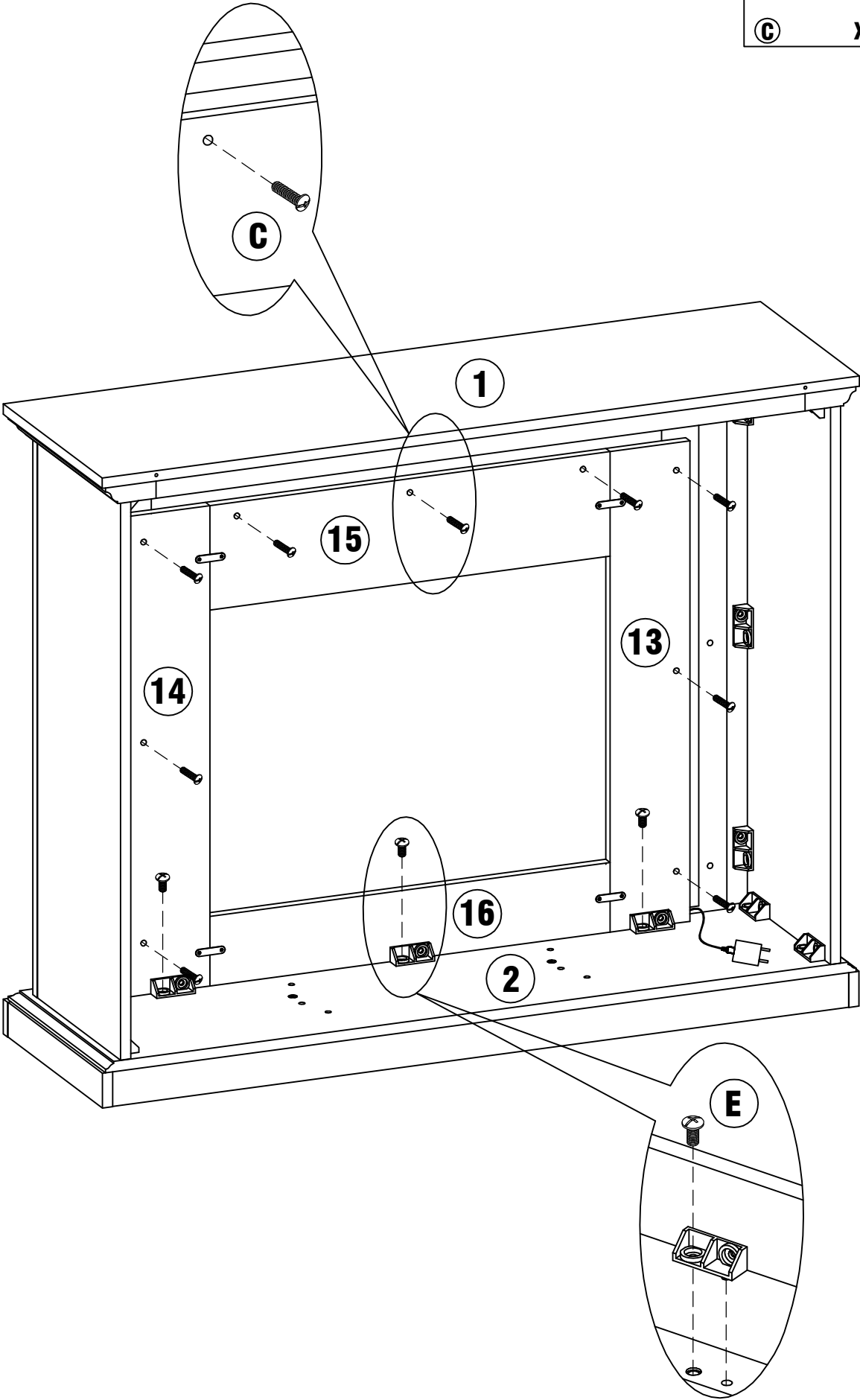
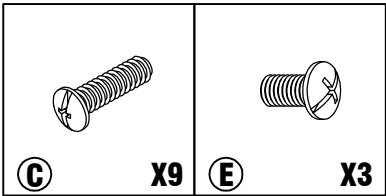
STEP 11



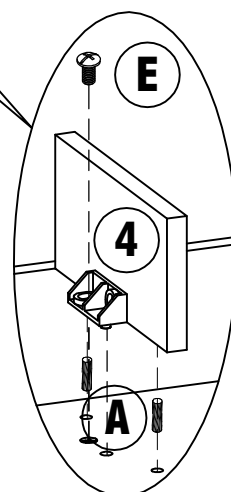
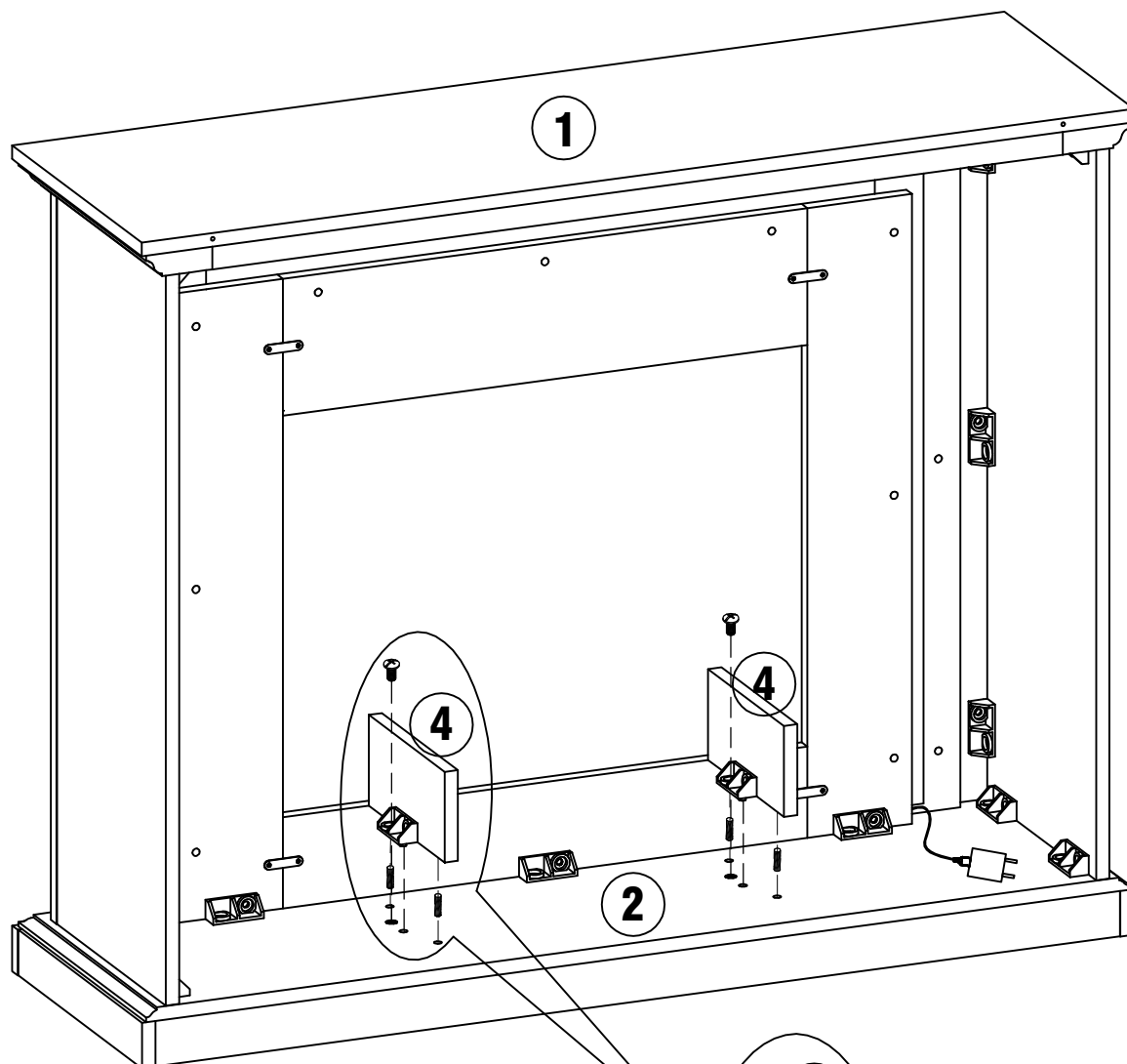
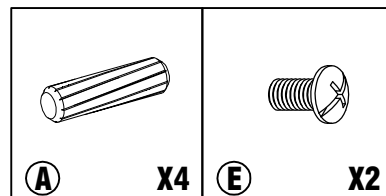
STEP 12



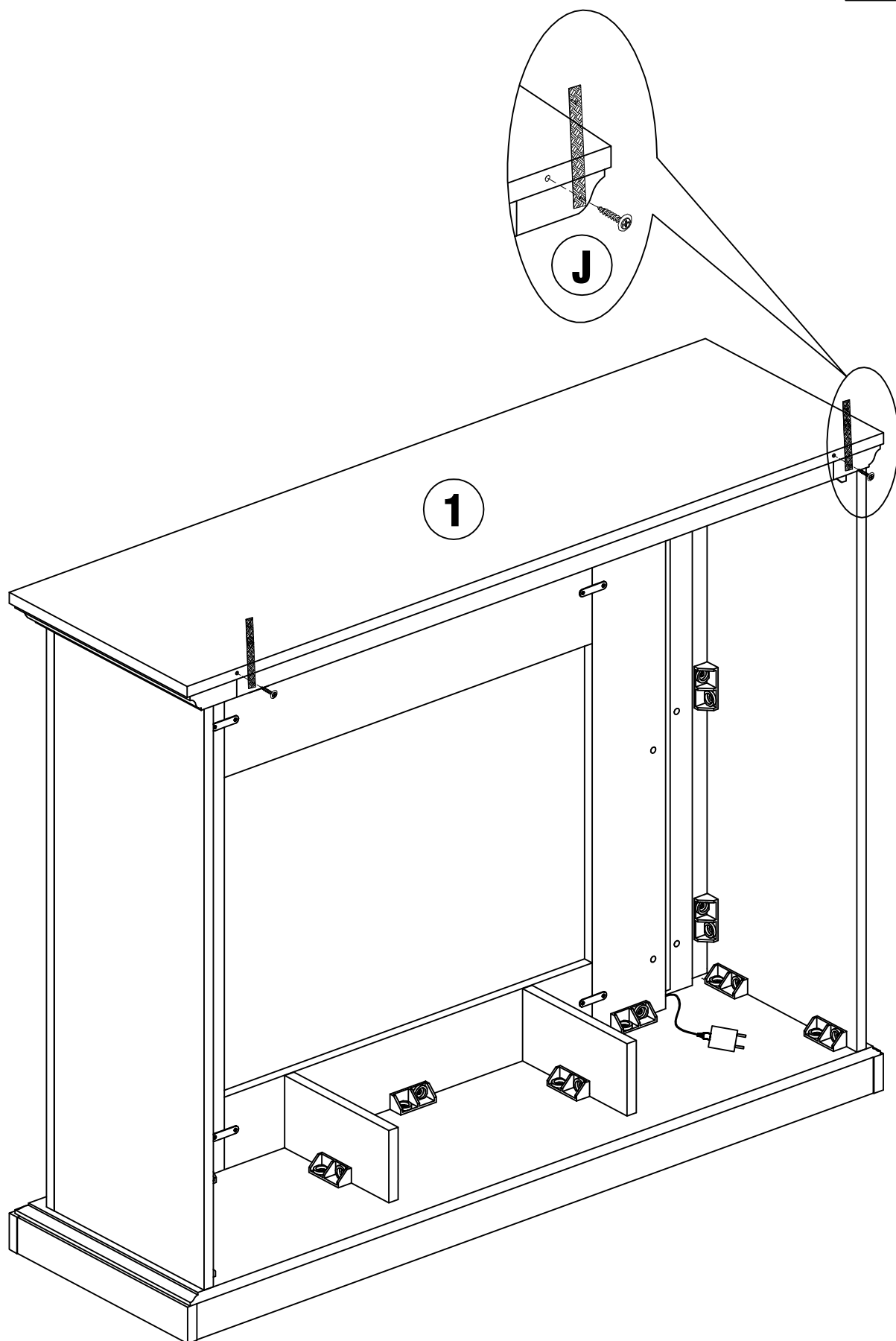
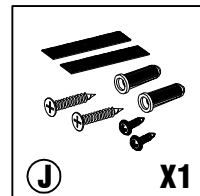
STEP 13



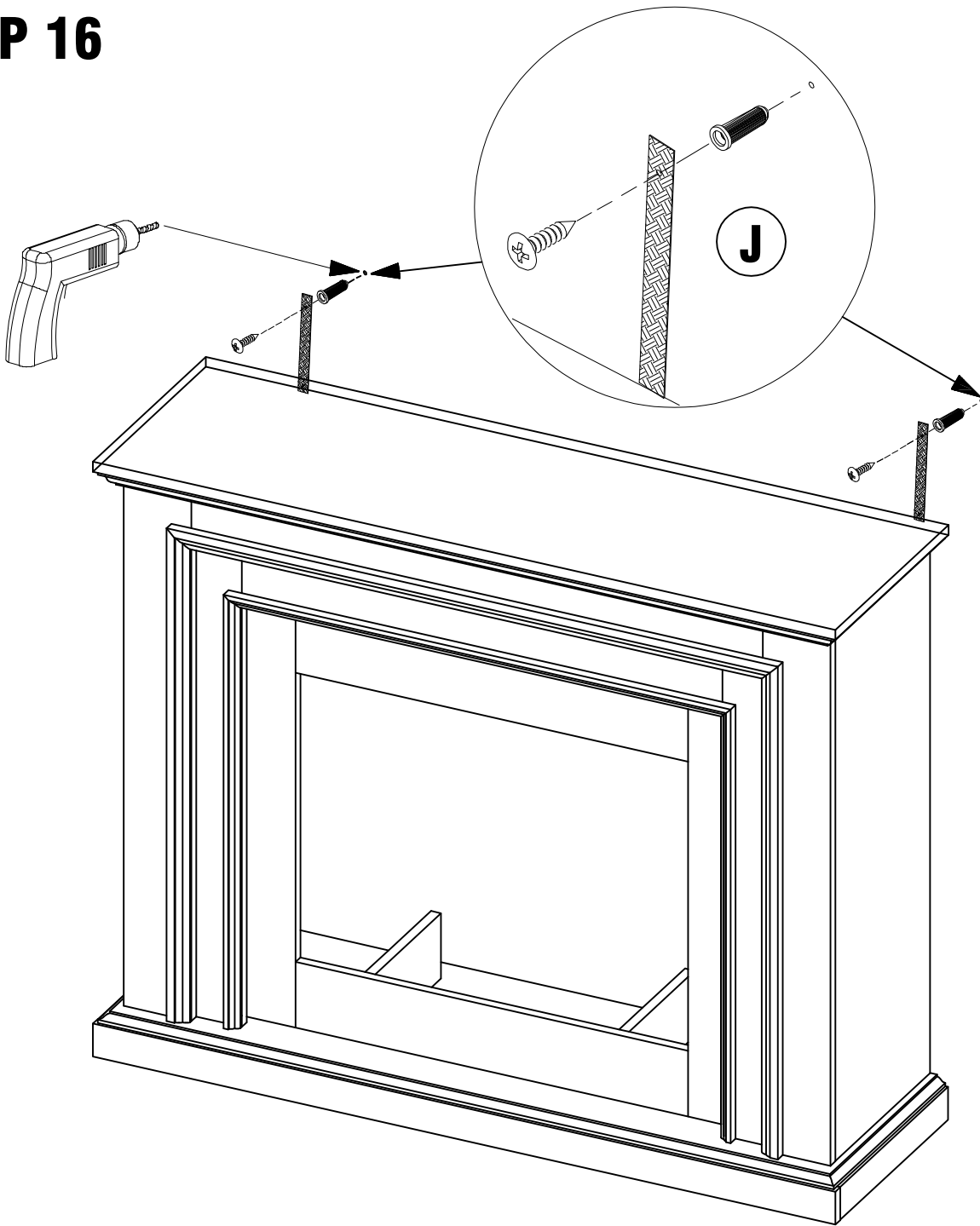
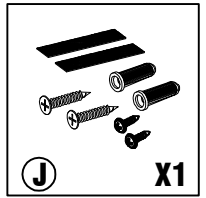
STEP 14



STEP 15



STEP 16



⚠ WARNING



Children have died from furniture tipover. To reduce the risk of furniture tipover:

- ALWAYS install anti-tip device provided.
- NEVER put a TV on this product.
- NEVER allow children to stand, climb or hang on any drawers, doors, or shelves.
- NEVER open more than one drawer at a time.
- Place heaviest items in the lowest drawers.

*this is a permanent label.
Do not remove!*

