

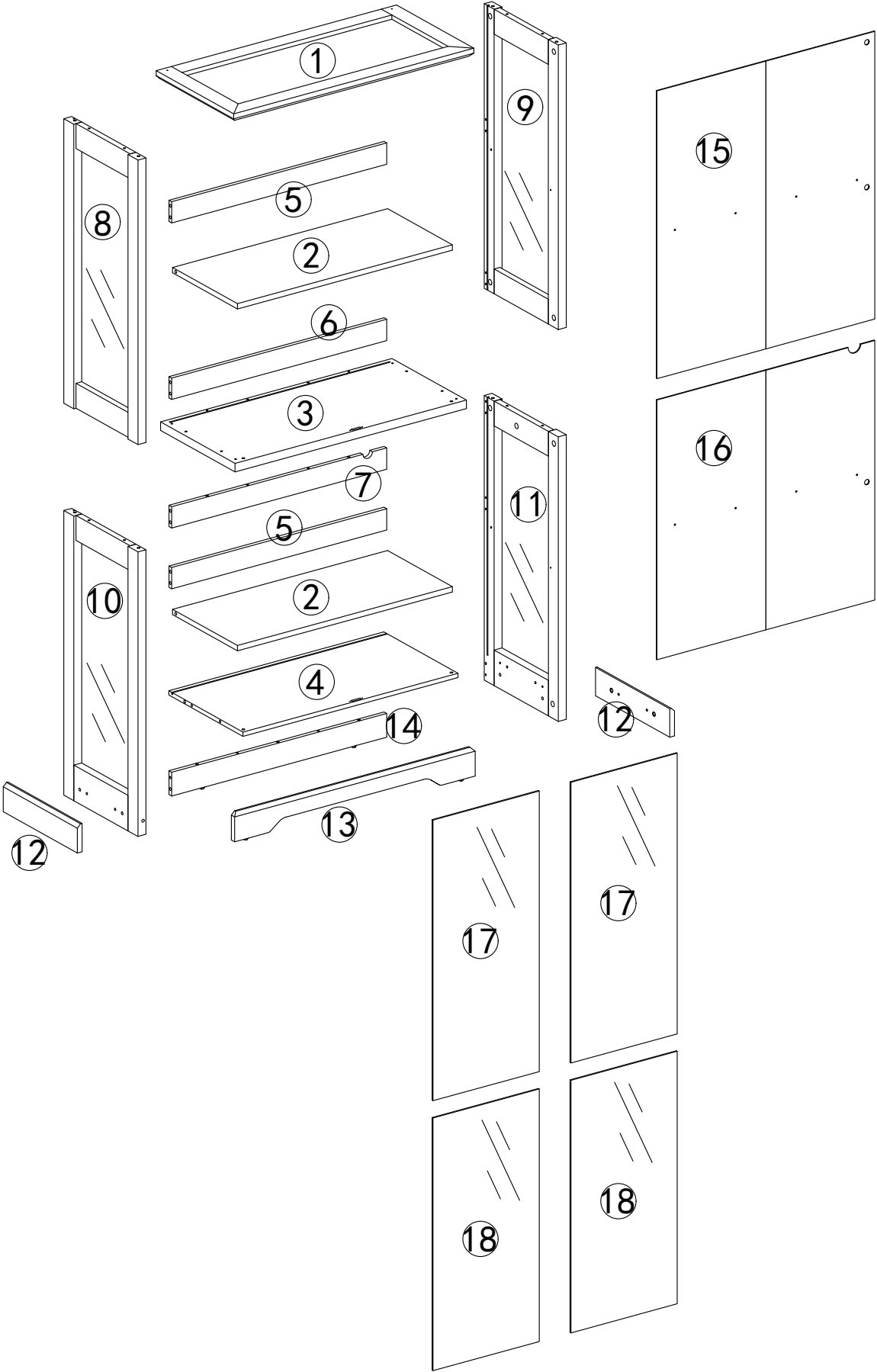
ATTENTION

If there is any missing, please kindly send us messages to let us know the part number of missing part regarding to the first page of instructions.

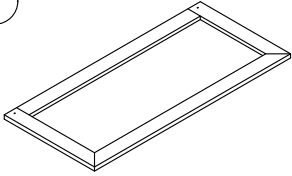
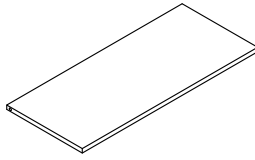
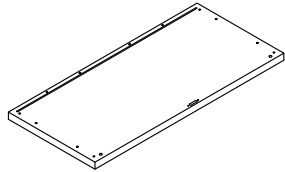
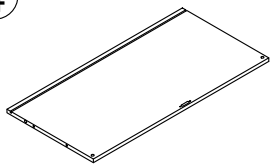
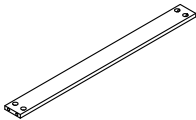
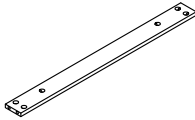
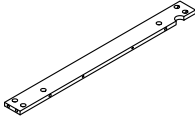
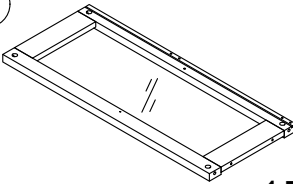
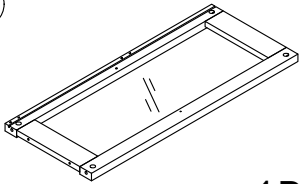
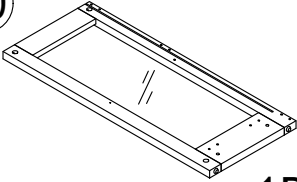
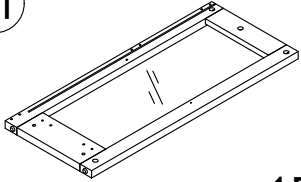
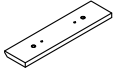
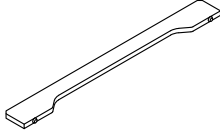
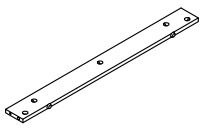
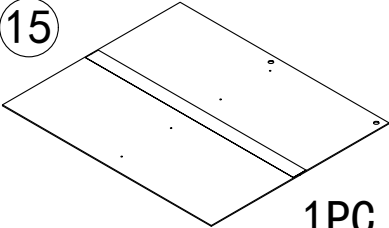
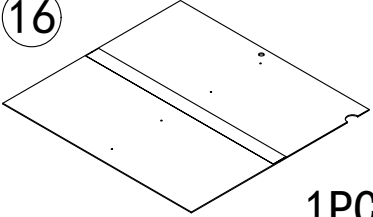
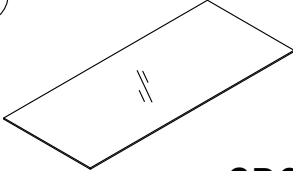
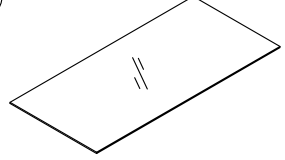
Please also provide your full address, recipient name and contact phone number so that we can send replacement to you as soon as possible.



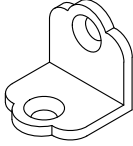



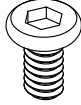
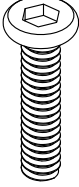
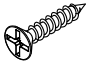
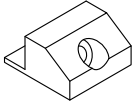
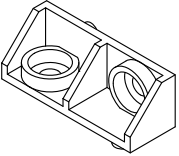
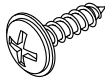


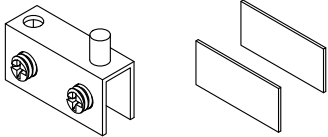
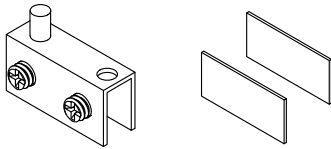
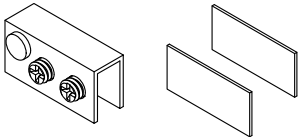
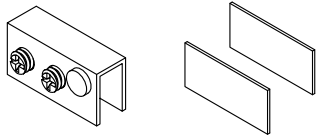
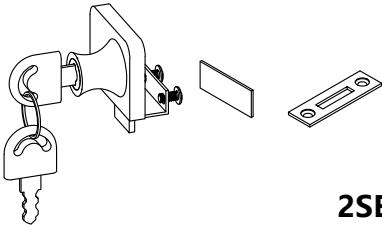
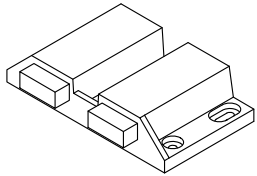
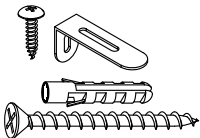
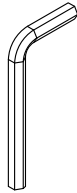
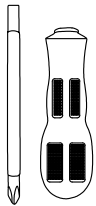
# PART LIST

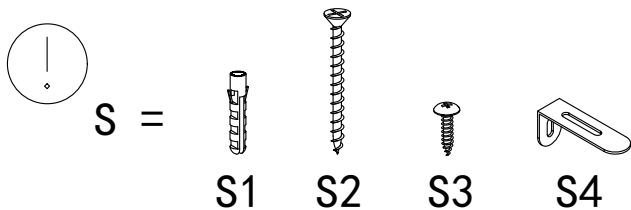


# PART LIST

<p>①</p>  <p>1PC</p>	<p>②</p>  <p>2PCS</p>	<p>③</p>  <p>1PC</p>
<p>④</p>  <p>1PC</p>	<p>⑤</p>  <p>2PCS</p>	<p>⑥</p>  <p>1PC</p>
<p>⑦</p>  <p>1PC</p>	<p>⑧</p>  <p>1PC</p>	<p>⑨</p>  <p>1PC</p>
<p>⑩</p>  <p>1PC</p>	<p>⑪</p>  <p>1PC</p>	<p>⑫</p>  <p>2PCS</p>
<p>⑬</p>  <p>1PC</p>	<p>⑭</p>  <p>1PC</p>	<p>⑮</p>  <p>1PC</p>
<p>⑯</p>  <p>1PC</p>	<p>⑰</p>  <p>2PCS</p>	<p>⑱</p>  <p>2PCS</p>

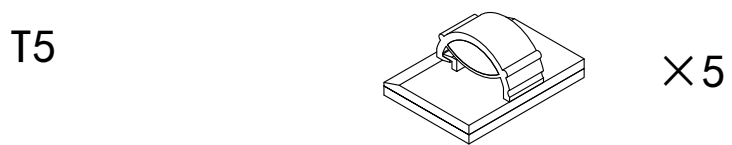
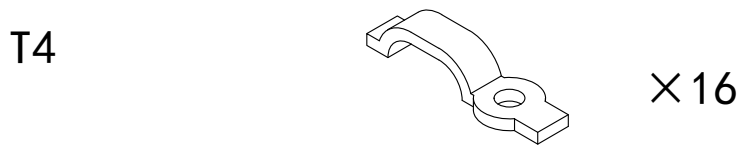
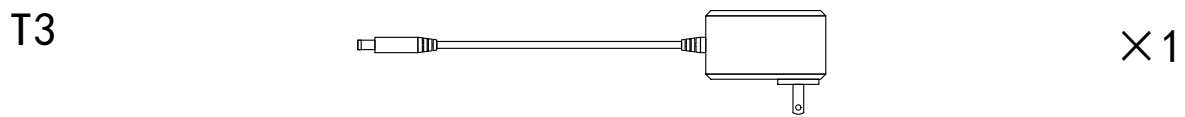
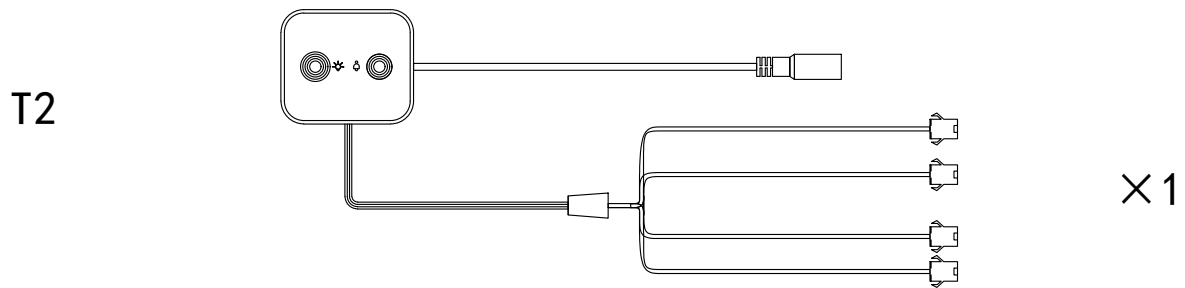
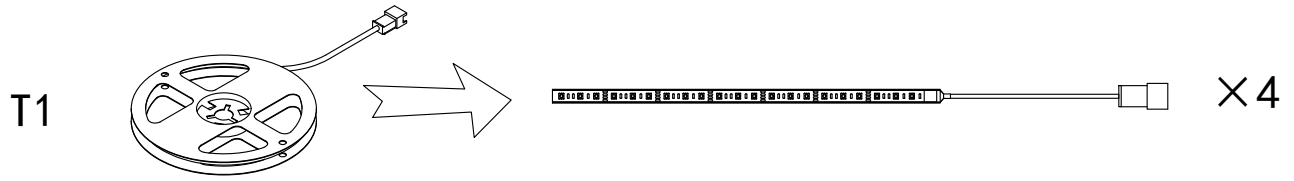
# HARDWARE LIST

<p><b>A</b></p>  <p><b>18×18×18</b>                      <b>4PCS</b></p>	<p><b>B</b></p>  <p><b>φ6×33</b>                      <b>(47+2)PCS</b></p>	<p><b>C</b></p>  <p><b>φ15×10</b>                      <b>(47+2)PCS</b></p>
<p><b>D</b></p>  <p><b>φ6×30</b>                      <b>(28+2)PCS</b></p>	<p><b>E</b></p>  <p><b>M6×12</b>                      <b>6PCS</b></p>	<p><b>F</b></p>  <p><b>M6×35</b>                      <b>4PCS</b></p>
<p><b>G</b></p>  <p><b>φ3×17</b>                      <b>(22+2)PCS</b></p>	<p><b>H</b></p>  <p><b>(22+2)PCS</b></p>	<p><b>I</b></p>  <p><b>3PCS</b></p>
<p><b>J</b></p>  <p><b>φ3×15</b>                      <b>(8+1)PCS</b></p>	<p><b>K</b></p>  <p><b>φ3×12</b>                      <b>(28+2)PCS</b></p>	<p><b>L</b></p>  <p><b>M4×12</b>                      <b>(8+1)PCS</b></p>
<p><b>M</b></p>  <p><b>4SET</b></p>	<p><b>N</b></p>  <p><b>4SET</b></p>	<p><b>O</b></p>  <p><b>2SET</b></p>
<p><b>P</b></p>  <p><b>2SET</b></p>	<p><b>Q</b></p>  <p><b>2SET</b></p>	<p><b>R</b></p>  <p><b>2PCS</b></p>
<p><b>S</b></p>  <p><b>2SET</b></p>	<p><b>4mm</b>                      <b>1PC</b></p> 	<p><b>1PC</b></p> 

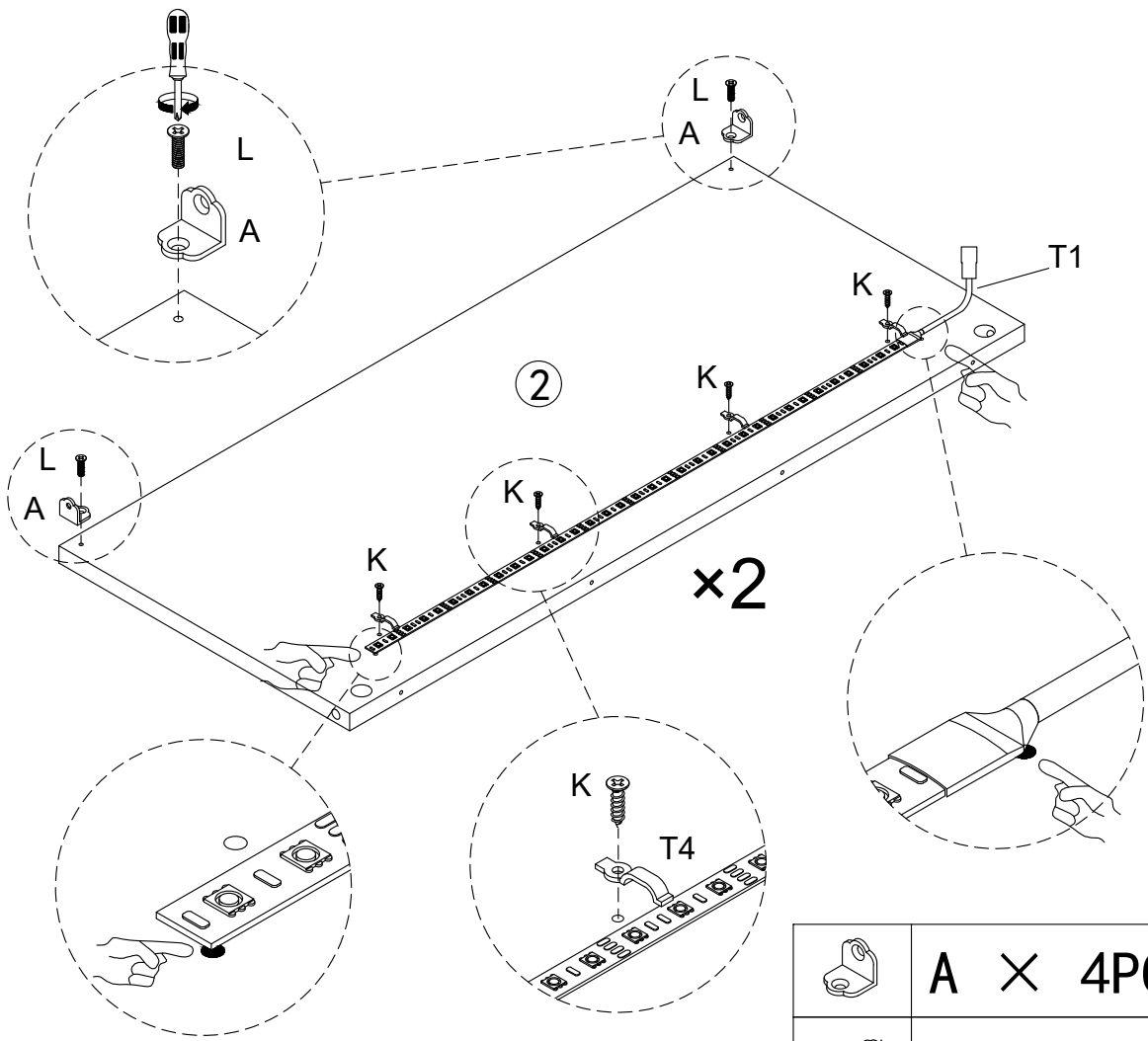
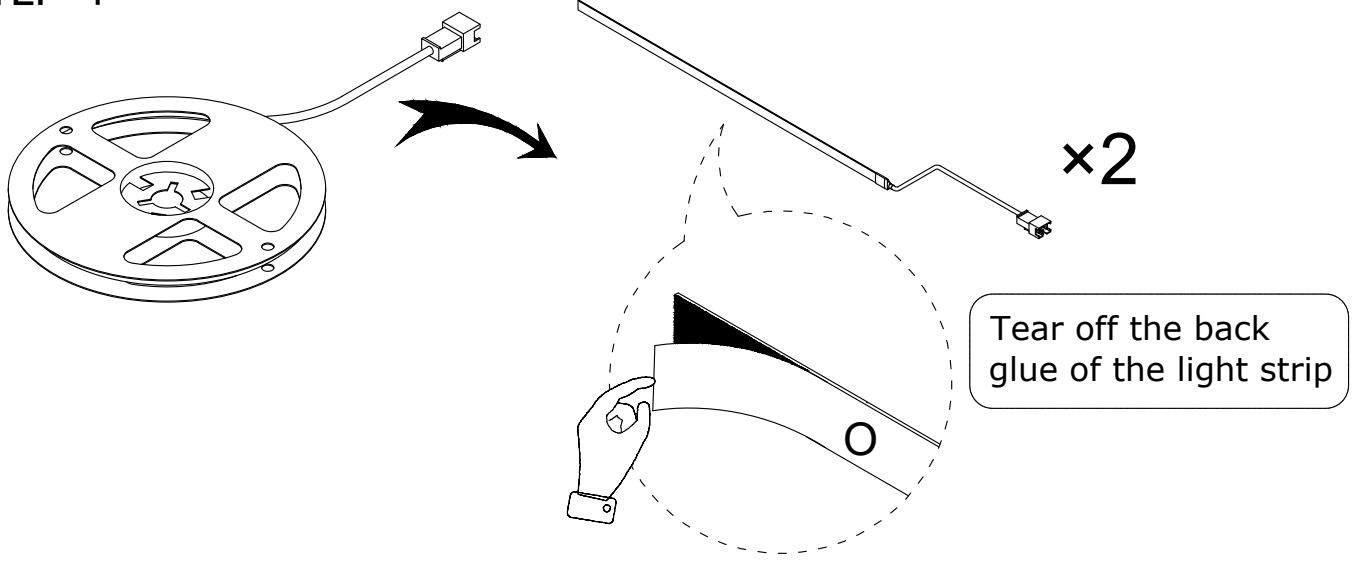


# HARDWARE LIST






T



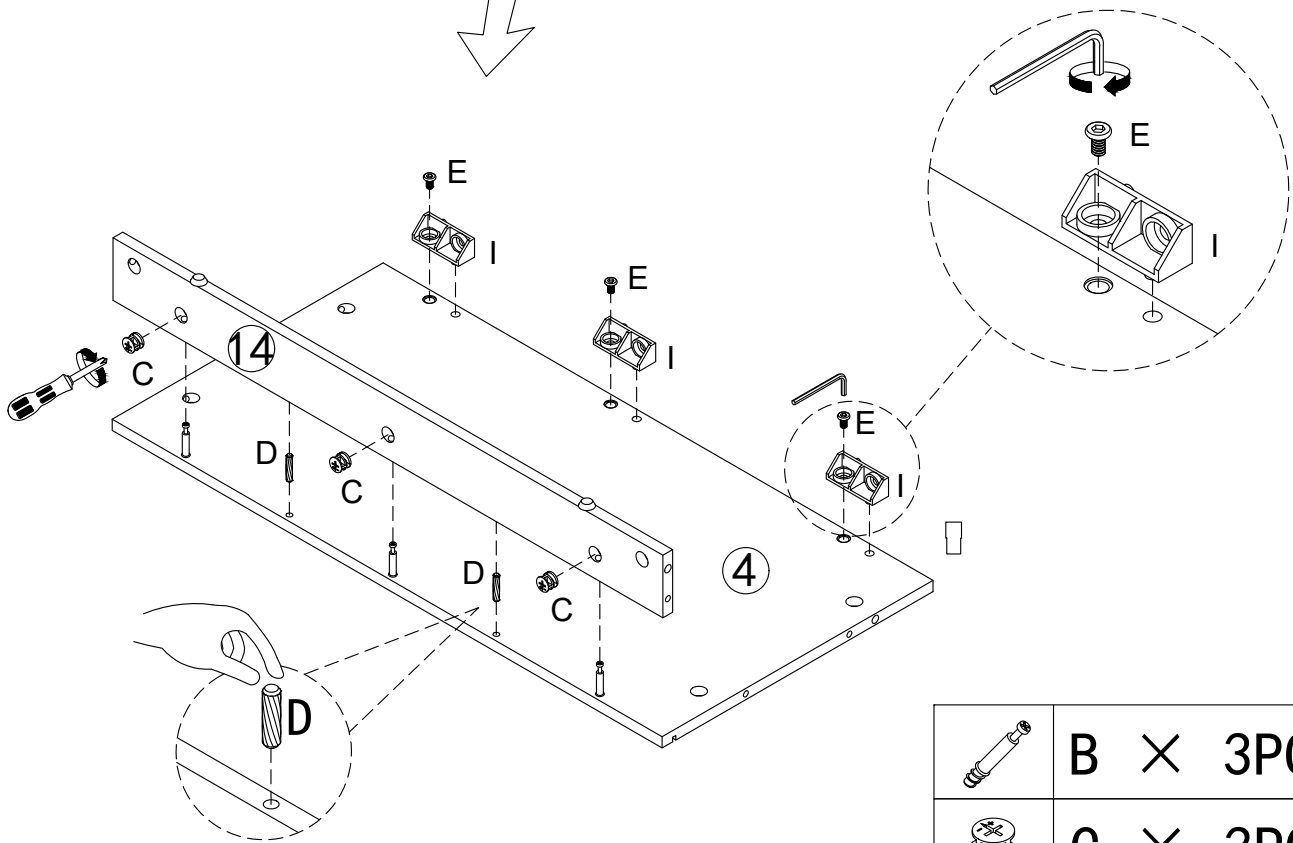
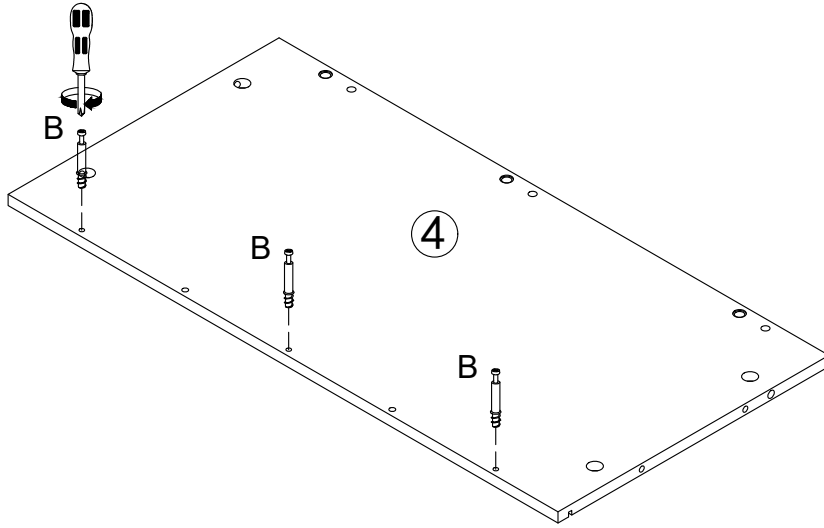
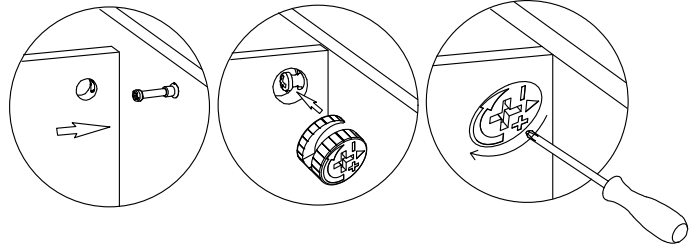
# STEP 1



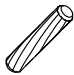

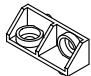


TIP: When pasting, please align the corners of the light strip with the center of the 2 guide holes to ensure that the light strip is straight.

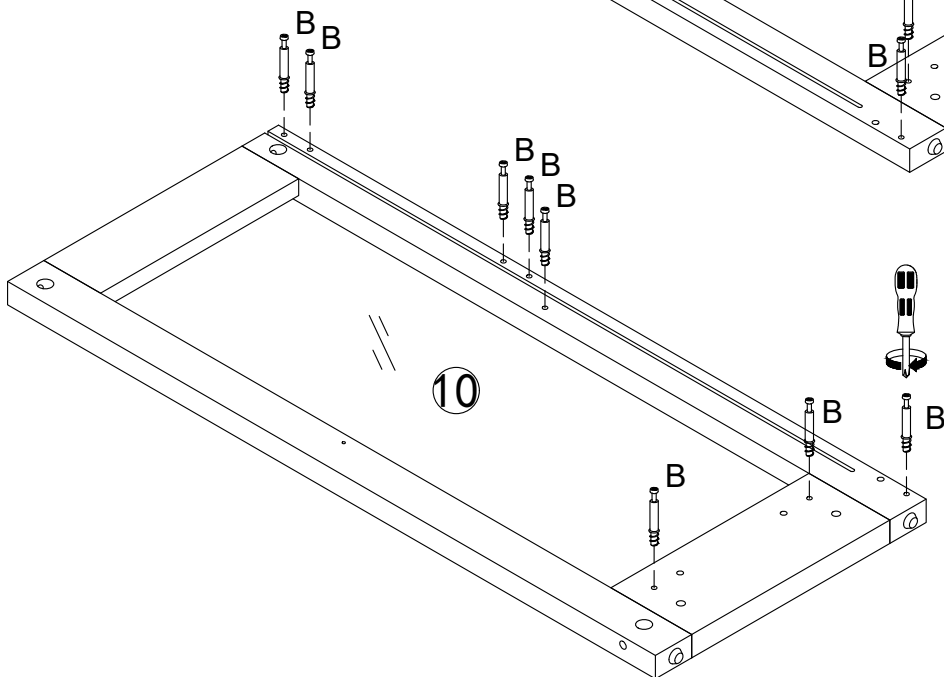
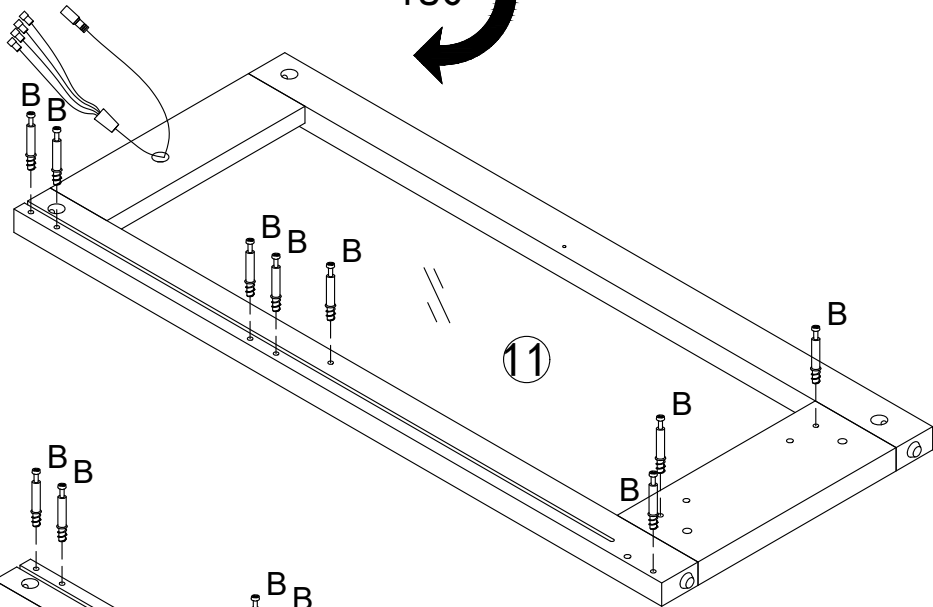
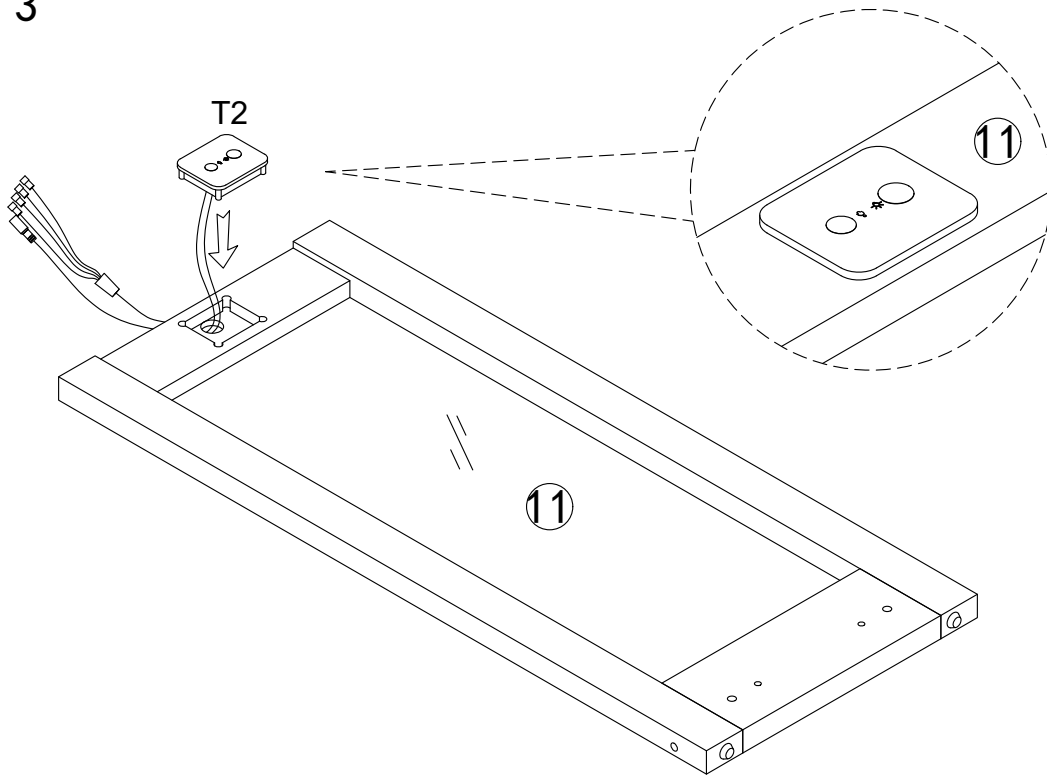
	A × 4PCS
	K × 8PCS
	L × 4PCS
	T4 × 8PCS
	T1 × 2PCS


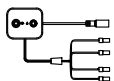
# STEP 2



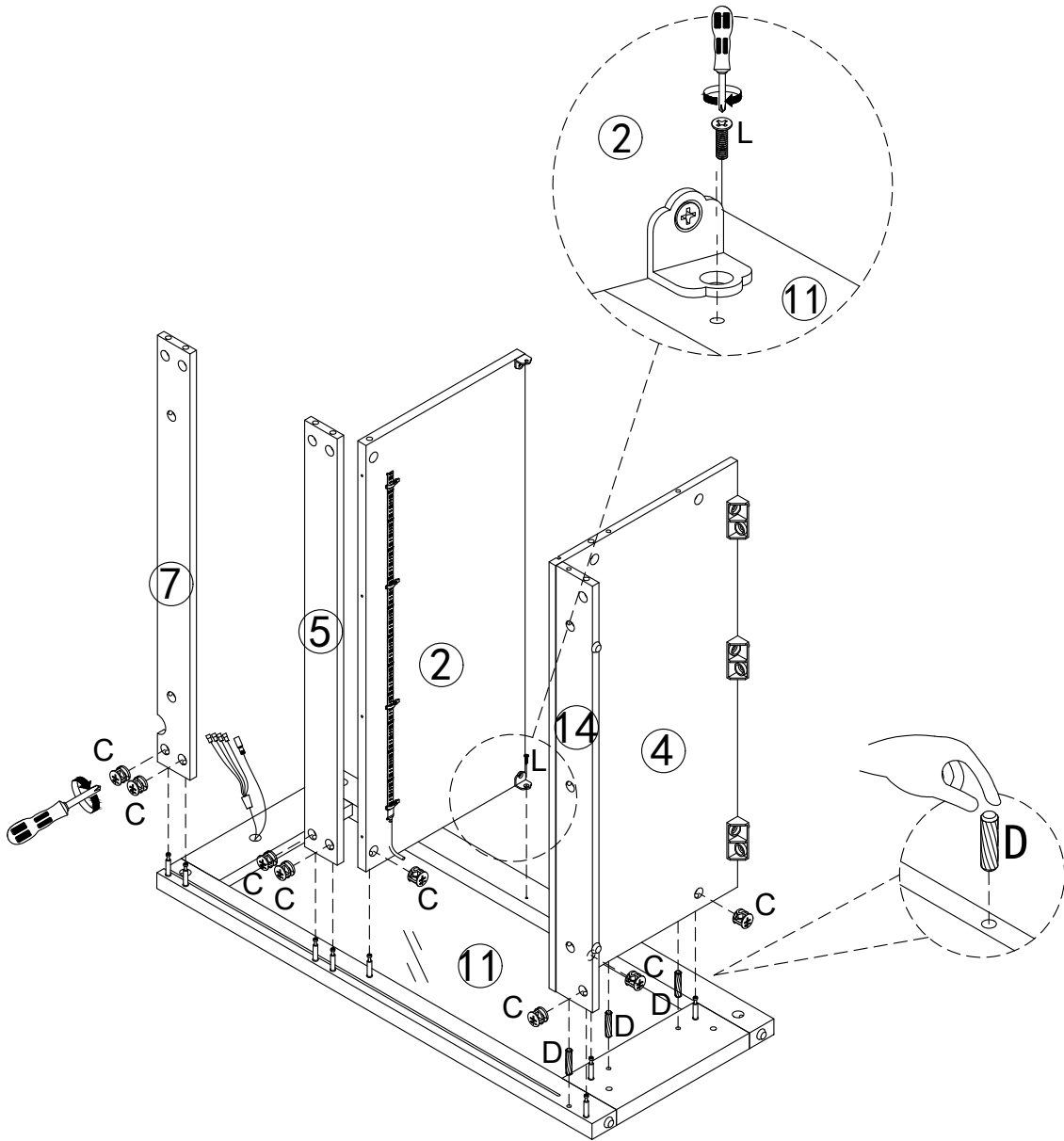
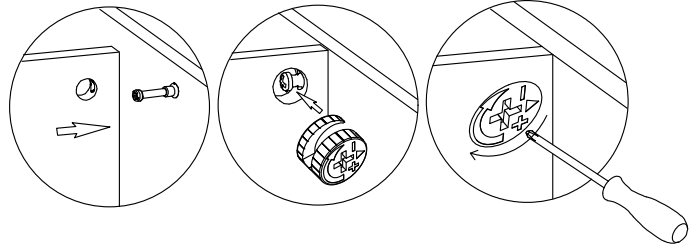
	<b>B × 3PCS</b>
	<b>C × 3PCS</b>
	<b>D × 2PCS</b>
	<b>E × 3PCS</b>
	<b>I × 3PCS</b>




# STEP 3



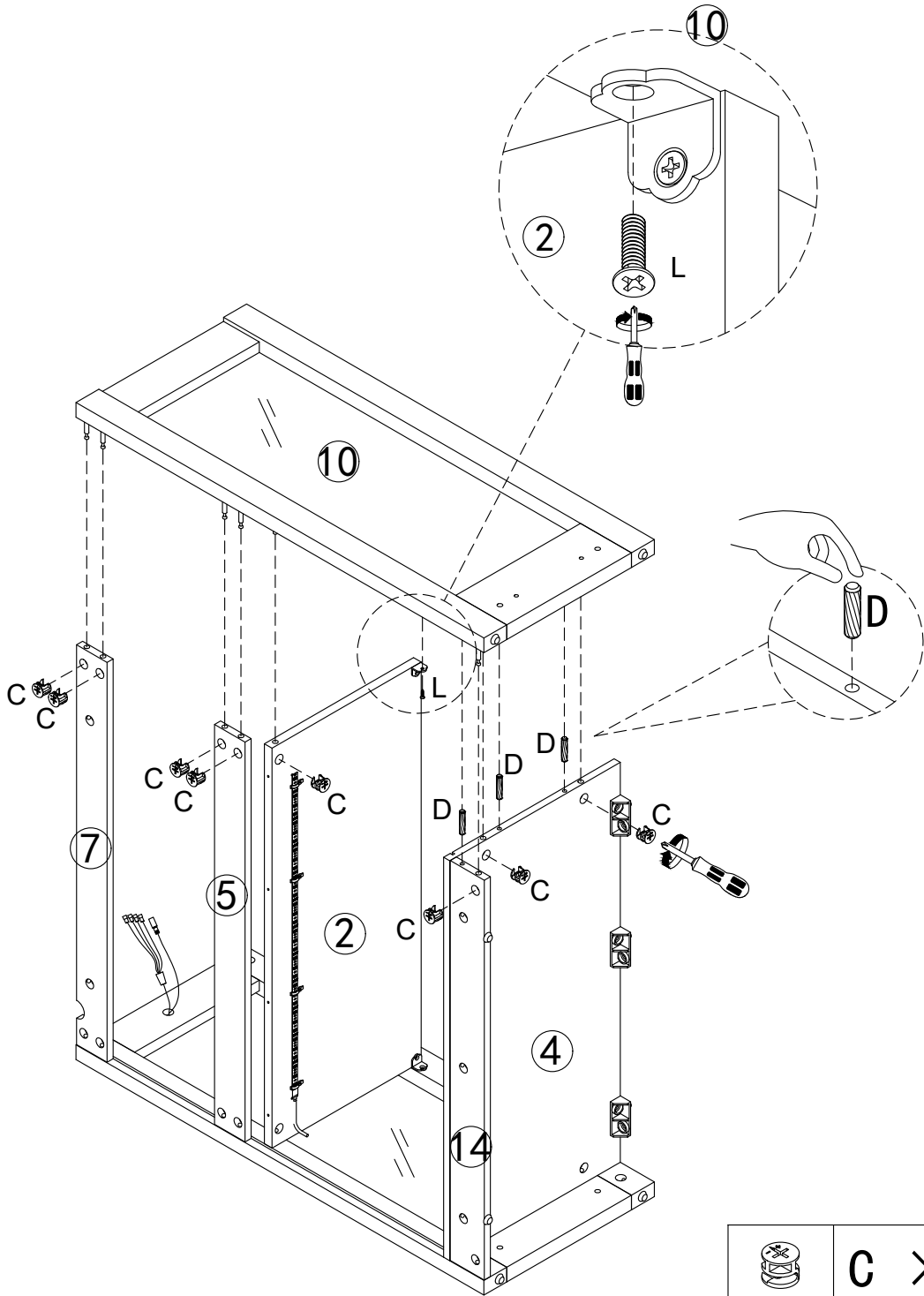
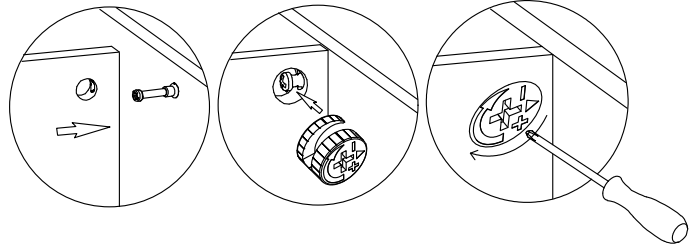
	B × 16PCS
	T2 × 1PC


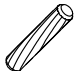

# STEP 4



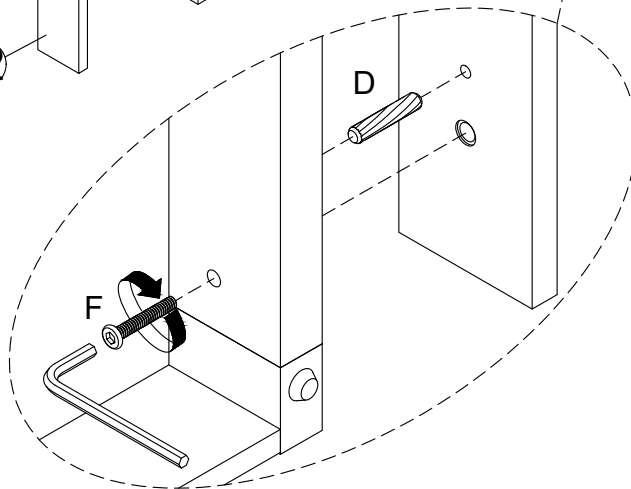
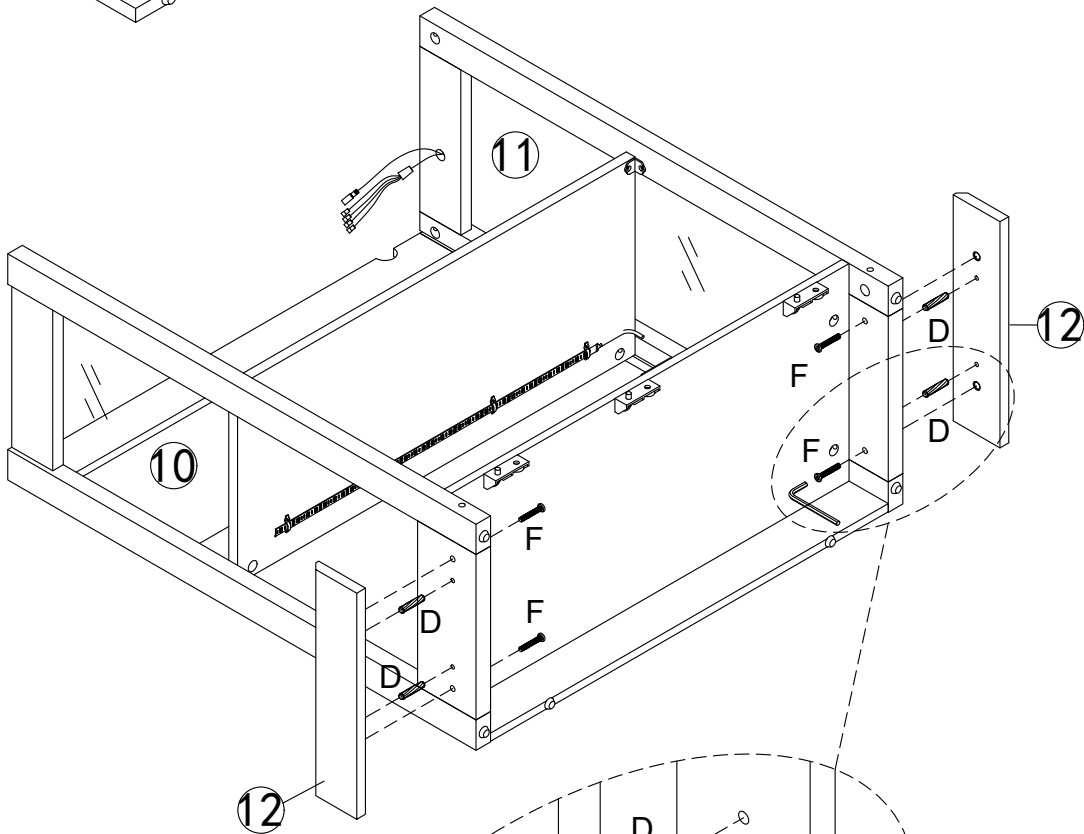
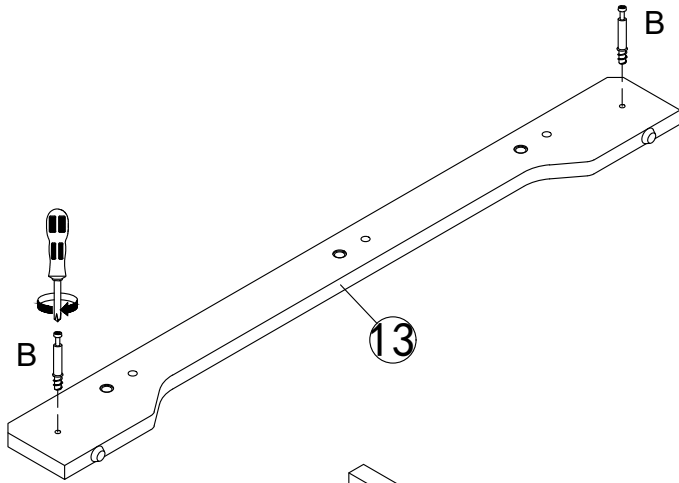
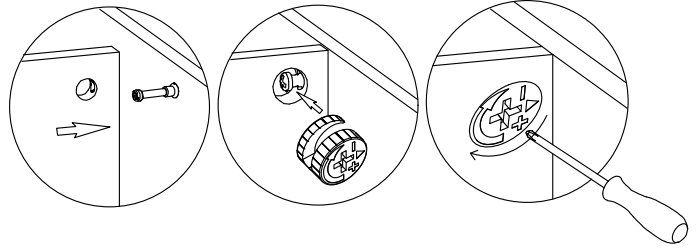
	C × 8PCS
	D × 3PCS
	L × 1PC


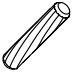

# STEP 5



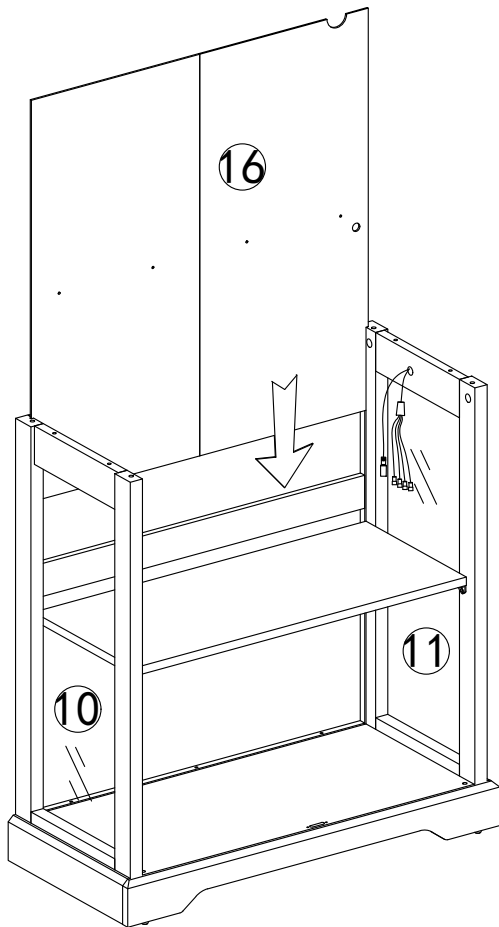
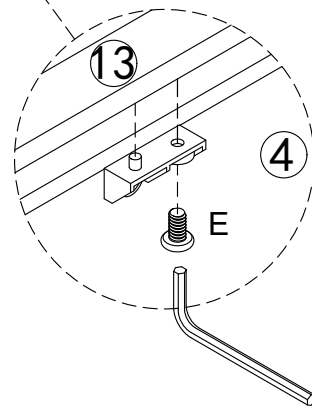
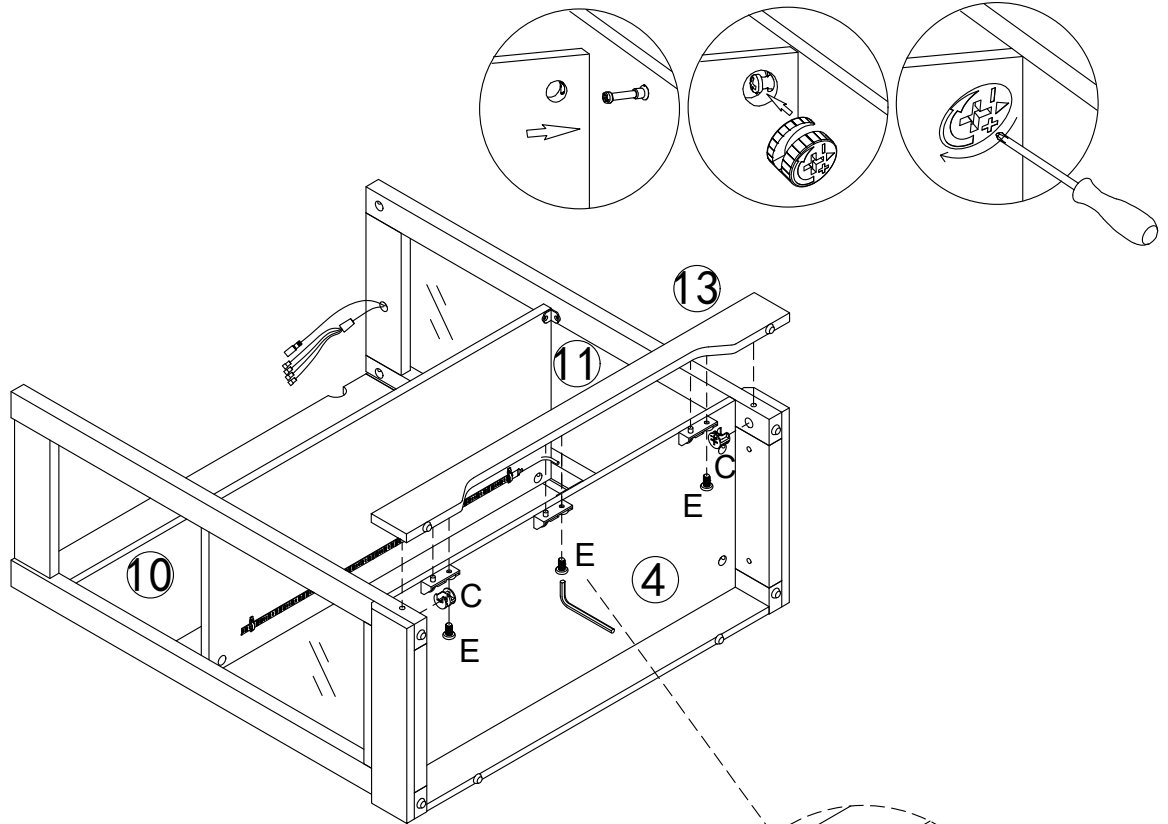
	C × 8PCS
	D × 3PCS
	L × 1PC



# STEP 6



	B × 2PCS
	D × 4PCS
	F × 4PCS

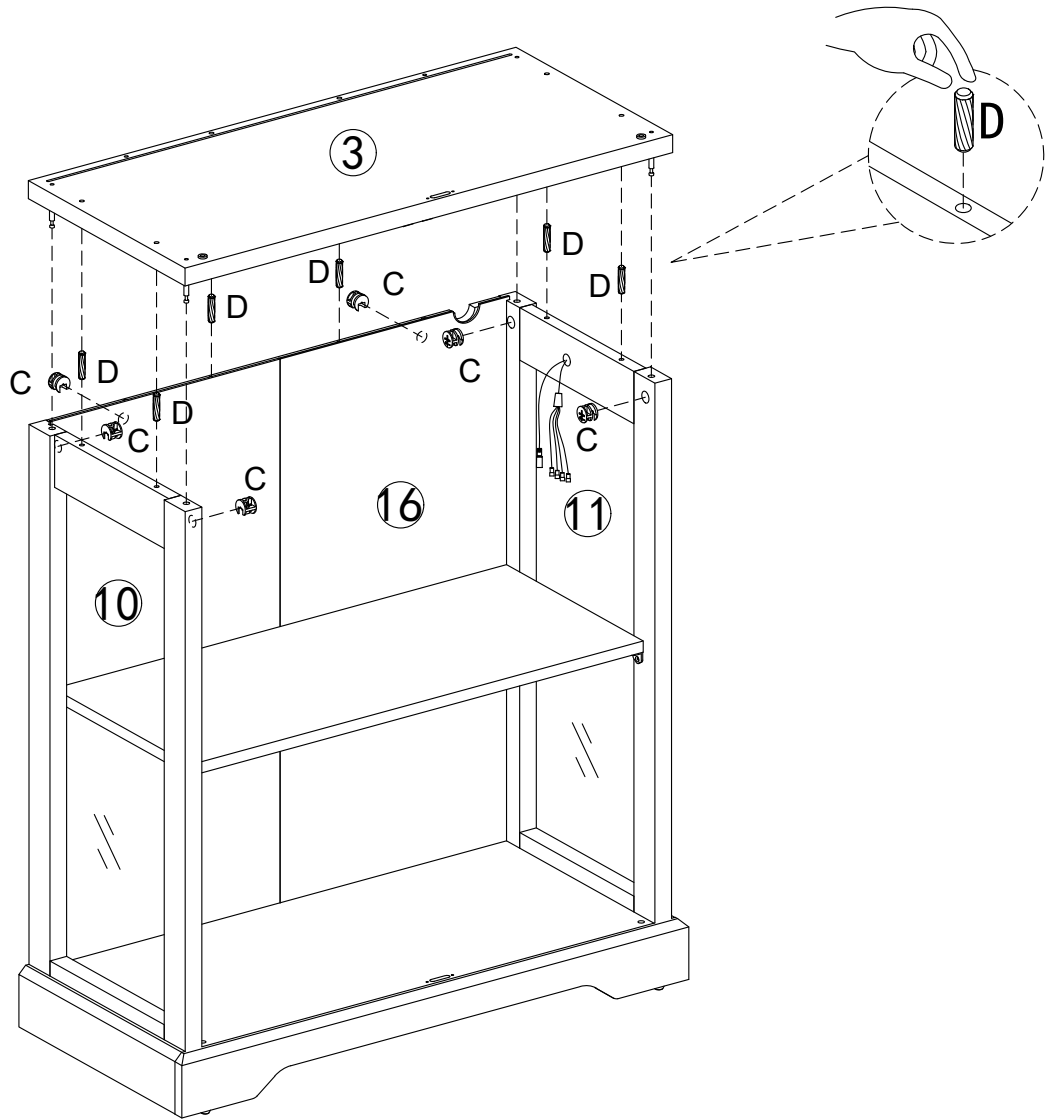
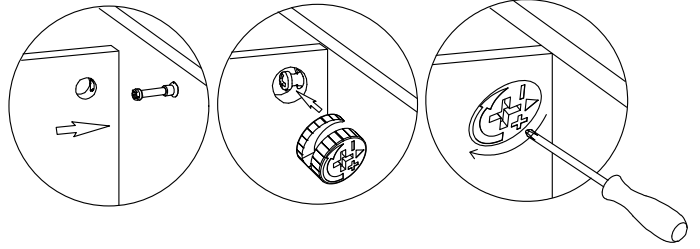
# STEP 7





	C × 2PCS
	E × 3PCS

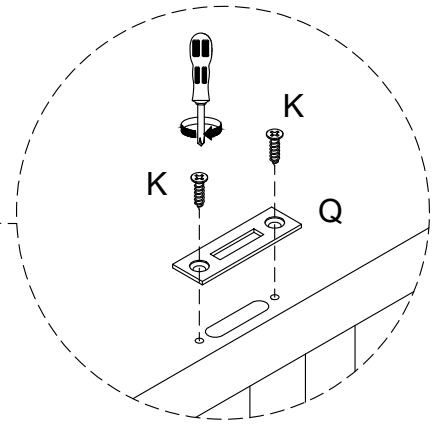
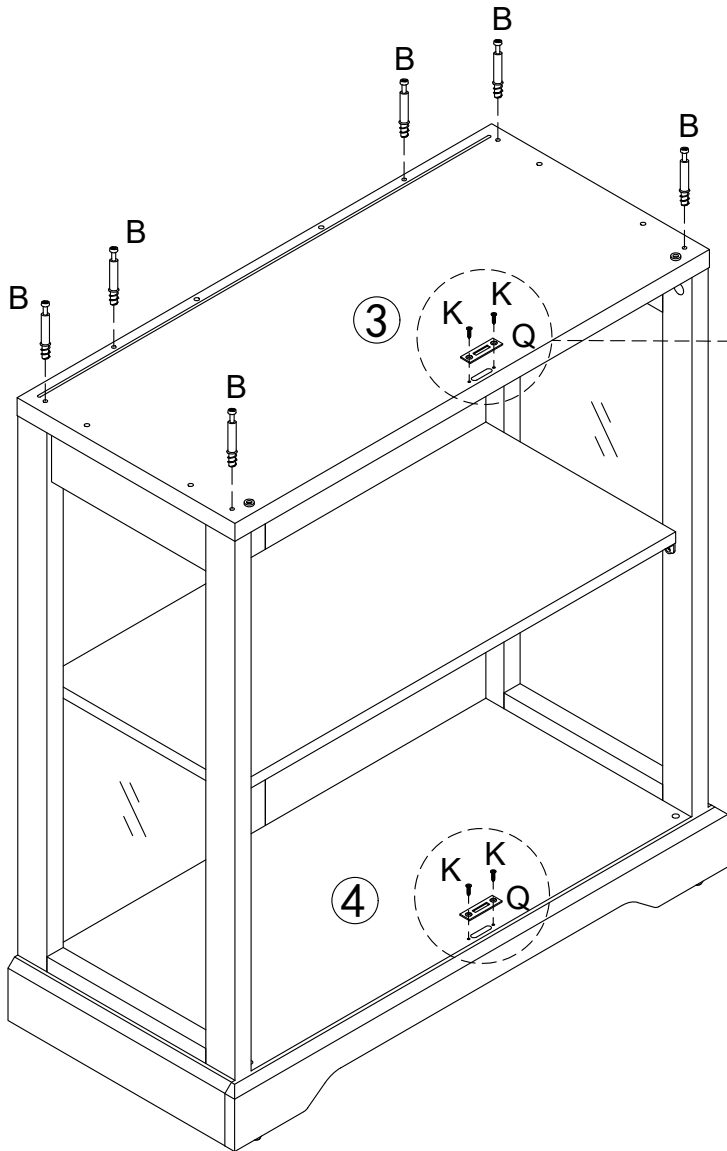
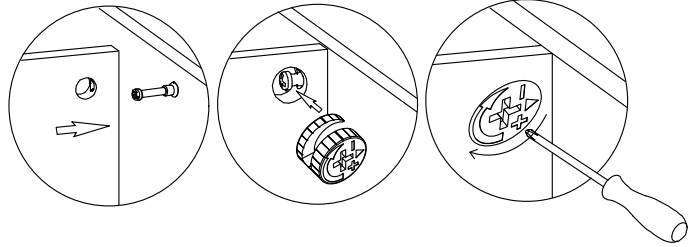




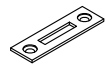
# STEP 9



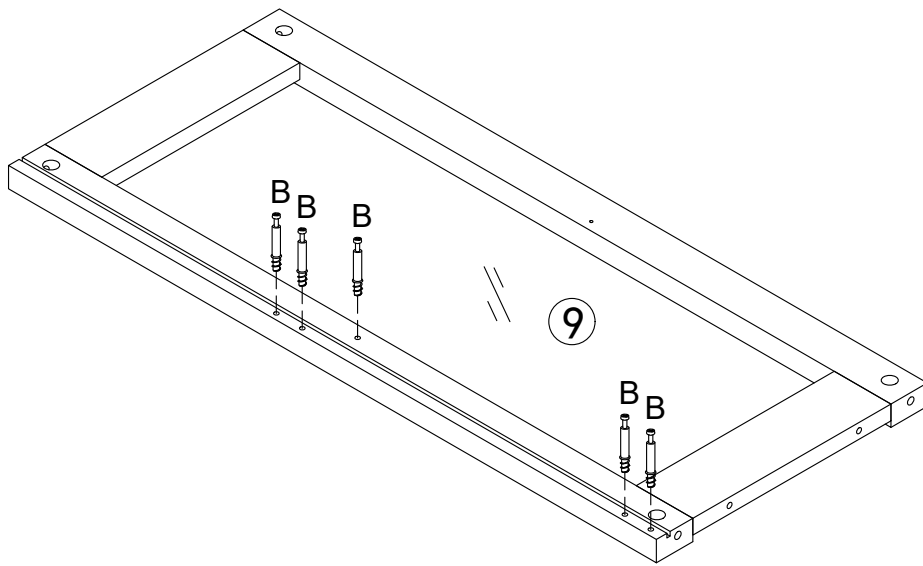
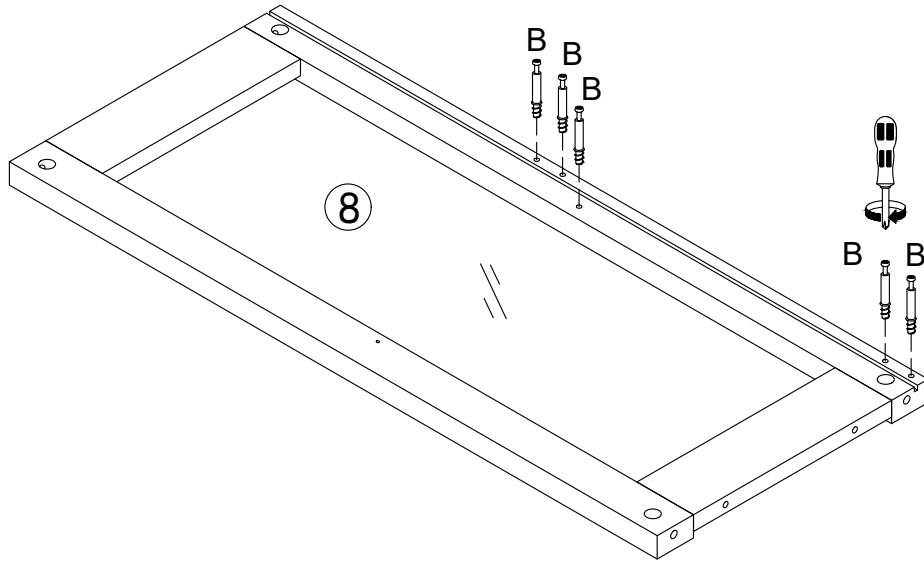
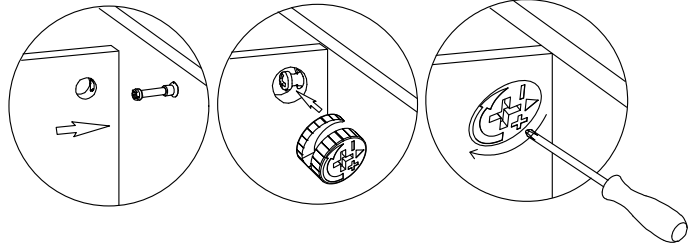
	C × 6PCS
	D × 6PCS


# STEP 10



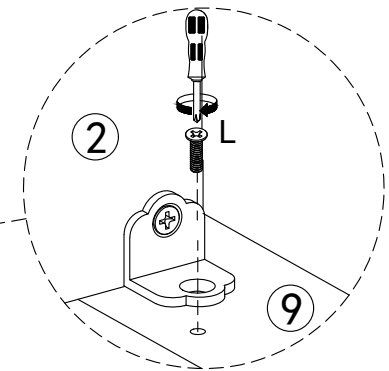
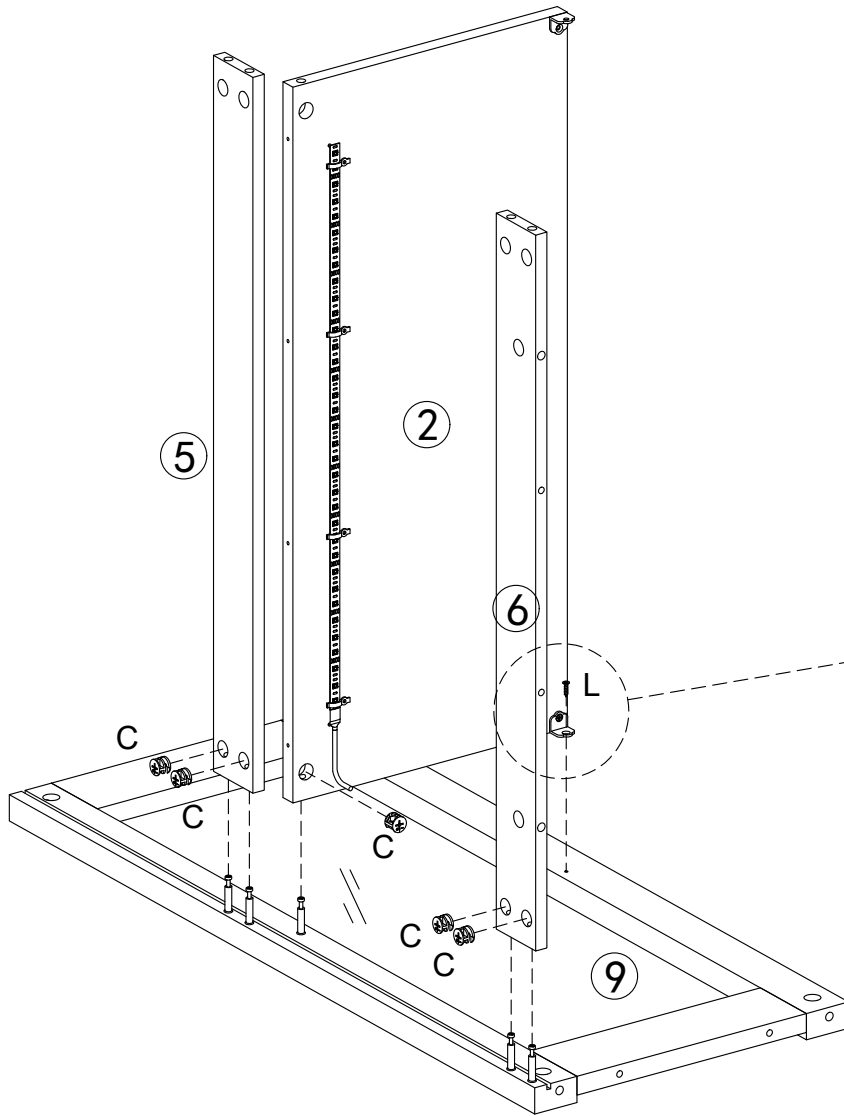
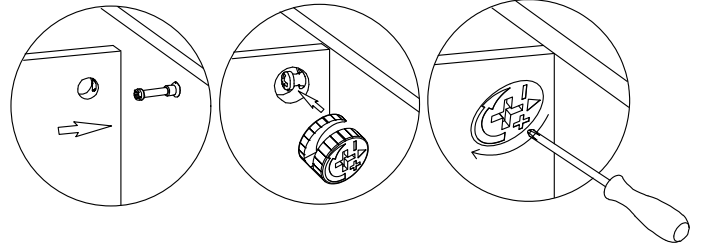
	K × 4PCS
	B × 6PCS
	Q × 2PCS



# STEP 11



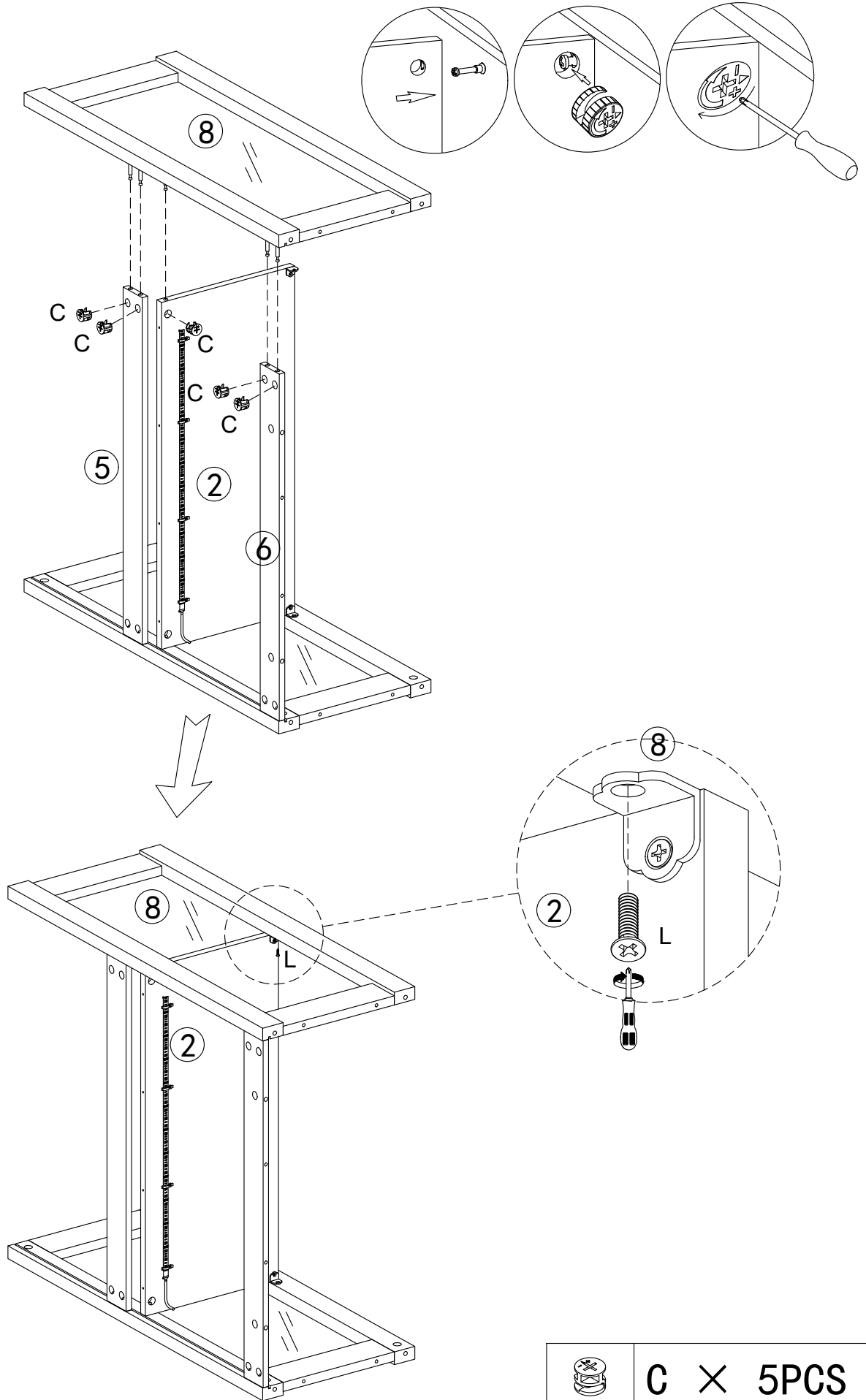
 B × 10PCS



# STEP 12



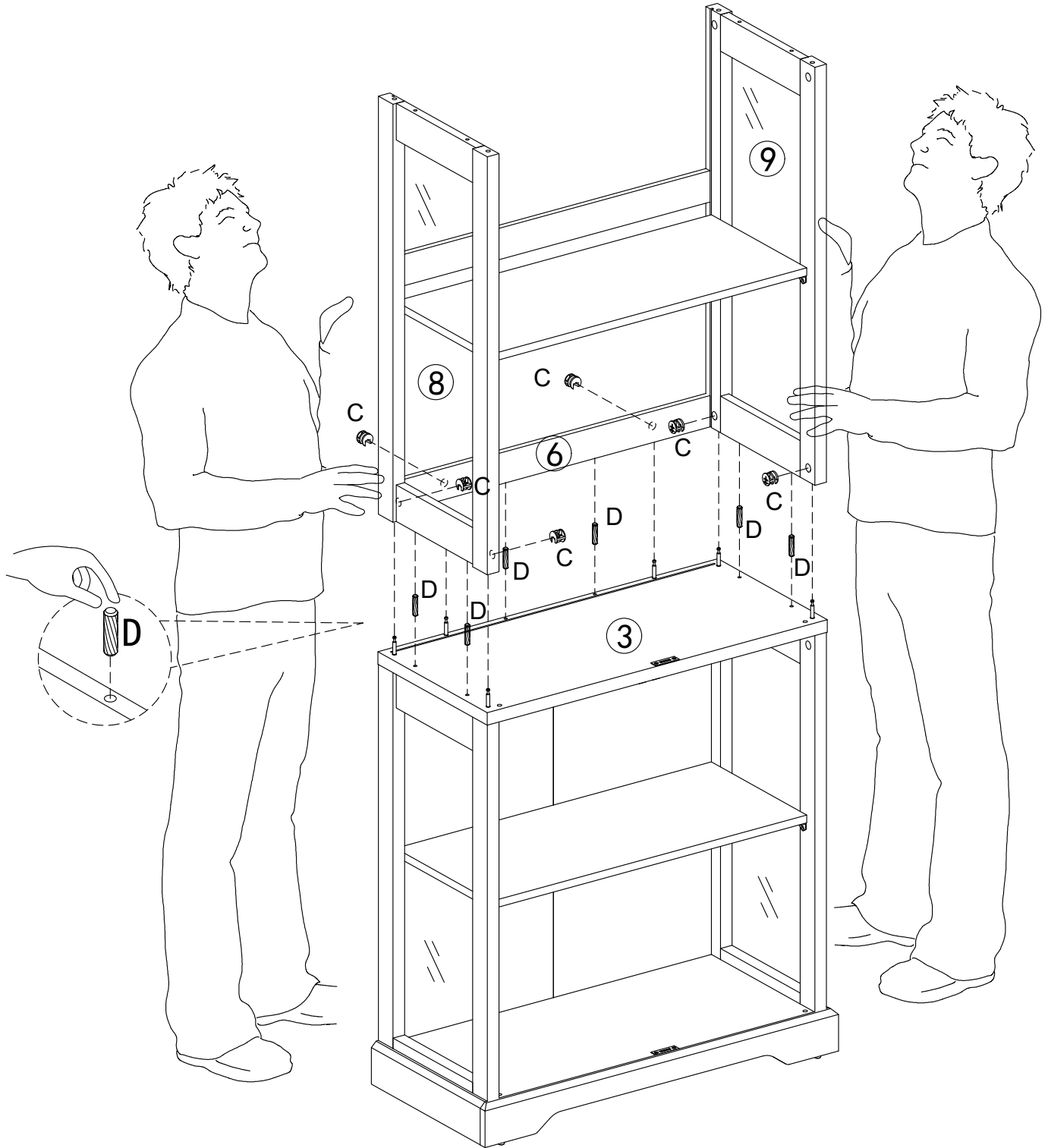
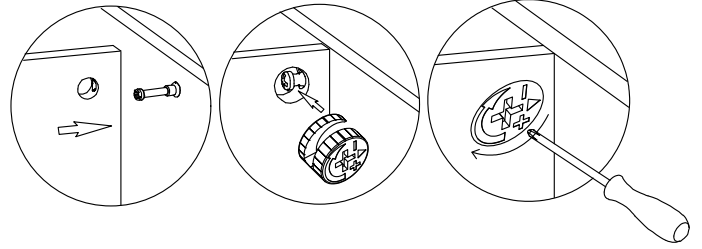
	C × 5PCS
	L × 1PC



# STEP 13



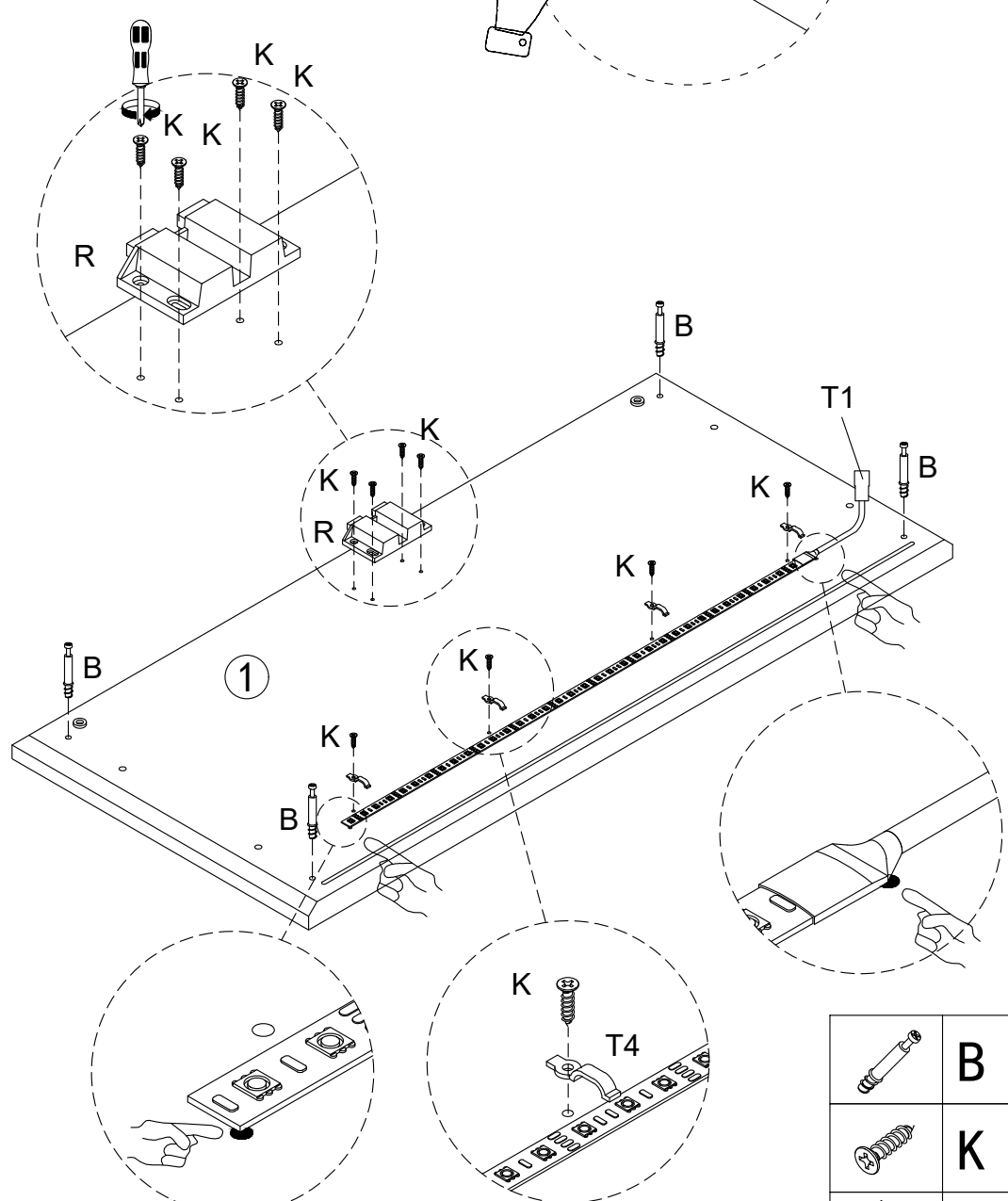
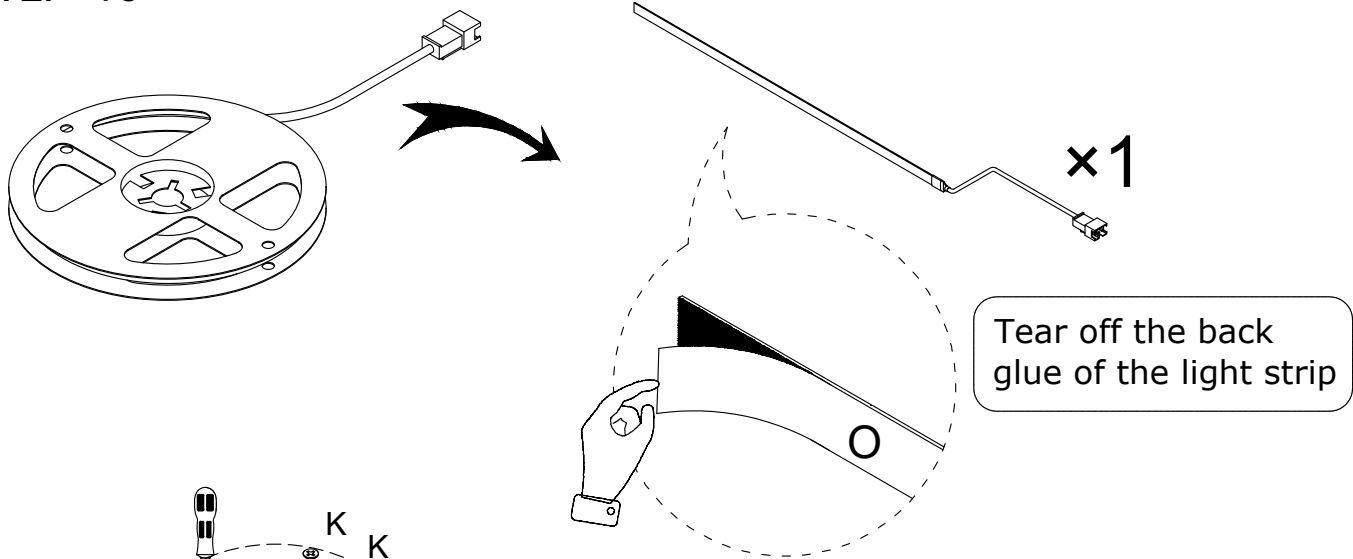
	C × 5PCS
	L × 1PC

# STEP 14



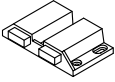




	<b>C × 6PCS</b>
	<b>D × 6PCS</b>

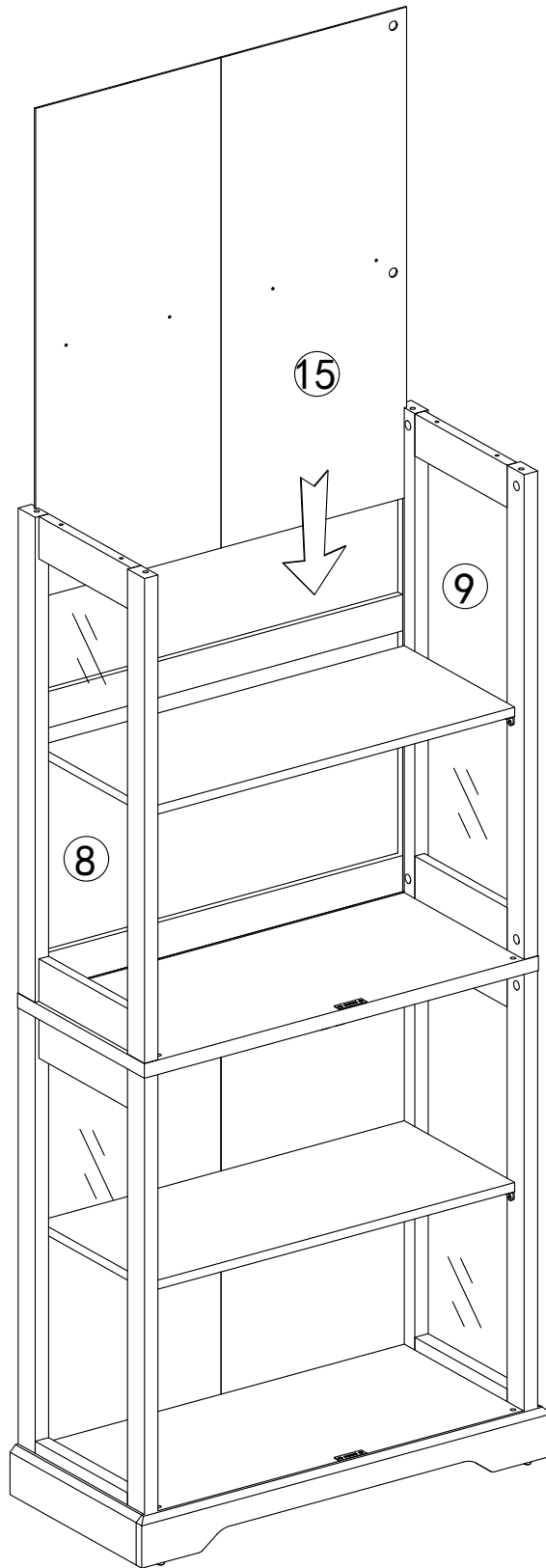
# STEP 15



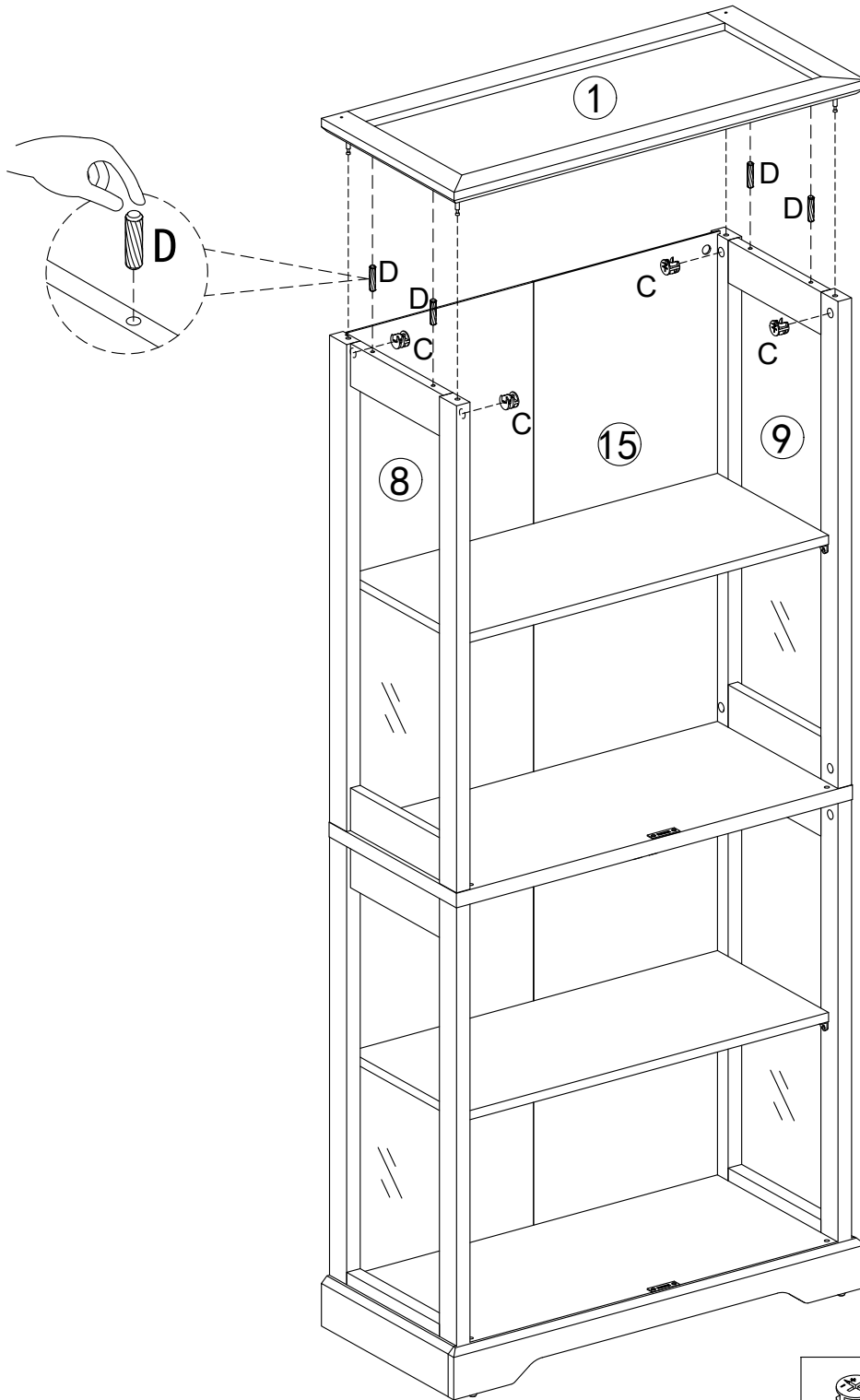
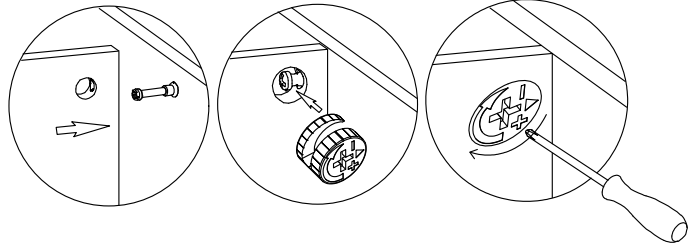
**TIP:** When pasting, please align the corners of the light strip with the center of the 2 guide holes to ensure that the light strip is straight.



	<b>B × 4PCS</b>
	<b>K × 8PCS</b>
	<b>R × 1PC</b>
	<b>T4 × 4PCS</b>
	<b>T1 × 1PC</b>

# STEP 16

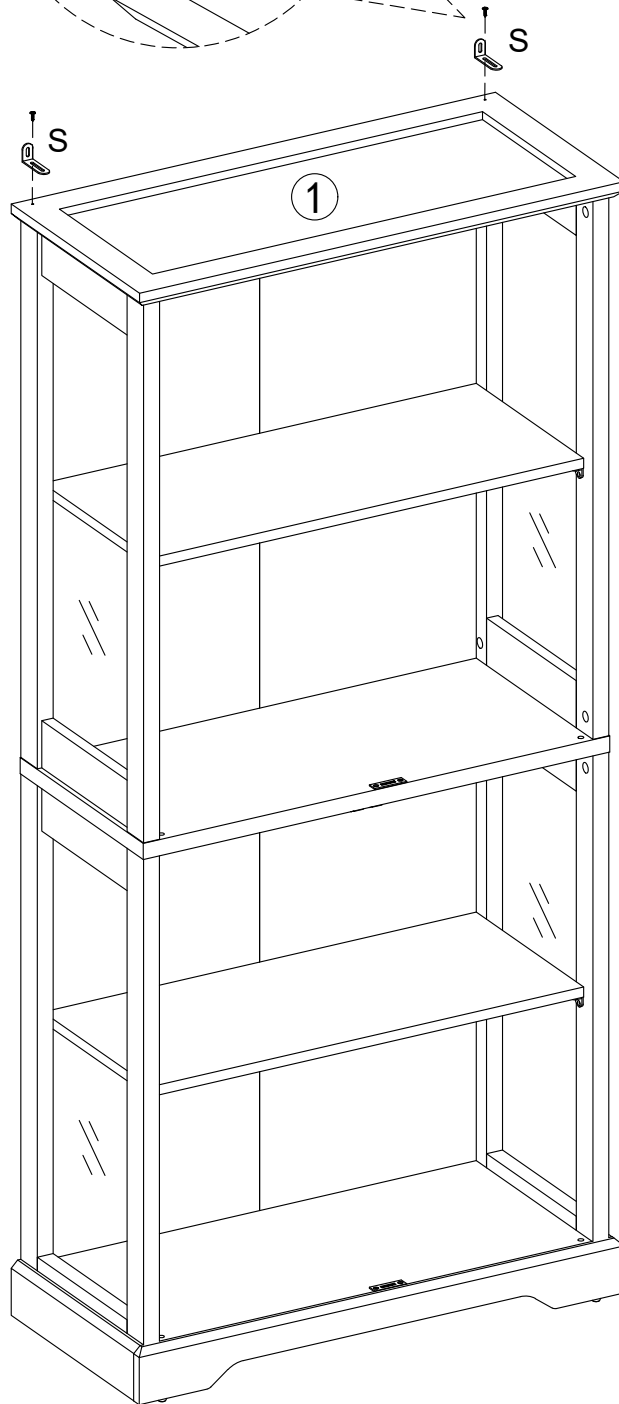
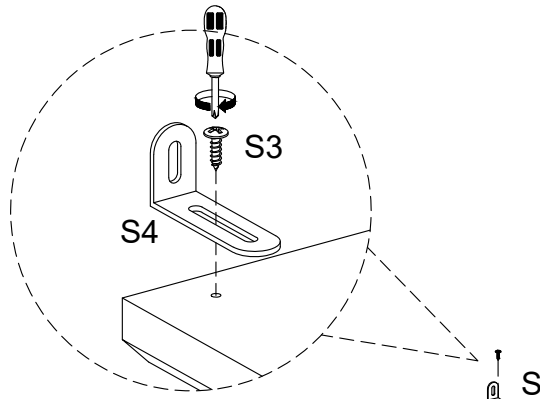




# STEP 17



	<b>C × 4PCS</b>
	<b>D × 4PCS</b>

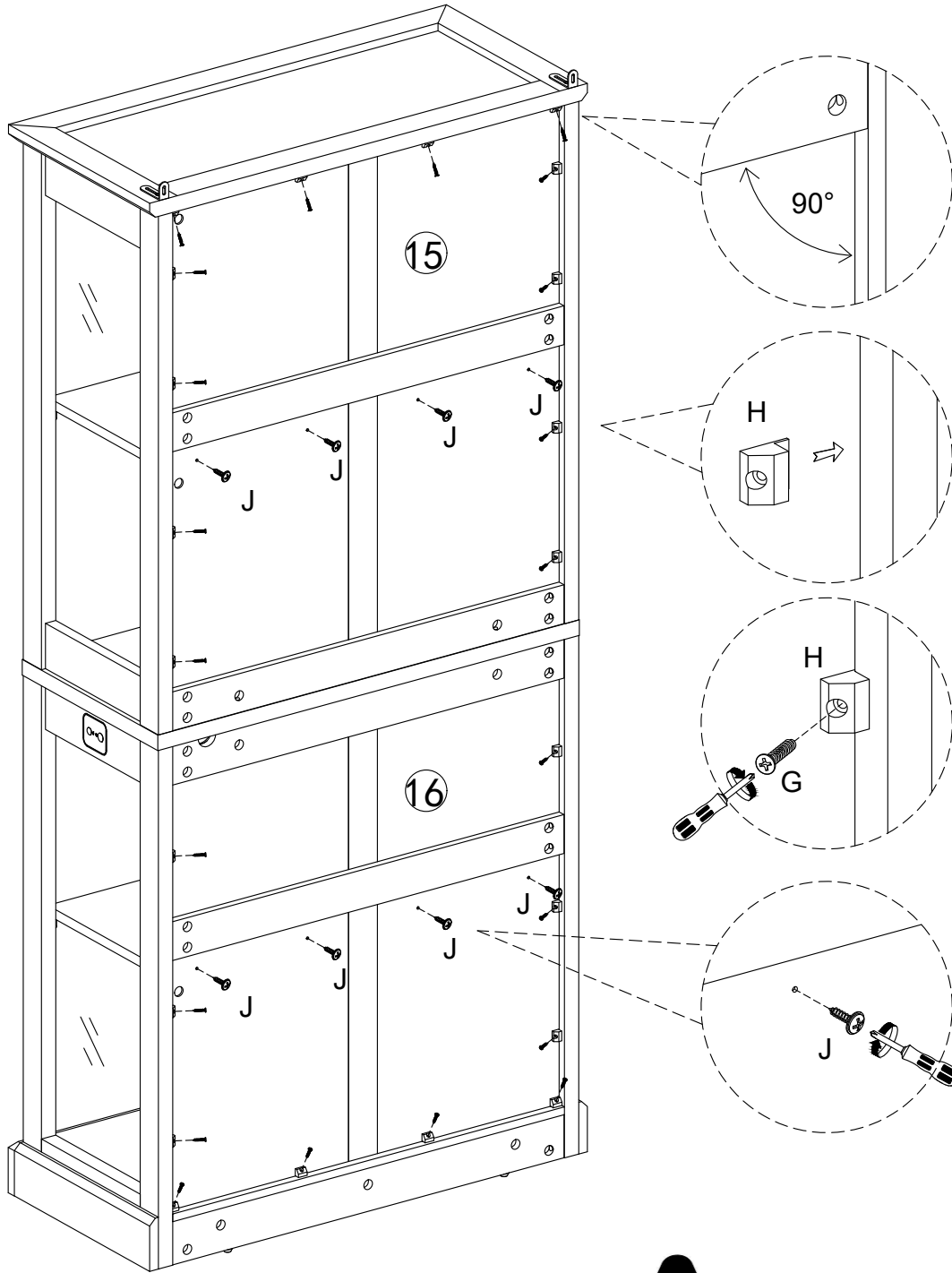
# STEP 18



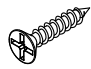
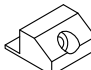
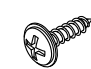
 S3	 S4	S × 2SET
--	---	----------

# STEP 19

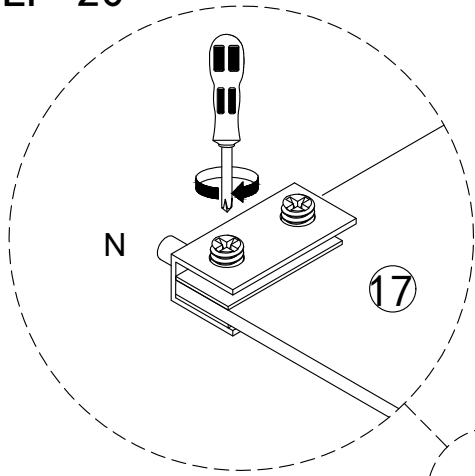
Attention: Before install the mending wedges, make sure that the angle of the cabinet's corner is 90°



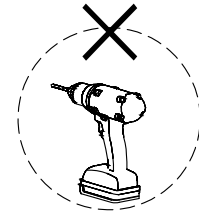
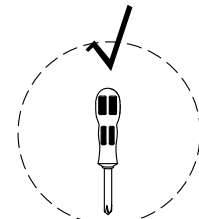
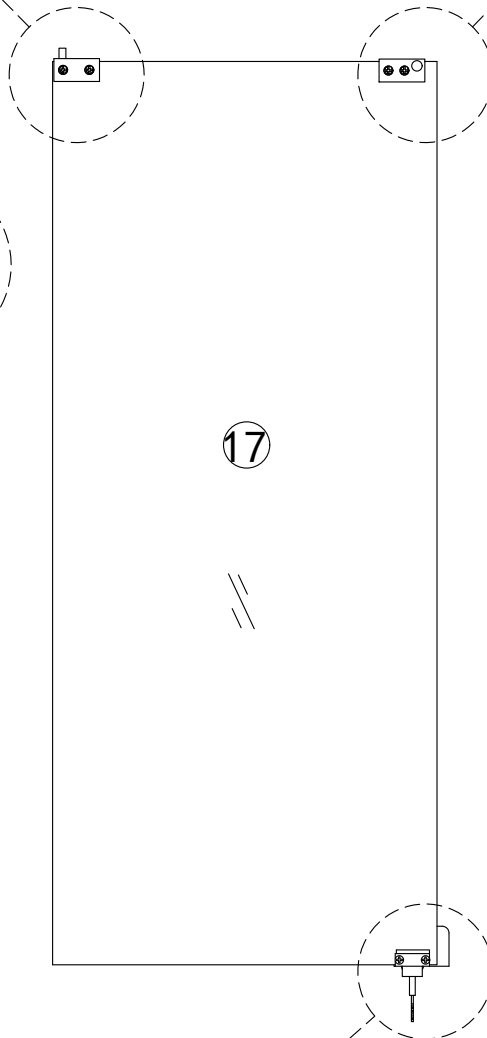
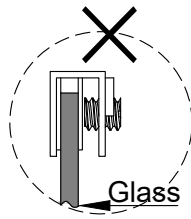
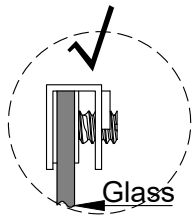
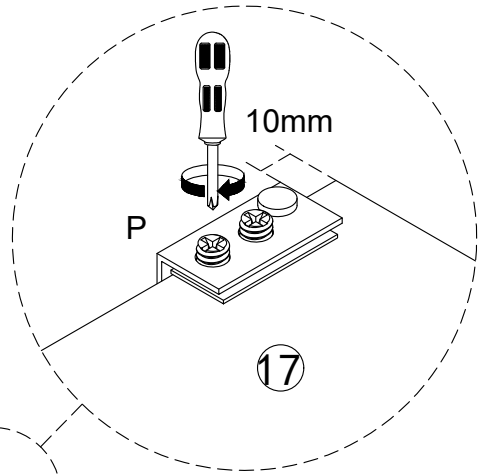
Attention: Please be sure to install these mending wedges to ensure the stability of the cabinet!!!!

	G × 22PCS
	H × 22PCS
	J × 8PCS

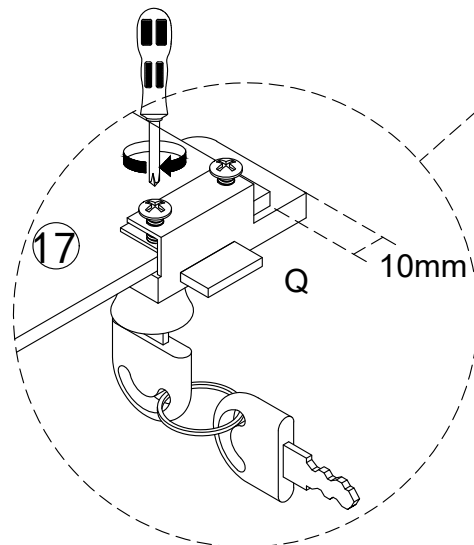
# STEP 20



A rubber gasket should be placed between the clamp and the glass.

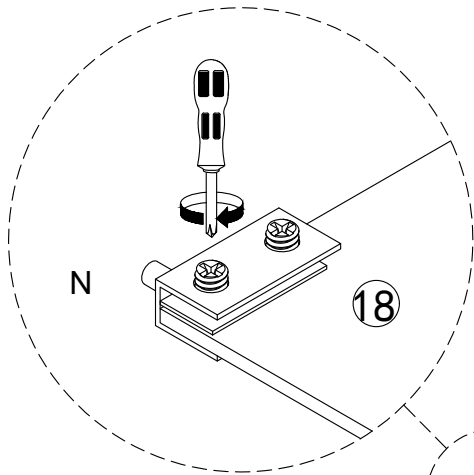


A rubber gasket should be placed between the clamp and the glass.

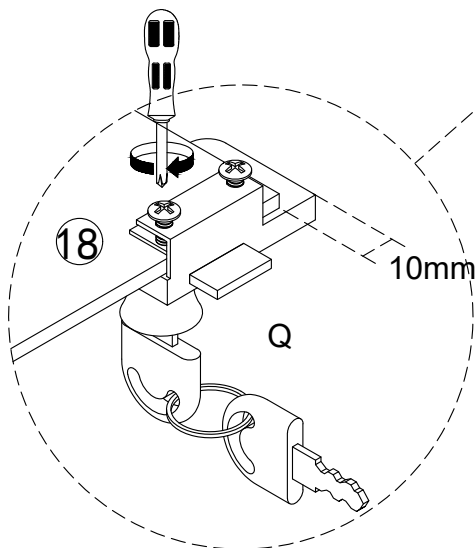
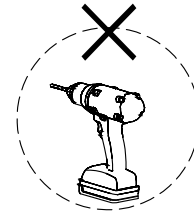
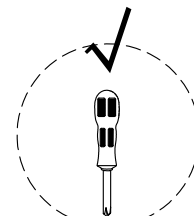
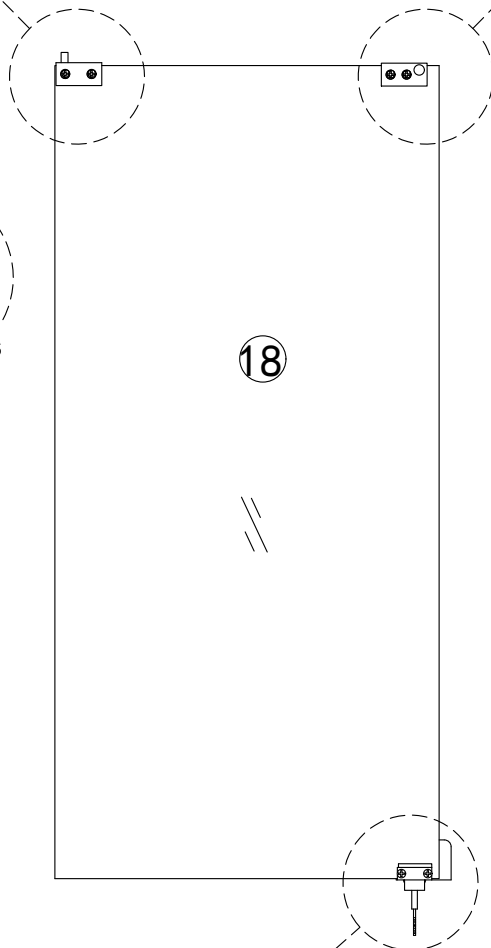
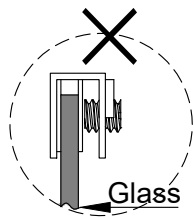
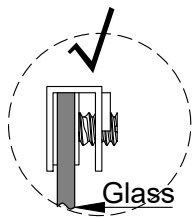
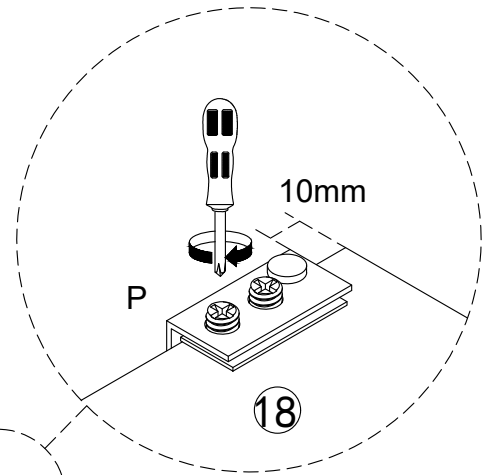


	N × 1SET
	P × 1SET
	Q × 1SET

# STEP 21



A rubber gasket should be placed between the clamp and the glass.

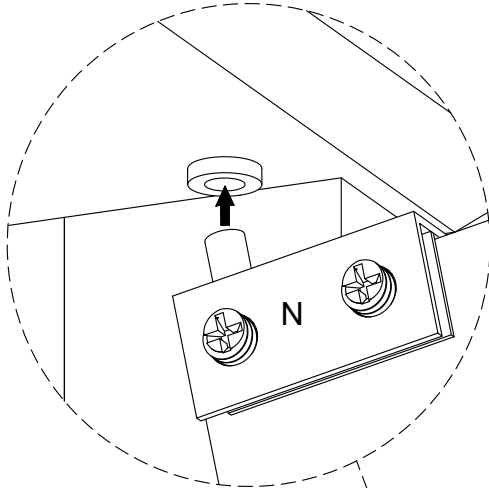


A rubber gasket should be placed between the clamp and the glass.

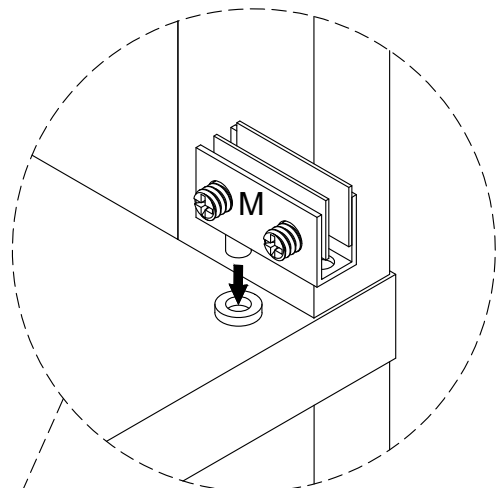
	N × 1SET
	P × 1SET
	Q × 1SET

# STEP 22

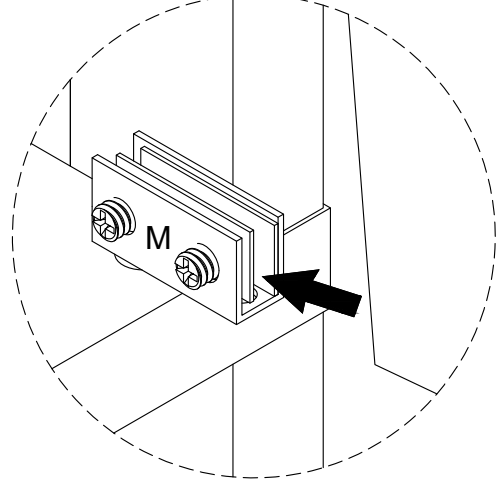
step 1



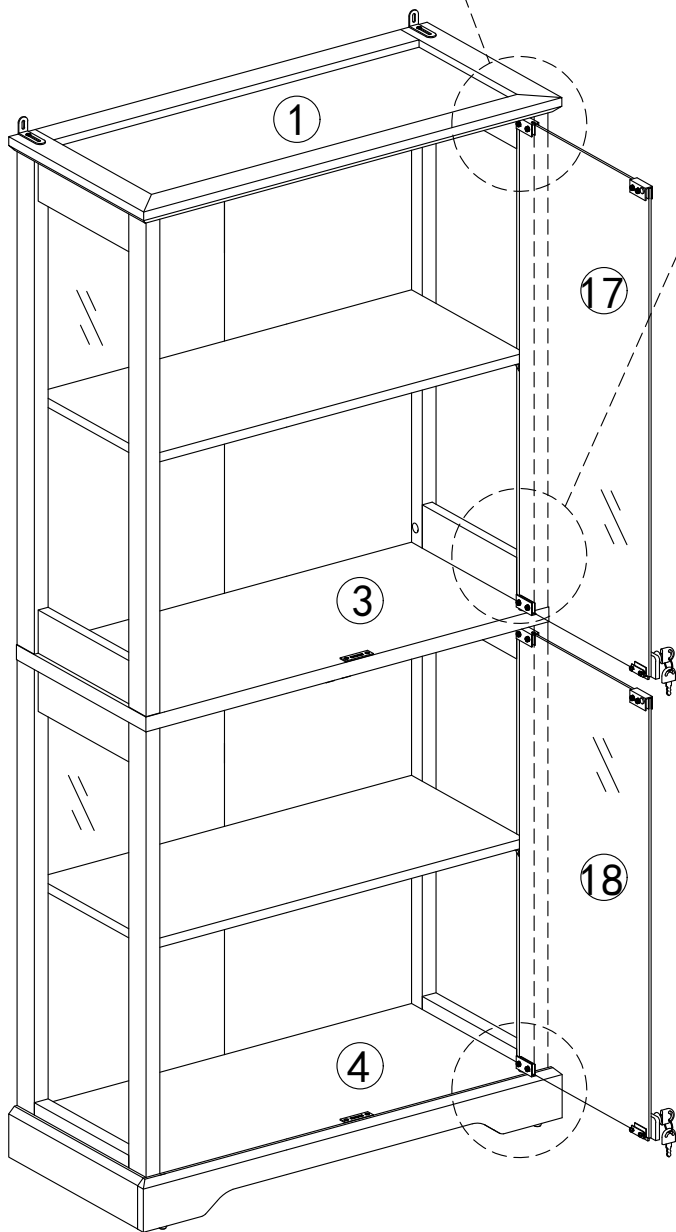
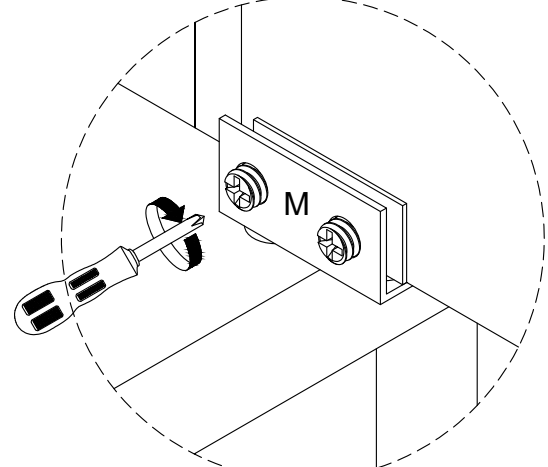
step 2



step 3



step 4

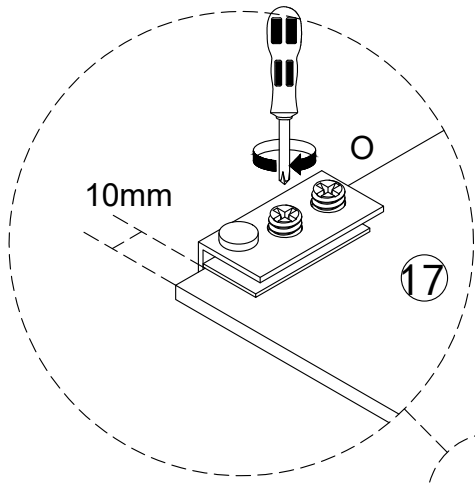


A rubber gasket should be placed between the clamp and the glass.

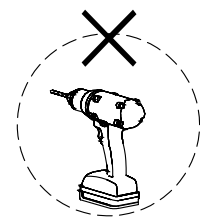
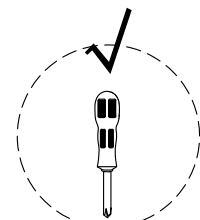
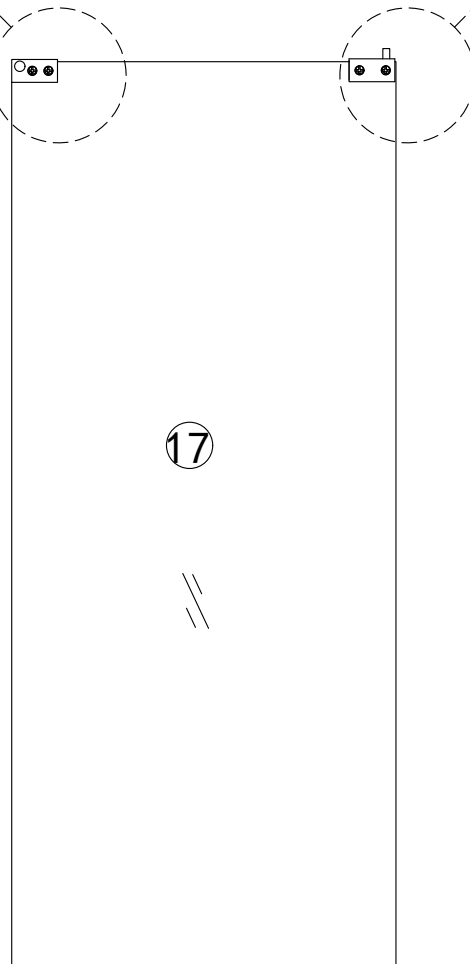
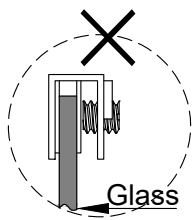
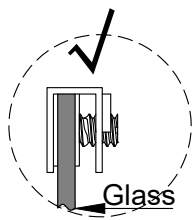
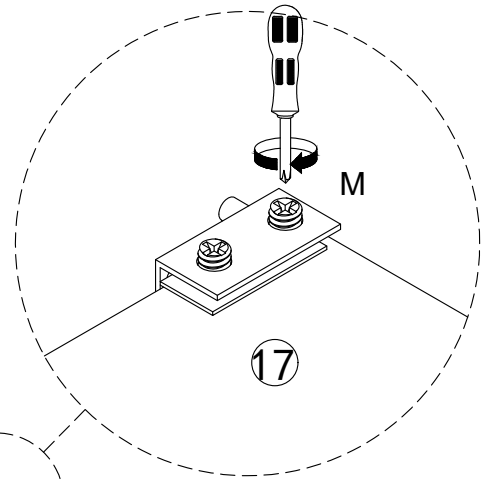


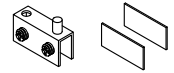
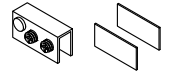
M × 2SET

# STEP 23

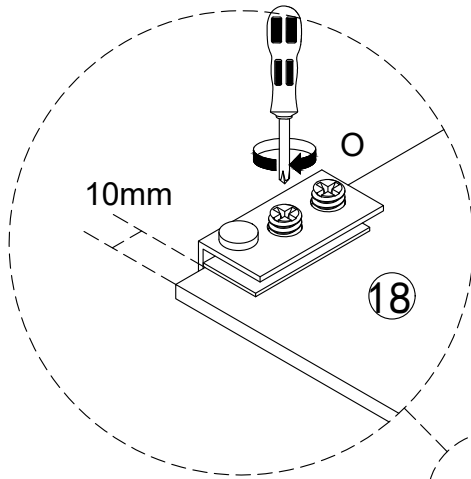


A rubber gasket should be placed between the clamp and the glass.

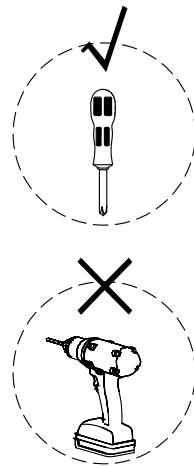
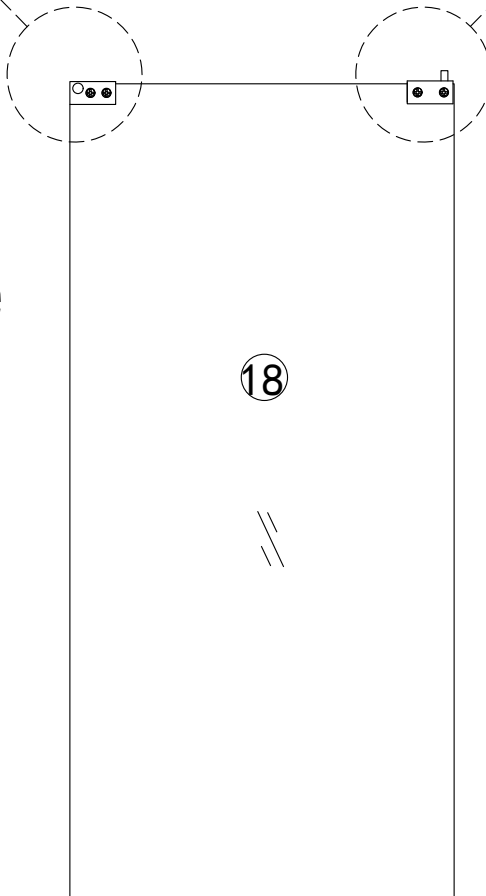
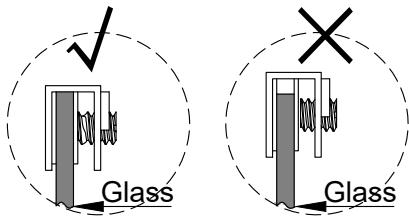
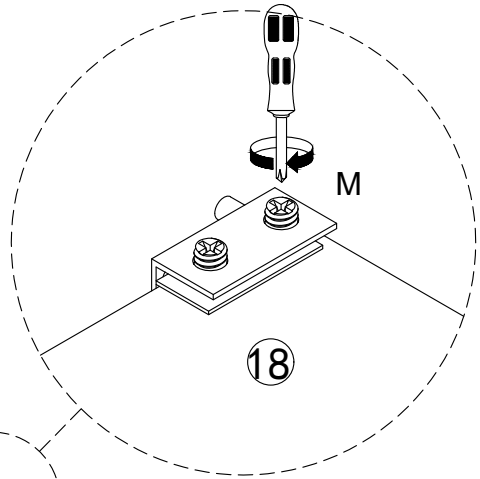


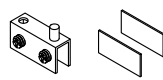
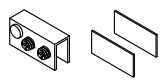
	M × 1SET
	O × 1SET

# STEP 24



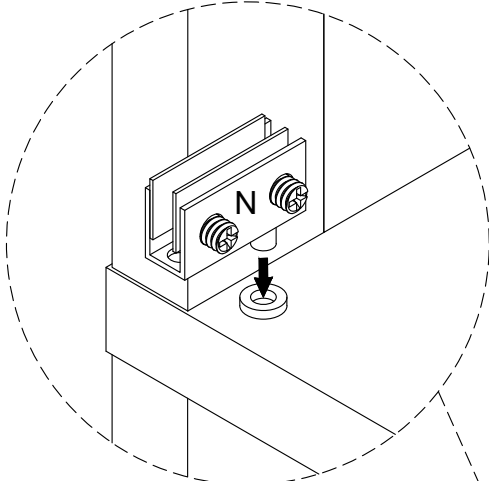
A rubber gasket should be placed between the clamp and the glass.



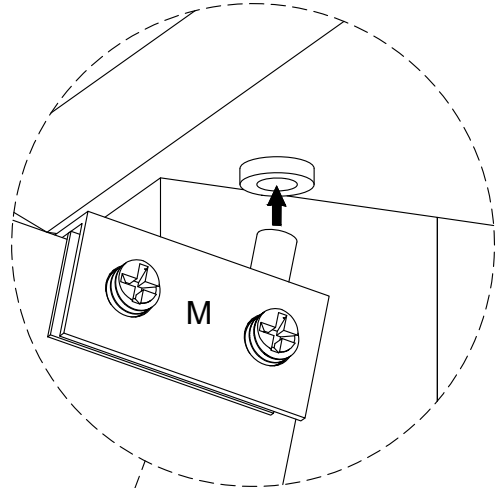
	M × 1SET
	O × 1SET

# STEP 25

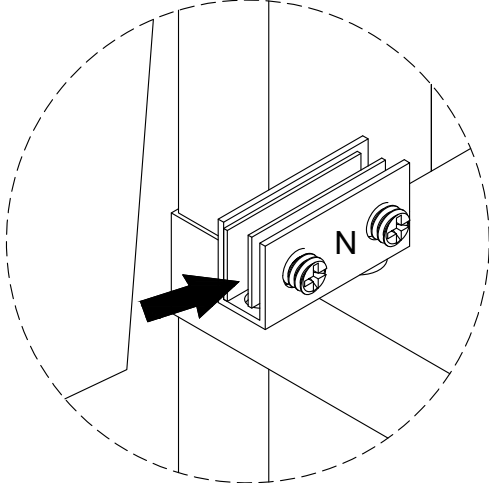
step 2



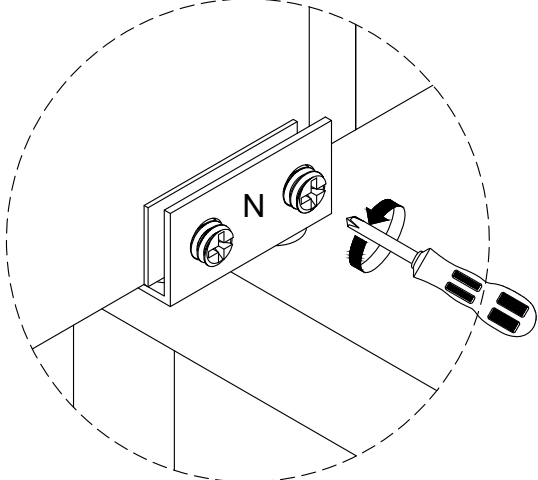
step 1



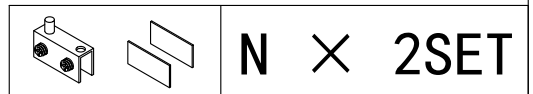
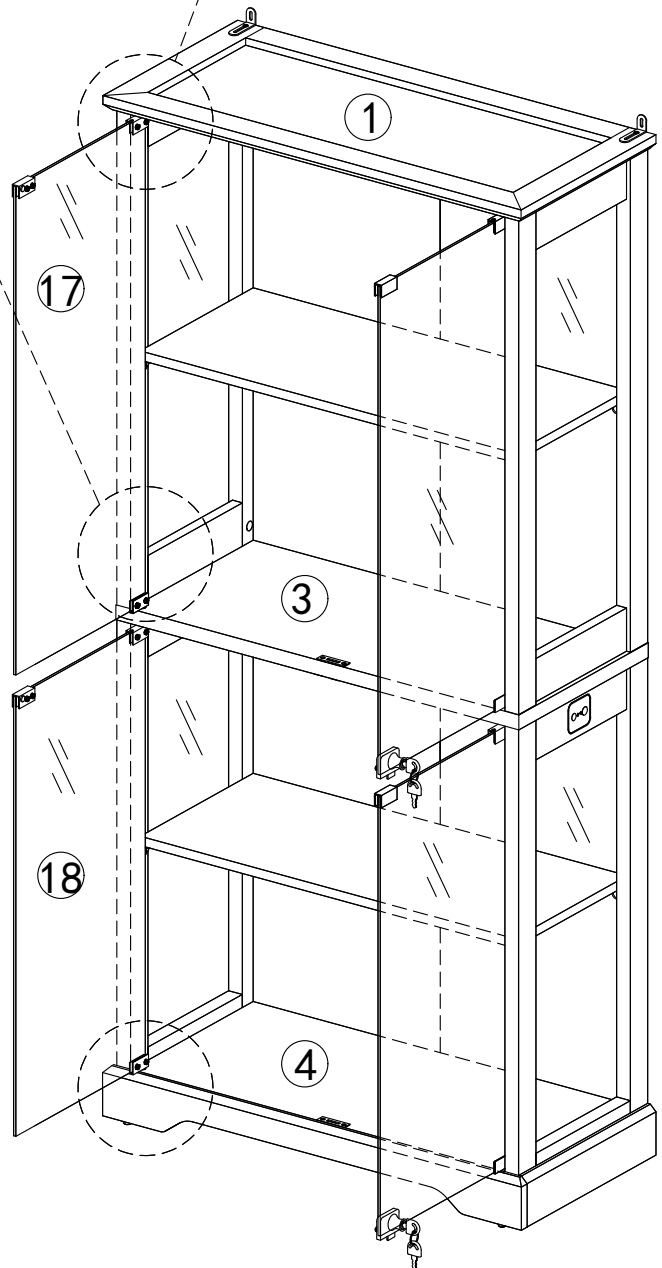
step 3



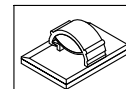
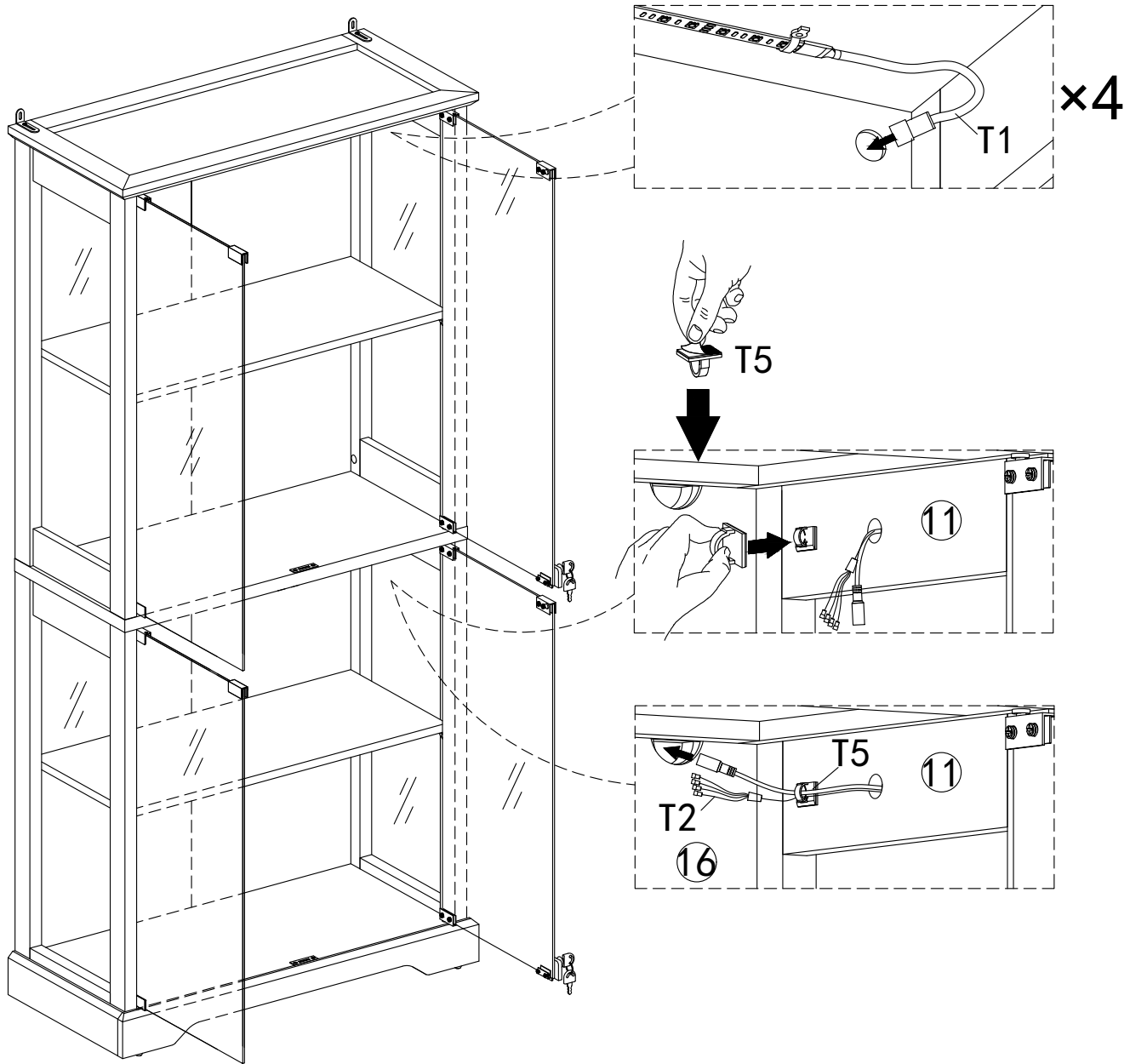
step 4



A rubber gasket should be placed between the clamp and the glass.

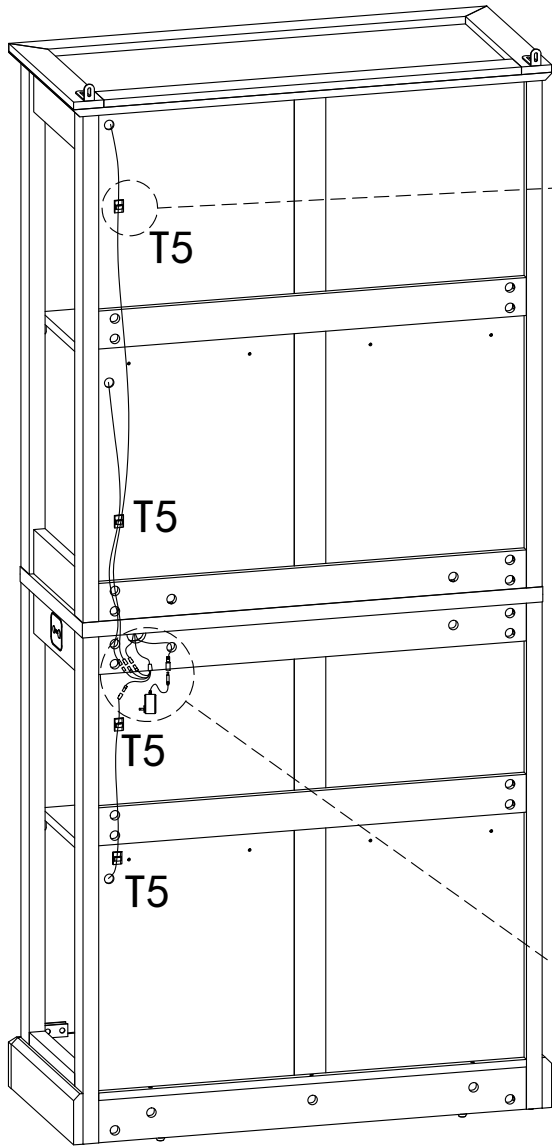


# STEP 26

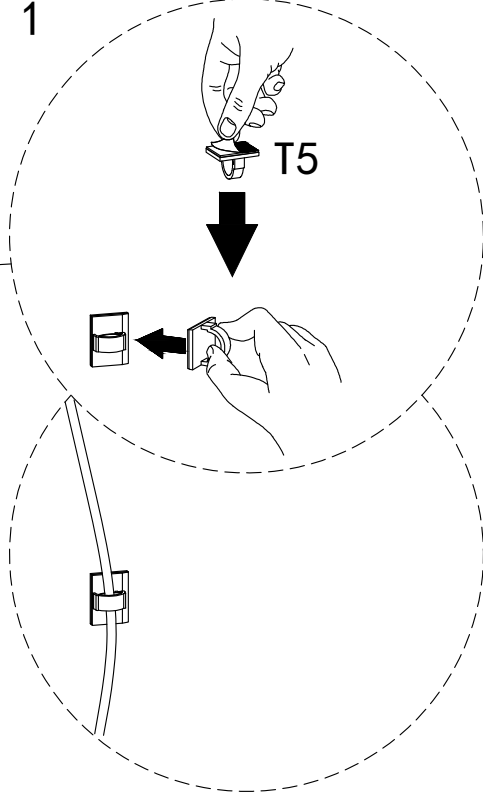


T5 × 1PC

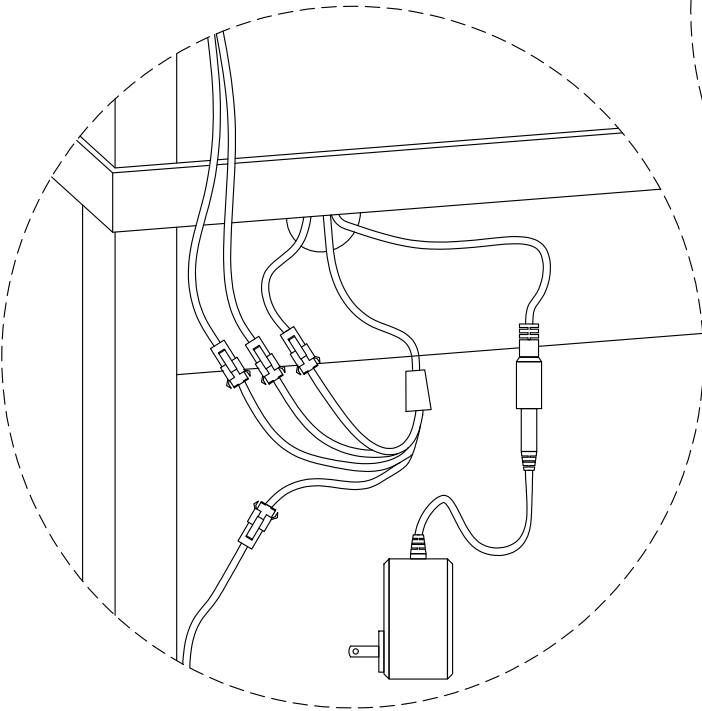
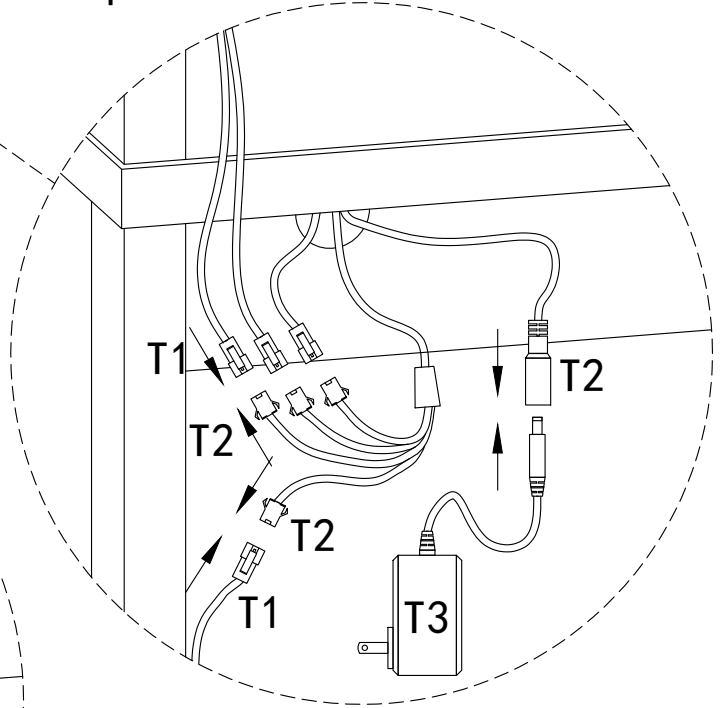
# STEP 27

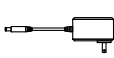



step 1

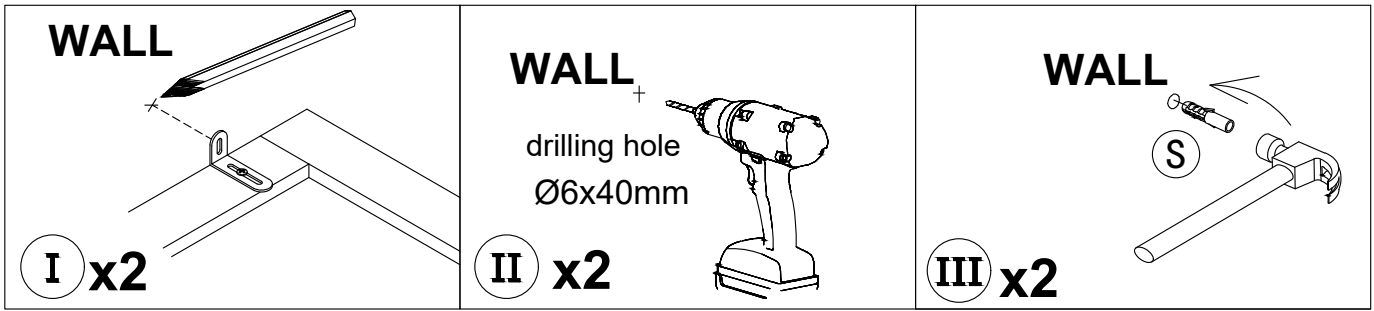


step 2



	T3 × 1PC
	T5 × 4PCS

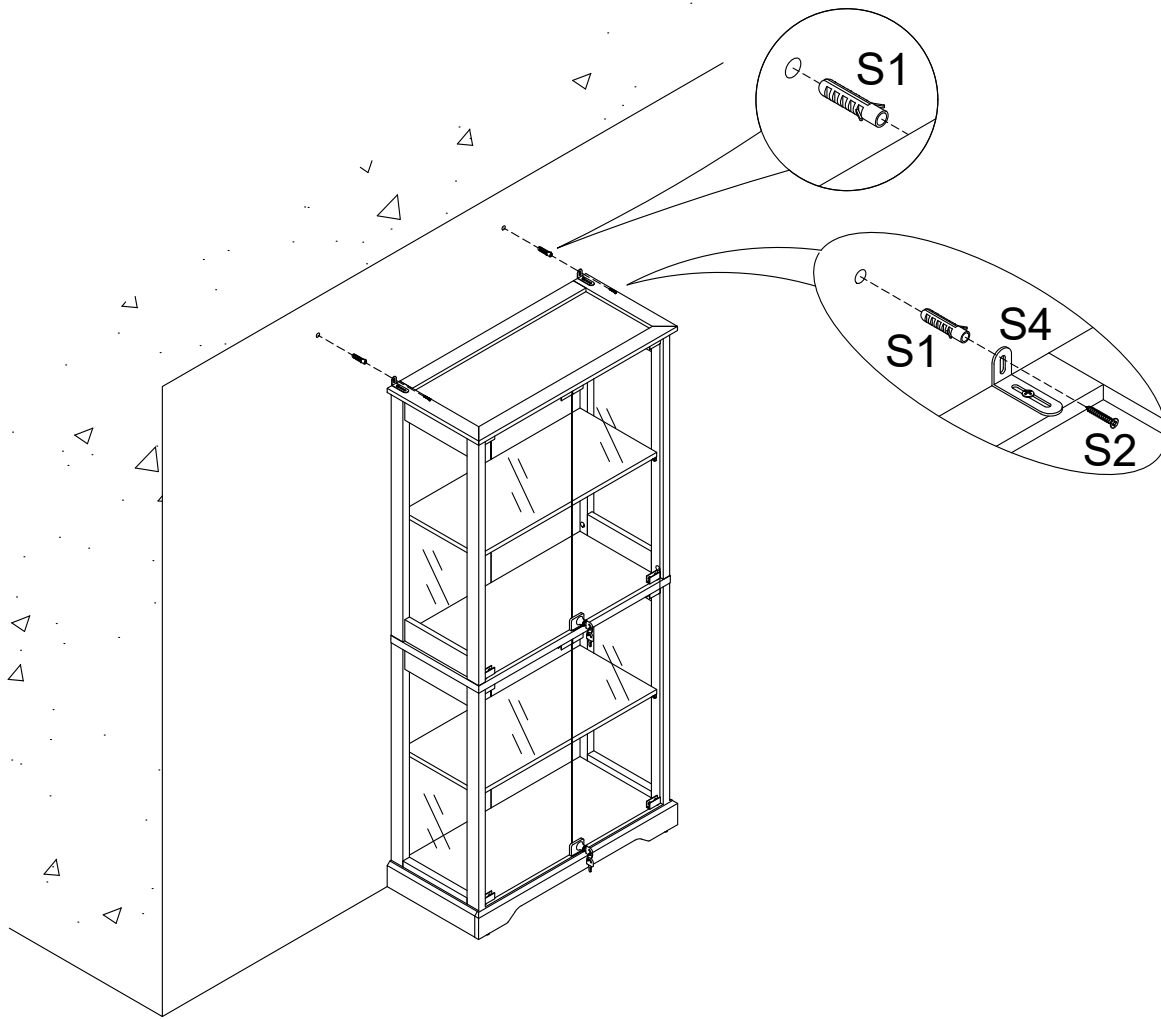
# STEP 28




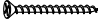
Mark the drill positions on the wall with a pencil.

Drill the holes on the marked positions.

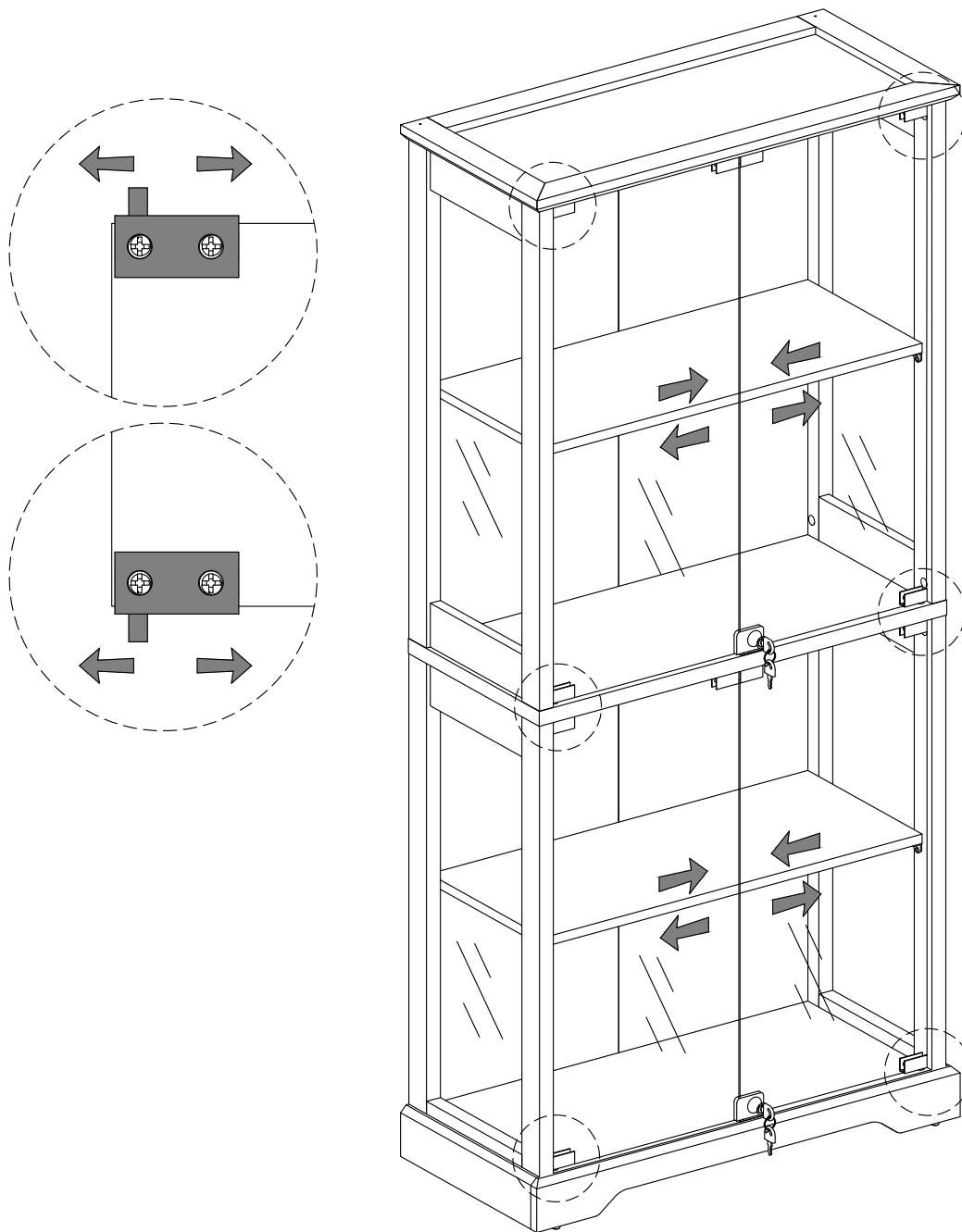
Insert the wall anchors into the drilled holes.



Drill a hole in the wall, then hammer the R1 into the wall with a hammer.  
 Note: Follow step link R4 and S1 with a S2 using a screwdriver, and assembly it tightly.

		S × 2SET
S1	S2	

## STEP 29



If the door gap is uneven, loosen the screws, adjust the door position left or right as needed, and then retighten the screws.