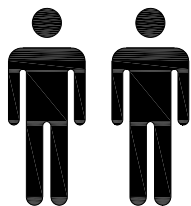


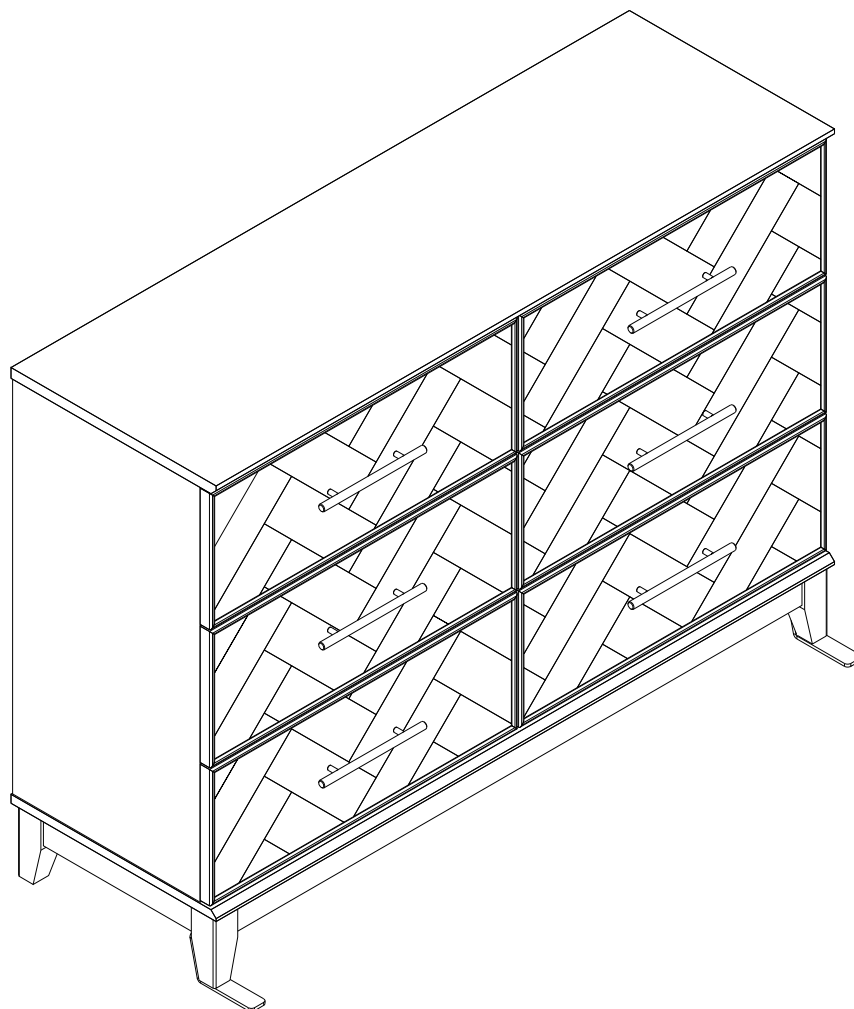
ASSEMBLY INSTRUCTION

If there are any questions during the assembly process, please contact us.

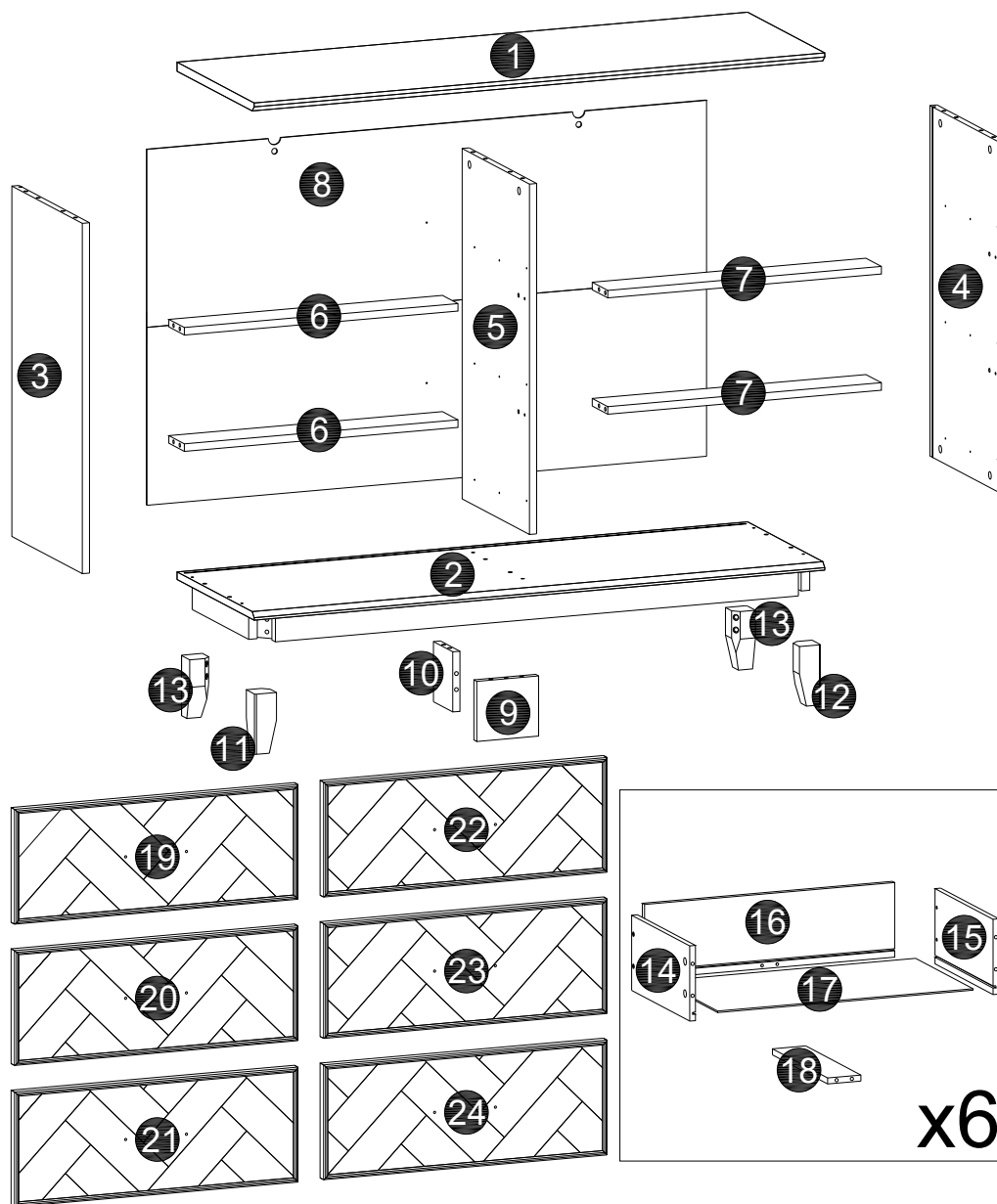
A video and description about the step you were stucked will help us to understand the problem quickly.

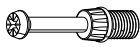

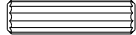

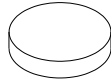
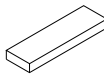
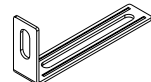
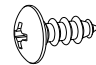
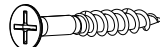

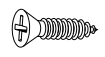
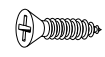








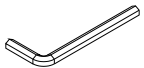
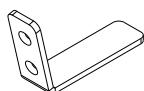
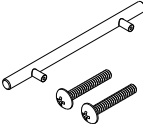
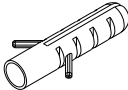
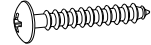
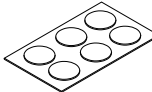


2 person required to
assemble this product

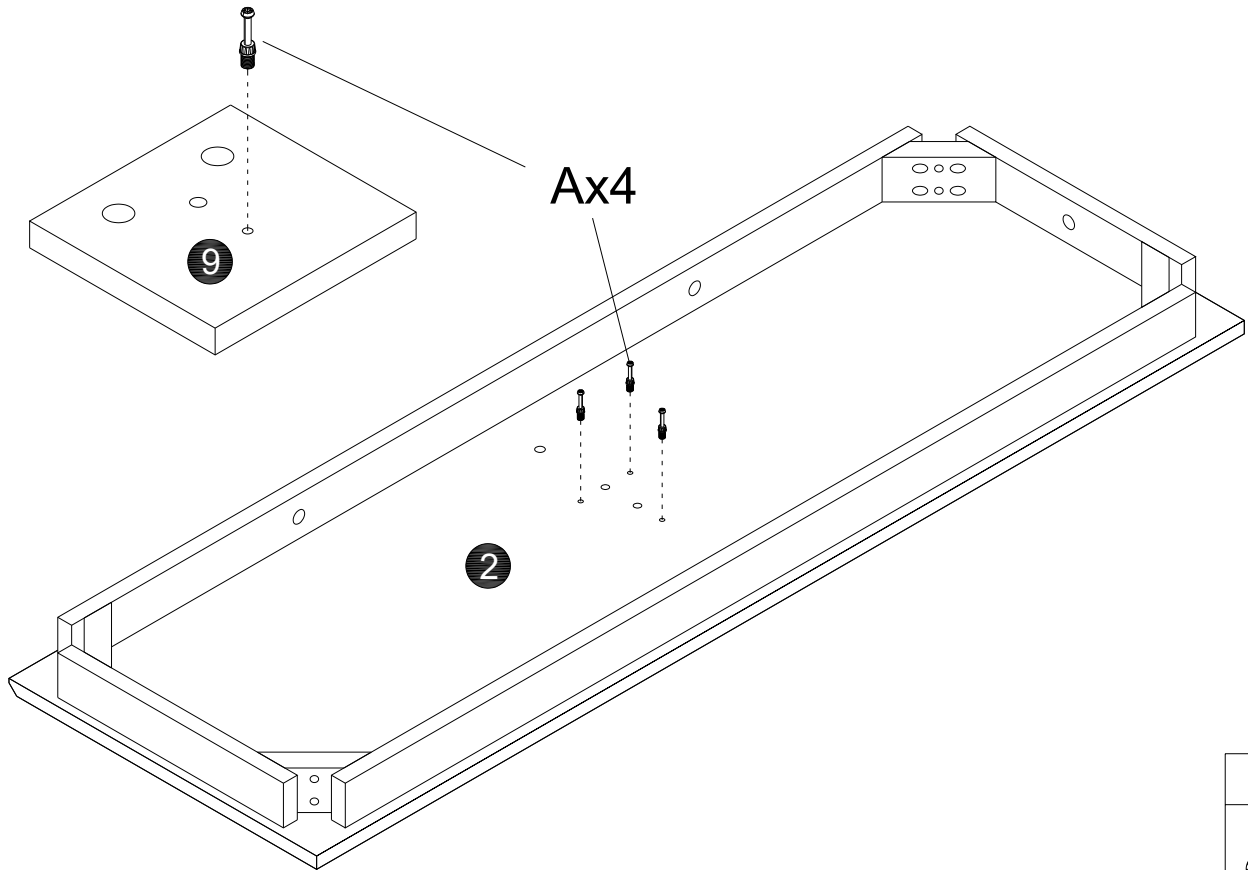


ASSEMBLY INSTRUCTION



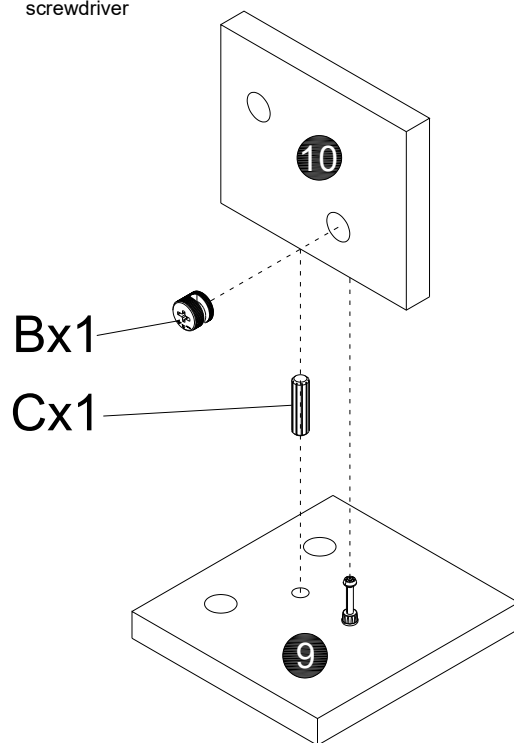
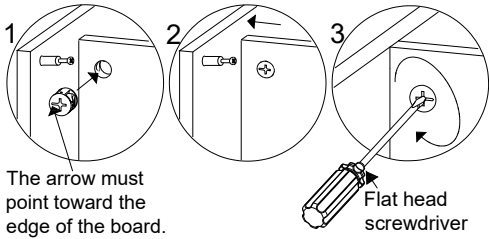
A	x58	B	x58	C	x23	D	x6	E	x4	F	x2	G	x2	H	x4	I	x38
																	
M6x35mm	Ø15mm	Ø8x30mm	Ø13x5	Ø25x5	85x25x5		M3.5x14mm	M5x38mm									
J	x10	K	x12	L	x4	M	x6	N	x6	O	x6	P	x6	Q	x72	R	x8
																	
	White	Black	12"	12"	12"	12"	M3.5x12mm	M6x55mm									
S	x8	T	x8	U	x1	V	x2	W	x6	X	x2	Y	x2	Z	x7		
																	
Ø16*1.2	Ø10	M4x21x57				M5x38mm	Ø25										

1



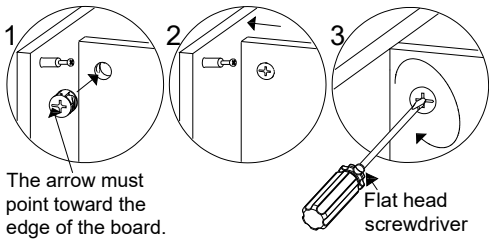
A	x4
M6x35mm	

2



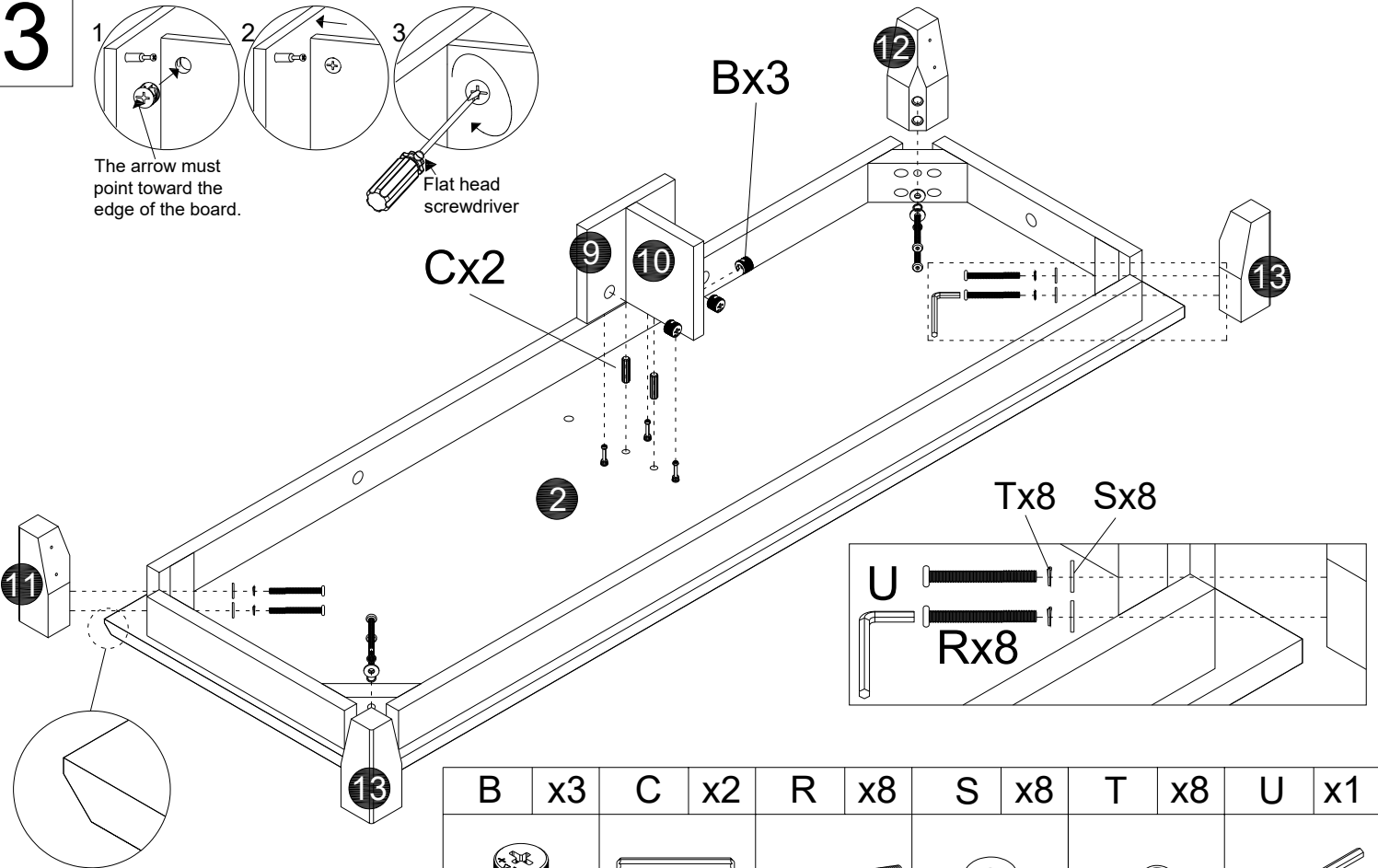
B	x1	C	x1
Ø15mm		Ø8x30mm	

3



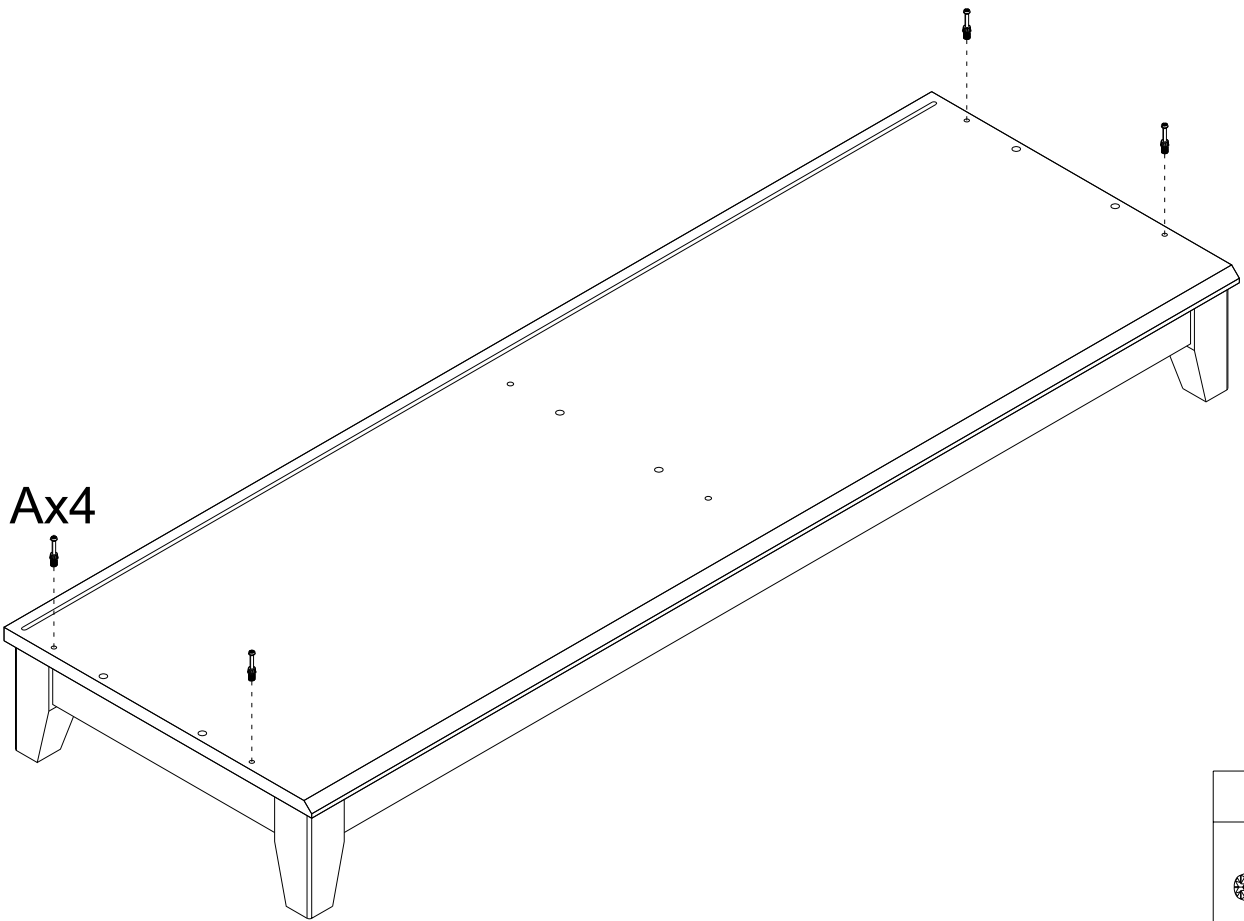
The arrow must point toward the edge of the board.

Flat head screwdriver



B	x3	C	x2	R	x8	S	x8	T	x8	U	x1
Ø15mm		Ø8x30mm		M6x55mm		Ø16*1.2		Ø10		M4x21x57	

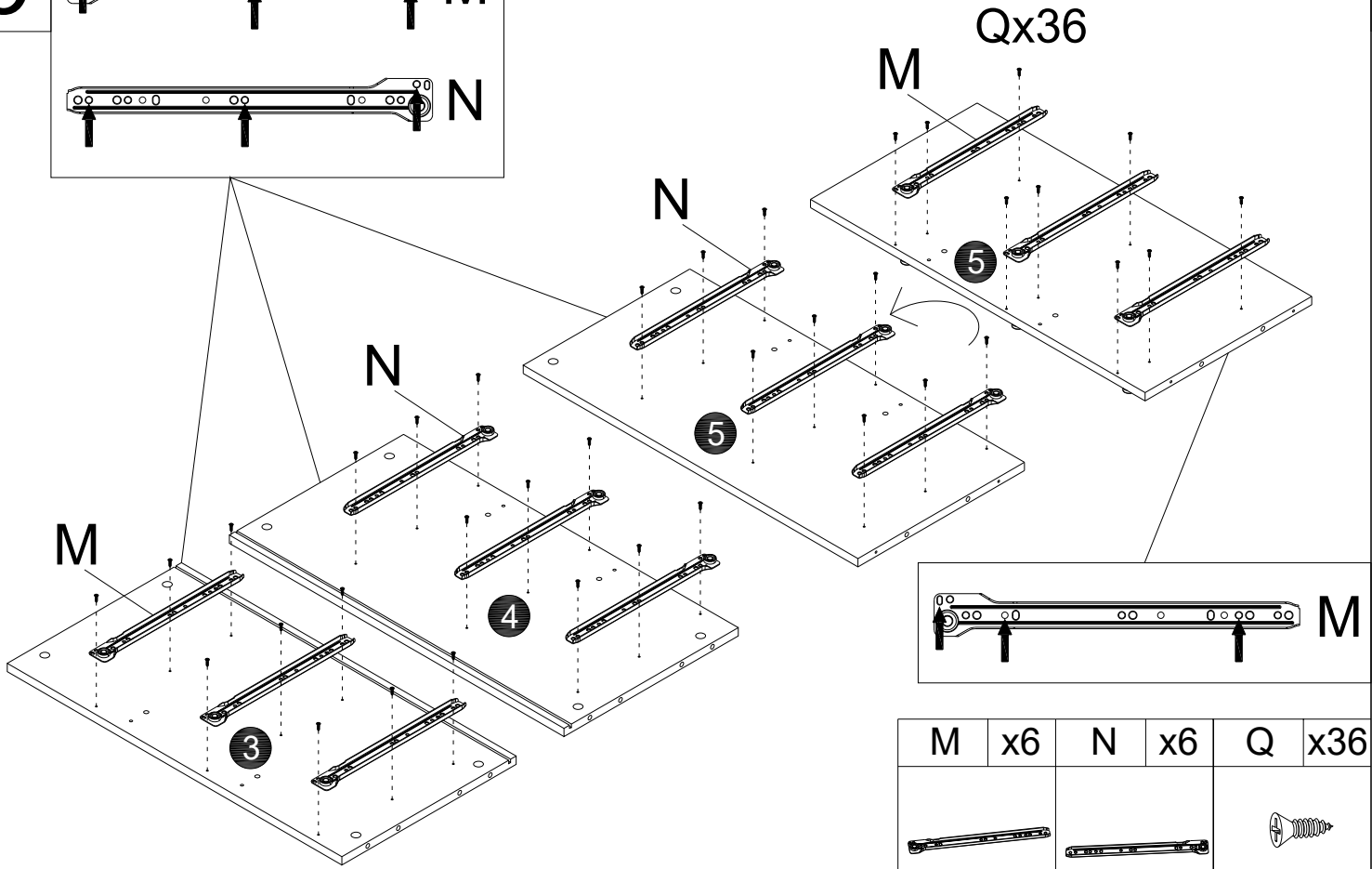
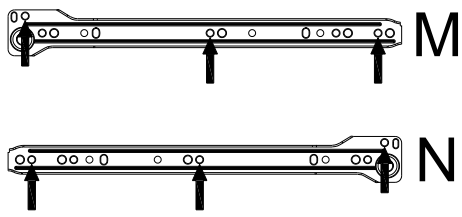
4



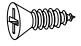


Ax4

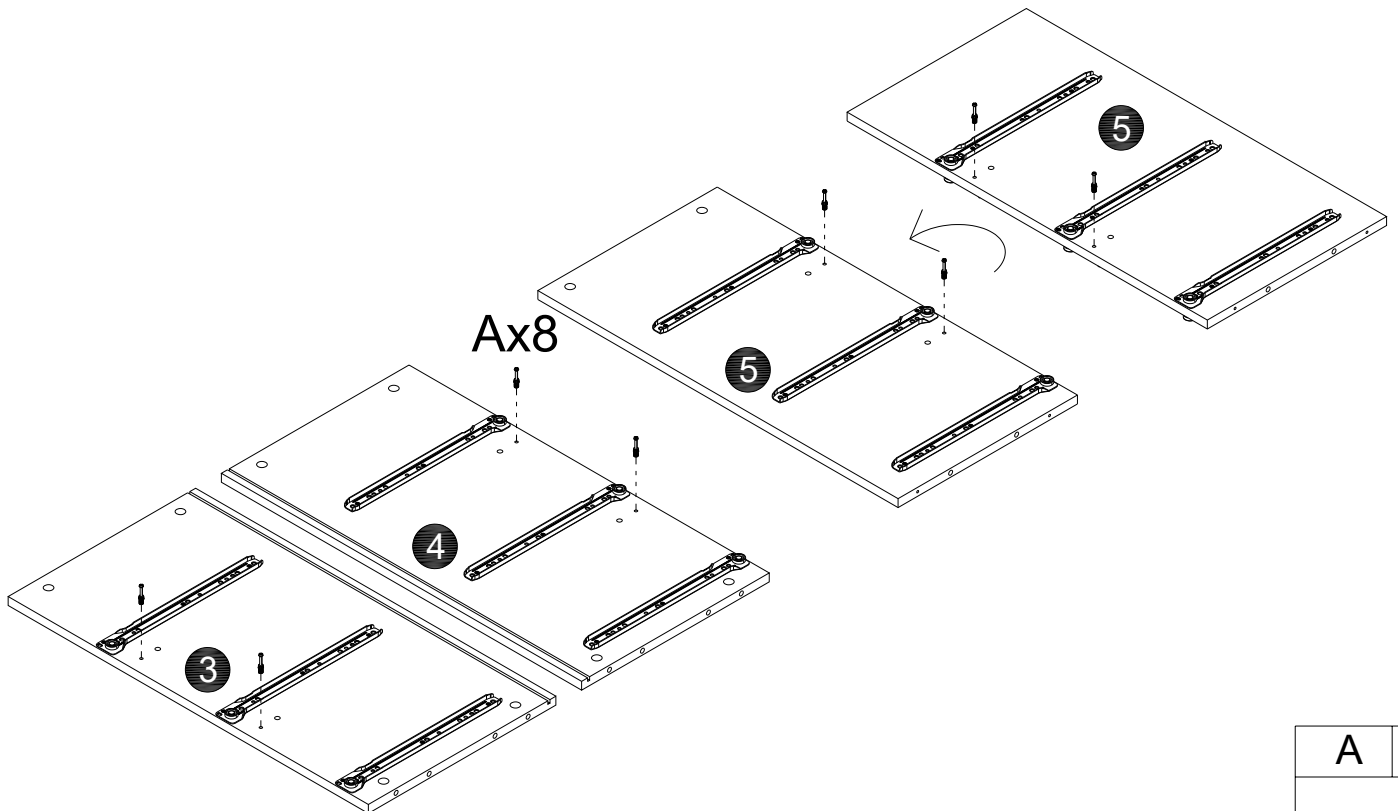
A	x4
M6x35mm	


5



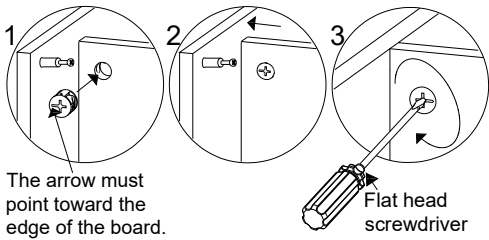
M	x6	N	x6	Q	x36
					
12"		12"		M3.5x12mm	

6



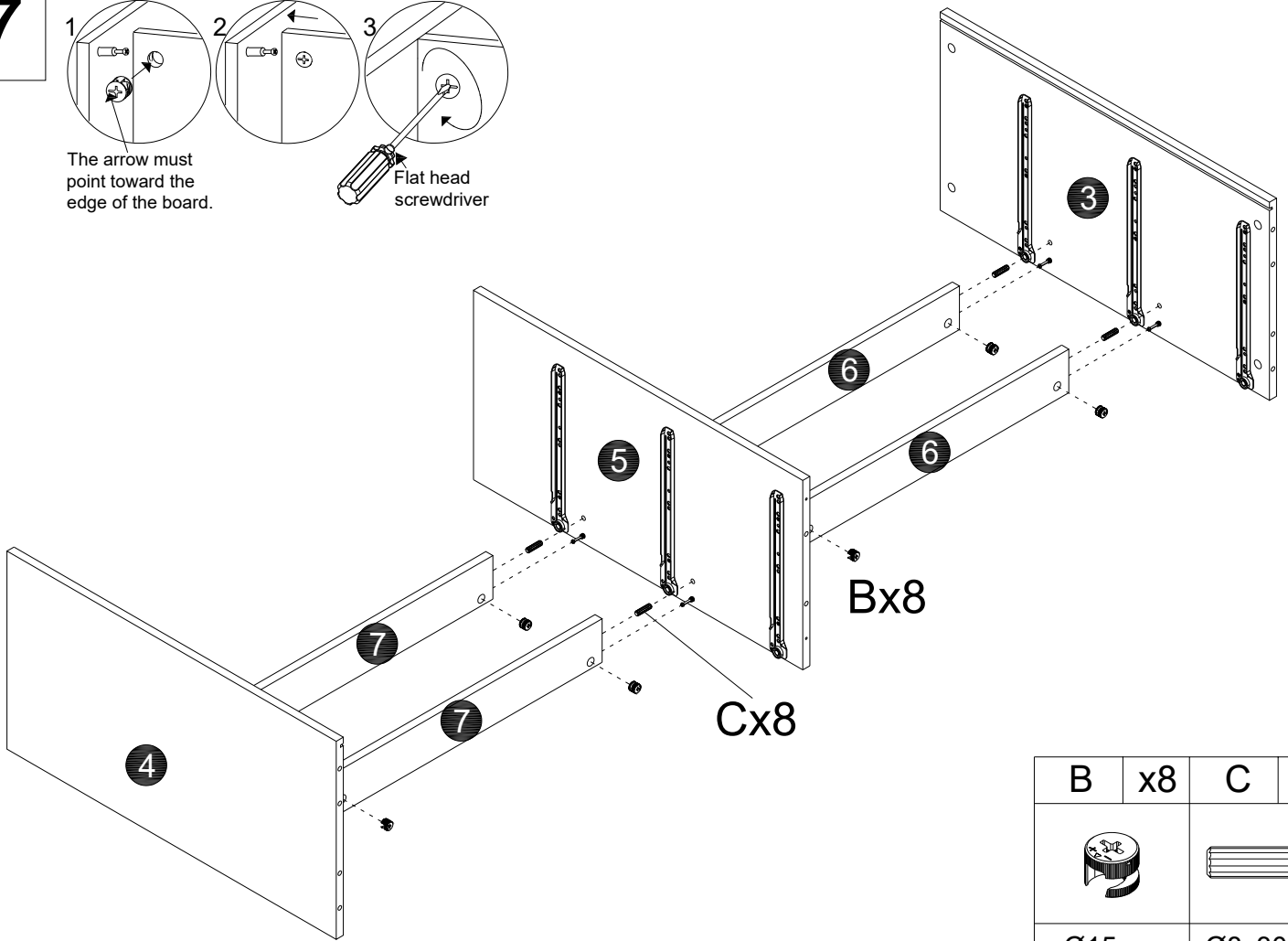
A	x8
	
	M6x35mm



7



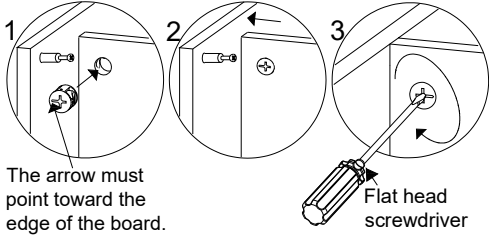
The arrow must point toward the edge of the board.

Flat head screwdriver



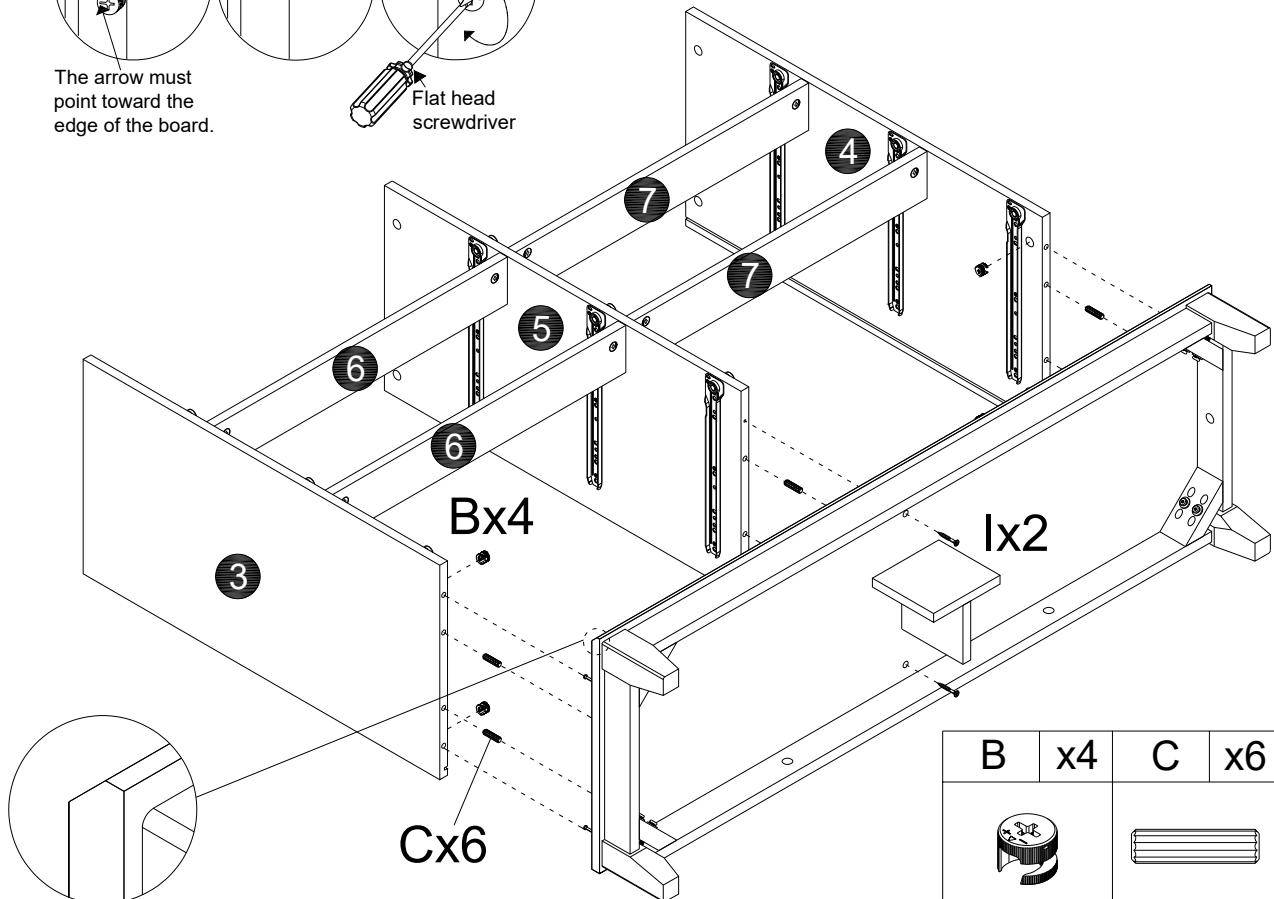
B	x8	C	x8
			
Ø15mm		Ø8x30mm	



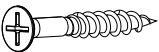
8



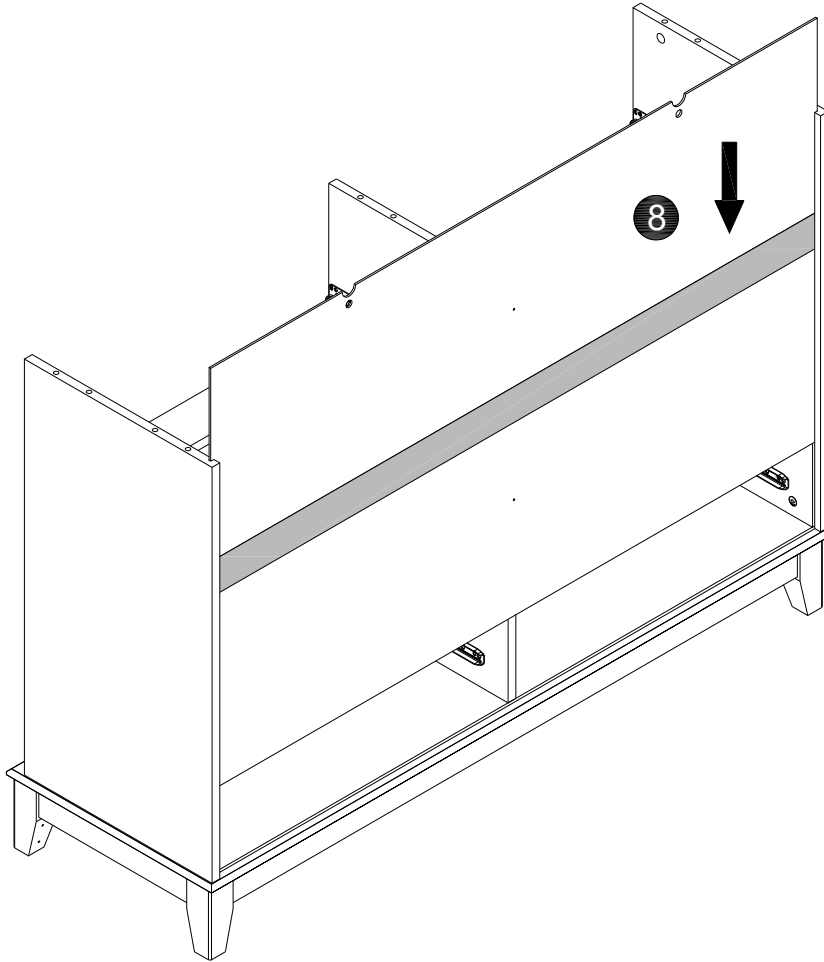
The arrow must point toward the edge of the board.

Flat head screwdriver

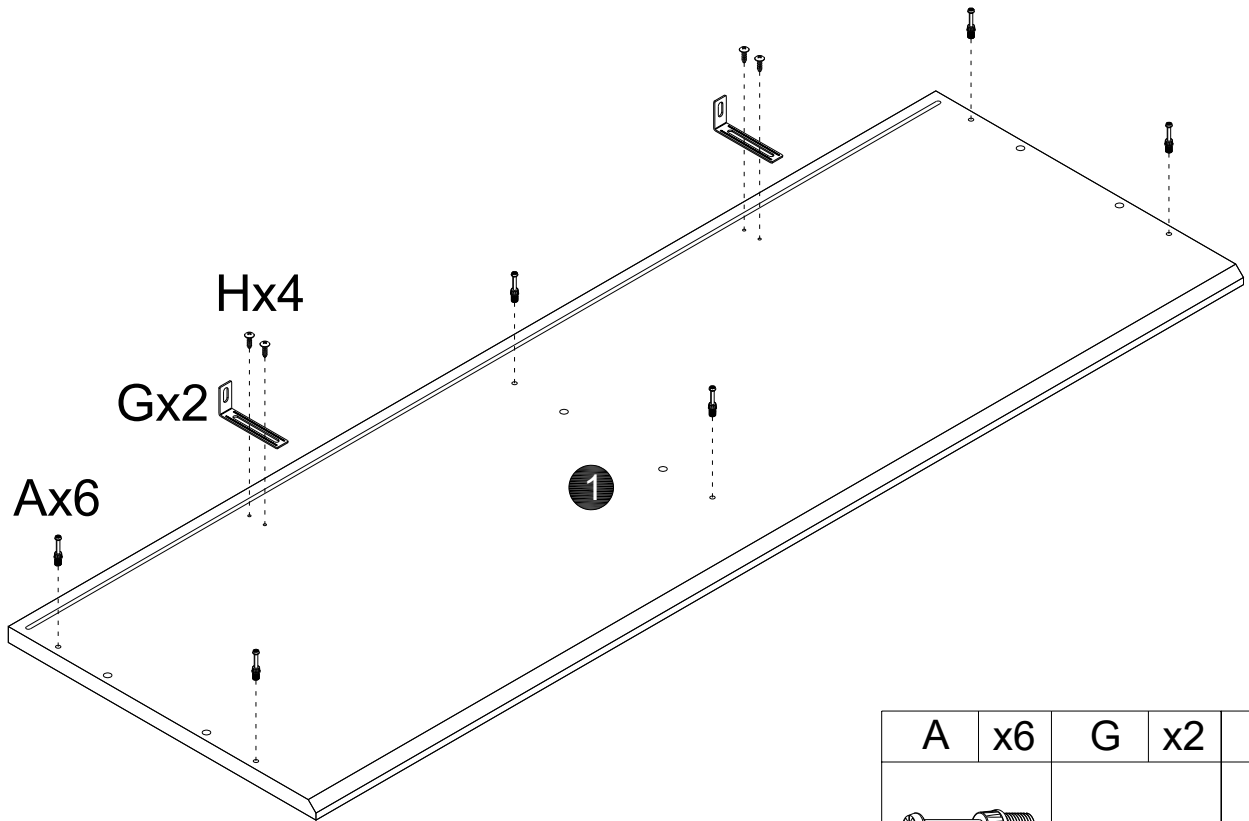


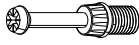
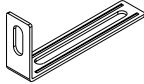
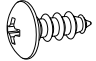
B	x4	C	x6	I	x2
					
Ø15mm		Ø8x30mm		M5x38mm	

9

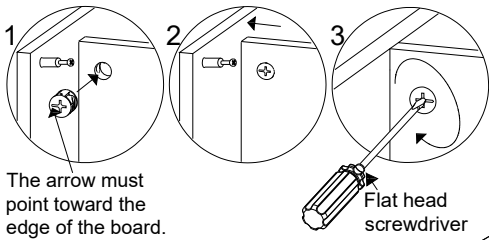


10



A	x6	G	x2	H	x4
					
M6x35mm				M3.5x14mm	

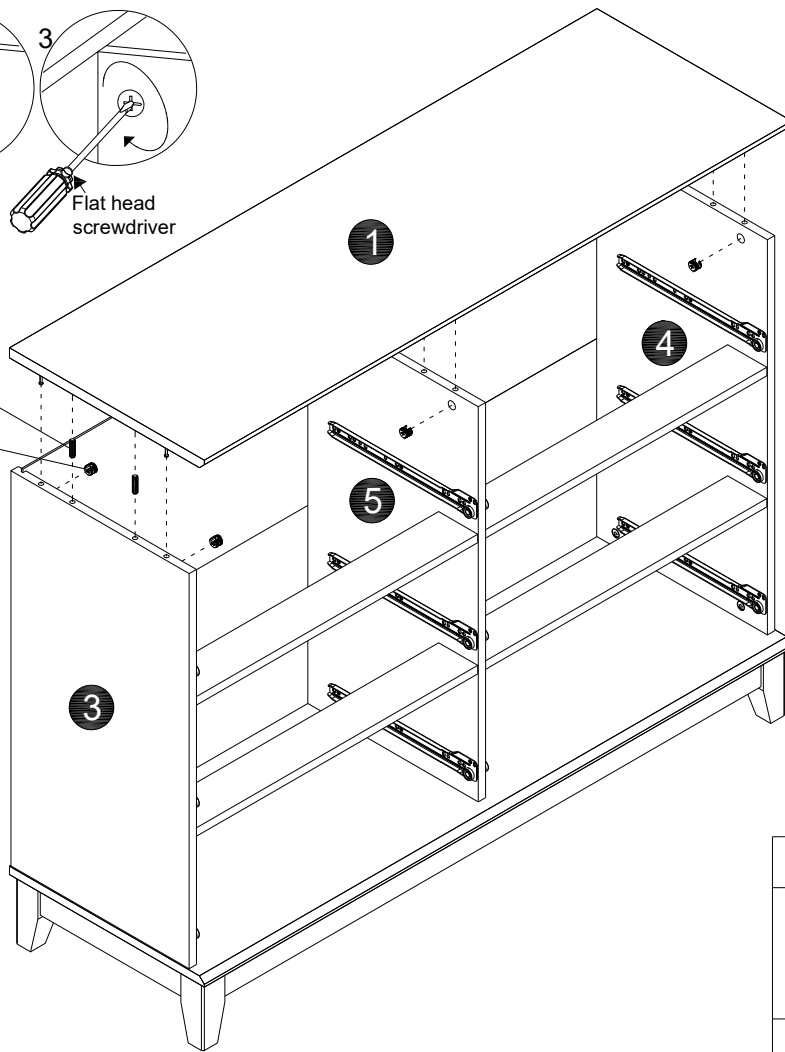
11





The arrow must point toward the edge of the board.

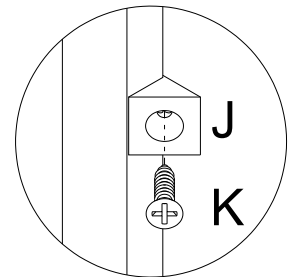
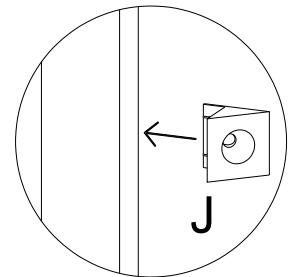
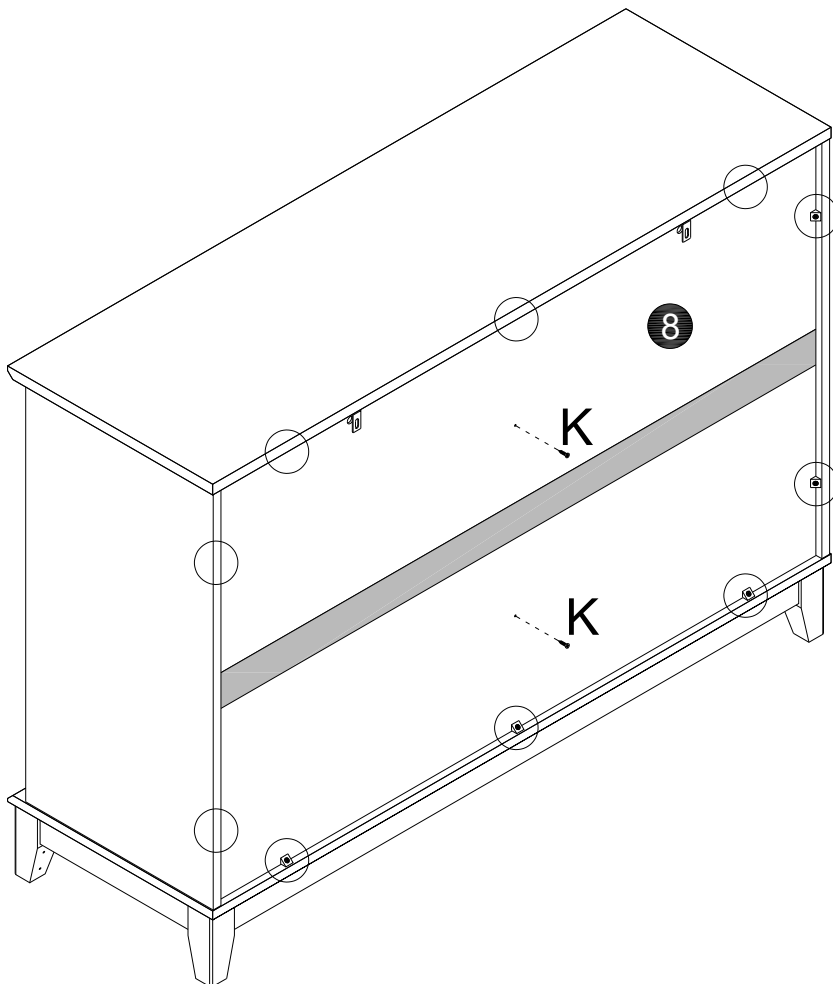
Flat head screwdriver


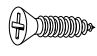
Cx4
Bx4



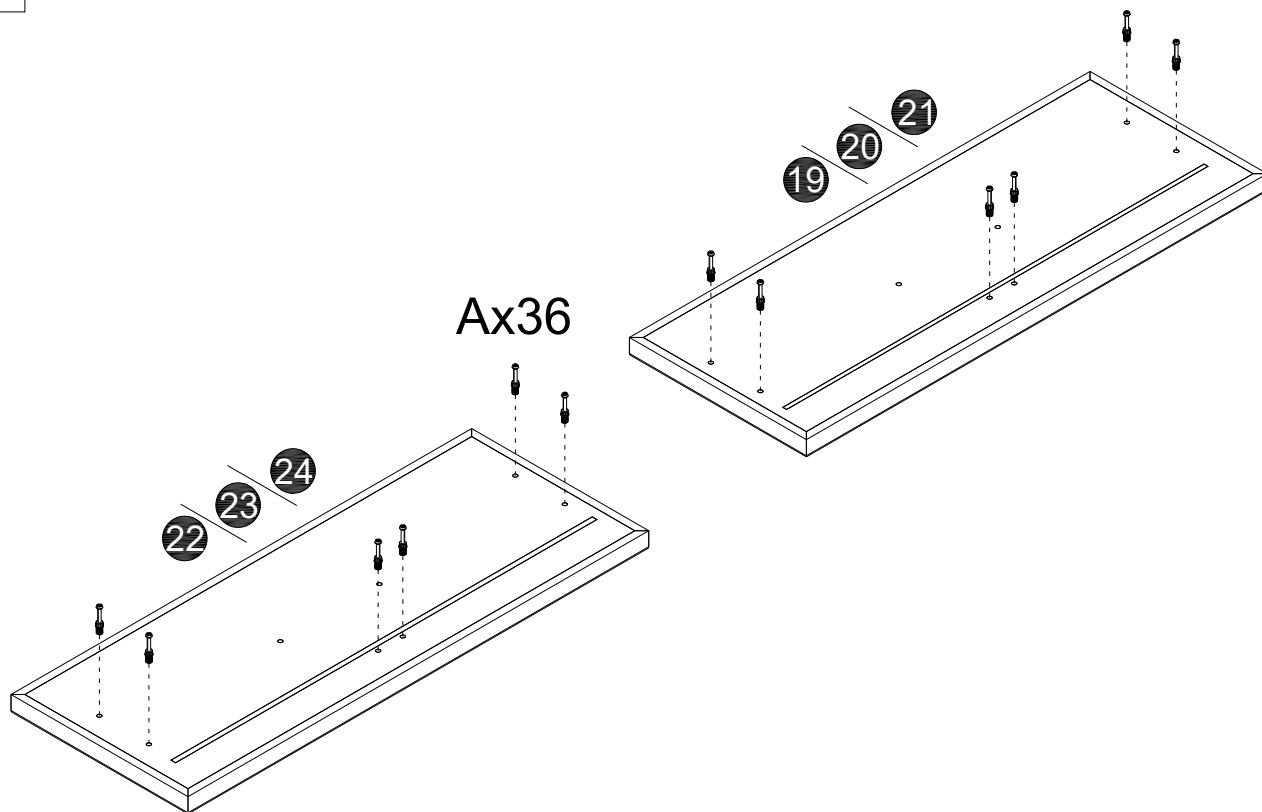
B	x6	C	x6
			
Ø15mm		Ø8x30mm	

12



J	x10	K	x12
			
		White	
		M3.5x16mm	

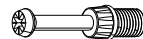
13



Ax36

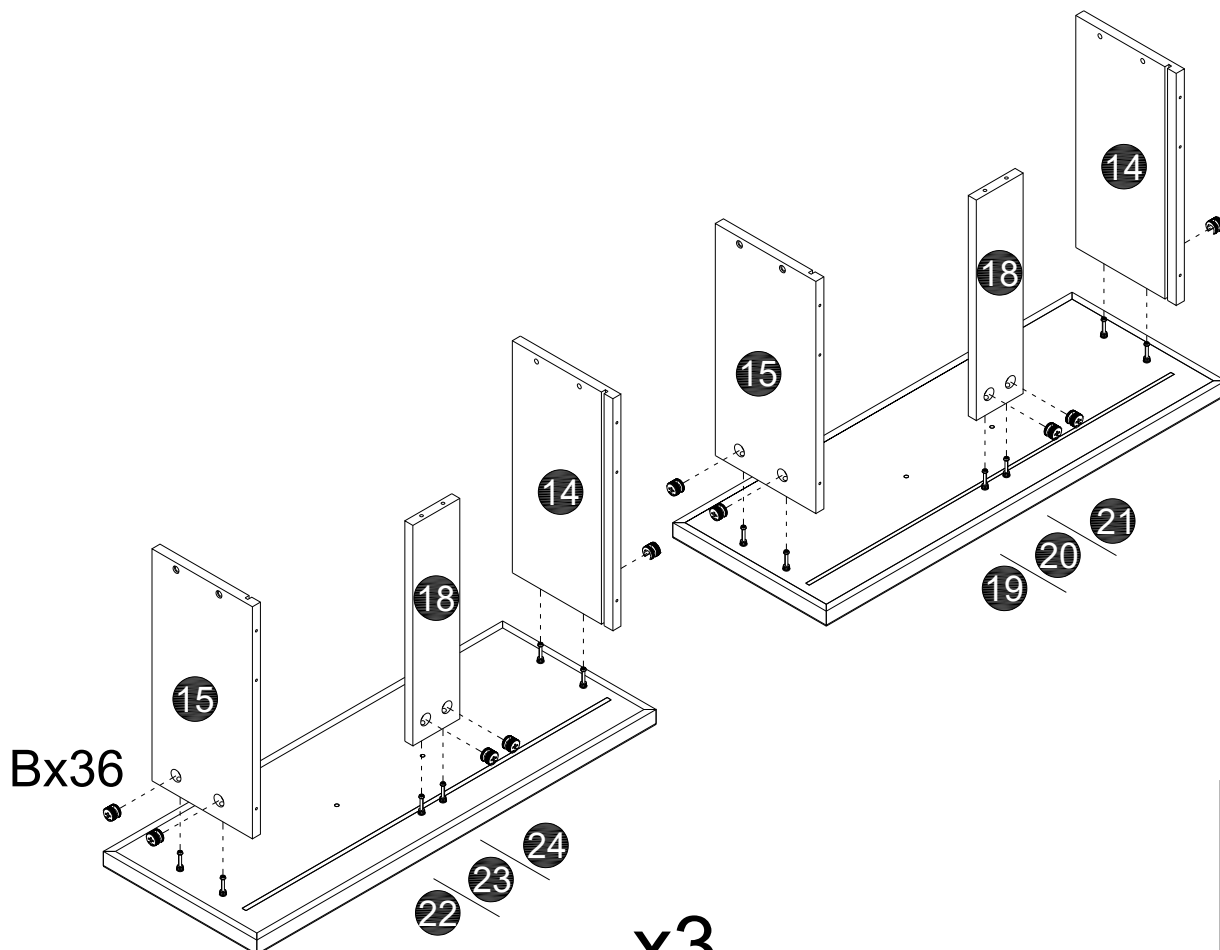
x3

A x36



M6x35mm

14



Bx36

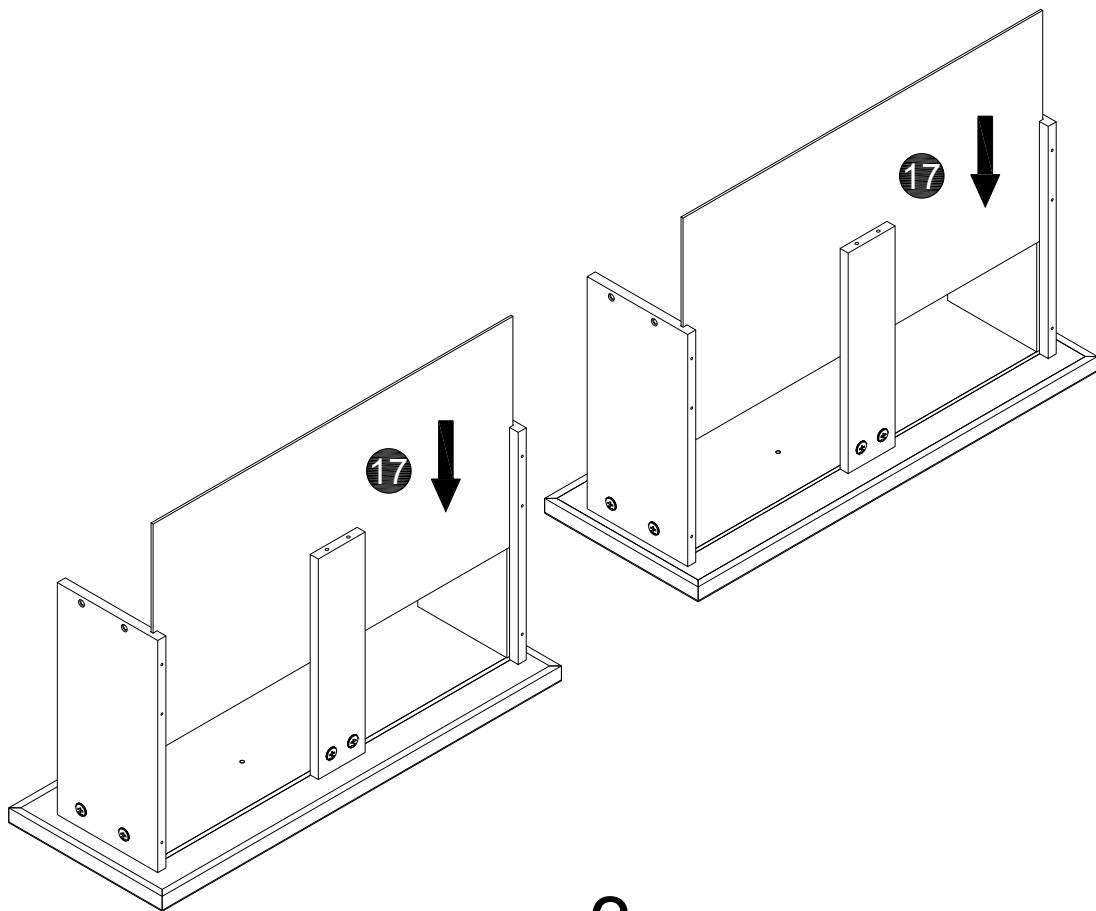
x3

B x36



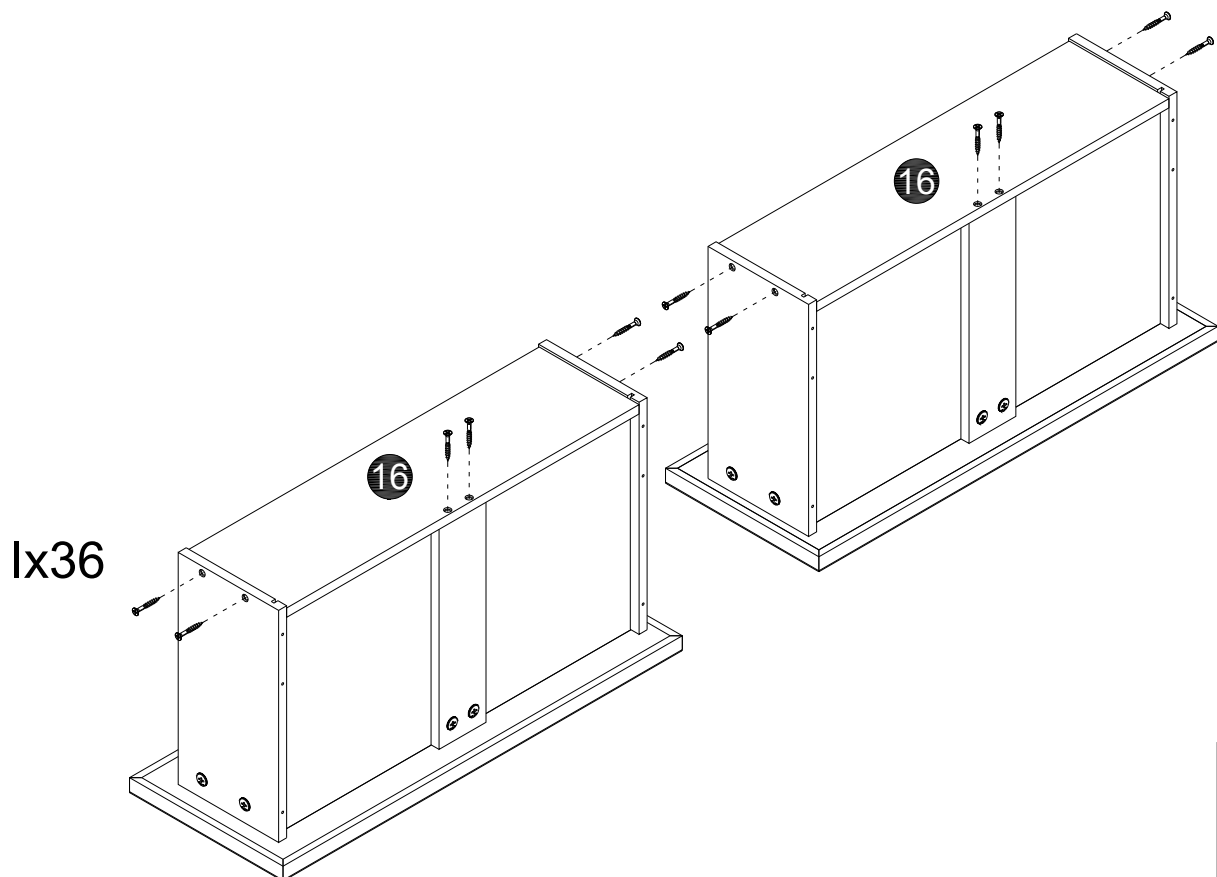
Ø15mm

15



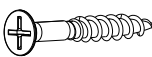
x3

16

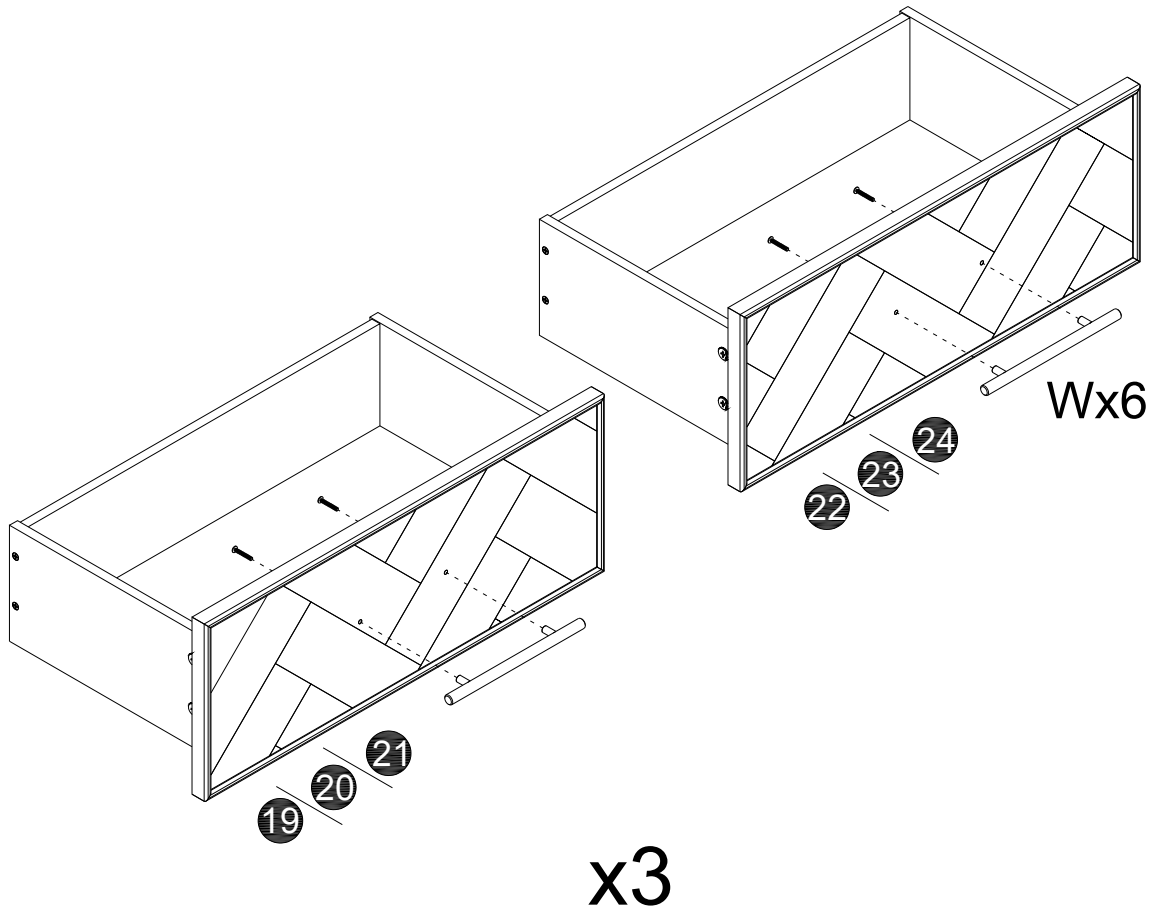


1x36

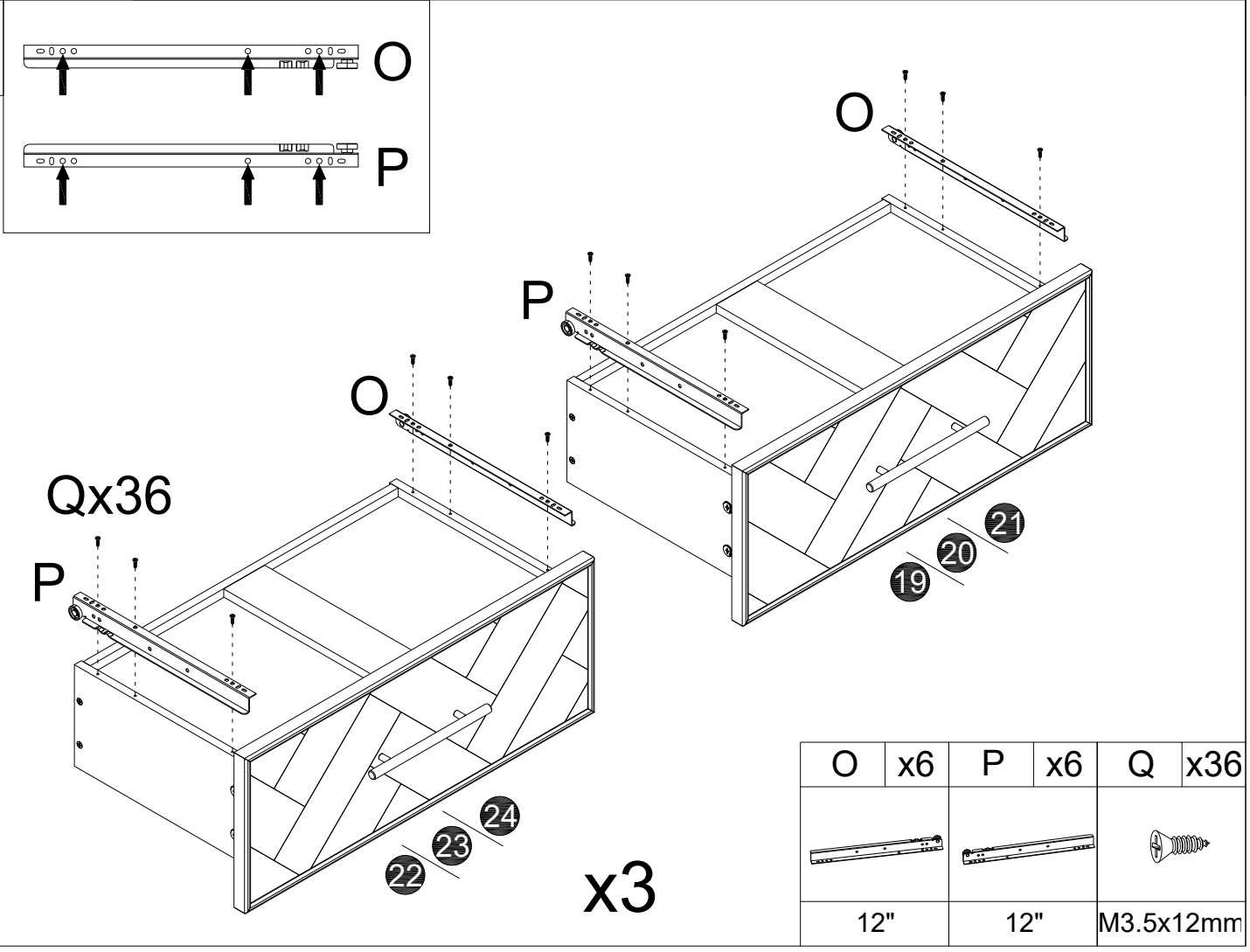
x3

I	x36
	
M5x38mm	

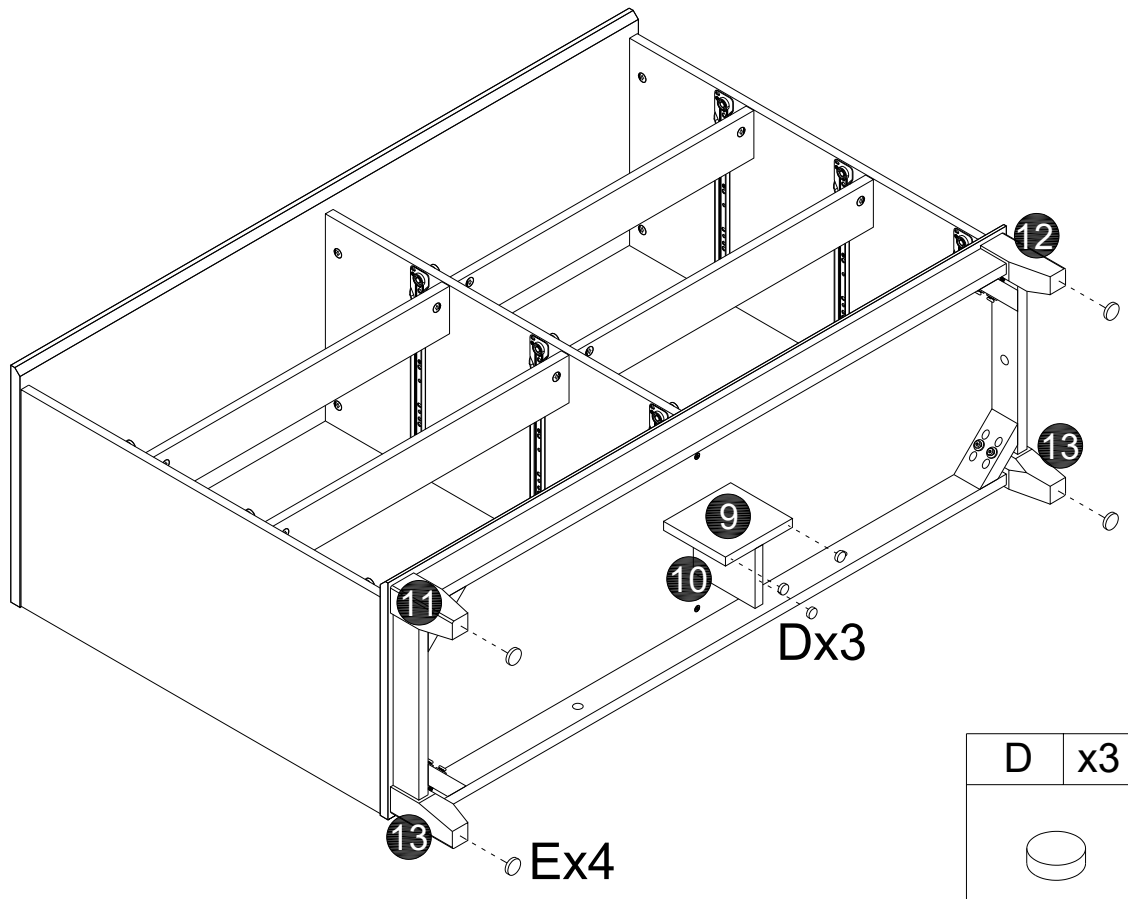
17

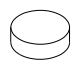



18

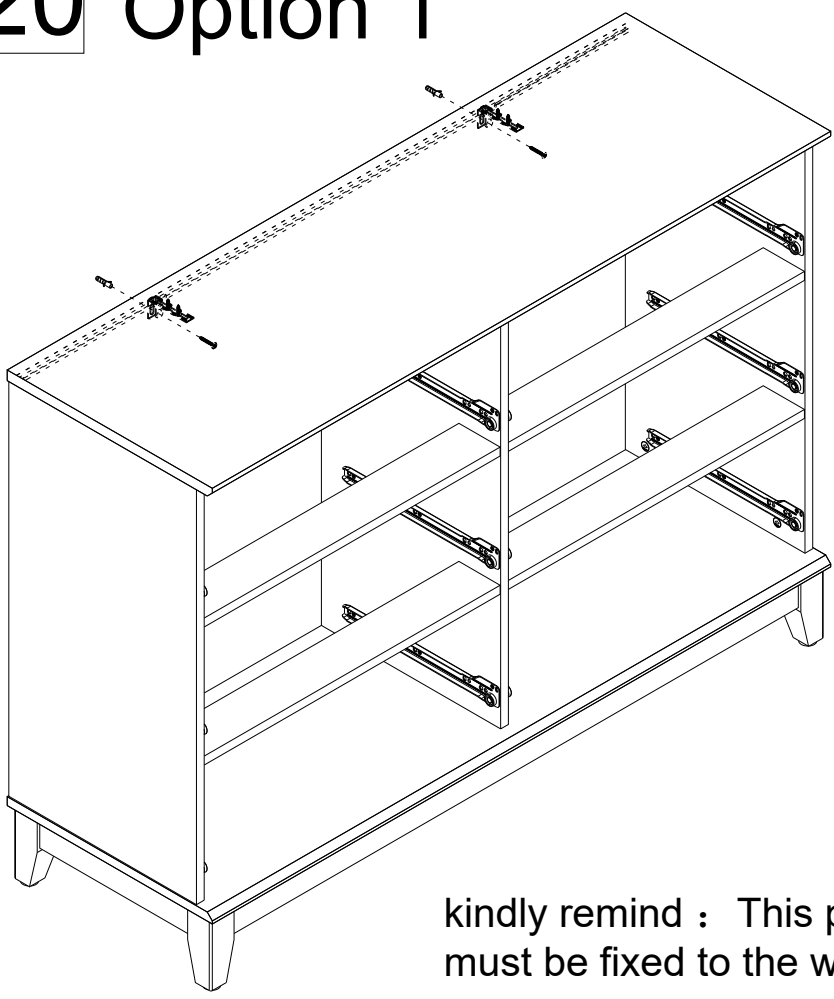


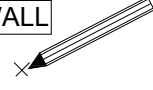
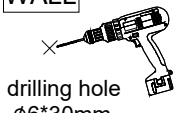
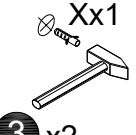
19 Option 1

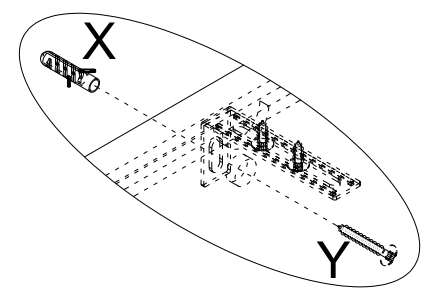


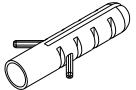
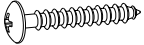
D	x3	E	x4
			
Ø13x5		Ø25x5	

20 Option 1



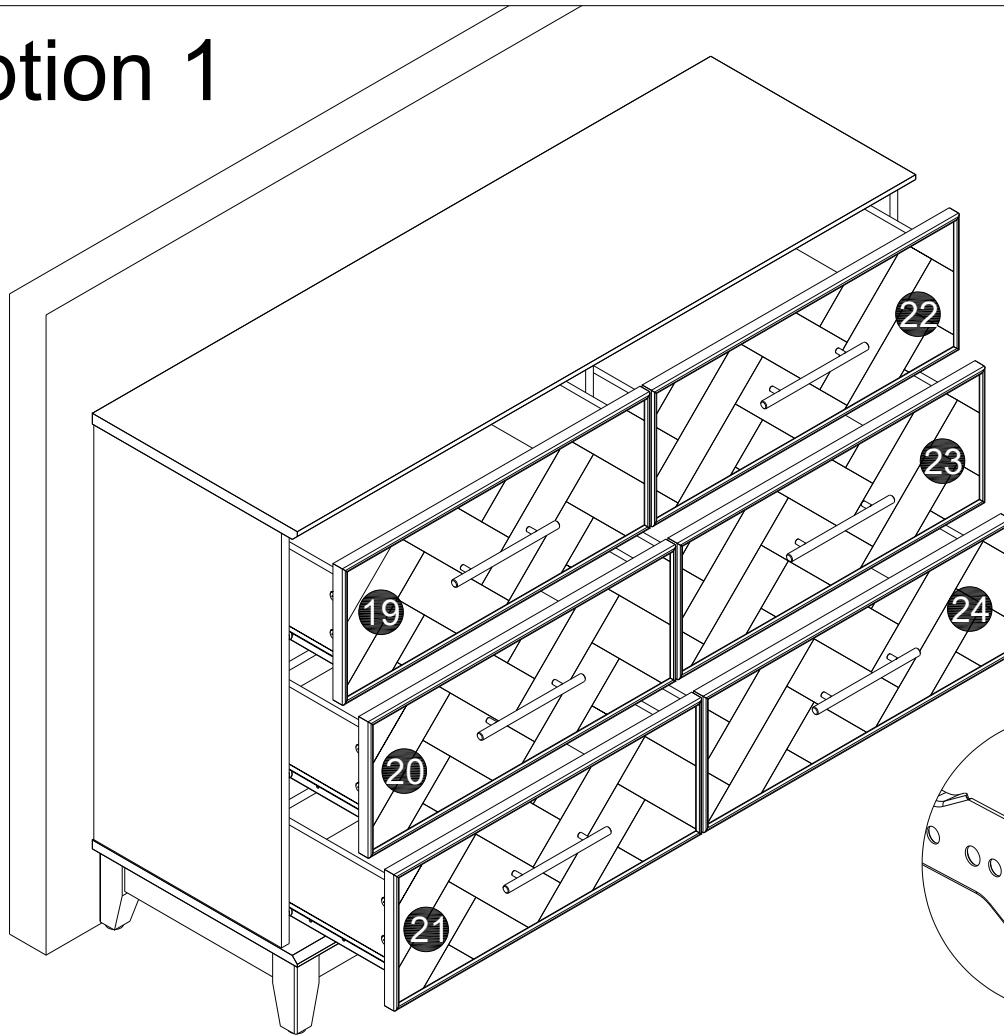
<p>WALL</p>  <p>1 x2</p>	<p>WALL</p>  <p>drilling hole Ø6*30mm</p> <p>2 x2</p>	<p>WALL</p>  <p>Xx1</p> <p>3 x2</p>
--	--	--



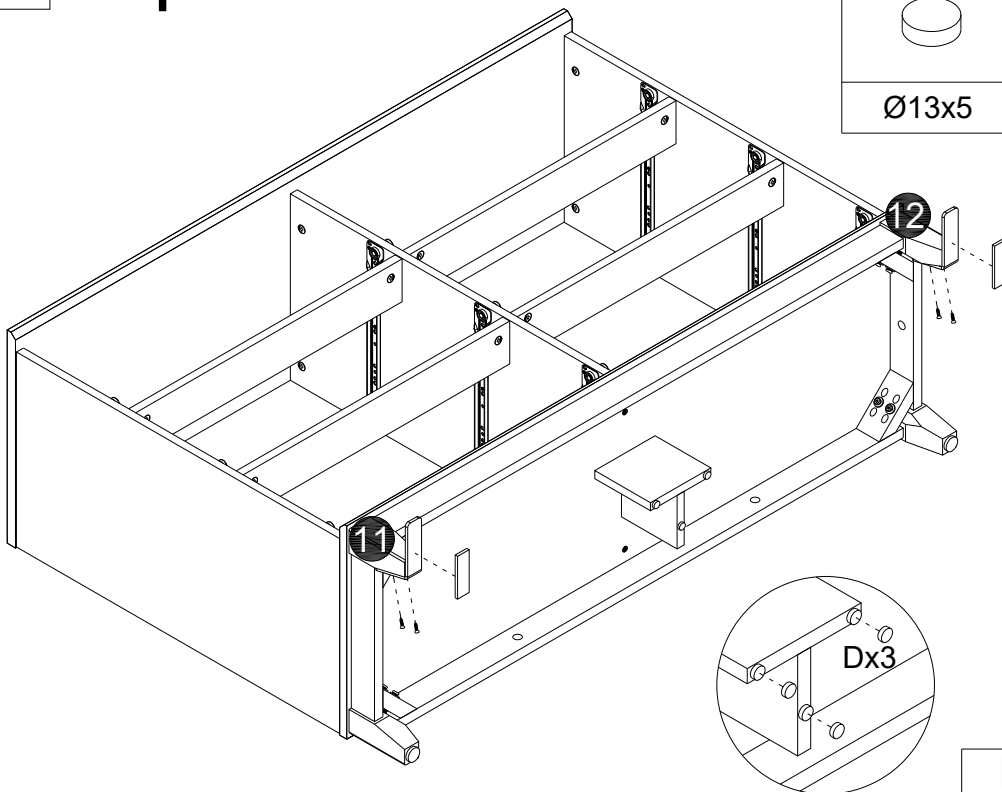
X	x2	Y	x2
			
		M5x38mm	

kindly remind : This product must be fixed to the wall before use.

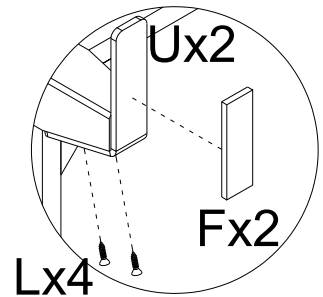
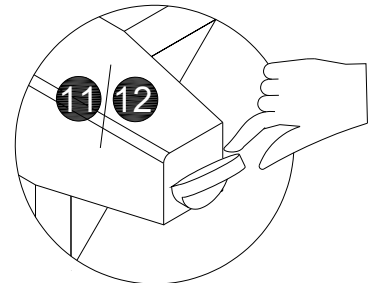
21 Option 1



22 Option 2



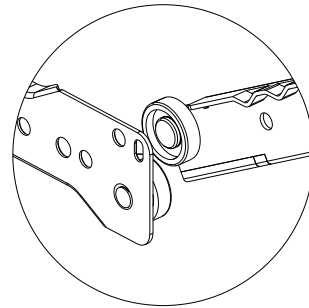
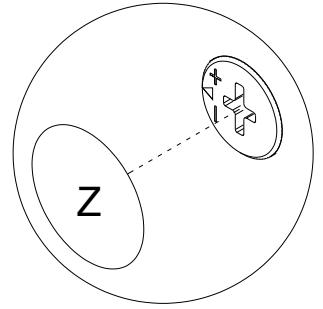
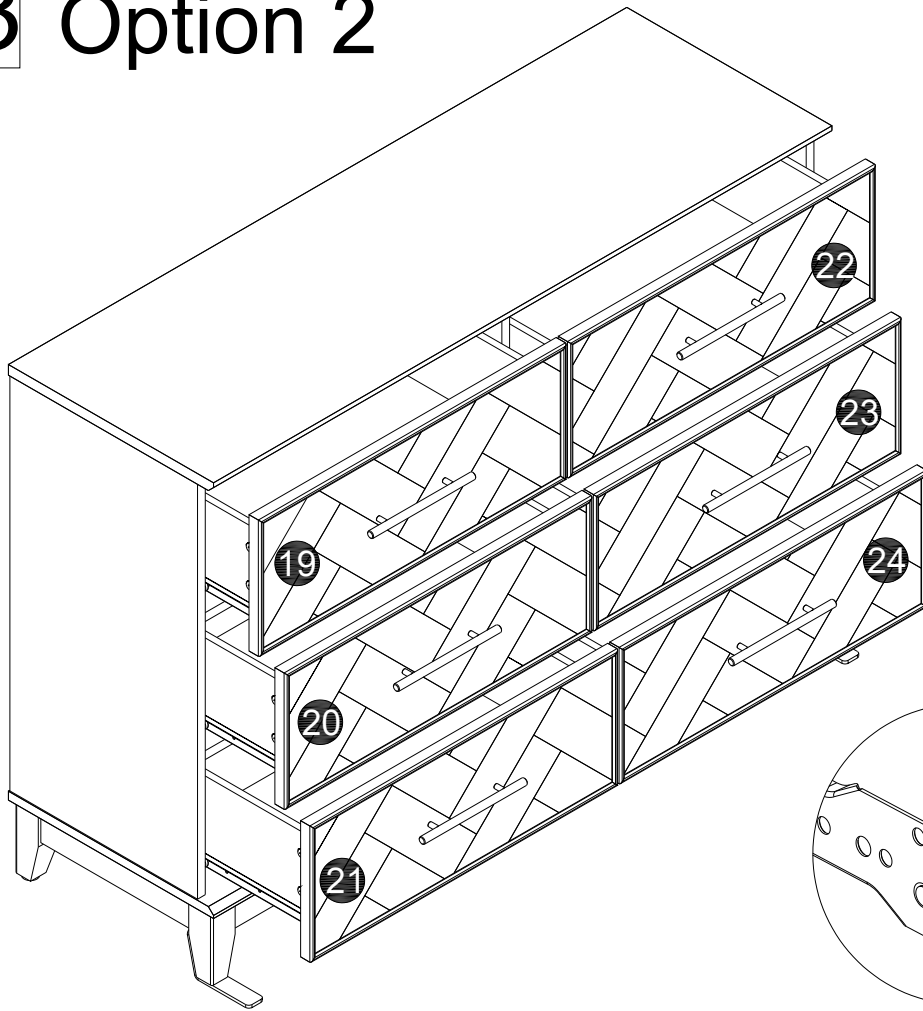
D	x3
Ø13x5	



F	x2	L	x4	U	x2
85x25x5		M3.5x16mm Black			

If your usage environment does not support the installation of wall connectors, please be sure to install the anti-forward-tilt stabilizing iron plate.

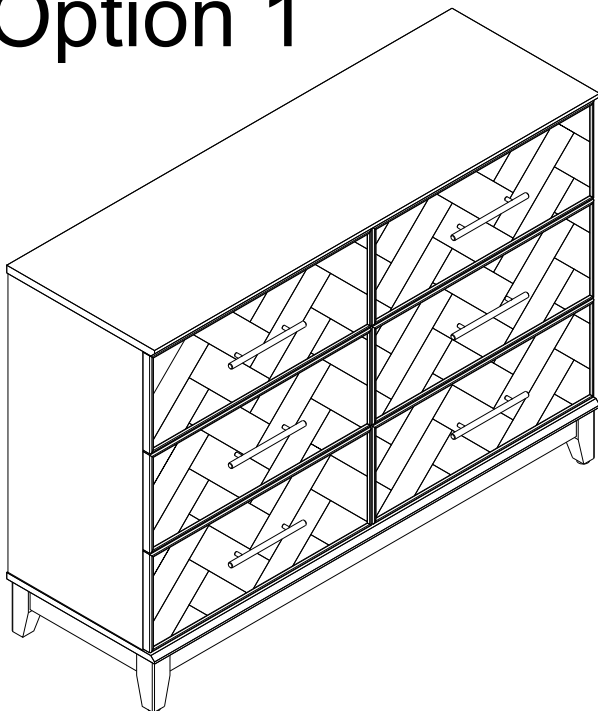
23 Option 2



Z	x7
Ø25	

24

Option 1



Option 2

