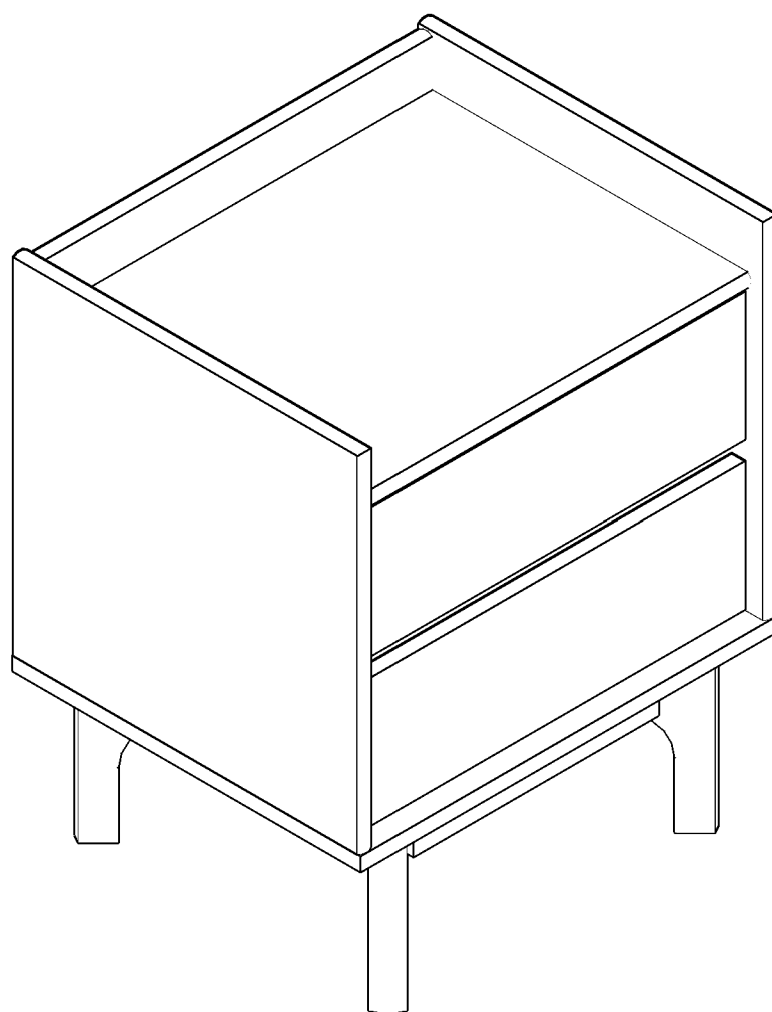


LuxenHöme

# End Table

SKU WHIF2675



ASSEMBLY INSTRUCTIONS



60 min. assembly  
2 person

\* The estimated assembly time may vary depending on the individual.

# Hey, there

Now is assembly time!

Deeeeep breathe.... and again....  
Tools ready,  
Easy peasy!

## Estimated



60 min. assembly  
2 person

## Tools Required

- Allen Wrench(included)
- Phillips screwdriver(not included)
- Hammer(not included)
- Power Drill(not included)
- Drill bit(not included)

*important.Cautious when you use power tools*

## Need Help?

-  Call us at +1 909 548 6688
-  Email [customerservice@luxenhome.com](mailto:customerservice@luxenhome.com)
-  Submit a ticket on [www.luxenhome.com/help](http://www.luxenhome.com/help)

Thank you for purchasing this LuxenHome product. This product has been manufactured with the highest standards of safety and quality.

**PLEASE READ ALL INSTRUCTIONS CAREFULLY BEFORE ASSEMBLY.**

Unpack all parts from the packaging inside the carton to ensure there are no missing or damaged parts. Lay out all the cabinet parts on a clean, flat, and soft surface to prevent scratches. Refer to the steps provided as assembling guide.

Do not attempt to assemble or use the product if any parts are missing or damaged.

Please save this manual for future reference.

### REMINDERS

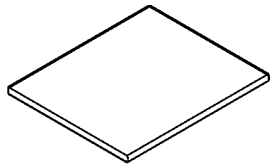
#### SAFE USAGE IS KEY

Your well-being is our top priority when you use our product. Please prioritize your safety by diligently following the assembly guidelines and inspecting the product carefully both when it arrives and before each use. Please be aware that LuxenHome and Winsome House, Inc. cannot be held liable for any injuries or fatalities that occur due to not adhering to the provided instructions or misuse of the product.

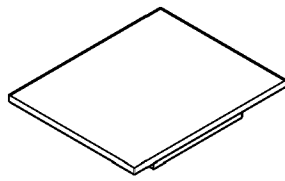
#### DO NOT MODIFY

Our products undergo rigorous testing to ensure they meet established safety standards before being released for sale. Altering the product in any way can lead to serious safety concerns, for which LuxenHome cannot assume responsibility.

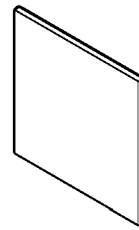
Furniture components:



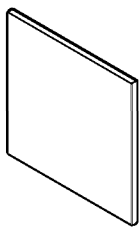
① Top Panel x1



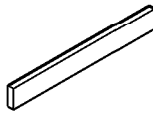
② Bottom Panel x1



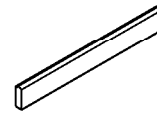
③ Side Panel (L) x1



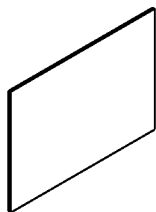
④ Side Panel (R) x1



⑤ Support Panel x1



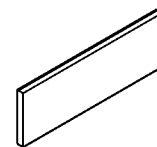
⑥ Top Support Panel x1



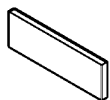
⑦ Back Mdf Board x1



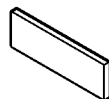
⑧ Leg Panel x4



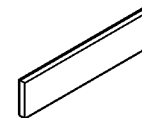
⑨ Drawer Face Panel x2



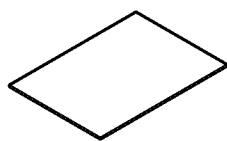
⑩ Drawer Side Panel (L) x2



⑪ Drawer Side Panel (R) x2

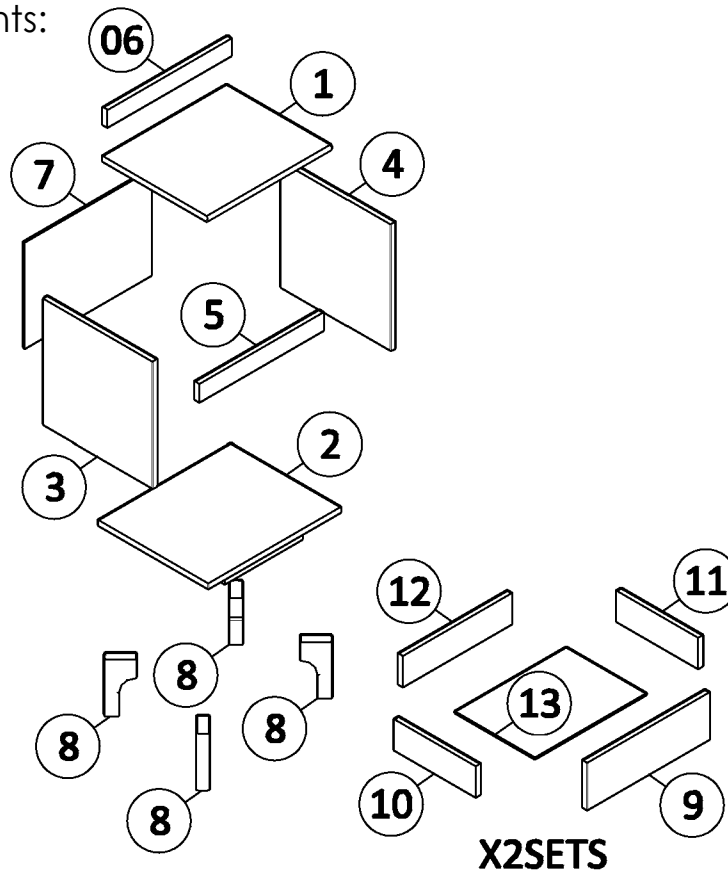


⑫ Drawer Back Panel x2





⑬ Drawer Mdf Board x2


Furniture components:





Provided hardware:


- 


**A** Cam Pin  
M5x24MM x8
- 


**B** Camlock x8
- 


**C** Wood Dowel  
M8x30MM x16
- 


**D1** Drawer  
Slide 12" x2
- 


**D2** Screw  
M3.5x12MM x24
- 

**E** Screw  
M6x50MM x4
- 

**F** Screw  
M4x38MM x8
- 

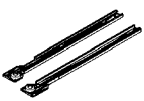

**G** Screw  
M4x30MM x1
- 

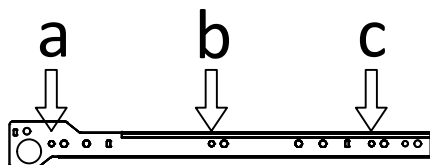
**H** Screw  
M7x50MM x8
- 

**I** White Leg Pin x4
- 

**J** Allen Key x1

# Step 1

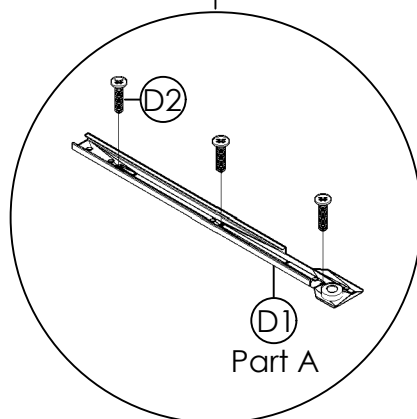
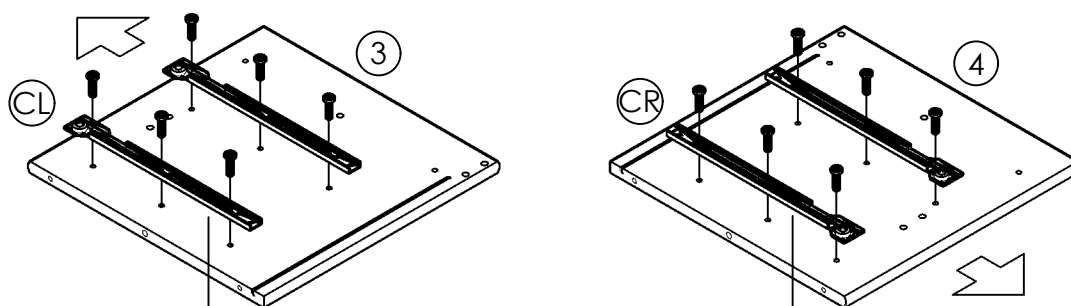
(D1)x2	(D2)x12
	 M3.5x12MM



# Screw in hole a,b and c

# CL for panel ③

# CR for panel ④

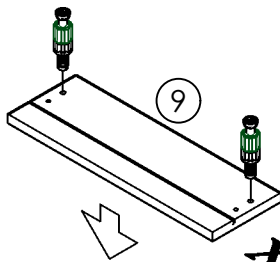
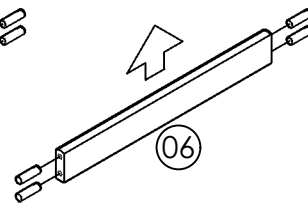
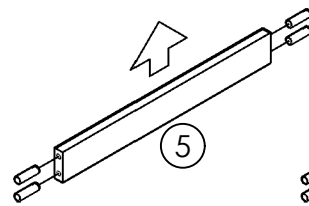
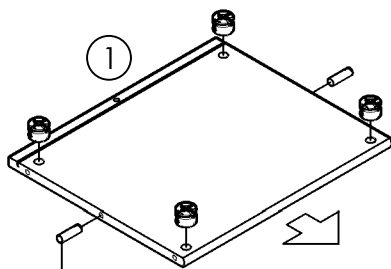
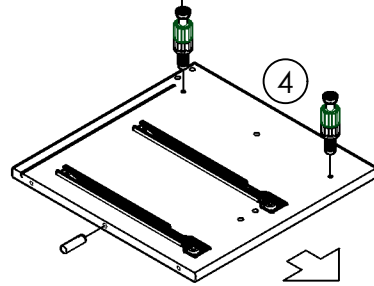
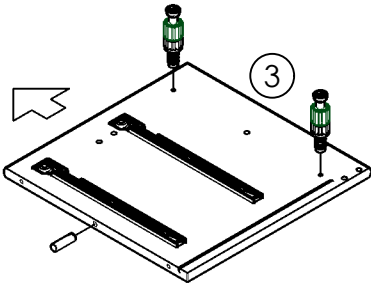
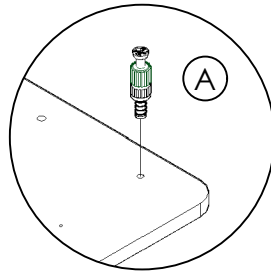


**Note:** Please find the CL and CR steel seals on the tracks.

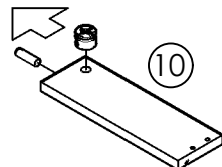
# Step 2

(A) x8	(B) x8	(C) x16

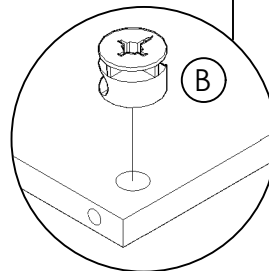
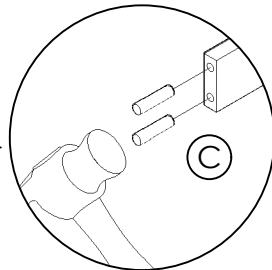
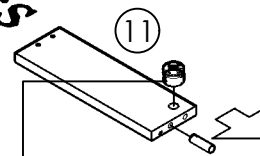
**Installation Cam Pin:**  
Please insert the screw(A)  
on panel using a screwdriver.



X2 PCS



X2 PCS

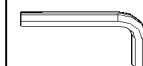


**Installation Hardware:**

As Shown, Insert the camlock(B) and wood dowel (C)  
into the hole of panel using the hammer.

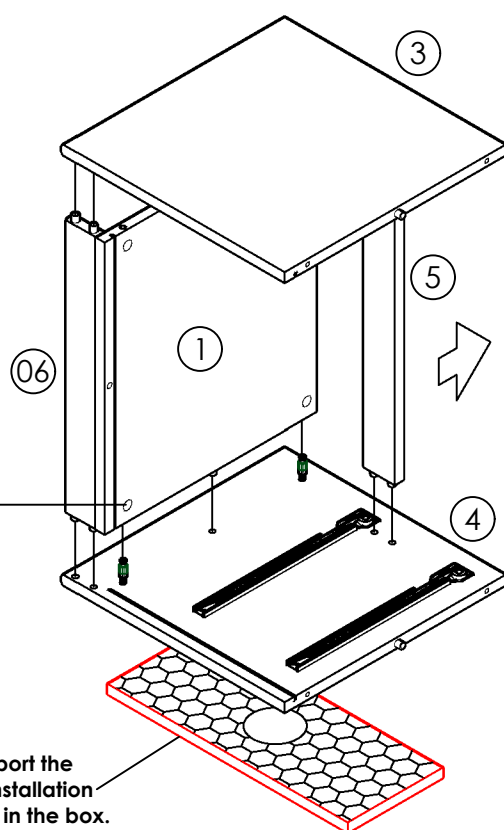
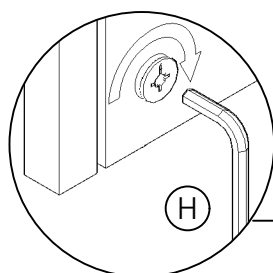
## Step 3

J x1



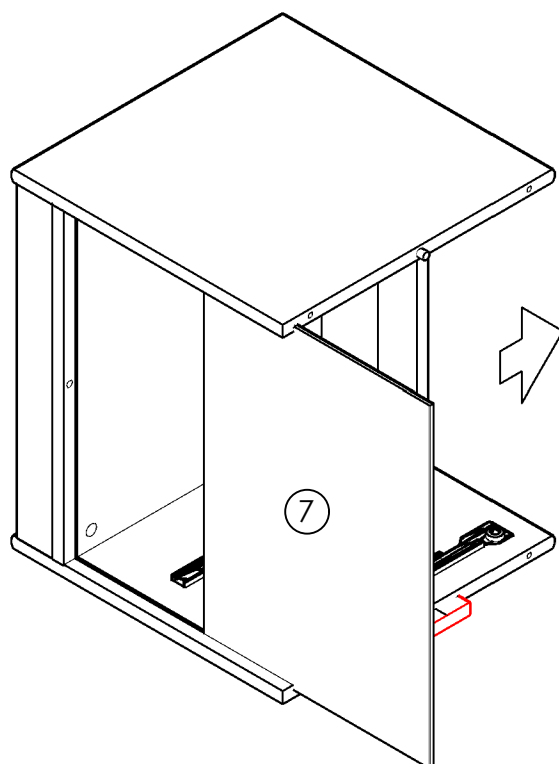
### Installation:

As shown, the head of minifix housing goes into the open mouth of the minifix bolt. Use Allen Key then turn the minifix housing so it tightens over the minifix bolt.



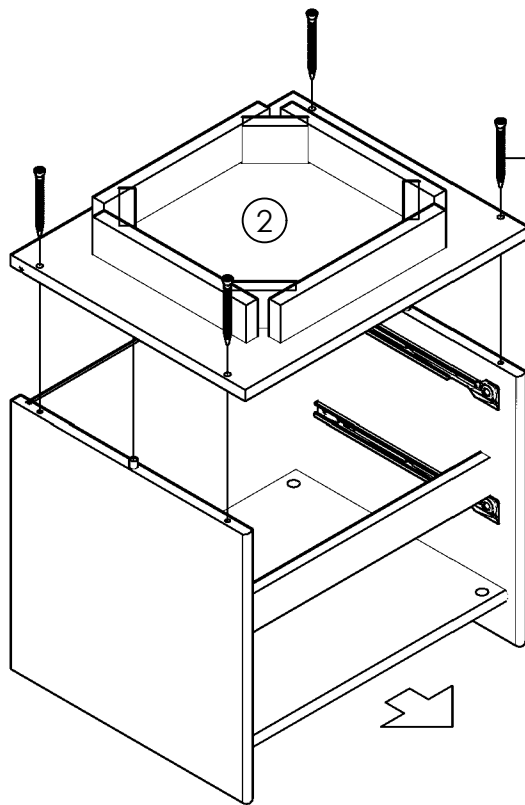
Place foam to support the panel during the installation process. Use foam in the box.



## Step 4

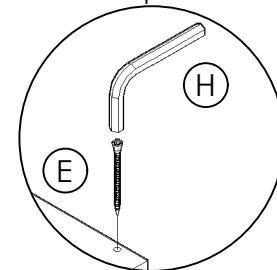


**Installing Back MDF Board:**  
Insert Back MDF Board into the groove of panel.

## Step 5

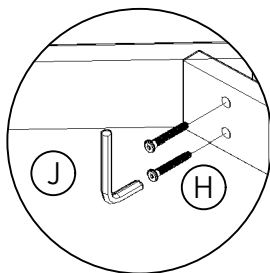


(E) x4	(J) x1
 M6x50MM	

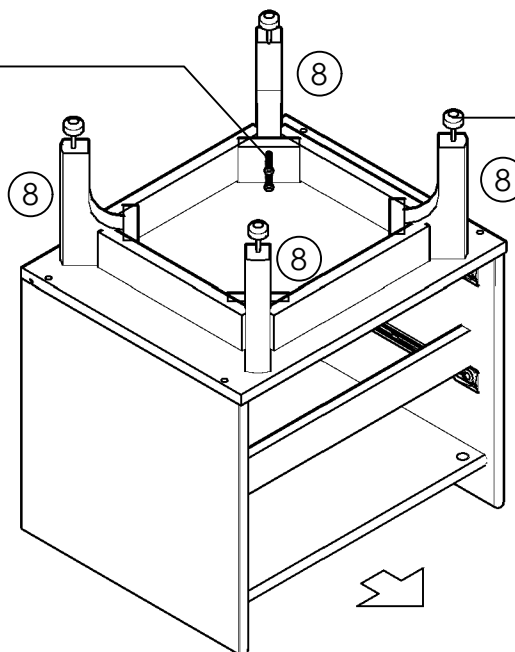





**Installation Screw:**  
Please insert the screw(E)  
on panel using a allen key.

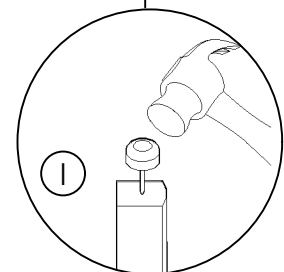
## Step 6



**Installation Screw:**  
Please insert the screw(H)  
on panel using a allen key.

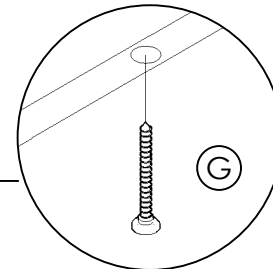
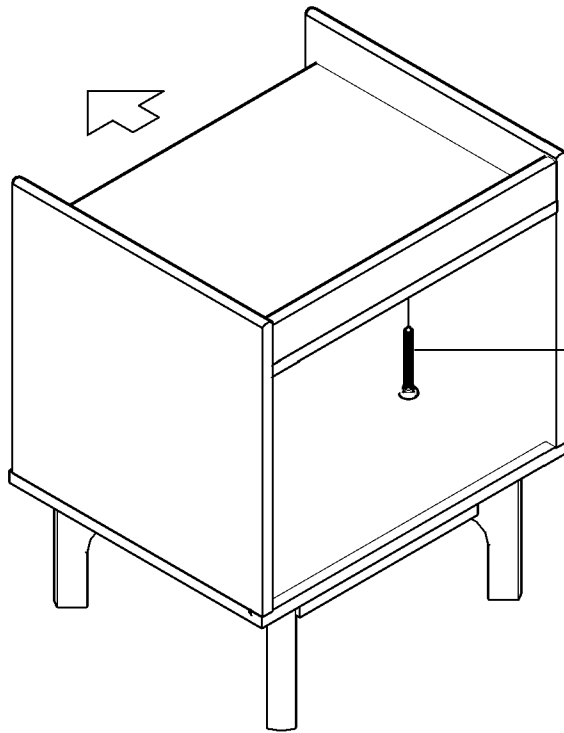


(H) x8	(I) x4	(J) x1
 M7x50MM		



**Insert Hardware**  
**Attach to Wooden Leg:** As Shown White  
Leg Pin (I) attach to wooden leg.  
**Use Hammer for Insertion:** Gently tap  
with a hammer to fully insert the White  
Leg Pin(I).

## Step 7



**Installation Screw:**  
Please insert the screw (G)  
on panel using a screwdriver.

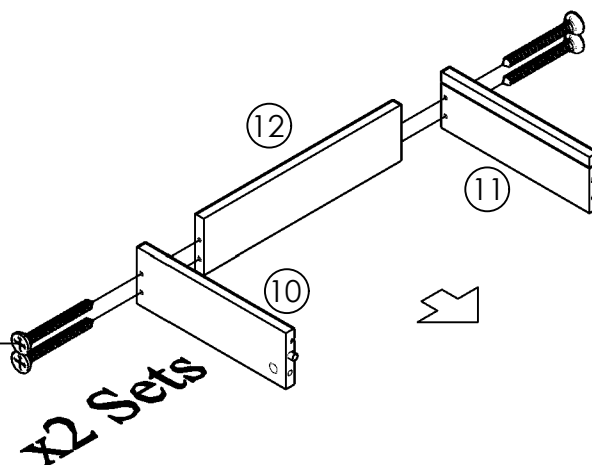
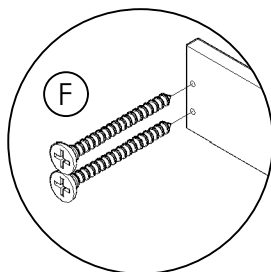
(G) x1



M4x30MM

## Step 8

**Installation Screw:**  
Please insert the screw (F)  
on panel using a screwdriver.

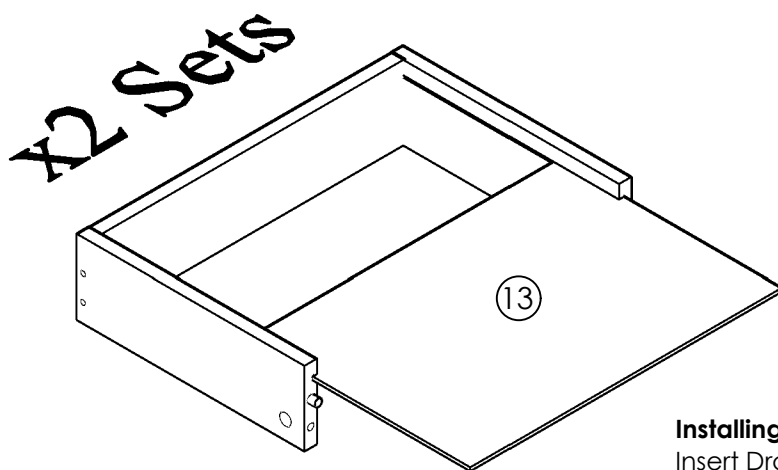


(F) x8



M4x38MM

## Step 9



**Installing Drawer MDF Board:**  
Insert Drawer MDF Board into the groove of panel.

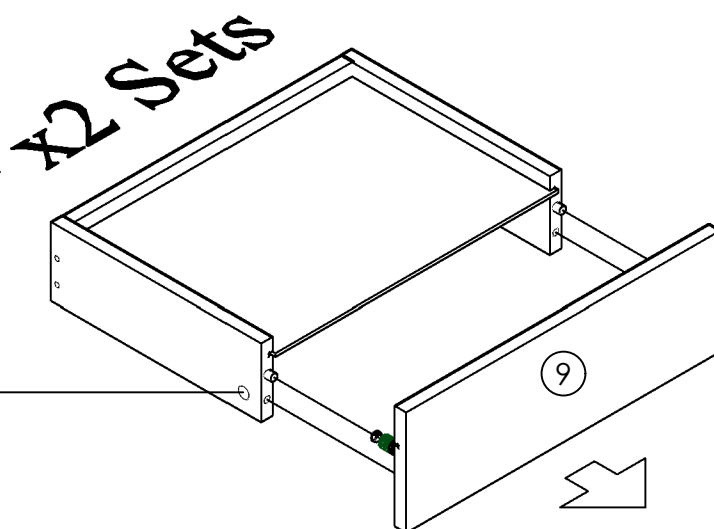
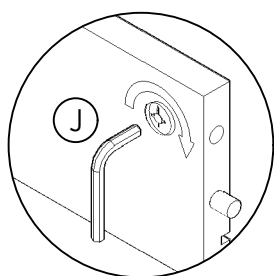
## Step 10

J x1

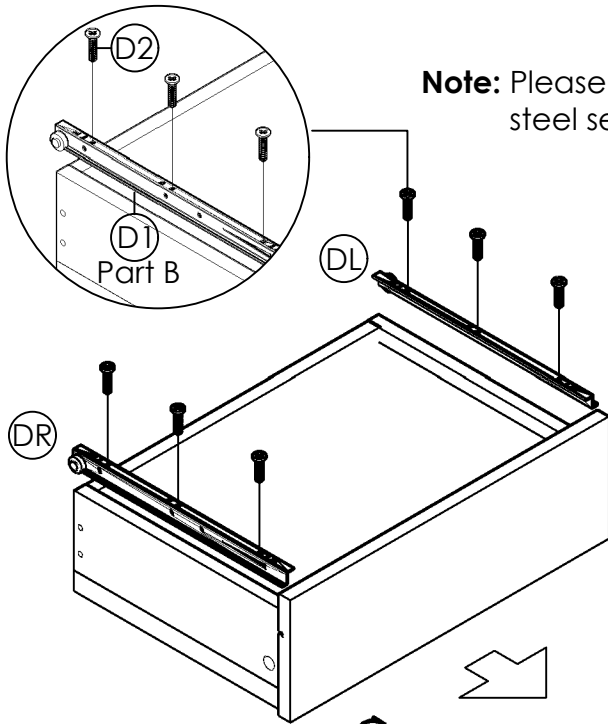


### Installation:

As shown, the head of minifix housing goes into the open mouth of the minifix bolt. Use Allen Key then turn the minifix housing so it tightens over the minifix bolt.

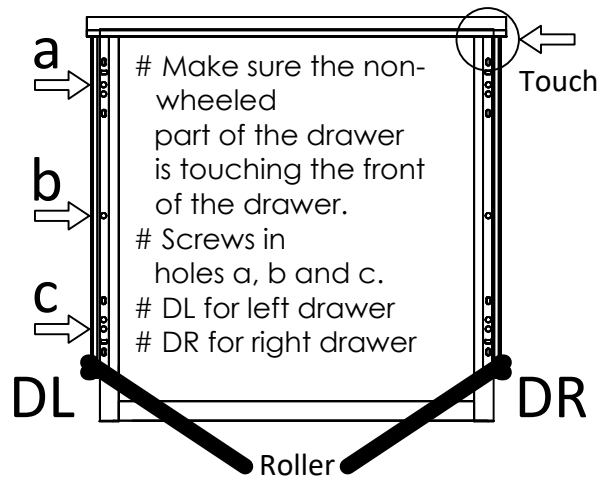
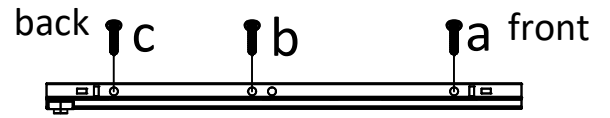


## Step 11 (Drawer Completed)



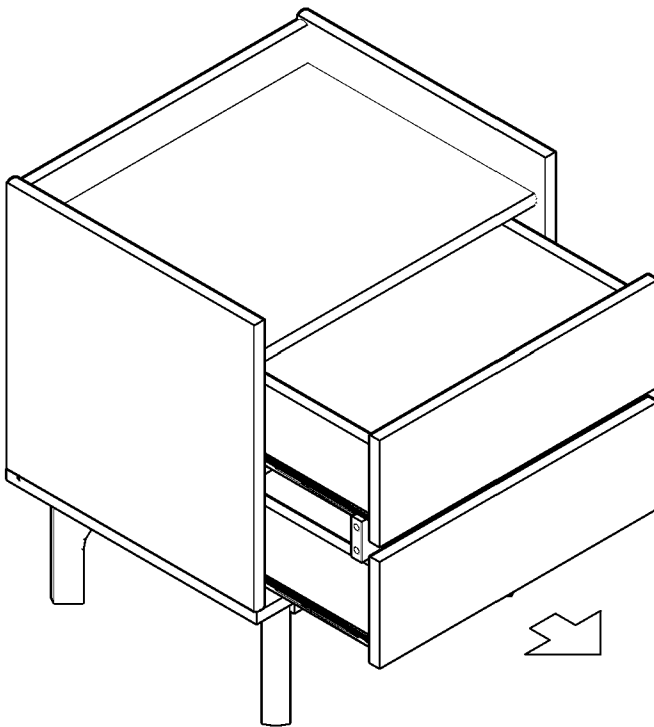
**Note:** Please find the DL and DR steel seals on the tracks.

(D1)x2	(D2)x12
	M3.5x12MM



x2 Sets

## Step 12

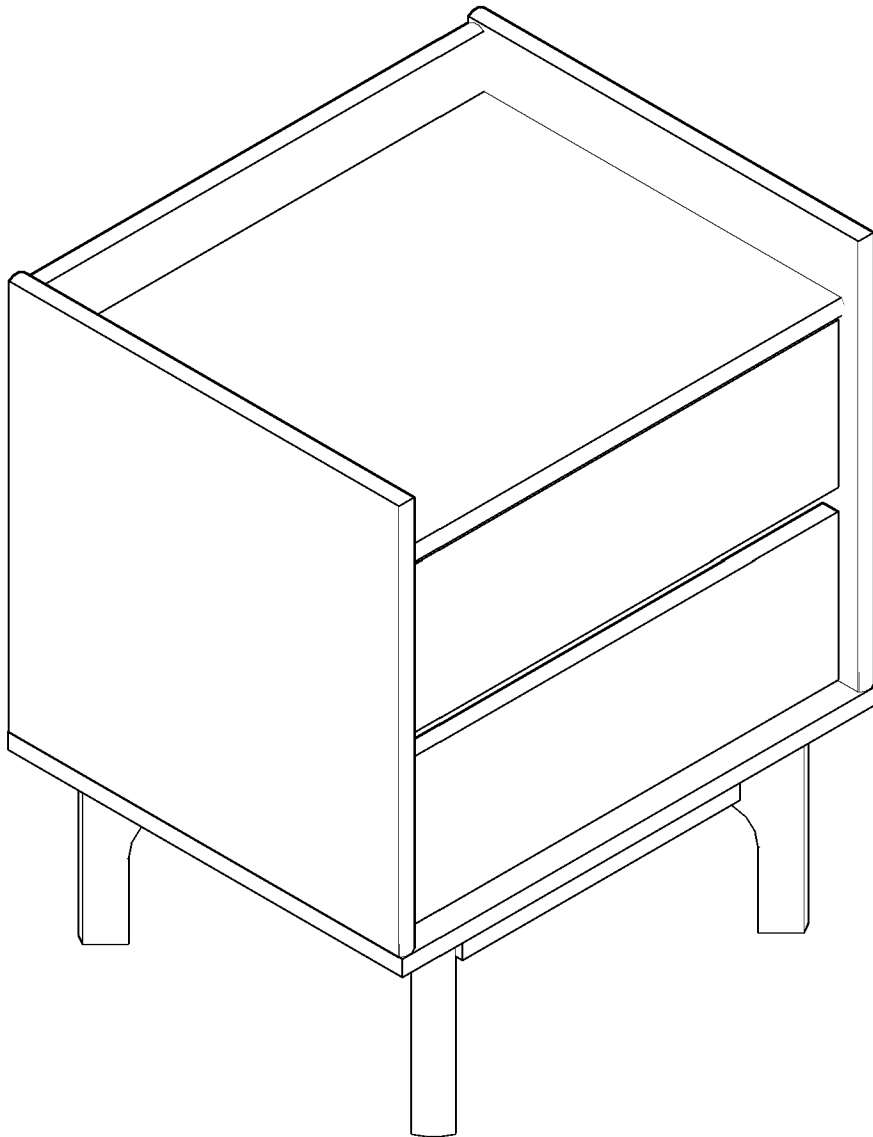


### Installing Drawer

Insert Drawer Panel into the cabinet.

# VOILA!

Now enjoy.



## Warning !!!

**DO NOT stand or sit on the table as this may damage the product and cause serious bodily injury.**

# Something not right?

We are always here to help.

We make mistakes like every human does. Though we always strive to provide the best possible products at competitive prices and the best service in the industry, it's not possible to completely eliminate mistakes. If you experience any dissatisfaction, feel free to contact us immediately. Our in-house customer care team will respond ASAP.

- [customerservice@luxenhome.com](mailto:customerservice@luxenhome.com)  
Get response within 24 hrs
- 909.548.6688  
Mon-Fri 9am-5pm PST/PDT
- [www.luxenhome.com/help](http://www.luxenhome.com/help)  
Submit a ticket on our website

## Things to do to expedite the process

- Have your order# ready
- Take photos/videos to help us better identify the issues
- DO NOT throw away the packaging

# Happy with our product?

## Leave us a review

It really help us as a small business

Find the product you purchased on our website (tip: search by SKU) and leave us a review.

Alternatively, you can always return to the marketplace where you purchased it and leave a review there.

## Share with others

Our customers look for REAL stuff

- Follow us on IG @luxen.home
- Share your #liveluxen moments



# Please save this manual for future reference.