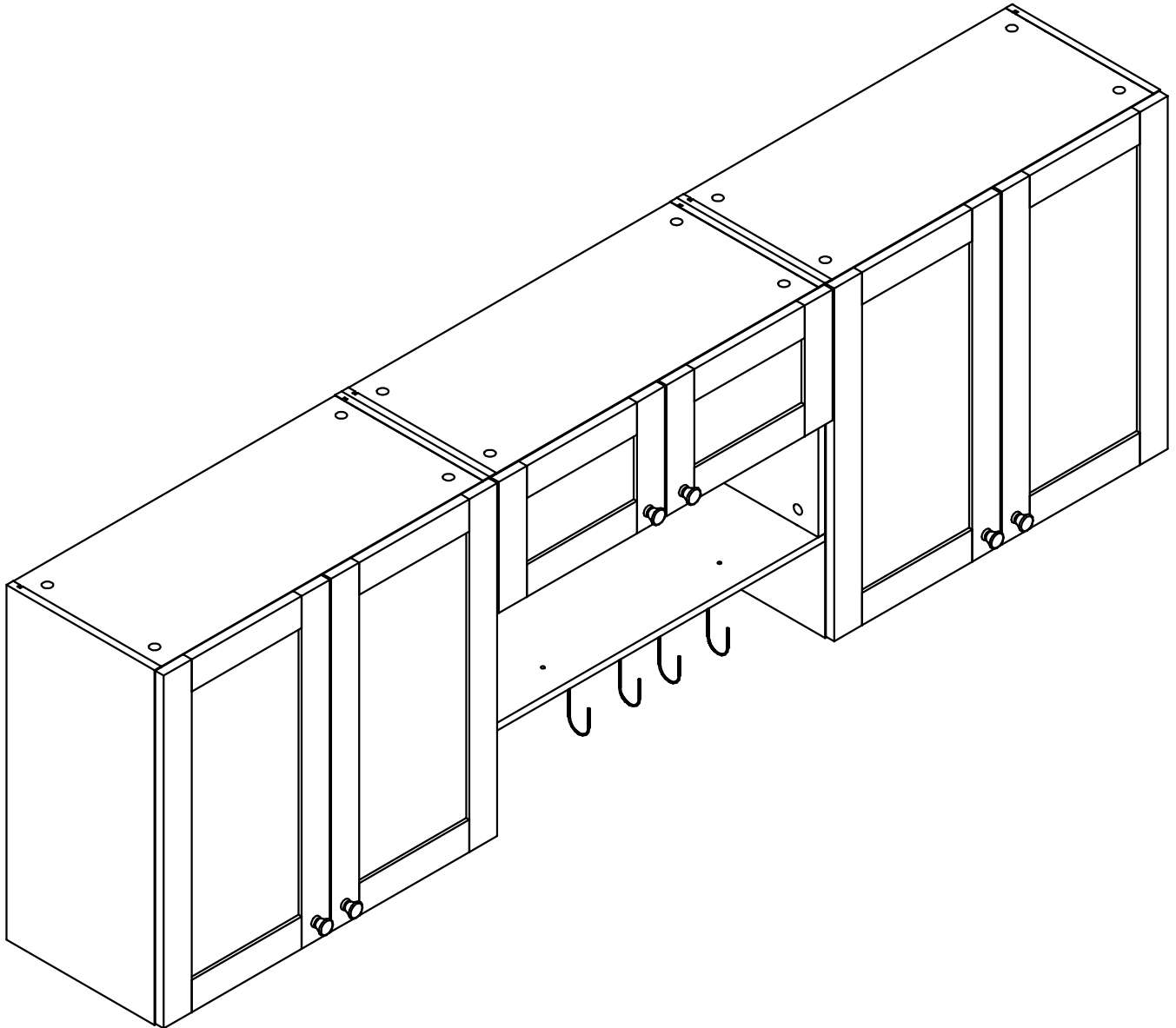


ASSEMBLY INSTRUCTIONS



1. Thank you for choosing our products.

2. Return Policy



DO NOT RETURN TO THE STORE! Skip the process of returning your product and contact us directly for a replacement.


If you find that parts of your order are missing or damaged, we will gladly ship any needed replacement parts free of charge.


If your product's quality does not meet your expectations or you have found any sort of defect, please contact our customer service department and let us know the details of your order and any issues encountered. We will try our best to provide you with a solution.

Feel free to also directly contact our manufacturer concerning needed replacement parts, and they will be happy to help provide you with a solution or answer any questions you may have.

Recommendations Before Beginning Assembly

 • Read instructions cover to cover.

 • Have 2–4 adults on hand for assembly, depending on product size.

 • Do not assemble directly on flooring or carpet.

 • Assemble on a clean, non-marring surface (example: packing foam).

 • Save all packaging until finished.





3. Assembly Notice:

- If you encounter any problems during assembly and find that you cannot continue, rest assured we will help you solve the situation as soon as possible. Simply keep all of the parts and packaging until the issue has been resolved.

Keep all parts of the product stored in a safe place and contact us immediately so we may assist you further.

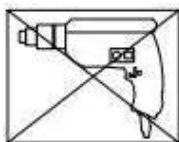
- ☒ Once you have opened your package, remove all inner hardware packages and take the parts out. One by one, place the parts neatly in front of you, then refer to the instructions to ensure no parts are missing. If any pieces are found missing, please carefully look in the box first, as the hardware packaging might have torn, causing the hardware to spill inside the box.
- ☒ Some key parts of your product may be stored and hidden inside other parts. Please open any zippered or hook-and-loop storage compartments to remove all parts (for example: cushions and legs stored in the underside of a sofa).
- ☒ **IMPORTANT:** When setting up your product, **DO NOT INSTALL THE SCREWS ALL THE WAY IN AT THE BEGINNING.** Place each screw into its proper hole and hand-twist it halfway. Twist all screws in halfway to ensure the holes align properly and the product sits level on the ground. Once everything fits correctly, tighten all screws securely.
- ☒ When you have completed assembly, we suggest having more than one person assist you with lifting and placing the product.

Care & Maintenance

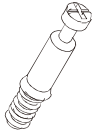

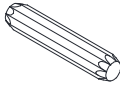


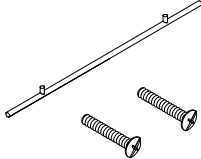
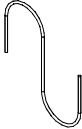
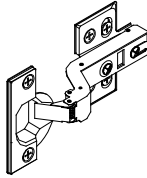




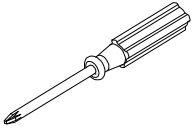
- ⊘  ● Do not put hot items directly on the furniture surface.
- ⊘  ● Do not clean furniture with harsh cleansers or polish.
- ⊘  ● Children should not climb or jump on the furniture.
- ✓  ● Dust and pick up spills using a clean, non-colored, lint-free cloth.

Caution

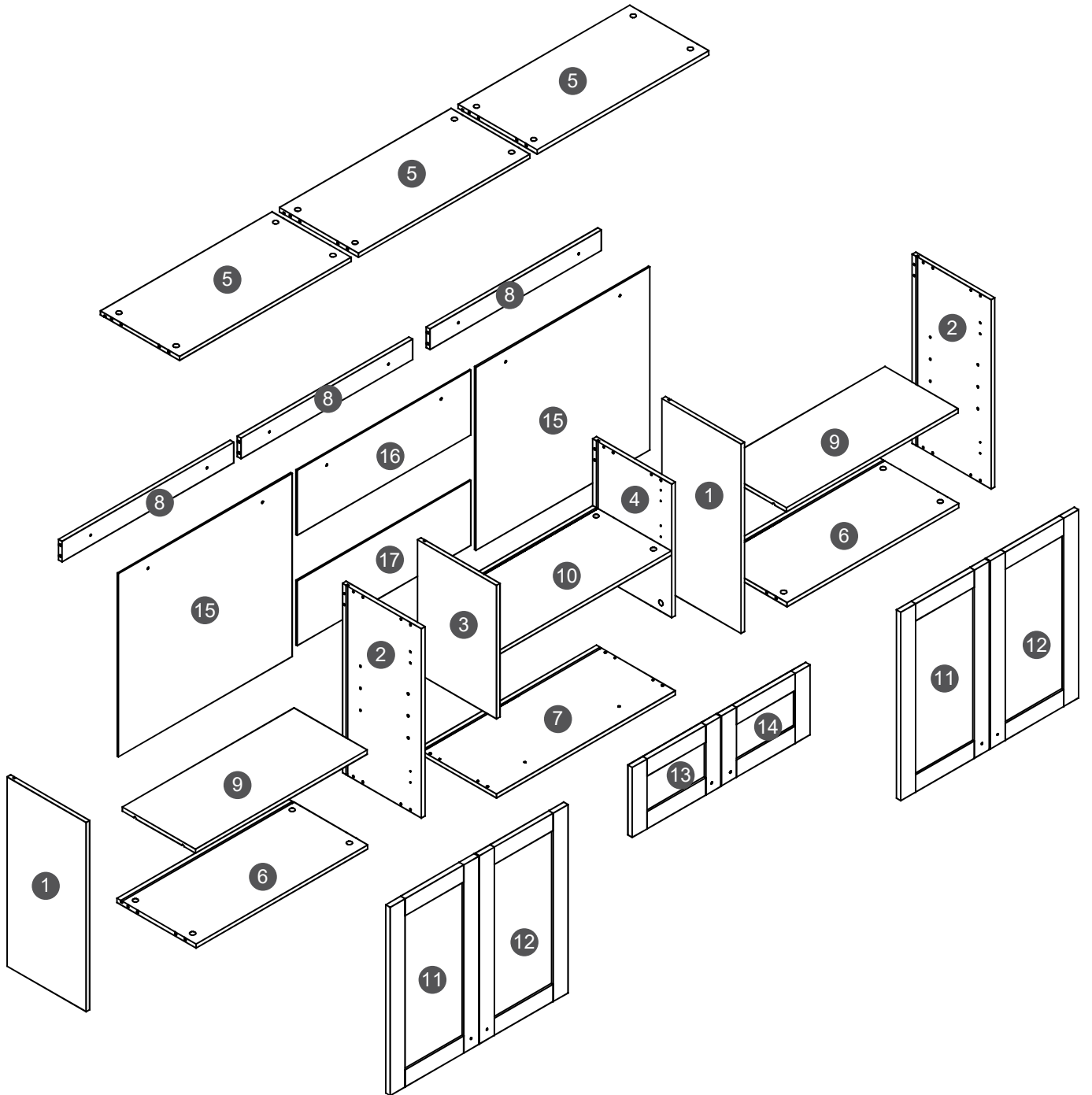
- This product contains small components. Please ensure that they are kept away from small children.
- Do not use power tools to assemble your furniture. Power tools may strip or damage the parts.



HARDWARE

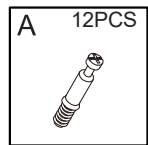
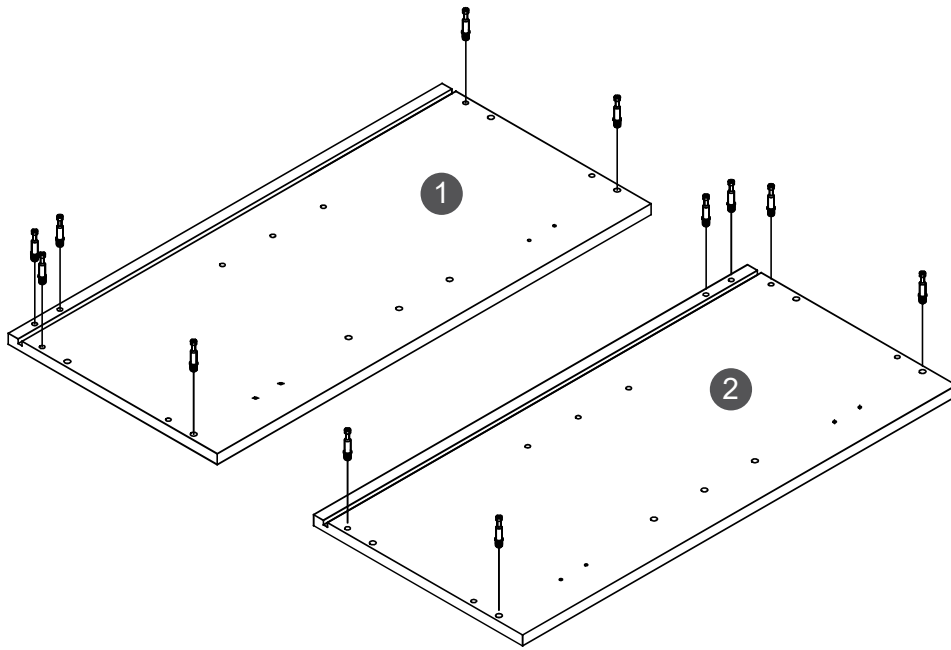
<p>A</p>  <p>40+5pcs</p>	<p>B</p>  <p>40+5pcs</p>	<p>C</p>  <p>28+5pcs</p>	<p>D</p>  <p>72+5pcs</p>
<p>E</p>  <p>6pcs</p>	<p>F</p>  <p>1pcs</p>	<p>G</p>  <p>4pcs</p>	<p>H</p>  <p>12pcs</p>
<p>I</p>  <p>8set</p>	<p>J</p>  <p>6pcs</p>	<p>K</p>  <p>40+2set</p>	<p>M</p>  <p>6sets</p>
<p>L</p>  <p>1set</p>			

PARTS LIST

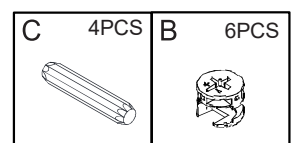
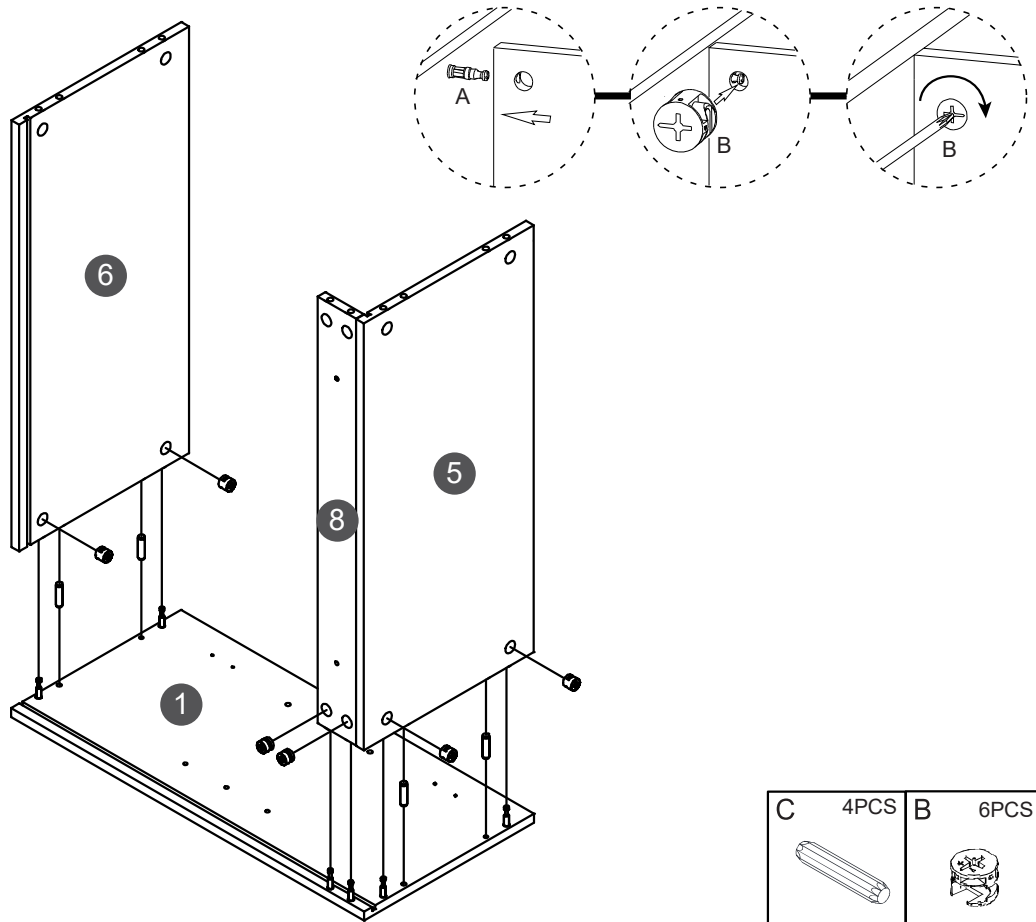


INSTRUCTION MANUAL

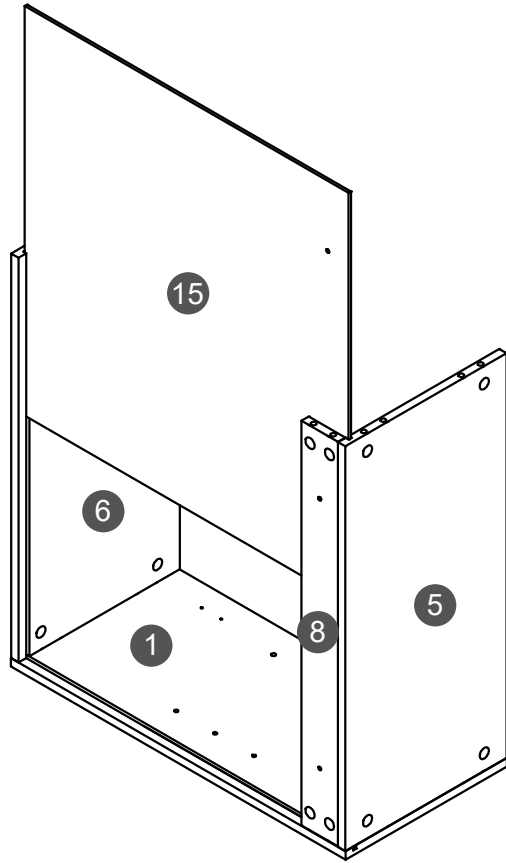
Step 1



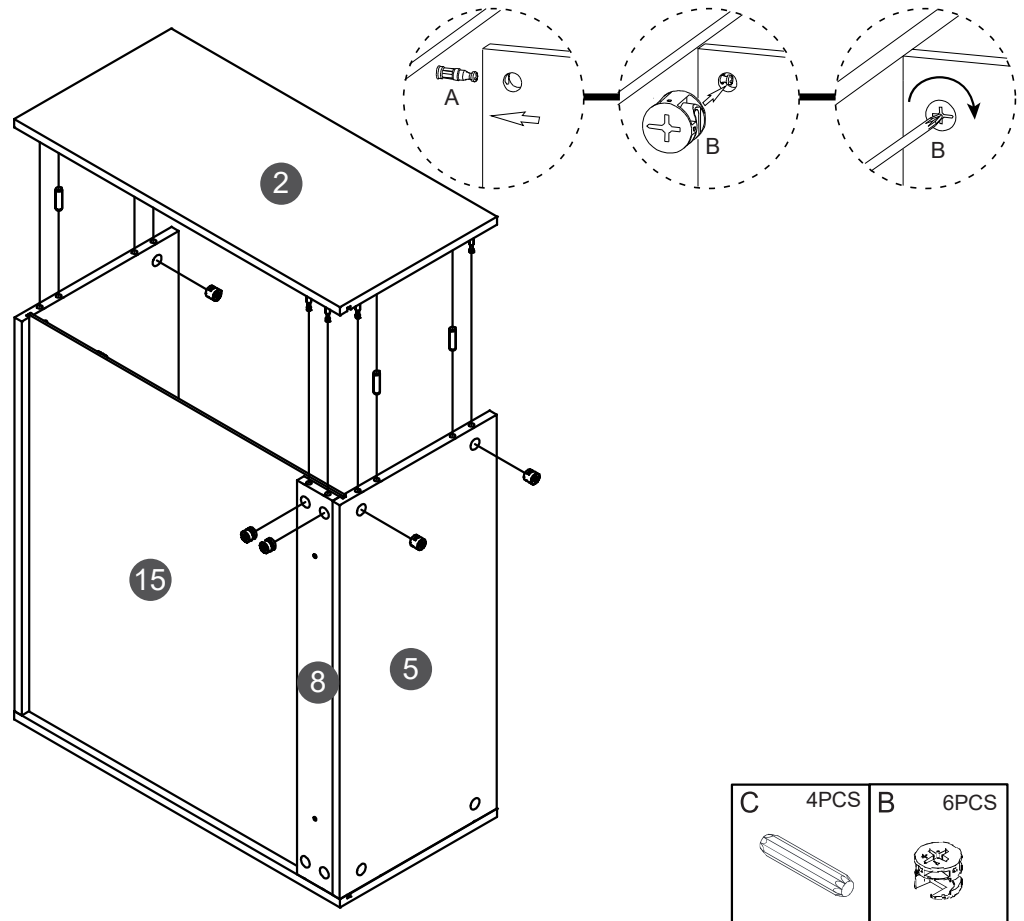
Step 2



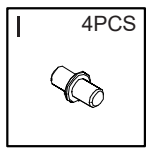
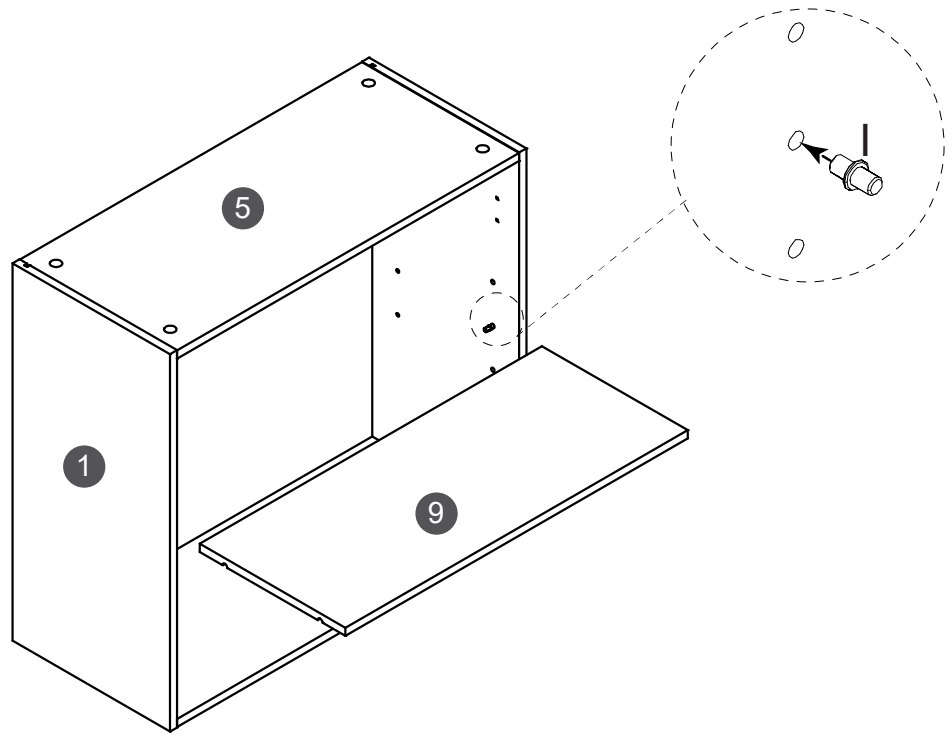
Step 3



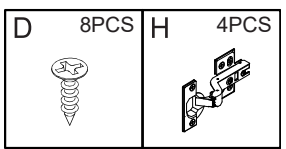
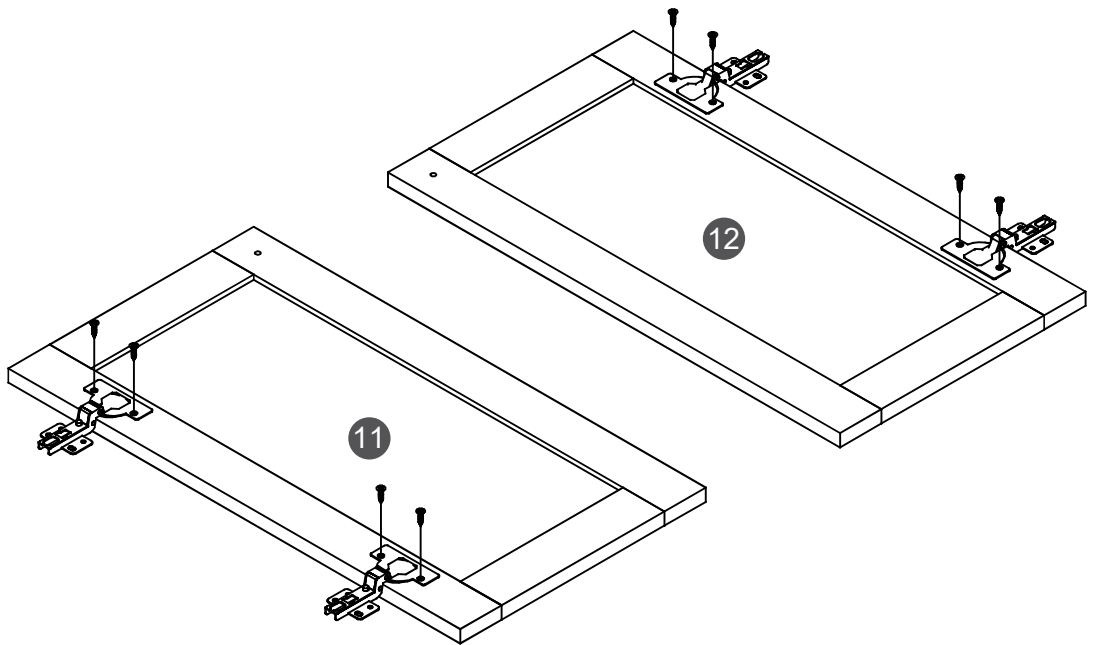
Step 4



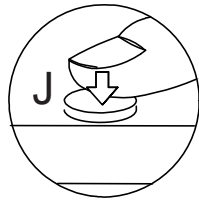
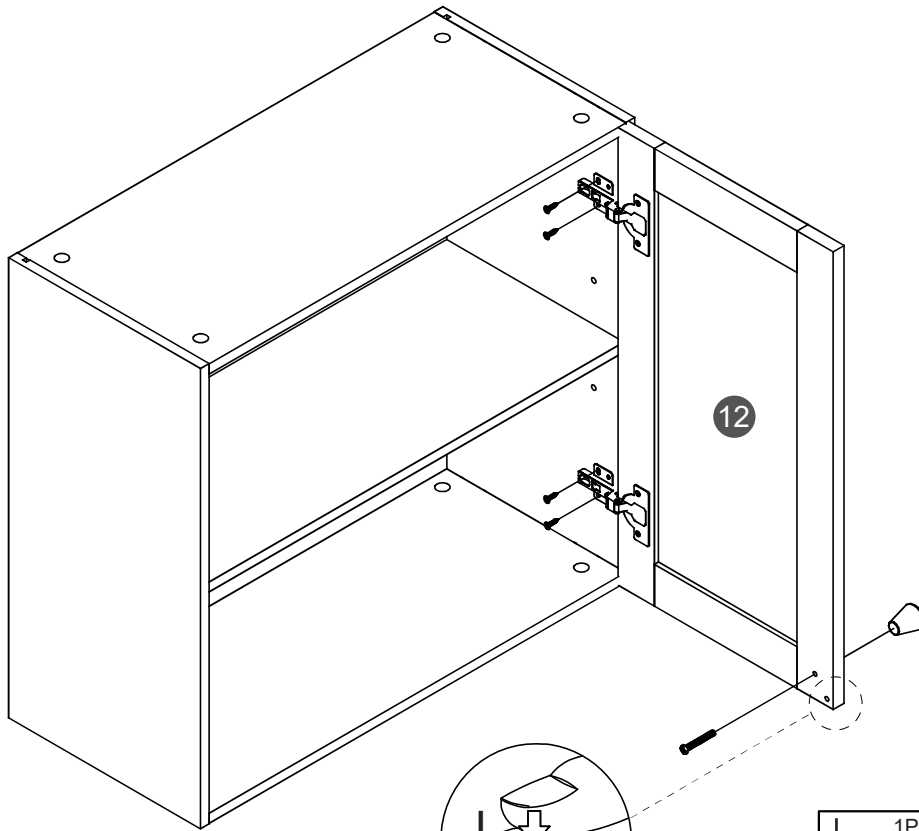
Step 5






Step 6

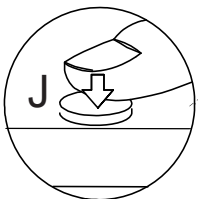
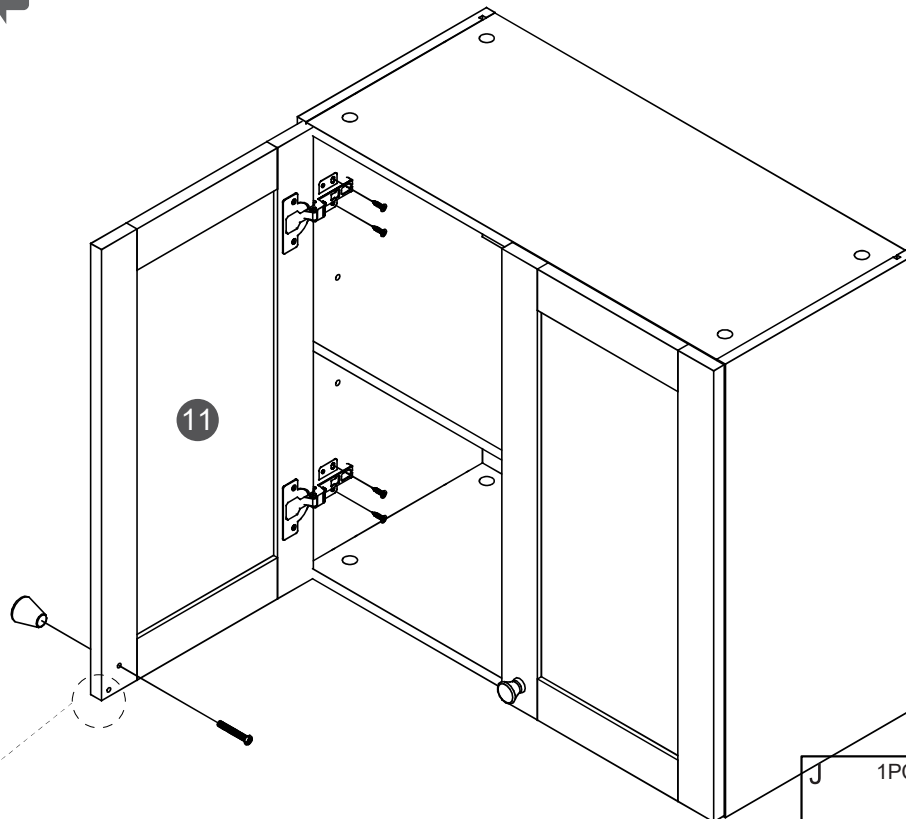





Step 7



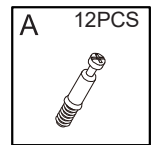
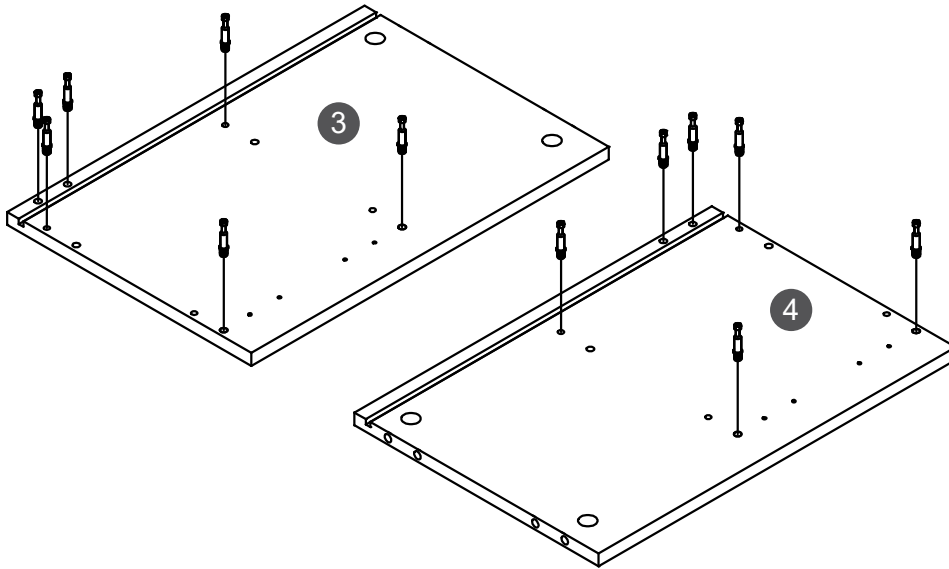
J	1PCS	E	1PCS	D	8PCS
					

Step 8

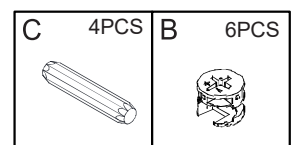
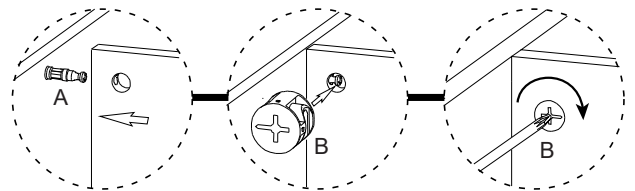
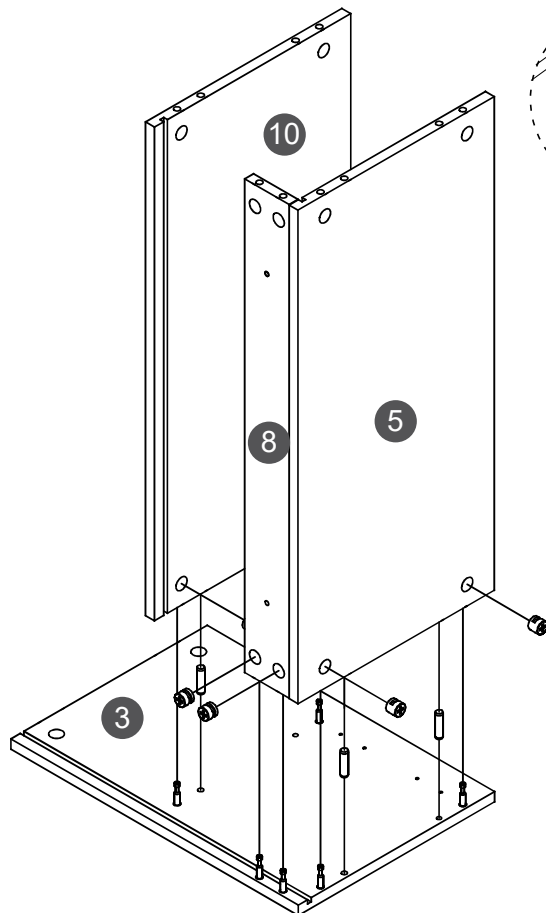


J	1PCS	E	1PCS	D	8PCS
					

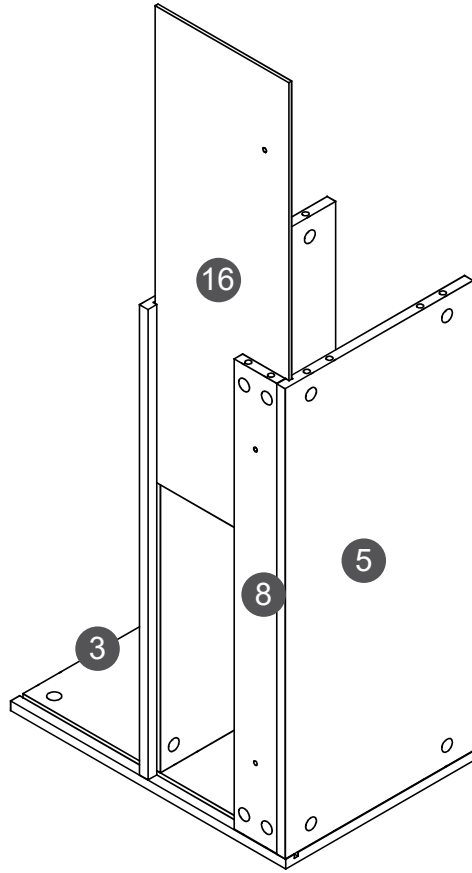
Step 9



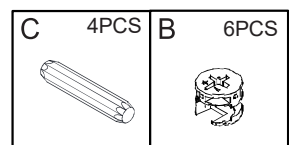
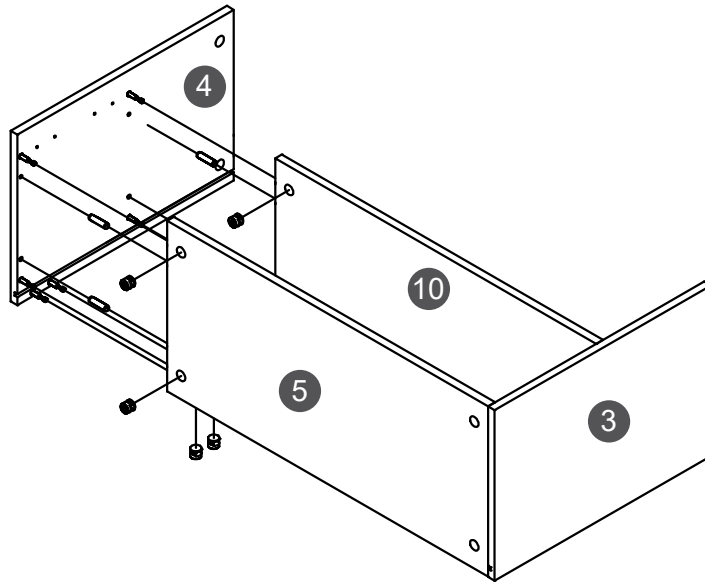
Step 10



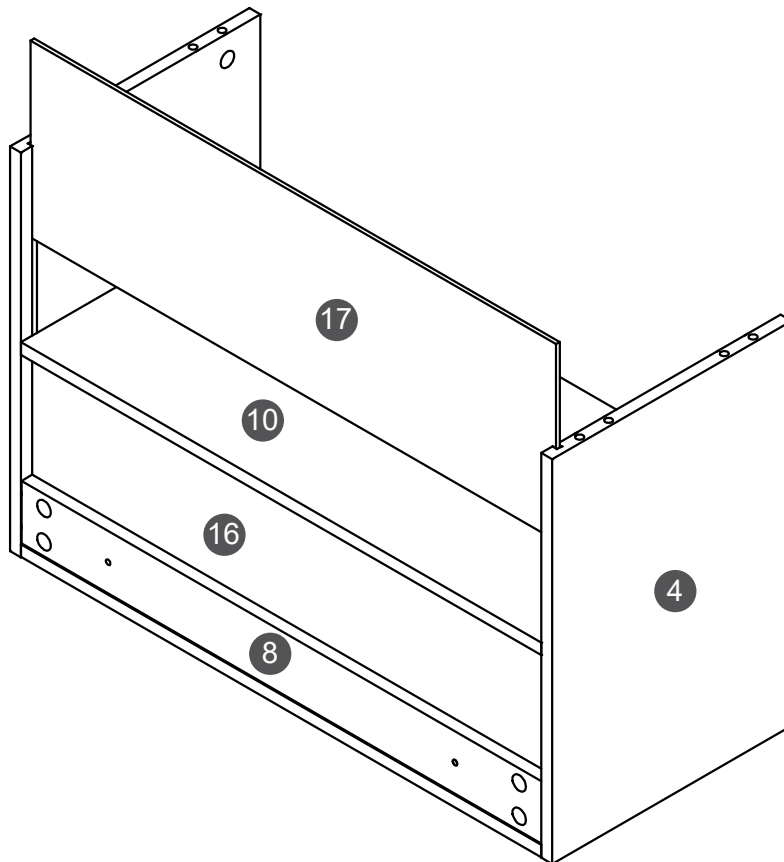
Step 11



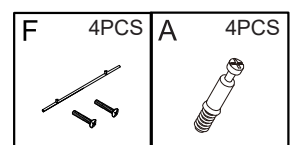
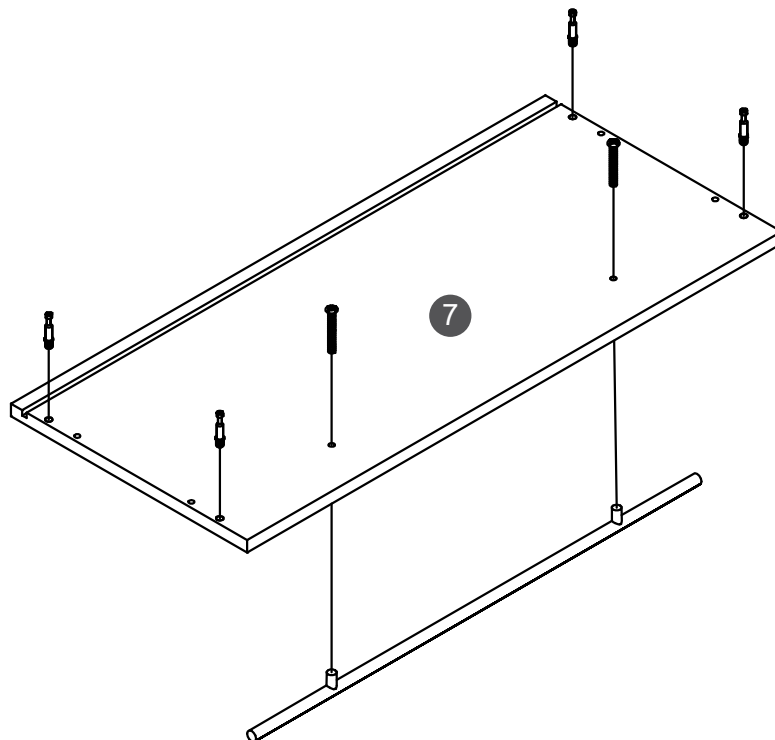
Step 12



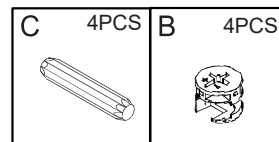
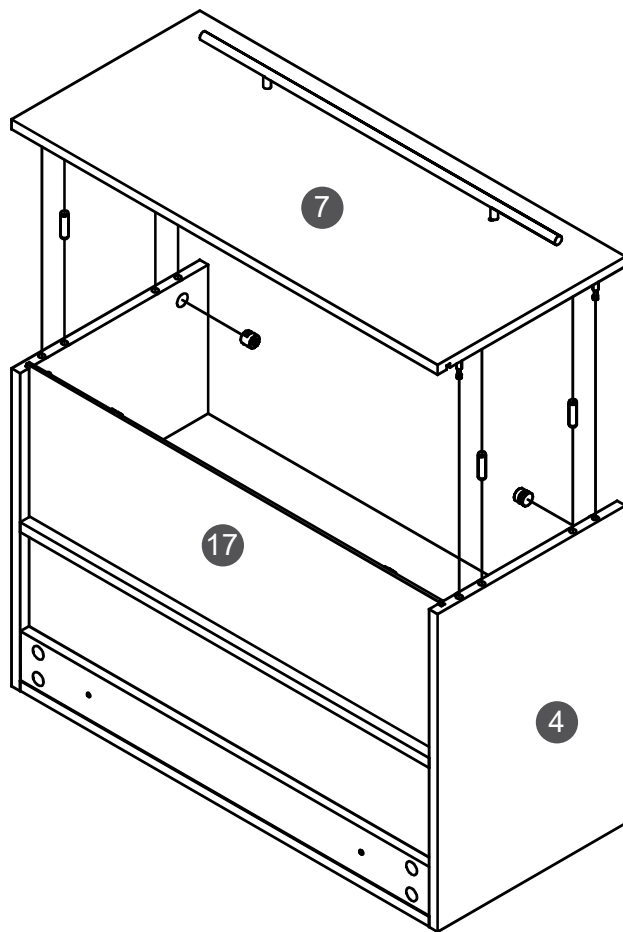
Step 13



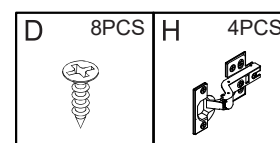
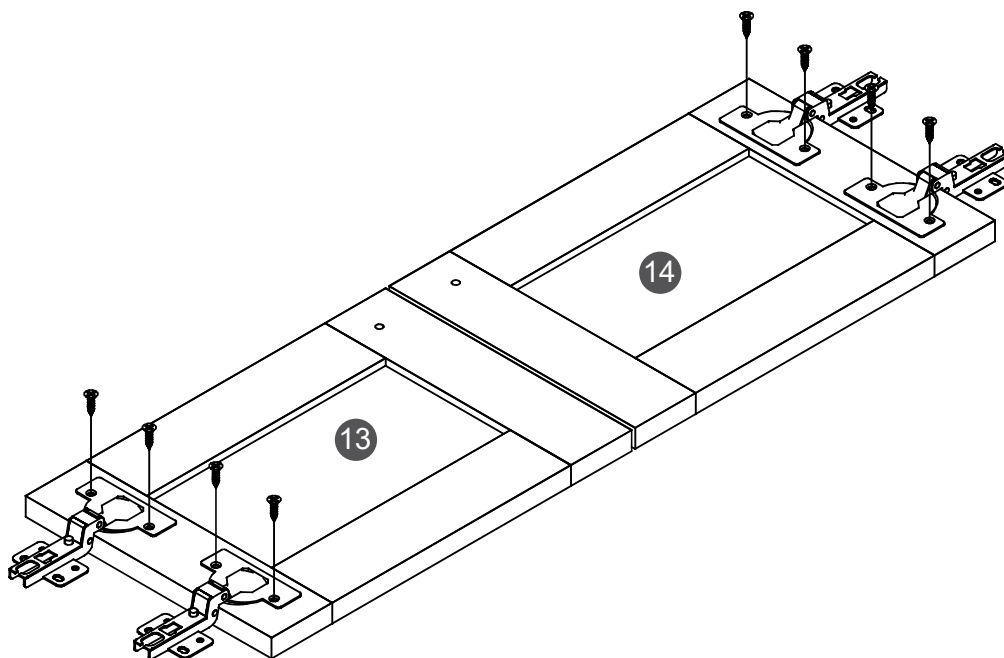
Step 14



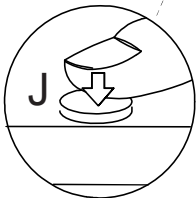
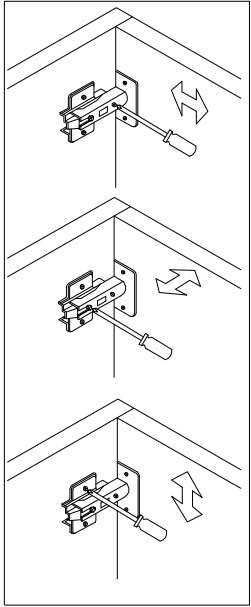
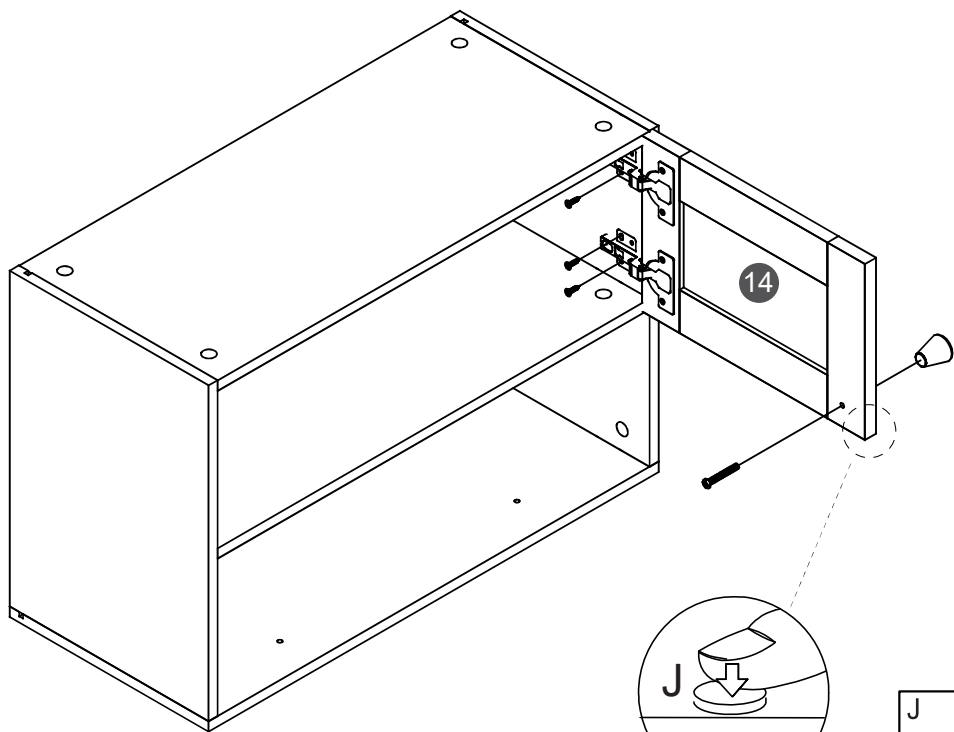
Step 15






Step 16

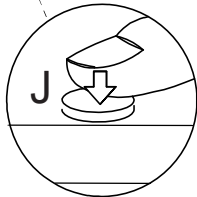
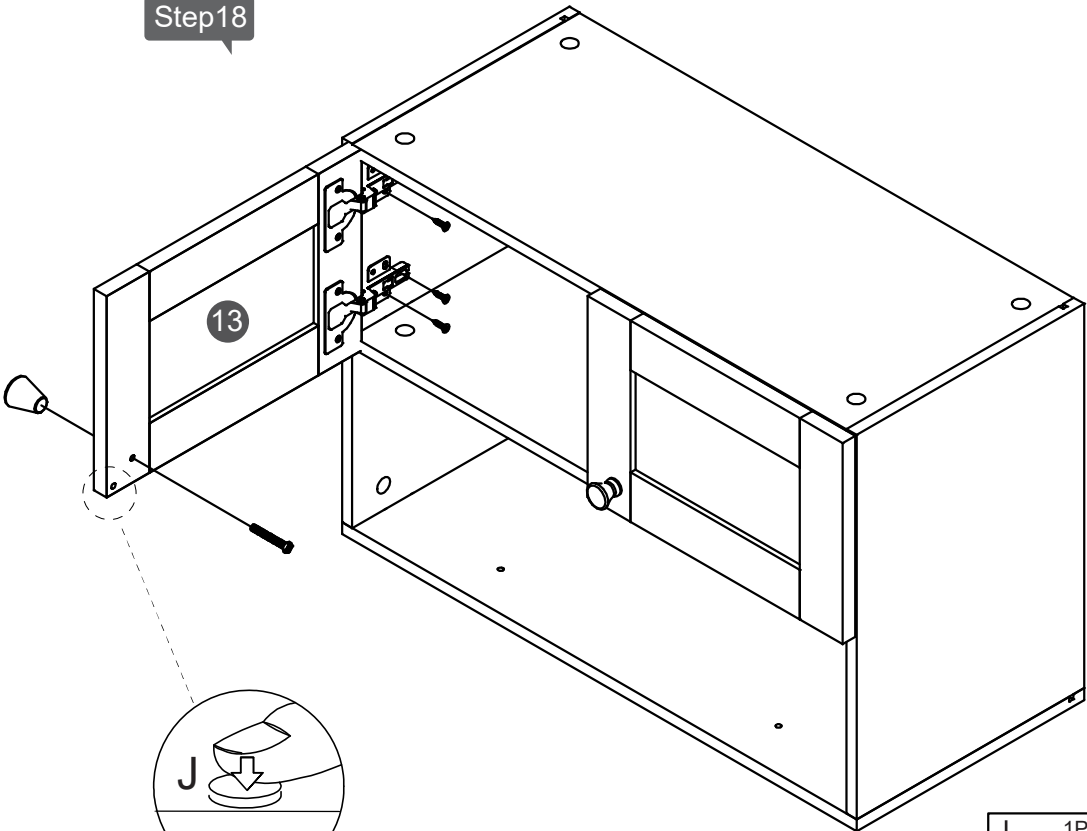





Step 17



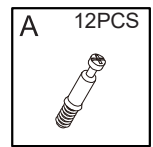
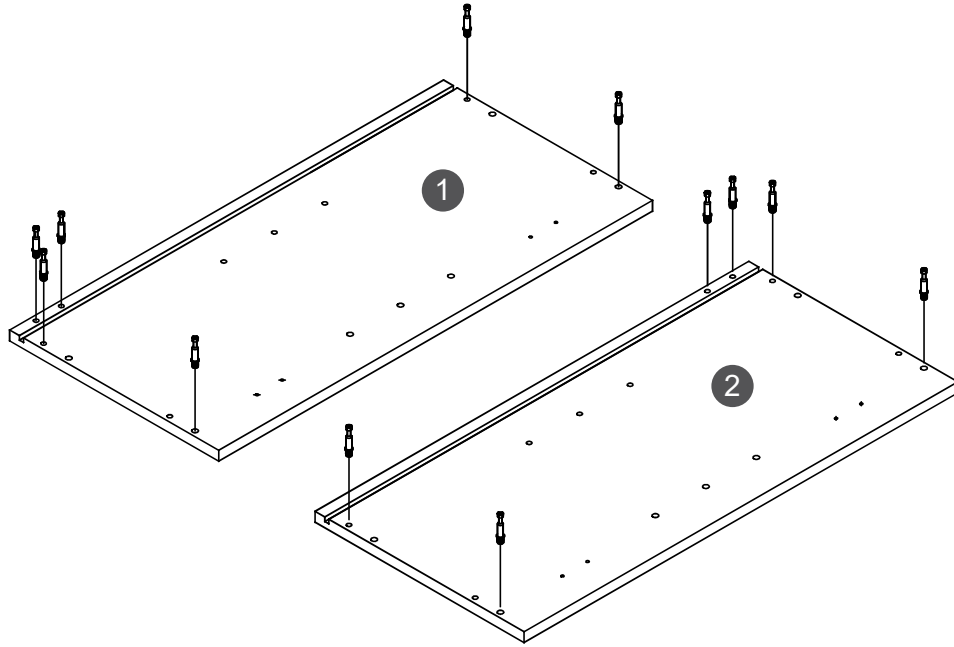
J	1PCS	E	1PCS	D	8PCS
					

Step 18

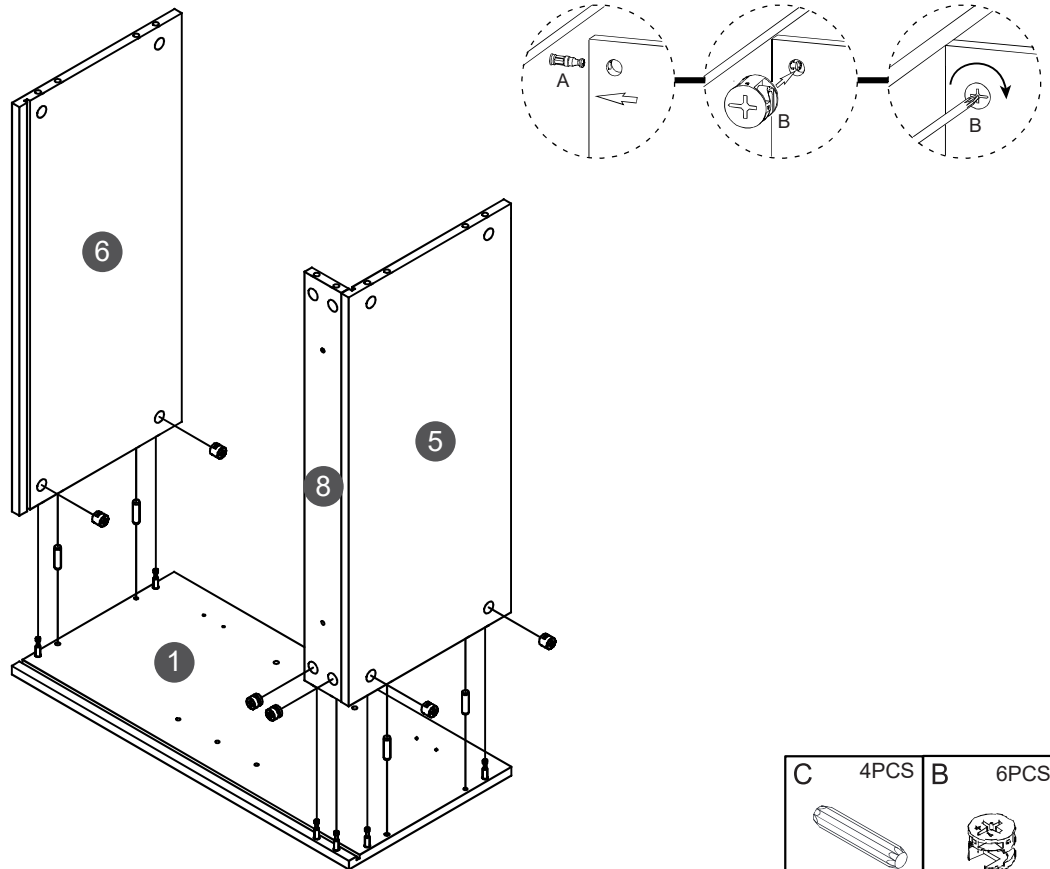


J	1PCS	E	1PCS	D	8PCS
					

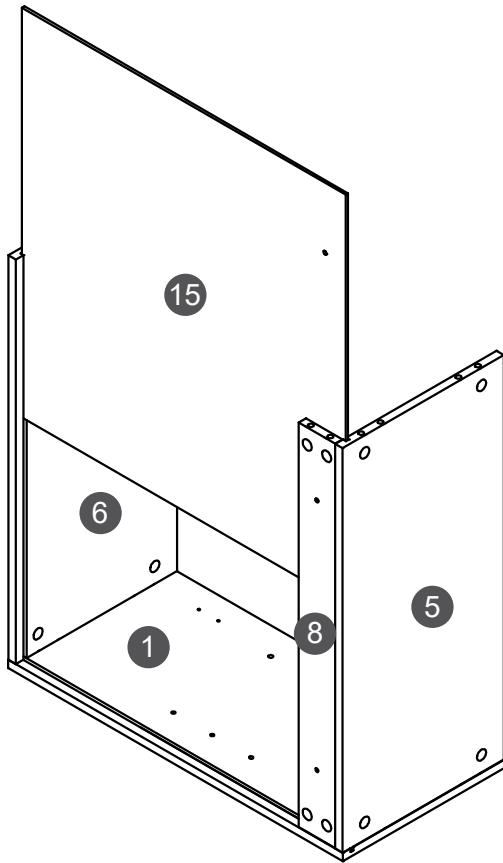
Step 19



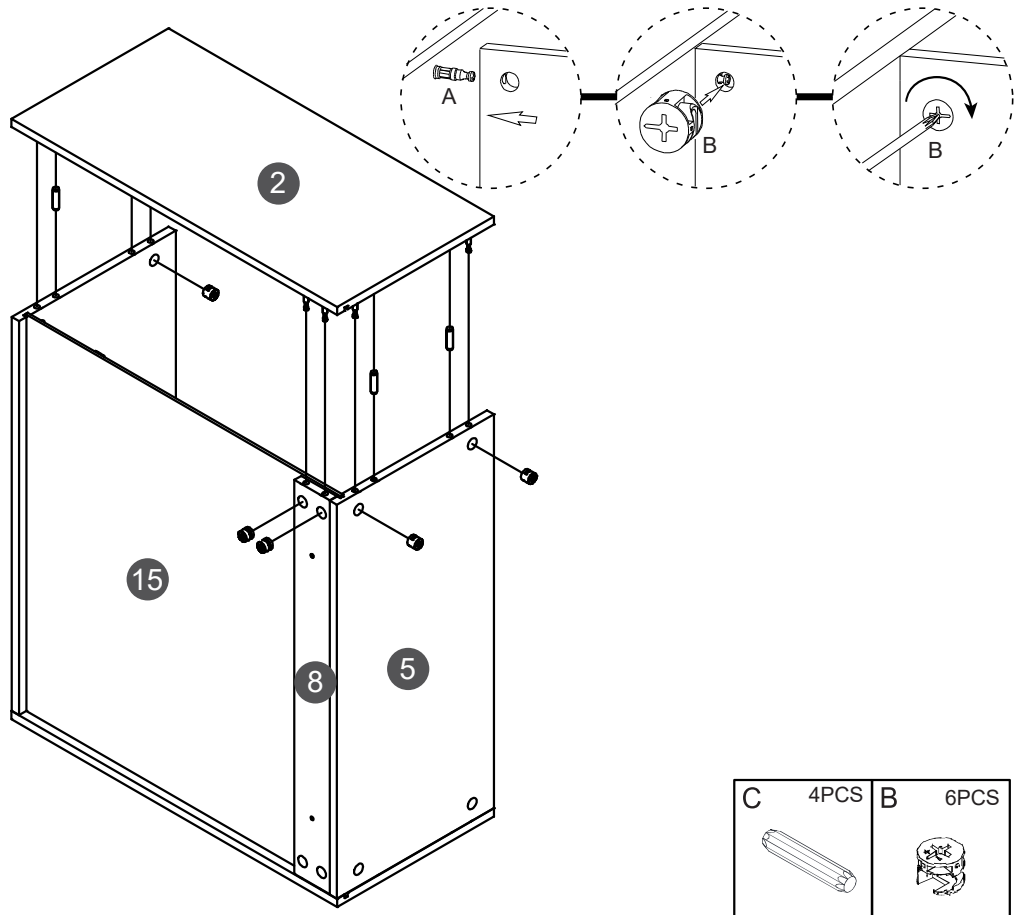
Step 20



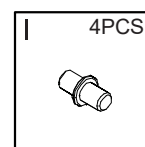
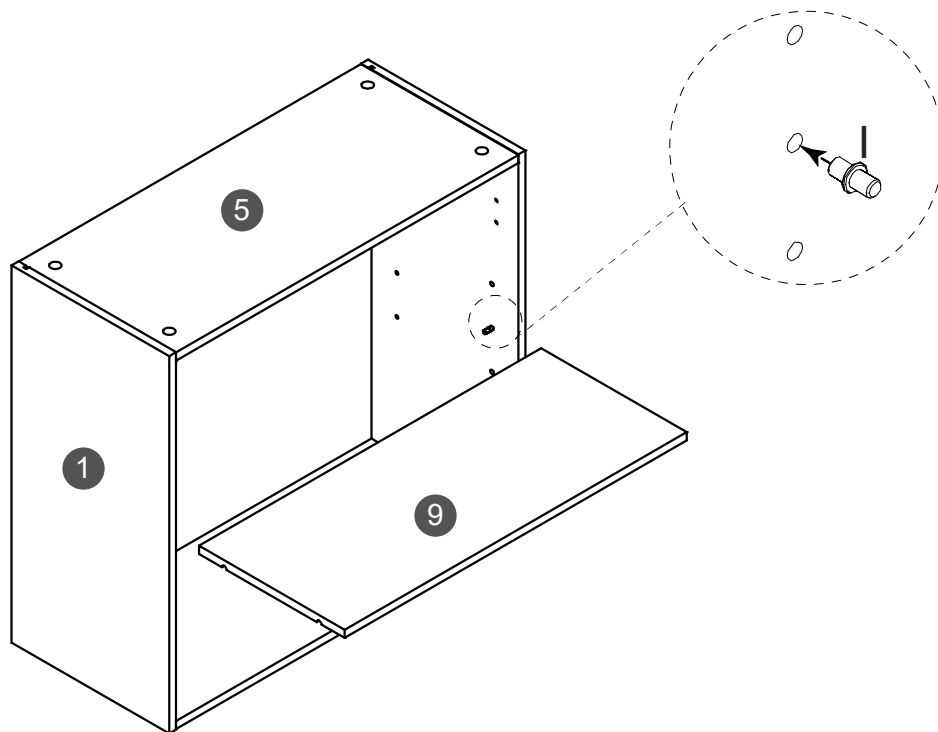
Step 21



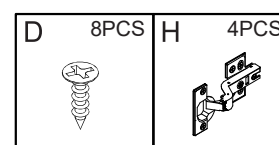
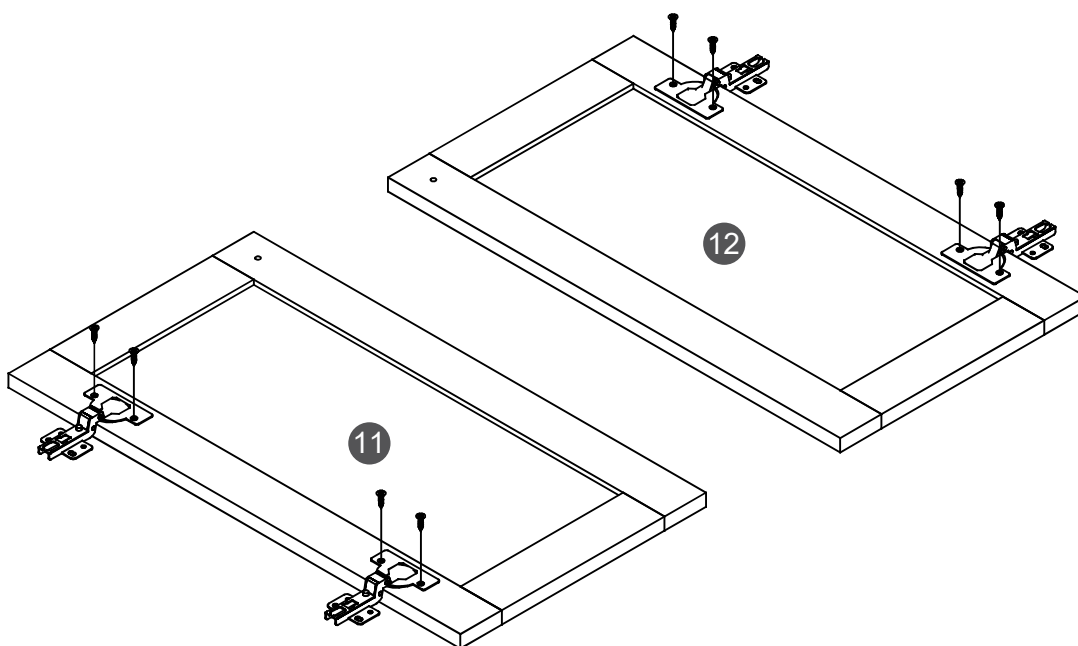
Step 22



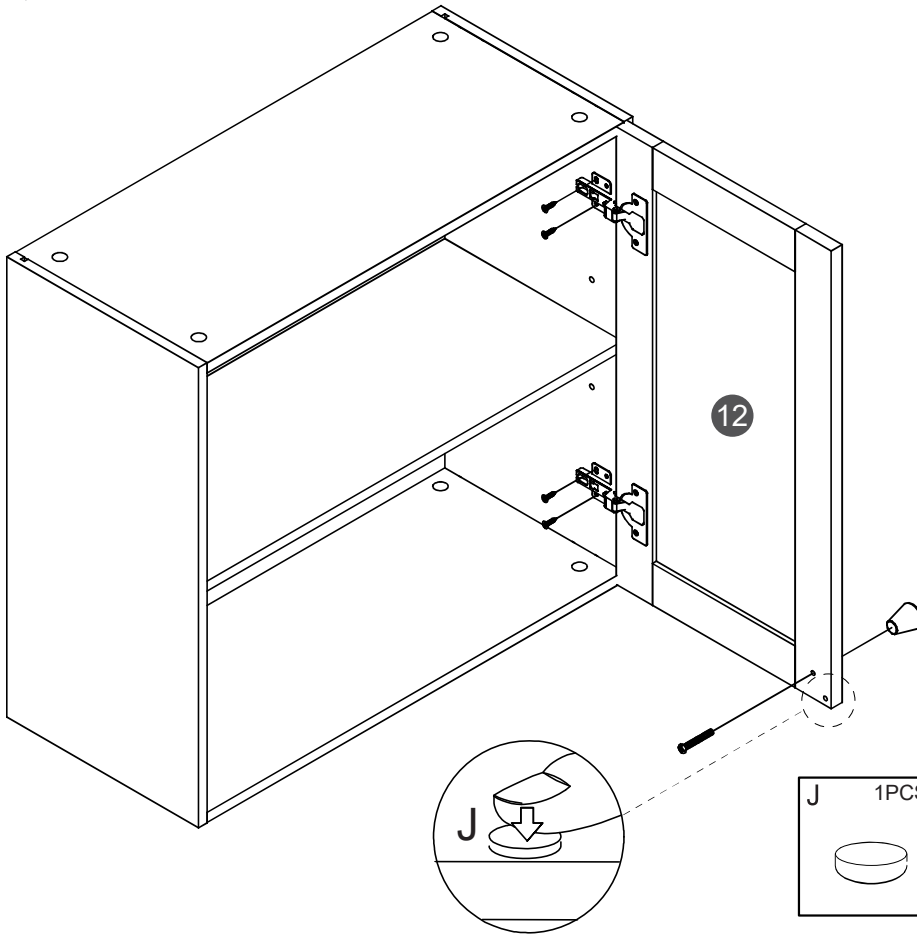
Step 23






Step 24

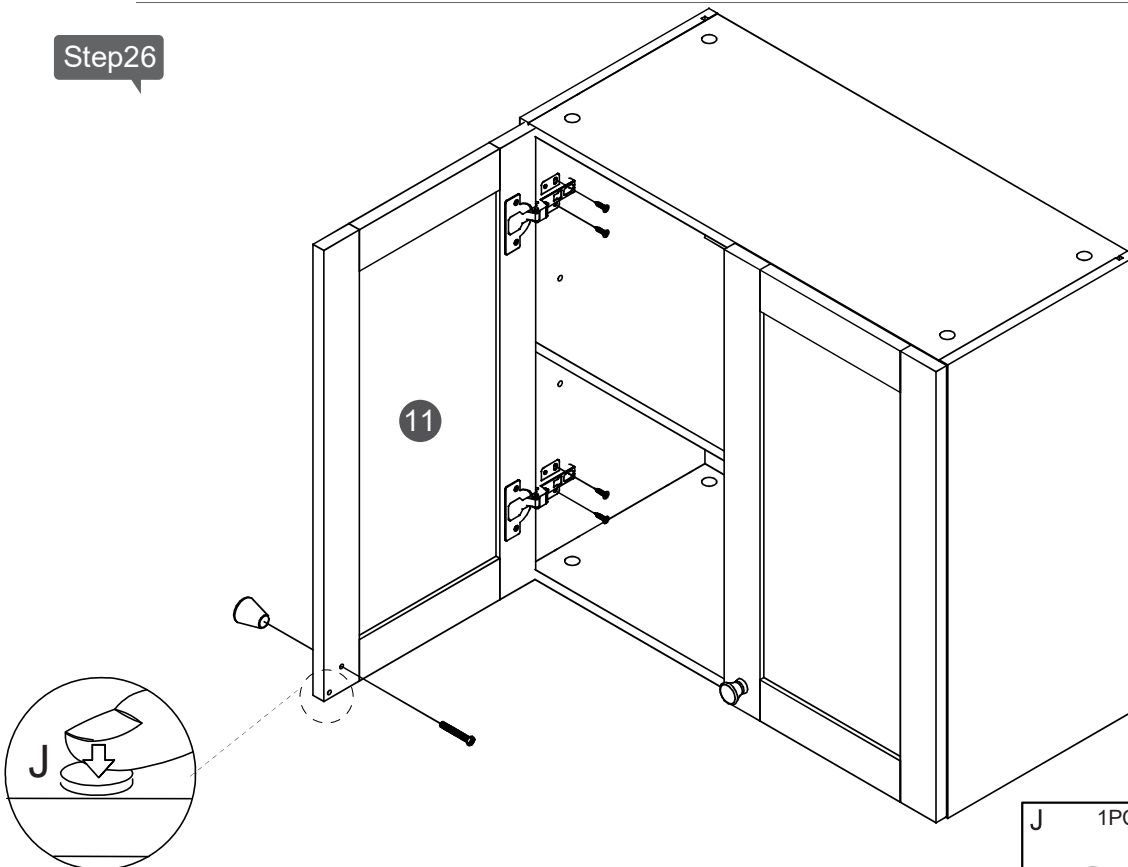





Step 25



J	1PCS	E	1PCS	D	8PCS
					

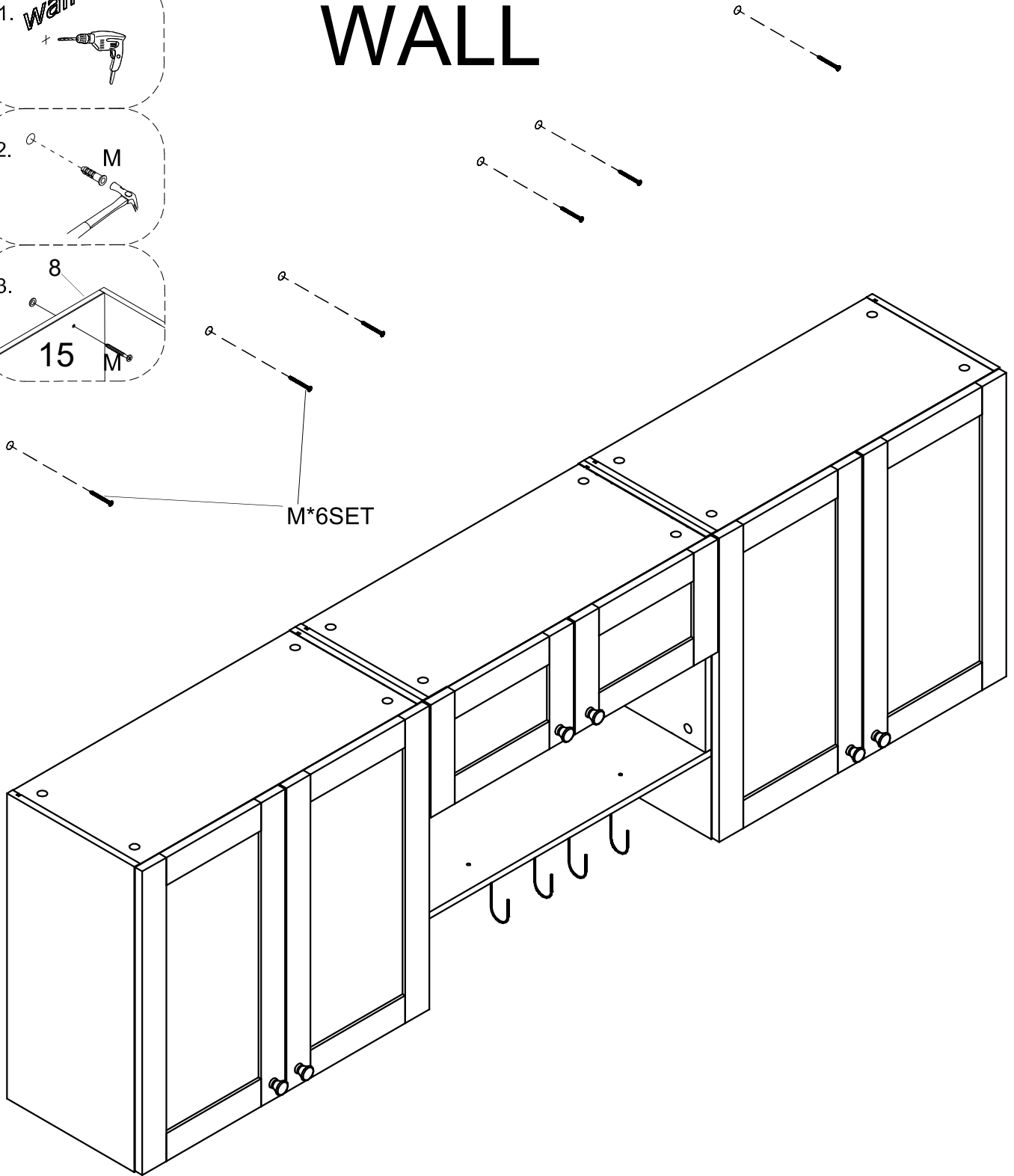
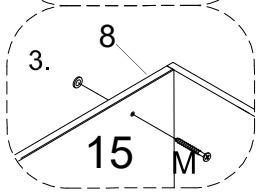
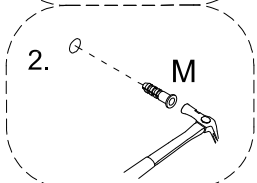
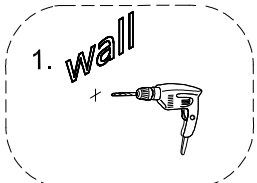
Step 26



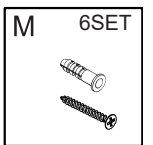
J	1PCS	E	1PCS	D	8PCS
					

Step 27

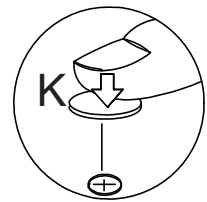
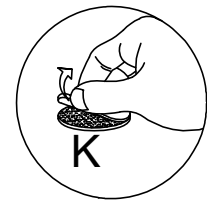
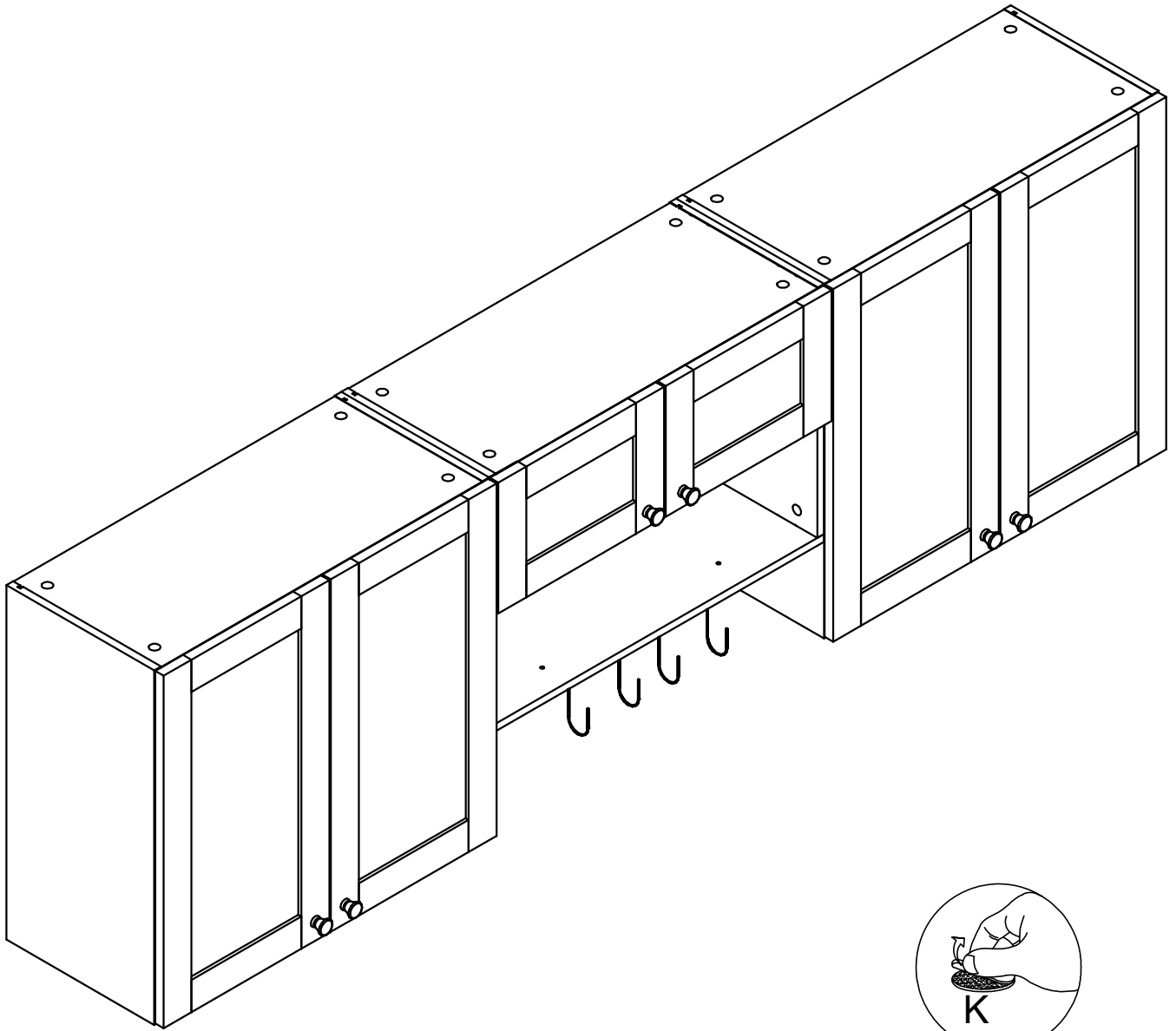
WALL



M*6SET



Step 27



If desired, the holes you see can be covered with a sticker.