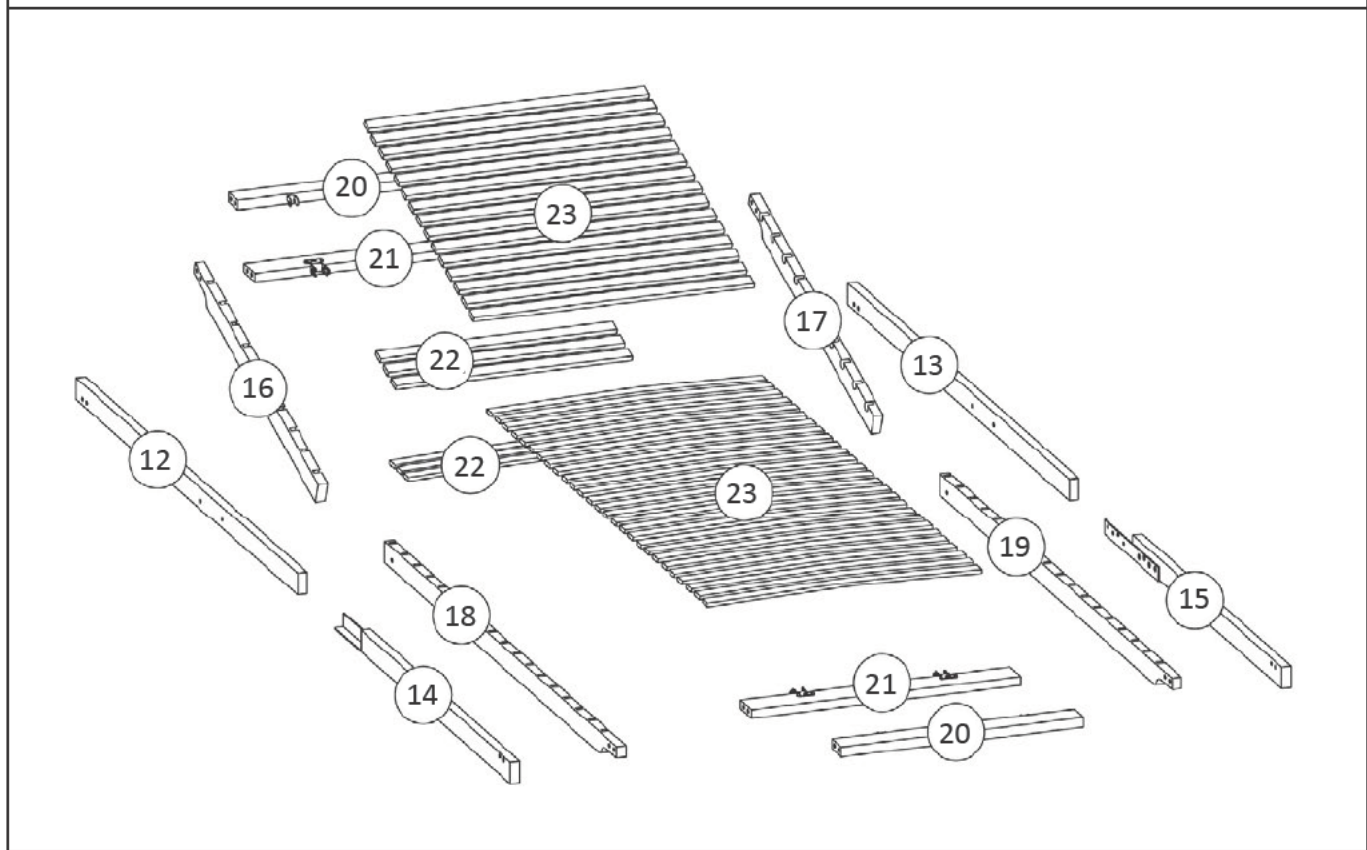
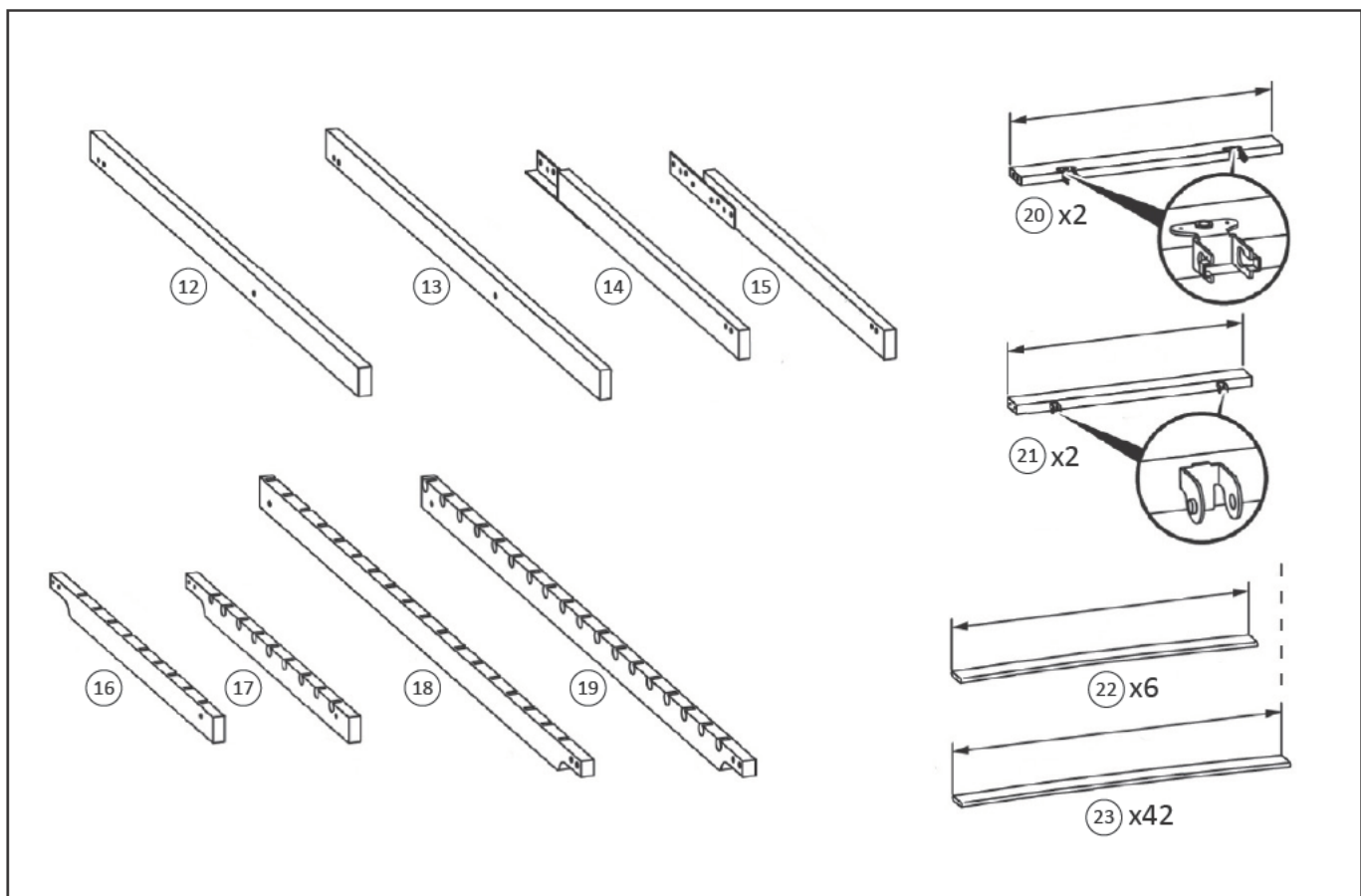


	<p>① x4</p>	<p>② x12</p>	<p>③ x16</p>
	<p>④ x4</p>	<p>⑤ x2</p>	<p>⑥ x20</p> <p>Φ7mmx50mm</p>
	<p>⑦ x8</p> <p>Φ5mmx20mm</p>	<p>⑧ x12</p>	<p>⑨ x1</p>
	<p>⑩ x1</p>	<p>⑪ x2</p> <p>Φ3.5mmx16mm</p>	

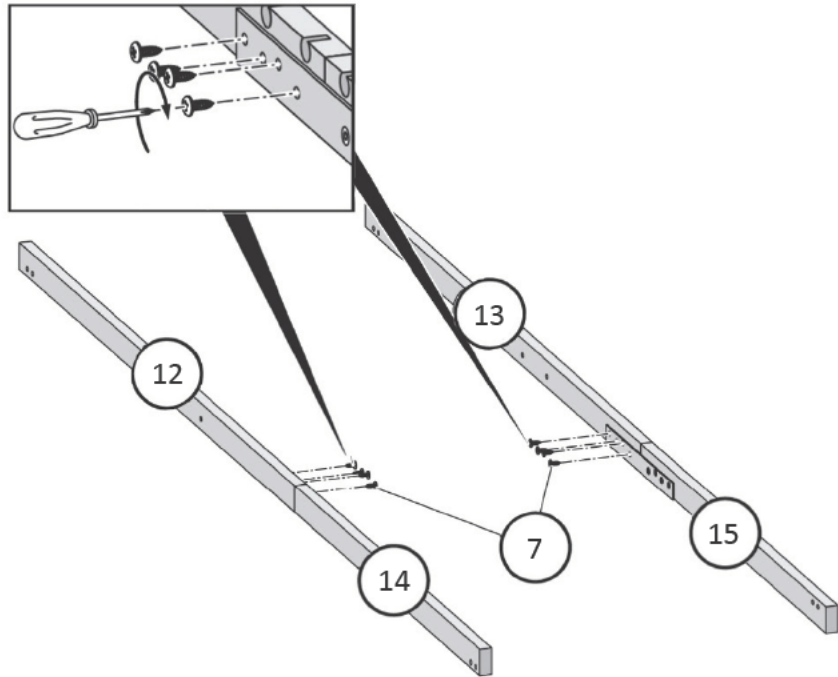


A x1

⑦ x8



Ø5mmx20mm



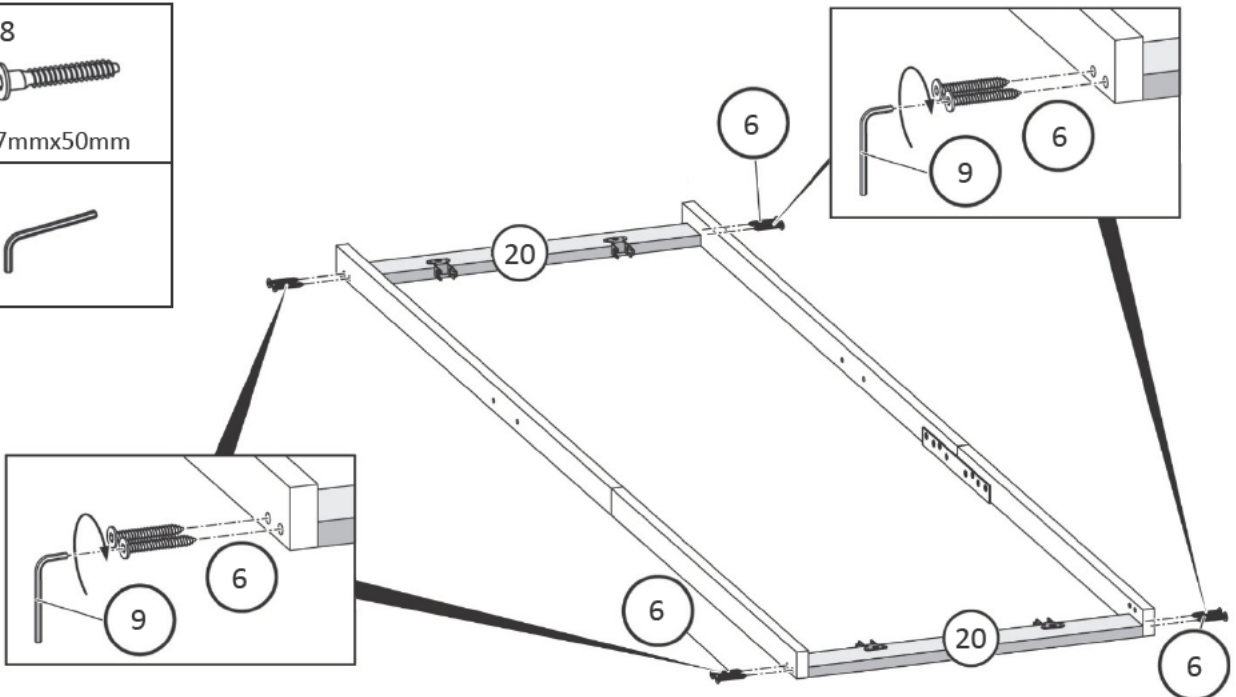
B x1

⑥ x8

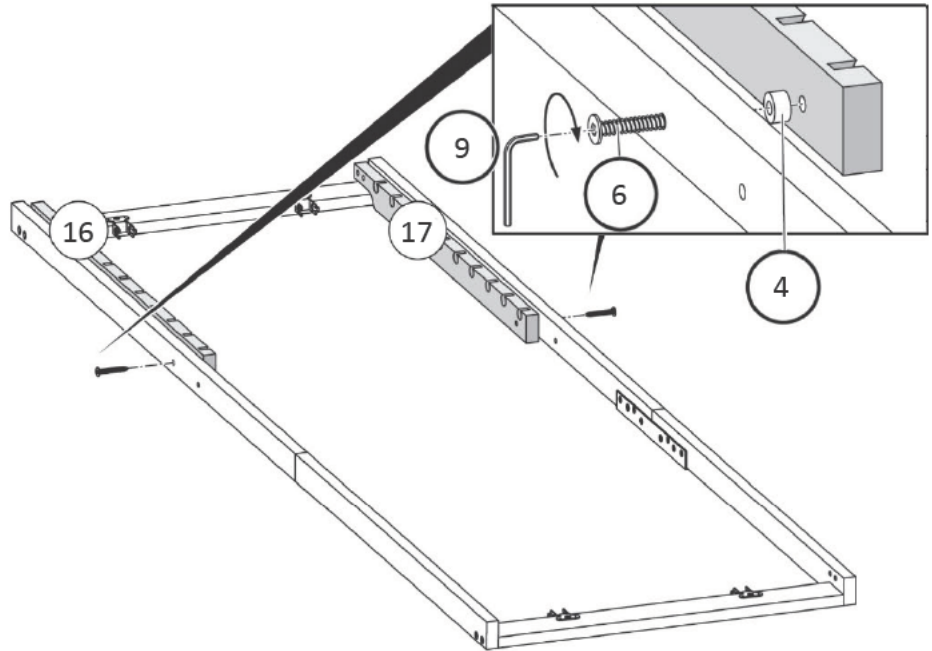
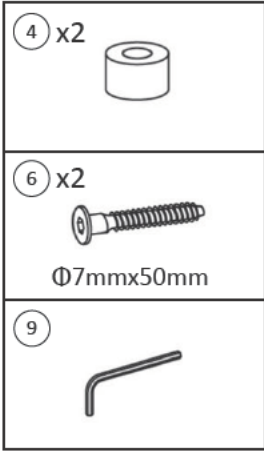


Ø7mmx50mm

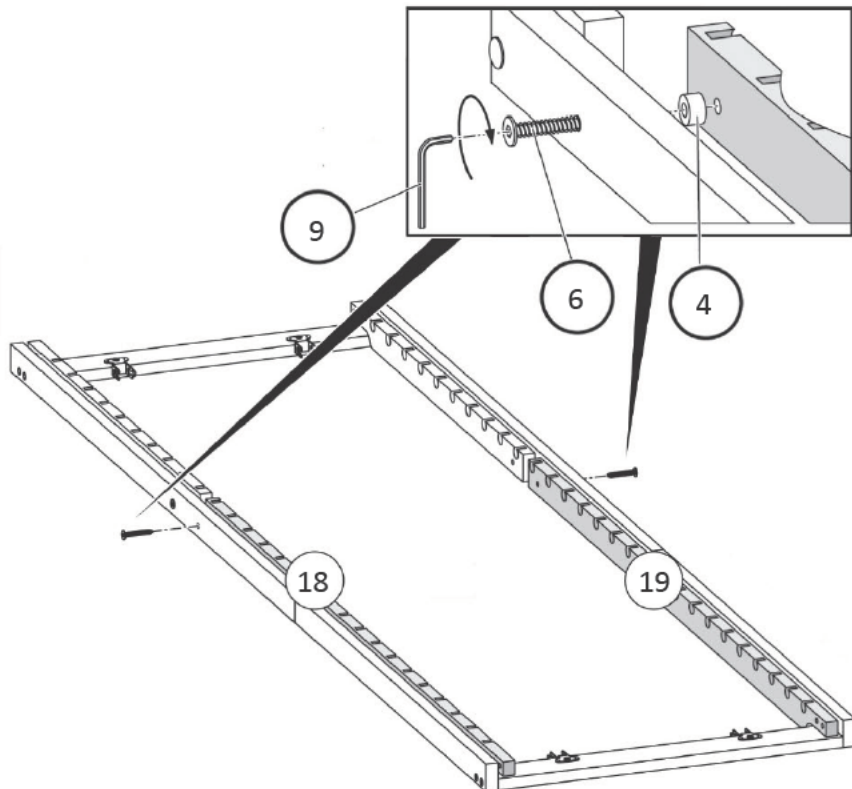
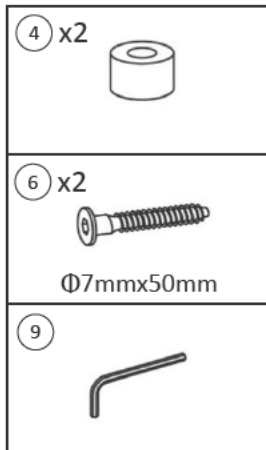
⑨



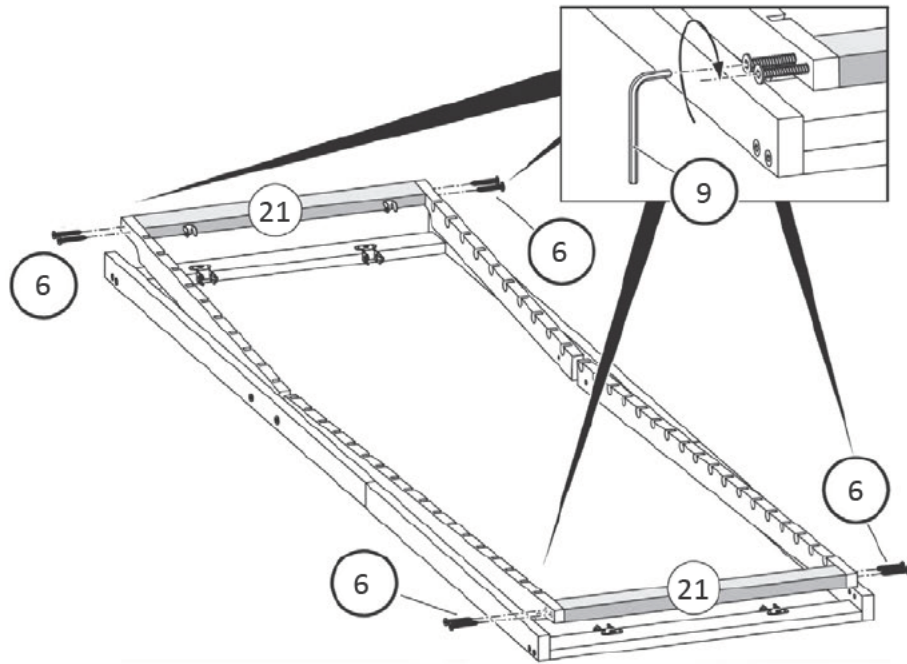
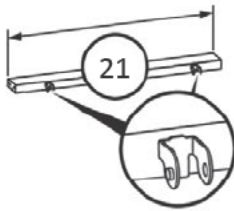
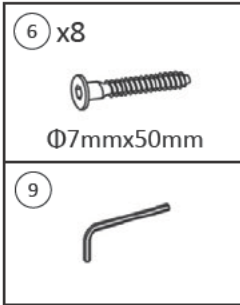
C x1



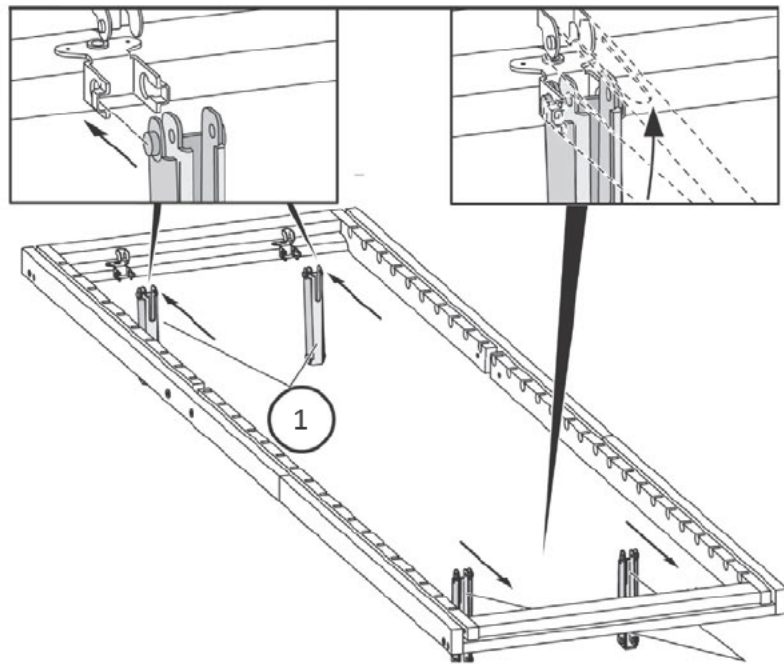
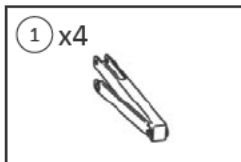
D x1



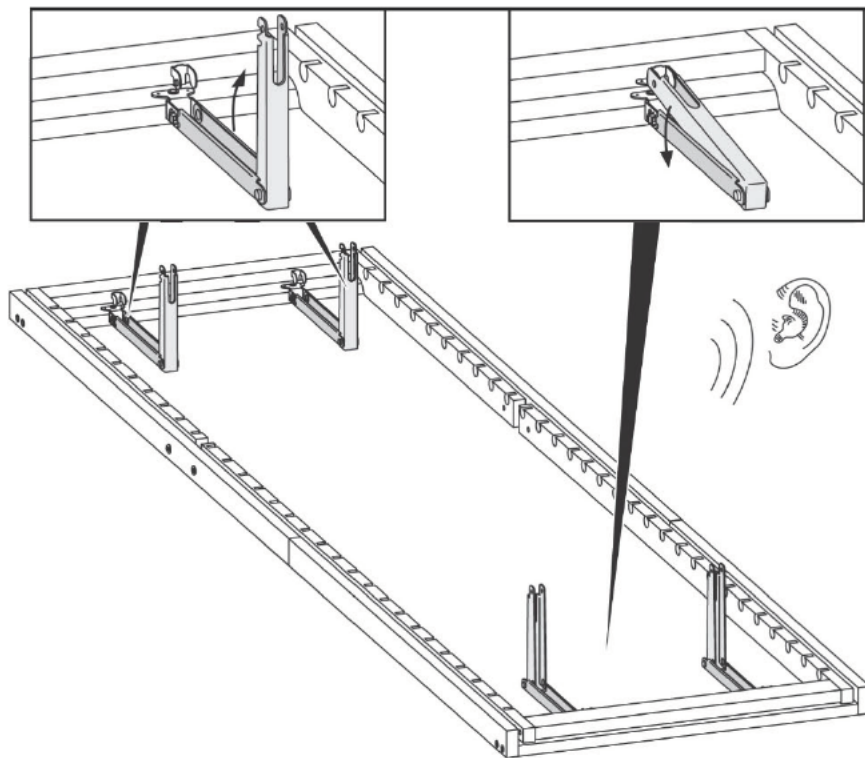
E x1



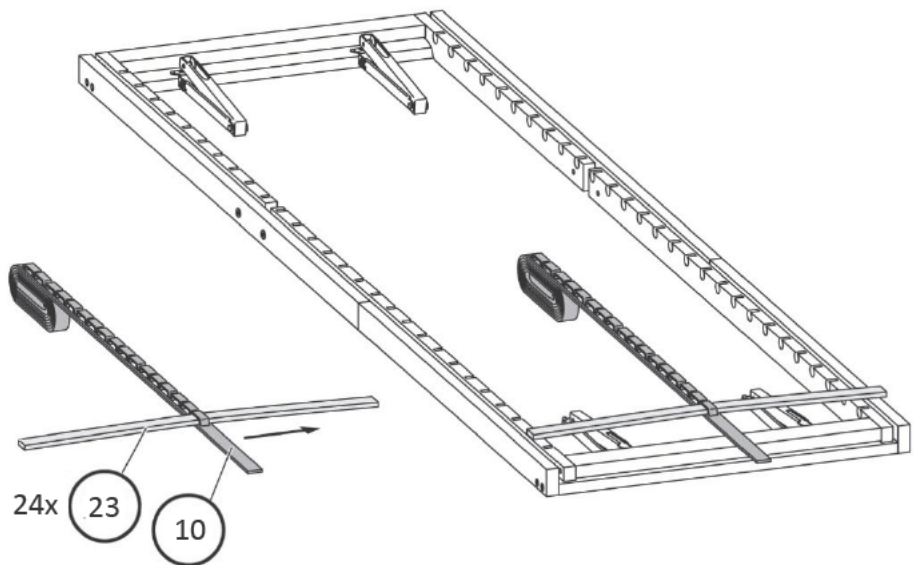
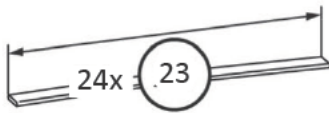
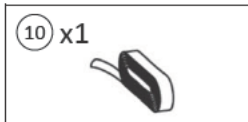
F x1



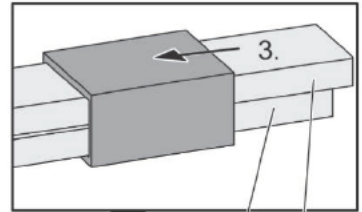
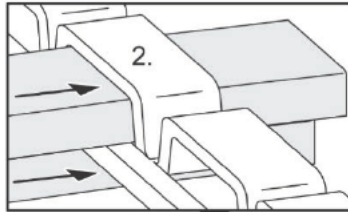
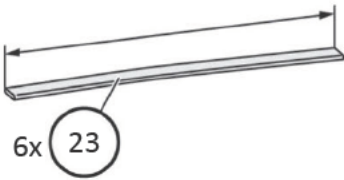
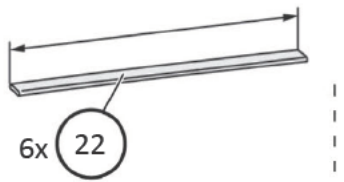
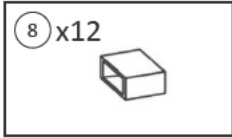
G x4



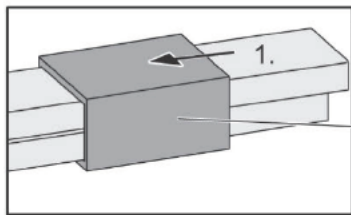
H x24



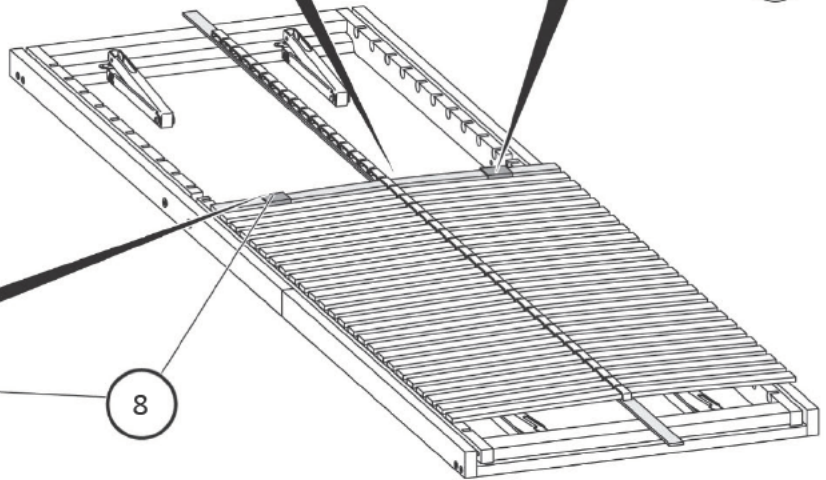
1 x6



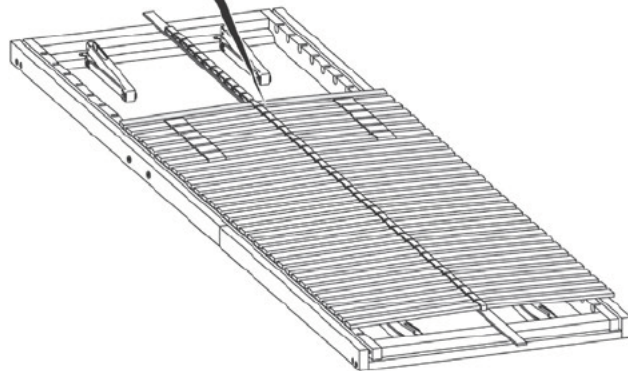
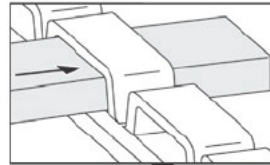
11 10



8



J x12

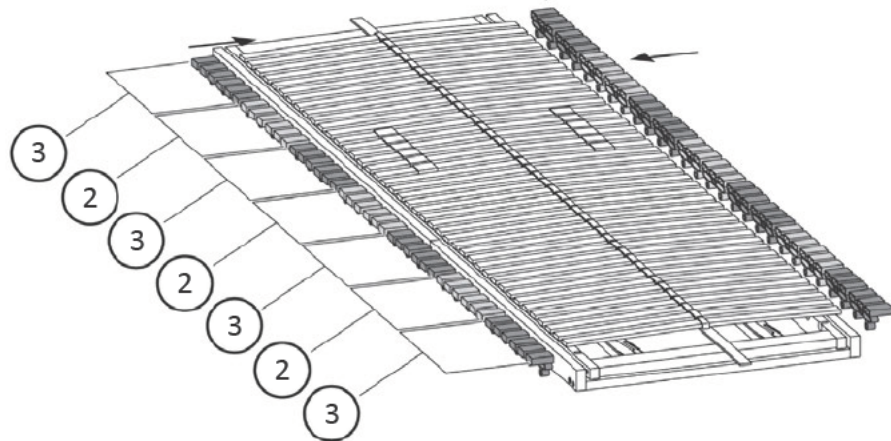
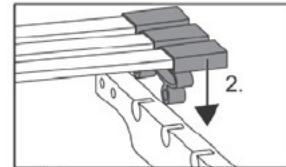
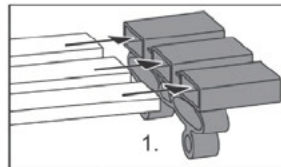


K x28

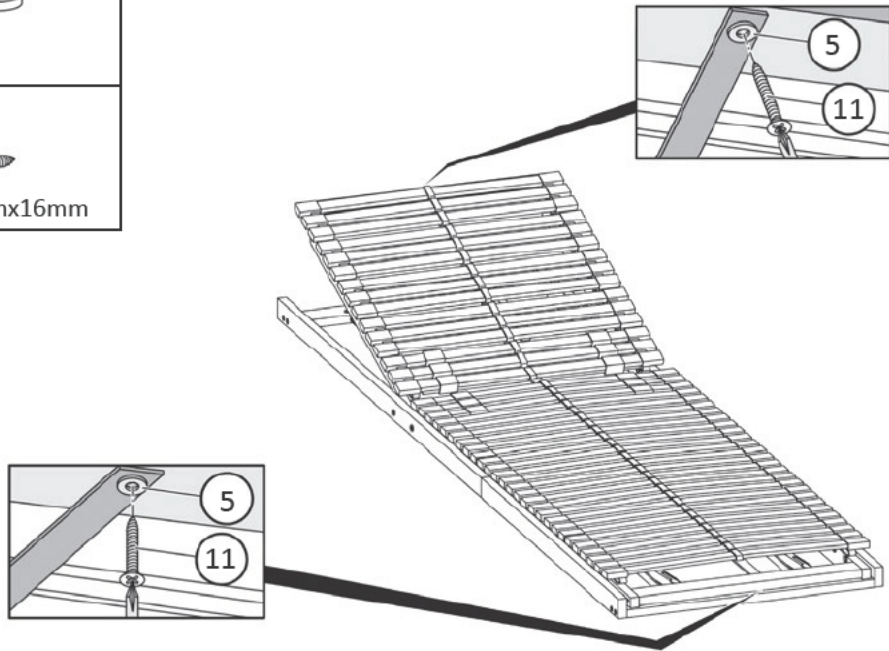
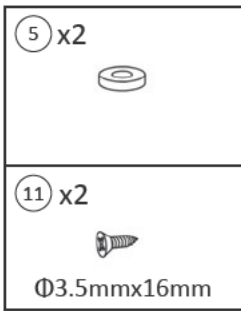
2 x12



3 x16



L x2



M x12

