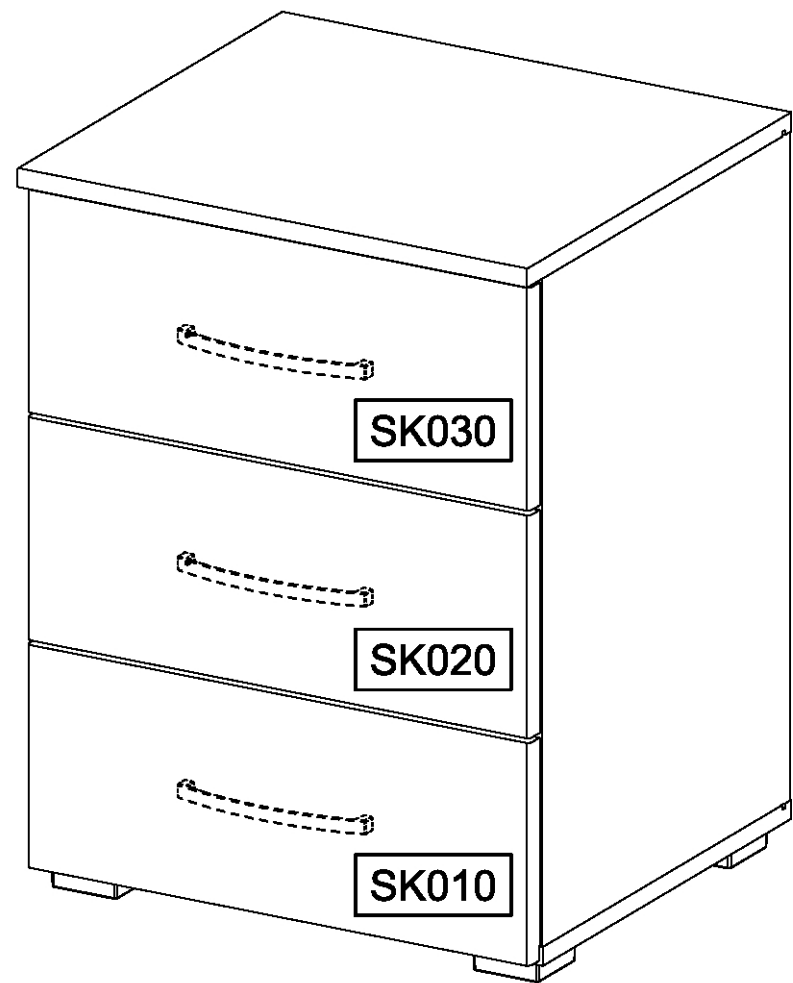
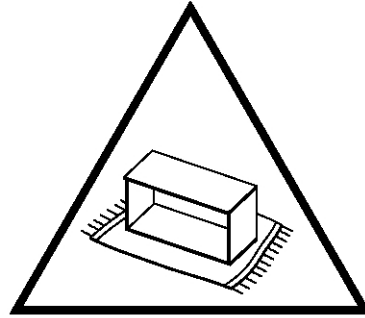
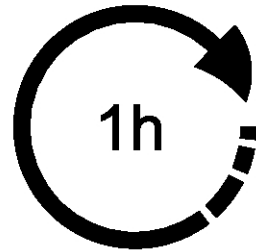
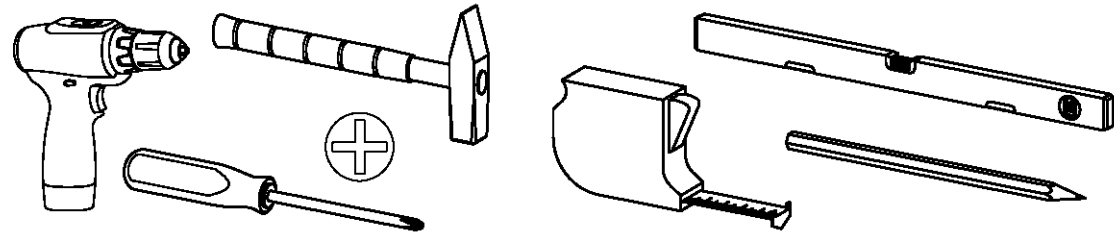


M2605_01

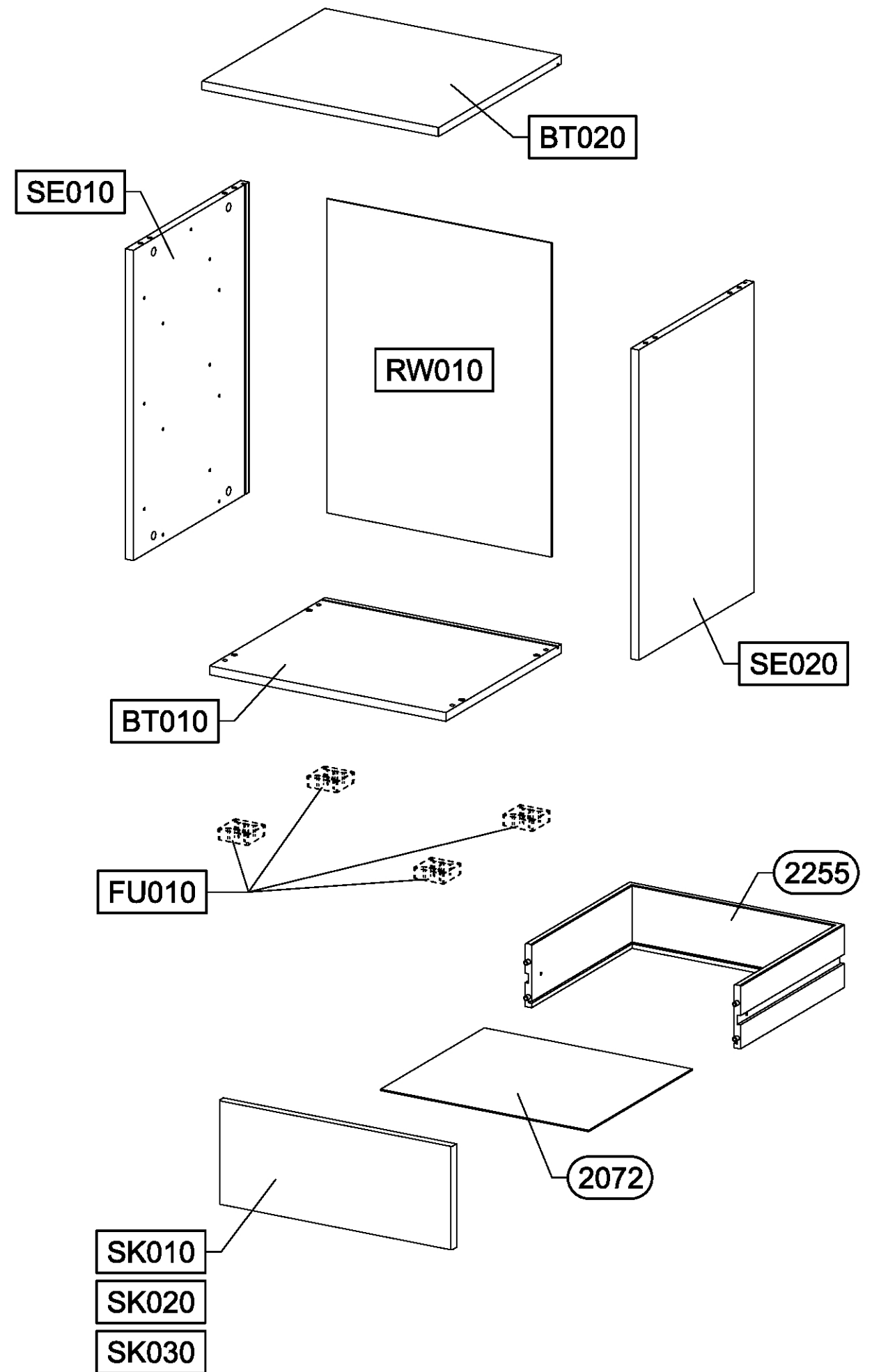
rauch



SK030

SK020

SK010



BT020

SE010

RW010

SE020

BT010

FU010

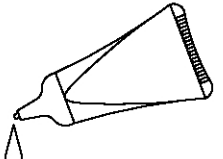
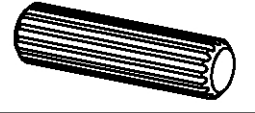



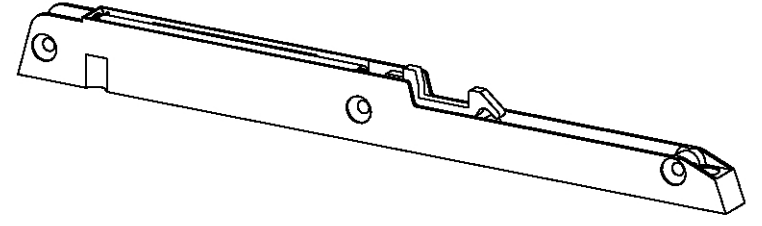


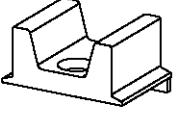
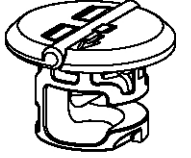
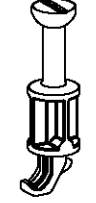
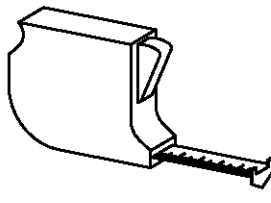
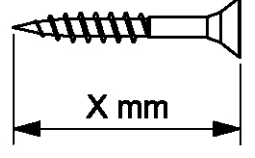
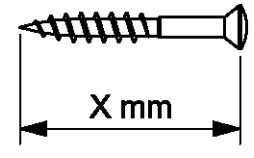
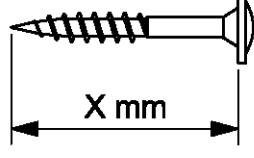
2255

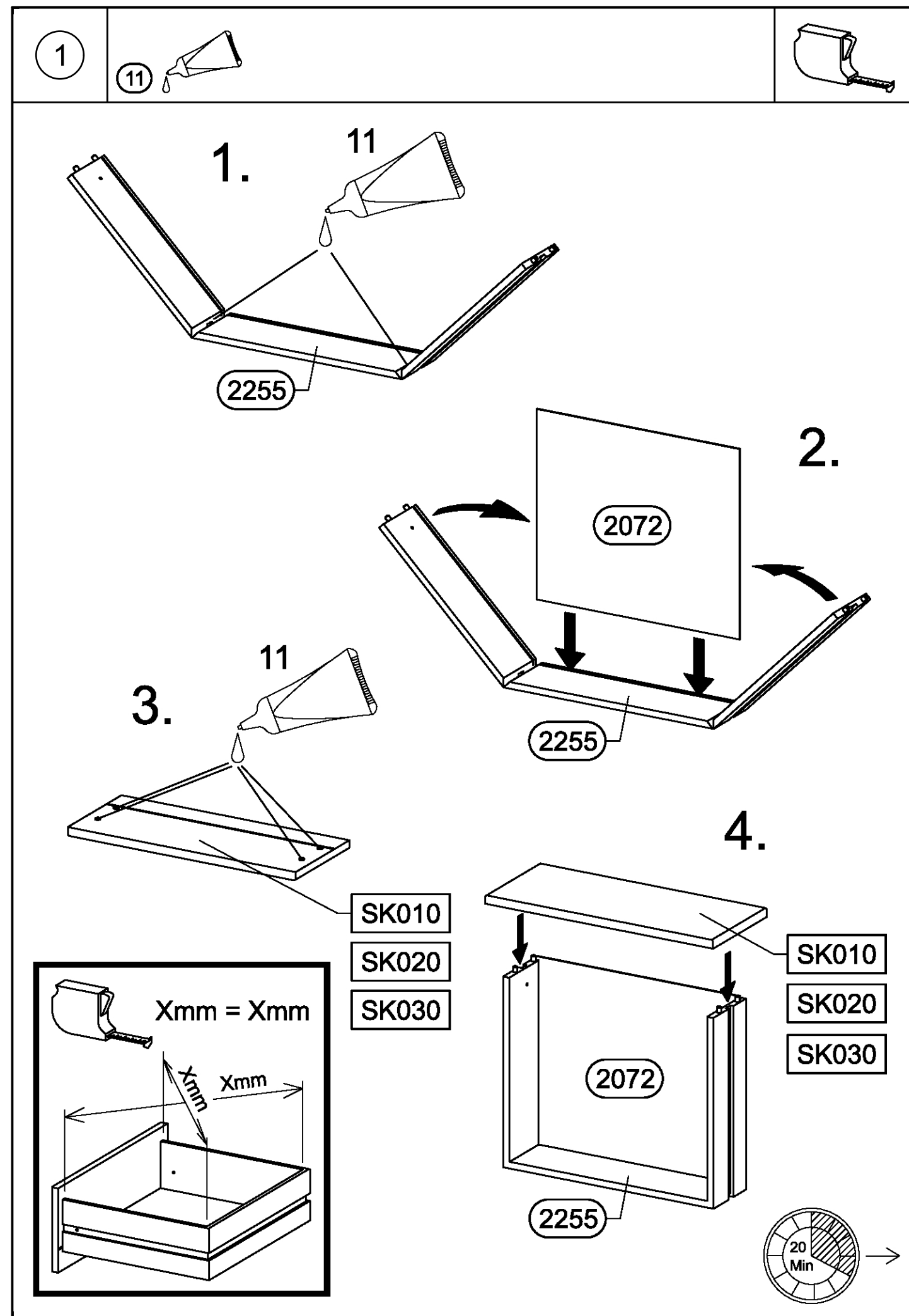
2072

SK010

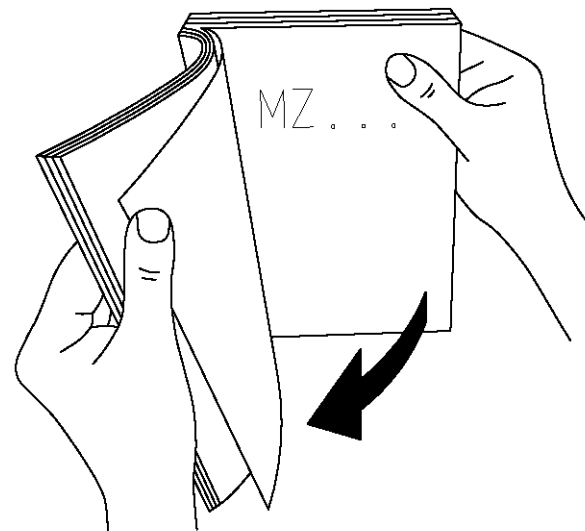
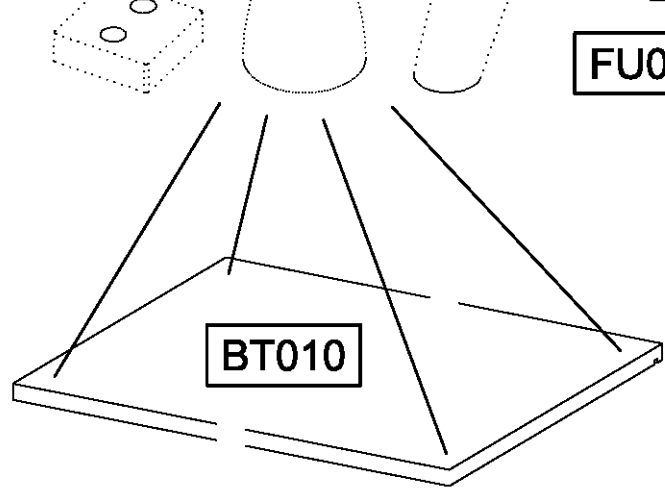
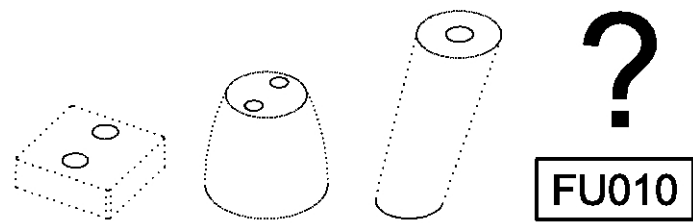
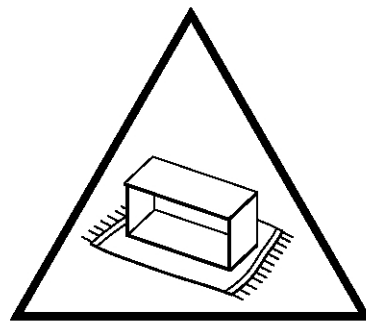
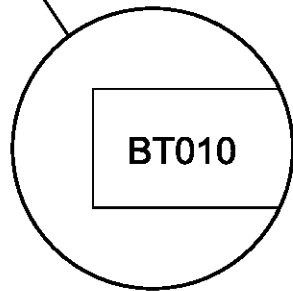
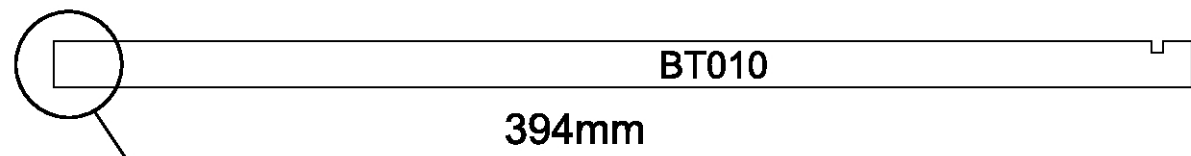
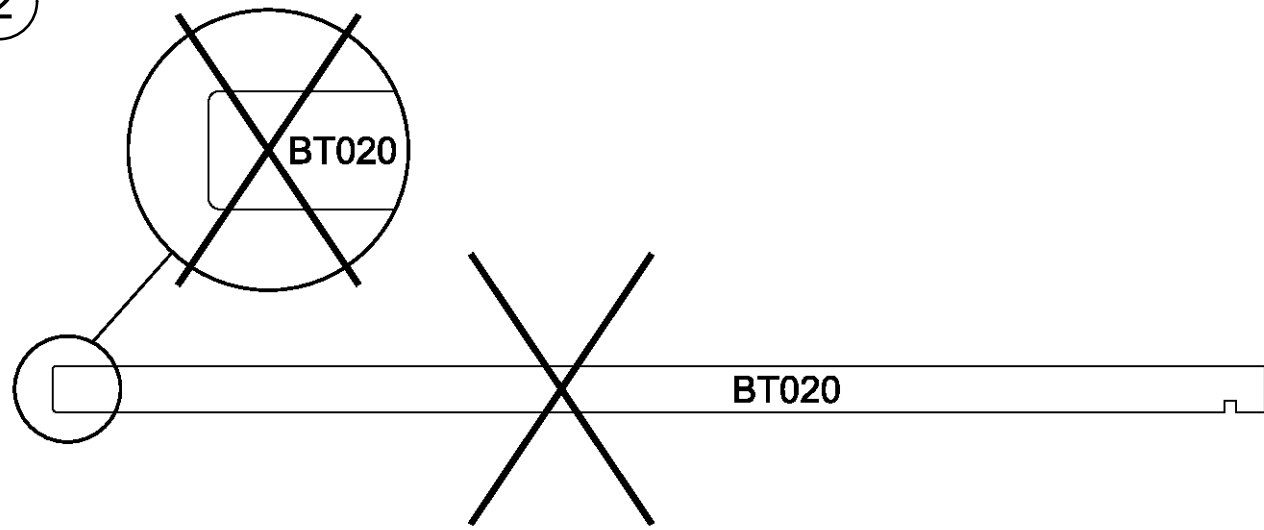
SK020

SK030

11 	8x 18 	12x 227 
6x 251 		
6x 568 	6x 1000 	
24x 1002 	12x 1003 	4x 1090 
6x 1187 	8x 1188 	8x 1189 
   		

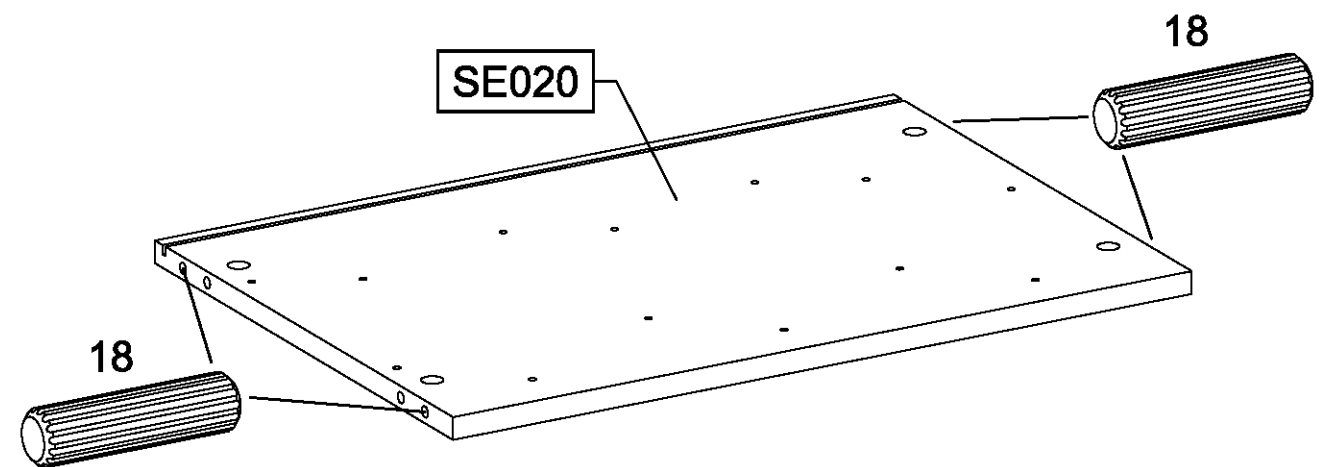
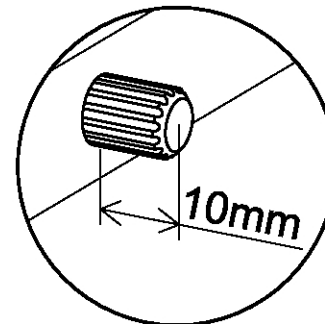
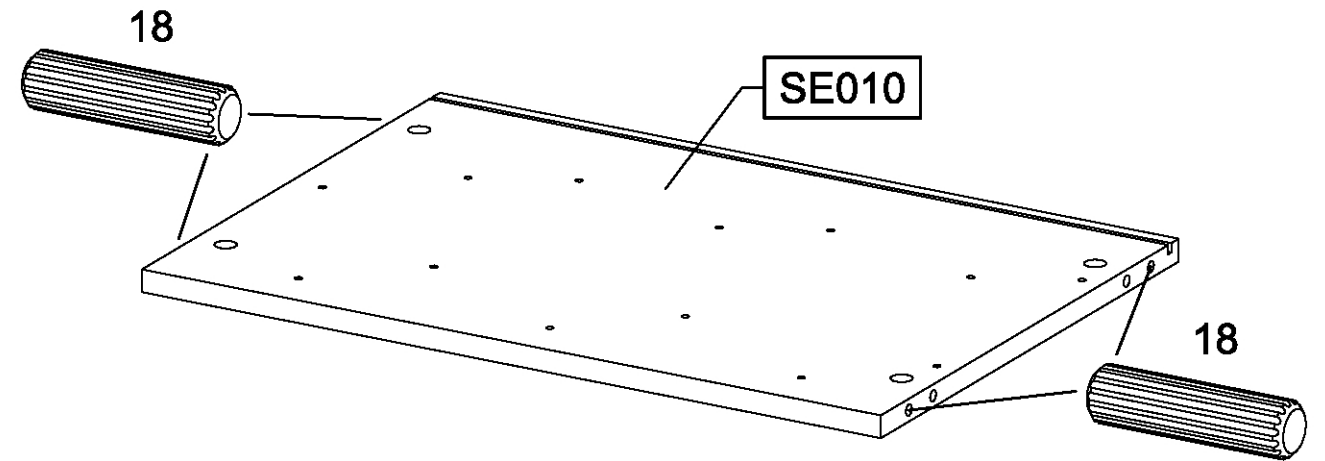
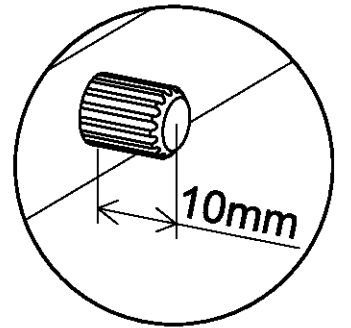


2



3

8x 18 8x30



4

8x

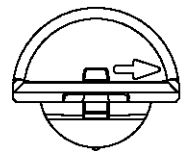
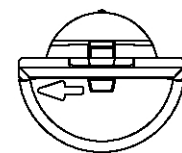
1188



1188

1188

SE010



1188

1188

SE020

5

6x

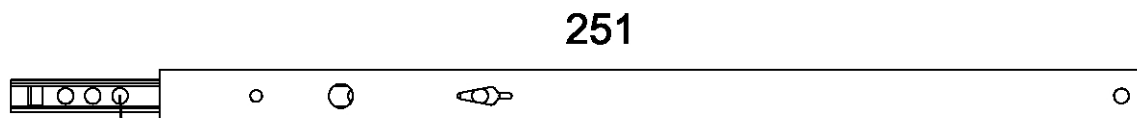
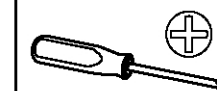
227

6x10,5

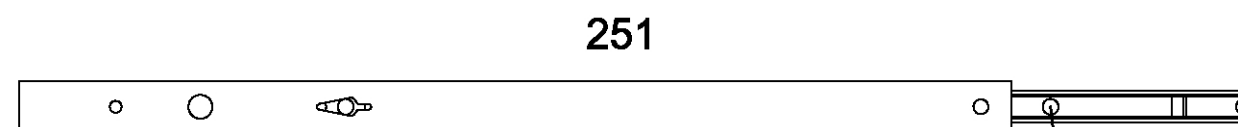
3x

251

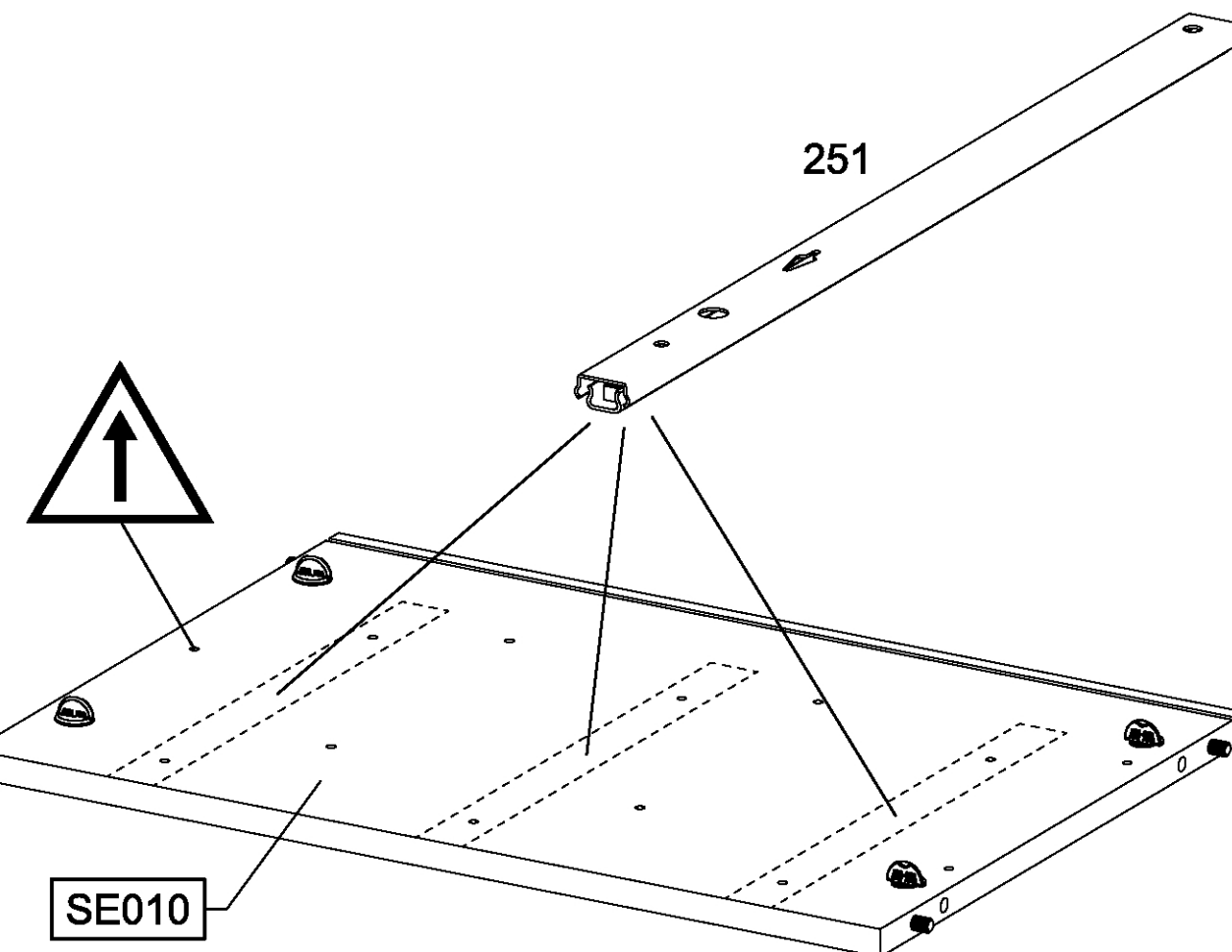
328x17x9,5



1. 227



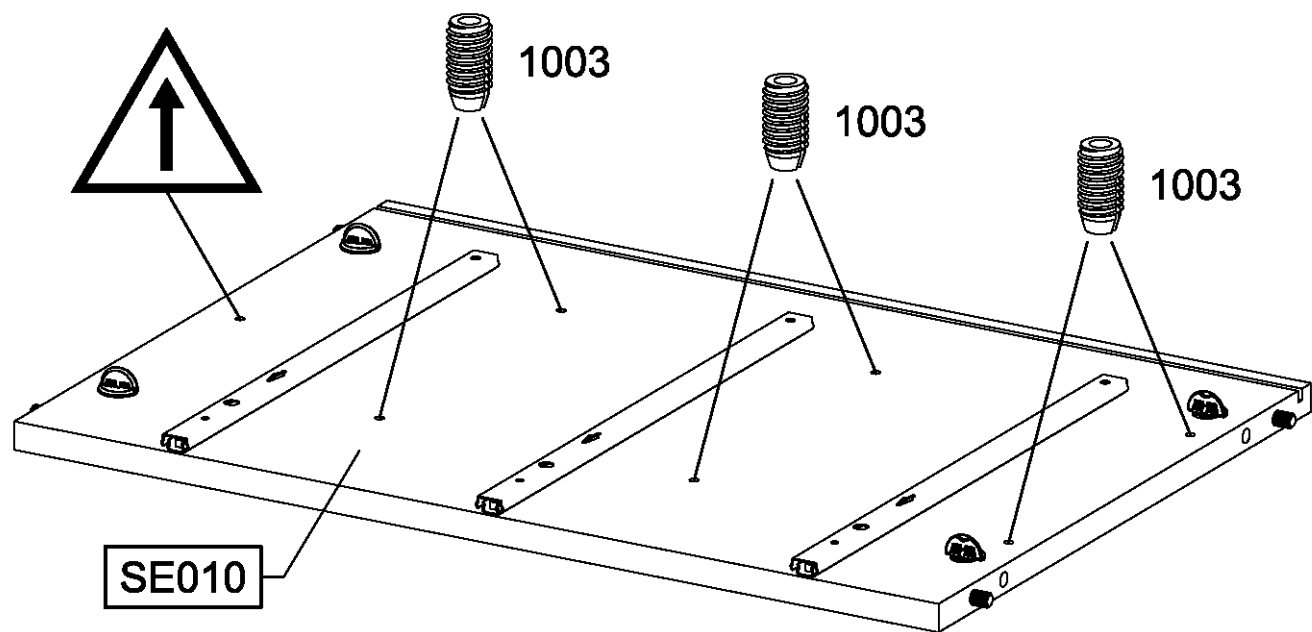
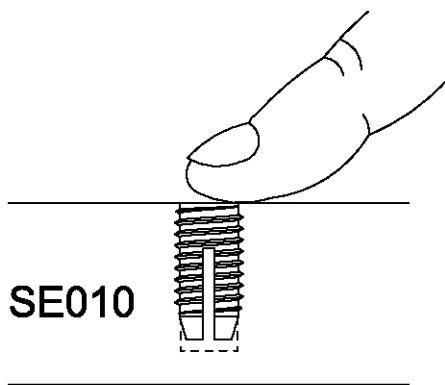
2. 227



SE010

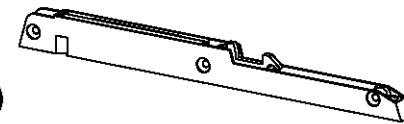
6

6x 1003 6x12

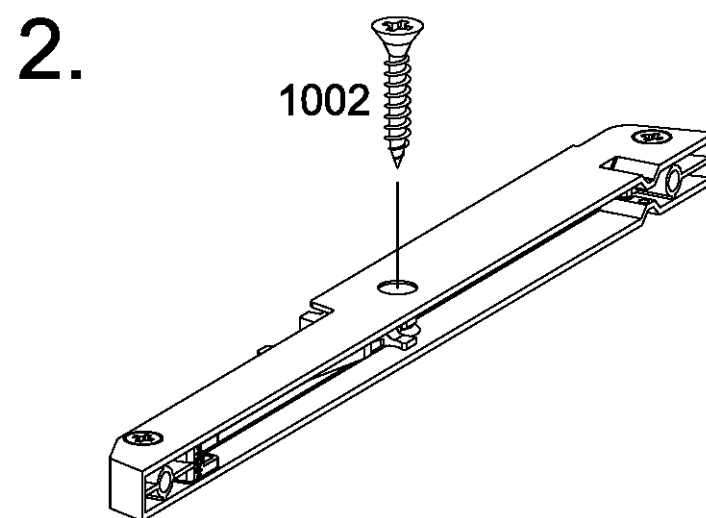
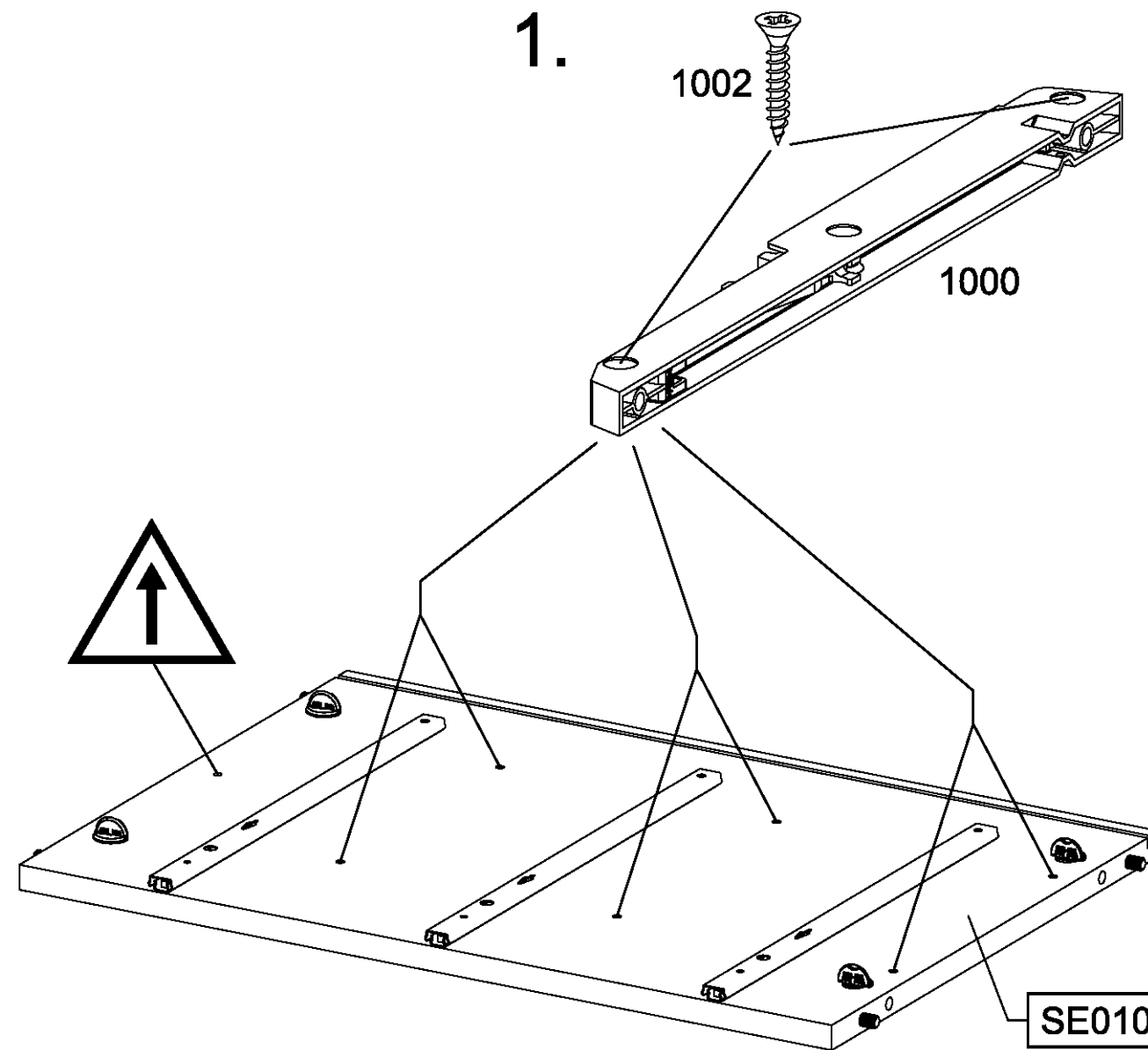
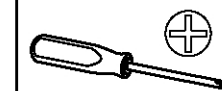


7

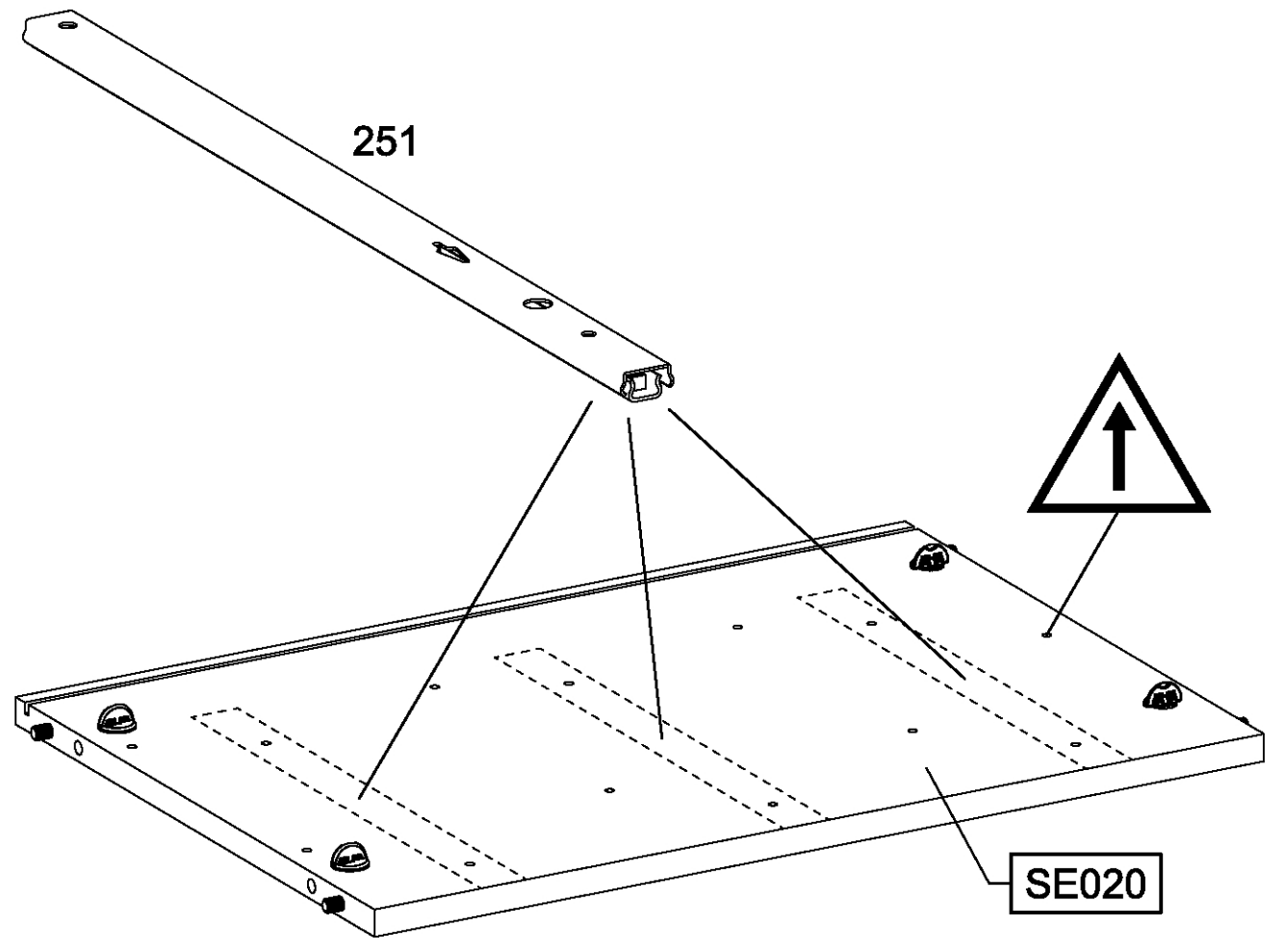
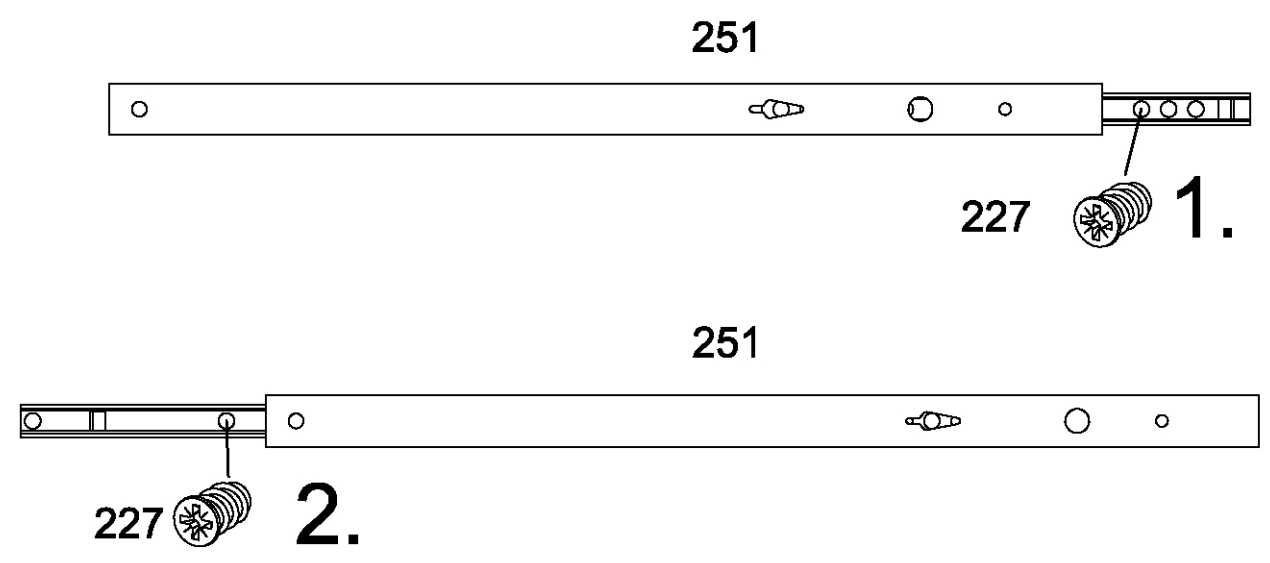
3x 1000



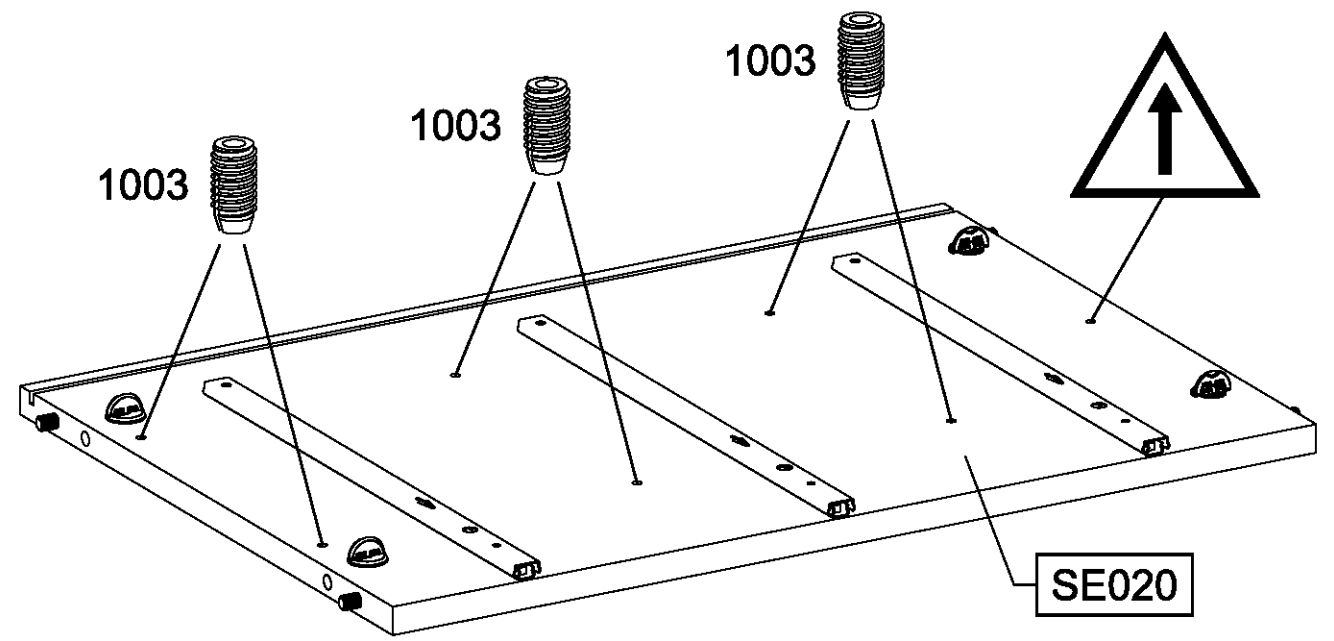
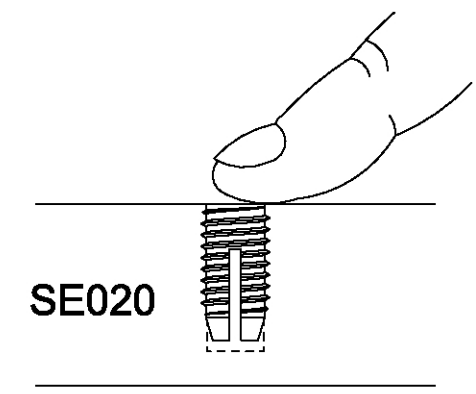
9x 1002 3,5x20



8 **6x** 227 ^{6x10,5} **3x** 251 ^{328x17x9,5}

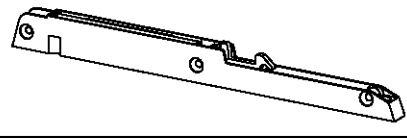


9 **6x** 1003 ^{6x12}



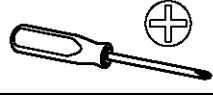
10

3x 1000

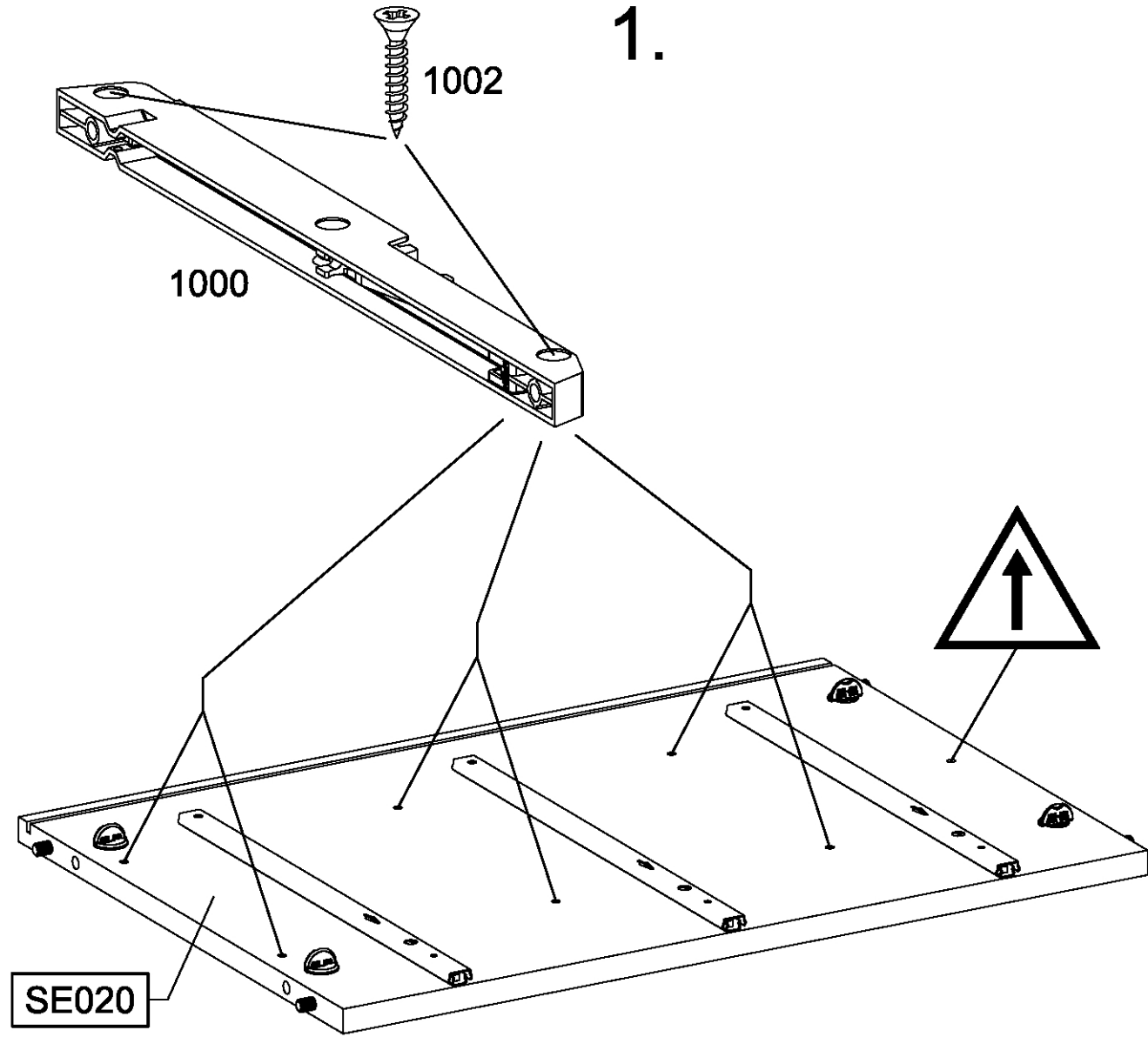


9x 1002

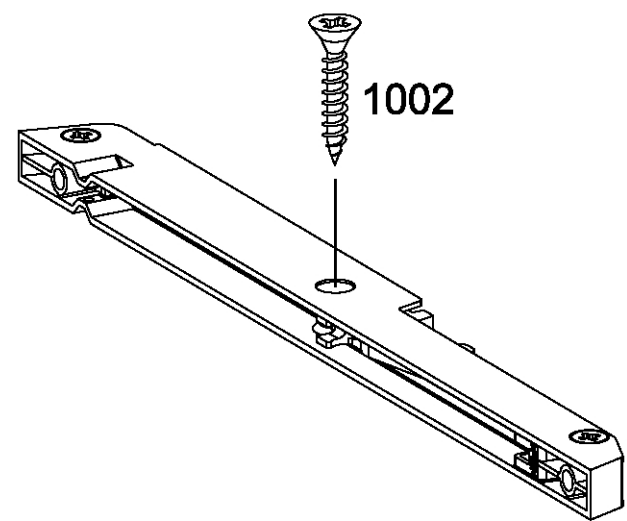
3,5x20



1.

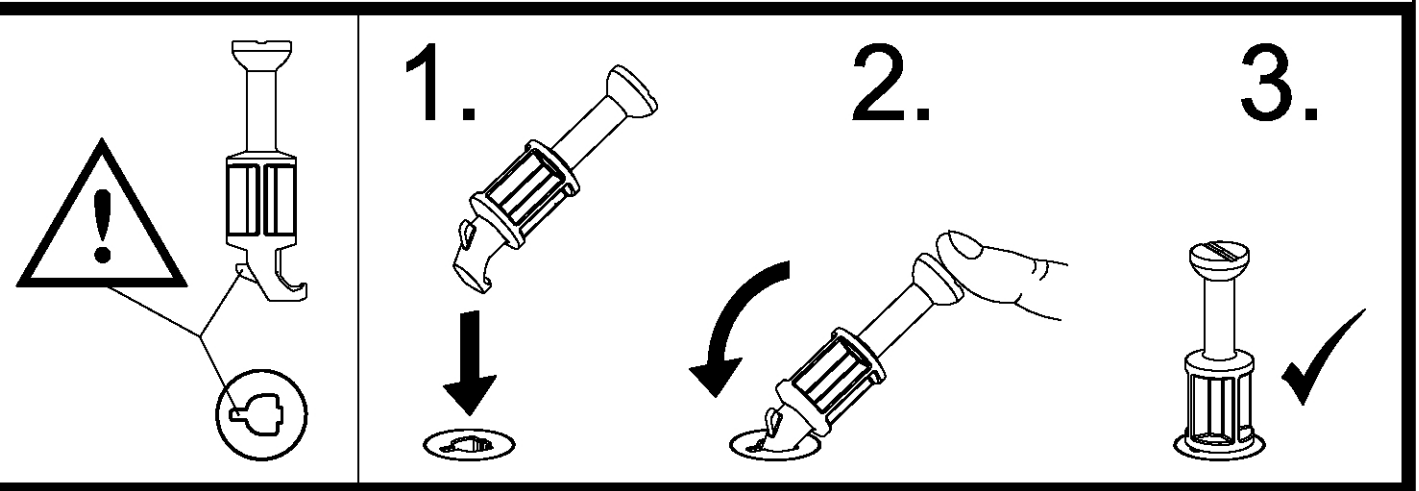
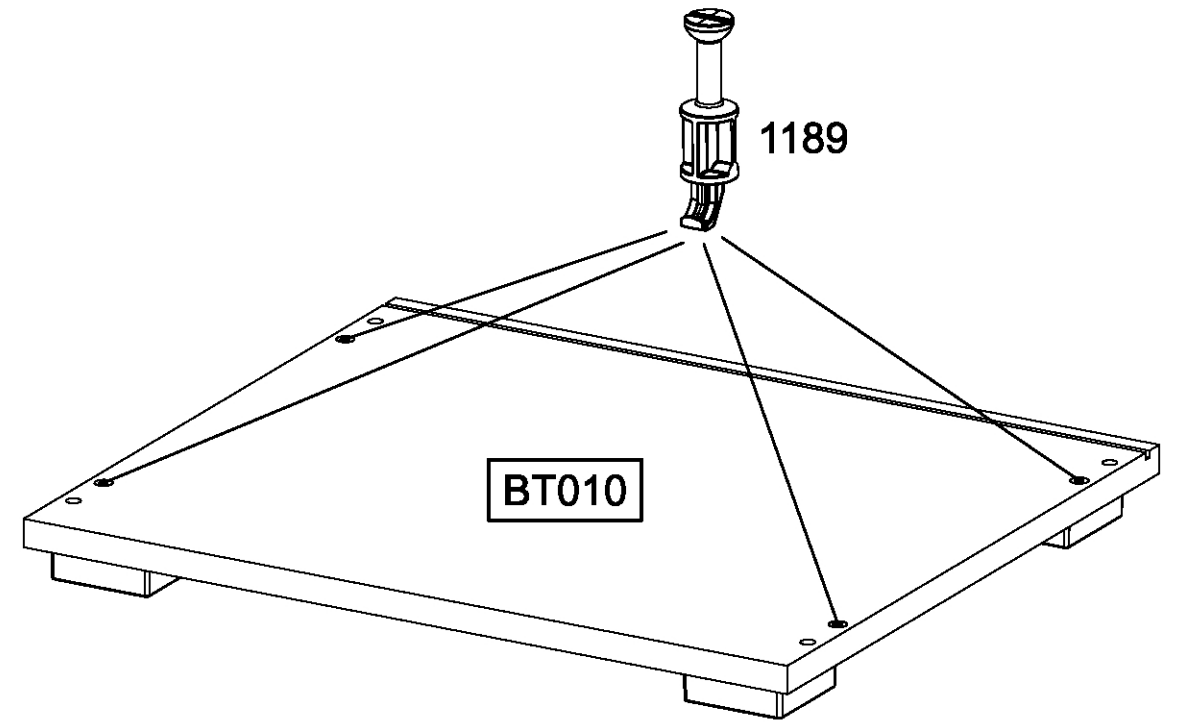
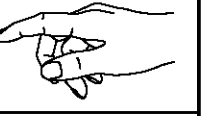


2.

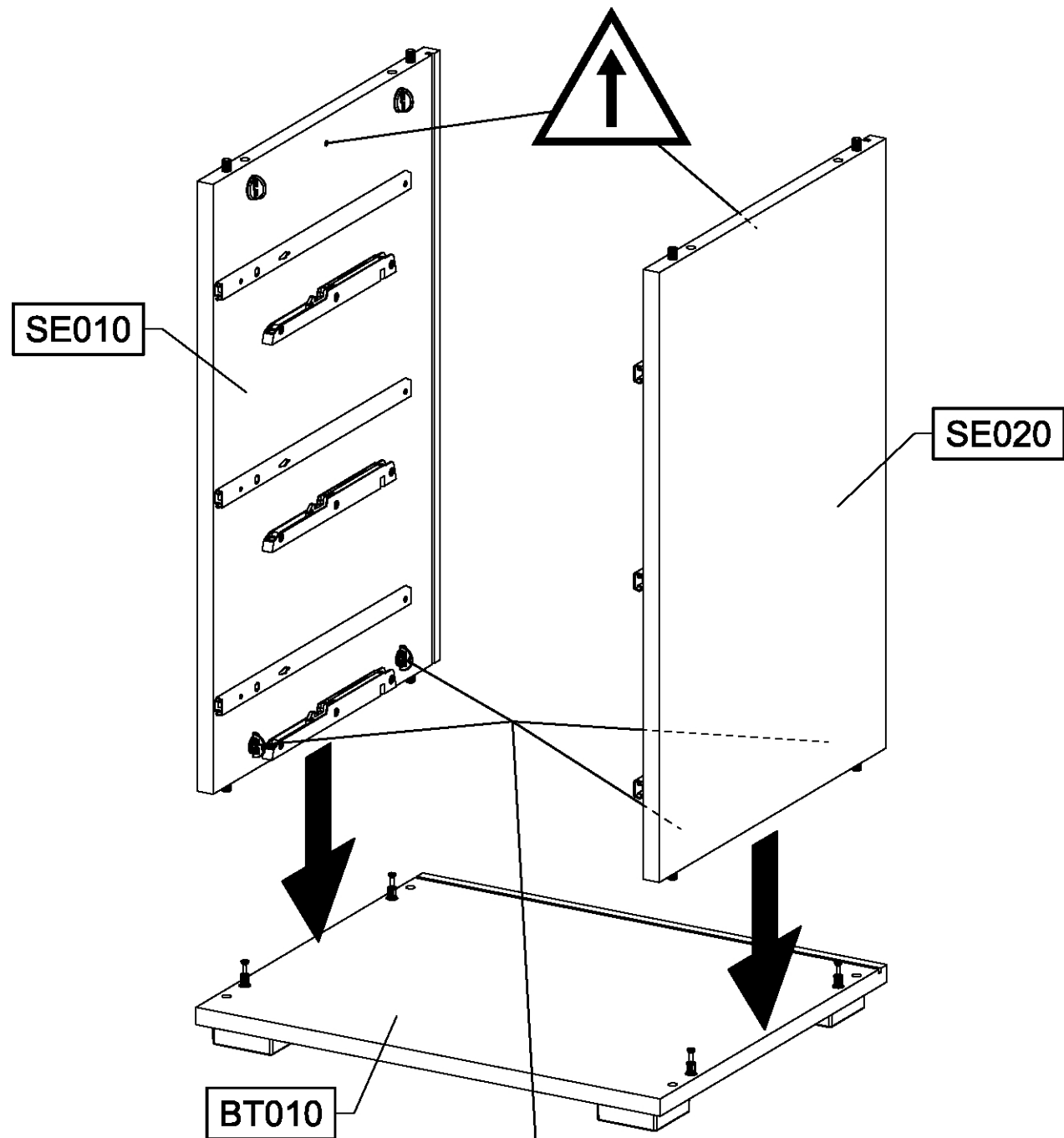


11

4x 1189

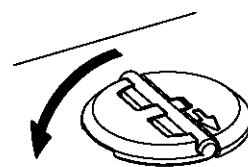
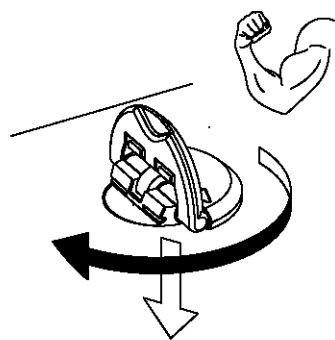


12

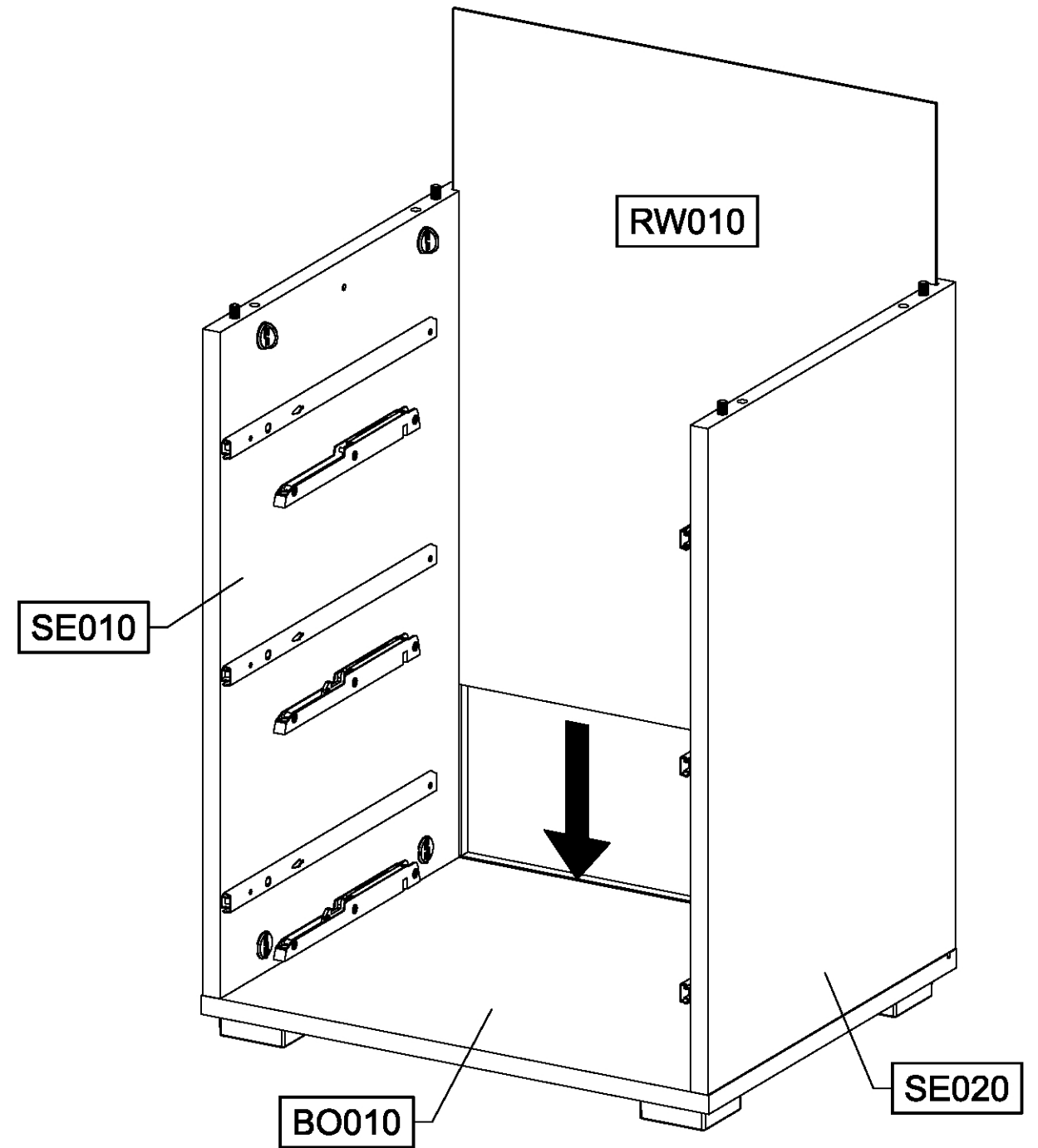


1.

2.

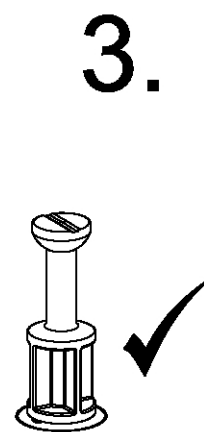
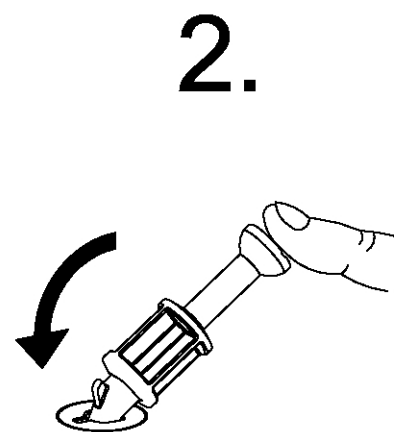
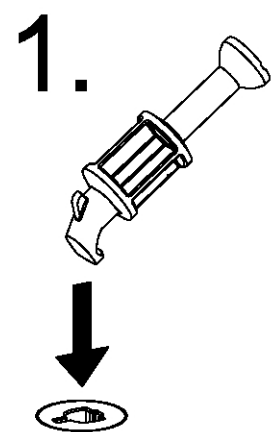
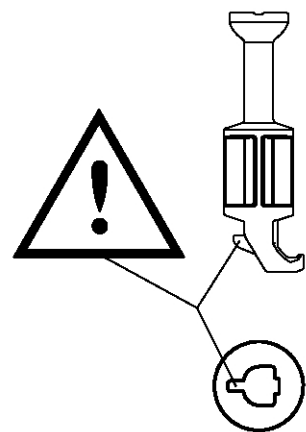
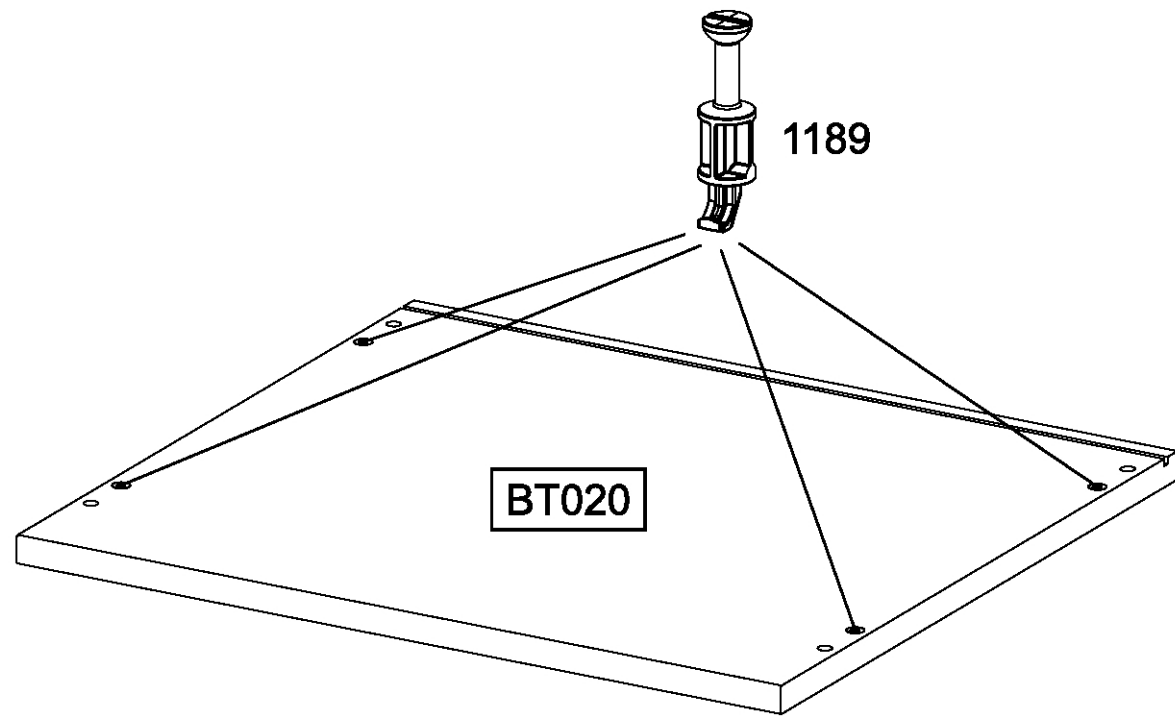


13

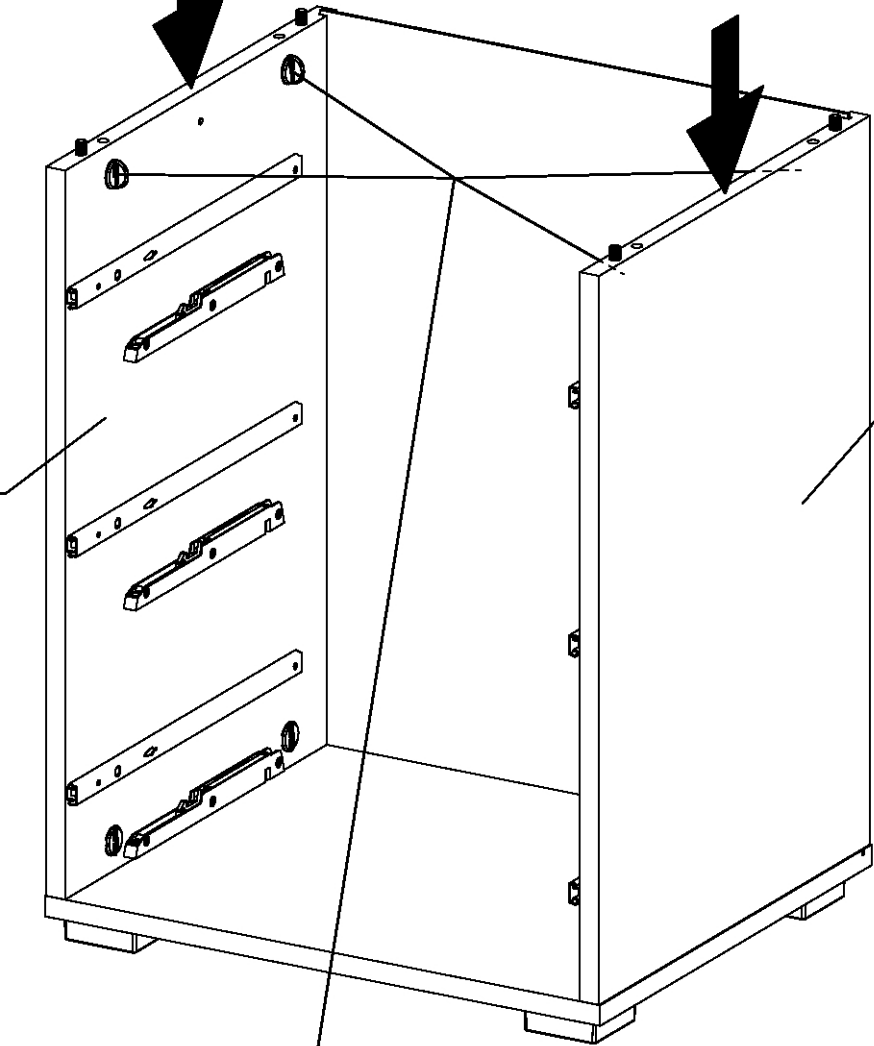
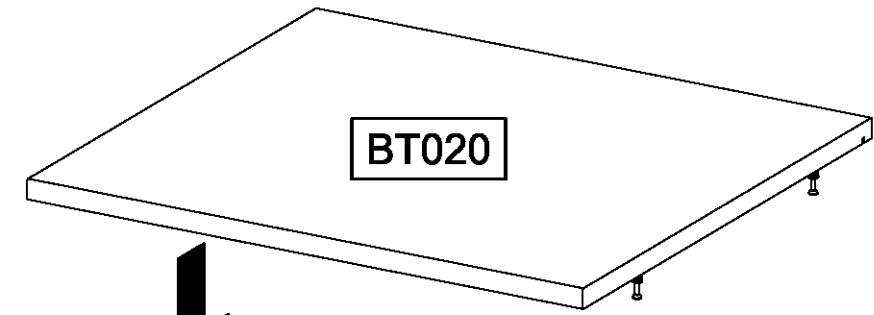


14

4x 1189

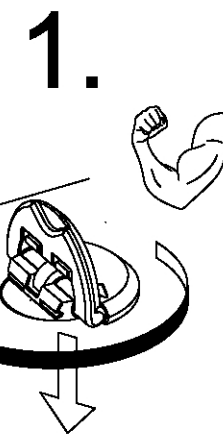


15



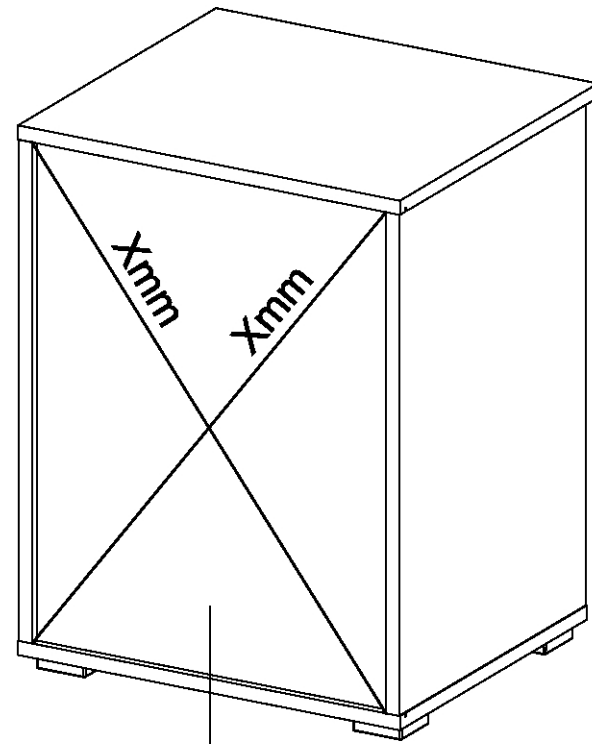
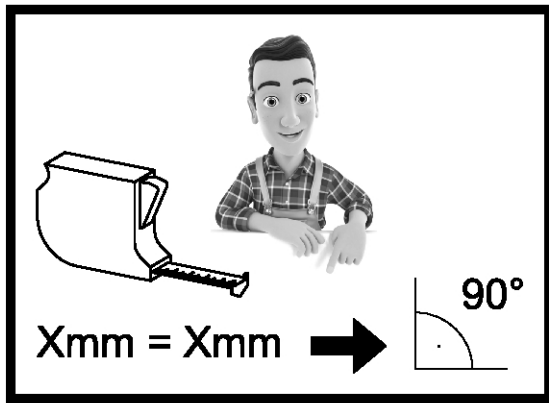
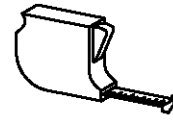
SE010

SE020

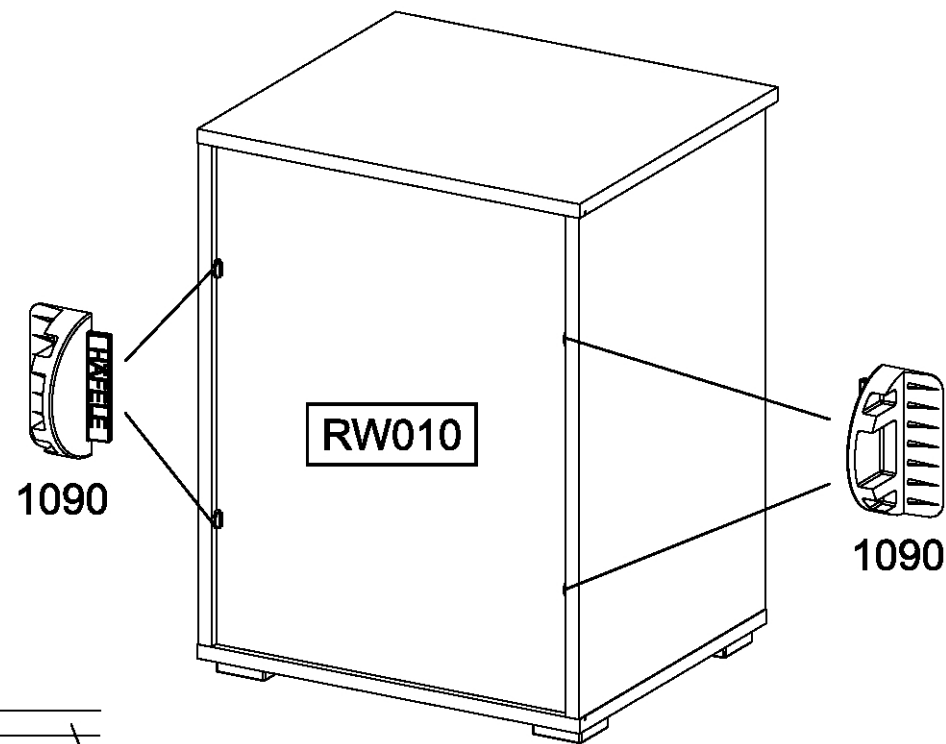
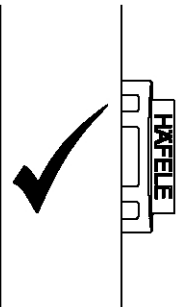
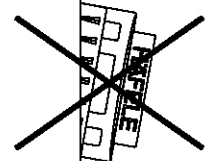


16

4x 1090



RW010



1090

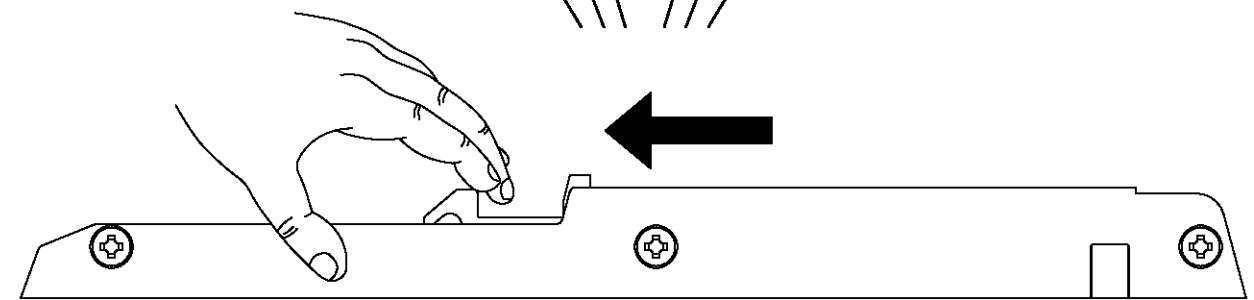
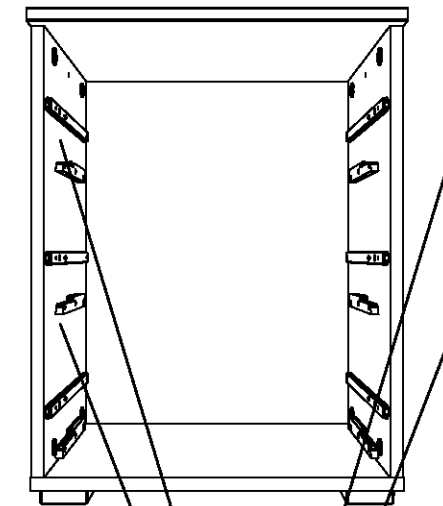
1090

SE010
SE020

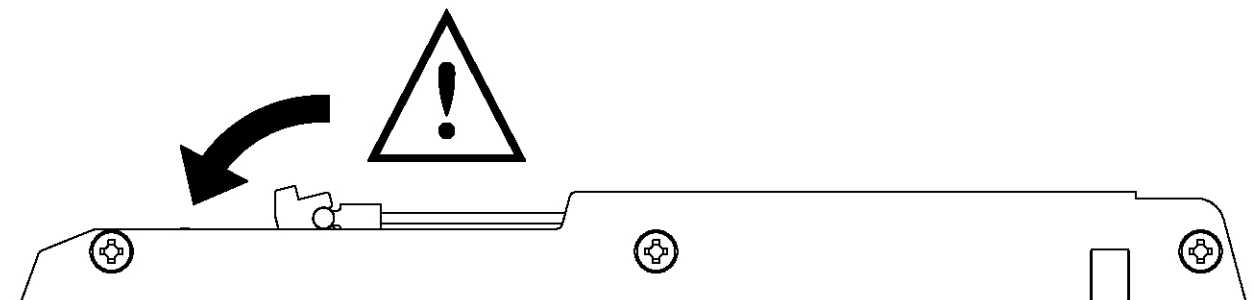
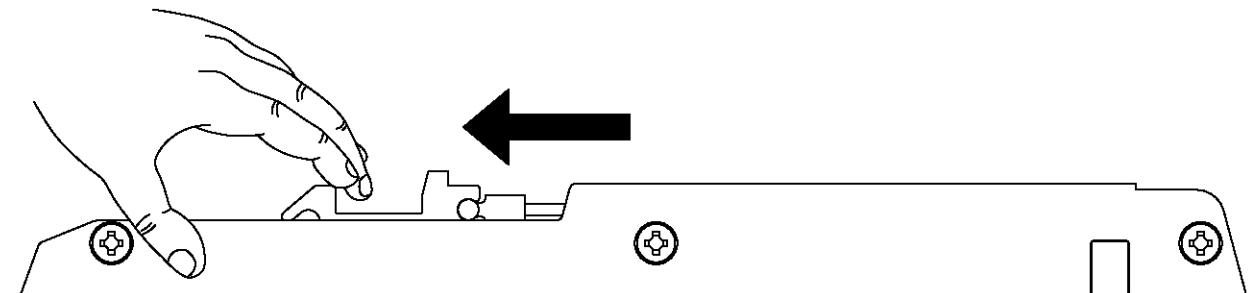
RW010

1090

17



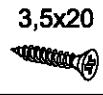
1000



18

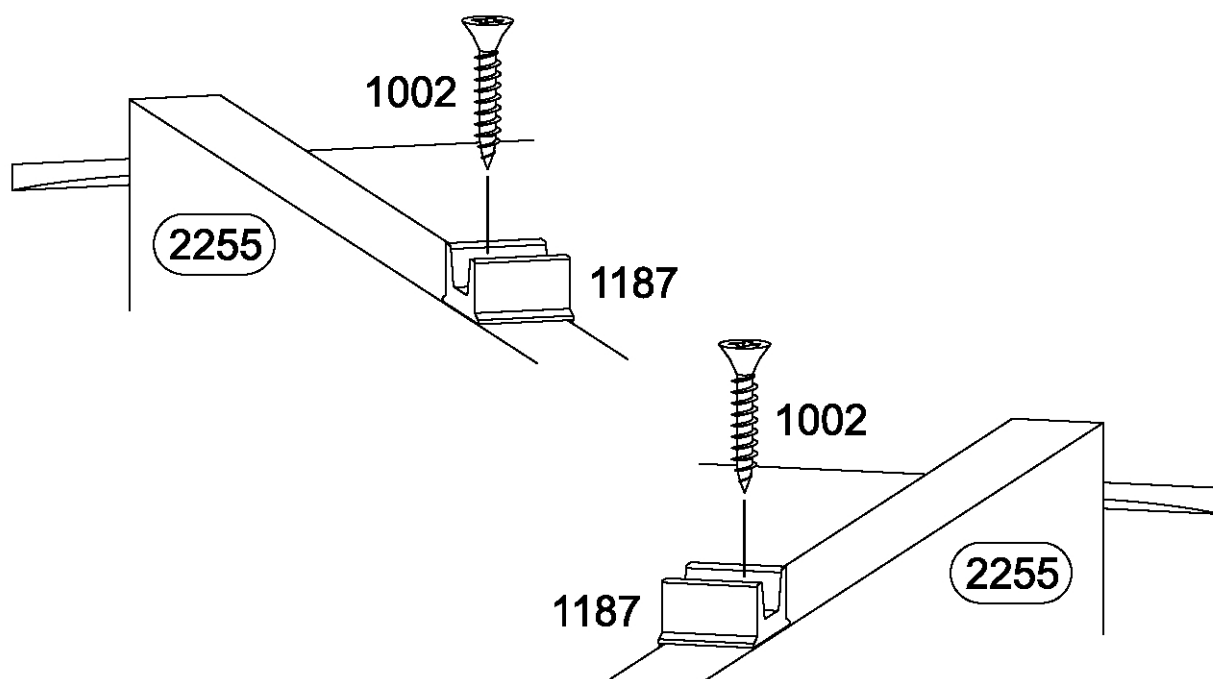
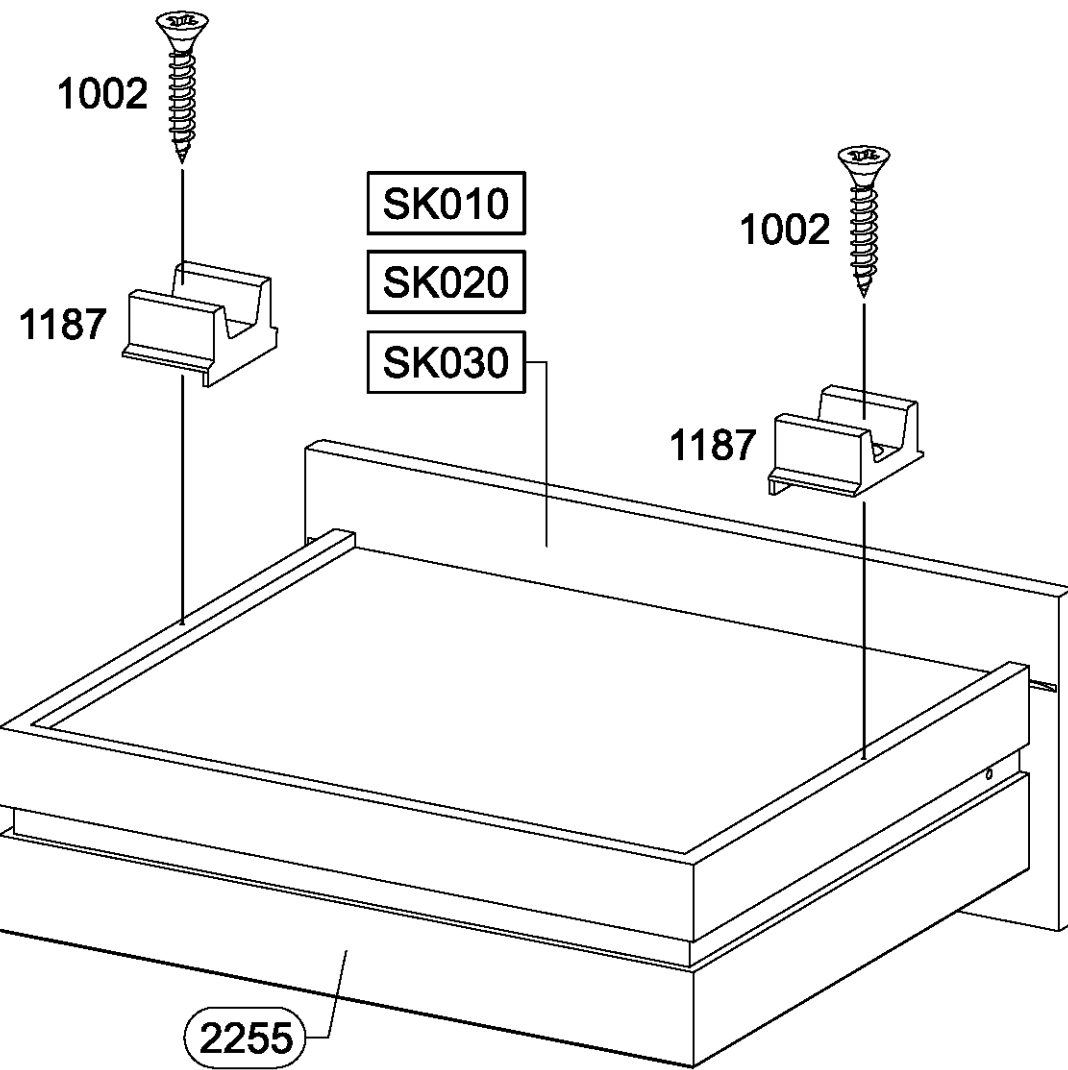
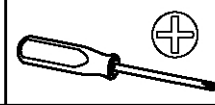
6x

1002



6x

1187

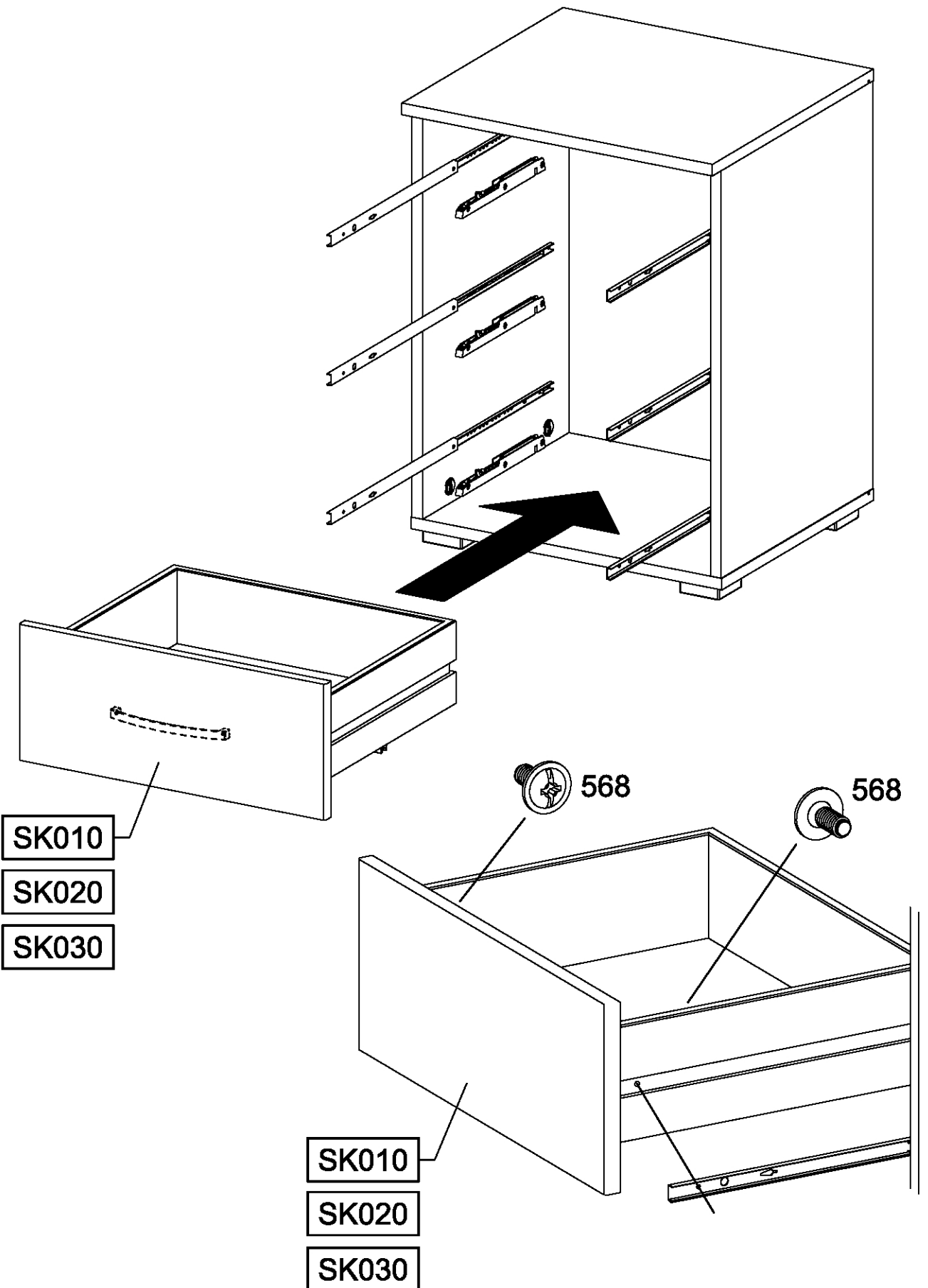
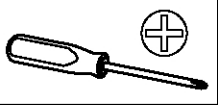


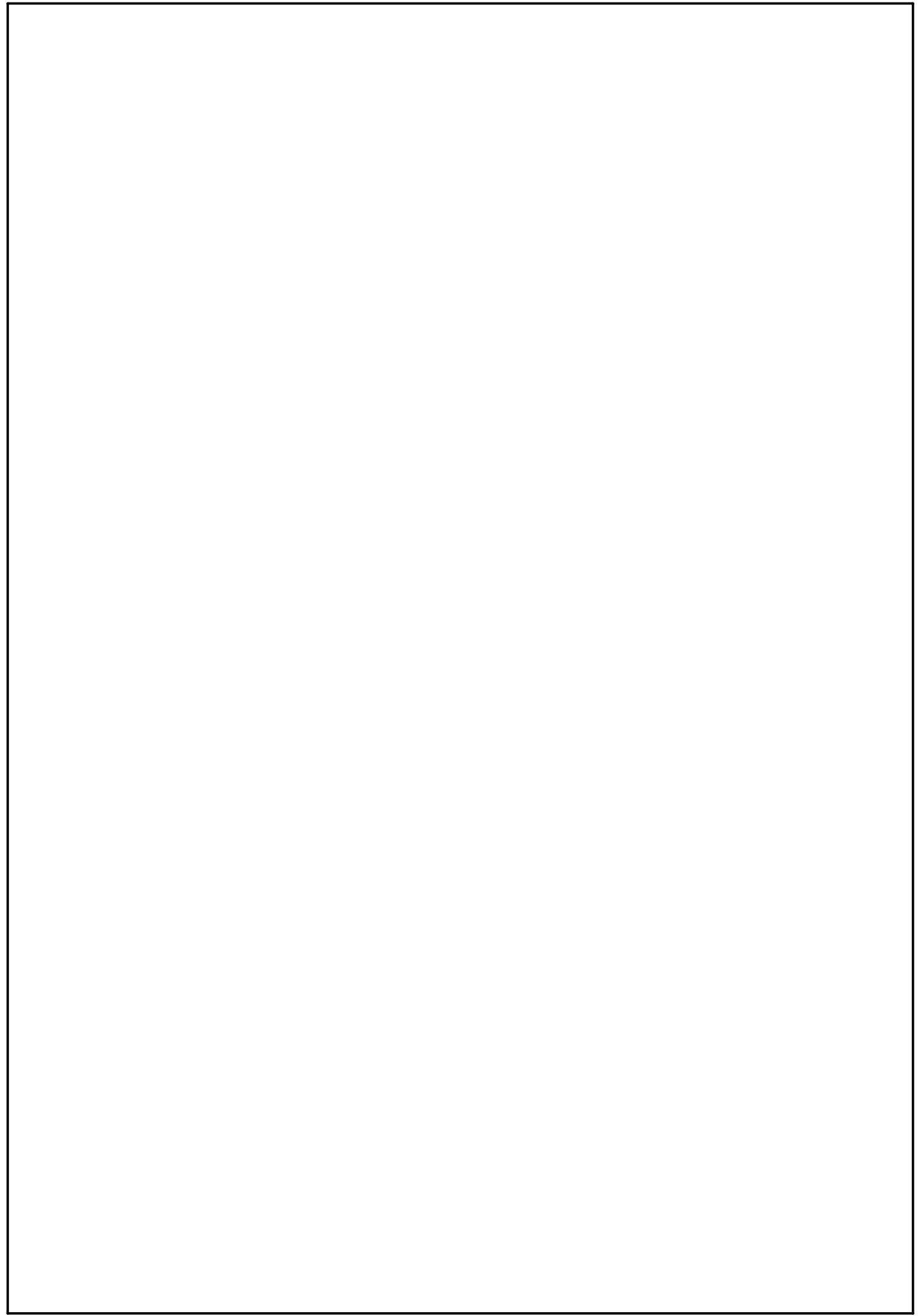
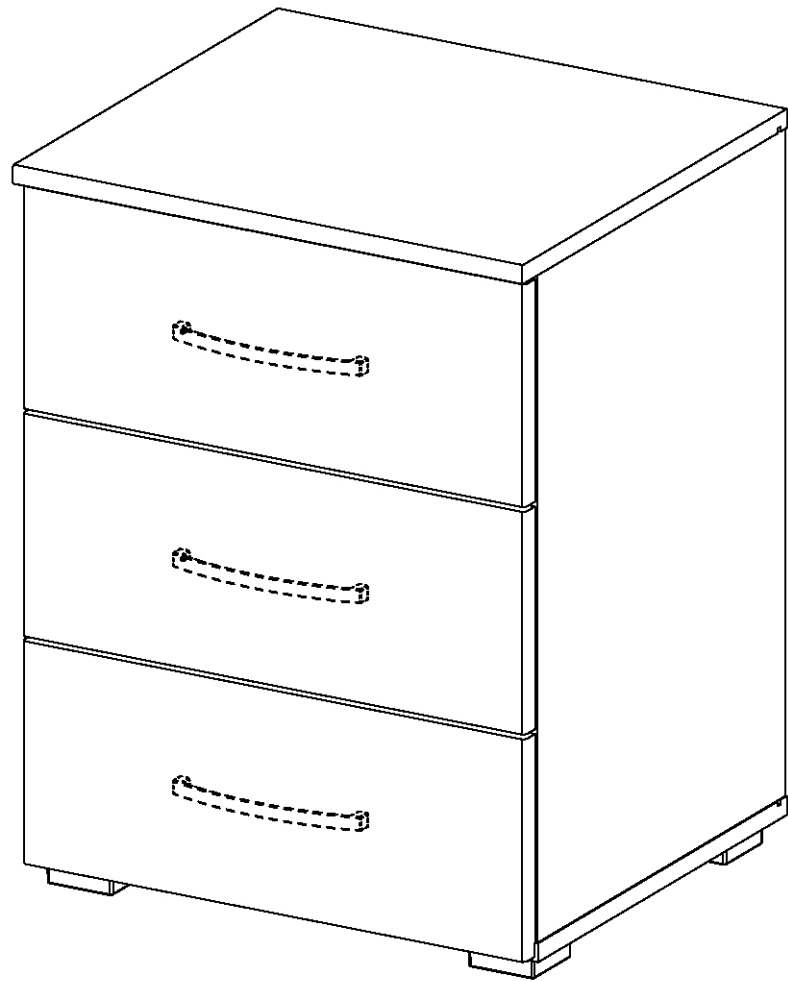
19

6x

568

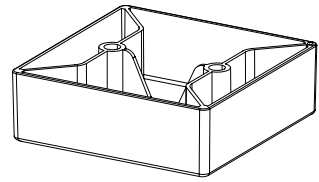
M4x9





MZ044_02

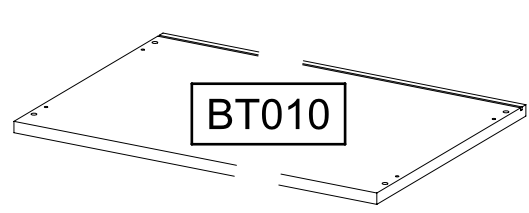
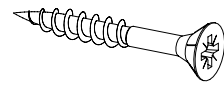
rauch



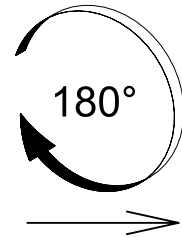
FU010

4x30

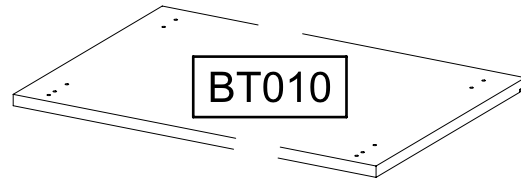
213



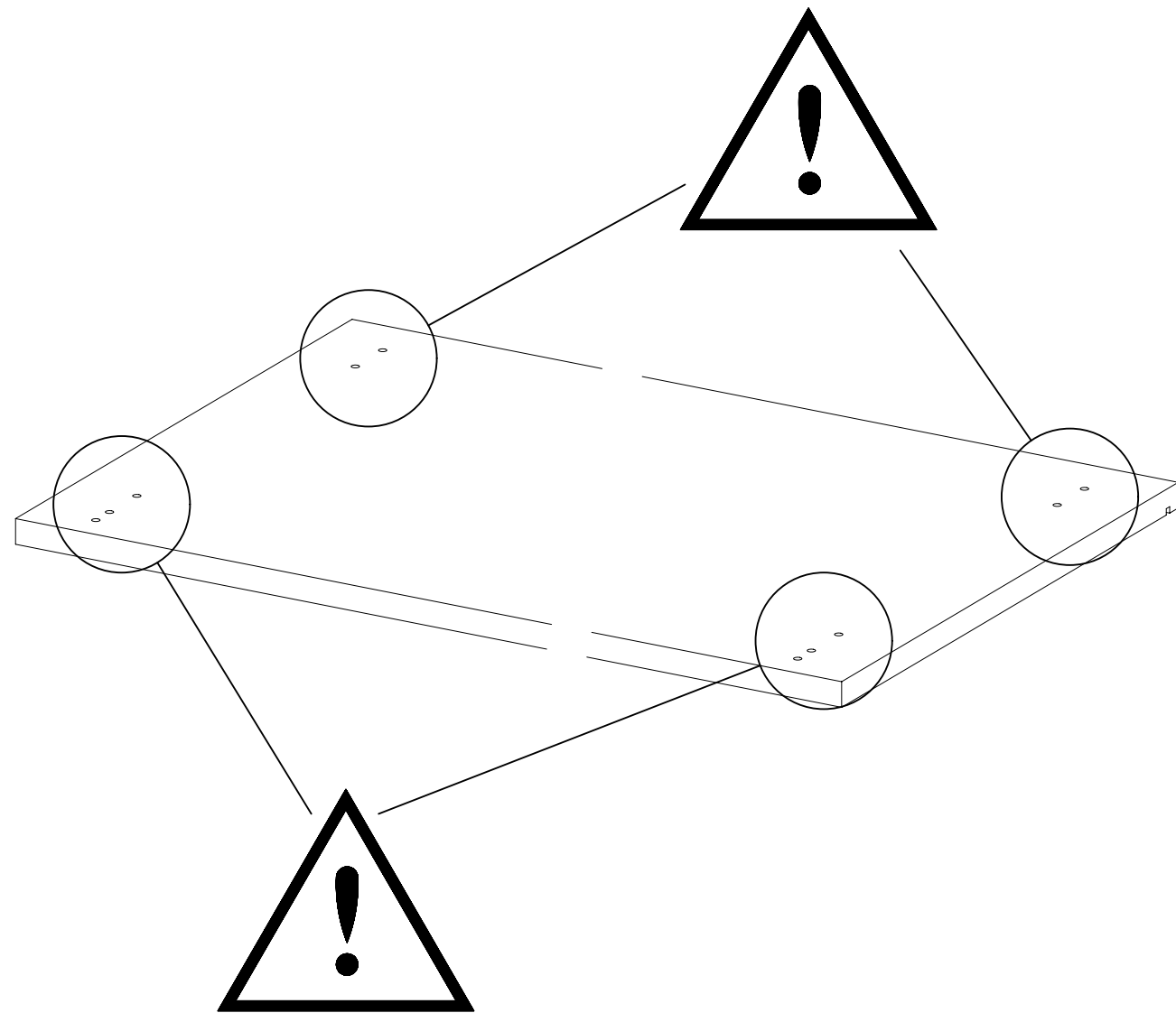
BT010



180°



BT010

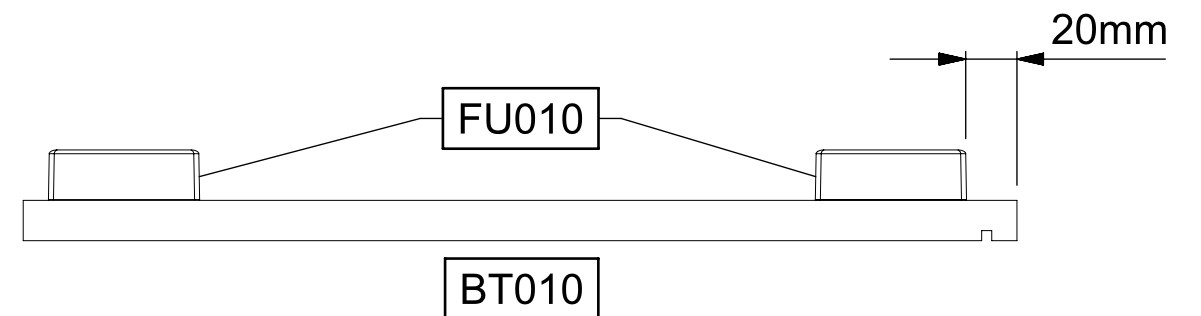
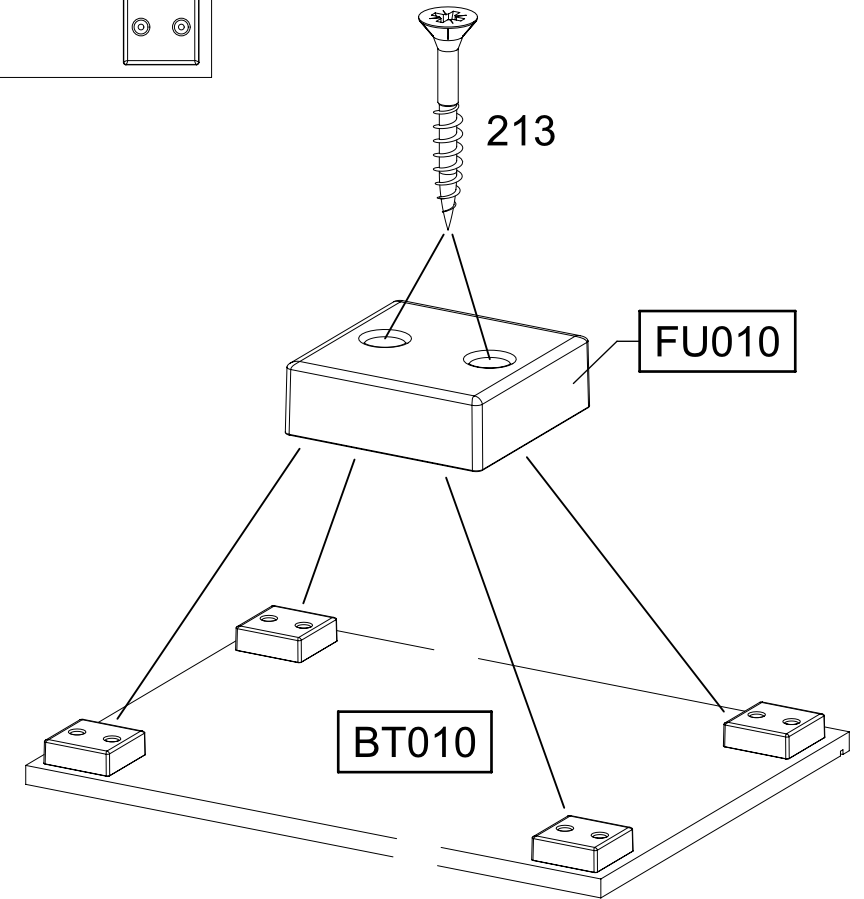
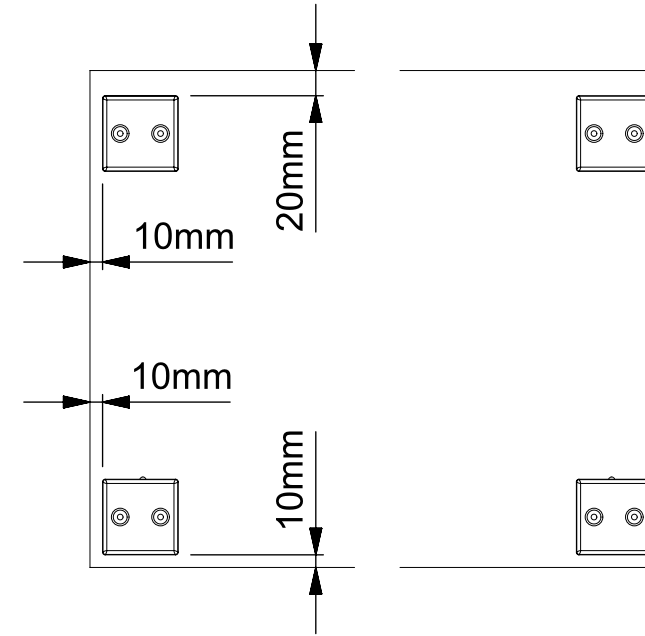
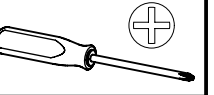
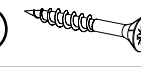


1

8x

213

4x30



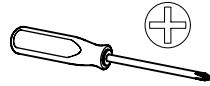
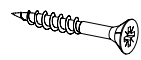
3.

2

2x

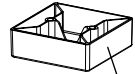
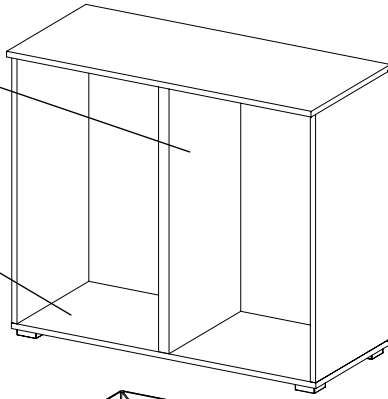
213

4x30



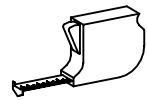
MS010

BT010

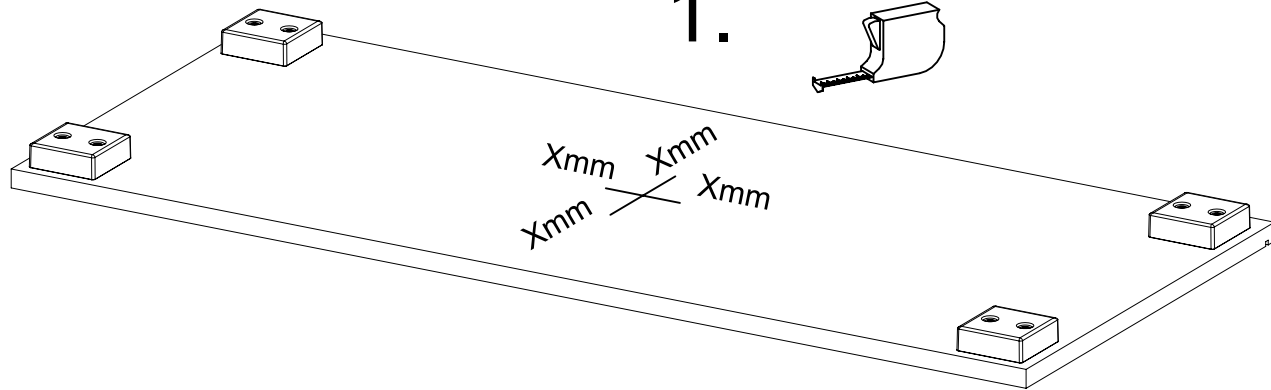


FU010

1.



Xmm Xmm
Xmm Xmm

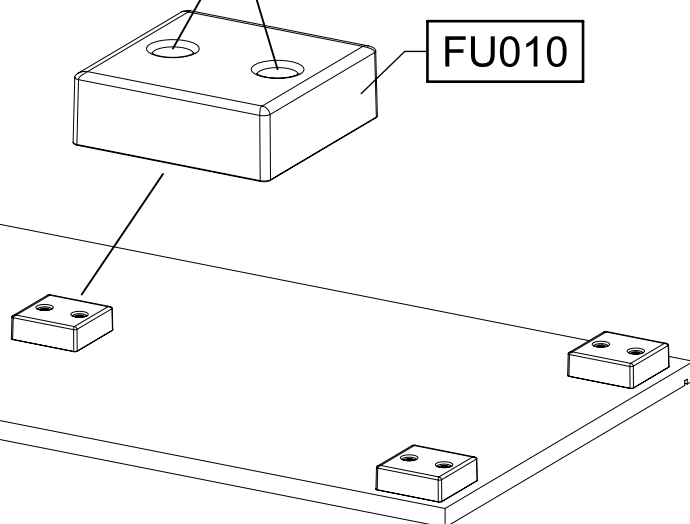


2.



213

FU010



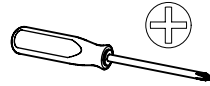
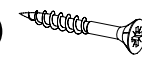
4.

3

2x

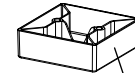
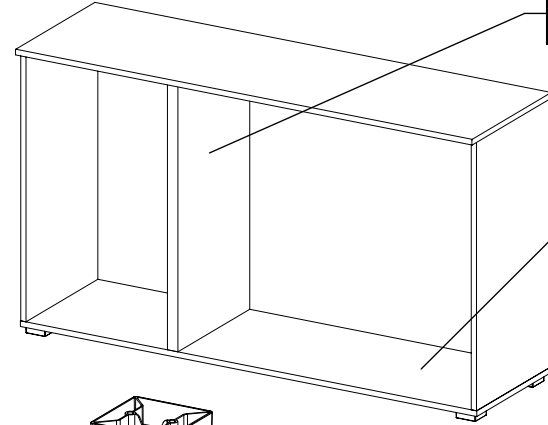
213

4x30

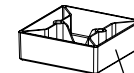


MS010

BT010

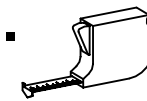


FU010

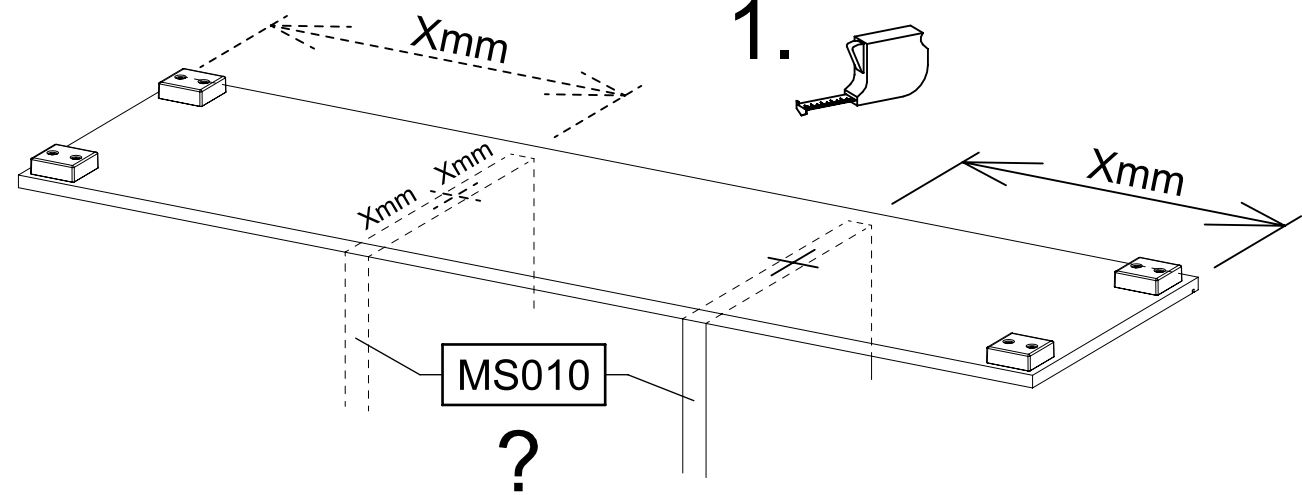


FU010

1.



Xmm Xmm
Xmm Xmm Xmm



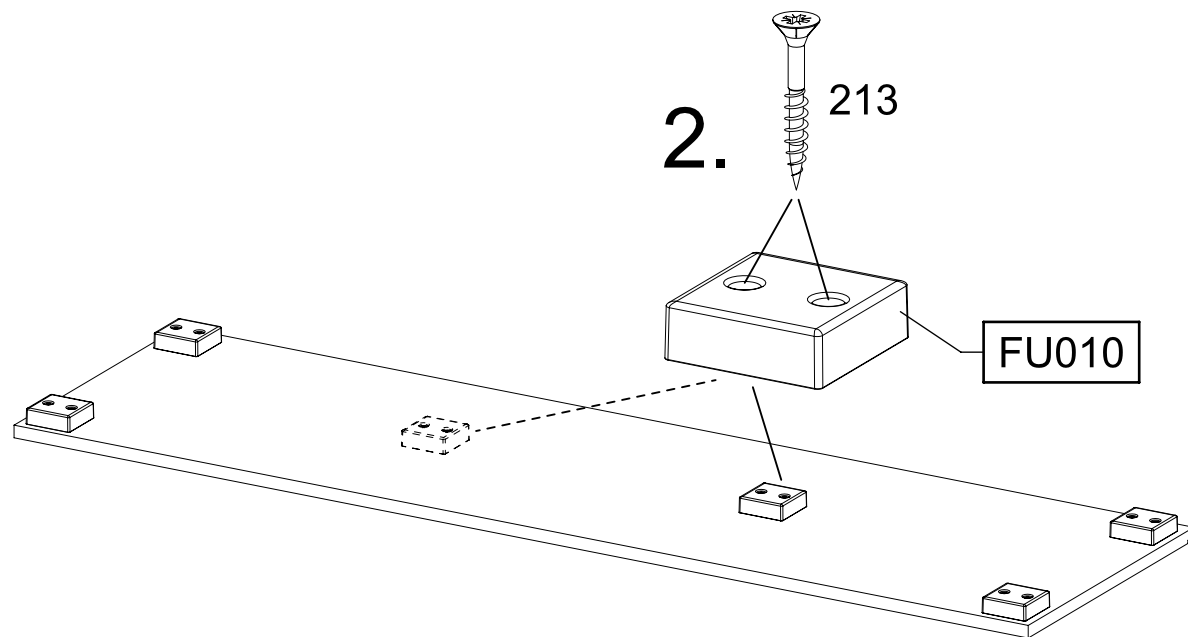
?

2.



213

FU010



4

4x

213

4x30

