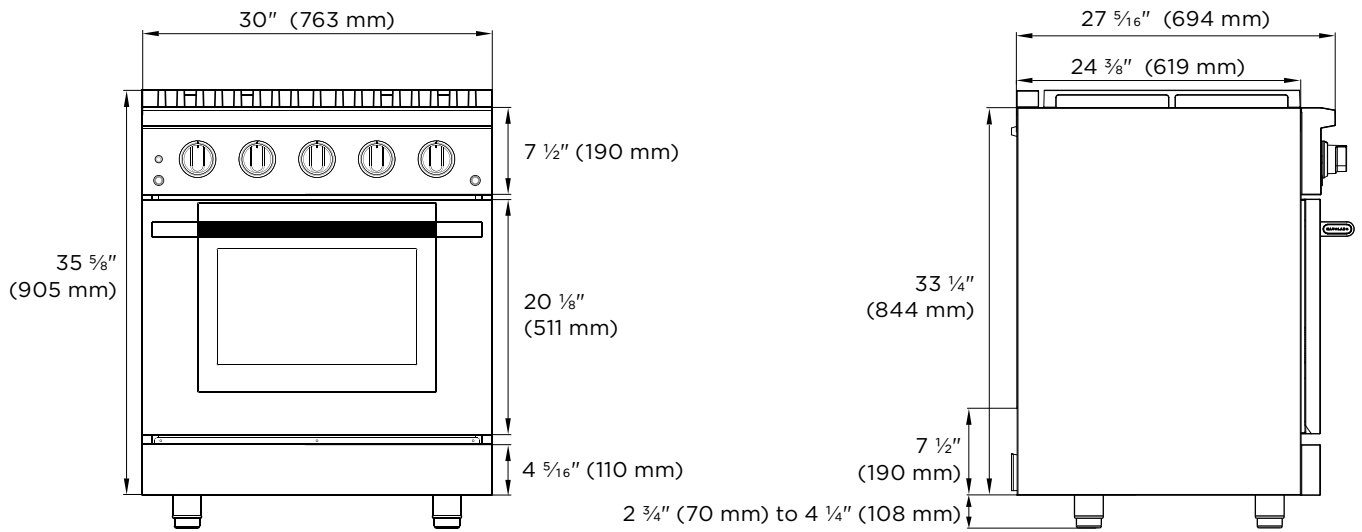
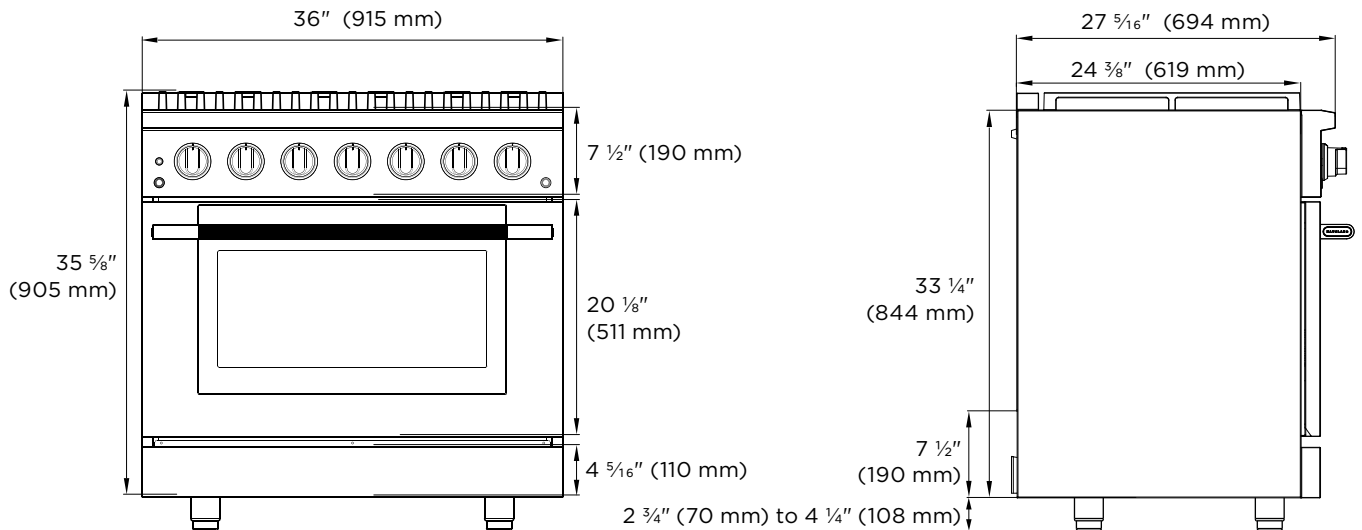


Specifications

PRD30 Model (Front View and Side View Dimensions)



PRD36 Model (Front View and Side View Dimensions)



PRD48 Model (Front View and Side View Dimensions)

