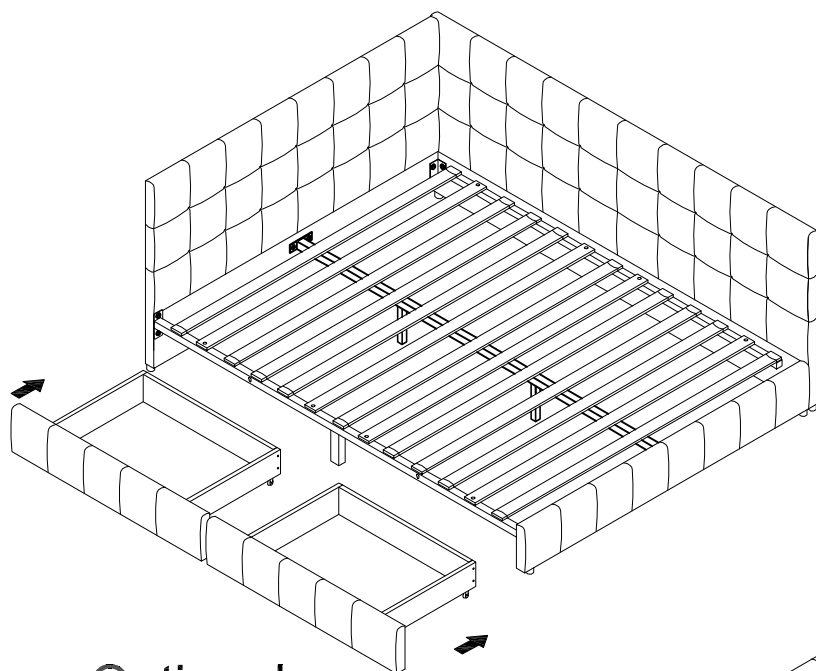
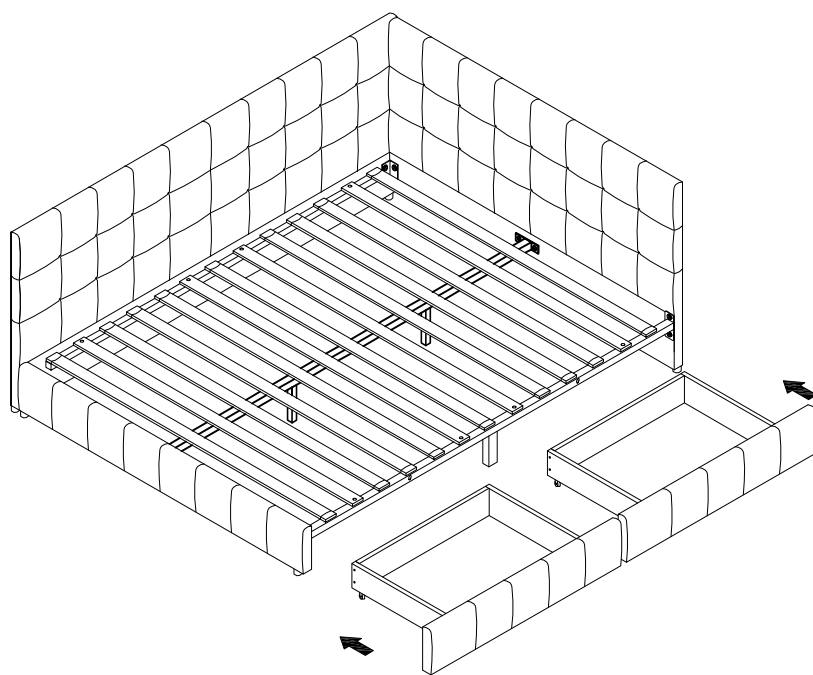


ASSEMBLY INSTRUCTIONS



Option L



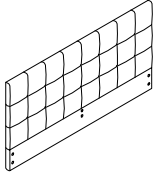
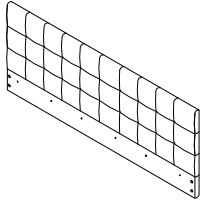
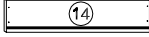
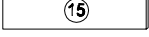
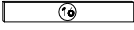
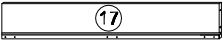

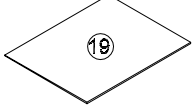
Option R

Set up the bed according to the needs of the room to choose the direction. Option L & Option R

Install all screws according to the instructions, and then tighten them completely.

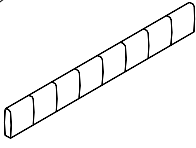
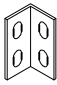
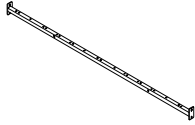
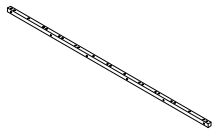
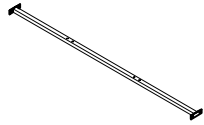
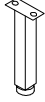
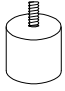

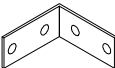

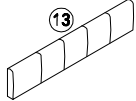
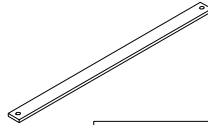
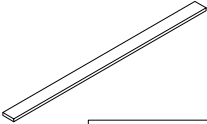
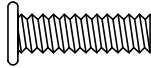







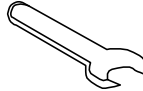






PACKING DETAILS:TOTAL 2 BOXES

BOX- 1/2

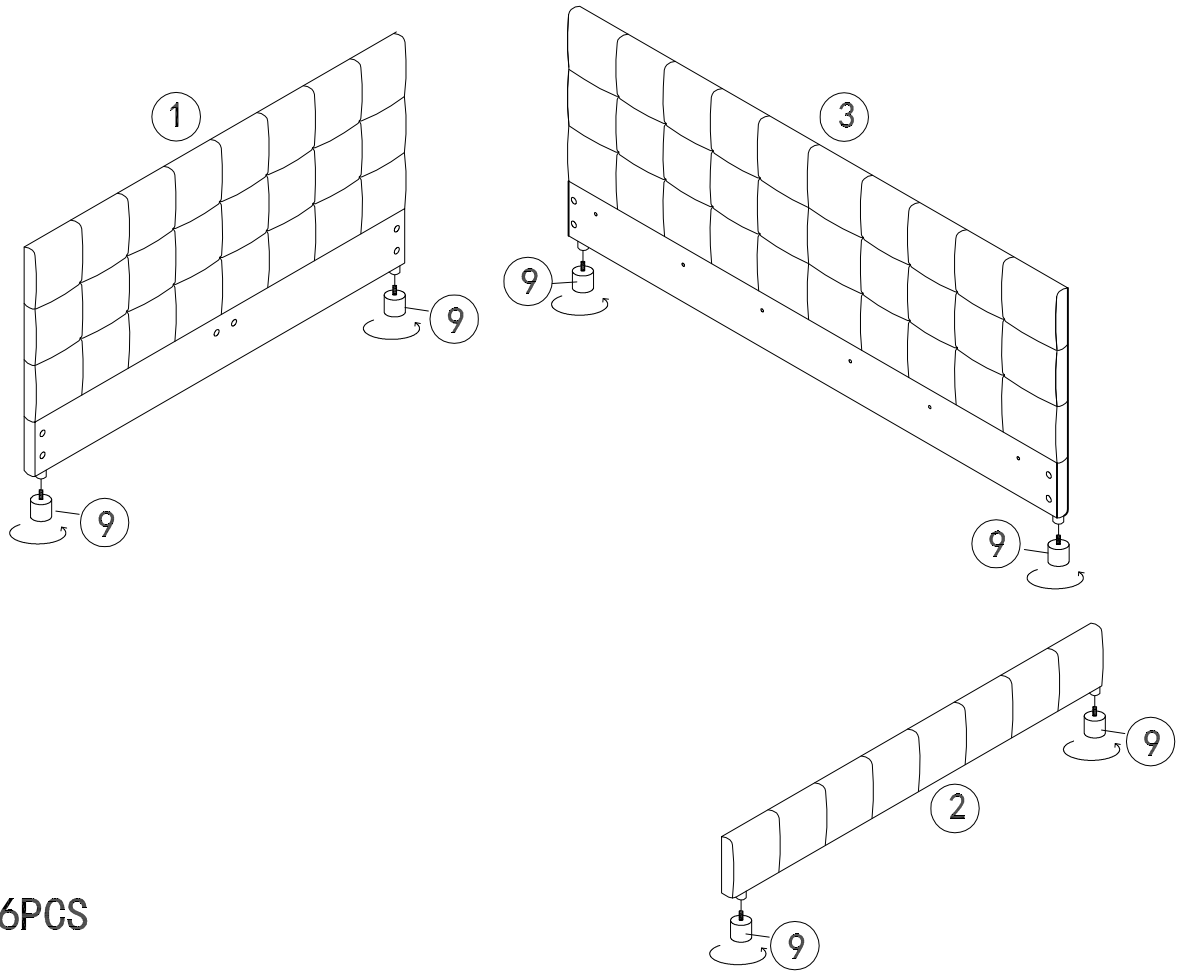
<p>① Headboard</p>  <p>1PC</p>	<p>③ Side rail -1</p>  <p>1PC</p>	<p>⑭</p>  <p>4PCS</p>	<p>⑮</p>  <p>2PCS</p>
<p>⑯</p>  <p>4PCS</p>	<p>⑰</p>  <p>2PCS</p>	<p>⑱</p>  <p>2PCS</p>	<p>⑲</p>  <p>2PCS</p>

PACKING DETAILS: TOTAL 2 BOXES

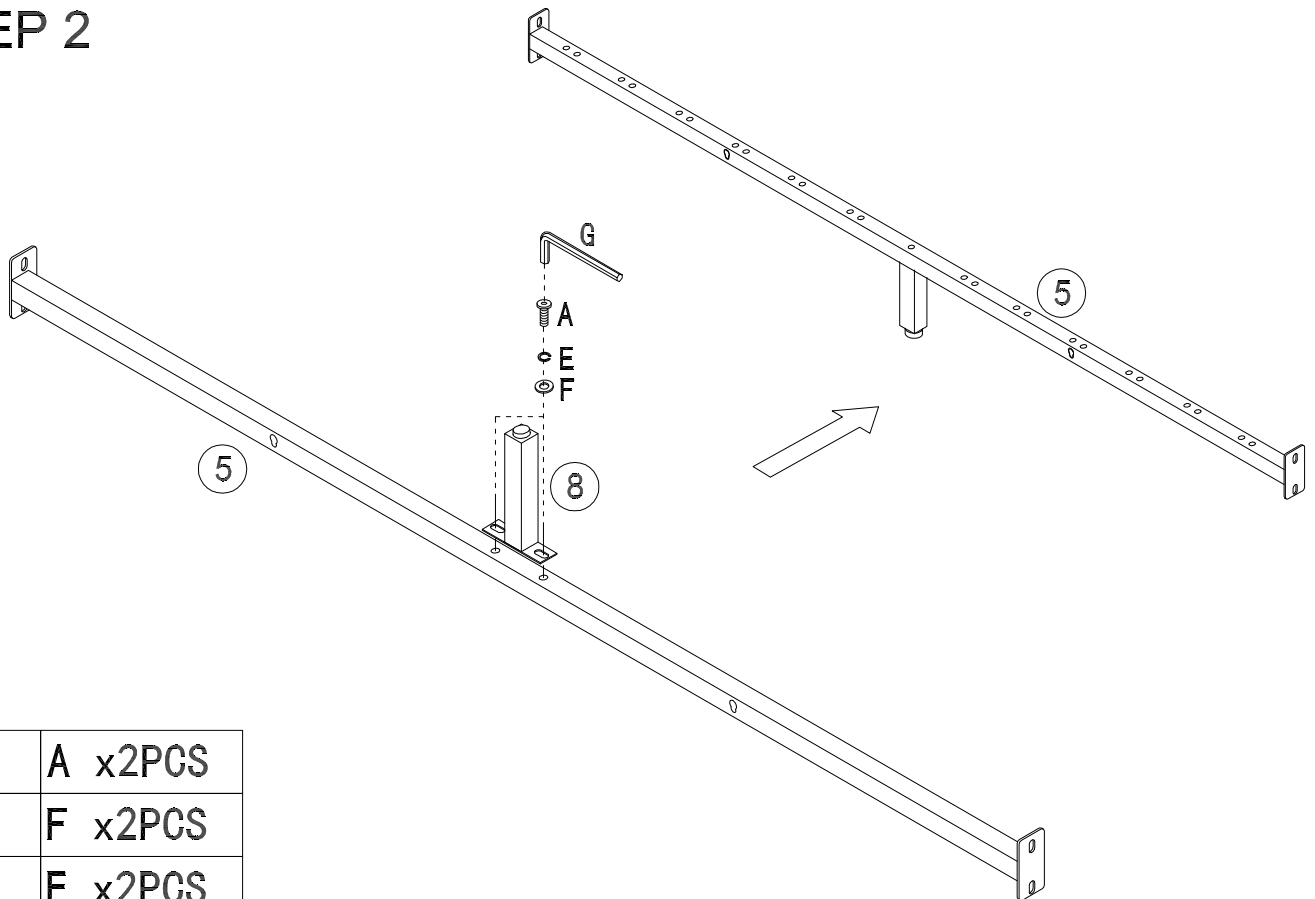
BOX- 2/2





② Footboard  <div style="border: 1px solid black; width: 100px; margin: 0 auto; padding: 2px; text-align: center;">1PC</div>	④  <div style="border: 1px solid black; width: 100px; margin: 0 auto; padding: 2px; text-align: center;">2PCS</div>	⑤ SR Support Rail  <div style="border: 1px solid black; width: 100px; margin: 0 auto; padding: 2px; text-align: center;">1PC</div>	⑥ SR Support Rail  <div style="border: 1px solid black; width: 100px; margin: 0 auto; padding: 2px; text-align: center;">1PC</div>
⑦ Center support rail  <div style="border: 1px solid black; width: 100px; margin: 0 auto; padding: 2px; text-align: center;">1PC</div>	⑧ Support Leg  <div style="border: 1px solid black; width: 100px; margin: 0 auto; padding: 2px; text-align: center;">3PCS</div>	⑨ Leg  <div style="border: 1px solid black; width: 100px; margin: 0 auto; padding: 2px; text-align: center;">6PCS</div>	⑩ Single Sided Plastic cap  <div style="border: 1px solid black; width: 100px; margin: 0 auto; padding: 2px; text-align: center;">18PCS</div>
⑪  <div style="border: 1px solid black; width: 100px; margin: 0 auto; padding: 2px; text-align: center;">1PC</div>	⑫  <div style="border: 1px solid black; width: 100px; margin: 0 auto; padding: 2px; text-align: center;">8PCS</div>	⑬  <div style="border: 1px solid black; width: 100px; margin: 0 auto; padding: 2px; text-align: center;">2PCS</div>	⑳  <div style="border: 1px solid black; width: 100px; margin: 0 auto; padding: 2px; text-align: center;">4PCS</div>
㉑ Slat  <div style="border: 1px solid black; width: 100px; margin: 0 auto; padding: 2px; text-align: center;">9PCS</div>	A  <div style="border: 1px solid black; width: 100px; margin: 0 auto; padding: 2px; text-align: center;">m8*30mm 21PCS</div>	B  <div style="border: 1px solid black; width: 100px; margin: 0 auto; padding: 2px; text-align: center;">m6*50mm 10PCS</div>	C  <div style="border: 1px solid black; width: 100px; margin: 0 auto; padding: 2px; text-align: center;">M6 12PCS</div>
D  <div style="border: 1px solid black; width: 100px; margin: 0 auto; padding: 2px; text-align: center;">m6*19mm 22PCS</div>	E  <div style="border: 1px solid black; width: 100px; margin: 0 auto; padding: 2px; text-align: center;">m8 21PCS</div>	F  <div style="border: 1px solid black; width: 100px; margin: 0 auto; padding: 2px; text-align: center;">m8*19mm 21PCS</div>	G  <div style="border: 1px solid black; width: 100px; margin: 0 auto; padding: 2px; text-align: center;">m8 1PC</div>
H  <div style="border: 1px solid black; width: 100px; margin: 0 auto; padding: 2px; text-align: center;">m6 1PC</div>	I  <div style="border: 1px solid black; width: 100px; margin: 0 auto; padding: 2px; text-align: center;">M6 1PC</div>	J  <div style="border: 1px solid black; width: 100px; margin: 0 auto; padding: 2px; text-align: center;">m6 * 40mm 40PCS</div>	K  <div style="border: 1px solid black; width: 100px; margin: 0 auto; padding: 2px; text-align: center;">8*15mm 32PCS</div>
L  <div style="border: 1px solid black; width: 100px; margin: 0 auto; padding: 2px; text-align: center;">1PC</div>	M  <div style="border: 1px solid black; width: 100px; margin: 0 auto; padding: 2px; text-align: center;">m6*30mm 10PCS</div>	N  <div style="border: 1px solid black; width: 100px; margin: 0 auto; padding: 2px; text-align: center;">m6*14mm 8PCS</div>	O  <div style="border: 1px solid black; width: 100px; margin: 0 auto; padding: 2px; text-align: center;">m6*60mm 8PCS</div>

STEP 1



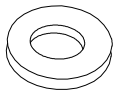
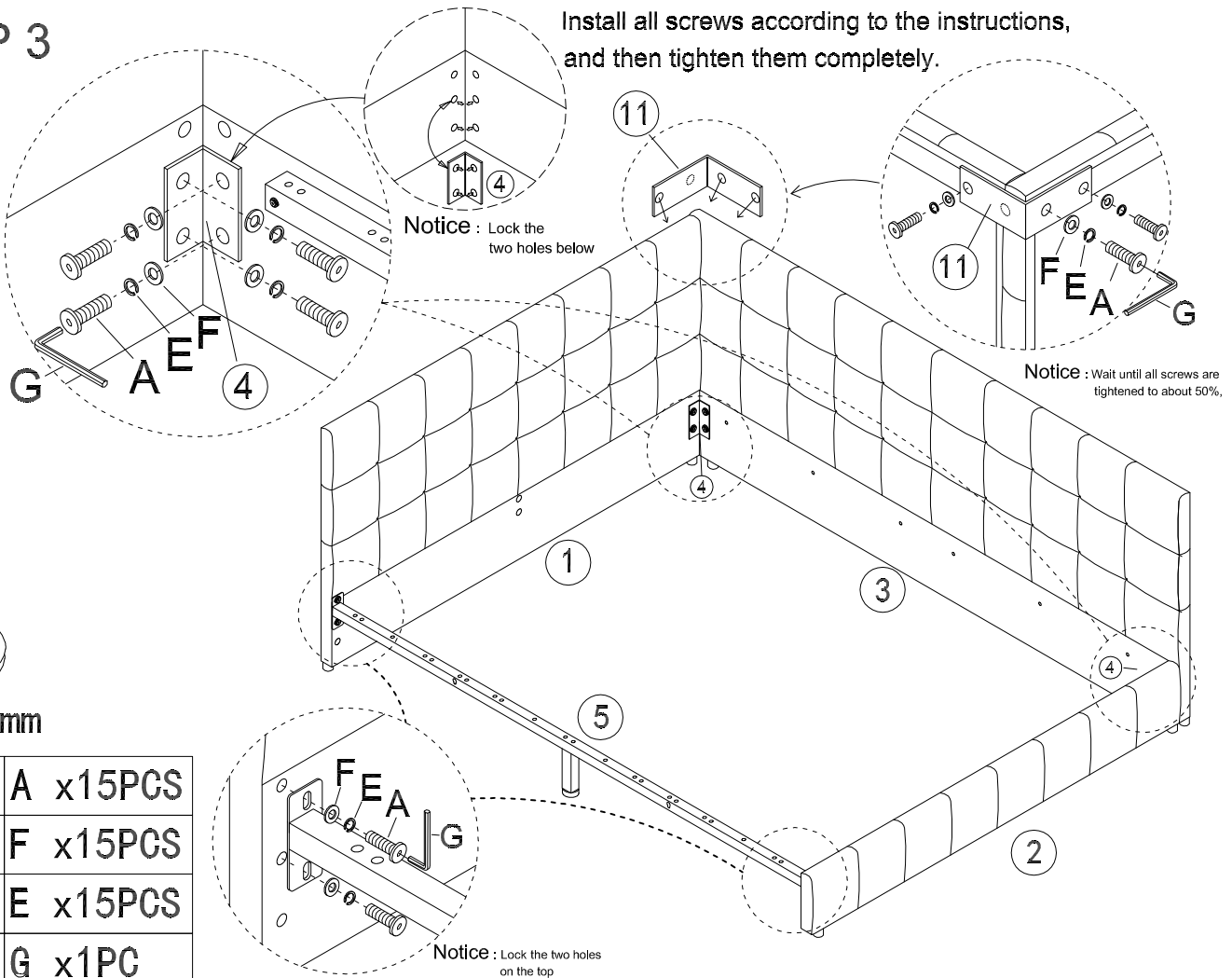
STEP 2



	A x2PCS
	F x2PCS
	E x2PCS
	G x1PC

STEP 3

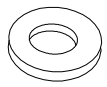
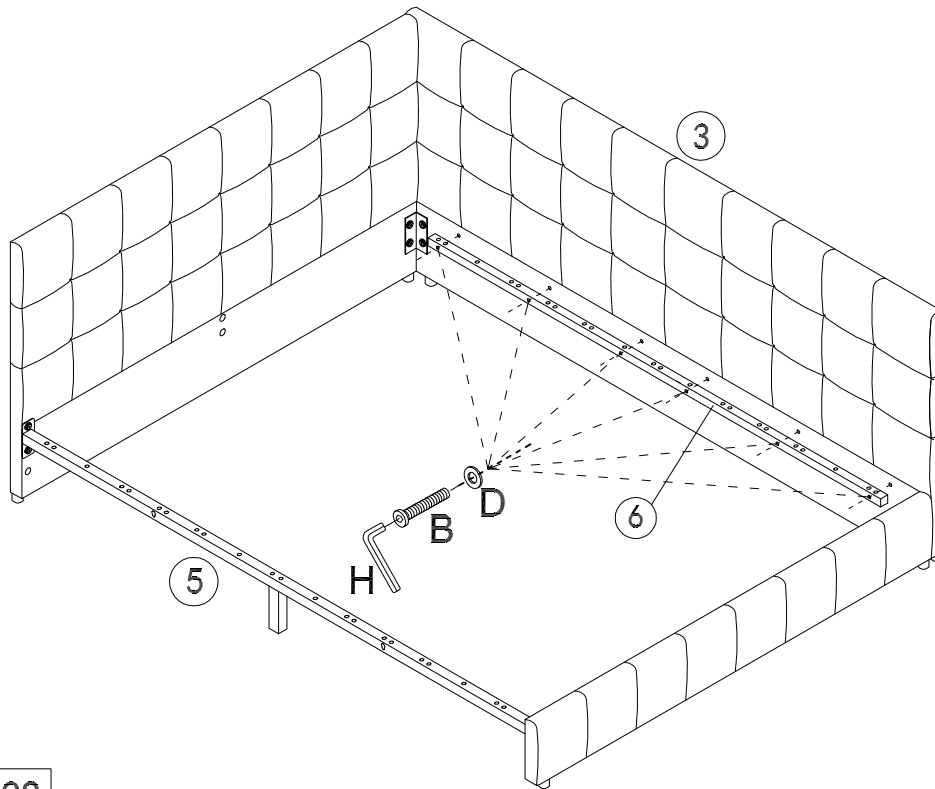
Install all screws according to the instructions, and then tighten them completely.



m8*19mm

	A x15PCS
	F x15PCS
	E x15PCS
	G x1PC

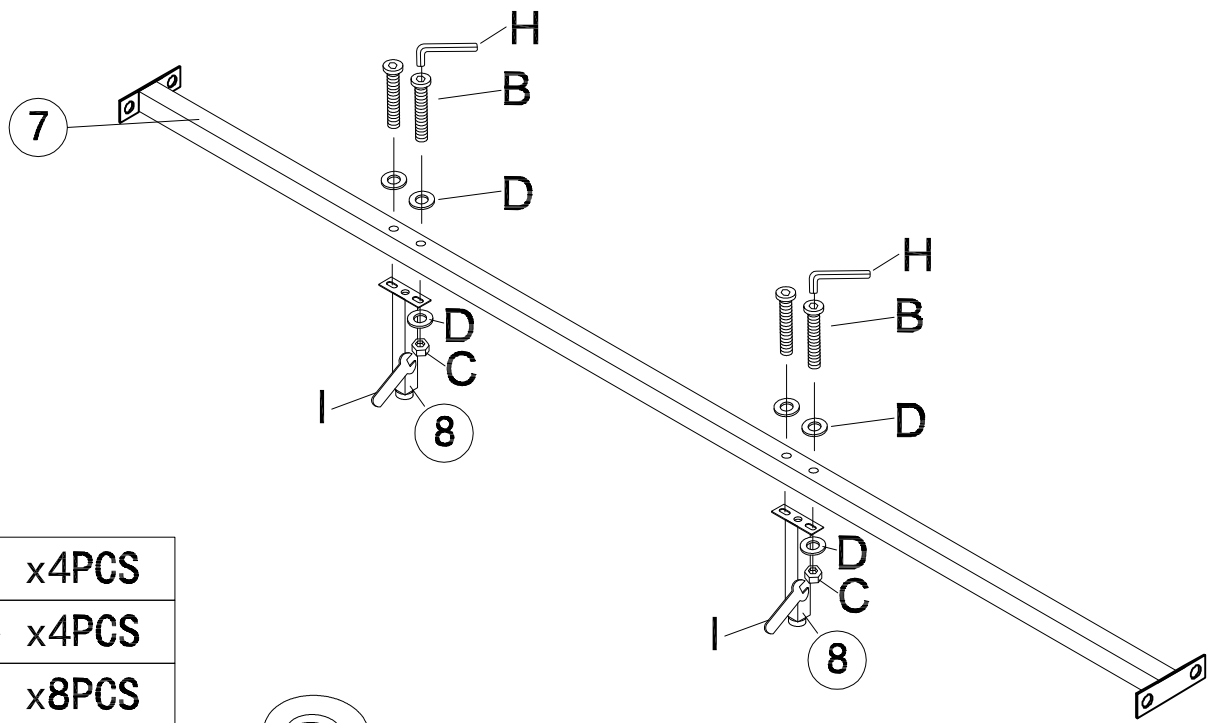
STEP 4





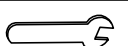



m6*19mm

	B x 6PCS
	D x 6PCS
	H x 1PC

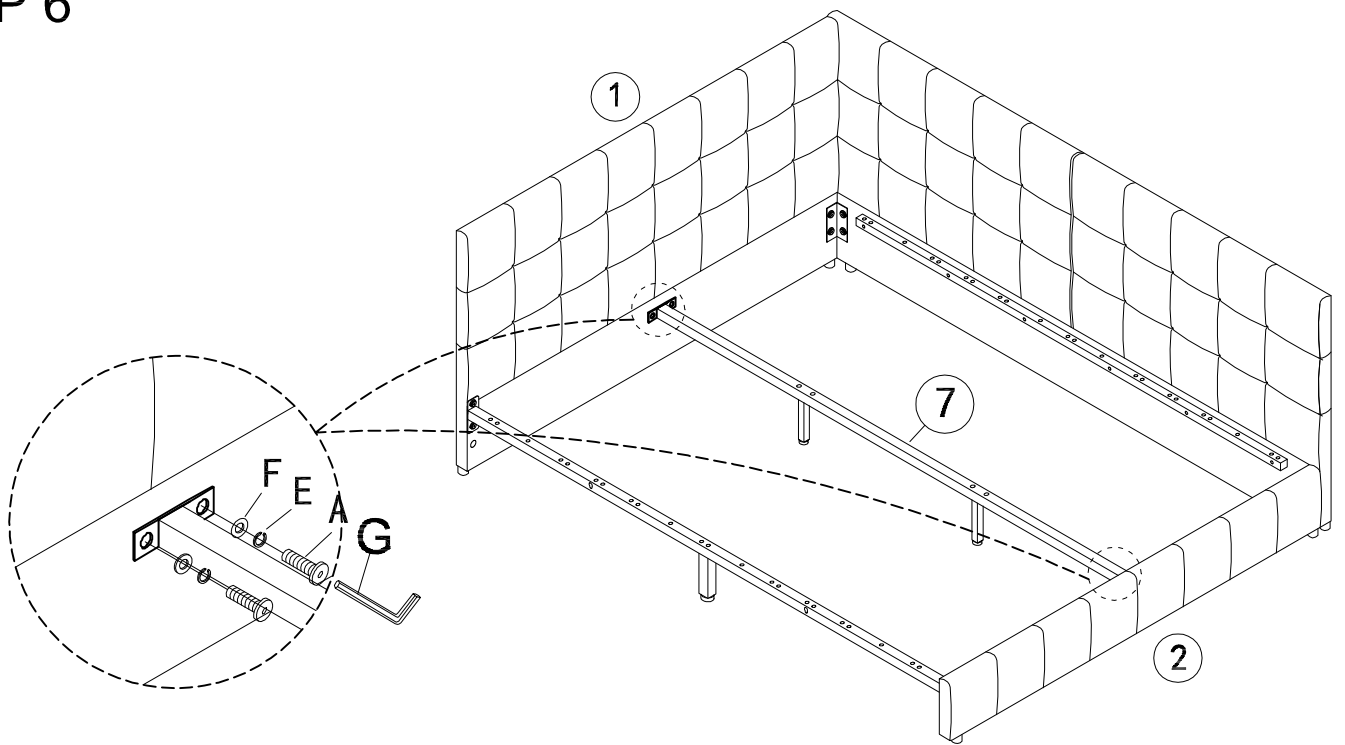
STEP 5







	B x4PCS
	C x4PCS
	D x8PCS
	H x1PC
	I x1PC

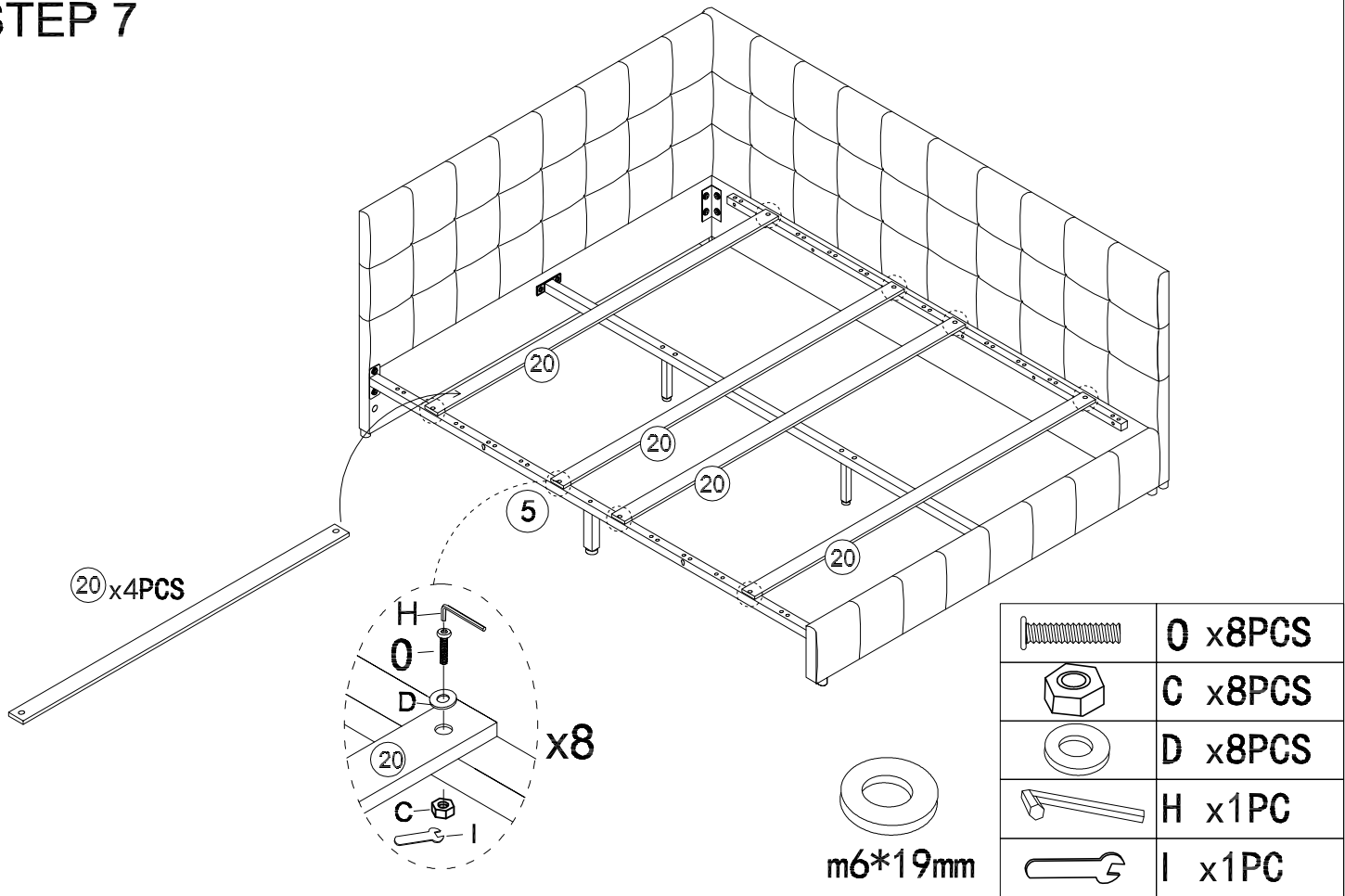
 **x8PCS**
m6*19mm

STEP 6

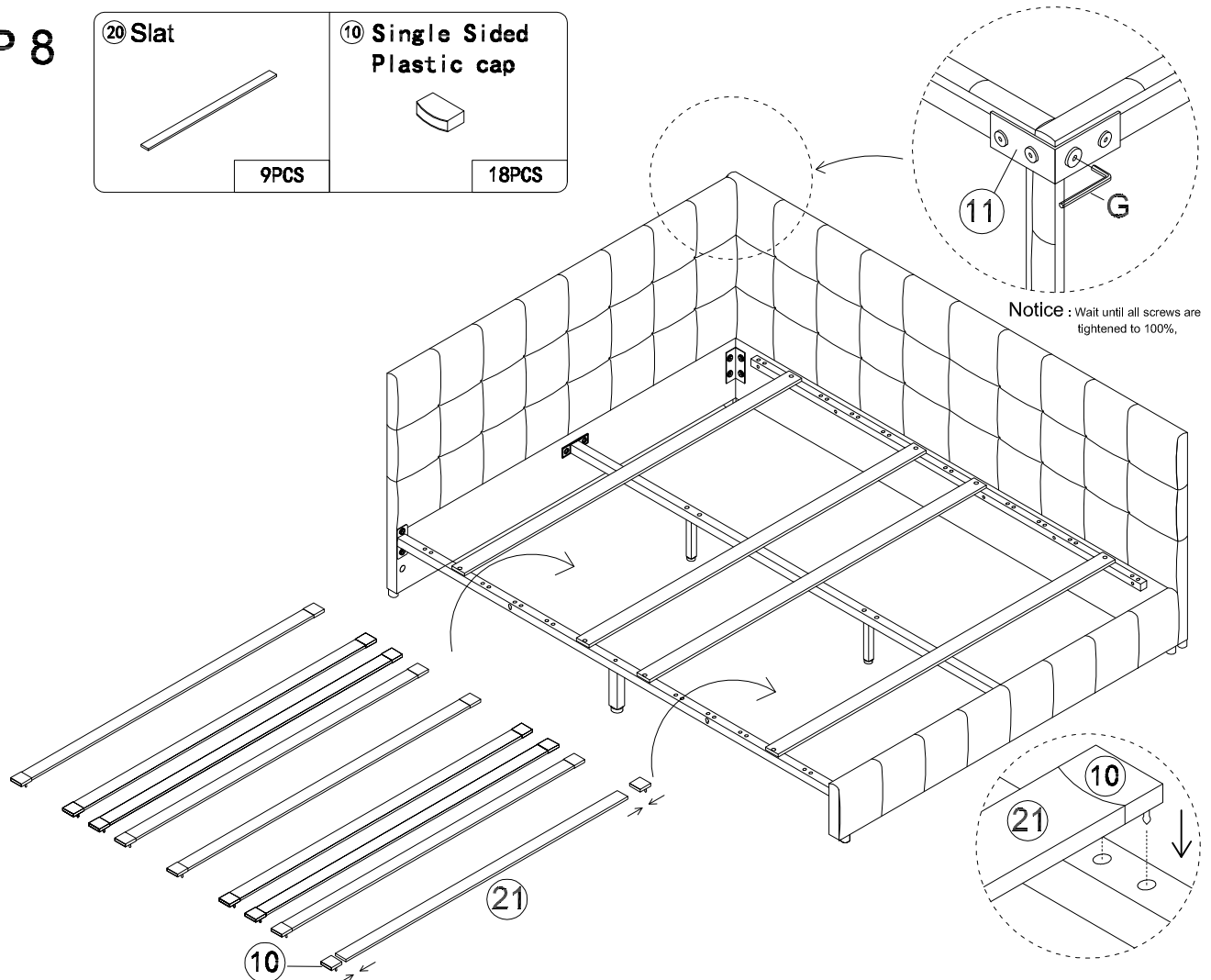
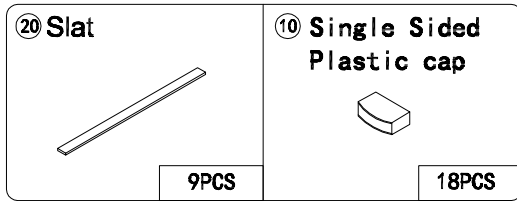


	A x4PCS
	F x4PCS
	E x4PCS
	G x1PC

STEP 7

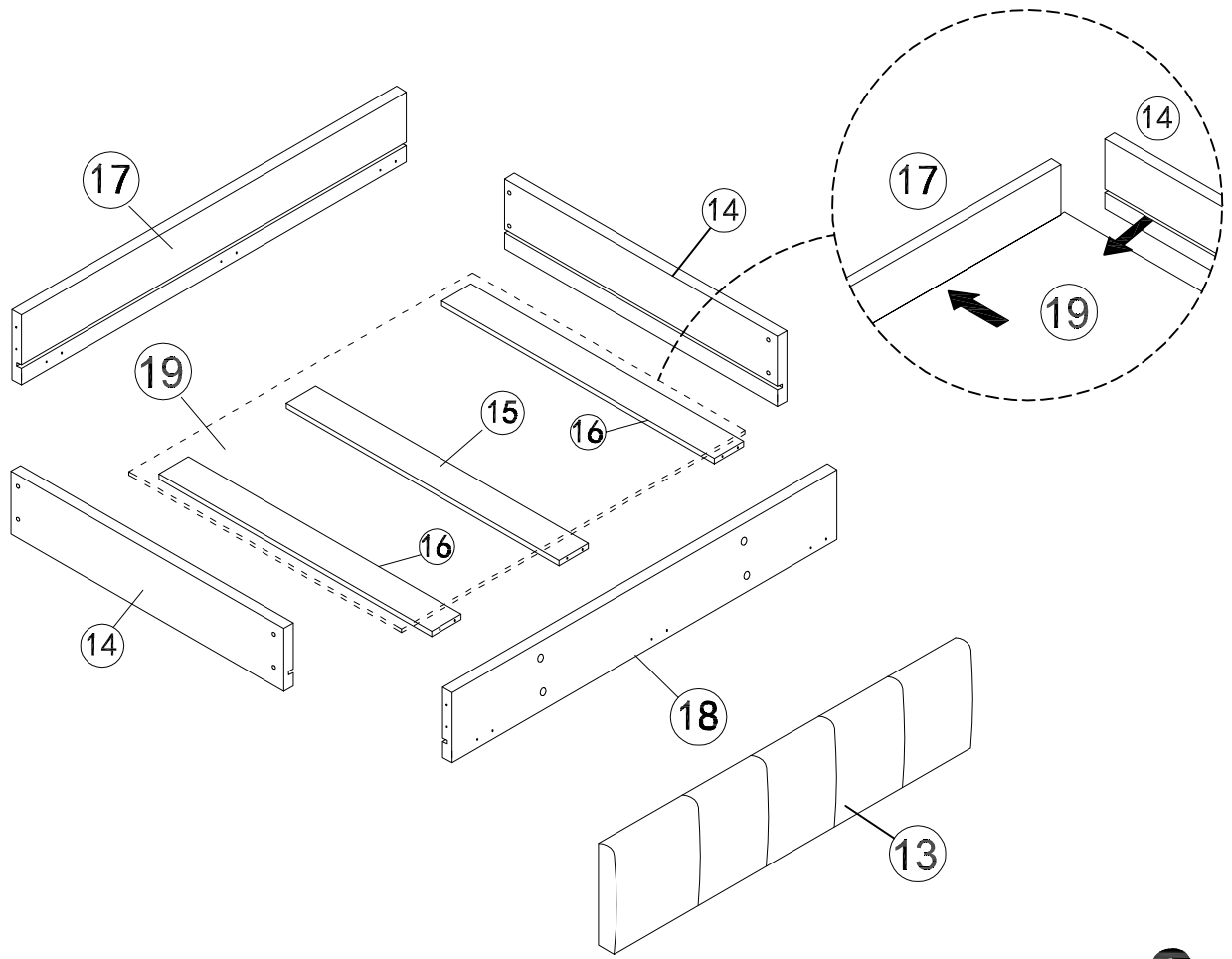


STEP 8



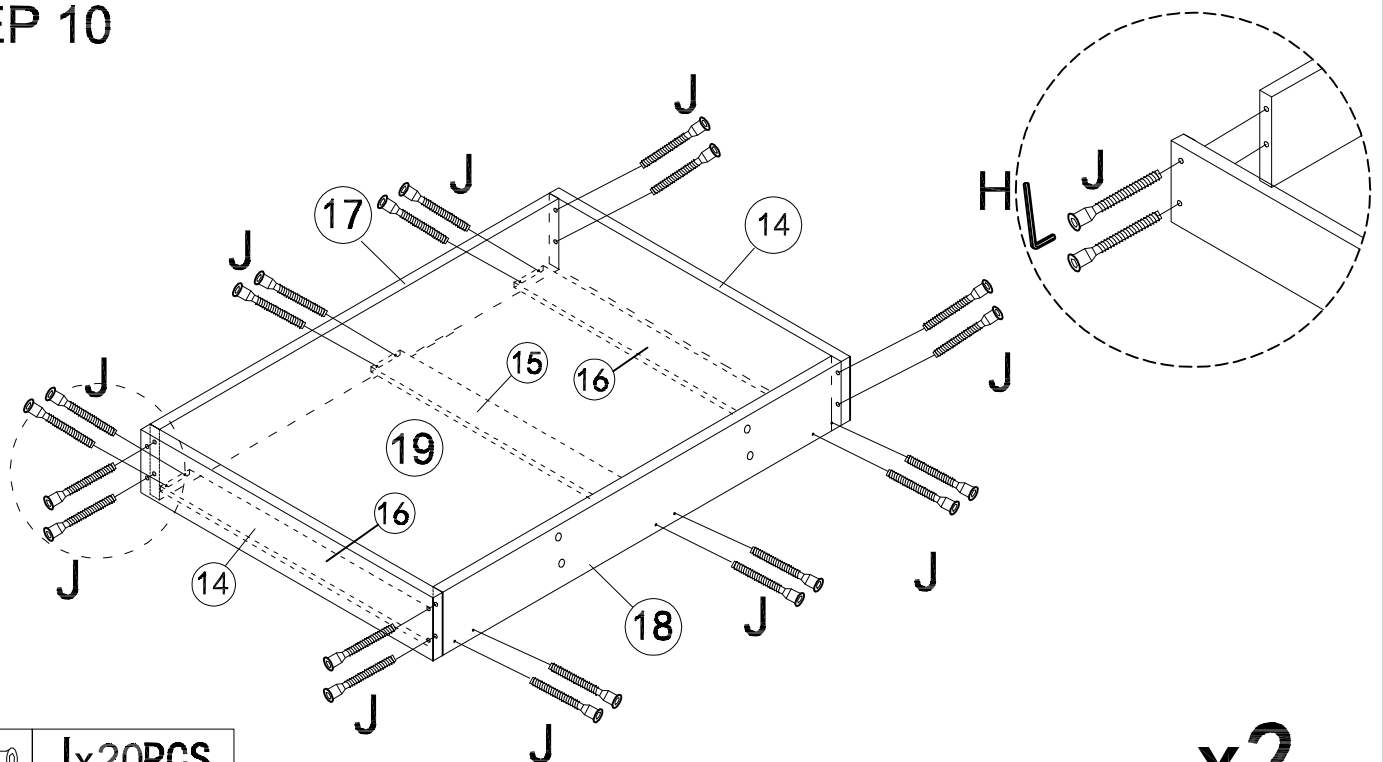
STEP 9

ASSEMBLE DRAWER

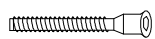


x2

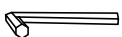
STEP 10



x2

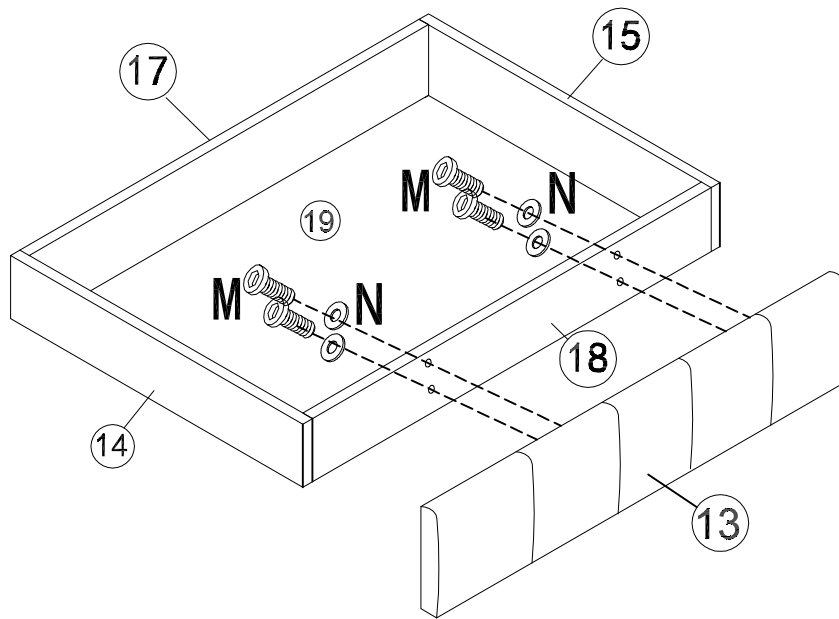


Jx20PCS



Hx1PC

STEP 11



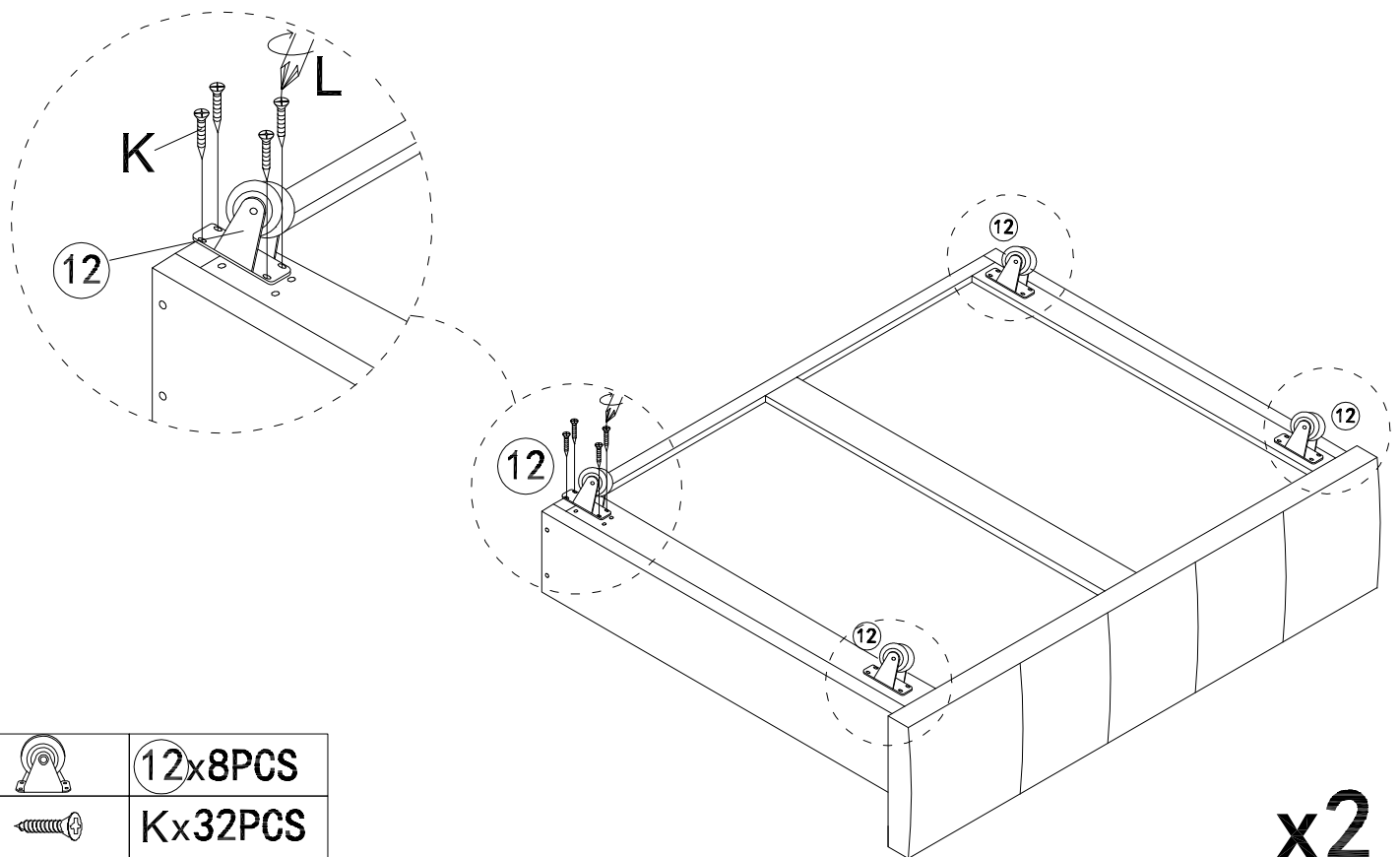
M x 8PCS



N x 8PCS

x2

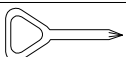
STEP 12



12x8PCS



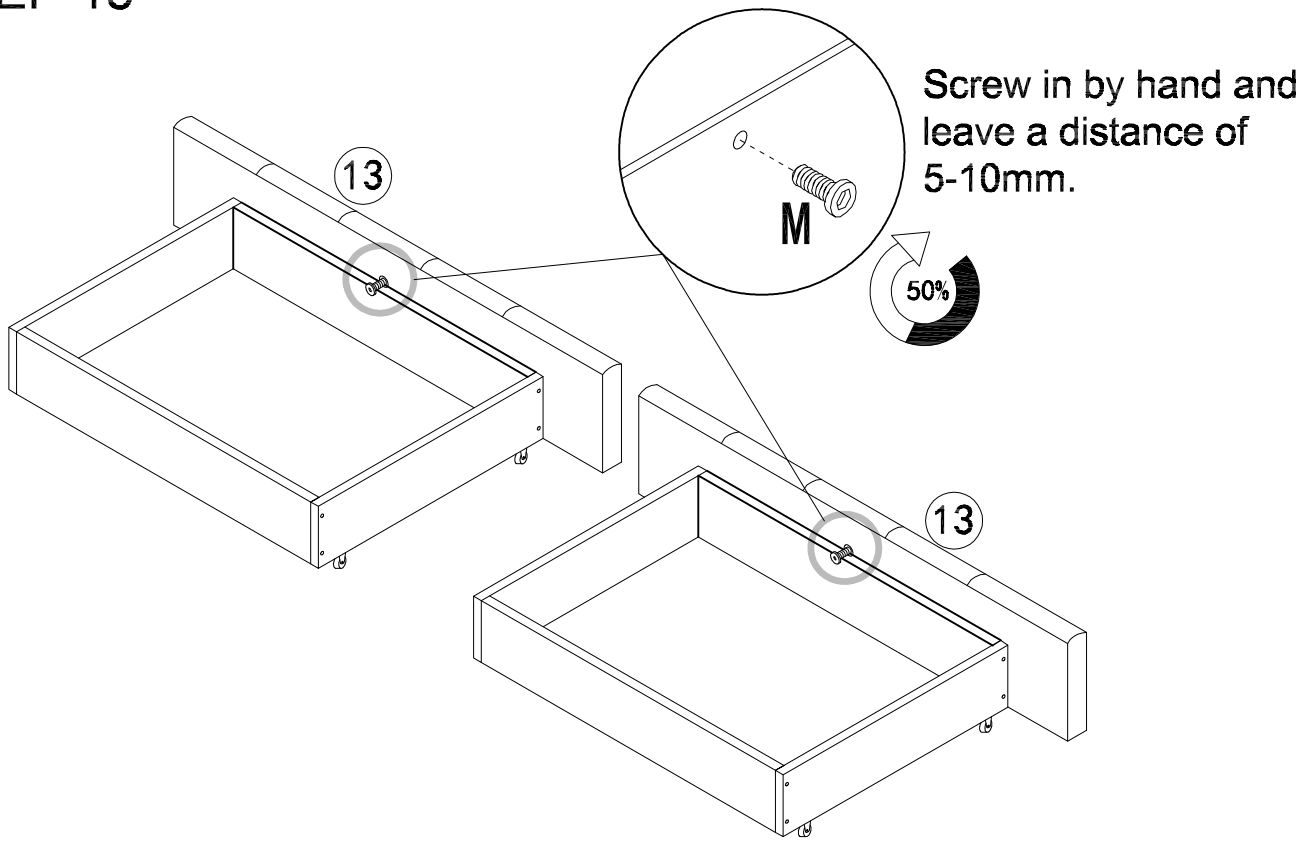
Kx32PCS



L x 1PC

x2

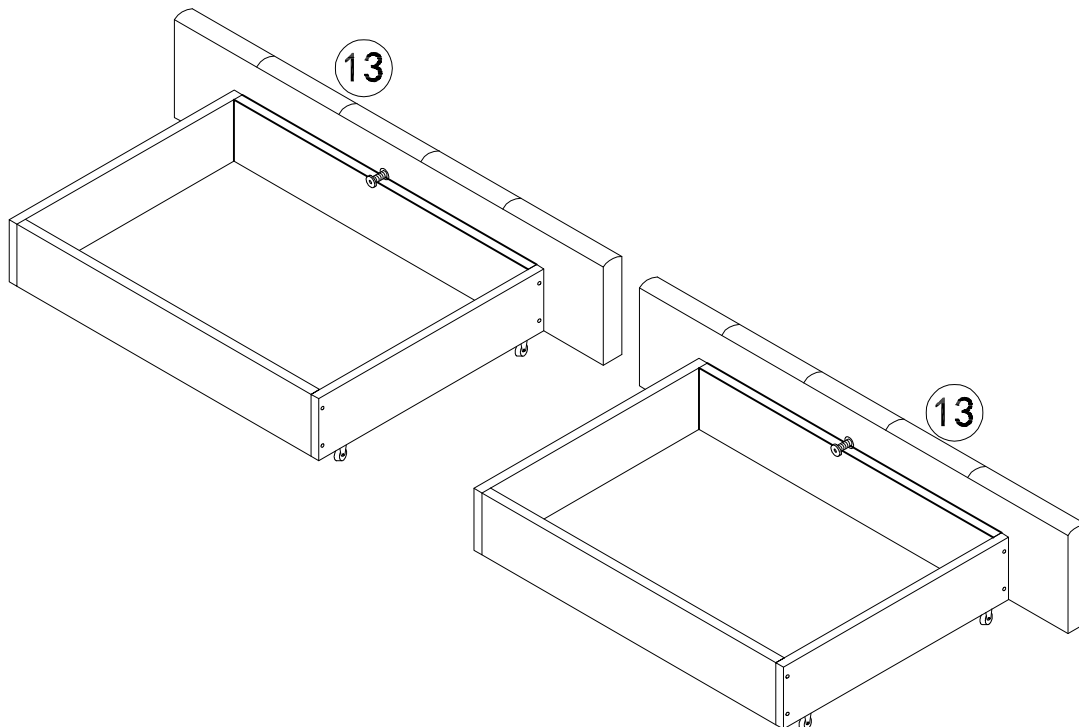
STEP 13



M x2PCS

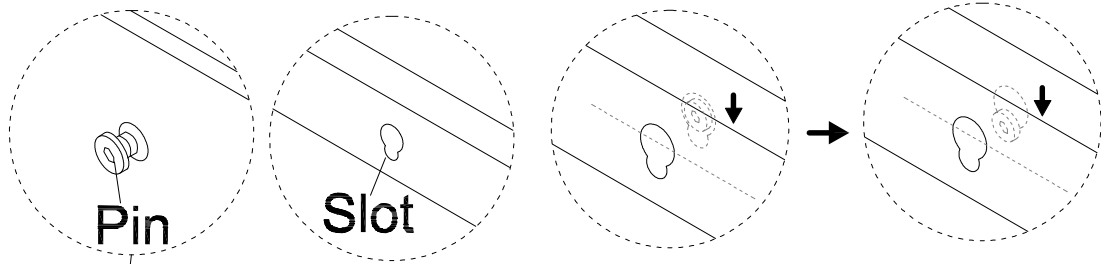
STEP 14

DRAWER ASSEMBLE COMPLETE



STEP 15

Drawer panel screw hang into side cross beam hole.



There is a screw head on the drawer board. Hang them in the hole as shown in the figure.

