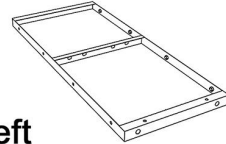
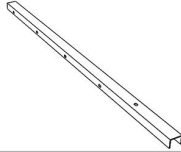
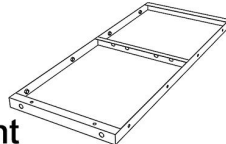
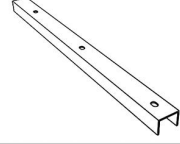
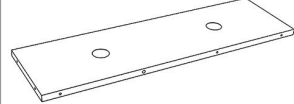

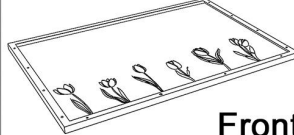

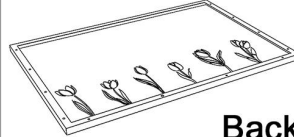

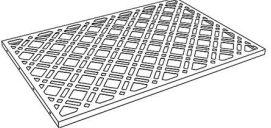

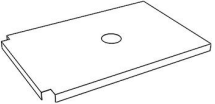

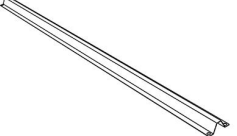



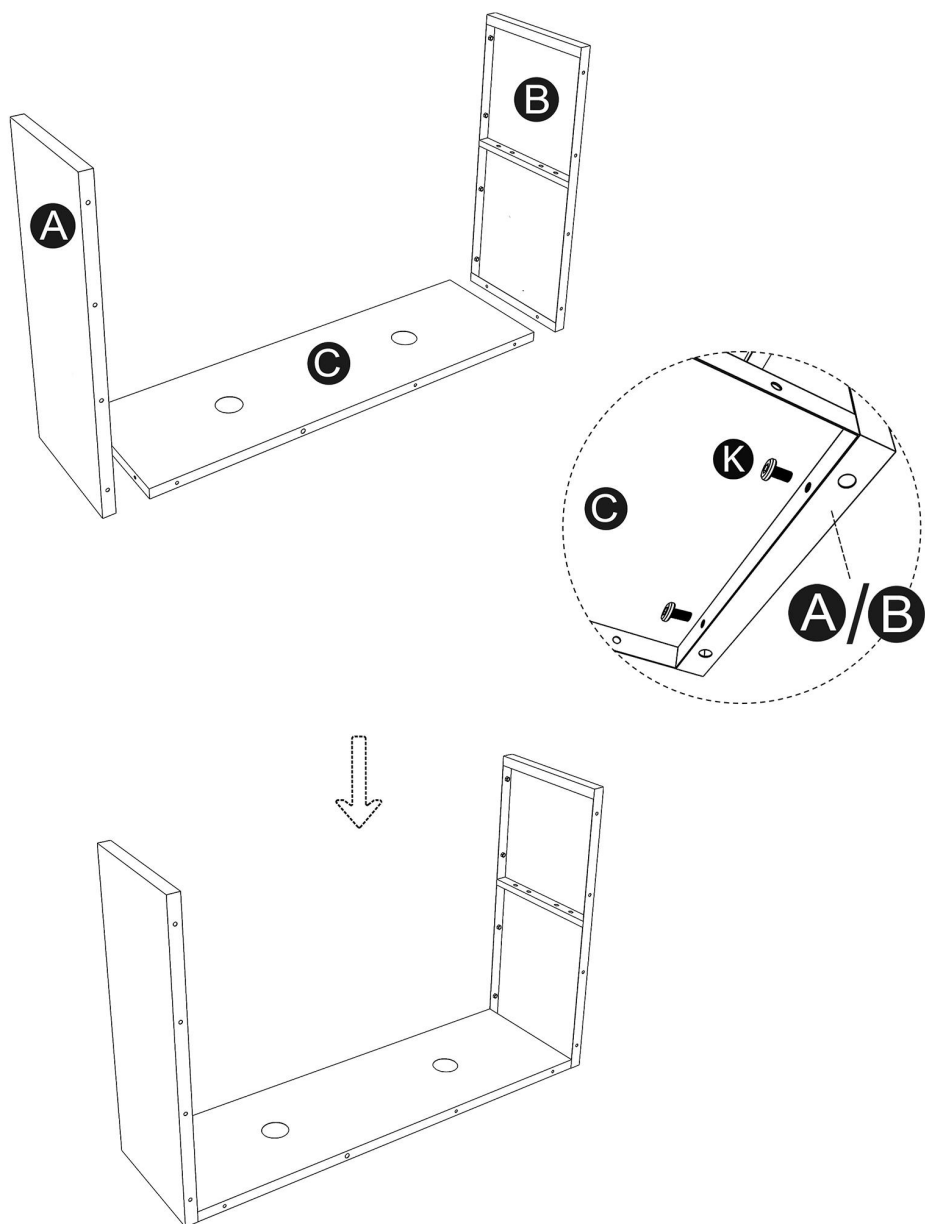
Raised Garden Bed With Trellis

Assembly Unit

A	 Left	1 PC	I		2 PCS
B	 Right	1 PC	J		2 PCS
C		1 PC	K	 M6*15MM	36 +5 PCS
D	 Front	1 PC	L	 M6*50MM	8 PCS
E	 Back	1 PC	M		16 +2 PCS
F		1 PC	N		4 PCS
G		2 PCS	O		1 PC
H		2 PCS	P		1 PC

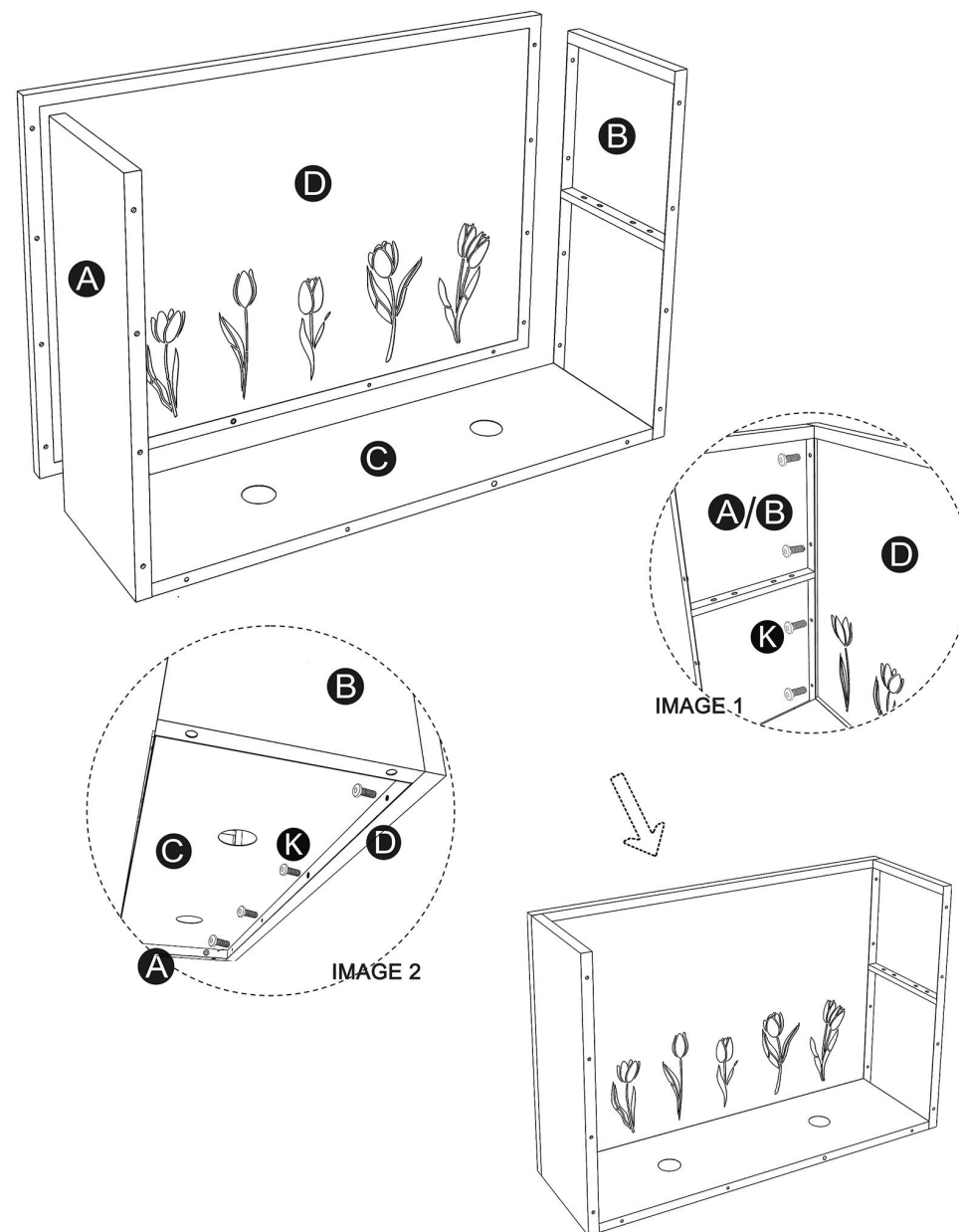
Assembly

1. Connect the board **A** & **B** & the bottom board **C** with screws **K**.
Make sure the holes for each screw are in the correct position.



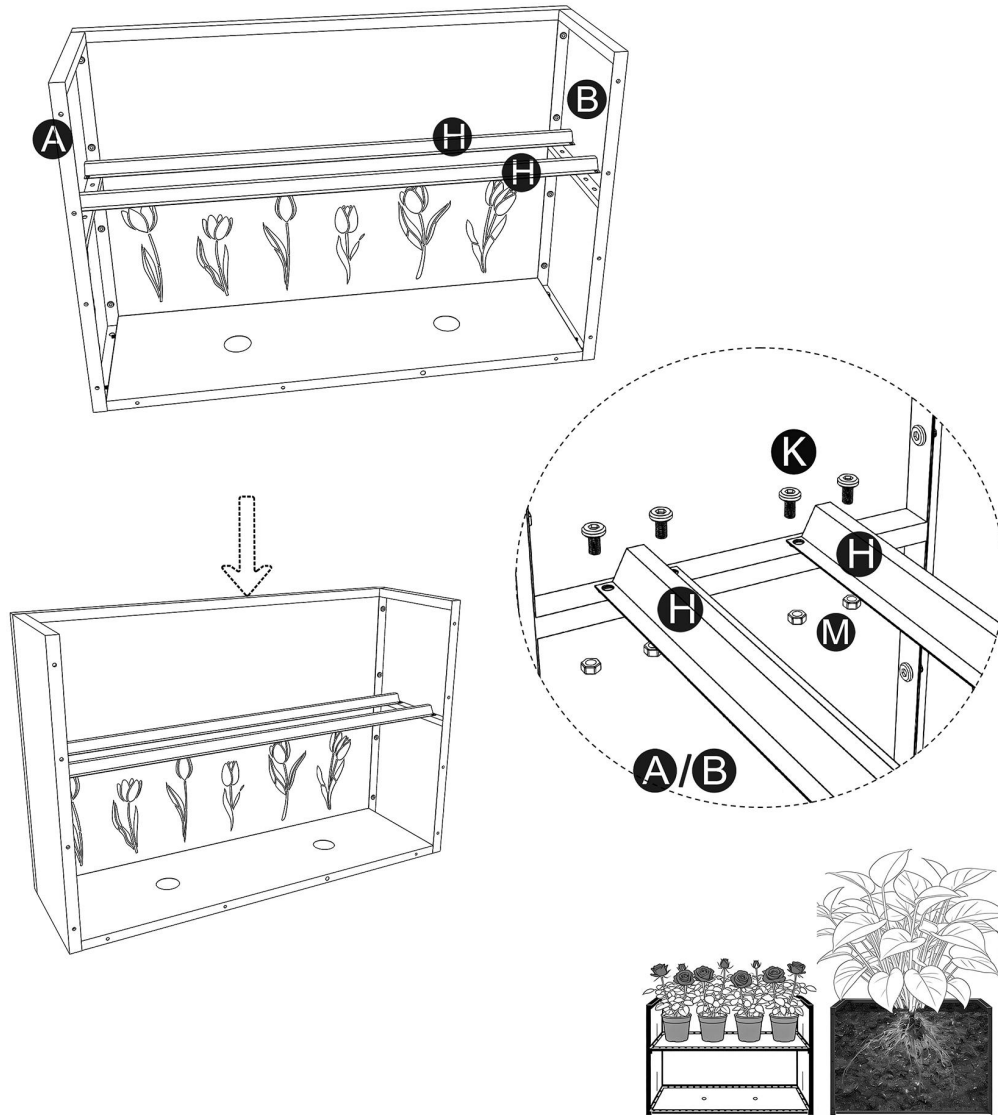
Assembly

2. Connect the front board **D** and **A / B** with screws **K** (IMAGE 1).
Connect the board **D** and **C** with screws **K** (IMAGE 2).



Assembly

3. Connect the cross support H and A&B with screws K&M.

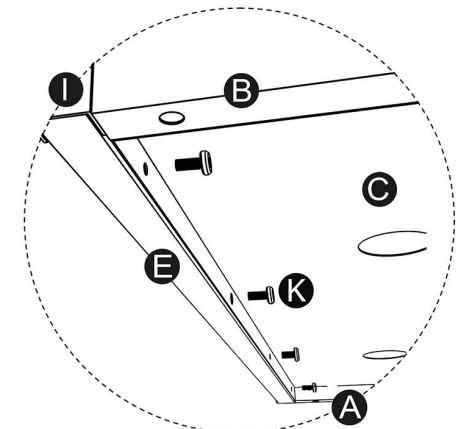
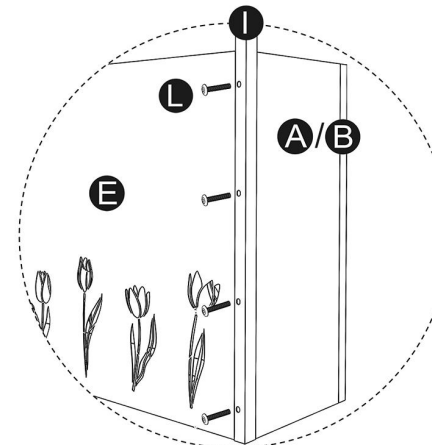
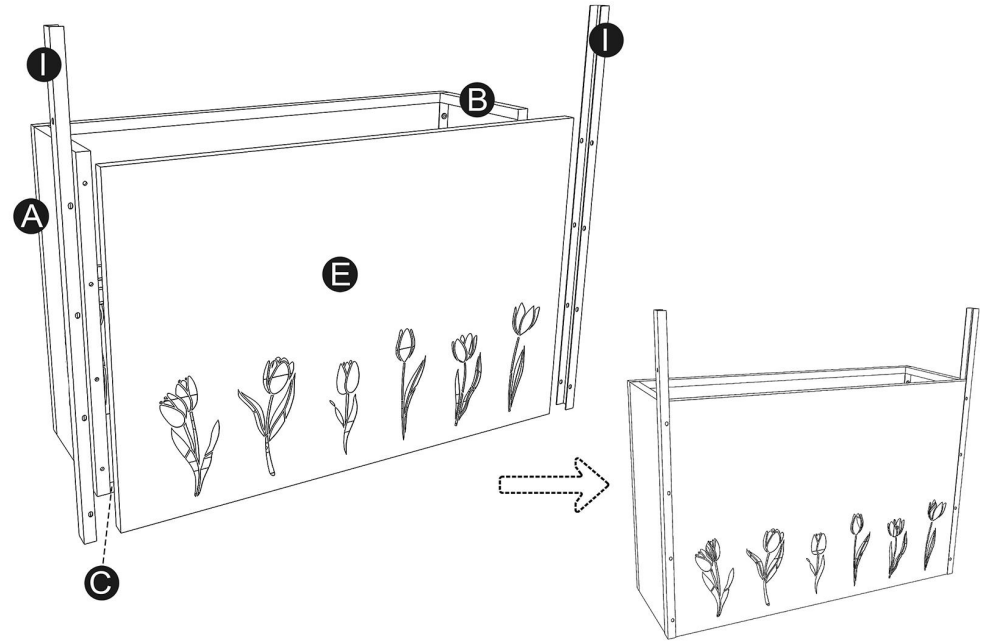


This step is for the final installation of the shelf G, where only the upper space will be used for placing flower pots. If you do not need the shelf and want to use the entire empty box, you can skip this step.

Assembly

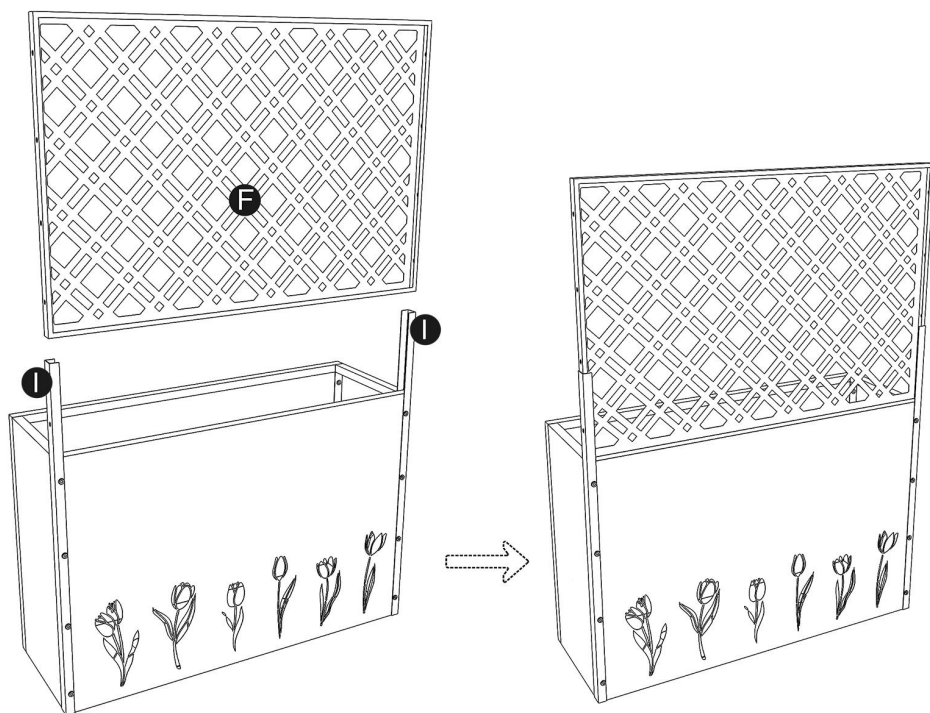
4. Connect the pole I, back board E with screws K&L.

- ① connect pole I, side boards AB and back board E with long screws L (IMAGE 1).
- ② connect the back board E and bottom board C with screws K (IMAGE 2).



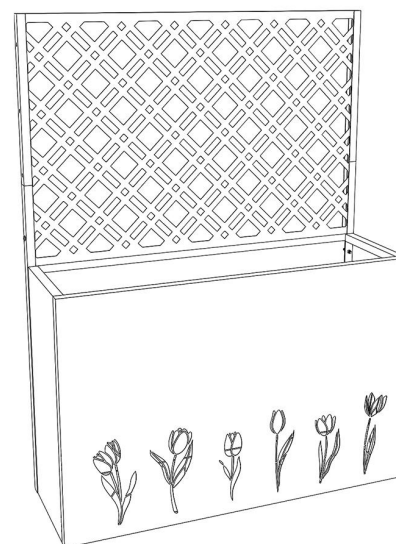
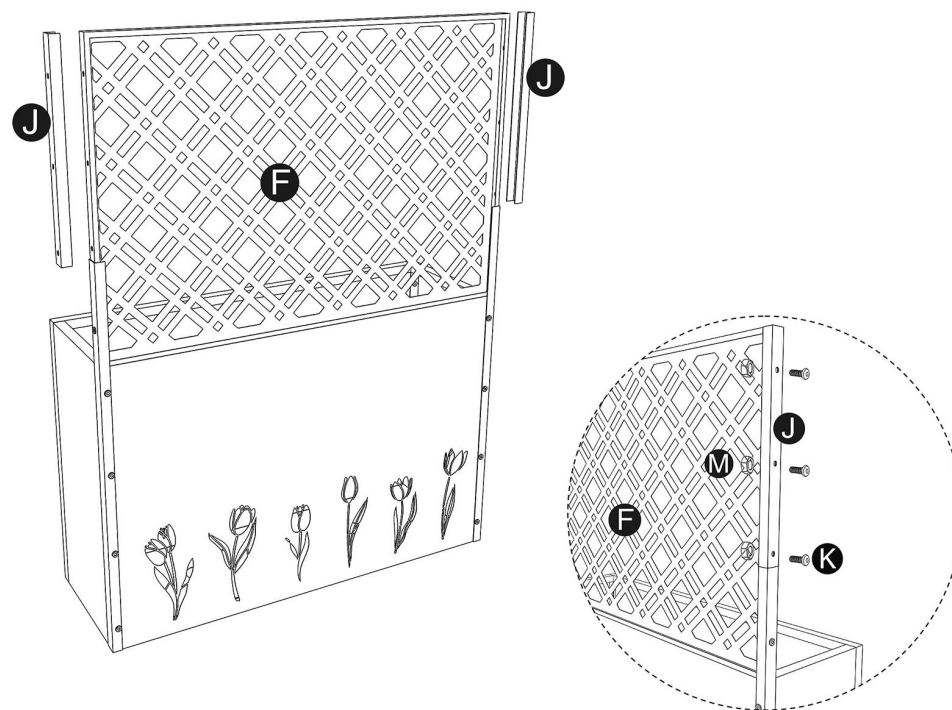
Assembly

5. Connect the mesh plate F and pole I with screws K&M.



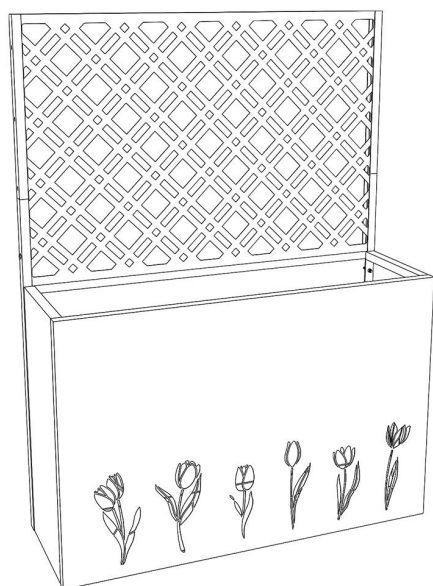
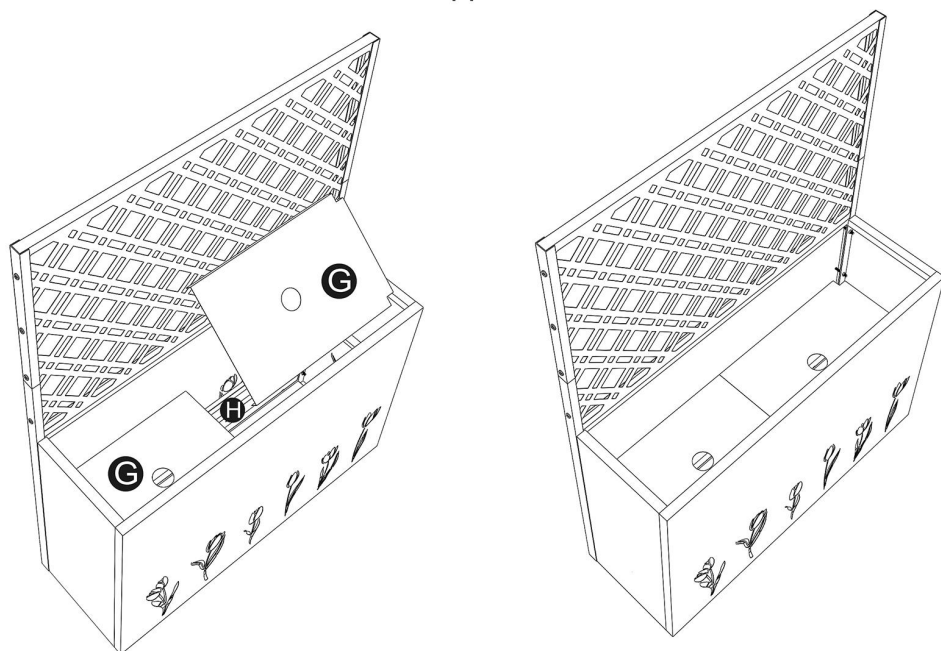
Assembly

6. Connect the mesh plate F and pole J with screws K&M.



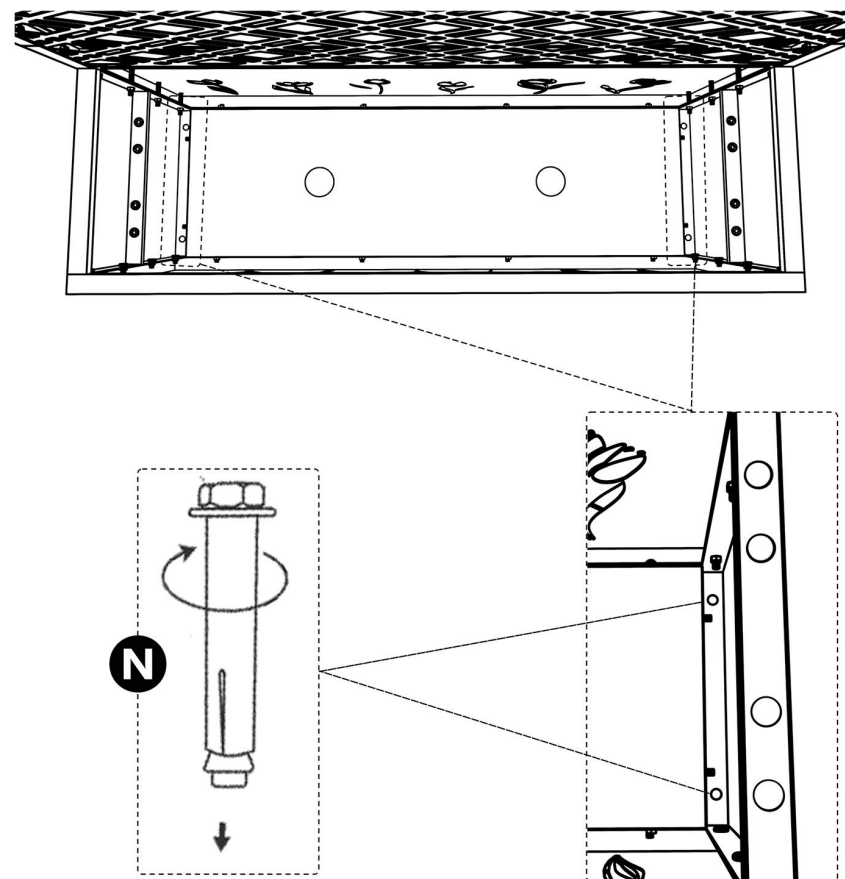
Assembly

7. Put the shelf G on the cross support H.



Assembly

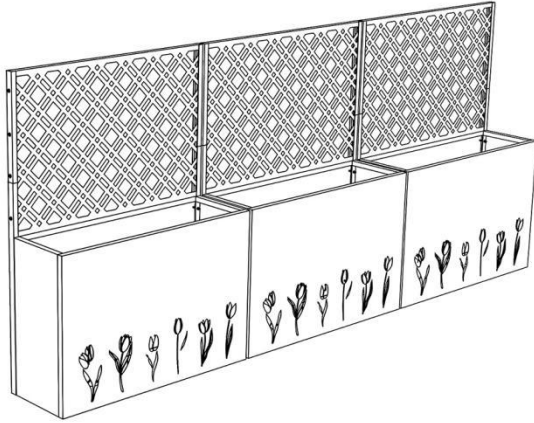
Use Hex-Head Sleeve Anchors to fix the planter box on solid ground if necessary.



Design

Multiple units can be combined to fit various usage needs.

Use 1.



--- END ---

Use 2.

