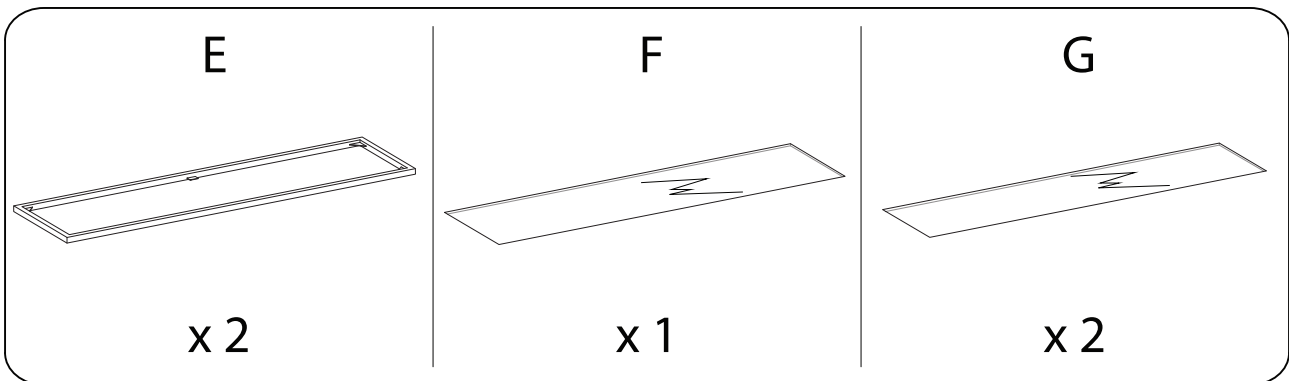
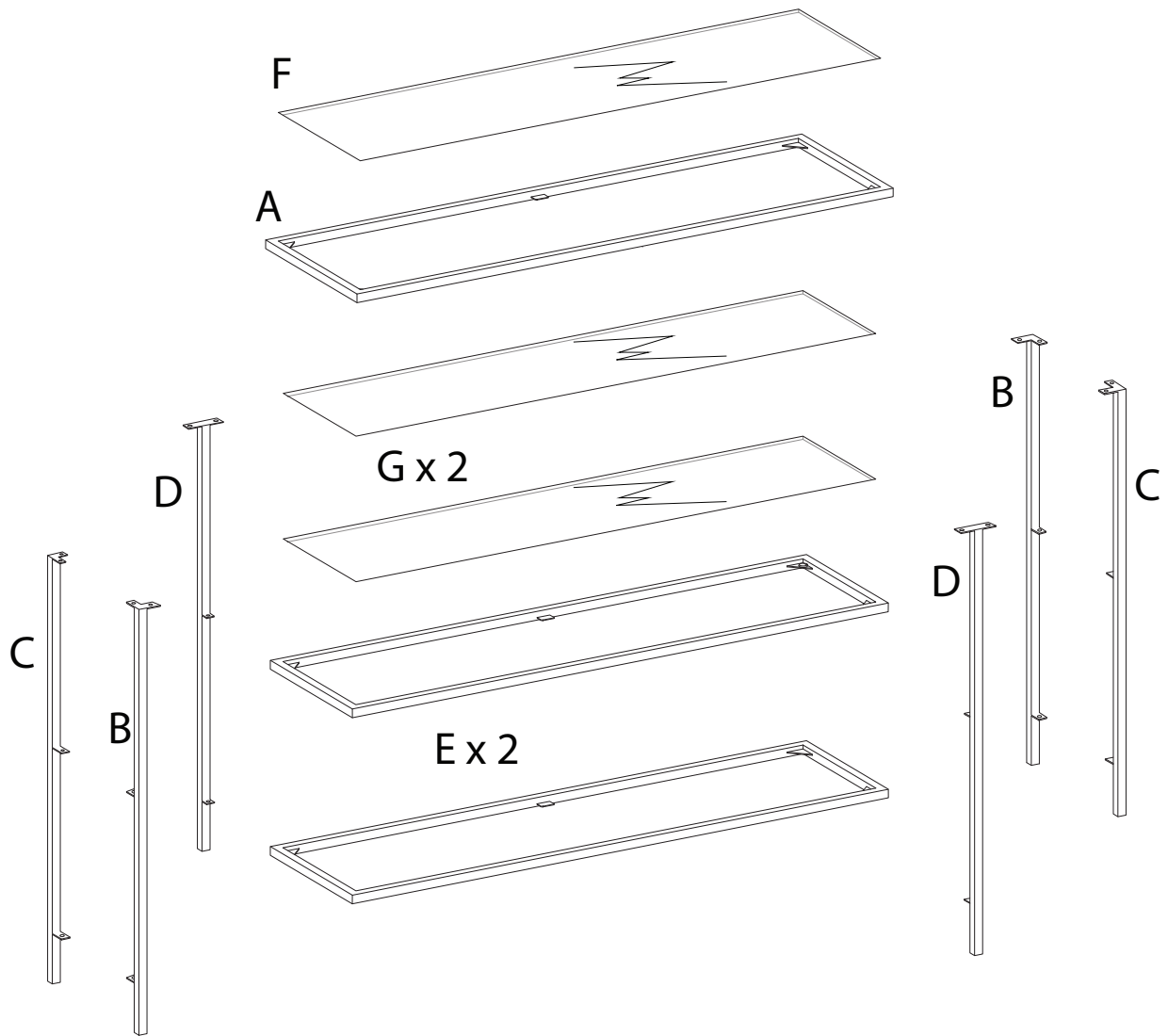
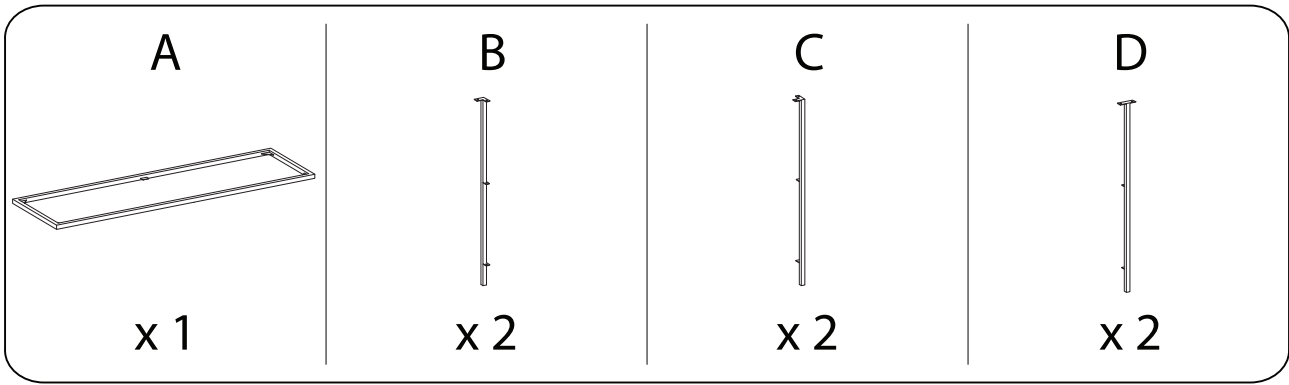
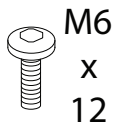

<p>2</p>		

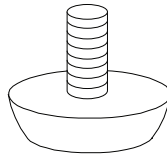


H



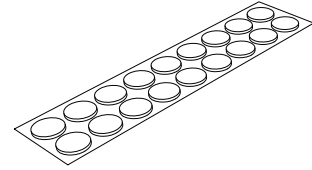
x 24

I



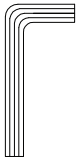
x 6

J



x 18

K



x 1

L



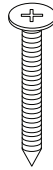
x 1

M



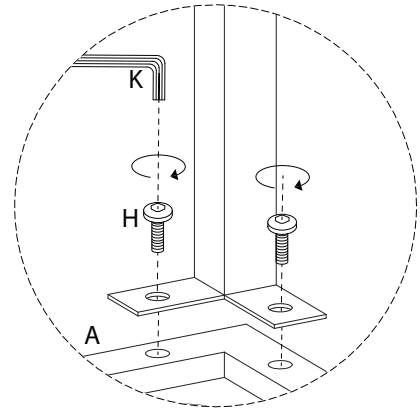
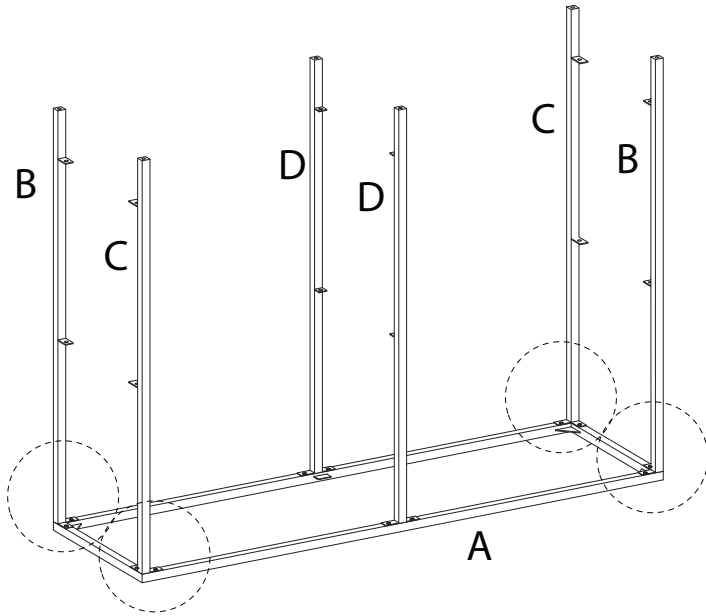
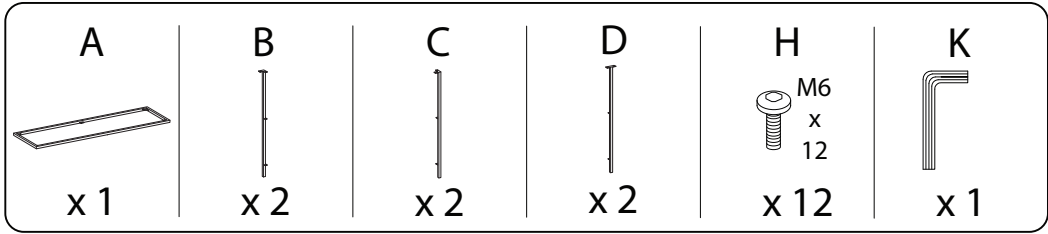
x 1

N

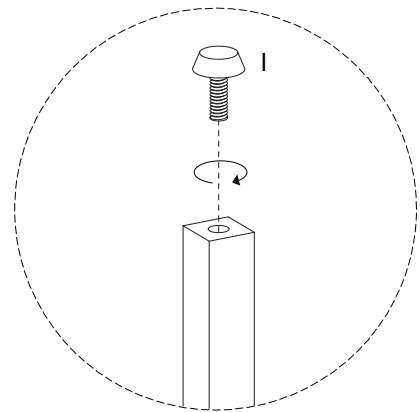
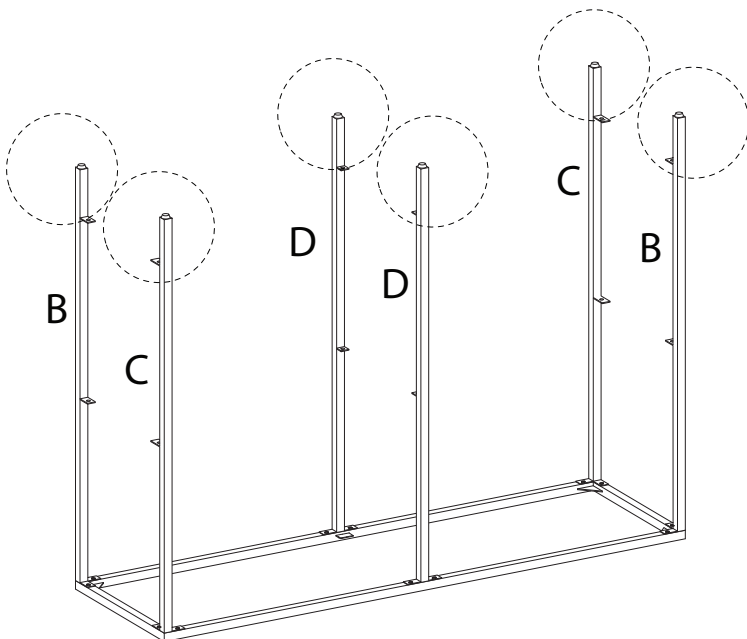
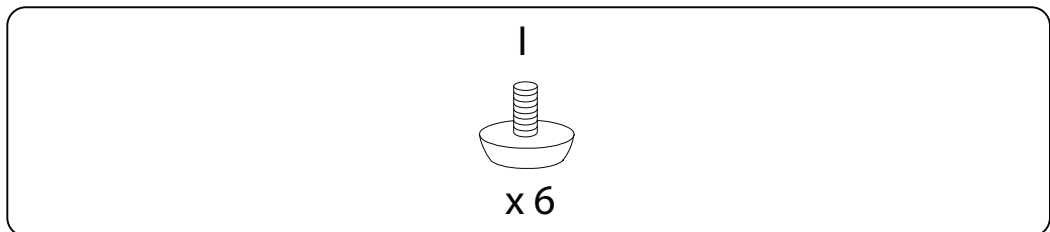


x 1

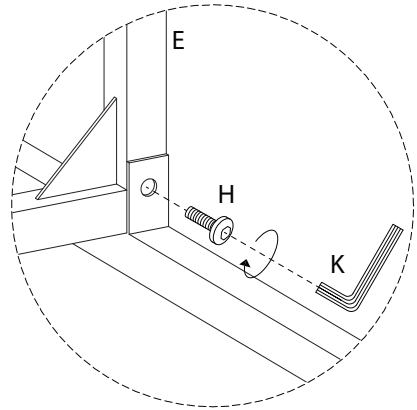
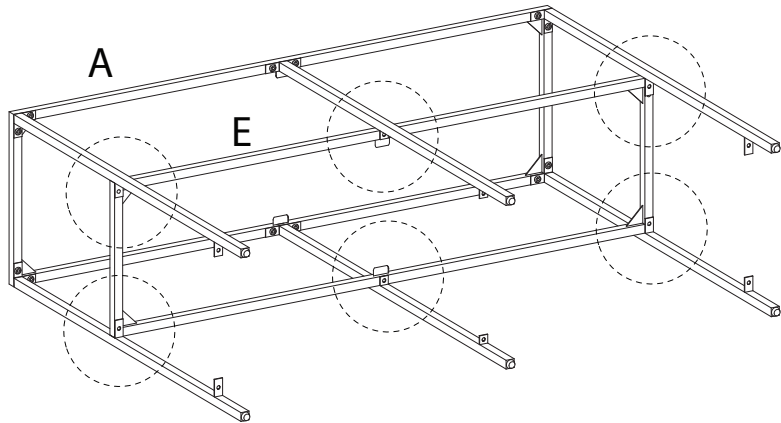
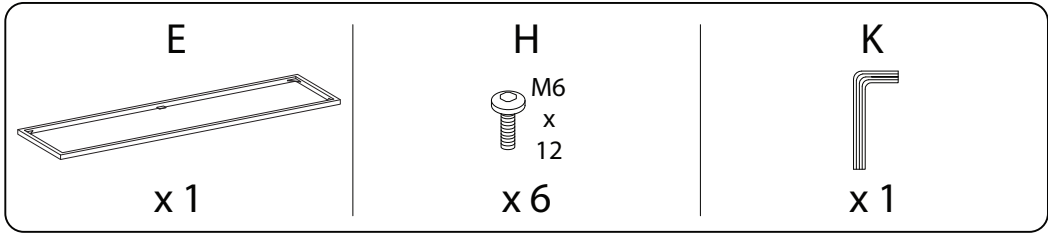
1



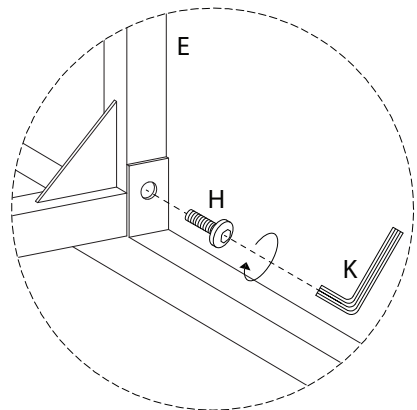
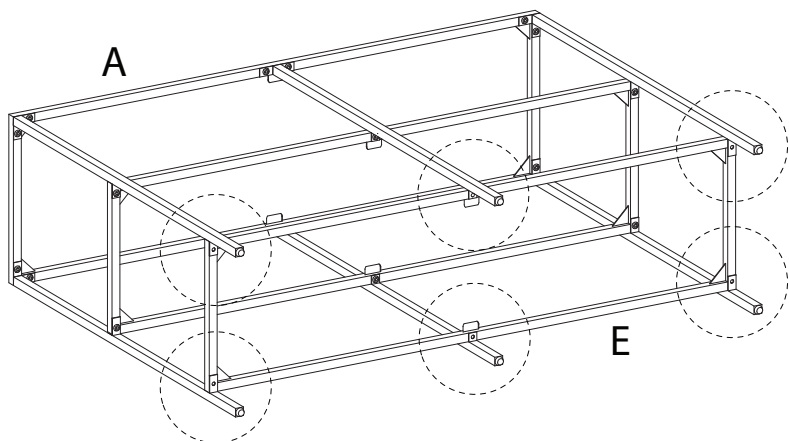
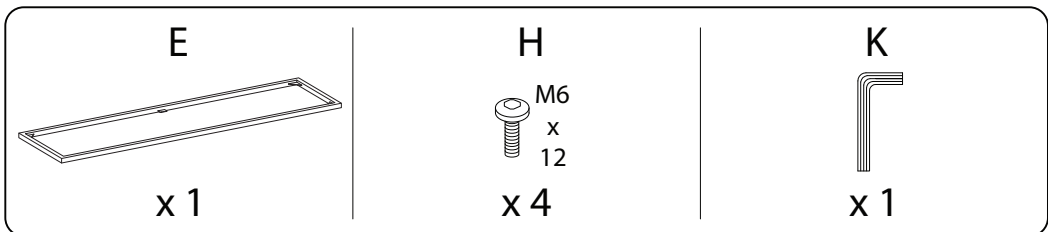
2



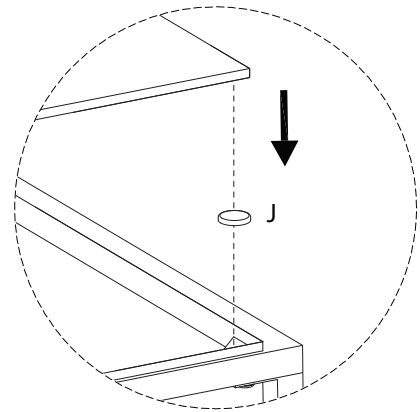
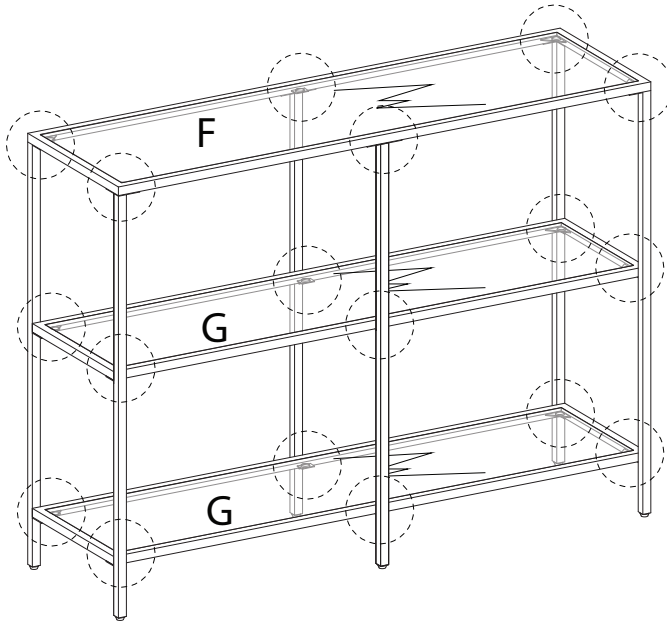
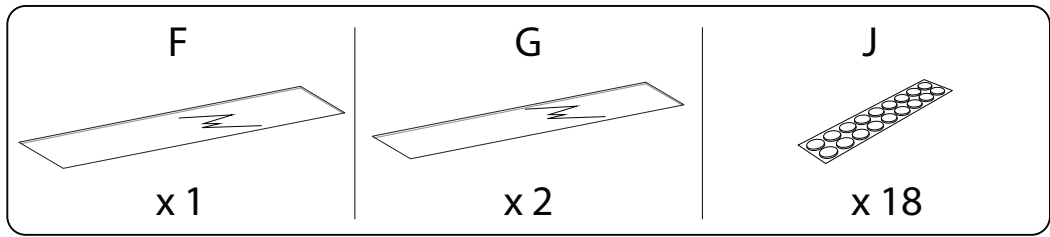
3



4



5



6

